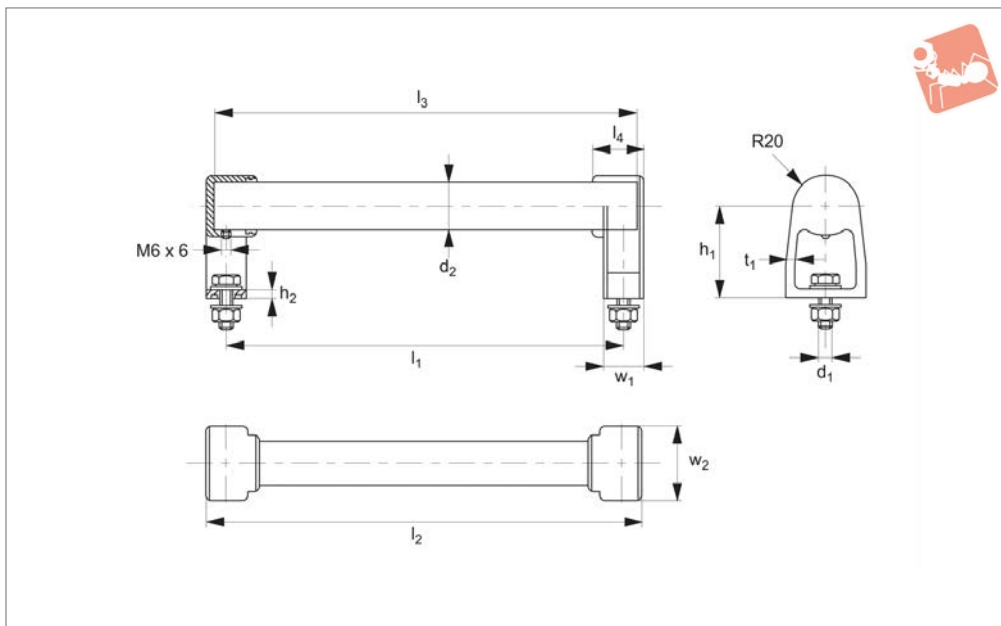




Pull Handles stainless steel



78800

PULL HANDLES

Material

Handle shank: cast stainless steel, G-X7 CrNiMoNb 18 10. Glass blasted, satin matt finish.

Connecting tube: stainless steel, X5 CrNi189, 1.4301. Ground and blasted.

Packing ring: food quality silicon rubber.

Technical Notes

Standard mounting type (front or rear): with hex screws to DIN 933, M 8x25, washers & nuts.

Safety mounting type (rear only): with bolts to DIN603, M8x25, washers & nuts. Long term temperature resistance -60°C to + 200°C. Minimum stress resistance >1000N.

Ideal for use in food industry applications.

Order No.	Mounting type	l_1	l_2	l_3	l_4	d_1	d_2 dia.	h_1	h_2	t_1	w_1	w_2
78800.W0200	Standard	200	225	215	32	M 8x25	30x1,5	60	5	5	25	48
78800.W0210	Safety	200	225	215	32	M 8x25	30x1,5	60	5	5	25	48
78800.W0250	Standard	250	275	265	32	M 8x25	30x1,5	60	5	5	25	48
78800.W0260	Safety	250	275	265	32	M 8x25	30x1,5	60	5	5	25	48
78800.W0300	Standard	300	325	315	32	M 8x25	30x1,5	60	5	5	25	48
78800.W0310	Safety	300	325	315	32	M 8x25	30x1,5	60	5	5	25	48
78800.W0350	Standard	350	375	365	32	M 8x25	30x1,5	60	5	5	25	48
78800.W0360	Safety	350	375	365	32	M 8x25	30x1,5	60	5	5	25	48
78800.W0400	Standard	400	425	415	32	M 8x25	30x1,5	60	5	5	25	48
78800.W0410	Safety	400	425	415	32	M 8x25	30x1,5	60	5	5	25	48
78800.W0500	Standard	500	525	515	32	M 8x25	30x1,5	60	5	5	25	48
78800.W0510	Safety	500	525	515	32	M 8x25	30x1,5	60	5	5	25	48
78800.W0600	Standard	600	625	615	32	M 8x25	30x1,5	60	5	5	25	48
78800.W0610	Safety	600	625	615	32	M 8x25	30x1,5	60	5	5	25	48

