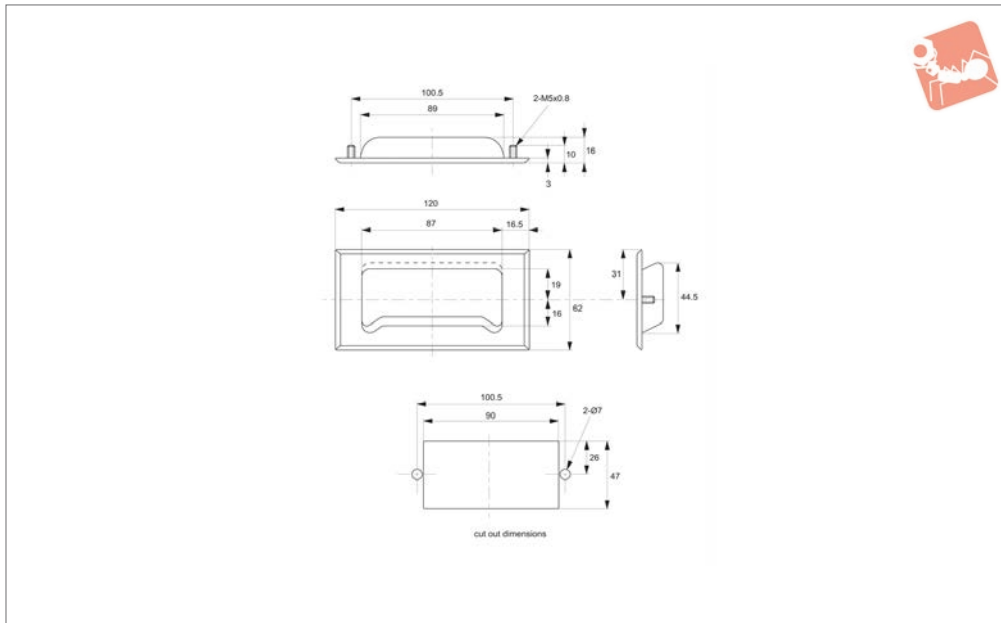




Recessed Pull Handles

stainless steel



79490

PULL HANDLES

Material

AISI 304 stainless steel, satin finish.

Technical Notes

Supplied with clear zinc chromate M 5 nuts.

Order No.	Finish	Weight
79490.W0010	Stainless Steel	g 50