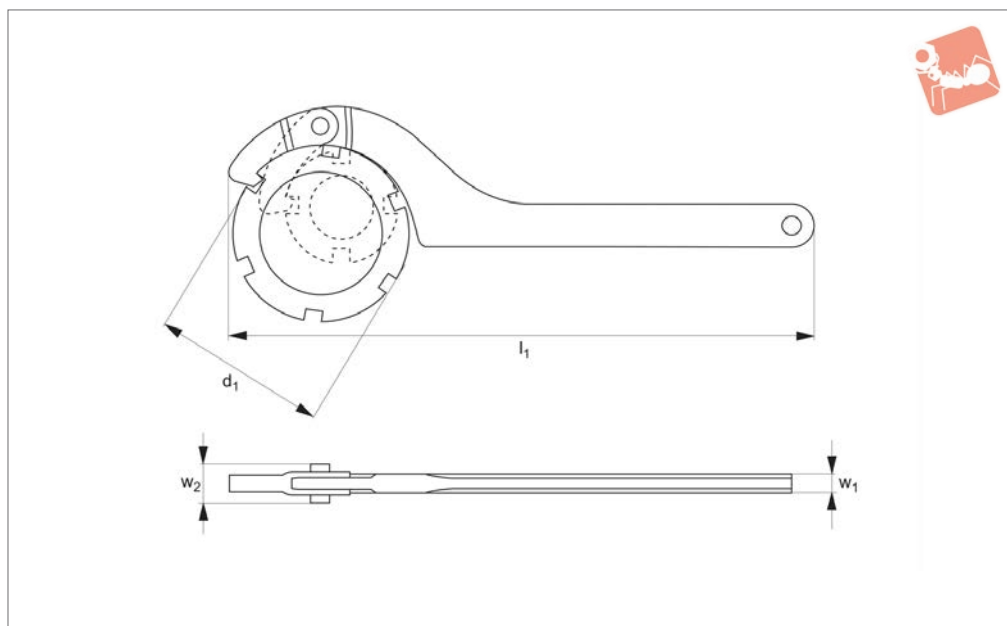




Hook Spanners - with Hook Nose hinge type - traditional

Spanners & Hook Spanners



95100

SPANNERS & HOOK SPANNERS

Material

Steel (C35/C45), hardened, blackened, or stainless steel.

Technical Notes

Spanners for adjustment of nuts to DIN 1804, DIN 981 and DIN 11851.

Rounded edges.

Order No.	Finish	d ₁ for nut Ø	Thread size of nut DIN 1804 M	Weight g
95100.W0035	Blackened steel	20-35	8-18	40
95100.W0060	Blackened steel	35-60	20-38	85
95100.W0070	Blackened steel	60-90	20-38	250
95100.W0075	Blackened steel	90-155	20-38	425
95100.W0080	Blackened steel	155-230	20-38	1015
95100.W0901	Stainless steel	20-35	8-18	35
95100.W0902	Stainless steel	35-60	20-38	75
95100.W0903	Stainless steel	60-90	40-60	185
95100.W0904	Stainless steel	90-155	58-110	320
95100.W0905	Stainless steel	155-230	105-170	860

Order No.	Thread size of nut DIN 981 M	DIN 11851-F DN	l ₁	w ₁	w ₂
95100.W0035	1-4	-	135	3	8
95100.W0060	5-8	-	175	4	11
95100.W0070	5-8	-	240	6	13
95100.W0075	5-8	-	300	7	15
95100.W0080	5-8	-	420	8	18
95100.W0901	1-4	-	135	3	8
95100.W0902	5-8	Oct-20	175	4	11
95100.W0903	9-13	25-40	240	5	13
95100.W0904	14-24	50-100	300	6	15
95100.W0905	24-36	125-150	420	8	18



Applications and Size Ranges Hook Wrenches DIN 1810A

95400

SPANNERS & HOOK SPANNERS

Size	DIN 1804	DIN 981	DIN 981	DIN 981	KMT	DIN 70852	DIN 11851-F
	M	M	KM	KML		M	DN
12 - 14	-	-	-	-	-	-	-
16 - 20	6 8	-	-	-	-	10	-
25 - 28	10 12	15 17	2 3	-	- 0	- 16	-
30 - 32	14 16	- 20	- 4	-	- 1	- 20	-
34 - 36	18 20	-	-	-	-	- 22	-
38 - 45	26	25 30	5 6	-	-	24 -	10 15
40 - 42	22 24	-	-	-	4 -	26 28	-
45 - 50	26 28 - 30	30 -	6 -	-	-	- 35	-
52 - 55	32 35	35 -	7 -	-	-	-	20
58 - 62	38 40 - 42	40 -	8 -	-	-	- 45	- 25
65 - 70	-	45 50	9 10	-	- 9	48 52	- 32
68 - 75	45 48 - 50	- 55	- 11	-	- 10	50 55	-
80 - 90	52 - 55 58 - 60	60 -	12 -	-	- 12	60 70	-
85 - 92	-	65 70	13 14	-	-	65 -	- 50
95 - 100	62 - 65 68 - 70	-	-	-	13 14	75 80	-
98 - 105	-	75 80	15 16	-	- 15	-	-
110 - 115	72 - 75 80	85 -	17 -	-	16 -	-	65
120 - 130	85 90	90 100	18 20	-	17 19	- 105	-
135 - 145	95 100	110 120	22 -	- 24	20 22	- 115	-
155 - 165	105 - 110 115 - 120	120 - 130 130 - 140	24 26	26 28	24 26	125 135	-
180 - 195	125 - 130 140	140 - 150 150	28 30	30 -	- 32	150 -	-
205 - 220	150 160	- 170 - 190	- 34	- 38	34 -	175 180	-
230 - 245	170 180	180 -	36 -	-	-	190 -	-
Size	DIN 1804	DIN 981	DIN 981				
	M	Tr	HM				
260 - 270	190 200	220x4 210x4	3044 42 T	-	-	-	-
280 - 300	-	220x4 140x4	44 T 48 T	-	-	-	-
300 - 320	-	240x4 250x4	48 T 50 T	-	-	-	-
320 - 345	-	250x4 -	50 T -	-	-	-	-
350 - 375	-	-	-	-	-	-	-
380 - 400	-	-	-	-	-	-	-
480 - 500	-	-	-	-	-	-	-