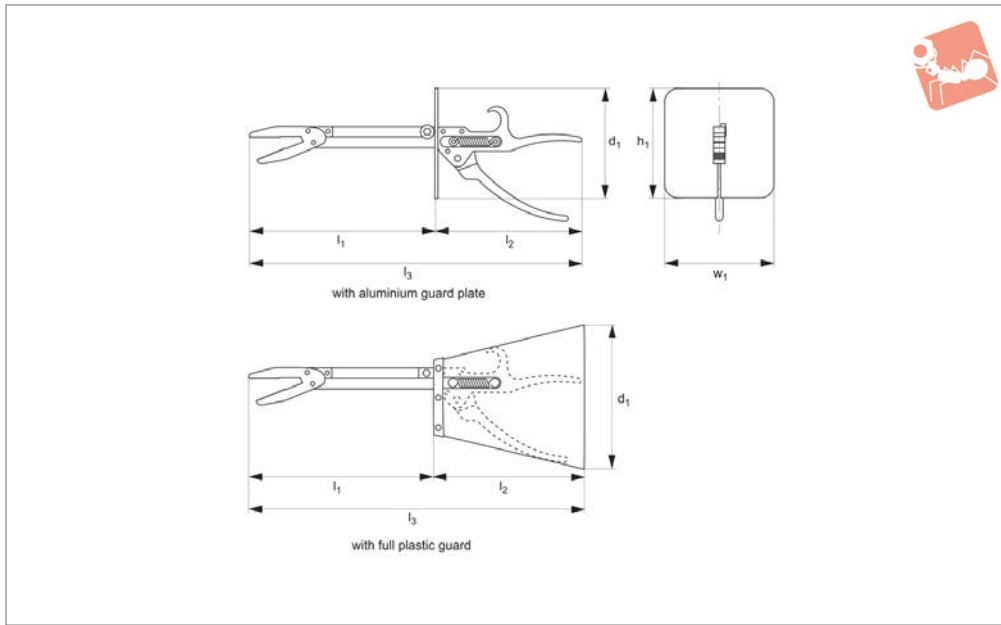




Chip Pincers with hand guard

Spanners & Hook Spanners



97060

SPANNERS & HOOK SPANNERS

Material

Handle and cutter: steel.
Guard: plastic or aluminium.

Important Notes

Take all necessary safety precautions when using this product in or around working

machinery. If in doubt shut down machinery.

Order No.	Guard material	d ₁	h ₁ x w ₁	l ₁	l ₂	l ₃
97060.W1025	Aluminium	-	85x85	175	155	330
97060.W1035	Plastic	180	-	175	180	355