

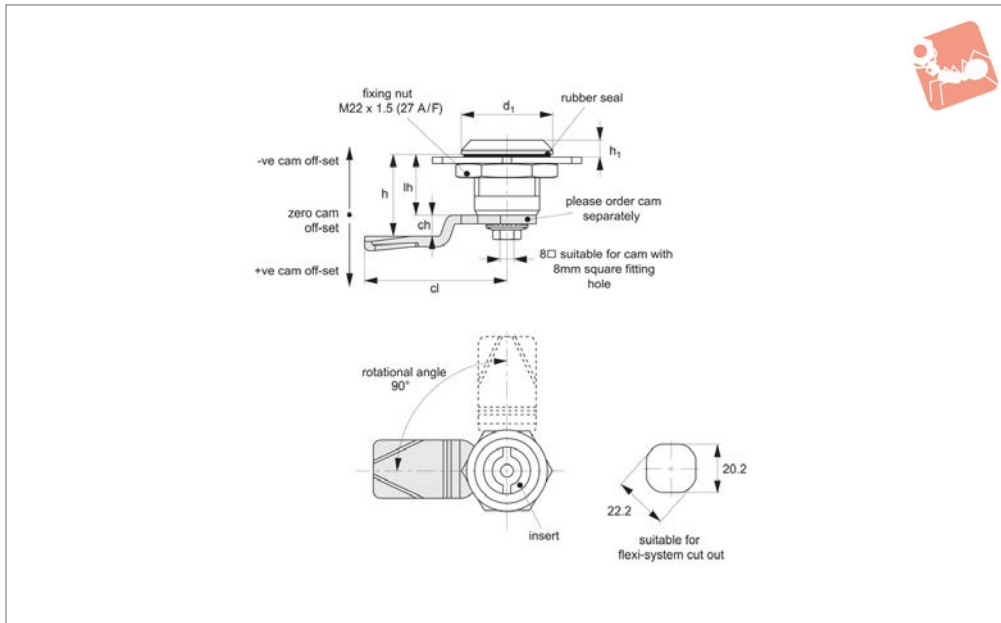


Cam Latches - Flexi-System

insert driver - fixed grip - plastic



Cam Latches



A1021

CAM LATCHES

Material

Body: polyamide plastic, black.
 Insert: zinc alloy, black coated. Fitted with O'ring to achieve IP54 rating. Internal spring provides 1,5mm torsion.
Supplied with: Nut: steel, zinc plated.
 Sealing washer: PU & Rubber.
Not supplied: CAM nor KEY - order separately.

Technical Notes

Order cam and key separately.

Cams: see suitable cam A0203, A0224 and A0240. Select „without projection“ cam type.
 Dimensions ch and cl relate to cam. Use formula to calculate ch (required cam off-set), and refer to cam selection chart;
ch = h - lh where;
ch = required cam off-set/height.
h = grip length (distance between inside of latch face and front of cam).
lh = body length of cam latch/lock to be

used (see product table below).

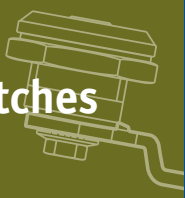
Keys: see A0102.

Rods & Guides: to achieve 3-point latching - A0303, A0321, A0325.

Important Notes

An inexpensive alternative to stainless steel, where water or other solutions may cause corrosion.
 Sold subject to pack quantity.

Order No.	Insert driver	d ₁	h ₁	lh
A1021.AW0010	Square 7	28	6	18
A1021.AW0020	Square 8	28	6	18
A1021.AW0040	Triangle 7	28	6	18
A1021.AW0050	Triangle 8	28	6	18
A1021.AW0060	3mm Double Bit	28	6	18
A1021.AW0070	4mm Double Bit	28	6	18
A1021.AW0080	Slotted (2x4)	28	6	18



CAM LATCHES

Available insert drivers:

Square 7	Square 8	Triangle 7	Triangle 8	3mm Double Bit	4mm Double Bit	2 x 4mm Slotted
