

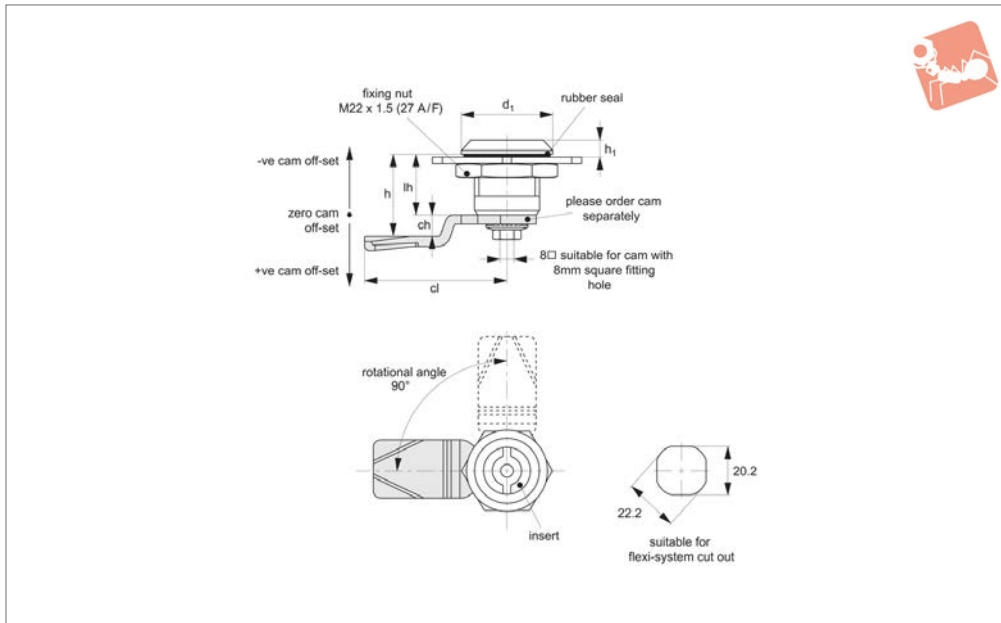


Cam Latches - Flexi-System

insert driver - fixed grip - stainless steel



Cam Latches



A1103

CAM LATCHES

Material

Body & Insert: stainless steel, AISI 304.
Insert fitted with O'ring to achieve IP54 rating. Internal spring provides 1,5mm torsion.

Supplied with: Nut: stainless steel.
Sealing washer: PU & Rubber.

Not supplied: CAM nor KEY - order separately.

Technical Notes

Order cam and key separately.

Cams: see suitable cam A0210. Select „without projection“ cam type.

Dimensions ch and cl relate to cam. Use formula to calculate ch (required cam off-set), and refer to cam selection chart;

$ch = h - lh$ where;

ch = required cam off-set/height.

h = grip length (distance between inside of latch face and front of cam).

lh = body length of cam latch/lock to be used (see product table below).

Keys: see A0102.

Rods & Guides: to achieve 3-point latching - A0303, A0321, A0325.

Order No.	Insert driver	d_1	h_1	lh
A1103.AW0020	Square 8	28	6	18
A1103.AW0040	Triangle 7	28	6	18
A1103.AW0050	Triangle 8	28	6	18
A1103.AW0060	3mm Double Bit	28	6	18
A1103.AW0070	4mm Double Bit	28	6	18

Available insert drivers:

Square 8	Triangle 7	Triangle 8	3mm Double Bit	4mm Double Bit