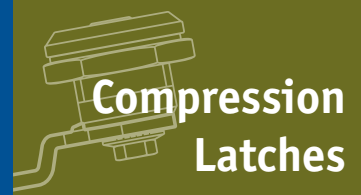




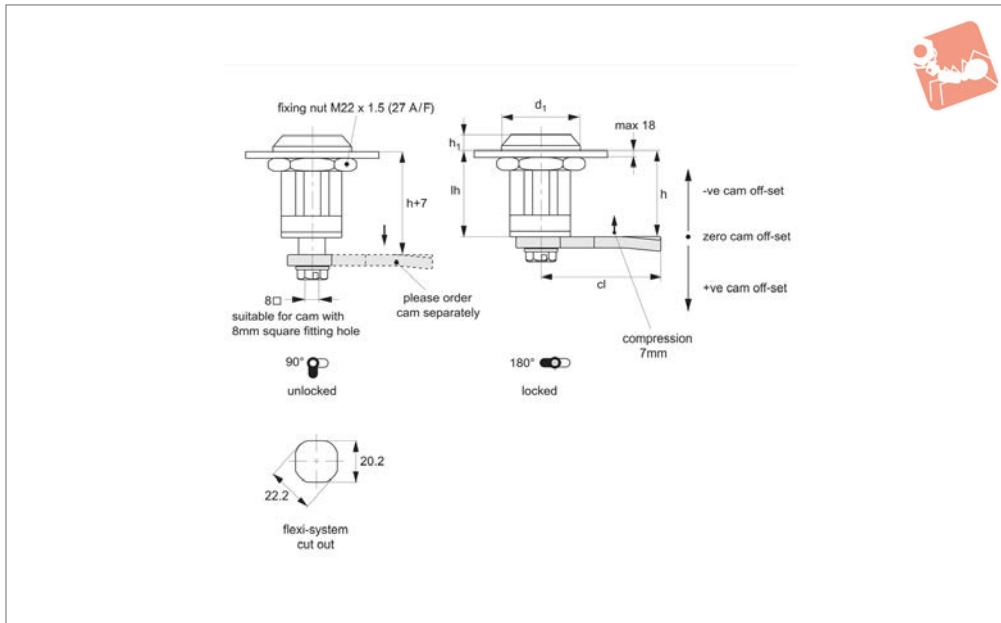
# Compression Latches - Flexi-System

insert driver - fixed grip - zinc



## A1601

COMPRESSION LATCHES



### Material

Body & insert: die cast zinc, finished in chrome plate or black powder coating.  
Insert fitted with O'ring to provide IP54 rating.

Handle: polyamide.

**Not supplied:** CAM nor KEY - order separately.

### Technical Notes

Order cam and key separately.

**Cams:** see suitable cam A0203 and A0224.

Select „without projection“ cam type.

Dimensions  $ch$  and  $cl$  relate to cam. Use formula to calculate  $ch$  (required cam off-set), and refer to cam selection chart;

**$ch = h - lh$**  where;

**$ch$**  = required cam off-set/height.

**$h$**  = grip length (distance between inside of latch face and front of cam).

**$lh$**  = body length of cam latch/lock to be used (see product table below).

**Keys:** see A0102.

### Tips

Compression locks provide sealing of enclosures to reduce vibration and to provide noise isolation.

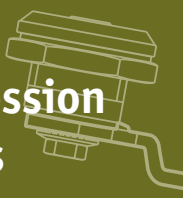
### Action:

From unlocked position, first 90° turn moves the cam to the locking position. Turn lock 180° to engage compression, cam moves to final fixing position.

**Provides a 7mm compression stroke.**

Order No.	Finish	Insert driver	$d_1$	$h_1$	$lh$
A1601.AW0020	Chrome Plated	Square 8	28	5.5	31
A1601.AW0320	Black Coated	Square 8	28	5.5	31
A1601.AW0040	Chrome Plated	Triangle 7	28	5.5	31
A1601.AW0340	Black Coated	Triangle 7	28	5.5	31
A1601.AW0050	Chrome Plated	Triangle 8	28	5.5	31
A1601.AW0350	Black Coated	Triangle 8	28	5.5	31
A1601.AW0080	Chrome Plated	Slot (2x4)	28	5.5	31
A1601.AW0380	Black Coated	Slot (2x4)	28	5.5	31
A1601.AW0085	Chrome Plated	Hexagon 8	28	5.5	31
A1601.AW0385	Black Coated	Hexagon 8	28	5.5	31

# Compression Latches



## Compression Latches - Flexi-System

insert driver - fixed grip - zinc



COMPRESSION LATCHES

