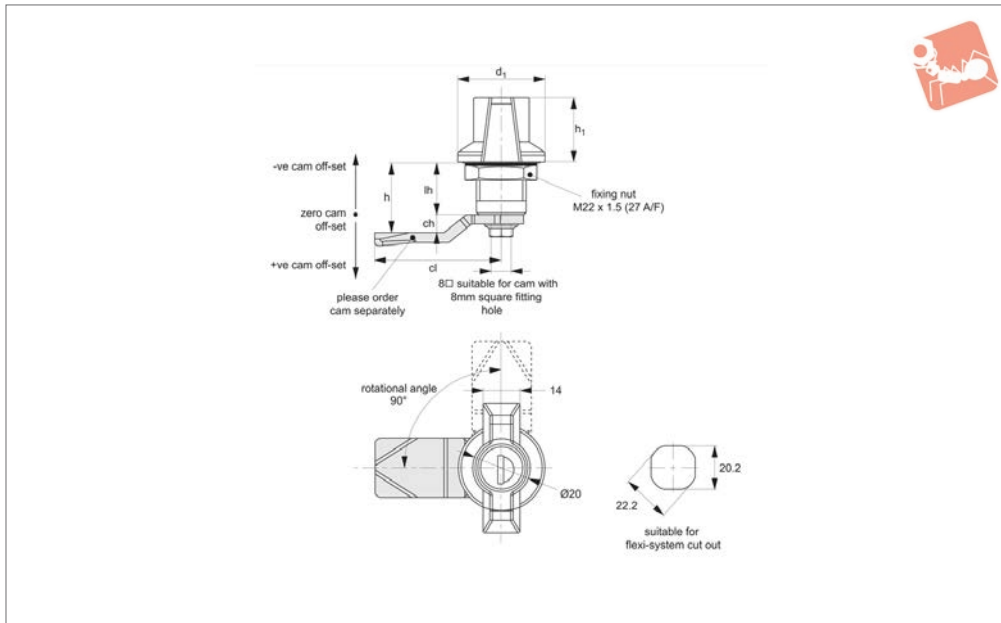


Cam Locks - Wing Handle

flexi-system - fixed grip - zinc



A2203

CAM LOCKS

Material

Body & insert: die cast zinc, finished in chrome plate or black powder coating. Fitted with O'ring to provide IP54 rating. Cylinder lock: die cast zinc, chrome plated. With dust cap to prevent material ingress.
Supplied with: Keys: two per lock.
Not supplied: CAM - order separately.

Technical Notes

Order cam separately.
Cams: see suitable cam A0203, A0224 and

A0240. Select „without projection“ cam type. Dimensions ch and cl relate to cam. Use formula to calculate ch (required cam off-set), and refer to cam selection chart;
 $ch = h - lh$ where;
 ch = required cam off-set/height.
 h = grip length (distance between inside of latch face and front of cam).
 lh = body length of cam latch/lock to be used (see product table below).

Rods & Guides: to achieve 3-point latching - A0303, A0321, A0325.

Tips

Quarter turn opening or closing. Wings act as actuation handle. Universal left and right.

Important Notes

Sold subject to pack quantity.

Order No.	Body finish	Key type	d_1	h_1	lh
A2203.AW0010	Chrome	Keyed Alike	30.5	23.6	18
A2203.AW0020	Chrome	Keyed to Differ	30.5	23.6	18
A2203.AW0310	Black Coated	Keyed Alike	30.5	23.6	18
A2203.AW0320	Black Coated	Keyed to Differ	30.5	23.6	18