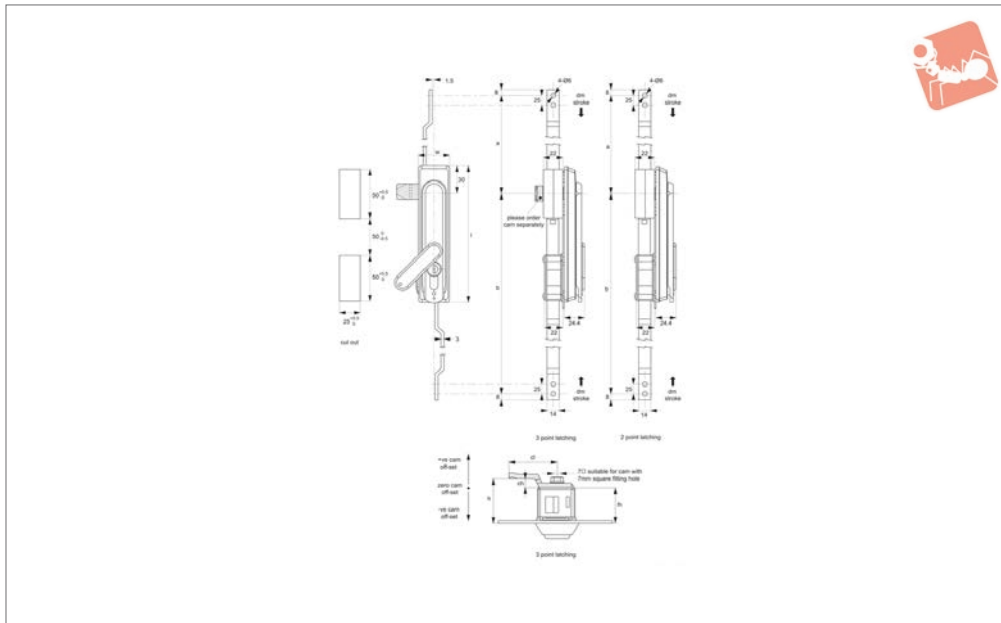




# Swing Handles - with Rod Control

40mm euro cylinder lock - dust cover - zinc or poly-

## Swing Handles



**B2082**

SWING HANDLES

### Material

**Type One:** Body & Handle: die cast zinc, black powder coated.

**Type Two:** Body: Polyamide PA6, black.  
Handle: die cast zinc, black powder coated.  
Cylinder lock: die cast zinc, chrome plated.  
Rod Control Mechanism: die cast zinc.

**Supplied with:** Keys: two per lock.

**Not supplied:** Cam: order separately.

### Technical Notes

All locks are **keyed alike**.

Order cam separately.

Three point latching model utilises rod control plus a cam.

Two point latching model cannot accommodate a cam.

**Cams:** see suitable cam A0215. Select „without projection“ cam type.

Dimensions ch and cl relate to cam. Use formula to calculate ch (required cam off-set), and refer to cam selection chart;

**ch = h - lh** where;

**ch** = required cam off-set/height.

**h** = grip length (distance between inside of

latch face and front of cam).

**lh** = body length of cam latch/lock to be used (see product table below).

**Rods & Guides:** to achieve 3-point latching - A0303, A0321, A0325.

### Tips

90° degree handle rotation combines with rod latch to open or close. Panel thickness 1-4mm. All the cast metal construction provides higher strength.

Order No.	Type	Body	Handle	Latching type	l	Padlockable	w	lh	a	b	dm stroke
<b>B2082.AW0010</b>	One	Zinc	Zinc	2 point	160	No	34	23	122	196	15
<b>B2082.AW0020</b>	One	Zinc	Zinc	2 point	160	Yes	34	23	196	122	15
<b>B2082.AW0110</b>	One	Zinc	Zinc	3 point	160	No	34	23	122	196	15
<b>B2082.AW0120</b>	One	Zinc	Zinc	3 point	160	Yes	34	23	196	122	15
<b>B2082.AW0310</b>	Two	Polyamide	Zinc	3 point	160	No	34	23	196	122	15
<b>B2082.AW0320</b>	Two	Polyamide	Zinc	3 point	160	Yes	34	23	196	122	15