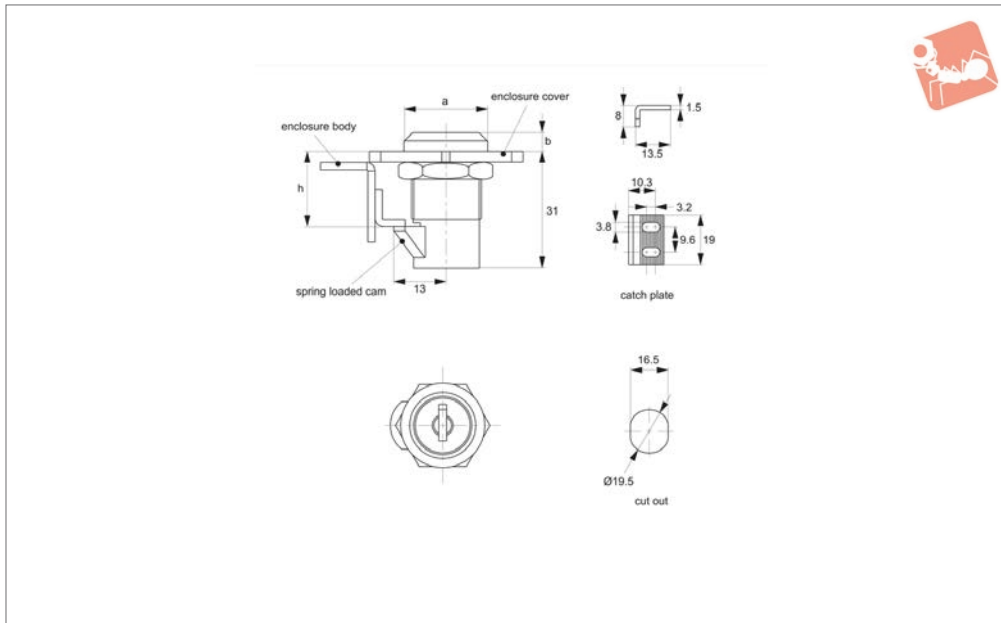




Push Lock - Spring Loaded Cam

standard cylinder lock - fixed grip - zinc

Catches & Latches



E1604

CATCHES & LATCHES

Material

Body & insert: die cast zinc, chrome plated.
Cylinder lock: die cast zinc, chrome plated with dust cap.

Supplied With: Keys: two per lock.

Not supplied: Catch plated: order separa-

tely.

Technical Notes

On closing of panel, special contour of the spring loaded cam allows it to be guided over the catch plate, then springs back to

lock in place. To open panel, actuate key to release cam and pull. Cam has stroke of approx. 8 mm. Order catch plate separately.

Order No.	Actuation	Lock type	Key type	a	b	h grip length
E1604.AW0010	Push Lock	Std. Cylinder	Keyed Alike	22.5	5	20