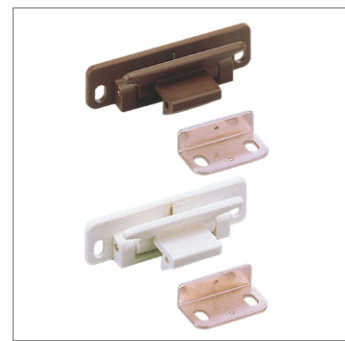
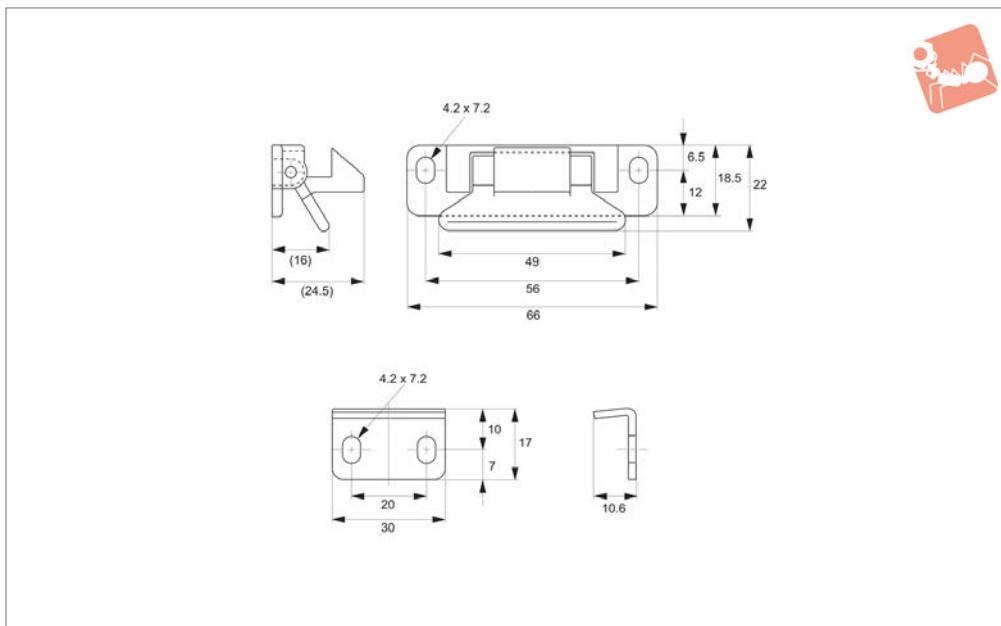




# Lever Catches

finger tip control

# Catches & Latches



**E2001**

CATCHES & LATCHES

**Material**

Body: polyamide.  
Counterplate: steel.

**Technical Notes**

Designed for use on door/ panel without handle or knob, to provide concealed

locking of panel.  
Screws not supplied.

Order No.	Finish	Holding force kg	Weight g
E2001.AC0010	White	20	25
E2001.AC0020	Brown	20	25

