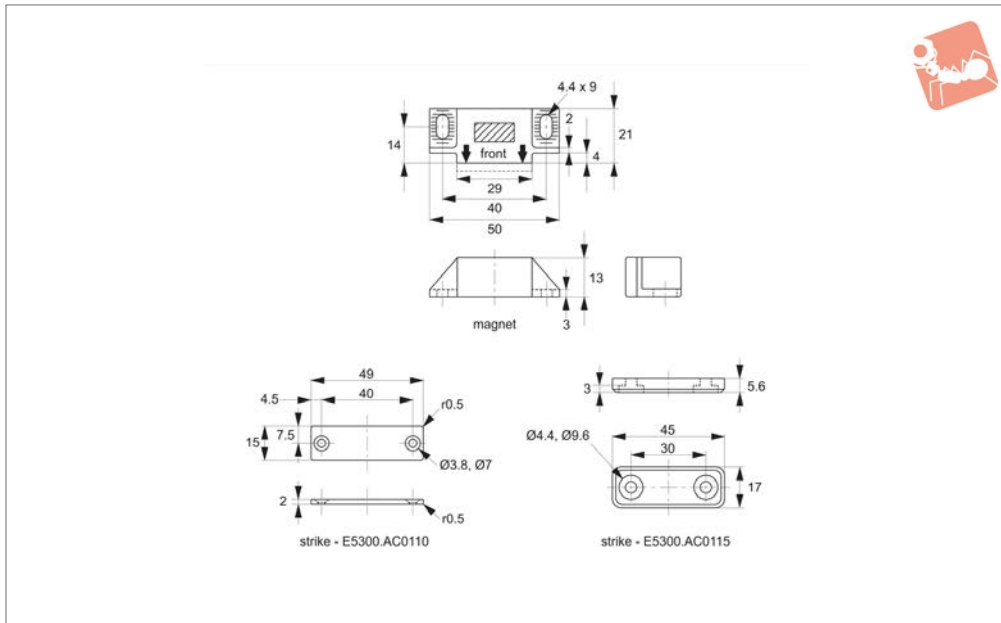




# Magnetic Catches - Hermetically for clean room and medical environments

## Catches & Latches



### E5300

CATCHES & LATCHES

#### Material

Body: polyacetal.  
Magnet: neodymium.  
Strike plate: stainless steel, AISI 304,

especially treated for magnetism; or sealed  
strike plate in polyacetal.

#### Technical Notes

For clean room and medical environment,  
hermetically sealed.

Order No.	Type	Magnetic force kgf	Finish	Weight g
E5300.AC0010	Magnet	3	White	21.0
E5300.AC0020	Magnet	3	Black	21.0