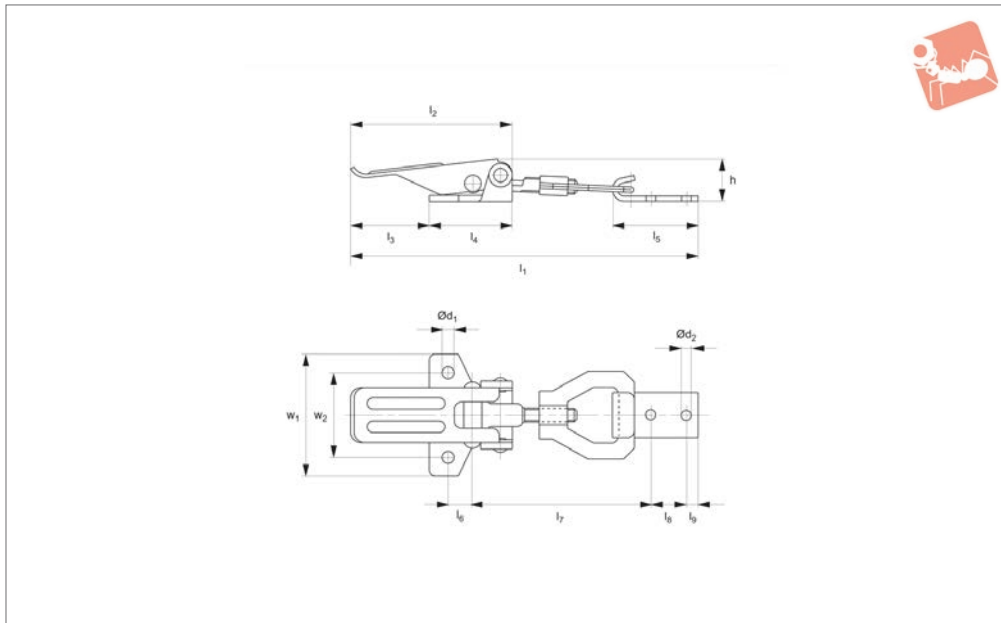




Toggle Latches

adjustable, stainless steel

Draw Latches



J0520

DRAW LATCHES

Material

Steel, Fe P02 + P12, UNI5866, zinc plated.
Or stainless steel AISI 304, UNI x5crNi.

Technical Notes

Supplied with counter strike.
Draw length adjustable through turns of

threaded draw rod, giving 12mm length of adjustment.

Order No.	Finish	l_1	h	w_1	$\varnothing d_1$	$\varnothing d_2$	l_2	l_3	l_4	Weight g
J0520.AC0004	Zinc Plated Steel	138 to 150	18	52	5.2	4.1	67.5	33	35	110
J0520.AC0030	Stainless Steel	138 to 150	18	52	5.2	4.1	67.5	33	35	110

Order No.	l_5	l_6	l_7	l_8	l_9	Load N max.	Tension N max.	w_2	w_3
J0520.AC0004	36	10	68 to 80	15	5	1100	2500	36	19
J0520.AC0030	36	10	68 to 80	15	5	1100	2500	36	19