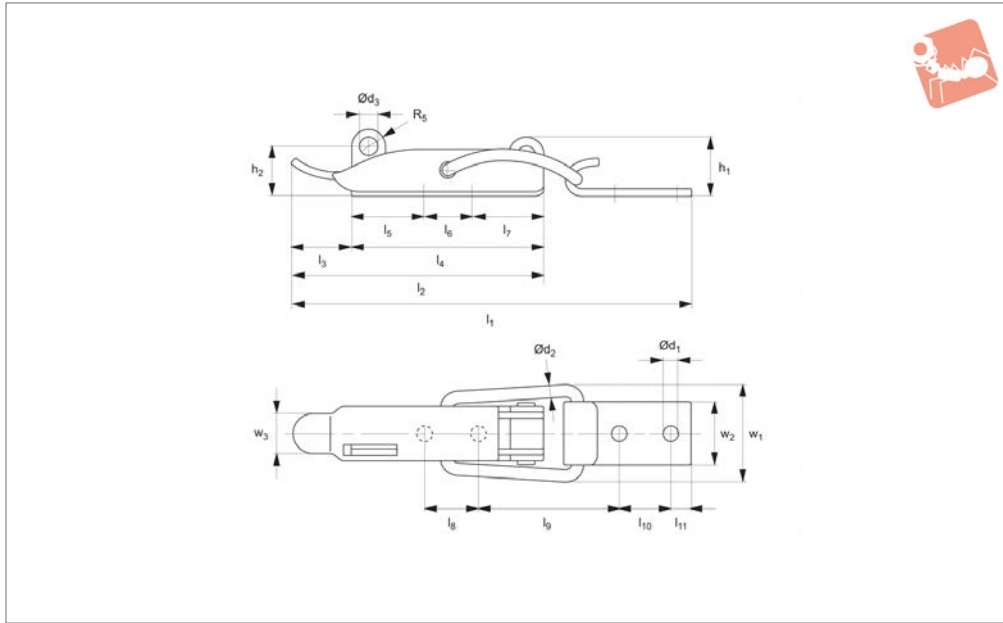




Toggle Latches

with padlock shackle, **stainless steel**

Draw Latches



J0552

DRAW LATCHES

Material

Steel, Fe P02 + P12, UNI5866, zinc plated.
Or stainless steel AISI304, UNI x5crNi.

Technical Notes

Supplied with counter strike. Use a padlock of 5,5mm dia. or less.

Order No.	Finish	l_1	h_1	w_1	$\varnothing d_1$	$\varnothing d_2$	$\varnothing d_3$	h_2	l_2	l_3	l_4	Weight g
J0552.AC0004	Zinc Plated Steel	114	17	28	4.1	3	5.5	14	72	17	55	55
J0552.AC0030	Stainless Steel	114	17	28	4.1	3	5.5	14	72	17	55	55

Order No.	l_5	l_6	l_7	l_8	$l_9 \pm 0.5$	l_{10}	w_2	w_3	l_{11}	Load N max.	Tension N max.
J0552.AC0004	21	15.5	18.7	15.5	40.5	15	19	12	5	1000	2500
J0552.AC0030	21	15.5	18.7	15.5	40.5	15	19	12	5	1000	2500