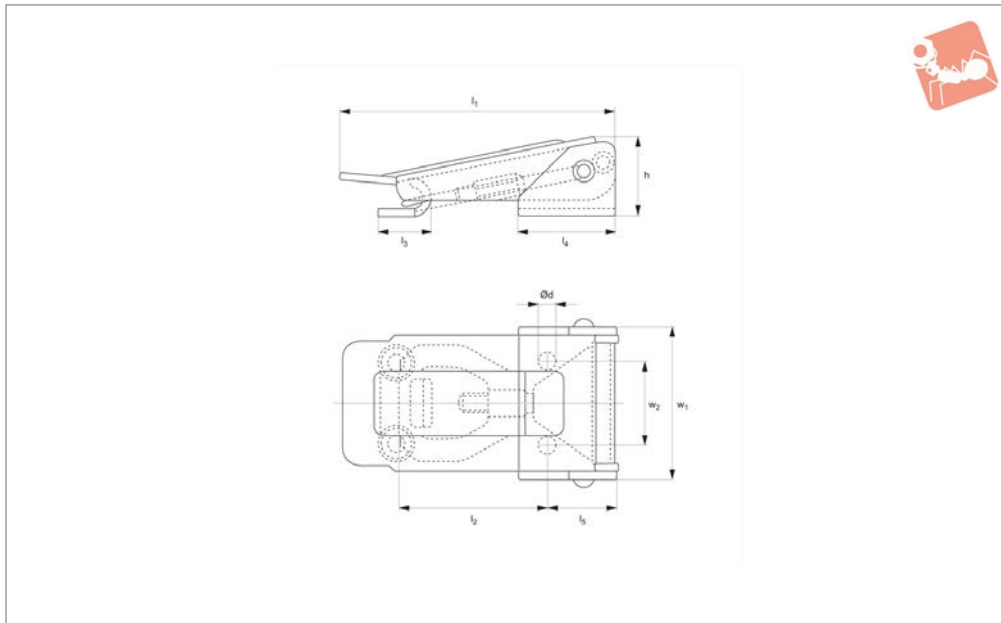
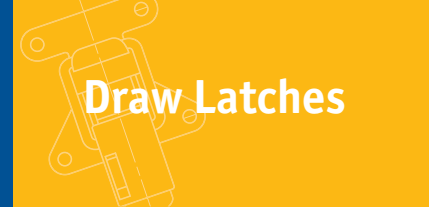




Toggle Latches

adjustable, stainless steel

Draw Latches



J0560

DRAW LATCHES

Material

Steel, Fe P02 + P12, UNI5866, zinc plated.
Or stainless steel AISI 304, UNI x5crNi.

Technical Notes

Supplied with counter strike.
Draw length adjustable through turns of

threaded draw rod, giving 12mm length of adjustment.

Order No.	Finish	l_1	h	w_1	$\varnothing d$	l_2	Weight g
J0560.AC0004	Zinc Plated Steel	88	26	48.5	5.5	48 to 60	160
J0560.AC0030	Stainless Steel	88	26	48.5	5.5	48 to 60	160

Order No.	l_3	l_4	l_5	Load N max.	Tension N max.	w_2
J0560.AC0004	17	31	22	1500	3000	26
J0560.AC0030	17	31	22	1500	3000	26