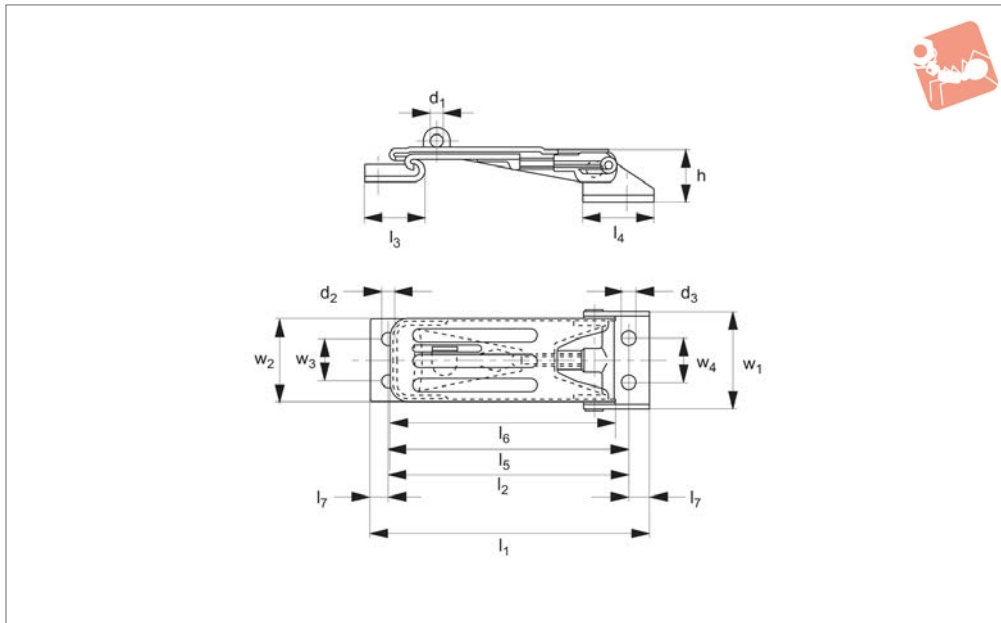




Toggle Latches

adjustable with padlock shackle

Draw Latches



J0590

DRAW LATCHES

Material

Steel, Fe P02 + P12, UNI5866, zinc plated.

Technical Notes

Supplied with counter strike.

Draw length adjustable through turns of threaded draw rod, giving 12mm length of adjustment.
Use padlock of 6mm dia. or less.

| Order No. | Finish | l_1 | h | w_1 | d_1 | $\emptyset d_2$ | $\emptyset d_3$ | l_2 | l_3 | Weight g |
|--------------|-------------|------------|-------|-------|-------|-----------------|-----------------|-------------|----------------|----------|
| J0590.AC0008 | Zinc Plated | 135 to 150 | 23 | 45.5 | 6 | 6.6 | 7.1 | 115 to 130 | 30.7 | 190 |
| Order No. | l_4 | l_5 | l_6 | l_7 | w_2 | w_3 | w_4 | Load N max. | Tension N max. | |
| J0590.AC0008 | 35 | 131.5 | 114 | 10 | 40 | 22 | 22 | 2000 | 4000 | |