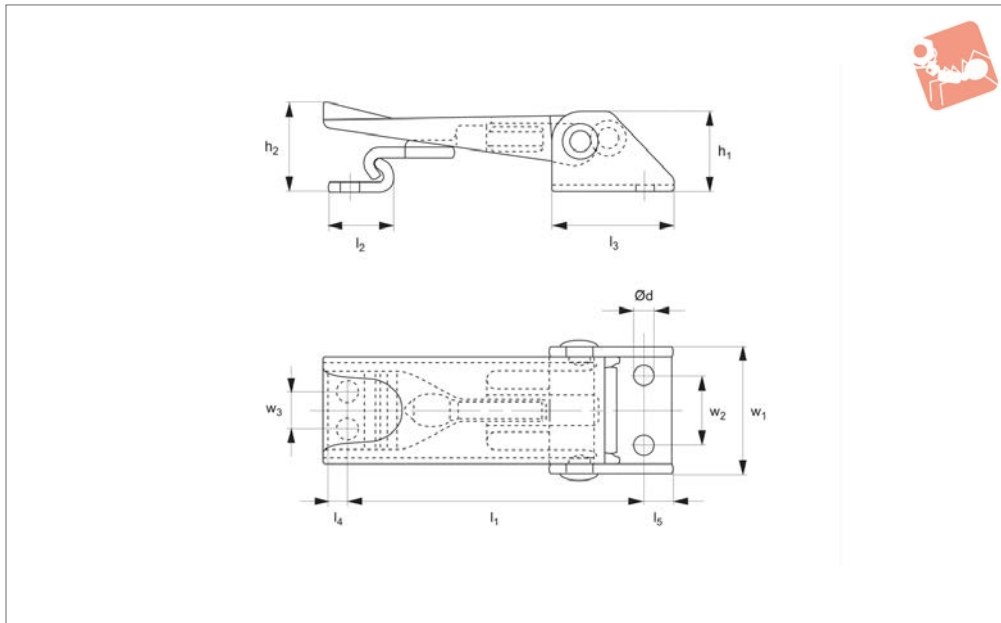




# Toggle Latches

adjustable, stainless steel

# Draw Latches



**J0600**

DRAW LATCHES

**Material**

Steel, Fe P02 + P12, UNI5866, zinc plated.  
Or stainless steel AISI 304, UNI x5crNi.

**Technical Notes**

Supplied with counter strike.  
Draw length adjustable through turns of

threaded draw rod, giving 10mm length of adjustment.

Order No.	Finish	$l_1$	$h_1$	$w_1$	$\varnothing d$	$h_2$	Weight g
J0600.AC0008	Zinc Plated	60 to 70	16	25.5	4.2	18	55
J0600.AC0030	Stainless Steel	60 to 70	16	25.5	4.2	18	55

Order No.	$l_2$	$l_3$	$l_4$	$l_5$	Load N max.	Tension N max.	$w_2$	$w_3$
J0600.AC0008	14	25	4	6	1000	1400	14	8
J0600.AC0030	14	25	4	6	1000	1400	14	8