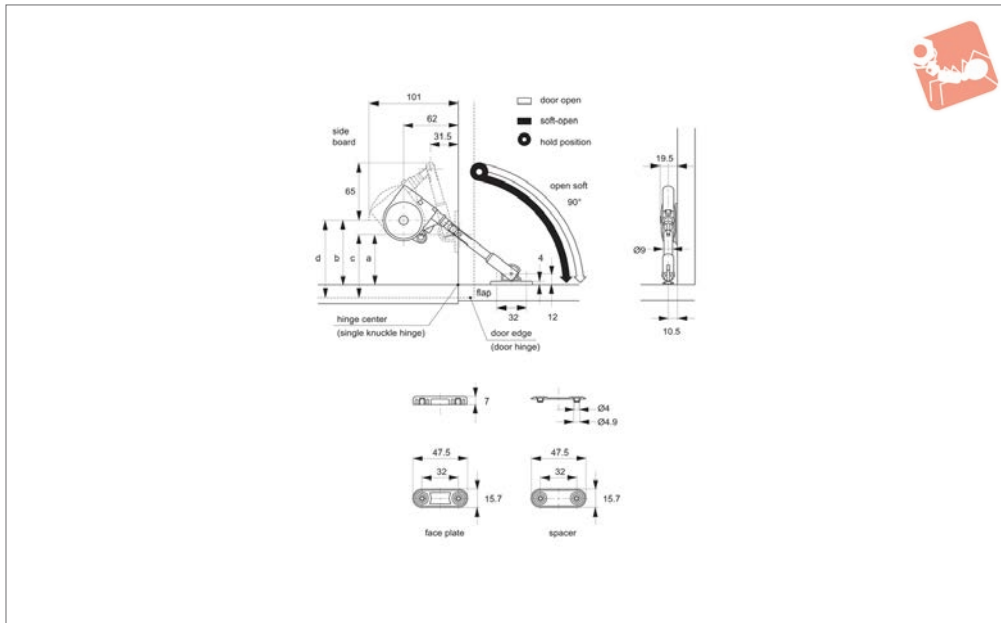




Short Arm Soft-Opening Stays - for 90° opening angle - for TV/DVD and Hi-fi Cabinets

Soft & Spring Stays



N0060

SOFT & SPRING STAYS

Material

Arm: zinc alloy, steel, bright nickel finish.
 Body: plastic.
 Mounting plate: zinc alloy, steel, bright nickel finish.

Technical Notes

For use with lids which are downward opening, with single knuckle or drop hinges. Short arm makes this stay suitable for low height applications such as TV/DVD and Hi-fi applications.
 Designed to control speed at which a suitable lid opens, for smooth controlled motion.
 Opening angle of 90°. Temperature range

0° to 40°C.

„With catch“ type has catch to hold lid in closed position. „W/o catch“ type requires external catch, such as a magnetic or touch latch, to retain lid.

Stay has sprung elbow section which must be released prior to closing lid - please take care not to catch fingers when handling.

Tips

Supplied with mounting plate. Please order coverplate, to your desired colour serately. Optional cover plates available for glass door applications, please order separately.

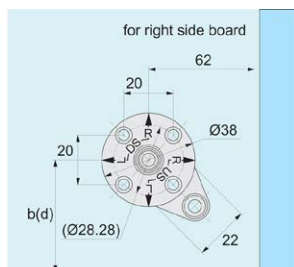
Important Notes

For use with relatively light weight cabinet or furniture lids. Improper application, or use on a lid not within recommended size and load bearing value, may lead to stay being overcome and slamming of lid. Application must be within both the min. and max. load bearing value of the stay, see above table for load bearing capacity when using stays as single or in pairs.

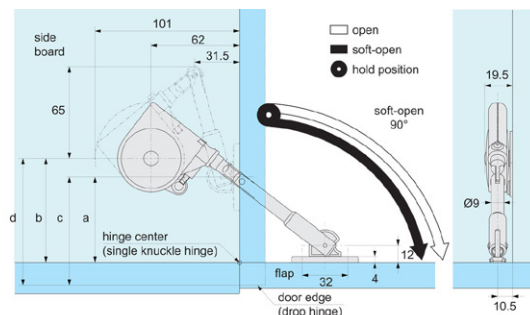
Check Load Bearing Value (T):

T (Load Bearing Value of stay Kg/cm) = $1/2$ Door Height cm x Door Weight Kg.

Order No.	Type	Colour	Acceptable load bearing single kg/cm min. max.	Acceptable load bearing pair kg/cm min. max.	Weight g
N0060.AC0010	W/o Catch	White	0,5 to 12,0	10 to 24	140
N0060.AC0020	W/o Catch	Black	0,5 to 12,0	10 to 24	140
N0060.AC0110	With Catch	White	0,5 to 12,0	10 to 24	140
N0060.AC0120	With Catch	Black	0,5 to 12,0	10 to 24	140



Mounting plate installation



Soft down stay installation