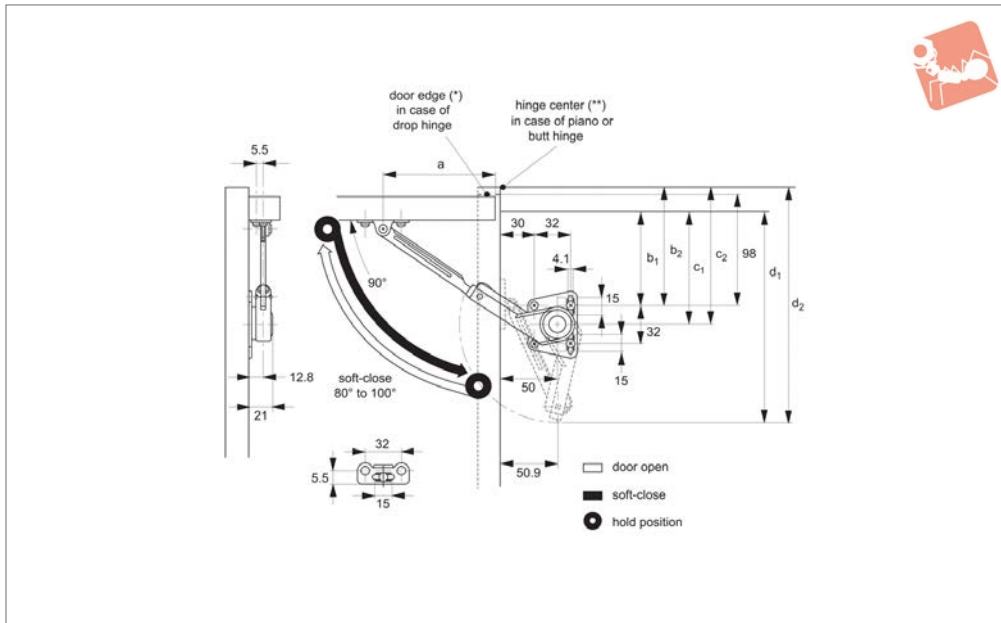




Soft-Closing Stays - for Upward

80° - 100° opening angle

Soft & Spring Stays



N0350

SOFT & SPRING STAYS

Material

Zinc alloy, steel,
bright nickel finish.
Supplied with screws (3,5x15)

Technical Notes

For use with lids which are upward opening, with piano, butt or drop hinges. Designed to control speed at which a suitable lid closes and hence prevent lid slamming shut. Opening angle of 80° - 100°. Temperature range - 0° to +40°C. Speed of closure adjustable via screw located at end of stay.

Stay has a sprung elbow section which must be released prior to closing lid -

please take care not to catch fingers when handling.

Important Notes

For use with relatively light weight cabinet or furniture lids. Improper application, or use on a lid not within recommended size and load bearing value, may lead to stay being overcome and slamming of lid.

1) Check Lid Size:

If using only one stay- max. lid width 35cm AND must be within load bearing capacity (T) of the stay, check calculation below.

If using two stays-max. lid width 120cm

AND must be within load bearing capacity (T) of the stay, check calculation below.

2) Check Load Bearing Value (T):

T (Load Bearing Value of stay Kg/cm) = $1/2$ Door Height cm x Door Weight Kg

If using only one stay-

Acceptable load bearing (T) between min. 20 to max 70 Kg/cm.

If using two stays-

Acceptable load bearing (T) between min. 40 to max 140 Kg/cm.

Order No.	Type	Acceptable load bearing single		Acceptable load bearing pair		Weight g
		kg/cm min.	kg/cm max.	kg/cm min.	kg/cm max.	
N0350.AC0010	Left	20	70	40	140	210
N0350.AC0110	Right	20	70	40	140	210

