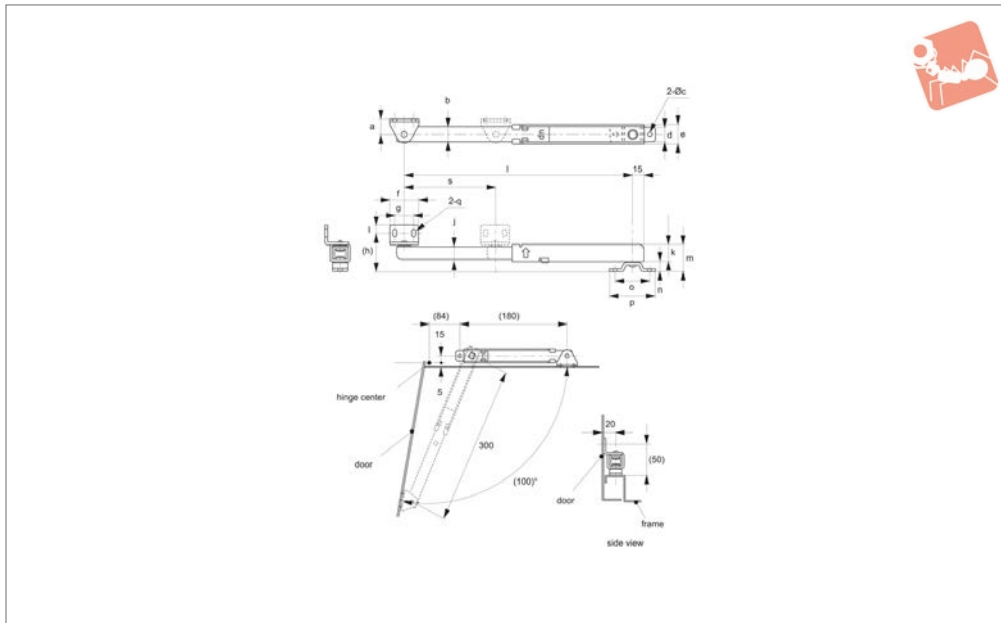




Door Stays

foot release - 100° opening

Lid & Door Stays



N2050

LID & DOOR STAYS

Material

Steel, yellow zinc chromate.

Install at base of door for quick foot release.

Important Notes

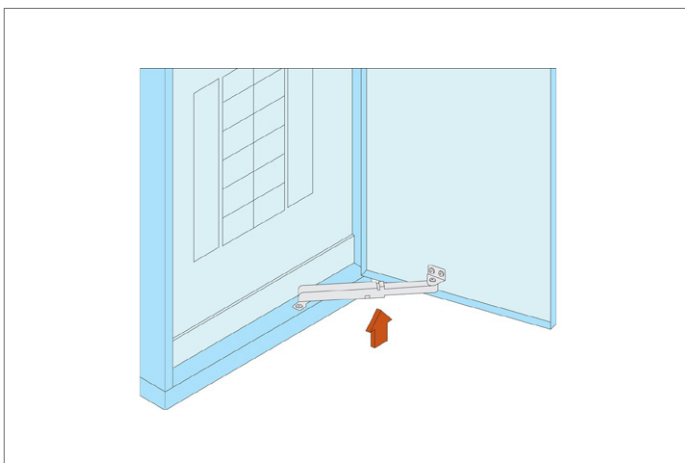
Check max. tensile force for load bearing capacity.

Technical Notes

Mechanically locks door when fully open.

Order No.	a	b	c	d	e	f	g	h	i	Weight g
N2050.AC0005	15	15.9	5.5	17	20.0	33	20	42	8	205
N2050.AC0010	20	20.0	5.5	20	25.5	38	25	50	10	433
N2050.AC0020	20	20.0	9.0	20	25.5	38	25	50	10	460

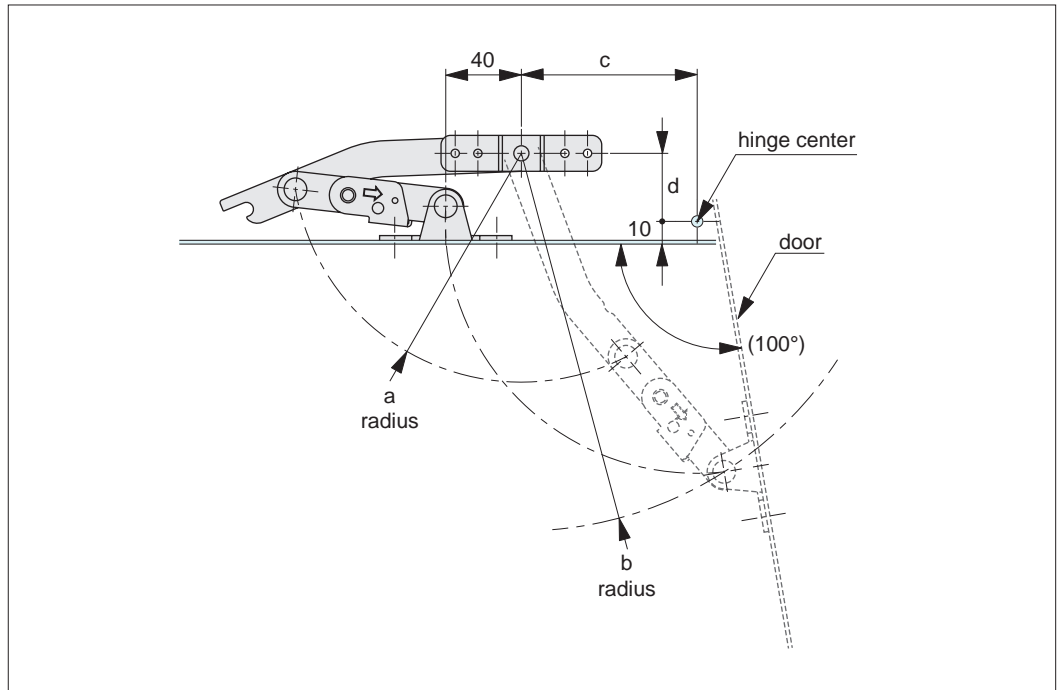
Order No.	j	k	l	m	n	o	p	q	s	Comp. load kg max.	Tensile force kg max.
N2050.AC0005	15.7	20.0	200	30	2.3	35	50	5,5x8,0	70	50	90
N2050.AC0010	17.0	22.5	300	35	3.2	45	60	5,5x9,5	120	60	150
N2050.AC0020	17.0	22.5	300	35	3.2	50	72	5,5x9,5	120	60	150



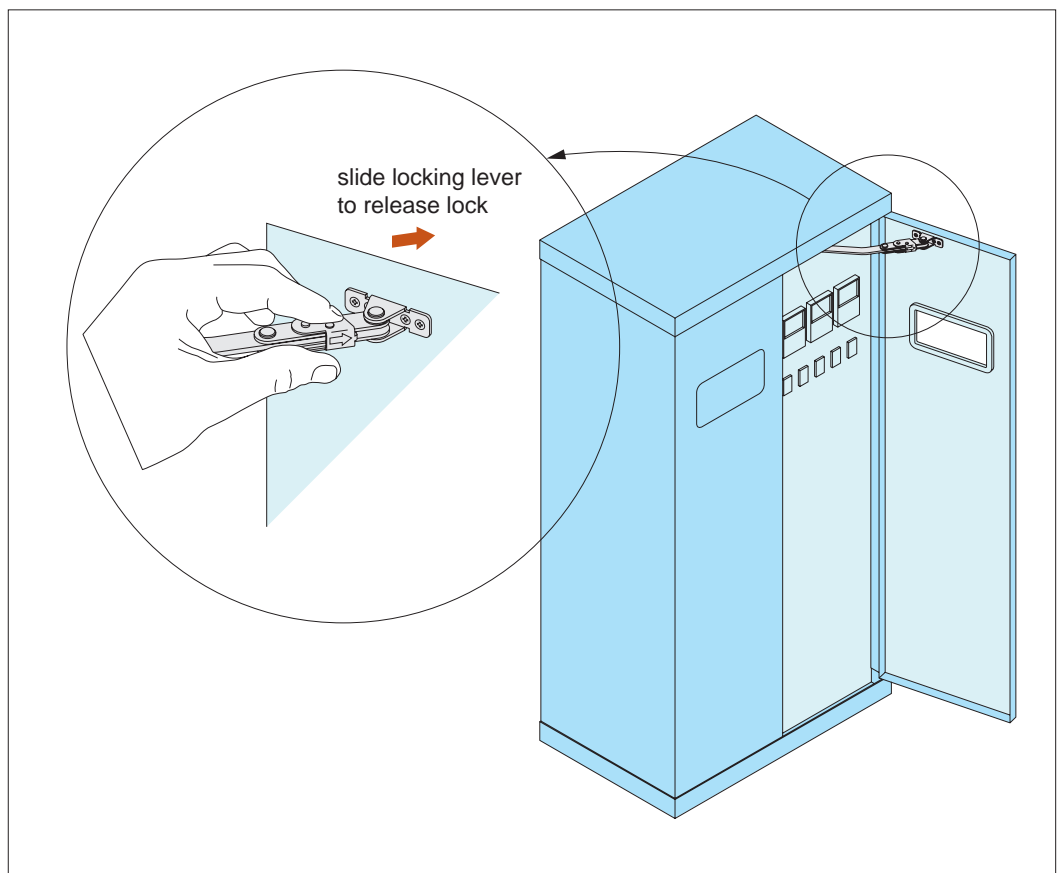


Installation

Installation dimensions



Easy actuation and release











Wixroyd Door Stays

product selection charts

Stays

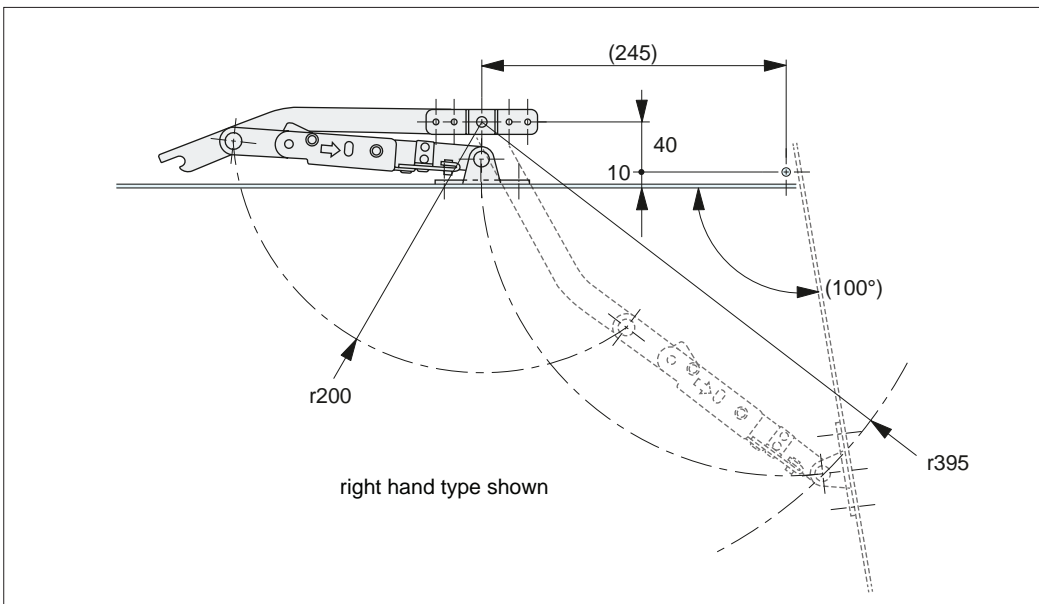
	Mounting			Door Opening			Material		Heavy Duty	Compression Force Kgf	Max Door Width mm	Tensile Force Kg	Max Angle
	Right	Left	Universal	Muti Stop	Soft Closing	Hold Open	Steel	Stainless Steel					
N2000 			✓	✓				✓			600-910		90°
N2020 	✓	✓			✓			✓		0,6-1,5	300		90°
N2050 			✓			✓	✓			50-60		50-60	100°
N2100 	✓	✓				✓		✓		50-60		150	100°
N2120 			✓			✓			✓	30		60	100°
N2200 	✓	✓				✓		✓	✓	50-60		150	100°

LID & DOOR STAYS

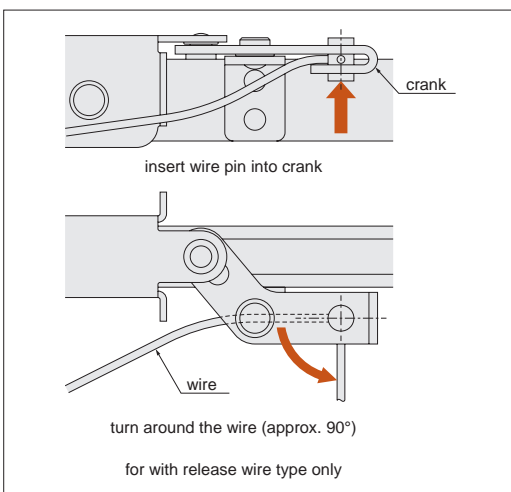
ov-WN2000-A-T-WN2000-A-TST0510-door-stays-product-selection-charts-rnh- Updated -25-10-2022



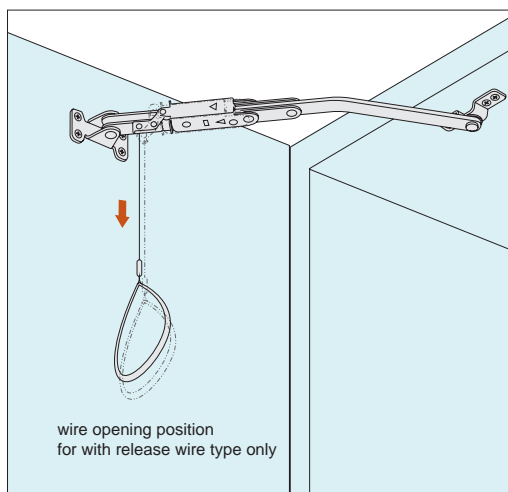
Installation dimensions



Installation of lock release wire



Installation of Lock Release Wire

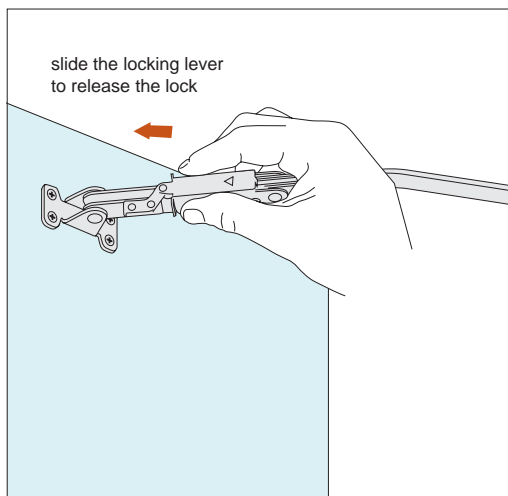


Release of Stay with Release Wire

Stay lock and release



Full Lock Out Indicator



Manual Stay Release