

N2120

LID & DOOR STAYS

Material

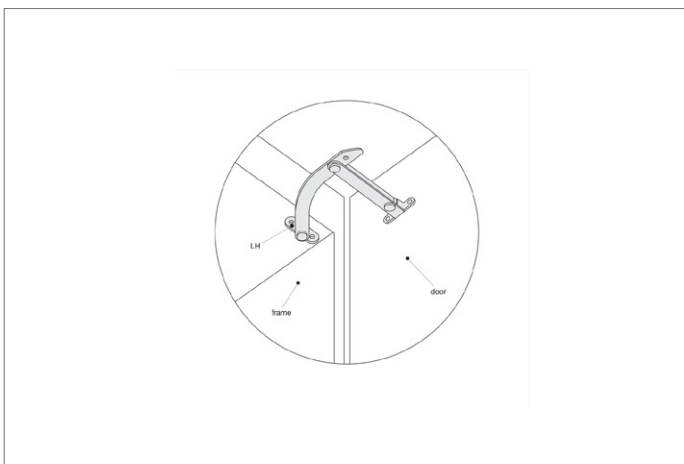
Body: steel, chrome plated.

table. Ideal for screw or weld-on mounting.

Technical Notes

Select left or right handed - please refer to

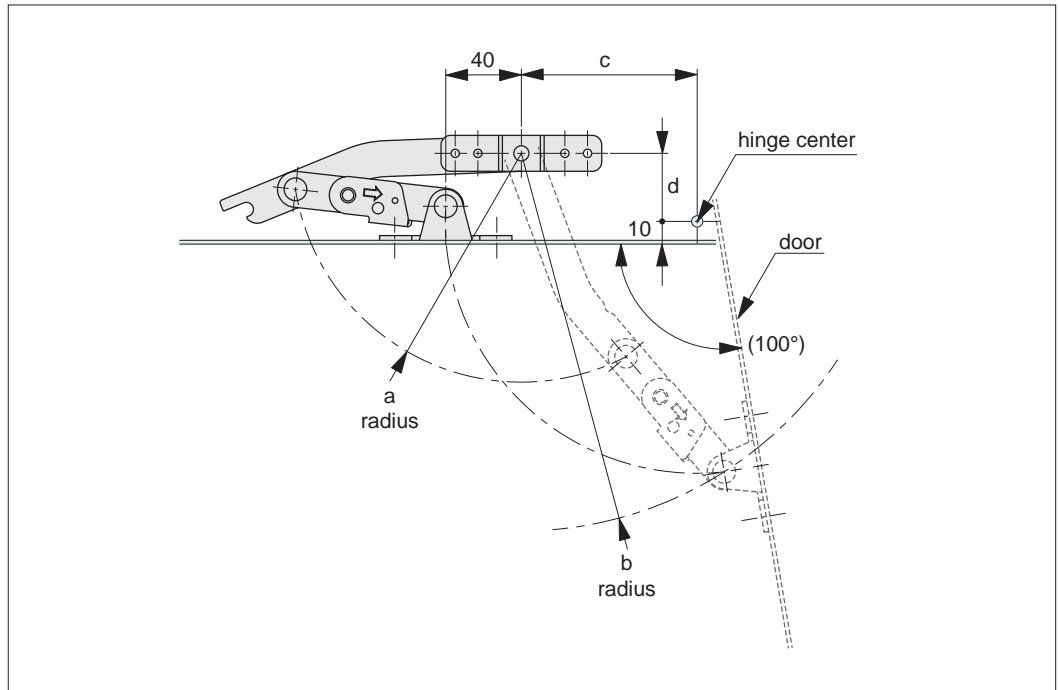
Order No.	Hand	l_1	d	h_1	h_2	h_3	h_4	l_2	w_1	w_2
N2120.AW0010	Left	105	2-Ø3,3 Ø5,5X90°	64	18	1.5	12	127	14.0	16
N2120.AW0020	Left	70	2-Ø4,2 Ø6,2X90°	43	12	2.0	18	85	13.5	12
N2120.AW0110	Right	105	2-Ø3,3 Ø5,5X90°	64	18	1.5	12	127	14.0	16
N2120.AW0120	Right	70	2-Ø4,2 Ø6,2X90°	43	12	2.0	18	85	13.5	12



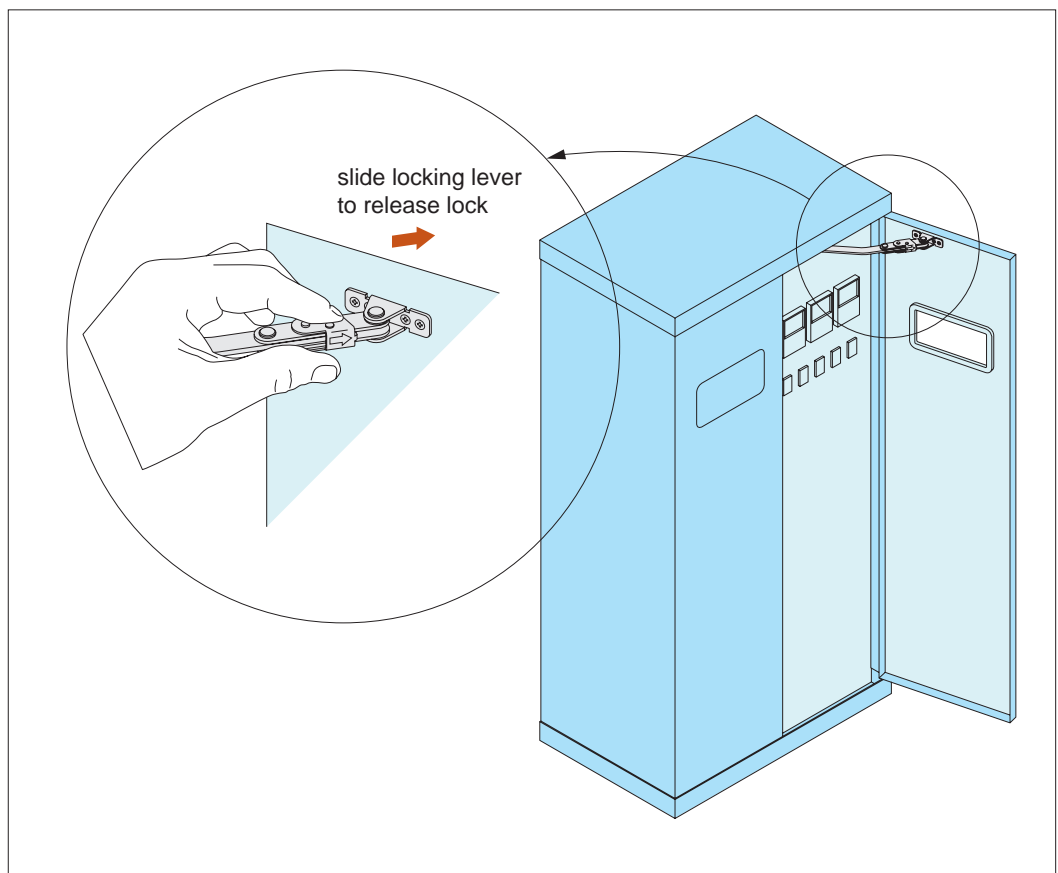


Installation

Installation dimensions



Easy actuation and release











Wixroyd Door Stays

product selection charts

Stays

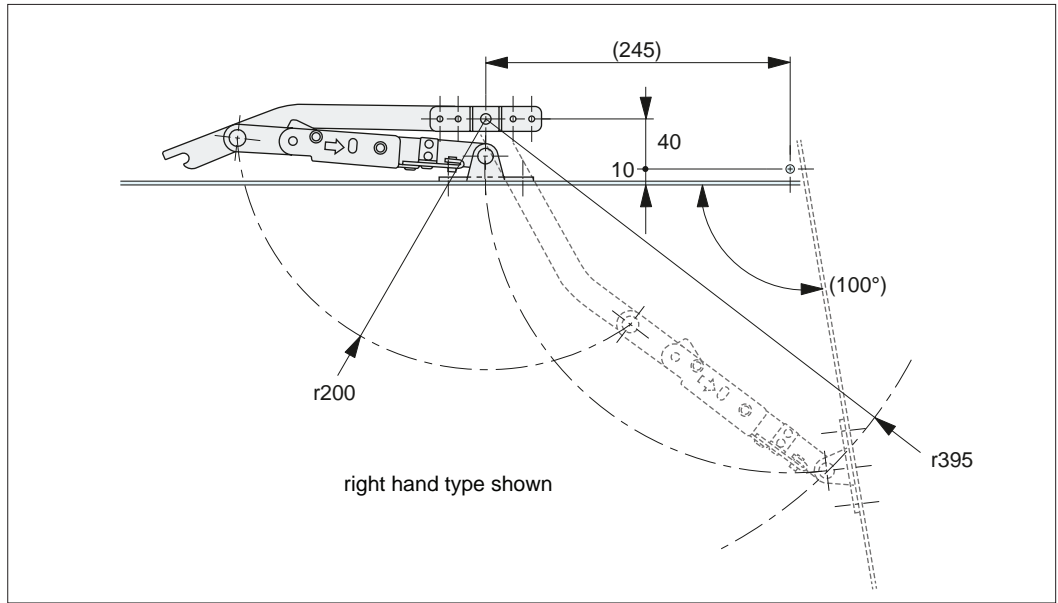
	Mounting			Door Opening			Material		Heavy Duty	Compression Force Kgf	Max Door Width mm	Tensile Force Kg	Max Angle
	Right	Left	Universal	Muti Stop	Soft Closing	Hold Open	Steel	Stainless Steel					
N2000 			✓	✓				✓			600-910		90°
N2020 	✓	✓			✓			✓		0,6-1,5	300		90°
N2050 			✓			✓	✓			50-60		50-60	100°
N2100 	✓	✓				✓		✓		50-60		150	100°
N2120 			✓			✓			✓	30		60	100°
N2200 	✓	✓				✓		✓		50-60		150	100°

LID & DOOR STAYS

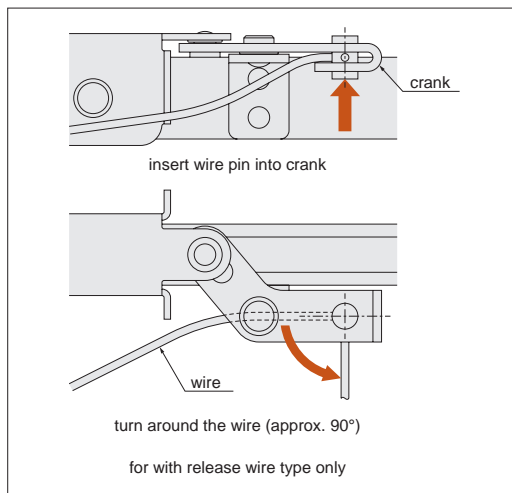
ov-WN2000-A-T-WN2000-A-TST0510-door-stays-product-selection-charts-rnh- Updated -25-10-2022



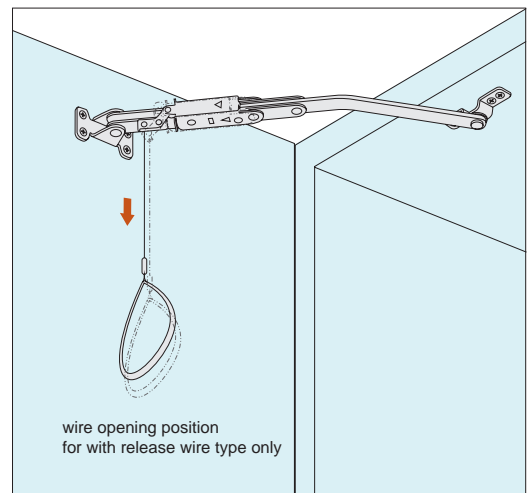
Installation dimensions



Installation of lock release wire



Installation of Lock Release Wire

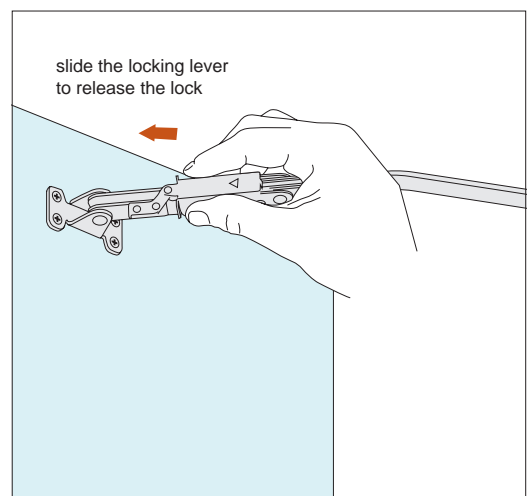


Release of Stay with Release Wire

Stay lock and release



Full Lock Out Indicator



Manual Stay Release