

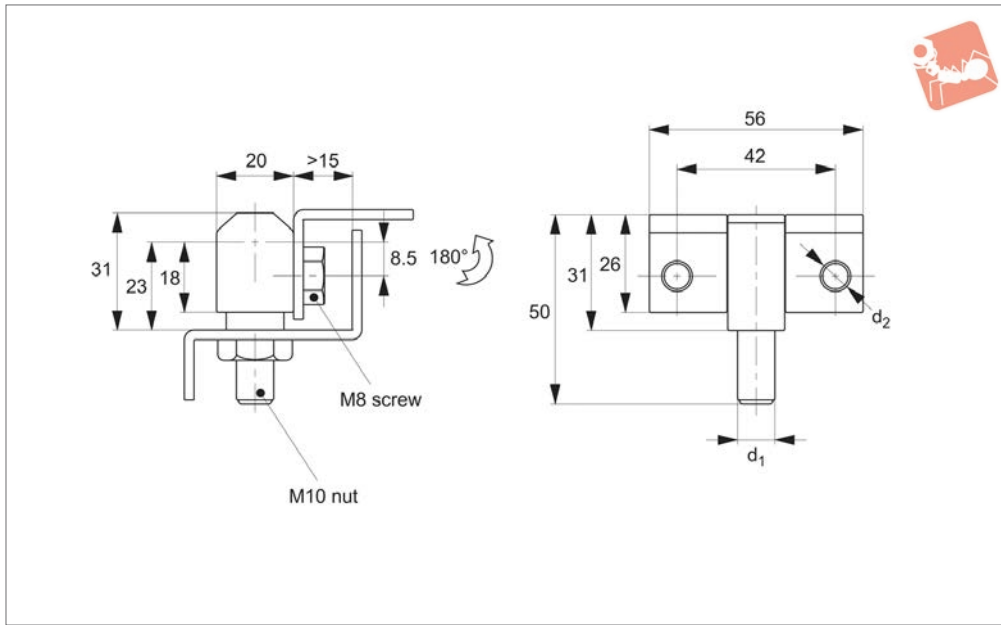


Surface Mount - In-Line Hinges

integrated stud mount - steel



Hinges



S1170

HINGES

Material

Steel, bright chrome plated.

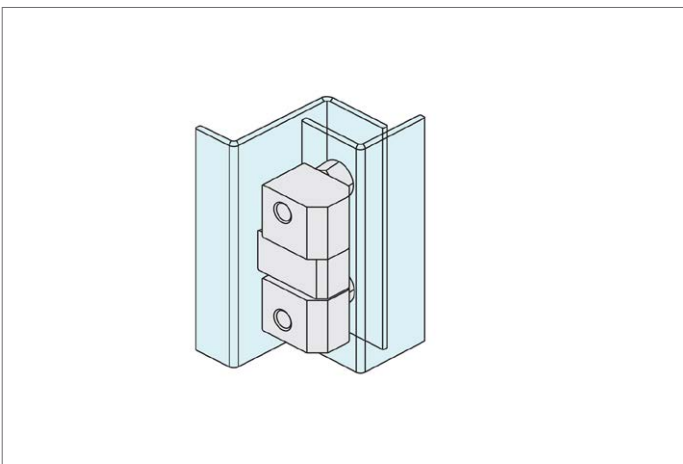
hinges, for electrical covers and panels.

Mounted via M8 screws (not supplied).

Technical Notes

Opening angle 180°. Side mounting

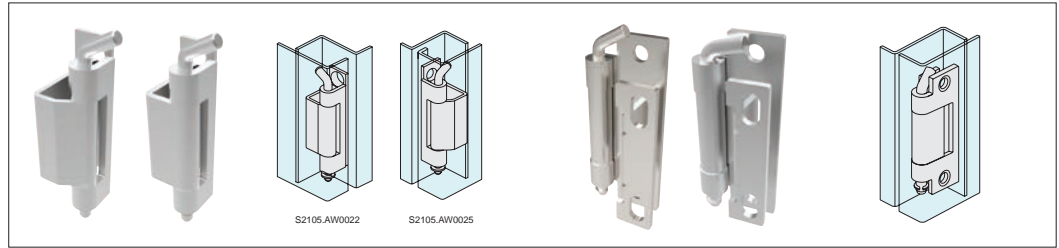
Order No.	Finish	F_x kN	F_y kN	d_1	d_2
S1170.AW0010	Chrome Plated	2.5	1.785	M10	M 8
S1170.AW0020	Black Coated	2.5	1.785	M10	M 8



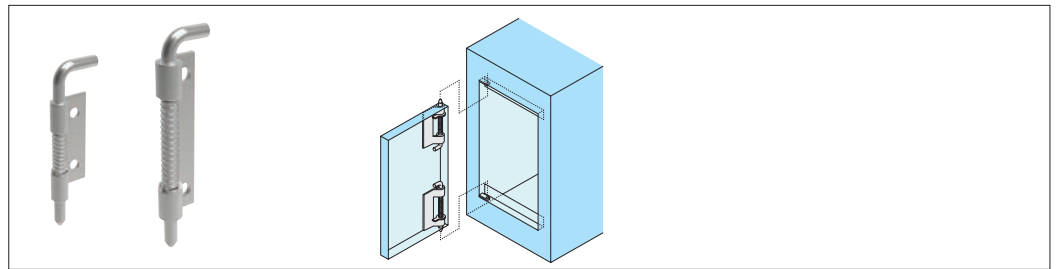


Concealed hinges

For added security or a sleek enclosure design, concealed hinges offer the solution with mounting discreetly hidden away from view to avoid tampering.



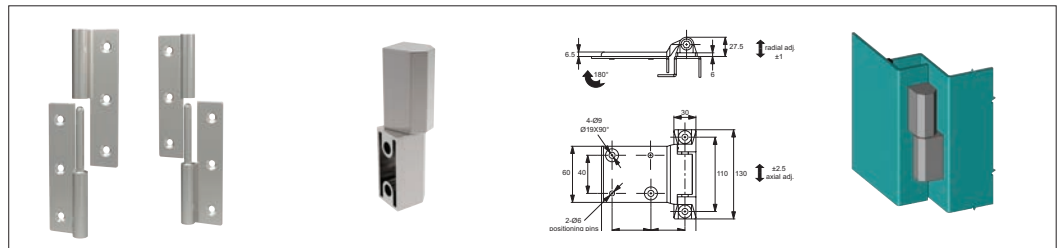
Concealed pivot hinges



End mount concealed pivot hinges

Door removal hinges

Door removal or lift-off hinges simplify removal of covers and panels to ease access for maintenance and repair, available in a selection of materials.



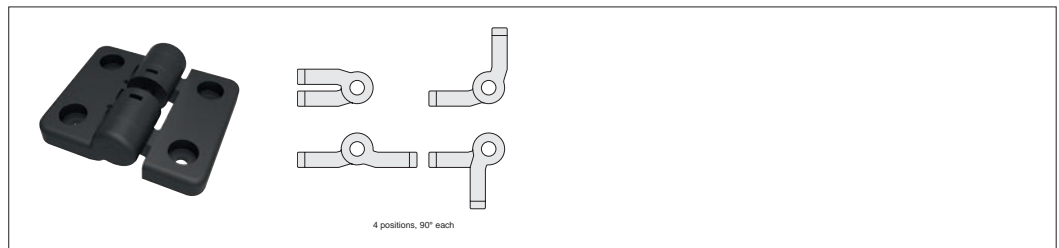
Lift off hinges

Torque and positioning hinges

Torque and positioning hinges offer positive location of panels, screens and displays using constant friction for a firm hold.



Constant torque hinges



Detent positioning hinges



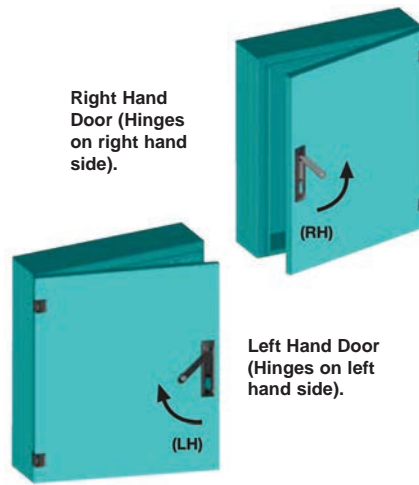
Wixroyd have a diverse range of hinges to suit most industrial applications in a wide range of materials and finishes.

Throughout our catalogue we refer to parts as being of a "Left" or "Right" type or hand. Which type you need, is most easily explained as follows;

Oriente your application so that when opened the door/panel comes towards you. With this orientation in mind, look to see on which side of the door/panel the hinges are mounted?

If the hinges are on the left side of the door/panel then you require "Left" type products. If the hinges are on the right side of the door/panel then you require "Right" type products.

The illustration on the right clearly indicates the layout and orientation of the door where a "left" or "right" product is used.

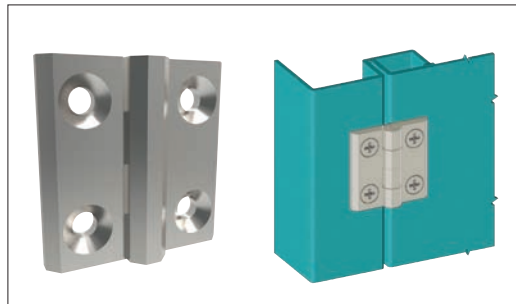


**Left or right type:
Which do you need?**

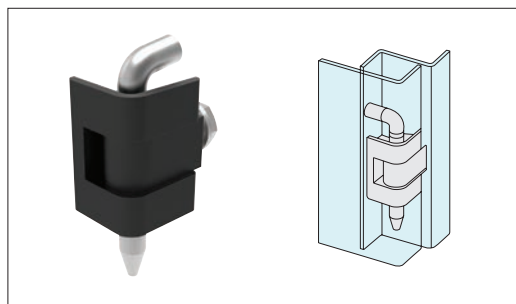
Hinges

External or surface mount hinges have a wide range of application on electrical panels, sheet metal enclosures, generators and heating and venting applications.

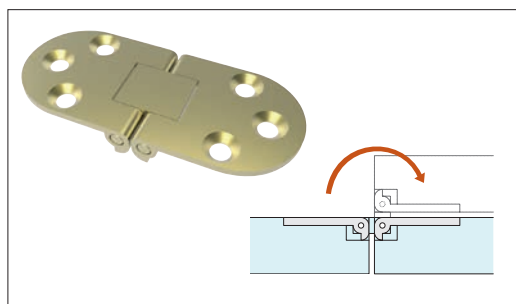
External hinges



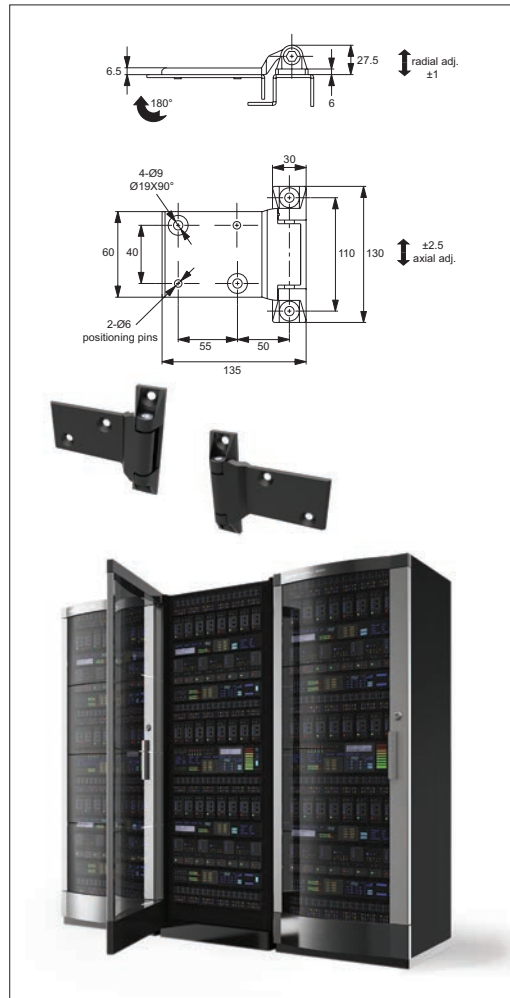
Surface mount hinges



Corner hinges



Flush mount hinges



Surface mount hinges

HINGES

ov-WS0050-A-T-WS2300-A-TH1200-wide-range-of-solutions-b-rnh - Updated - 01-11-2022