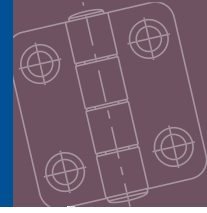
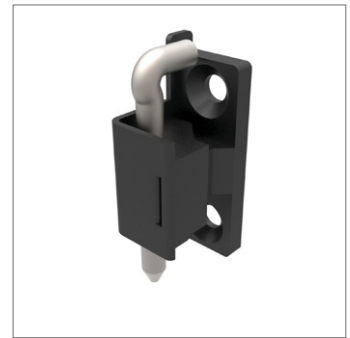
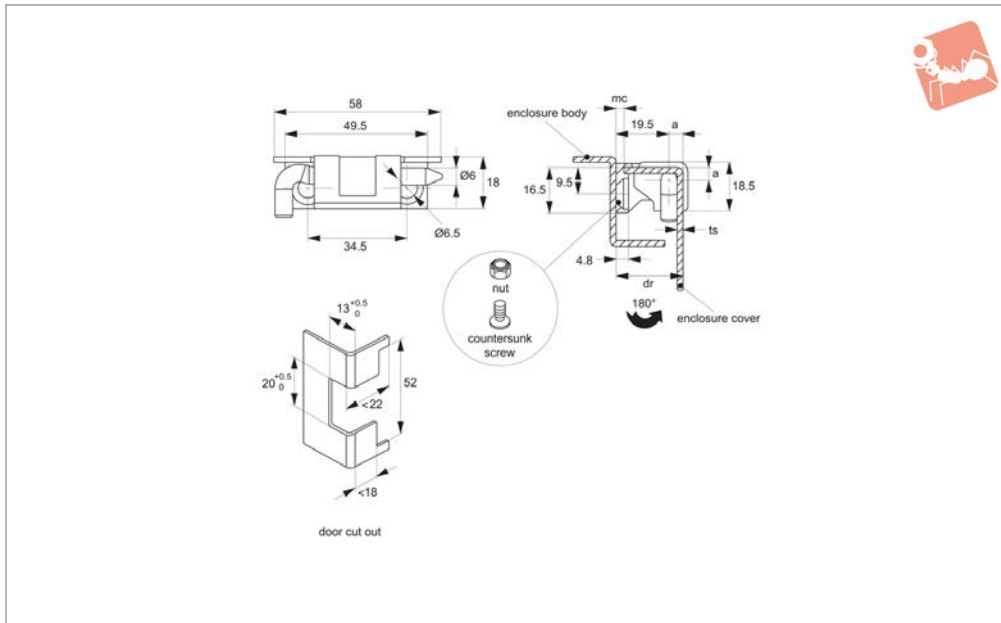




Corner Hinge - 24mm Door Return cut out and countersunk screw - zinc



Hinges



S1926

HINGES

Material

Hinge: die cast zinc, black powder coated.
Pin: steel, nickel-plated.

Technical Notes

For sheet metal and machine enclosures with a 24mm frame off-set, upto 2mm thick. For installation dimension see cut

out detail.

Universal left or right hand opening doors.
Max. opening angle 180°.

Tips

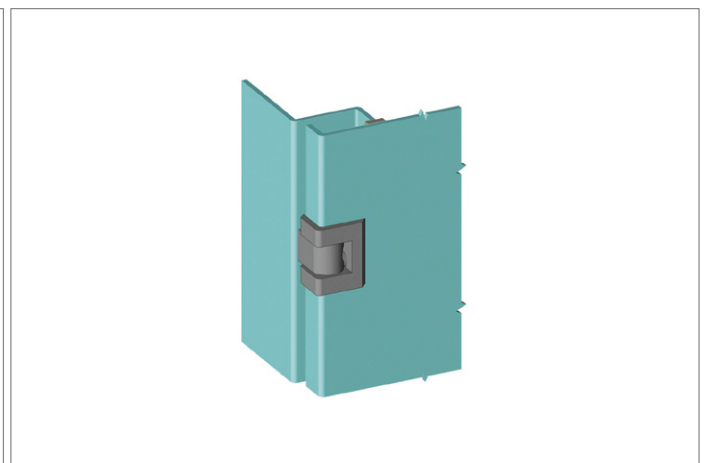
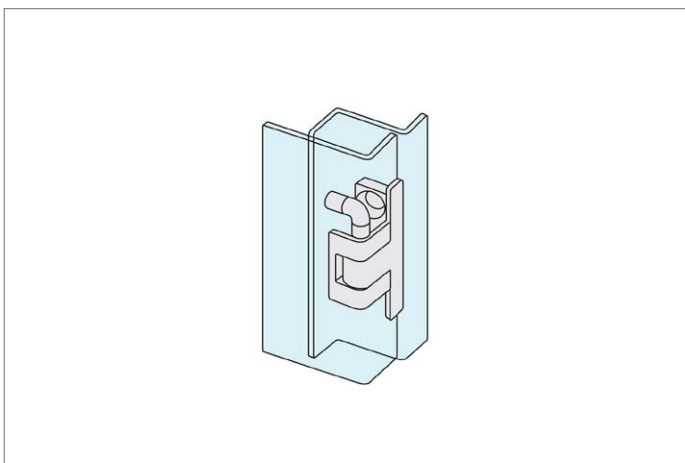
Mounting via M6 countersunk screws (not supplied).

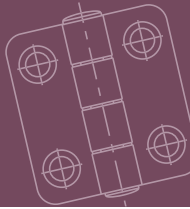
Important Notes

dr= Maximum door return suitable for use with hinge.

mc= Minimum clearance advised between enclosure cover and body to ensure smooth, full opening of enclosure cover.

Order No.	Finish	Door return	a	b	F _y kN	F _y kN	mc min.	ts panel thickness
S1926.AW0001	Black Coated	24.1	4.6	19.5	1.5	1.8	2.0	1.5
S1926.AW0002	Black Coated	24.6	5.1	19.5	1.5	1.8	2.0	2.0

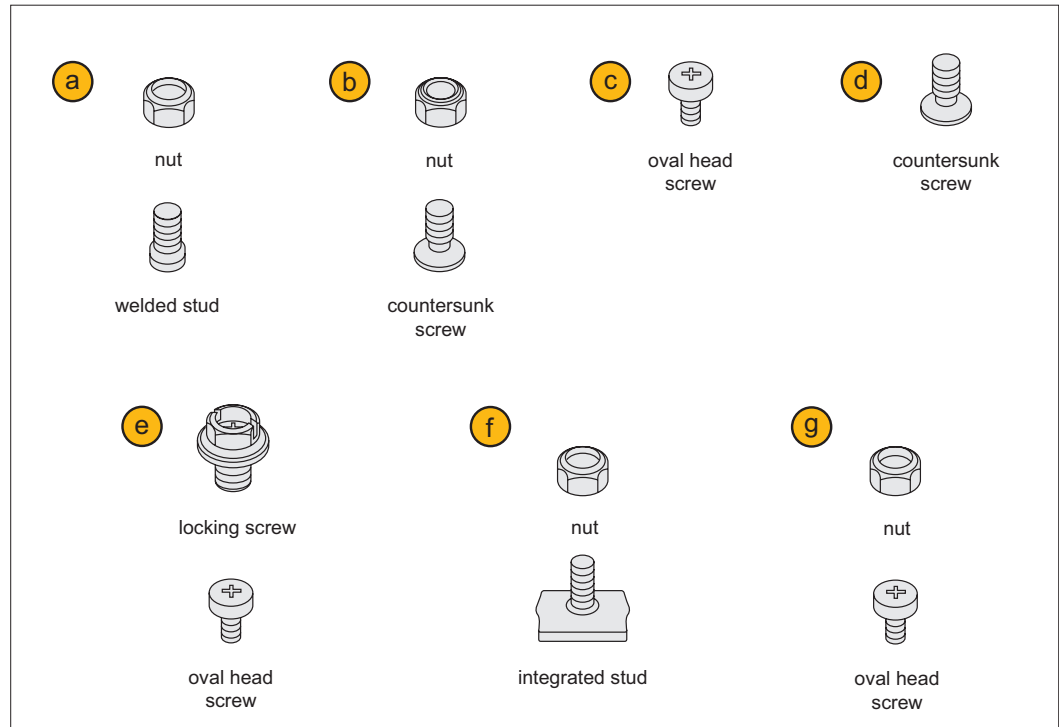




A variety of mounting methods are available!

Mounting combinations

Wixroyd concealed hinges can be mounted in a variety of ways using additional nuts and bolts.



Important Note: Refer to individual product pages for suitable mounting options. If you have any problems please contact our Technical Sales Team.

Mounting example

In the example, mounting option ②, a nut with a countersunk screw, is used to mount the hinge onto the enclosure body.

