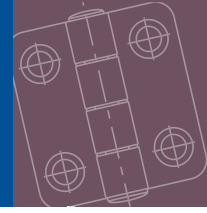
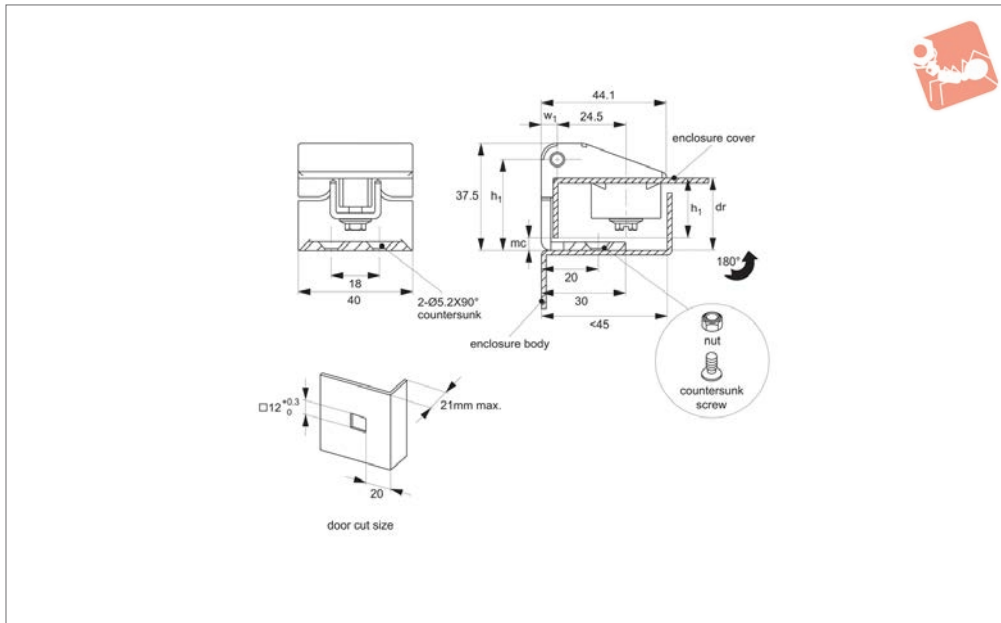




Corner Hinge 25,5mm Door Return cut out and countersunk screw - zinc



Hinges



S1941

HINGES

Material

Door-part: die cast zinc, black coated.
Frame-part and pin: steel, black coated.

Technical Notes

For sheet metal and machine enclosures with a 25,5mm door return, up to 2mm

thick. For installation dimension see cut.
Universal left or right hand opening doors.
Max. opening angle 180°.

Tips

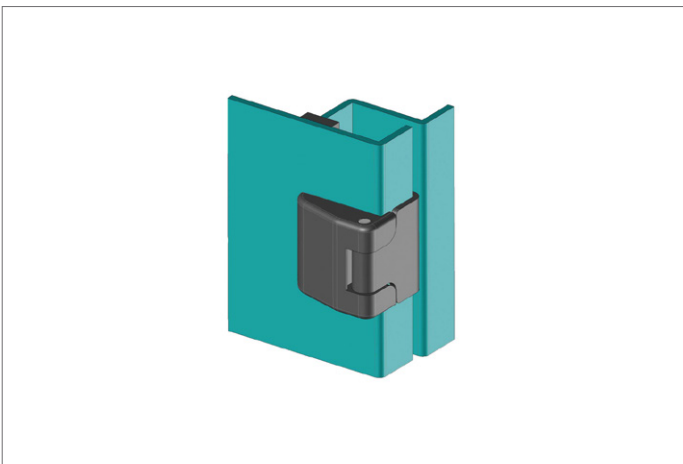
Mounting via M5 countersunk screws (not supplied), and support bracket (supplied)

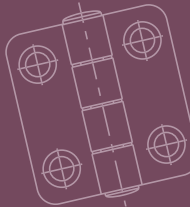
Important Notes

dr= Maximum door return suitable for use with hinge.

mc= Minimum clearance advised between enclosure cover and body to ensure smooth, full opening of enclosure cover.

Order No.	Finish	Door return	h_1	w_1	F_x N	F_y N	mc min.	ts panel thickness
S1941.AW0010	Black Coated	25.5	32	5.6	300	250	4	2

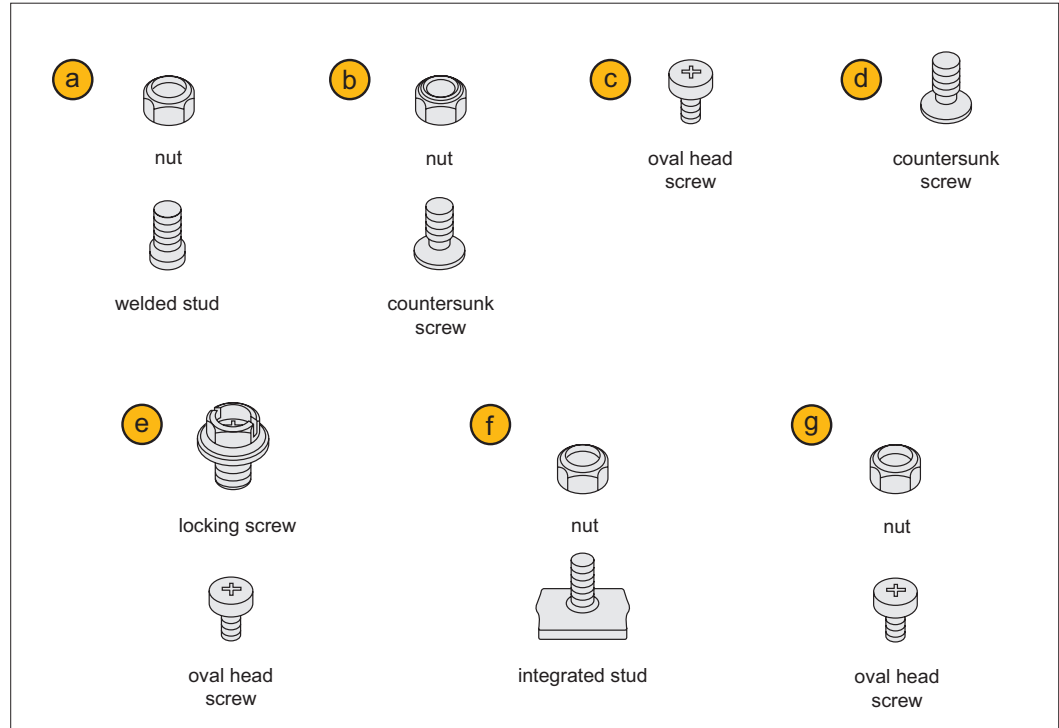




A variety of mounting methods are available!

Mounting combinations

Wixroyd concealed hinges can be mounted in a variety of ways using additional nuts and bolts.



Important Note: Refer to individual product pages for suitable mounting options. If you have any problems please contact our Technical Sales Team.

Mounting example

In the example, mounting option ②, a nut with a countersunk screw, is used to mount the hinge onto the enclosure body.

