

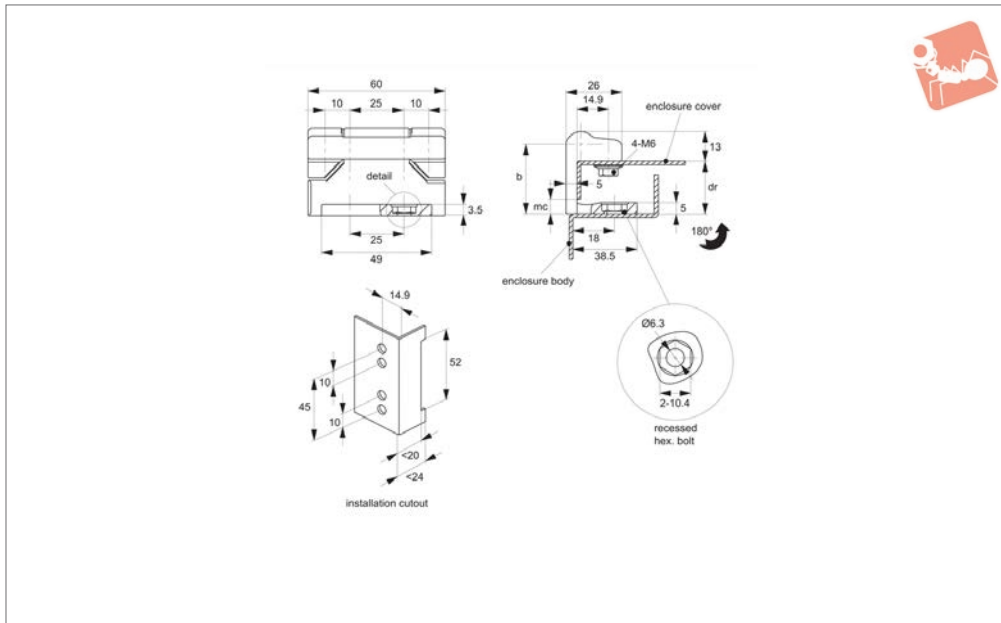


# Corner Hinge - 25mm Door Return

Locking nut and recessed hexagon - zinc



Hinges



**S1942**

HINGES

### Material

Hinge: die cast zinc, black powder coated.  
Pin: steel, black-plated.  
Bearing washer: brass.

### Technical Notes

For sheet metal and machine enclosures with a 25,5mm door return, up to 2mm

thick. For installation dimension see cut. Universal left or right hand opening doors. Max. opening angle 180°.

### Tips

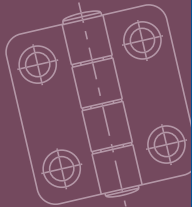
Mounting via M6 bolts with hex head of 10mm a/f (not supplied).

### Important Notes

DR= Maximum door return suitable for use with hinge.

MC= Minimum clearance advised between enclosure cover and body to ensure smooth, full opening of enclosure cover.

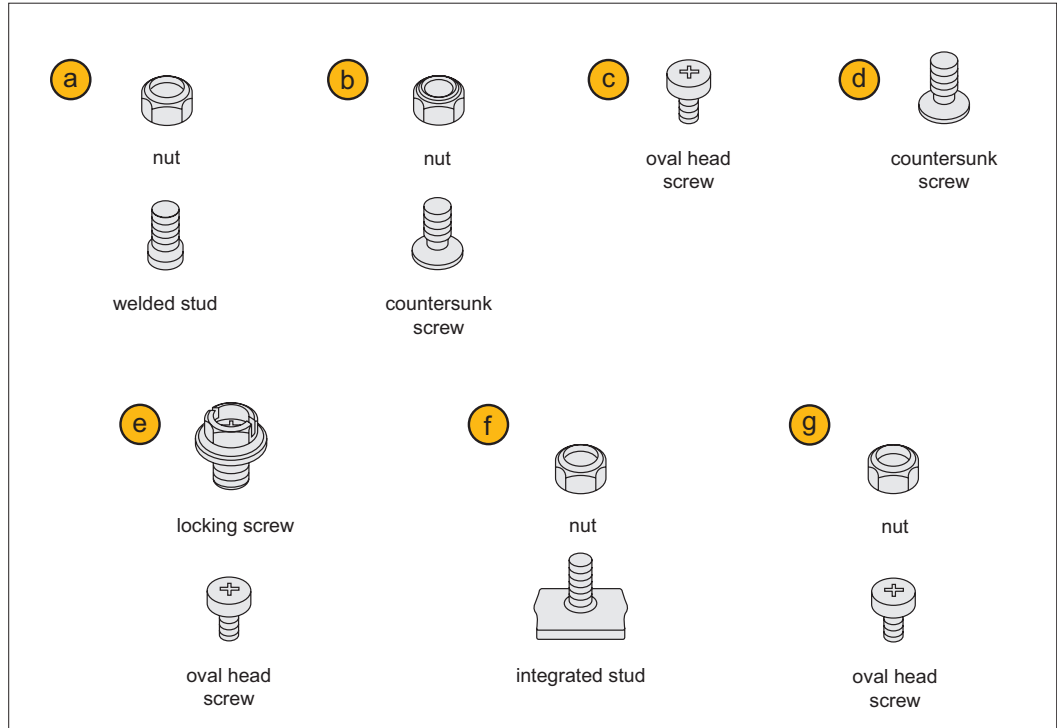
Order No.	Finish	Door return	a	b	F <sub>x</sub> N	F <sub>y</sub> N	mc min.	ts panel thickness
S1942.AW010	Black Coated	25	5.6	32	980	630	5	2



### A variety of mounting methods are available!

#### Mounting combinations

Wixroyd concealed hinges can be mounted in a variety of ways using additional nuts and bolts.



**Important Note: Refer to individual product pages for suitable mounting options. If you have any problems please contact our Technical Sales Team.**

#### Mounting example

In the example, mounting option ②, a nut with a countersunk screw, is used to mount the hinge onto the enclosure body.

