

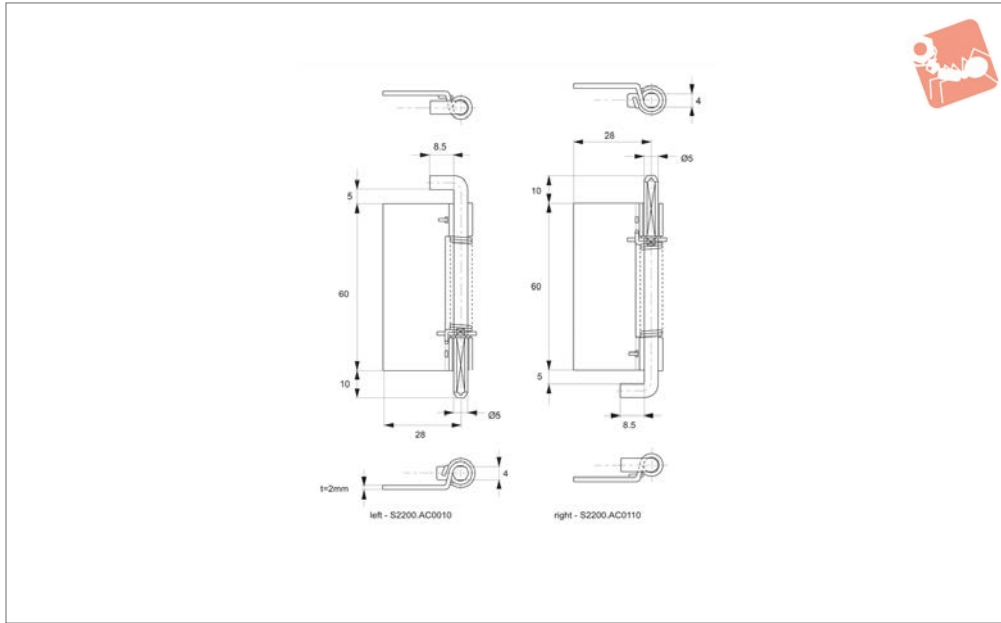


End Mount Concealed Pivot Hinge

spring loaded - weld-on - stainless steel



Hinges



S2200

HINGES

Material

Stainless steel, AISI 304.

Technical Notes

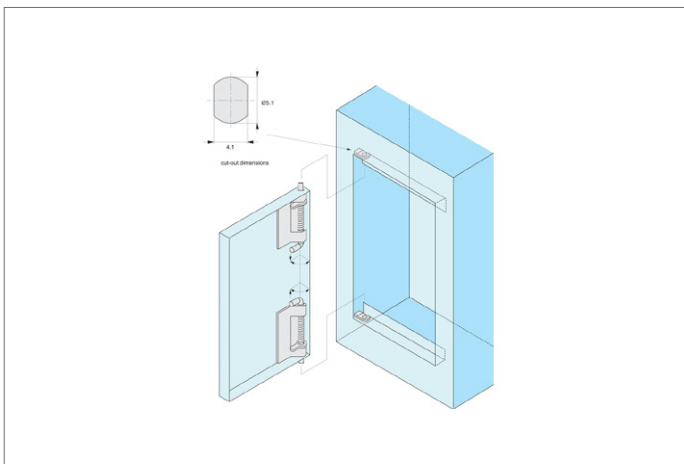
Spring loaded for self-closing.

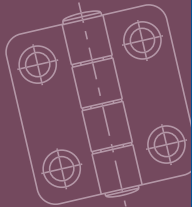
Lift pin for easy installation and removal.

Torsion moment (hinge closed): 0.76kgf/cm per piece.

Max. opening angle 100°.

Order No.	Type	Weight g
S2200.AC0010	Left	38
S2200.AC0110	Right	38

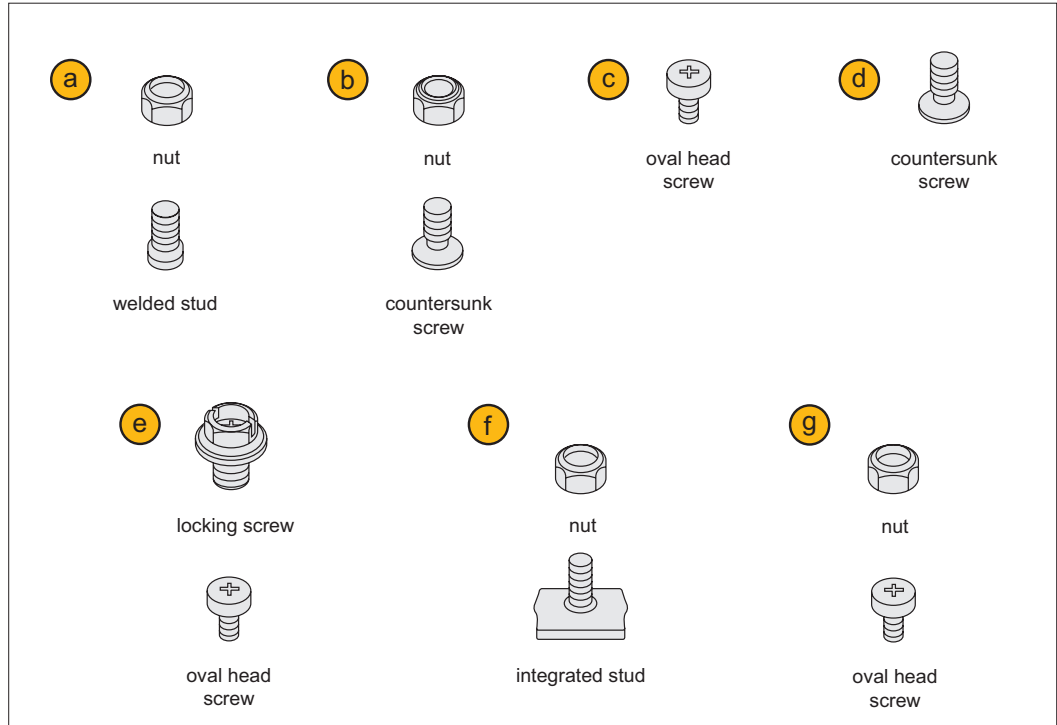




A variety of mounting methods are available!

Mounting combinations

Wixroyd concealed hinges can be mounted in a variety of ways using additional nuts and bolts.



Important Note: Refer to individual product pages for suitable mounting options. If you have any problems please contact our Technical Sales Team.

Mounting example

In the example, mounting option ②, a nut with a countersunk screw, is used to mount the hinge onto the enclosure body.

