

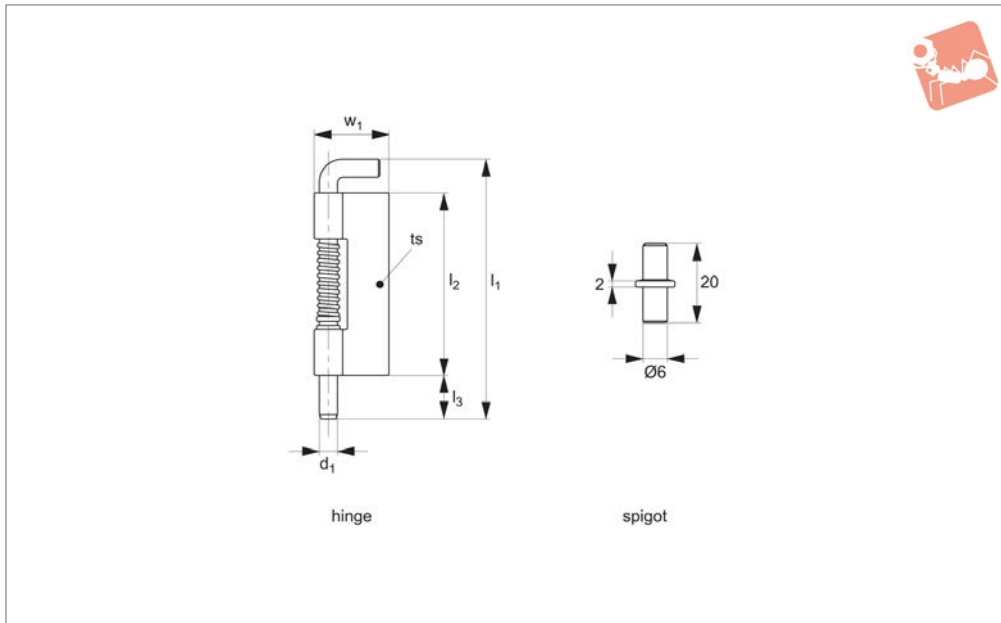


# End Mount Concealed Pivot Hinge

spring loaded - weld-on - steel



## Hinges



**S2202**

HINGES

### Material

Body: steel, white zinc plated.

### Technical Notes

For sheet metal doors, cabinets and machinery covers. Spring body can be either welded, or screw mounted.

Pull back pin lever, hinge pin is retracted.  
Release pin lever and hinge pin springs

back.

Max. opening angle 110°.

### Tips

Spring loaded feature of hinge enables easy assembly and disassembly of panel/door, ideal for maintenance covers.

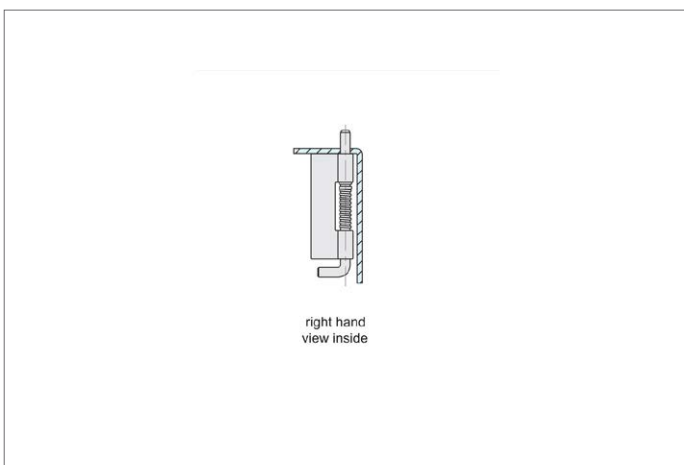
Typical assembly utilises spring loaded hinge at top of door and corresponding

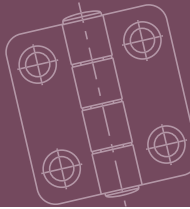
hinge spigot at foot of door.

### Important Notes

Accessory (optional) this accessory is used as an alternative to the hinge with pin, usually fitted at the bottom of the door as load-bearing fixing door.

Order No.	Type	$l_1$	$w_1$	$d_1$	$F_x$ N	$F_y$ N	$l_2$	$l_3$	ts
S2202.AW0063	Left	89	26.4	6	150	200	62.5	15	2
S2202.AW0163	Right	89	26.4	6	150	200	62.5	15	2

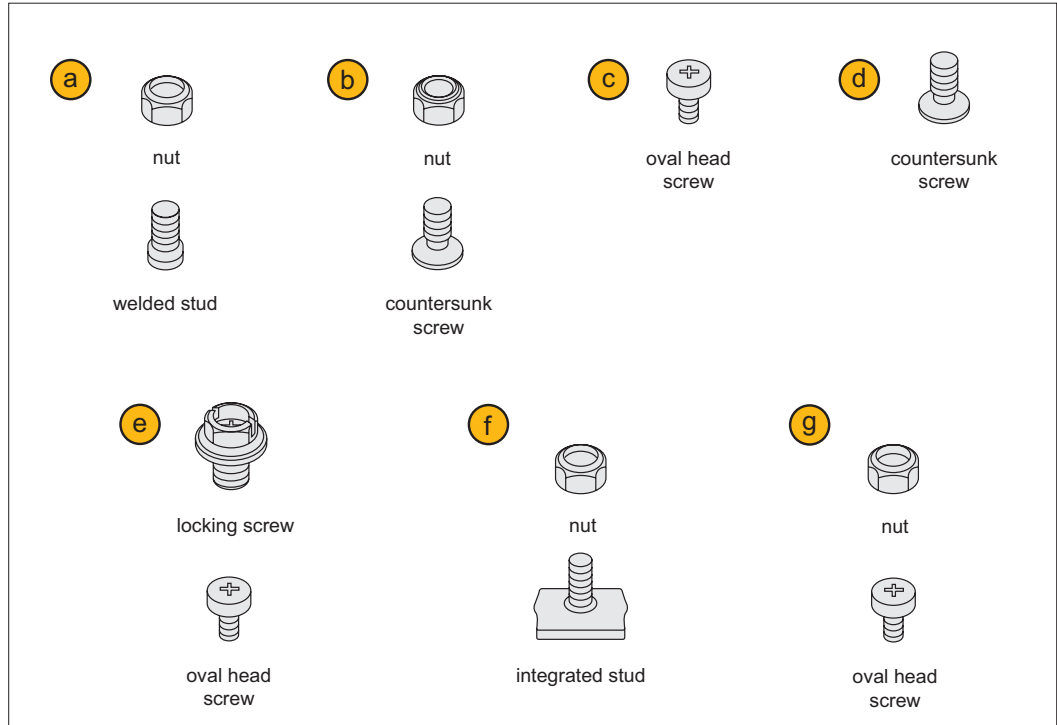




### A variety of mounting methods are available!

#### Mounting combinations

Wixroyd concealed hinges can be mounted in a variety of ways using additional nuts and bolts.



**Important Note:** Refer to individual product pages for suitable mounting options. If you have any problems please contact our Technical Sales Team.

#### Mounting example

In the example, mounting option ②, a nut with a countersunk screw, is used to mount the hinge onto the enclosure body.

