

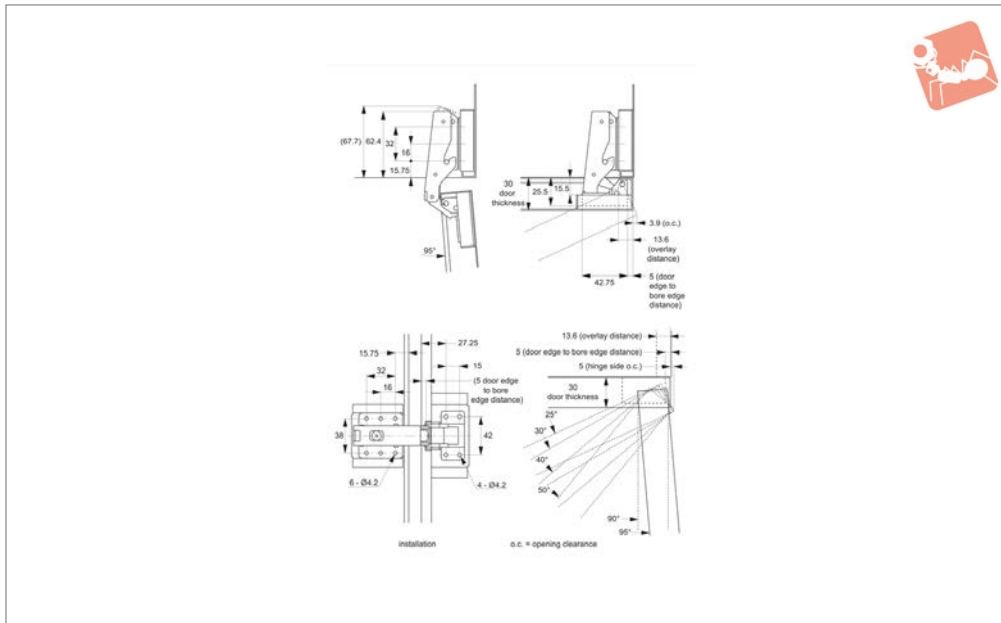


Recessed Fitting - Snap-On Easy

screw mount - steel



Hinges



S2260

HINGES

Material

Steel, nickel plated.

Technical Notes

Snap-on feature allows easy installation and removal of door panel, especially suitable for maintenance. Max. opening

angle 95°.

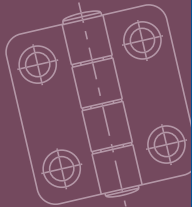
Tips

Hinge enables opening of doors without interference with side panels and hence ideal where two doors are mounted close together.

Important Notes

When correctly installed hinges require only a 3.9mm opening clearance between units.

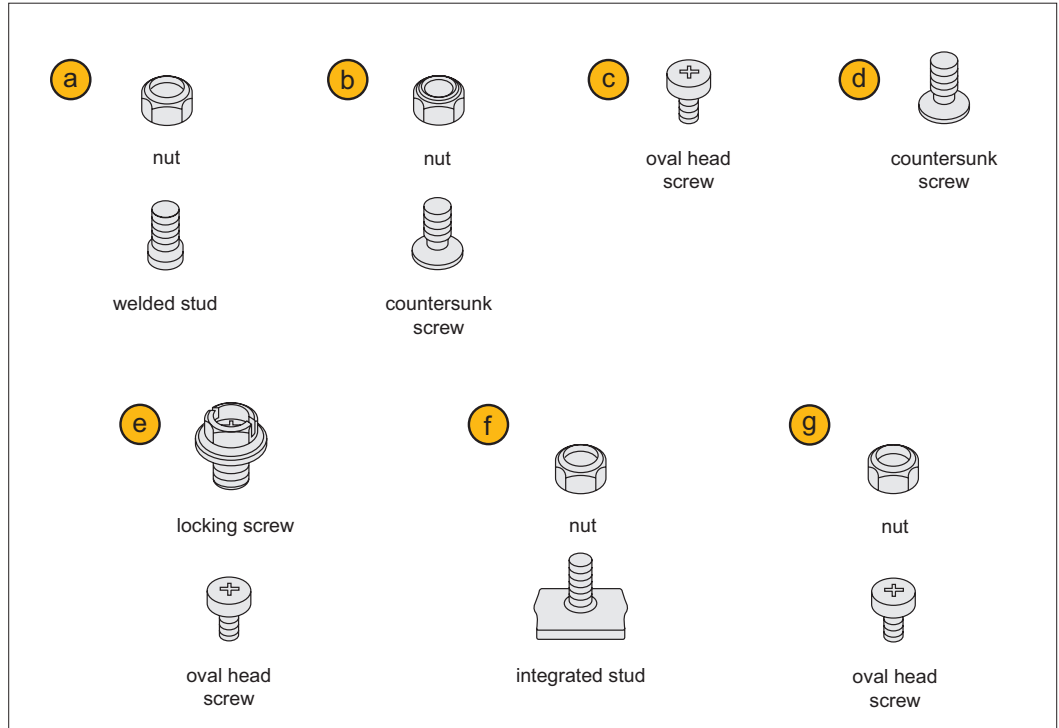
Order No.	Type	Weight g
S2260.AC0010	Hinge	138
S2260.AC0050	Mounting Plate	81



A variety of mounting methods are available!

Mounting combinations

Wixroyd concealed hinges can be mounted in a variety of ways using additional nuts and bolts.



Important Note: Refer to individual product pages for suitable mounting options. If you have any problems please contact our Technical Sales Team.

Mounting example

In the example, mounting option ②, a nut with a countersunk screw, is used to mount the hinge onto the enclosure body.

