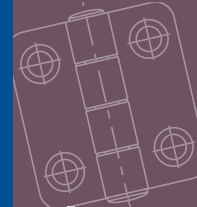
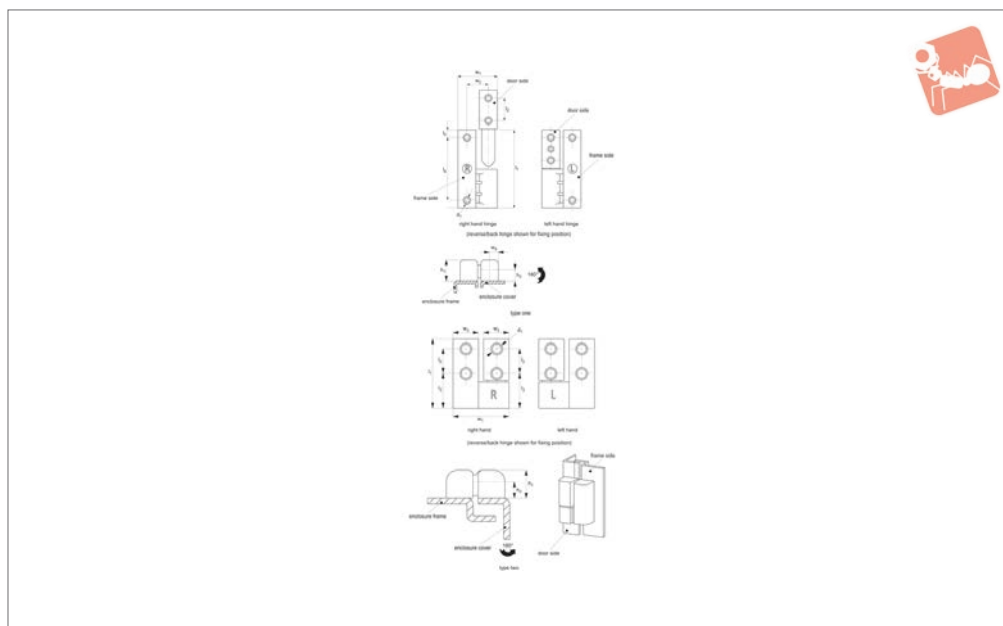




Lift-Off Hinges - Off-Set bolt-on - zinc



Hinges



S2404

HINGES

Material

Type one: Body: die cast zinc, black powder coated.

Bushing: polyamide.

Type two: Body: die cast zinc, black powder

coated.

Natural unfinished available on request, subject to minimum order quantity.

Technical Notes

Lift off hinge for plain/flush mounted doors. Concealed mounting screws prevent external access to the hinge. Opening angle 180°.

Order No.	Type	Hand	l_1	w_1	d_1	h_1	h_2	l_2	l_3	l_4	l_5	w_2	w_3	F_x N
S2404.AW0025	One	Right	64.0	32.5	M 5	17.5	10.0	19	-	51	6.5	17.5	-	490
S2404.AW0125	One	Left	64.0	32.5	M 5	17.5	10.0	19	-	51	6.5	17.5	-	490
S2404.AW0064	Two	Right	25.5	20.5	M 4	10.0	5.5	9	13	-	-	-	9.4	270
S2404.AW0164	Two	Left	25.5	20.5	M 4	10.0	5.5	9	13	-	-	-	9.4	270

