

**E2200**

CATCHES & LATCHES

**Material**

Body and catch: ABS Plastic.

door and cabinet frame for push space.  
Supplied with screws (3.1x13, 3.5x10).

without unlatching the unit may damage  
the mechanism.

**Technical Notes**

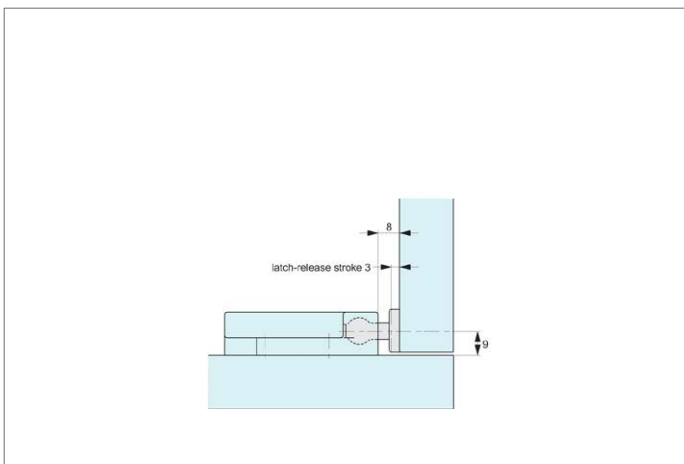
For overlay door allow 3mm gap between

**Important Notes**

Pulling the door with excessive force

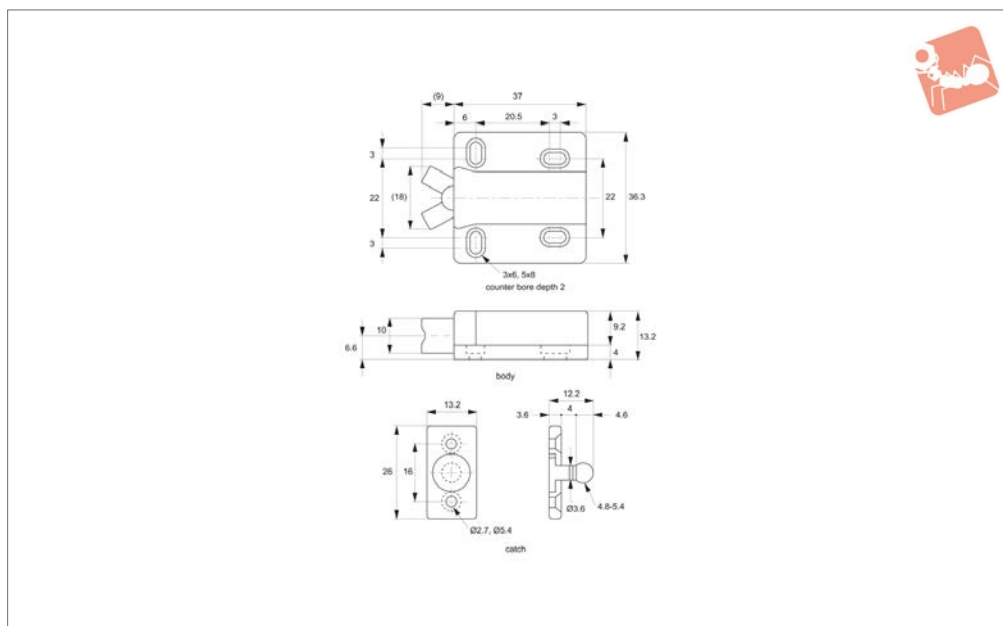
Constant loading of over 4Kgf, either  
pushing or pulling, is not recommended.

Order No.	Finish	Retaining force	Weight
E2200.AC0010	White	8 kg	24 g
E2200.AC0020	Black	8	24
E2200.AC0030	Brown	8	24





## E2400



### Material

Body and catch: ABS plastic.

### Technical Notes

For overlay door allow 3mm gap between

door and cabinet frame for push space. Supplied with screws (2.7x13, 2.4x10).

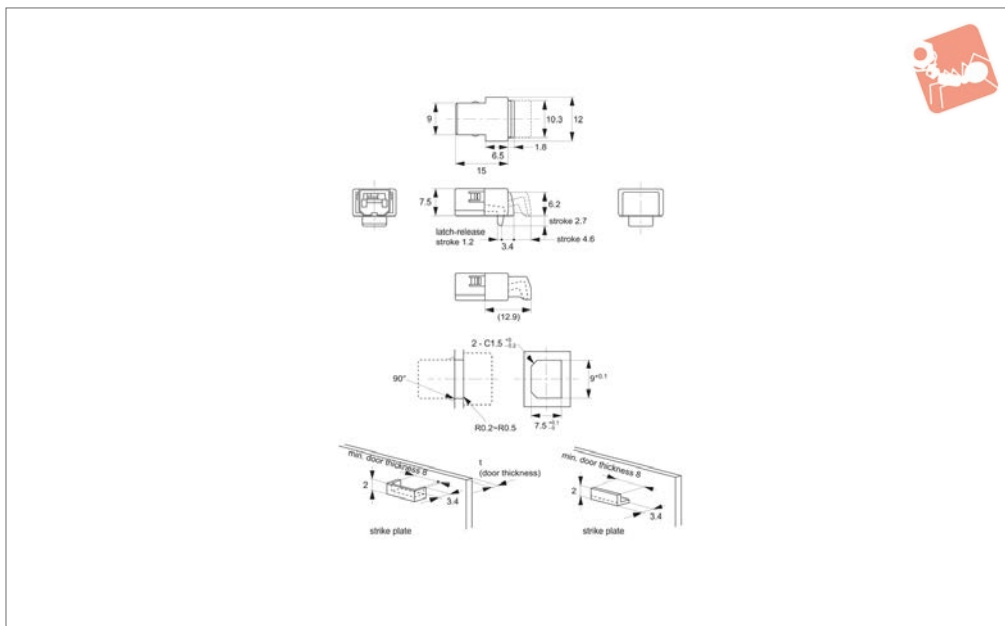
### Important Notes

Pulling the door with excessive force

without unlatching the unit may damage the mechanism.

Constant loading of over 3Kgf, either pushing or pulling, is not recommended.

Order No.	Finish	Retaining force kgf	Weight g
E2400.AC0020	Black	3	15



**E2600**

CATCHES & LATCHES

**Material**

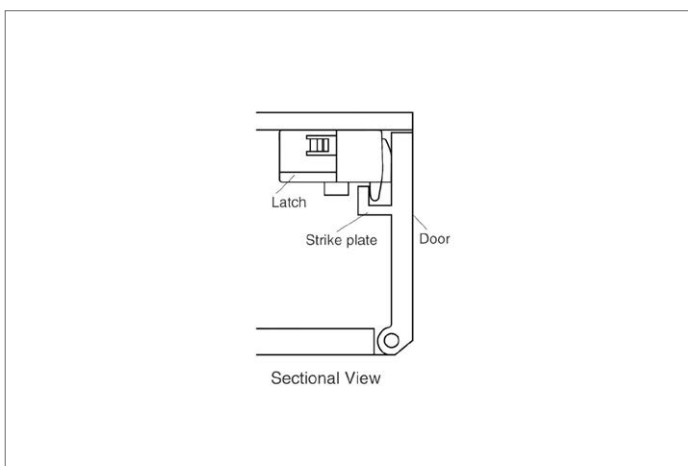
Body: polycarbonate.

of 'Recommended Strike Dimensions' are for your own fabrication of strike to best suit your application.

**Technical Notes**

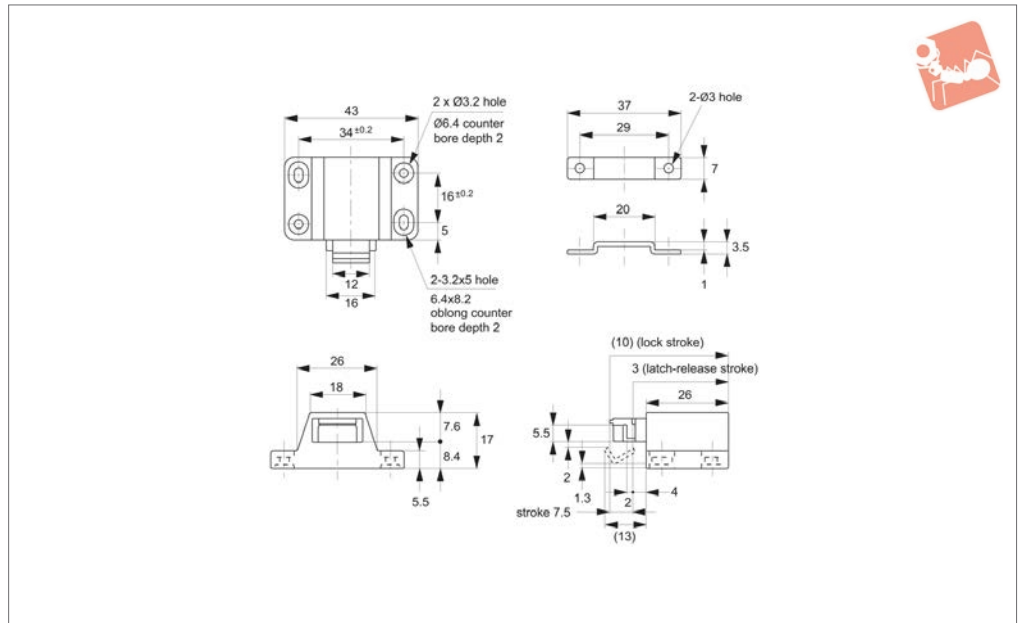
No catch plate supplied. Dimensions shown

Order No.	Retaining force kgf	Weight g
E2600.AC0020	1	1.1





## E2800



### Material

Housing: ABS plastic.  
Slide: polyacetal.

Strike, arm and yoke: steel.

### Technical Notes

Screws not included.

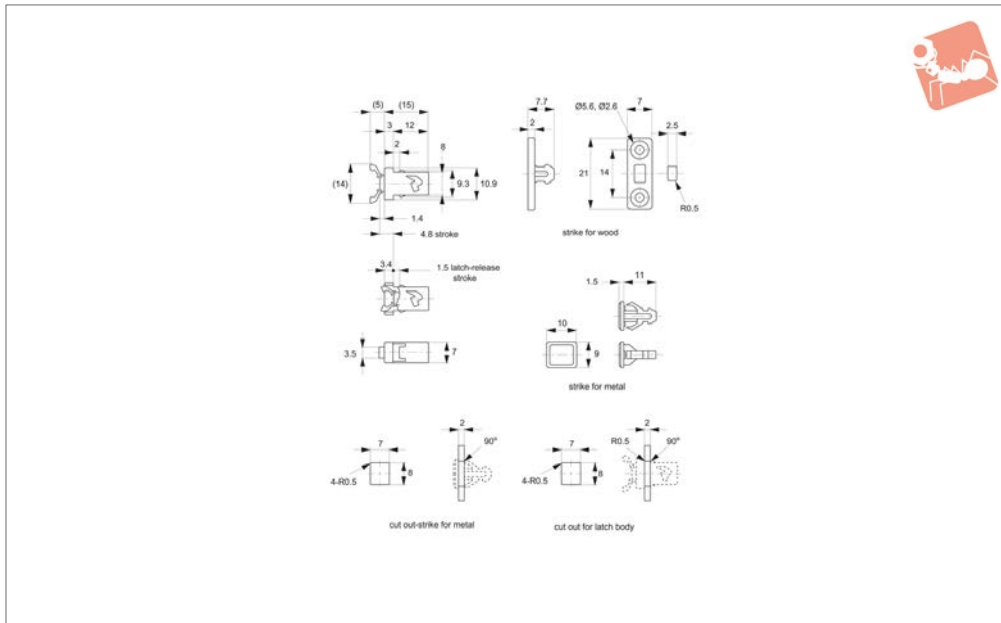
Order No.	Finish	Retaining force kgf	Weight g
E2800.AC0020	Black	10	16.3



# Mini Touch Latches

non-magnetic

## Catches & Latches



**E3000**

CATCHES & LATCHES

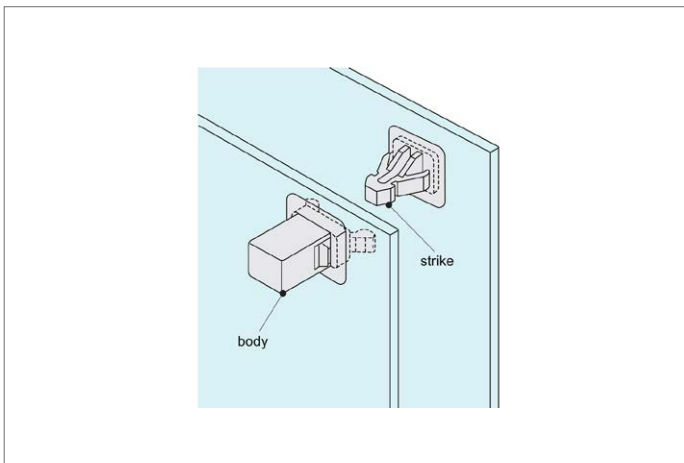
### Material

Body: polyacetal.  
Strike: polyamide.

### Technical Notes

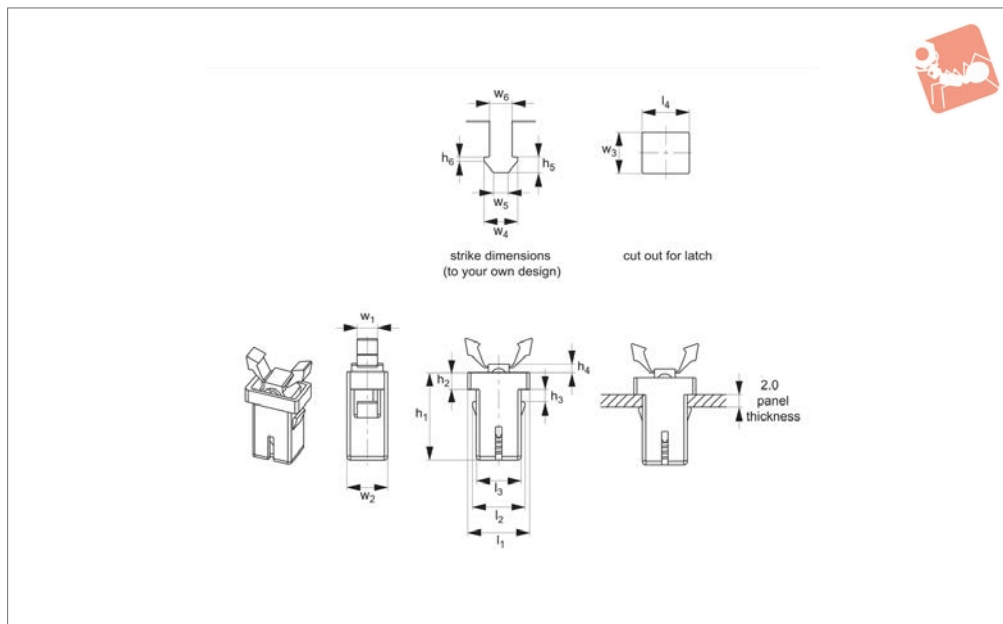
Strikes ordered separately. Screws not included.

Order No.	Type	Retaining force kgf	Weight g
E3000.AC0020	Latch	1.2	0.7
E3000.AC0022	Strike for Wood	-	0.2
E3000.AC0024	Strike for Metal	-	0.2





## E3010



### Material

Nylon and Polyacetal (POM)

### Technical Notes

Strikes not supplied. Dimensions shown

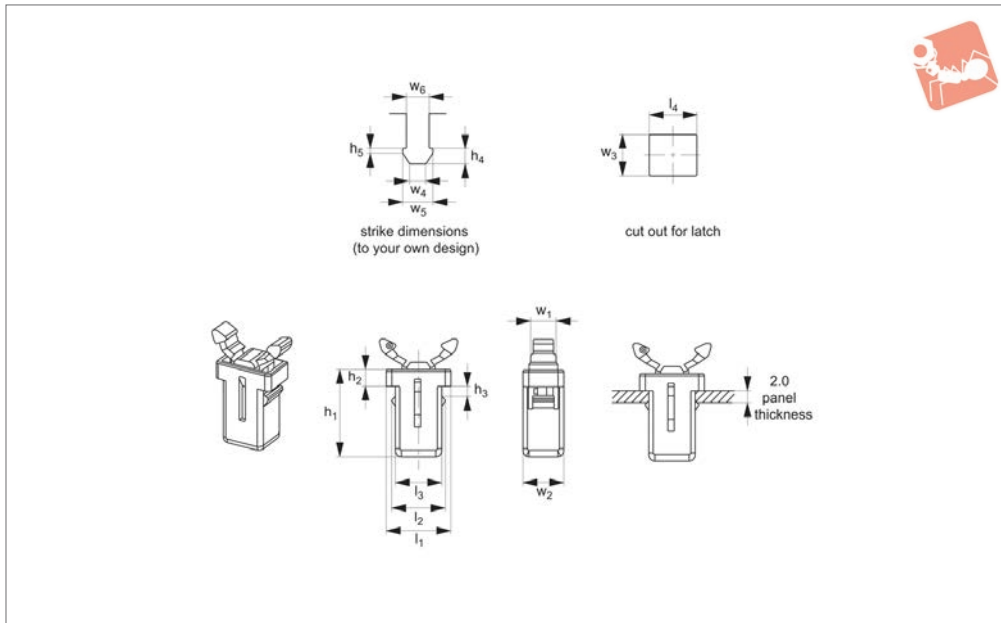
are for your own fabrication of strike to best suit your application.

Suitable for panel thickness 2,0mm

### Tips

Subject to minimum order quantity.

<b>Order No.</b>	$l_1$	$h_1$	$l_2$	$l_3$	$l_4$	$h_2$	$h_3$	$h_4$
<b>E3010.AC0010</b>	10.9	14.9	9.2	7.9	8	2.9	2	1.5
<b>Order No.</b>	$h_5$	$h_6$	$w_1$	$w_2$	$w_3$	$w_4$	$w_5$	$w_6$
<b>E3010.AC0010</b>	2.6	0.6	3.5	6.9	7	5.3	2.6	4



### E3012

CATCHES & LATCHES

#### Material

Nylon and Polyacetal (POM)

are for your own fabrication of strike to best sort your application.

#### Tips

Subject to minimum order quantity.

#### Technical Notes

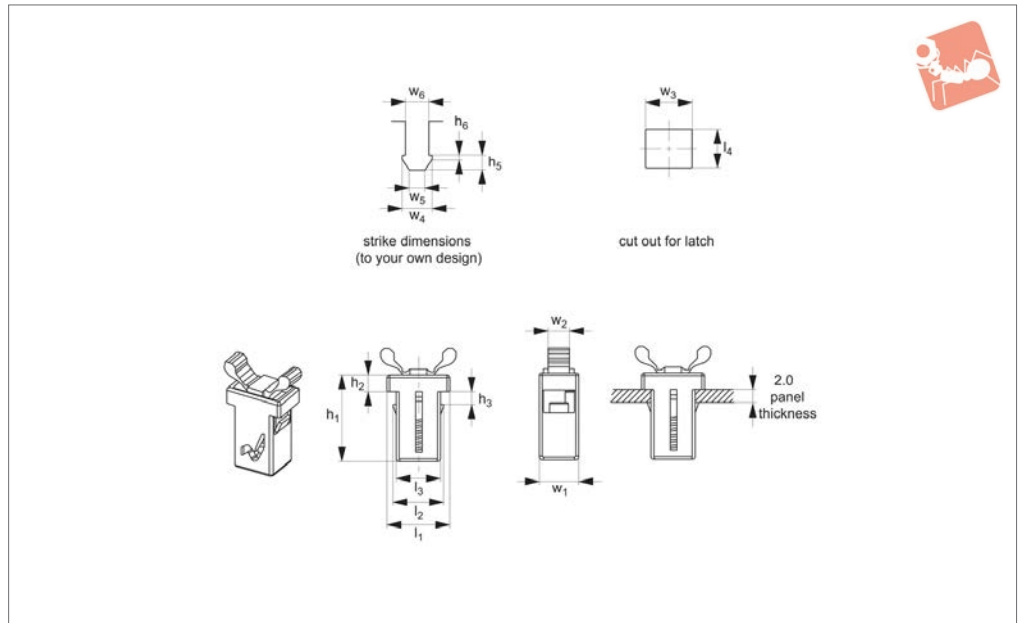
Strikes not supplied. Dimensions shown

Suitable for panel thickness 2,0mm

Order No.	$l_1$	$h_1$	$l_2$	$l_3$	$l_4$	$h_2$	$h_3$	$h_4$	$h_5$	$w_1$	$w_2$	$w_3$	$w_4$	$w_5$	$w_6$
E3012.AC0010	11.08	15	9.2	7.9	8.0	3	2	2.6	0.6	4.6	6.9	7	5.3	2.6	4.0



**E3014**



**Material**

Nylon and Polyacetal (POM)

**Technical Notes**

Strikes not supplied. Dimensions shown

are for your own fabrication of strike to best suit your application.

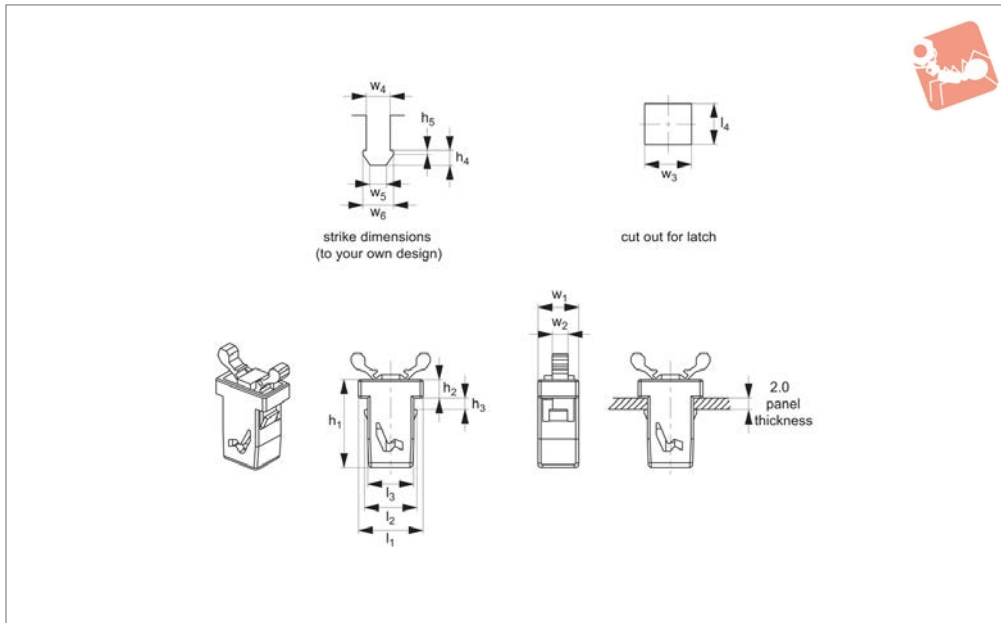
Suitable for panel thickness 2,1mm

**Tips**

Subject to minimum order quantity.

Order No.	$l_1$	$h_1$	$l_2$	$l_3$	$l_4$	$h_2$	$h_3$	$h_5$	$h_6$	$w_1$	$w_2$	$w_3$	$w_4$	$w_5$	$w_6$
<b>E3014.AC0010</b>	11	14.8	9.17	7.9	7	2.9	2.1	2.6	0.6	6.9	3.75	8	5.2	2.5	4.2





### E3016

CATCHES & LATCHES

#### Material

Nylon and Polyacetal (POM)

are for your own fabrication of strike to best sort your application. Suitable for panel thickness 2,0mm

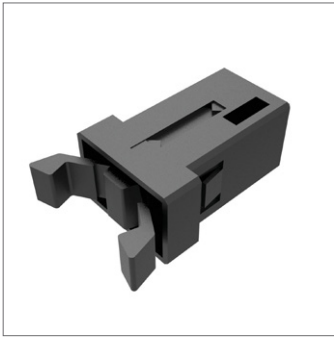
#### Tips

Subject to minimum order quantity.

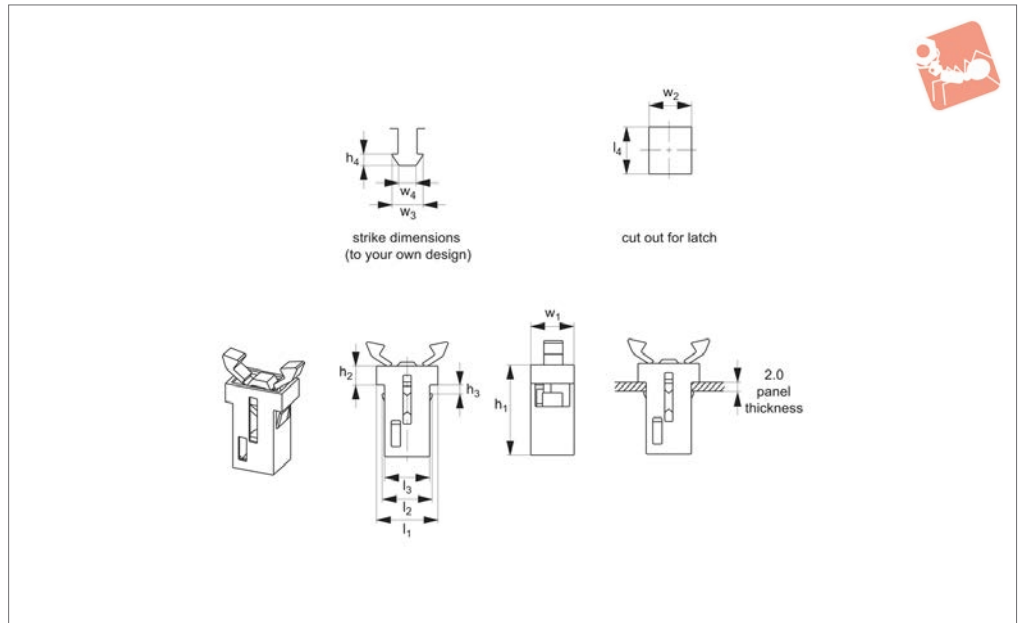
#### Technical Notes

Strikes not supplied. Dimensions shown

Order No.	$l_1$	$h_1$	$l_2$	$l_3$	$l_4$	$h_2$	$h_3$	$h_4$	$h_5$	$w_1$	$w_2$	$w_3$	$w_4$	$w_5$	$w_6$
E3016.AC0010	10.9	14.8	8.9	7.9	7	3.05	2	2.6	0.6	6.9	2.7	8.0	4.2	2.50	5.2



**E3030**



**Material**

Nylon and Polyacetal (POM)

**Technical Notes**

Strikes not supplied. Dimensions shown

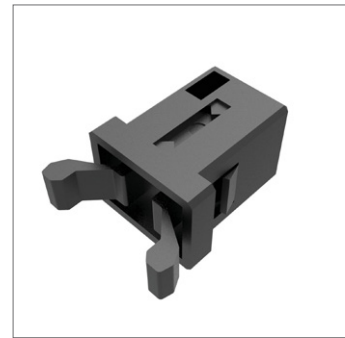
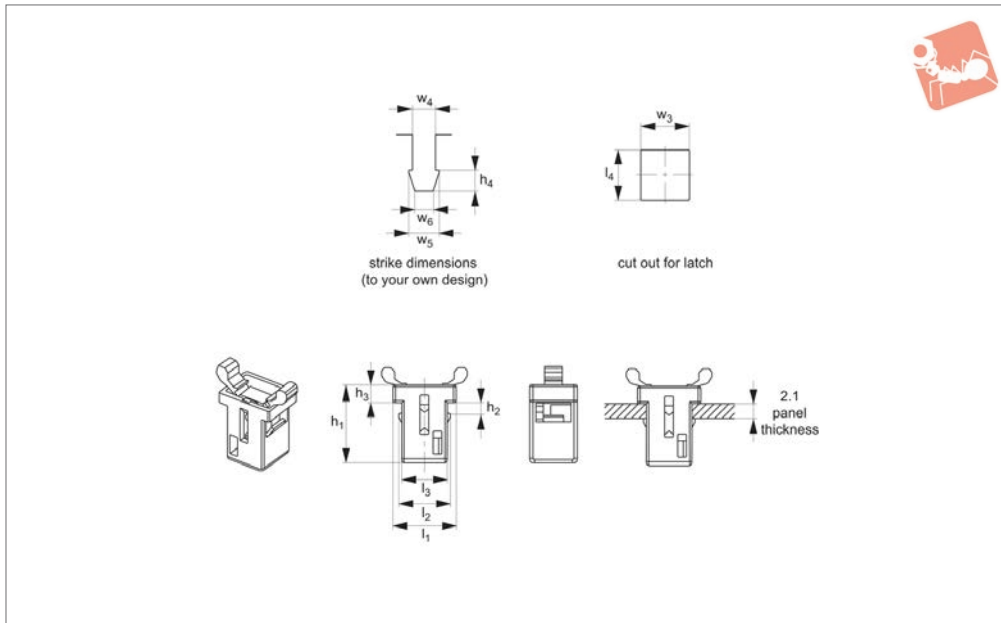
are for your own fabrication of strike to best suit your application.

Suitable for panel thickness 2,0mm

**Tips**

Subject to minimum order quantity.

Order No.	$l_1$	$h_1$	$l_2$	$l_3$	$l_4$	$h_2$	$h_3$	$h_4$	$w_1$	$w_2$	$w_3$	$w_4$
<b>E3030.AC0010</b>	14	20.5	11.5	10.5	10.7	4.4	2	2.6	9.7	9.8	7	3.5



E3040

CATCHES & LATCHES

**Material**

Nylon and Polyacetal (POM)

are for your own fabrication of strike to best sort your application. Suitable for panel thickness 2,1mm

**Tips**

Subject to minimum order quantity.

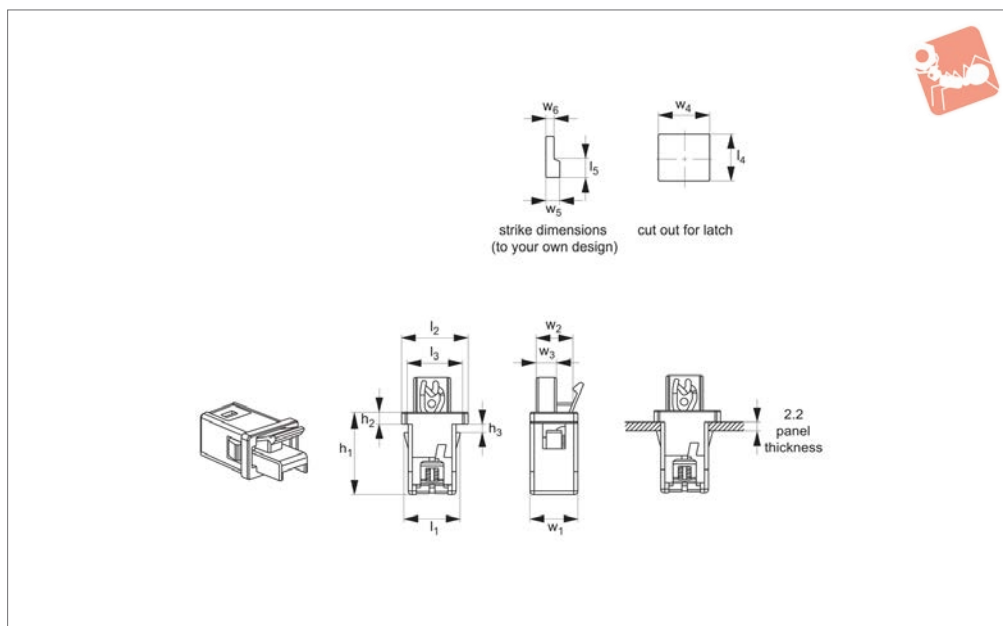
**Technical Notes**

Strikes not supplied. Dimensions shown

Order No.	$l_1$	$h_1$	$l_2$	$l_3$	$l_4$	$h_2$	$h_3$	$h_4$	$w_1$	$w_2$	$w_3$	$w_4$	$w_5$	$w_6$
E3040.AC0010	9	10.8	7.7	6.8	7	2.1	2	3.0	6.9	2.7	6.9	3.5	4.5	2.4



**E3050**



**Material**

Nylon and Polyacetal (POM)

**Technical Notes**

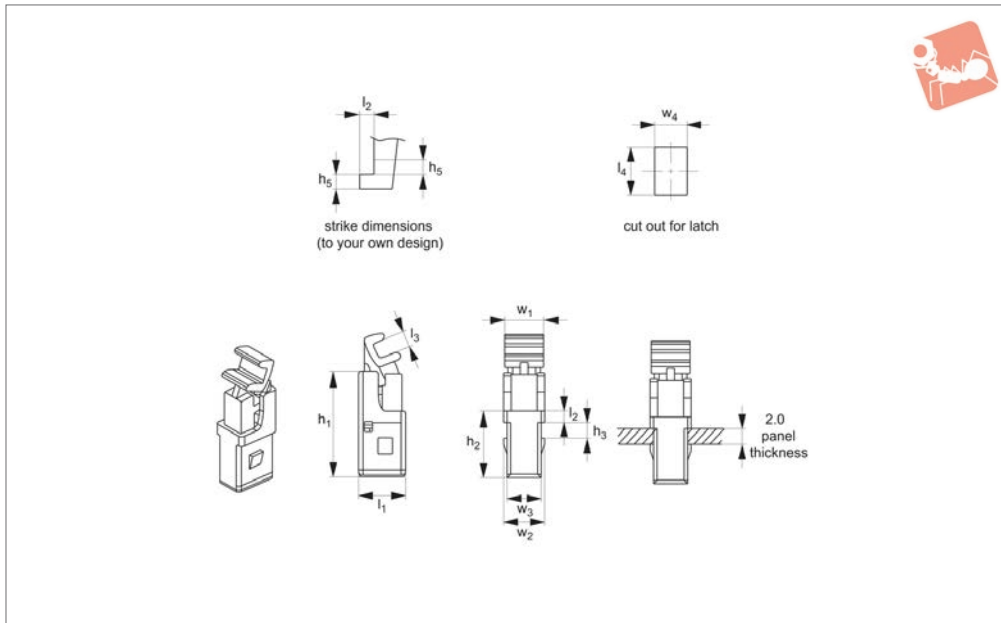
Strikes not supplied. Dimensions shown

are for your own fabrication of strike to best suit your application. Suitable for panel thickness 2,2mm

**Tips**

Subject to minimum order quantity.

Order No.	$l_1$	$h_1$	$l_2$	$l_3$	$l_4$	$l_5$	$h_2$	$h_3$	$w_1$	$w_2$	$w_3$	$w_4$	$w_5$	$w_6$
<b>E3050.AC0010</b>	14.4	21.1	17.2	12.8	12.1	4	3.0	2.2	12	9	5.15	12.9	3	1.7



**E3052**

CATCHES & LATCHES

**Material**

Nylon and Polyacetal (POM)

**Technical Notes**

Strikes not supplied. Dimensions shown

are for your own fabrication of strike to best sort your application.

Suitable for panel thickness 2,0mm

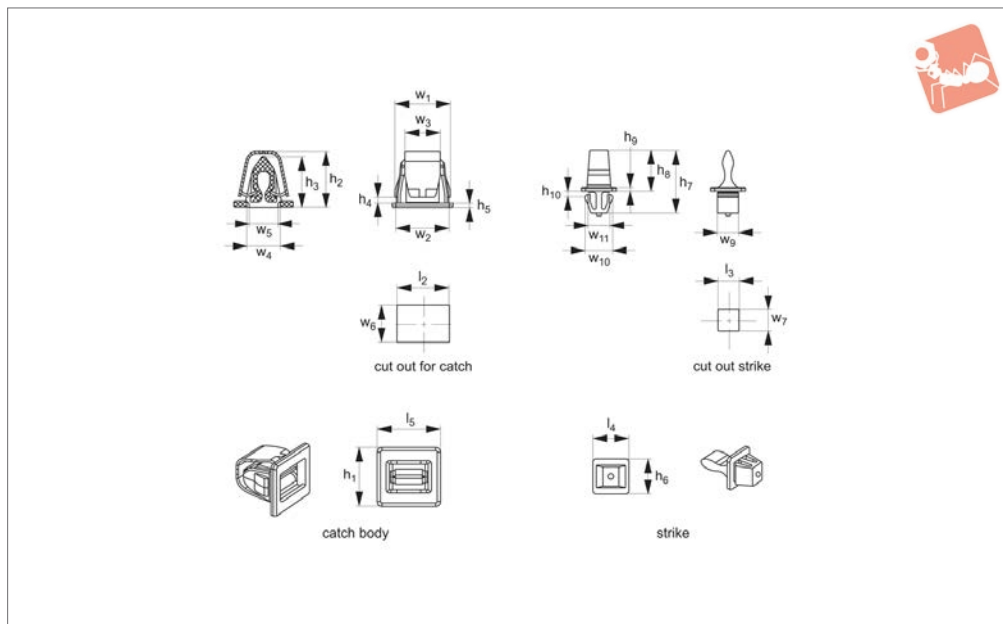
**Tips**

Subject to minimum order quantity.

Order No.	$l_1$	$h_1$	$l_2$	$l_3$	$l_4$	$h_2$	$h_3$	$h_4$	$h_5$	$w_1$	$w_2$	$w_3$	$w_4$
E3052.AC0010	6.5	14.2	2.0	2.10	6.60	9.0	2.0	1.5	1.8	5.2	5.3	4.3	4.4



## E3070



### Material

Catch and strike body: Polyacetal (POM)  
 Strike outer spring: Steel

Suitable for panel thickness 0,8-1,6mm

### Tips

Subject to minimum order quantity.

### Technical Notes

Catch body and strike supplied as pair.

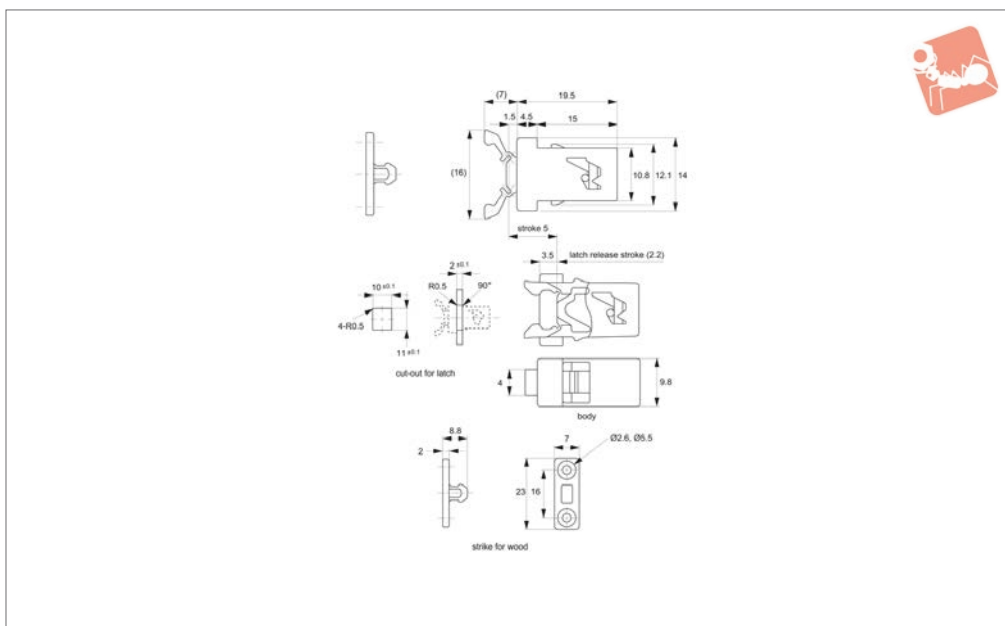
Order No.	$l_1$	$h_1$	$l_2$	$l_3$	$l_4$	$h_2$	$h_3$	$h_4$	$h_5$	$h_6$	$h_7$	
E3070.AC0010	19.7	18.0	16.7	7.2	11.0	17.2	16.2	1.8	1.5	11.3	20.0	
Order No.	$h_8$	$h_9$	$h_{10}$	$w_1$	$w_2$	$w_3$	$w_5$	$w_6$	$w_7$	$w_9$	$w_{10}$	$w_{11}$
E3070.AC0010	13.0	1.4	1.6	18.0	16.7	11.3	10.0	13.0	7.2	7	9.1	7.0



# Mini Touch Latches

non-magnetic

## Catches & Latches



### E3200

CATCHES & LATCHES

#### Material

Body: polycarbonate.  
Spring: stainless steel, AISI 304.

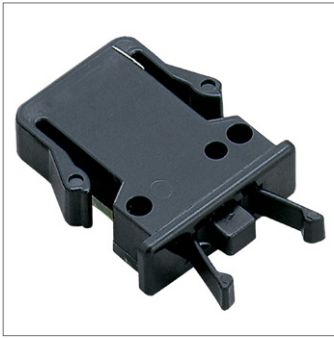
Strike: nylon.

included.

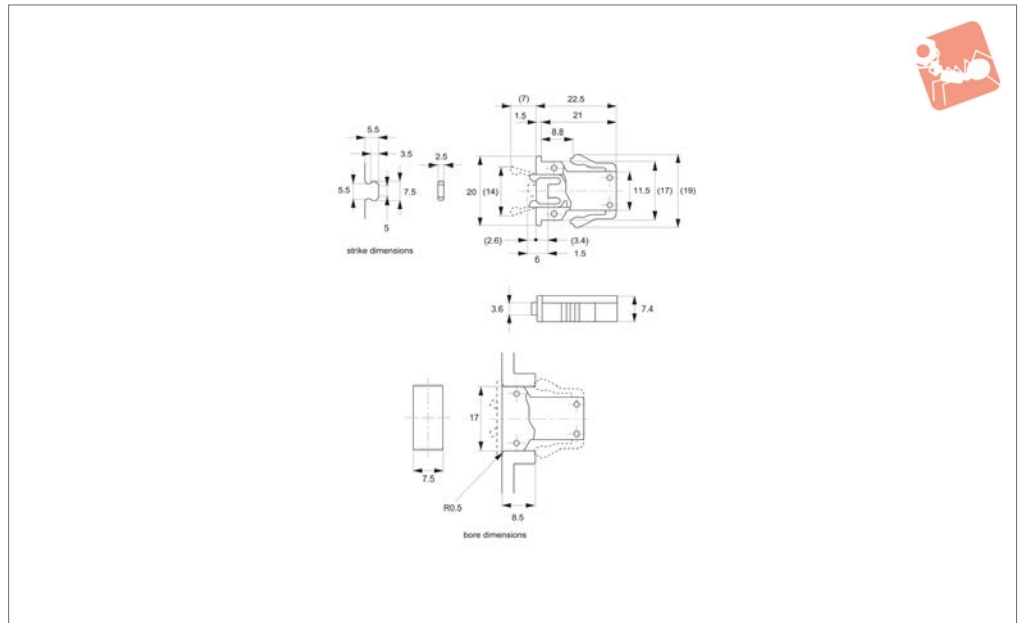
#### Technical Notes

Strikes ordered separately. Screws not

Order No.	Type	Retaining force kg	Weight g
E3200.AC0020	Latch	3.5	2.3
E3200.AC0022	Strike for Wood	3.5	0.2



**E3400**



**Material**

Body: ABS plastic.  
Strike: polyamide.

**Technical Notes**

Strike not supplied. Dimensions shown are for your own fabrication of strike to best

suit your application.

**Order No.**

E3400.AC0020

**Finish**

Black

**Weight**

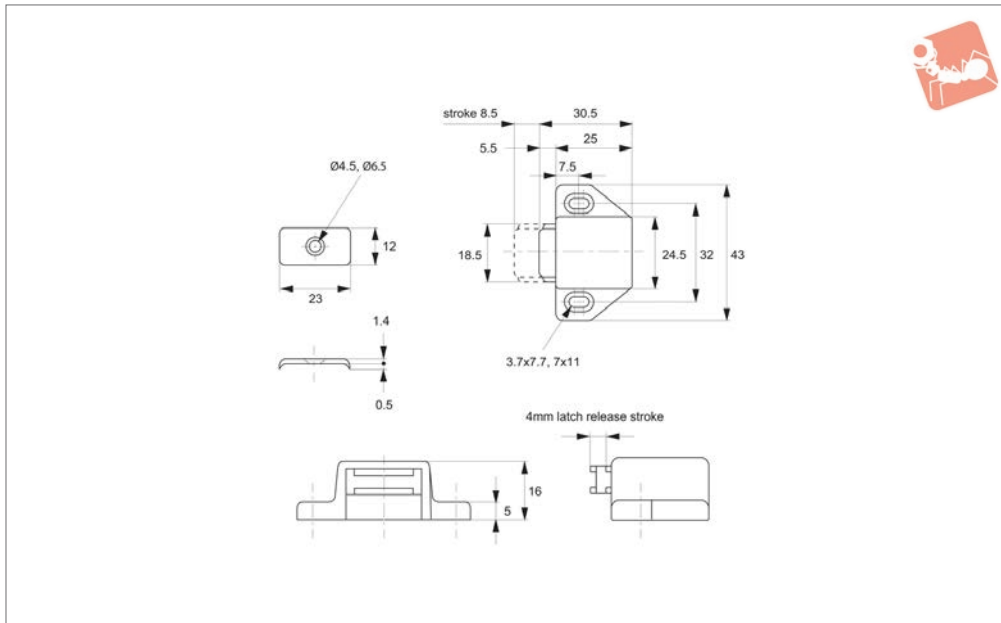
g  
2.5





# Magnetic Touch Latches for overlay doors

## Catches & Latches



### E5000

CATCHES & LATCHES

#### Material

Body: ABS plastic.  
Latch and counter plate: steel, nickel plated.

#### Technical Notes

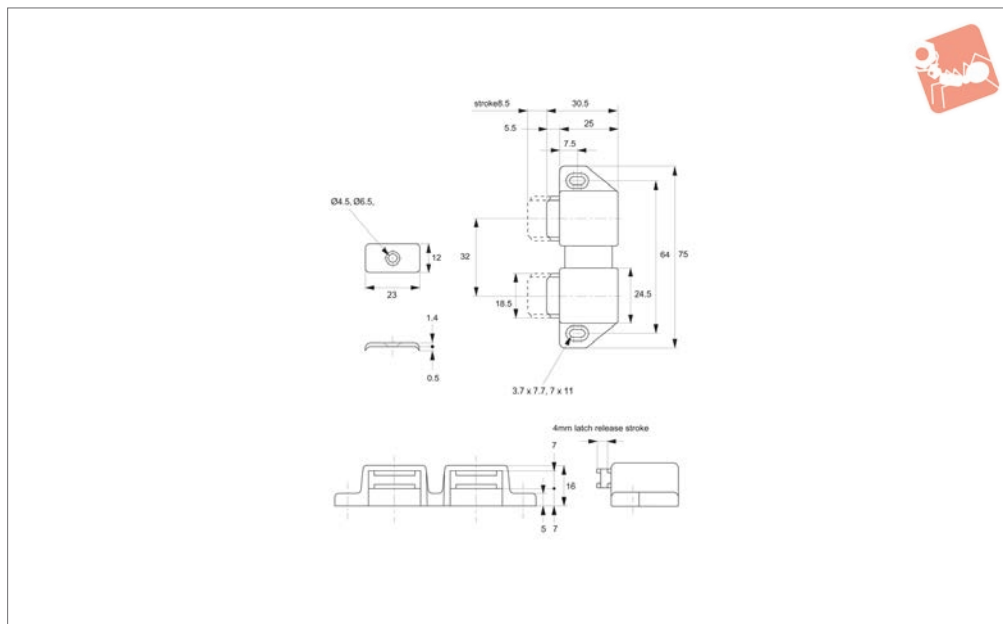
For overlay doors a 4mm gap between the door and cabinet frame is required for the latch release stroke.

Supplied with screws (3.1x13).

Order No.	Finish	Magnetic force kgf	Weight g
E5000.AC0010	White	1.2	22.5
E5000.AC0030	Brown	1.2	22.5



## E5100



### Material

Body: ABS plastic.  
Latch and counter plate: steel, nickel plated.

### Technical Notes

For overlay doors a 4mm gap between the door and cabinet frame is required for the latch release stroke.

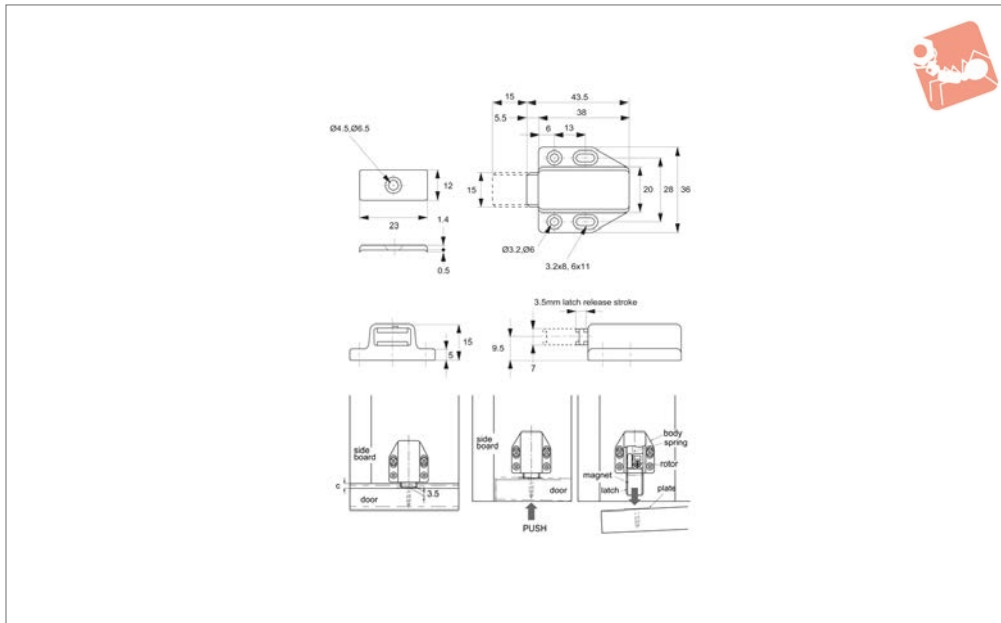
Supplied with screws (3.1x13).

Order No.	Finish	Magnetic force kgf	Weight g
E5100.AC0010	White	1.2	42
E5100.AC0030	Brown	1.2	42



# Magnetic Touch Latches for overlay doors

## Catches & Latches



**E5200**

CATCHES & LATCHES

### Material

Body: ABS plastic.  
Latch and catch plate: steel, yellow zinc chromate.

### Technical Notes

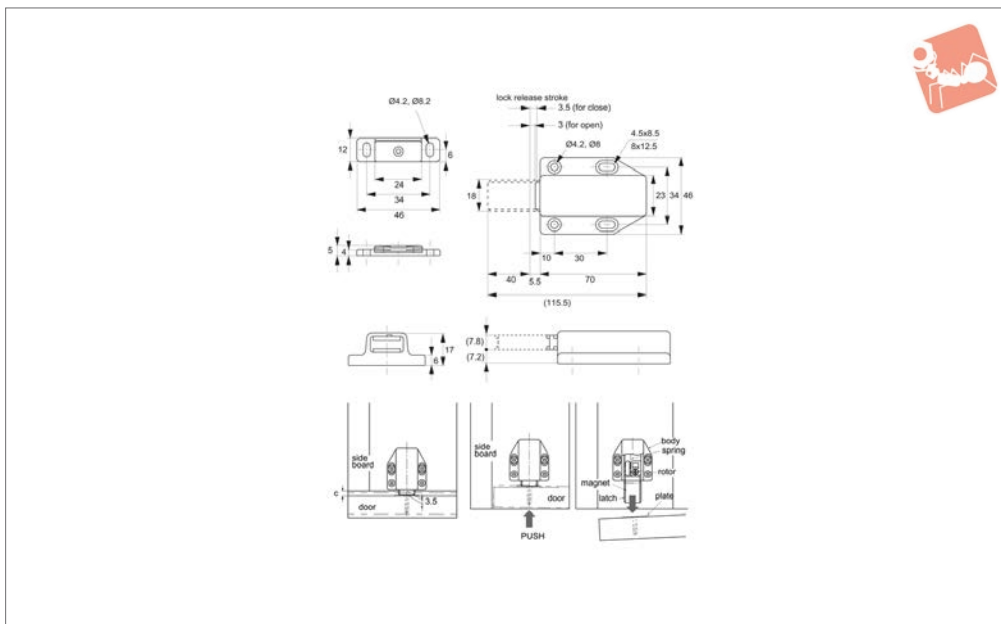
Push to open/close.  
For overlay doors, a 3,5mm gap between door and cabinet frame is required for the

latch release stroke.  
Supplied with screws (2.7x13)

Order No.	Finish	Magnetic force kgf	Weight g
E5200.AC0010	White	1.6	22
E5200.AC0030	Brown	1.6	22
E5200.AC0020	Black	1.6	22



## E5250



### Material

Body: ABS plastic.

Latch and catch plate: steel, yellow zinc chromate.

### Technical Notes

Push to open/close. For overlay push to

open/close doors, a 3,5mm gap between door and cabinet frame is required for push space.

### Tips

E5250 has an extended/long stroke of 40mm to ensure full and positive move-

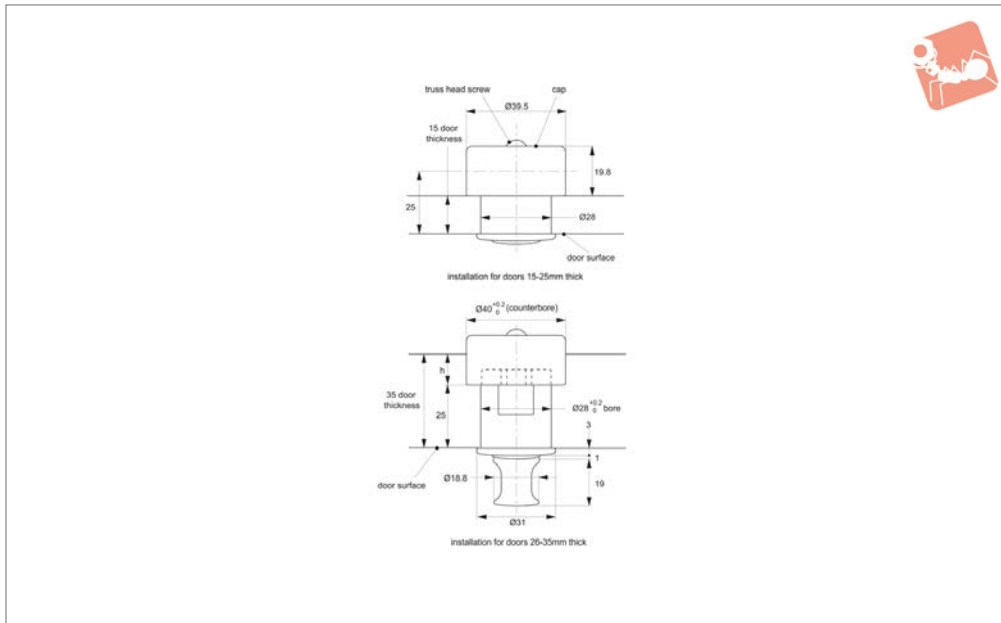
ment of door upon actuation.

Order No.	Finish	Magnetic force kgf	Weight g
E5250.AC0010	White	2.4	53
E5250.AC0030	Brown	2.4	53



# Push Knobs no latch

# Catches & Latches



**E0300**

CATCHES & LATCHES

**Material**

Push knob: zinc alloy, plated gold or chrome.  
Body: ABS plastic, black.

35mm.

When installed push knob is near flush with surface, raised only 4mm.  
Supplied with screws (M 3x20).

bore is required.

For surfaces 26 to 35mm thick, 40mm dia. counter bore of depth „h“ is required.  
h = door thickness - 25mm.

**Technical Notes**

Suitable for door/wall thicknesses 15 to

**Tips**

For surfaces 15 to 25mm thick no counter

Order No.	Finish	Weight g
E0300.AC0030	Gold	67
E0300.AC0040	Chrome	67

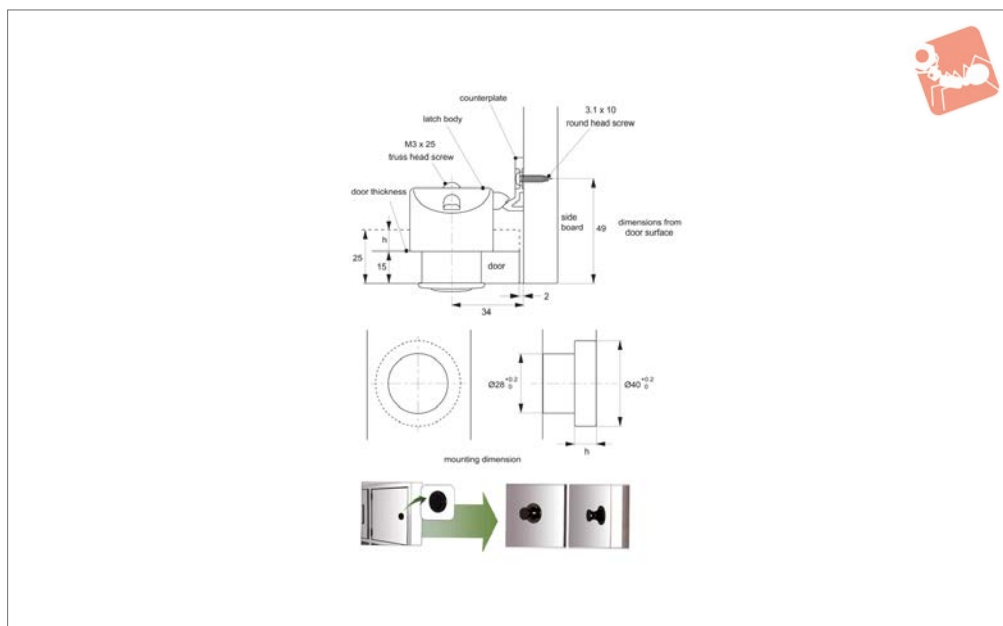


Gold

Chrome



**E0800**



**Material**

Push knob: zinc alloy.  
Body and catch plate: ABS plastic, black.

**Technical Notes**

Suitable for door/wall thicknesses 15 to 30mm. For 13mm door use a 2mm plastic spacer (order separately).  
When installed the push knob is near flush, raised only 4mm from surface.  
Supplied with screws (M 3.1x10 and M

3.1x28), and catch plate.

**Tips**

**To operate the push knob:**

- Step 1:** door closed, latch is engaged.
- Step 2:** depress knob to flush position to lock.
- Step 3:** depress knob to the out position to unlock latch.

For surfaces between 15 to 25mm thick no

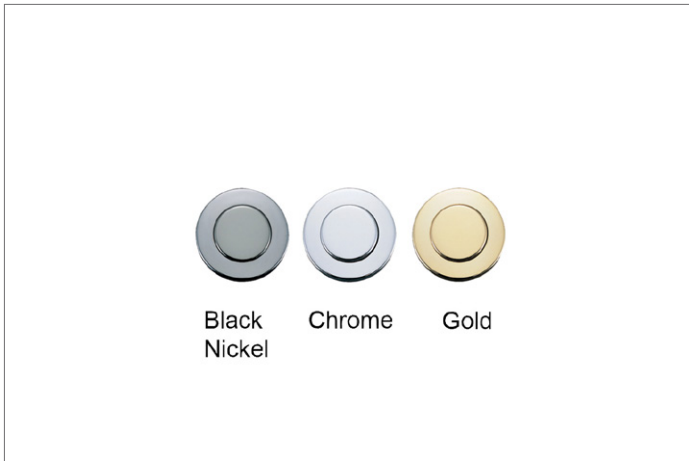
counter bore is required.

For surfaces from 26 to 35mm thick, 40mm dia. counter bore of depth „h“ is required.  
h = door thickness - 25mm.

**Important Notes**

Do not activate the latch before closing the door, it may damage the unit.  
Other dimensions as per E0300 <X\E0300#24>. See diagram for mounting dimensions.

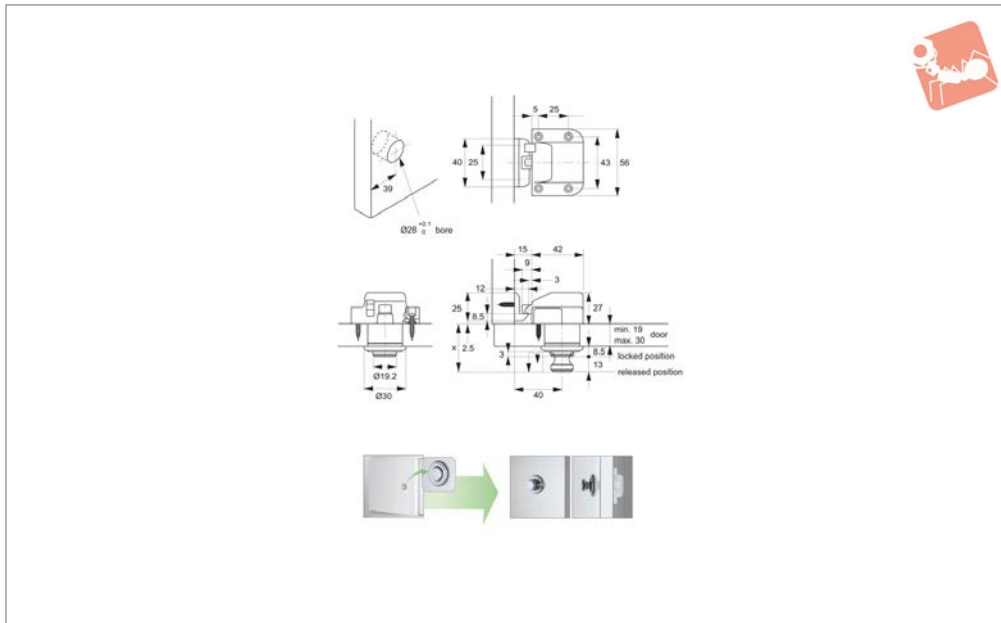
Order No.	Finish	Description	Holding force kg	Weight g
E0800.AC0030	Gold	Push Knob	10	93
E0800.AC0040	Chrome	Push Knob	10	93
E0800.AC0050	Black Nickel	Push Knob	10	93
E0800.AC0720	Black	Spacer 2mm	-	2





# Push Knobs with latch - for overlay doors

## Catches & Latches



**E1400**

CATCHES & LATCHES

### Material

Push button: brass, finished in chrome, satin nickel, satin or polished brass plating.

Push button base: zinc alloy.

Latch body and catch: polyamide.

### Technical Notes

Suitable for door thicknesses 19 to 30mm.

Supplied with stainless steel screw (3x16, 3x20).

### Important Notes

For correct positioning of push knob from the door surface refer to dimension „x“ on installation diagram.

„x“ is calculated as:

$$x = \text{door thickness} + 21,5\text{mm}$$

Push knob supplied with two threaded studs of 24mm and 30mm, interchange of stud enables correct positioning of knob to door surface, i.e. dimension „x“.

Order No.	Finish	Holding force kg	Weight g
E1400.AC0040	Chrome	20	103
E1400.AC0060	Satin Nickel	20	103
E1400.AC0070	Satin Brass	20	103
E1400.AC0080	Polished Brass	20	103



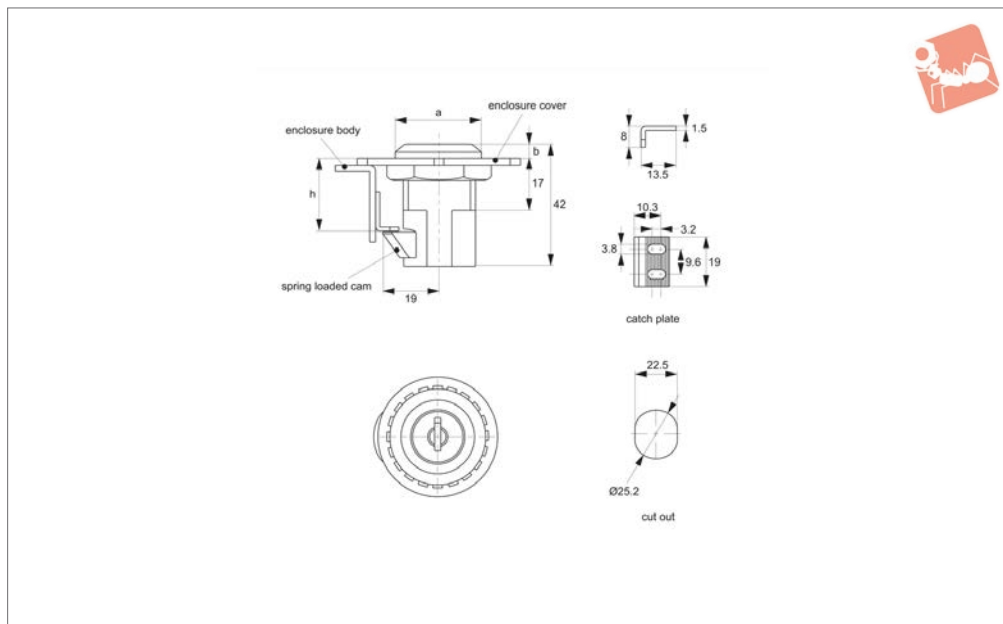
Brass

Nickel

Chrome



**E1600**



### Material

Body: die cast zinc, chrome plated.  
 Cylinder lock: die cast zinc, chrome plated.  
 Lock bolt: die cast zinc.

**Supplied with:** Keys: two per lock.

**Not Supplied:** Catch Plate: order separa-

tely.

### Technical Notes

Suitable for panel thickness 1-15mm.  
 When installed lock is, 5mm above surface.

On closing of panel, special contour of the spring loaded cam allows it to be guided over the catch plate, then springs back to lock in place. To open panel, actuate key to release cam, and pull. Cam has stroke of approx, 8mm. Order catch plate separately.

Order No.	Type	Lock type	Key type	a	b	h grip length
E1600.AW0010	Push Lock	Std. Cylinder	Keyed Alike	29	5	25

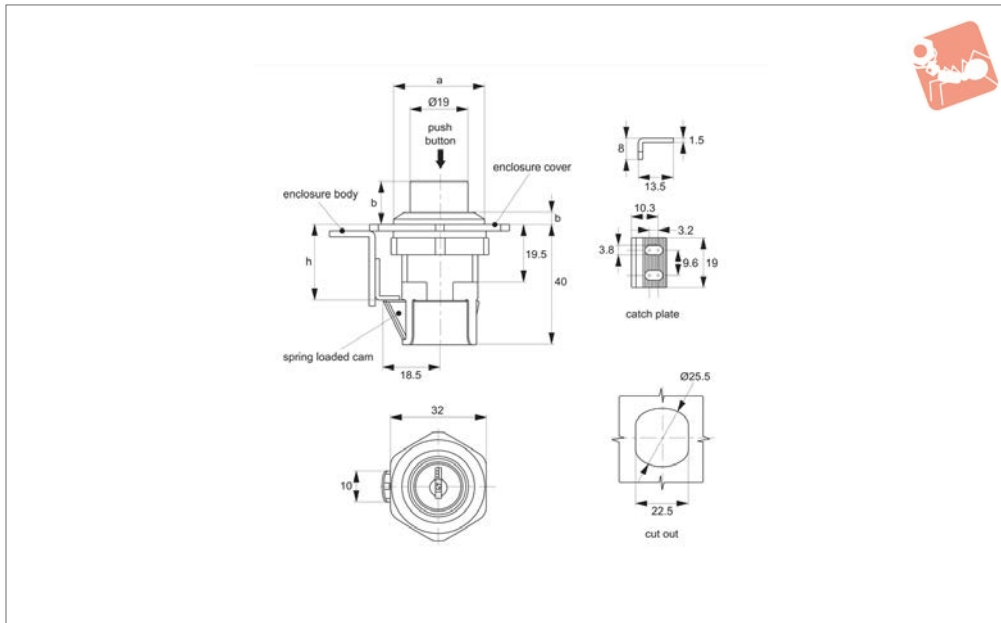






# Push Lock - Spring Loaded Cam - Push standard cylinder lock - fixed grip - polycarbonate

## Catches & Latches



**E1602**

CATCHES & LATCHES

### Material

Body: polycarbonate, black.  
Cylinder Lock: polycarbonate, black.  
**Supplied With:** Keys: two per lock.  
**Not supplied:** Catch plate: order separately.

### Technical Notes

Suitable for door thickness 1-16mm.

### Tips

On closing of panel, special contour of the spring loaded cam allows it to be guided

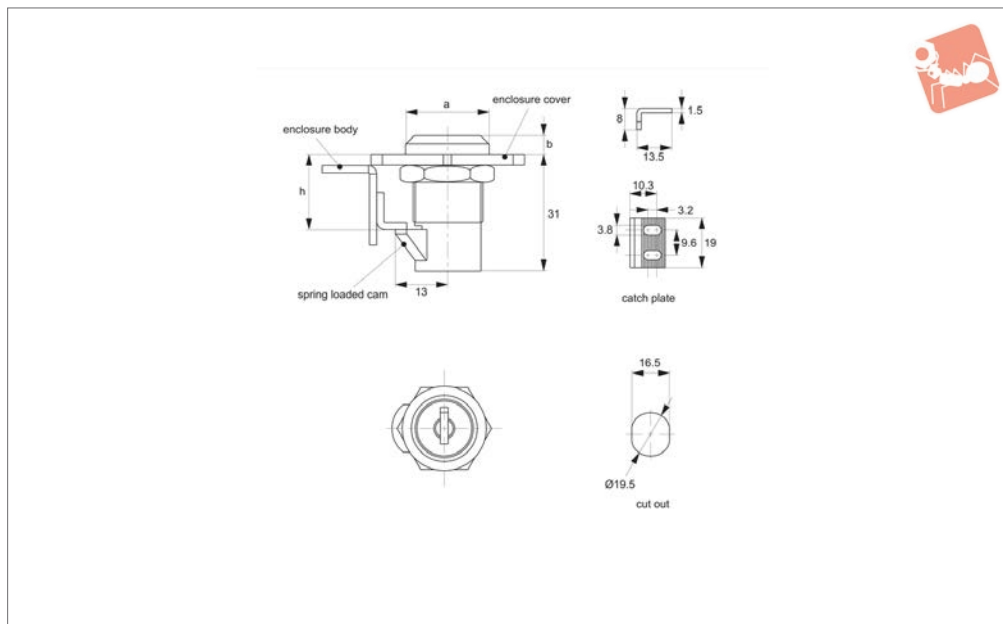
over the catch plate, then springs back to lock in place. To open panel, actuate key and depress push button to release cam then pull to open. Optional finger pull can assist in opening (please order separately). Cam has stroke of approx. 8mm.

Order No.	Type	Lock type	Key type	a	b	h grip length
E1602.AW0010	Push Lock	Std. Cylinder	Keyed Alike	30	4	25





### E1604



#### Material

Body & insert: die cast zinc, chrome plated.  
Cylinder lock: die cast zinc, chrome plated with dust cap.

**Supplied With:** Keys: two per lock.

**Not supplied:** Catch plated: order separa-

tely.

#### Technical Notes

On closing of panel, special contour of the spring loaded cam allows it to be guided over the catch plate, then springs back to

lock in place. To open panel, actuate key to release cam and pull. Cam has stroke of approx. 8 mm. Order catch plate separately.

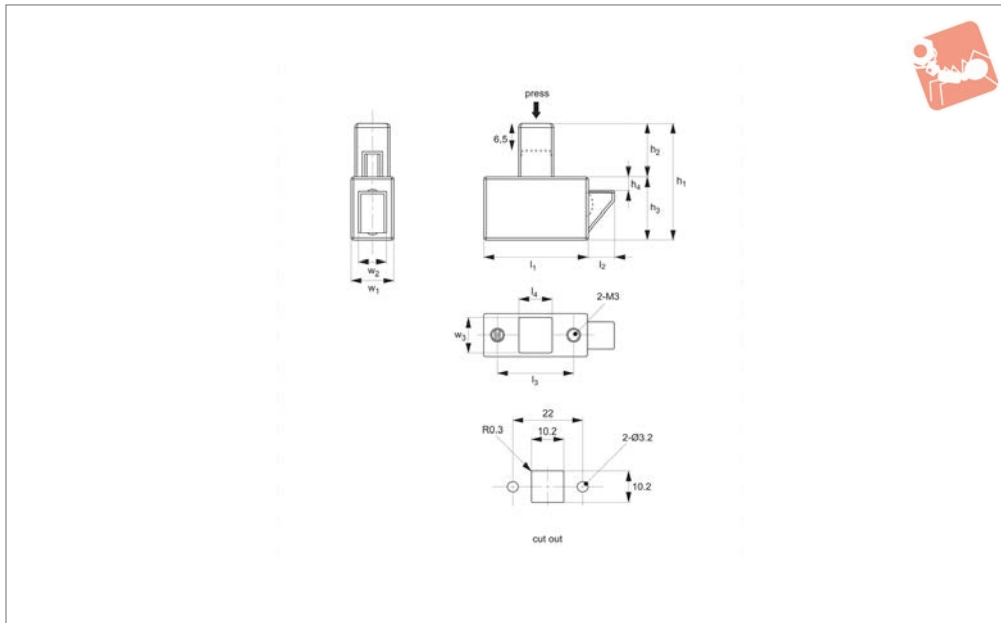
Order No.	Actuation	Lock type	Key type	a	b	h grip length
E1604.AW0010	Push Lock	Std. Cylinder	Keyed Alike	22.5	5	20



# Push Latch - Spring Loaded Cam

zinc

## Catches & Latches



**E1670**

CATCHES & LATCHES

### Material

Housing & Button: die cast zinc, nickel plated. IP54 rated.

### Technical Notes

Mounted under panel surface so only

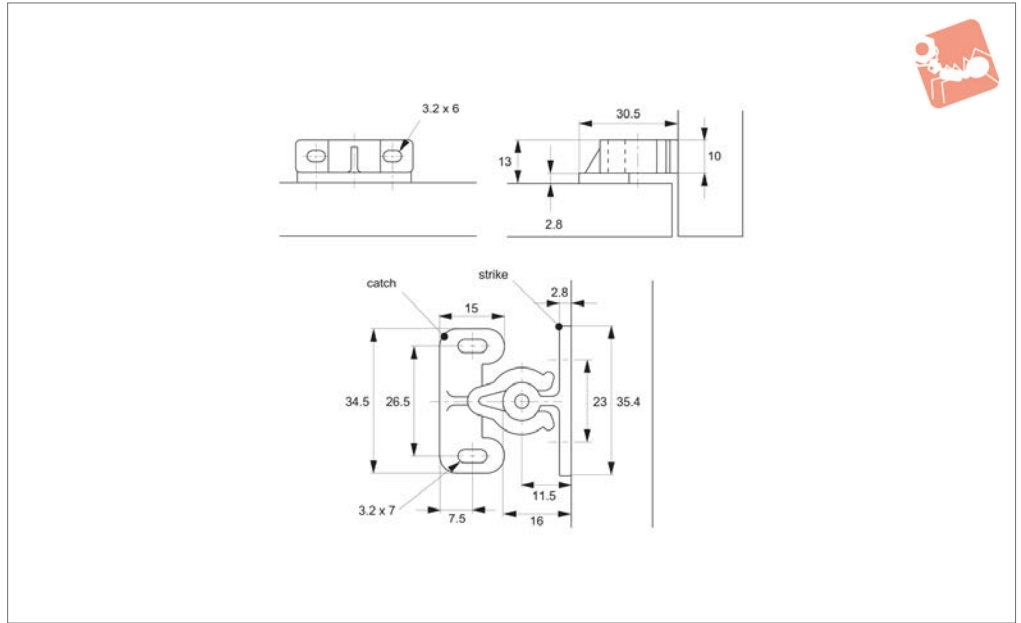
button exposed. Mount with 2 x M 3 screws.

Depress button to retract catch and open panel. Catch has stroke of approx. 7mm.

Order No.	$l_1$	$l_2$	$l_3$	$l_4$	$h_1$	$h_2$	$h_3$	$h_4$	$w_1$	$w_2$	$w_3$
E1670.AW0010	30	7	22	10	32.6	15	17.6	4	12	8	10



**E2050**



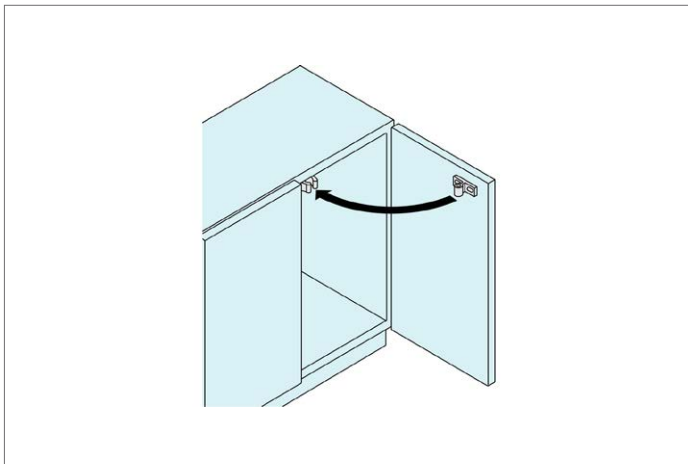
**Material**

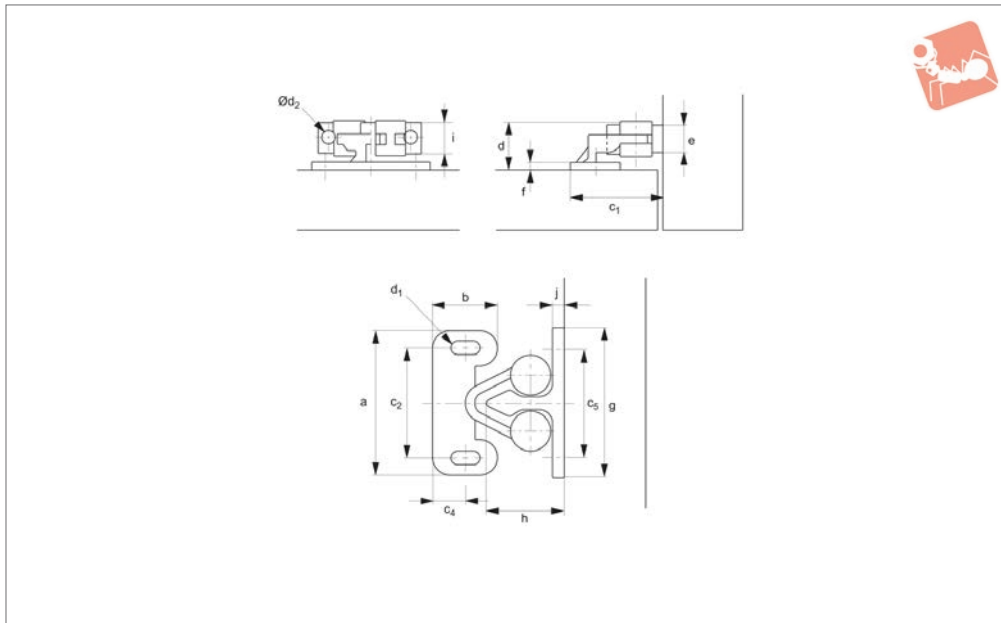
Catch: polyacetal, white.  
Strike: polyamide, white.

**Technical Notes**

Screws not supplied.

Order No.	Push in force kg	Pull out force kg	Weight g
E2050.AC0010	5.7	7.1	4.5





## E2070

CATCHES & LATCHES

### Material

Strike and catch: polyacetal.  
Roller: polyethylene.

### Technical Notes

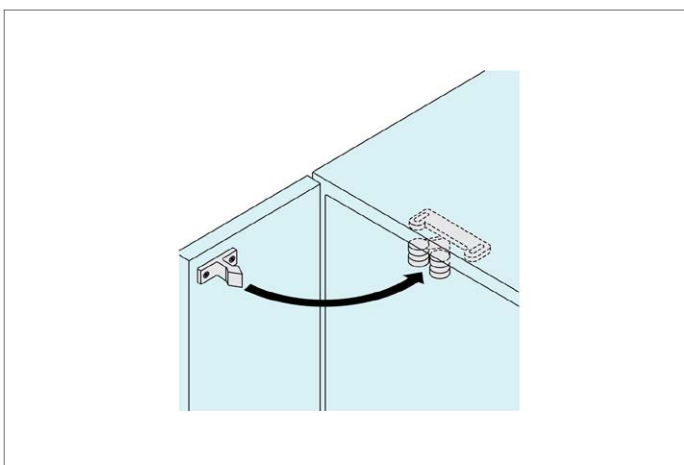
This catch has been tested to 300,000 cycles.

Screws not supplied.

Order No.	Finish	a	Push in force kg	Pull out force kg	b	c <sub>1</sub>	c <sub>2</sub>	c <sub>3</sub>	c <sub>4</sub>	Weight g
E2070.AC0010	White	29.0	1.1	1.6	12	21.2	21.5	6.0	20.0	3
E2070.AC0015	Brown	31.3	2.2	3.2	14	27.2	24.4	7.5	23.6	4

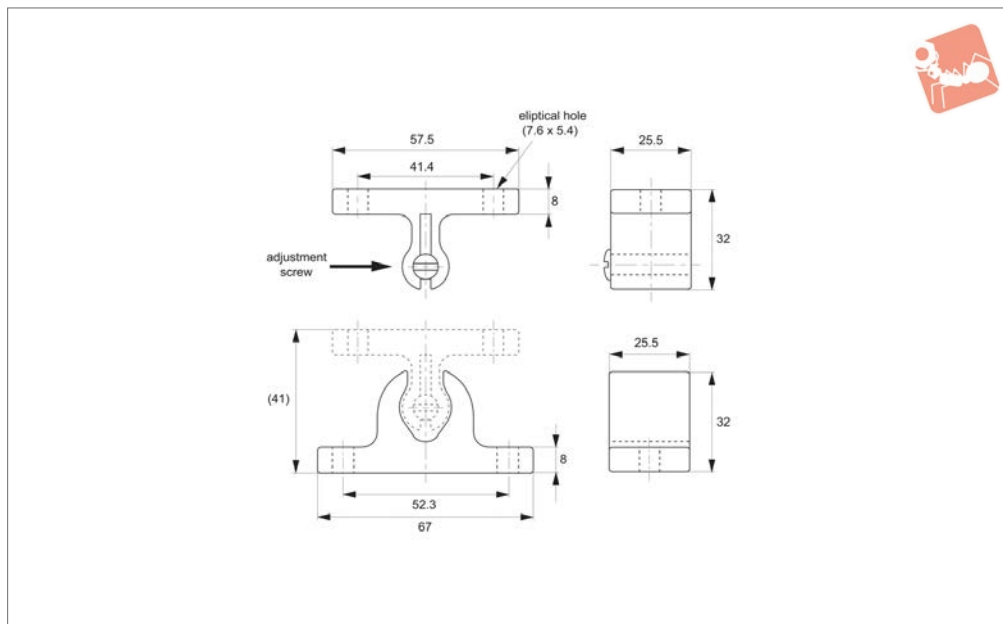
  

Order No.	d	d <sub>1</sub>	d <sub>2</sub>	e	f	g	h	i	j
E2070.AC0010	11.3	3,1x7	3.0	8	2.0	26	13.5	7.5	1.7
E2070.AC0015	12.6	3,1x7	3.1	9	2.3	32	16.5	9.0	2.0





**E2100**



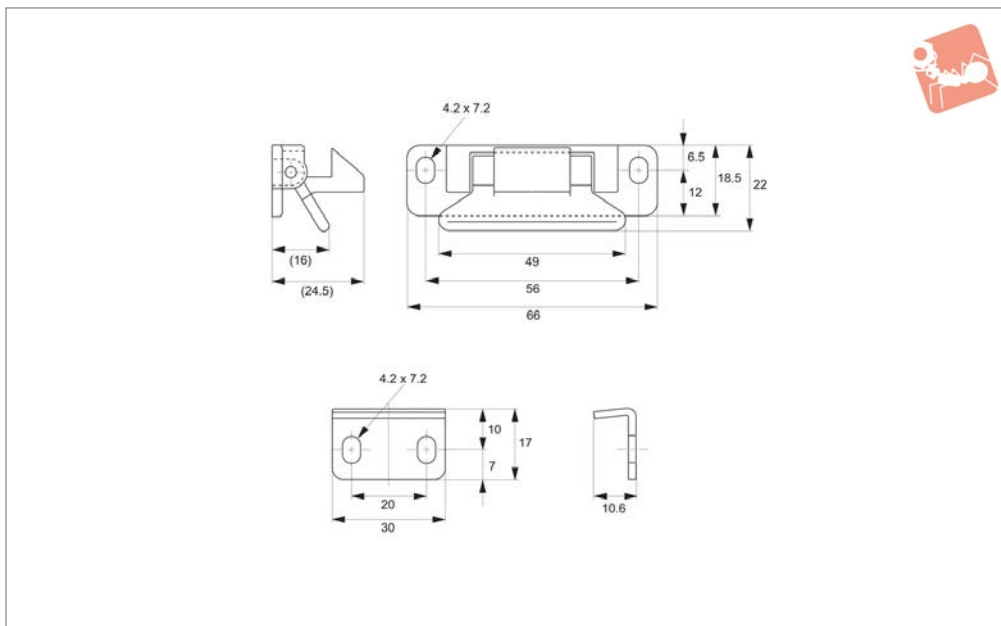
**Material**  
Nylon.

to hold the catch can be varied. Holding force of up to 20Kg.

**Technical Notes**

By adjusting the screw the force required

Order No.	Finish	Push in force kg min.	Push in force kg kg max.	Pull out force kg min.	Pull out force kg kg max.	Weight g
E2100.AC0010	White	13	27	8	20	42
E2100.AC0020	Black	13	27	8	20	42



**E2001**

CATCHES & LATCHES

**Material**

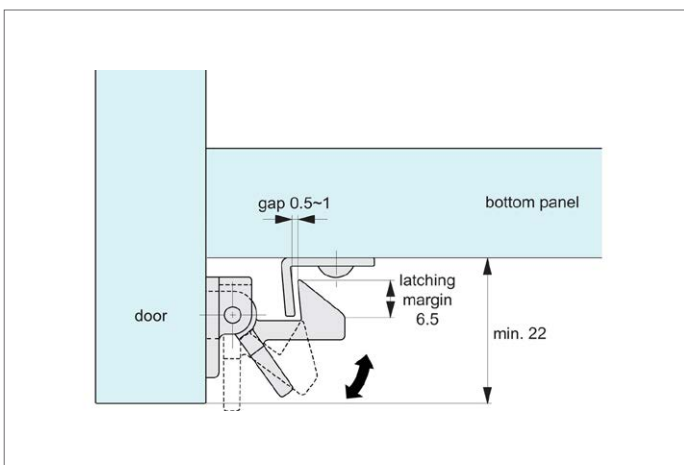
Body: polyamide.  
Counterplate: steel.

**Technical Notes**

Designed for use on door/ panel without handle or knob, to provide concealed

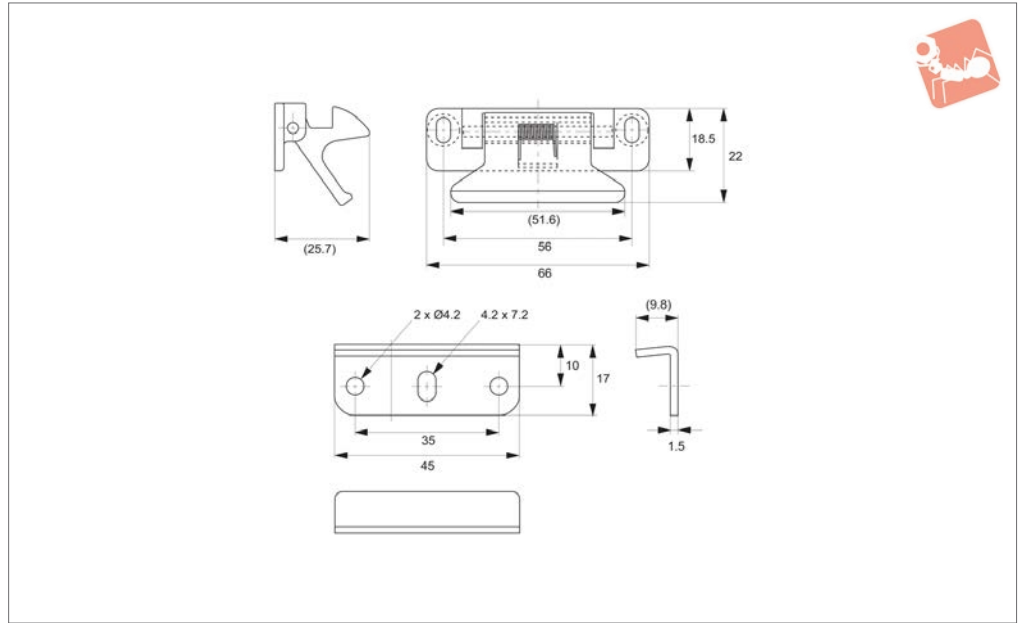
locking of panel.  
Screws not supplied.

Order No.	Finish	Holding force kg	Weight g
E2001.AC0010	White	20	25
E2001.AC0020	Brown	20	25





**E2002**

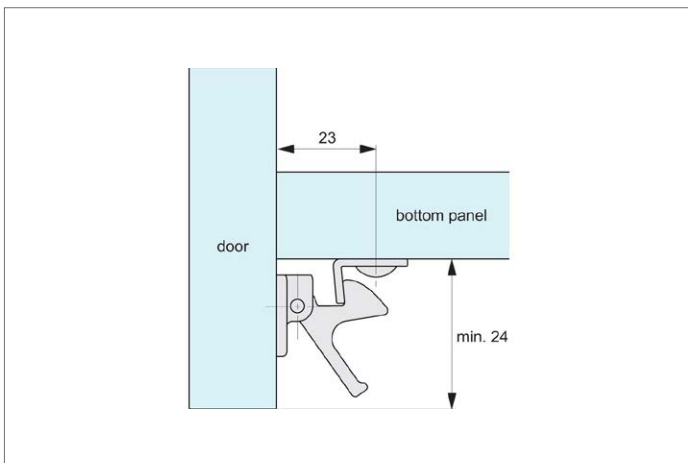


**Material**  
Stainless steel, AISI 316.

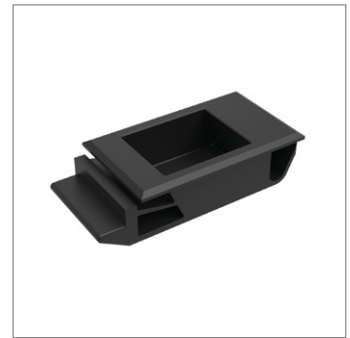
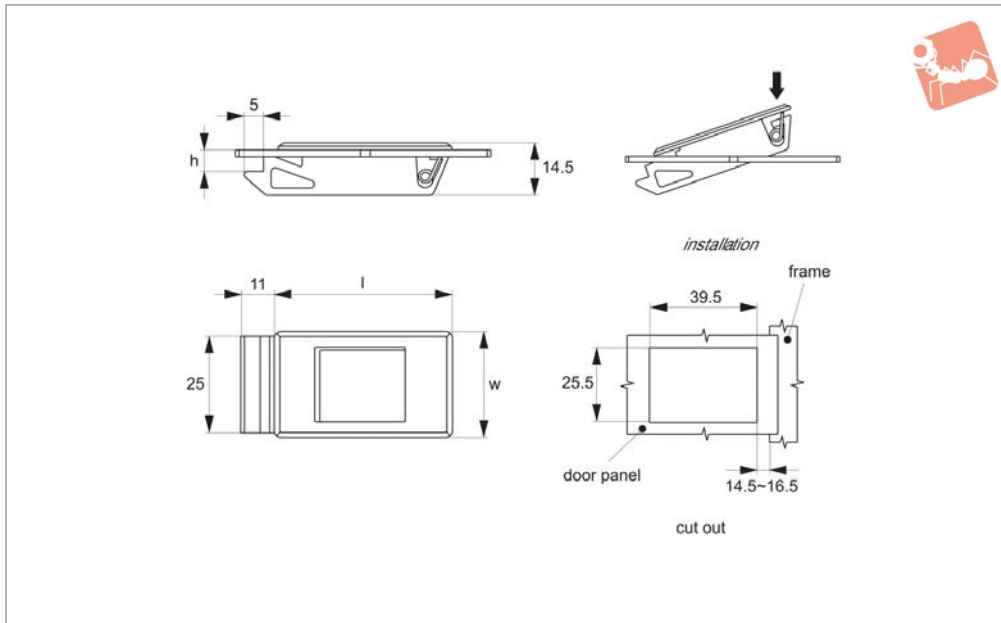
**Technical Notes**  
Screws not supplied.

This lever catch is designed for use on door without knob or handle, to provide concealed latching and securing of panel.

Order No.	Finish	Holding force kg	Weight g
E2002.AC0530	Stainless Steel	20	85







### E2021

CATCHES & LATCHES

#### Material

ABS plastic resin, stainless steel spring.

2mm. Ideal for small metal machinery covers.

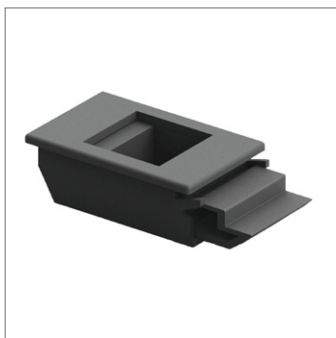
#### Technical Notes

Suitable for panel thickness 1.5mm or

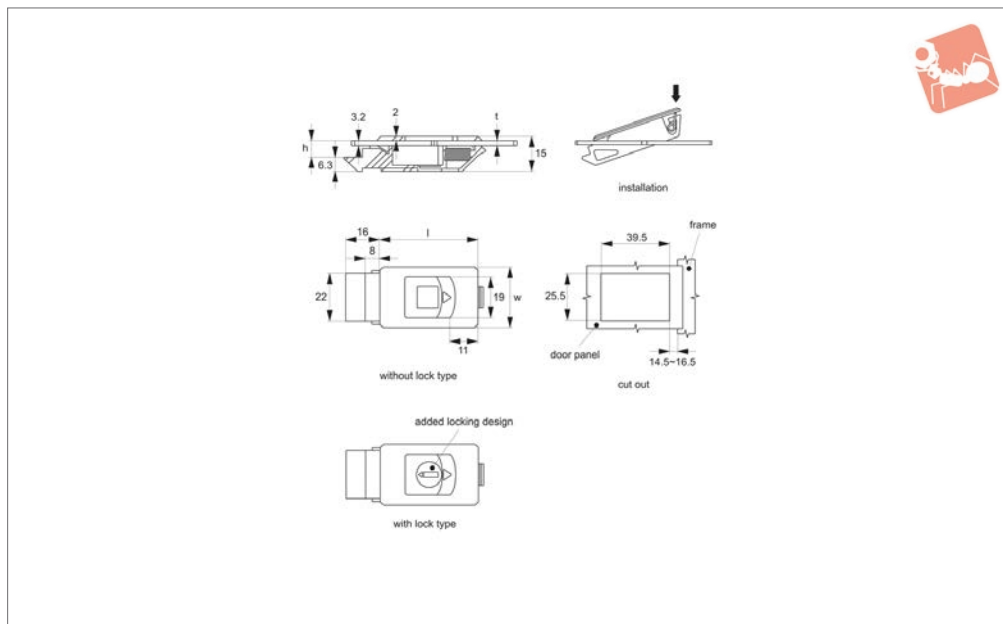
Pull back latch to open panel, release and latch is returned due to internal spring.

Order No.	Colour	For panel thickness	h grip length	l	w
E2021.AW0010	Grey	1.5	6	47	28
E2021.AW0020	Black	1.5	6	47	28
E2021.AW0310	Grey	2.0	6	47	28
E2021.AW0320	Black	2.0	6	47	28





## E2031



### Material

ABS plastic and stainless steel spring.

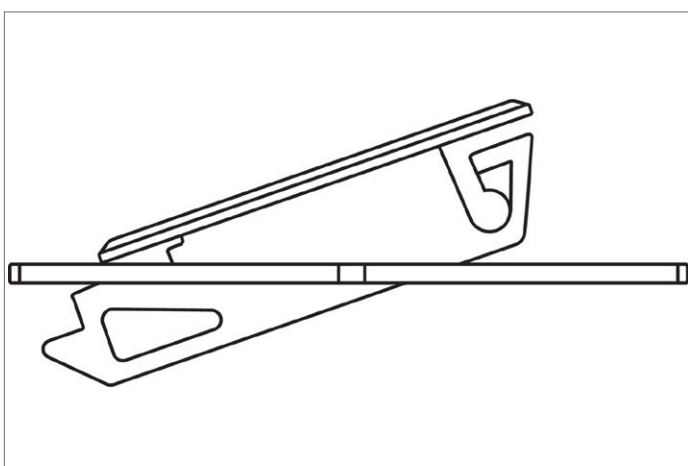
### Technical Notes

Ideal for small metal machinery covers.

Uniquely different from our standard slide latch E2021 in the addition of an internal release catch - hence this latch does not slide over surface in order to actuate.

Suitable for panel thickness 1 - 2 mm.

Order No.	Colour	Type	Panel thickness min.   max.	h grip length	l	w
E2031.AW0010	Grey	W/o Lock	1-2	6.7	45	28
E2031.AW0020	Black	W/o Lock	1-2	6.7	45	28
E2031.AW0310	Grey	With Lock	1-2	6.7	45	28
E2031.AW0320	Black	With Lock	1-2	6.7	45	28

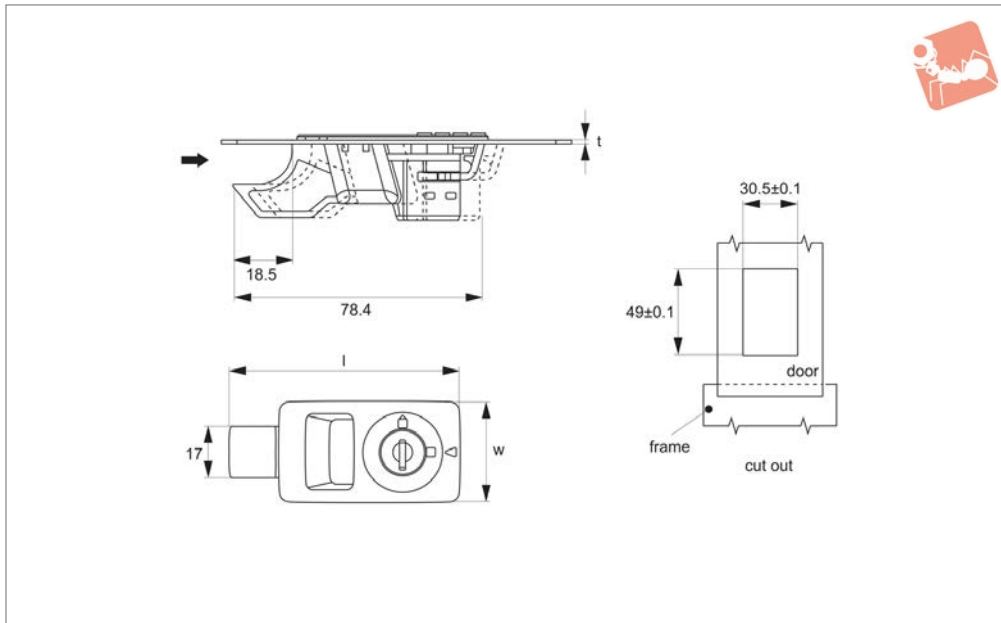




# Touch Latches - Flush

snap-in installation - with secondary lock

## Catches & Latches



**E2034**

CATCHES & LATCHES

**Material**

ABS material, black.

**Supplied with:** Key.

**Technical Notes**

Suitable for panel thickness 1.8 - 2.1mm.

Insert and turn key 90° to retract cam and release. Cam stroke of 6,5mm.

user.

**Tips**

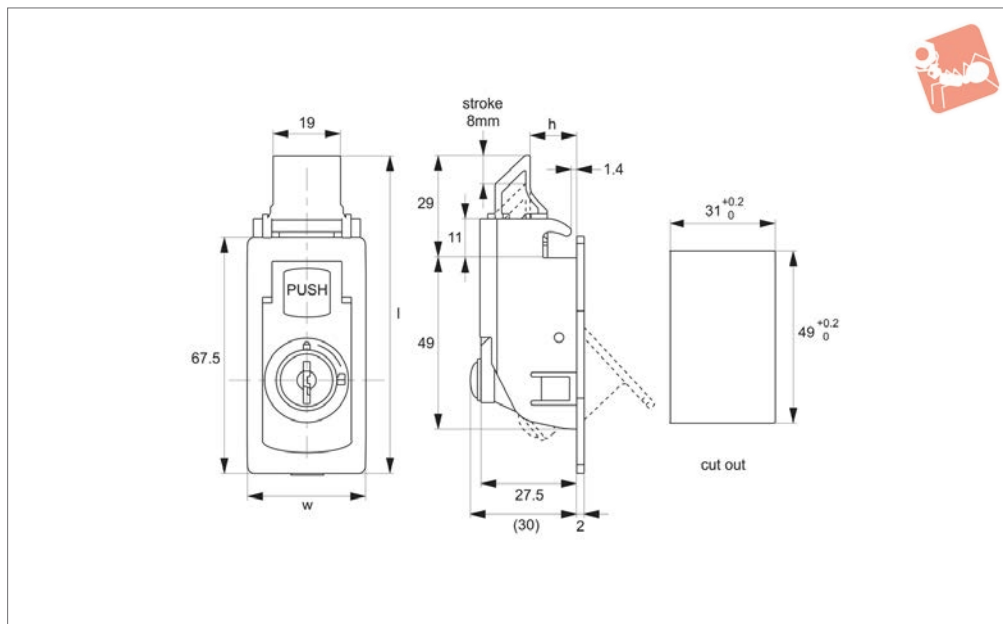
Ideal for small metal machinery covers.

Not included: Catch plate - designed by

Order No.	Type	t panel thickness min.   max.	l	w	Catch stroke
E2034.AW0010	With Lock	1,8 - 2,1	75.8	34	6.5



**E2036**



**Material**

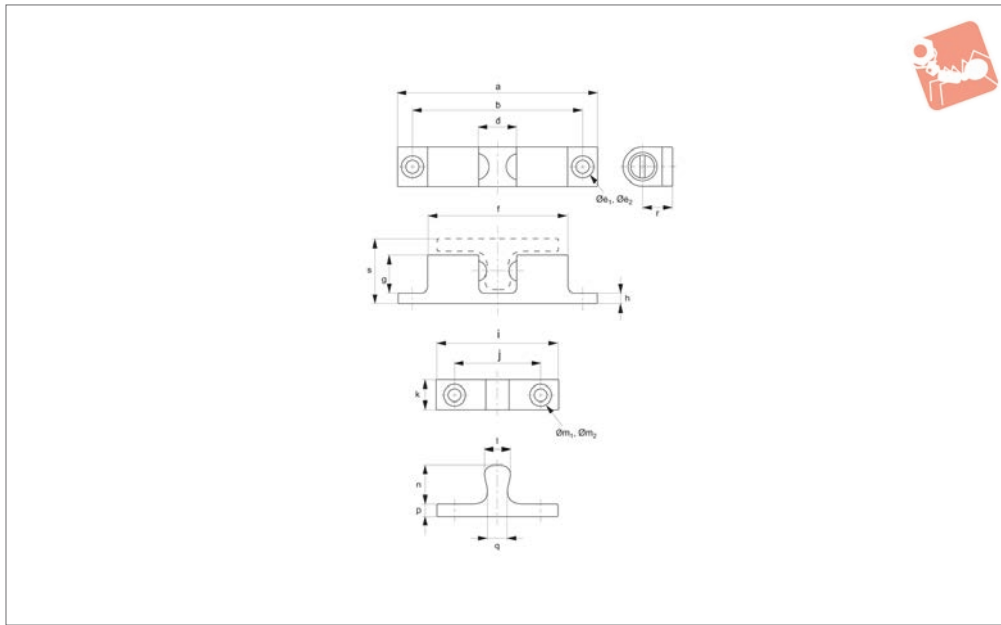
Polyamide, plastic (PA), black  
**Supplied with:** Keys: two per lock.

**Tips**

Insert key, turn 90° to release handle, depress handle as indicated to lift handle

and release cam. Ideal for small metal machinery covers. Cam has stroke of 8mm.

Order No.	Type	Panel thickness	h grip length	l	w	Catch stroke
E2036.AW0010	With Lock	1.4	13.3	90.55	34	8



## E4000

CATCHES & LATCHES

### Material

Body: zinc alloy, chrome finish.  
Ball: ball bearing stainless steel.

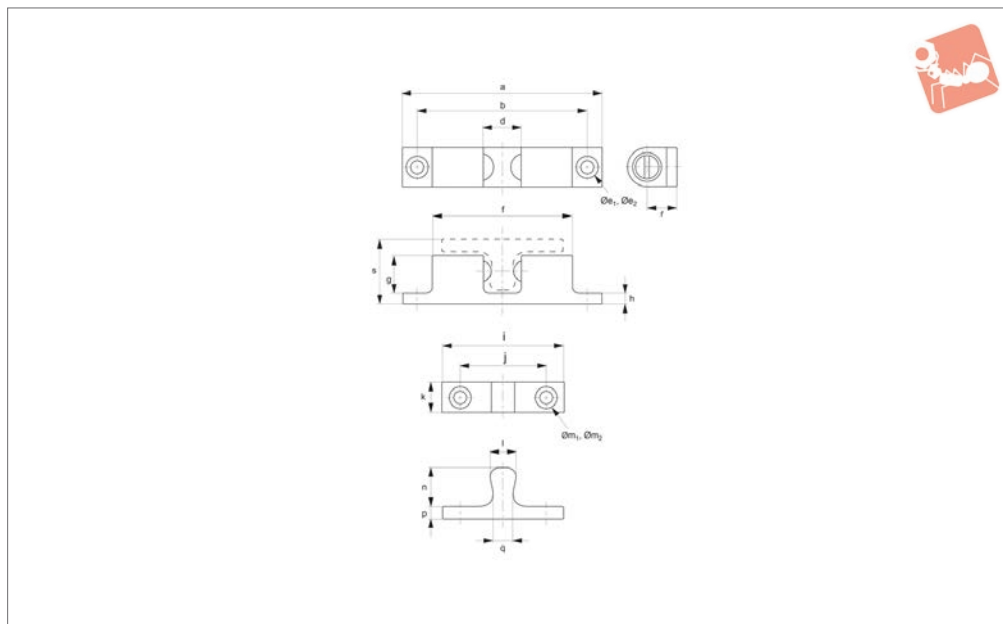
Order No.	Push in force kgf		Pulling force kgf		a	b	c	d	Ø e <sub>1</sub>	Ø e <sub>2</sub>	Weight g			
E4000.AC0040	4.4		3.0		42.5	35	8.0	6.3	3.2	6.2	16			
E4000.AC0050	4.1		3.3		50.0	40	10.0	8.4	4.2	8.2	26			
E4000.AC0070	4.6		3.5		70.0	60	13.5	13.0	4.2	8.2	70			

Order No.	f	g	h	i	j	k	l	Ø m <sub>1</sub>	Ø m <sub>2</sub>	n	p	q	r	s
E4000.AC0040	26.7	7.5	2.5	25	16	7.5	5.5	3.2	6.2	8.8	2.5	3.7	6.5	14.0
E4000.AC0050	29.8	9.5	3.0	30	20	9.0	7.3	4.2	8.2	9.8	2.5	4.7	7.4	16.0
E4000.AC0070	49.0	13.0	4.0	42	30	10.5	11.0	4.2	8.2	14.2	3.0	8.2	11.0	21.2



## E4100



### Material

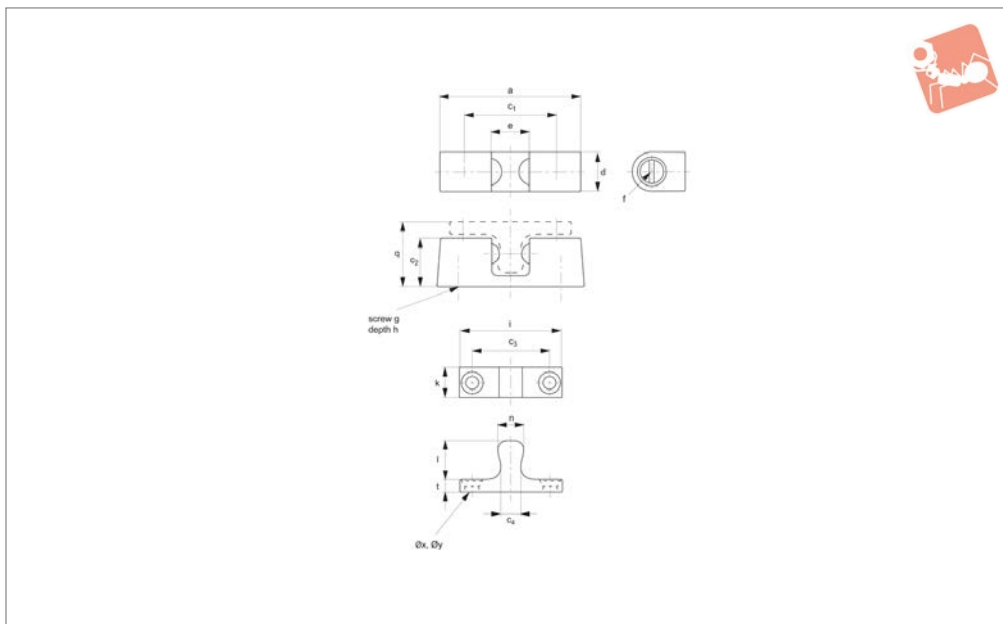
Body: stainless steel, AISI 316, polished.

Ball: ball bearing stainless steel.

Order No.	Push in force kgf		Pulling force kgf		a	b	c	d	e <sub>1</sub>	e <sub>2</sub>	Weight g			
E4100.AC0040	2.0	1.3	43	35	8	5.9	3.2	6.2	18					
E4100.AC0050	2.3	1.8	50	40	10	7.5	4.2	8.2	30					
E4100.AC0070	5.7	3.9	70	60	13	13.0	4.2	8.2	83					

Order No.	f	g	h	i	j	k	l	m <sub>1</sub>	m <sub>2</sub>	n	p	q	r	s
E4100.AC0040	28.4	7.5	2.5	25	16	7.5	4.5	3.2	6.2	8.5	2.5	2.7	6.0	13.5
E4100.AC0050	31.5	9.3	2.9	30	20	9.0	6.0	4.2	8.2	10.3	2.9	3.8	7.7	15.9
E4100.AC0070	51.0	13.0	4.0	42	30	10.5	10.0	4.2	8.2	15.0	4.0	8.0	10.5	23.0



E4300

CATCHES & LATCHES

**Material**

Body: zinc alloy, chrome finish.  
Ball: ball bearing stainless steel.

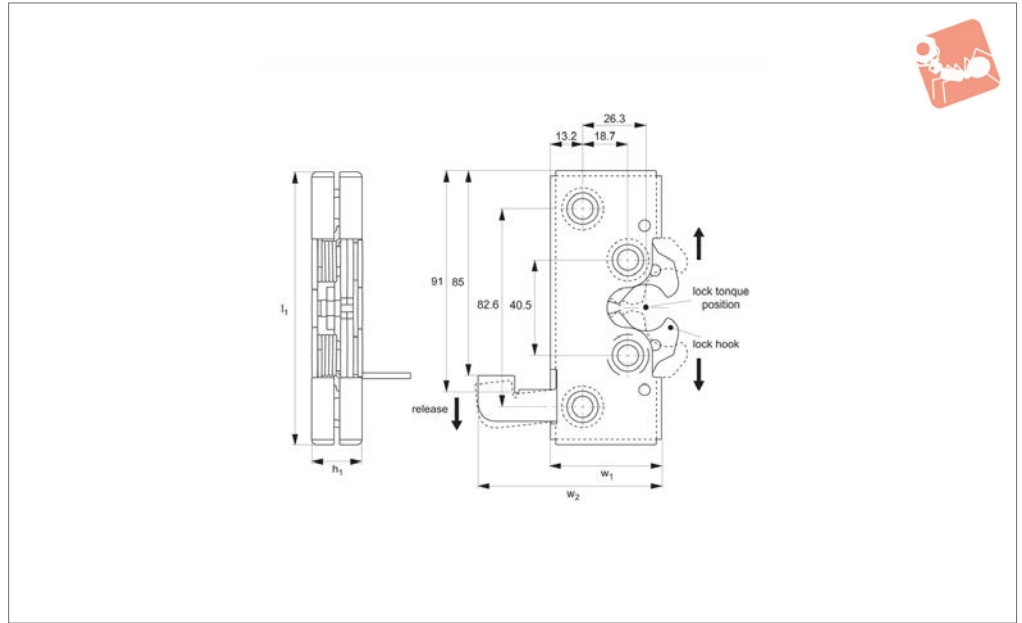
Order No.	Push in force kgf	Pulling force kgf	a	c <sub>1</sub>	c <sub>2</sub>	c <sub>3</sub>	c <sub>4</sub>	d	e	Weight g
E4300.AC0040	3.6	2.4	28.5	20	12.5	16	3.0	8.3	6.5	18
E4300.AC0070	4.1	3.9	48.0	34	20.5	32	7.3	13.5	12.7	75

Order No.	f	g	h	i	k	l	n	q	t	x	y
E4300.AC0040	R4,0	M 3	5	24	8	9	5	15.7	3	3.2	6.2
E4300.AC0070	R6,5	M 5	6	42	11	13	10	24.9	4	4.2	8.2



**E4500**



**Material**  
steel, zinc plated

**Technical Notes**  
Robust latch for doors and panels. The

rotary action of the locking jaws provides secure fastening in a push-to-close action. Suitable for entry doors, engine covers, baggage doors and access panels.

**Tips**  
Push to close. Actuation of lever releases lock hook to allow opening.

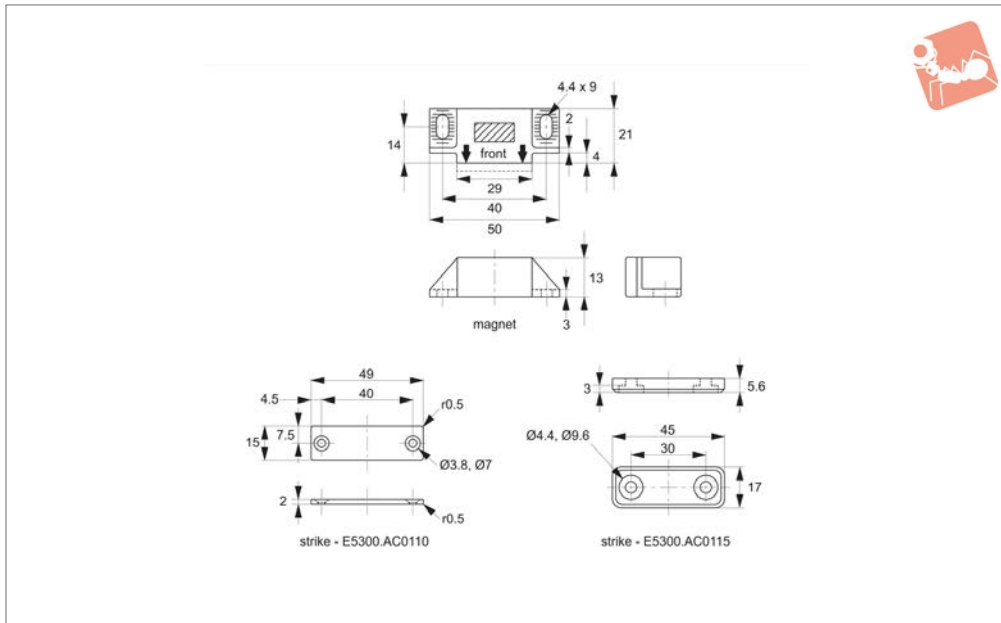
Order No.	$h_1$	$l_1$	$w_1$	$w_2$	Load N max.
E4500.AW0010	21	114	46	75.7	10.000





# Magnetic Catches - Hermetically for clean room and medical environments

## Catches & Latches



### E5300

CATCHES & LATCHES

#### Material

Body: polyacetal.  
Magnet: neodymium.  
Strike plate: stainless steel, AISI 304,

especially treated for magnetism; or sealed  
strike plate in polyacetal.

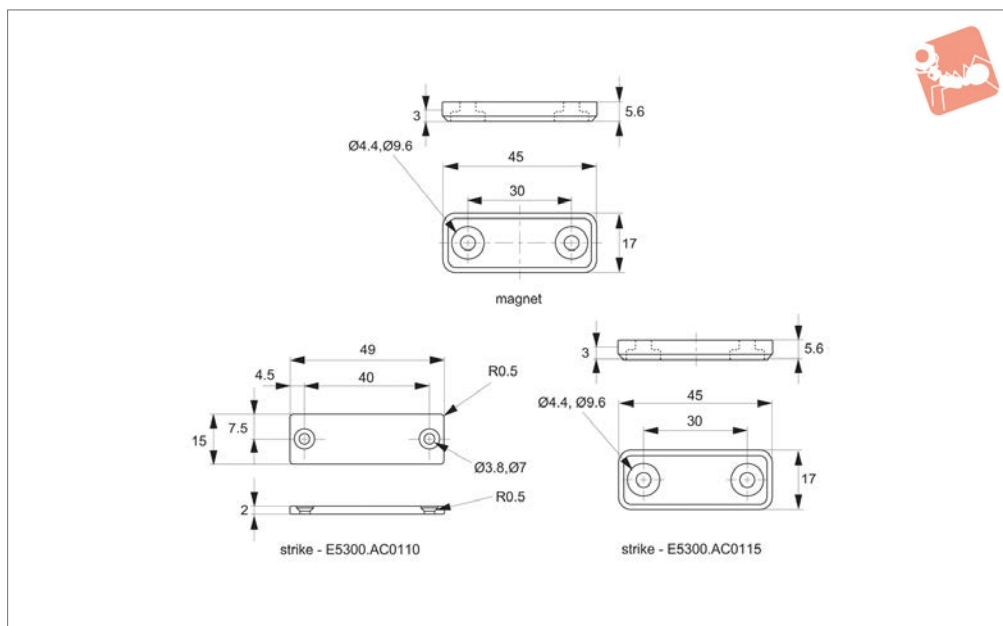
#### Technical Notes

For clean room and medical environment,  
hermetically sealed.

Order No.	Type	Magnetic force kgf	Finish	Weight g
E5300.AC0010	Magnet	3	White	21.0
E5300.AC0020	Magnet	3	Black	21.0



## E5320



### Material

Magnet body: polyacetal.  
Magnet: neodymium.  
Strike plate: stainless steel, AISI 304,

especially treated for magnetism; or sealed  
strike plate in polyacetal.

### Technical Notes

Ideal for clean room and medical environments, hermetically sealed.

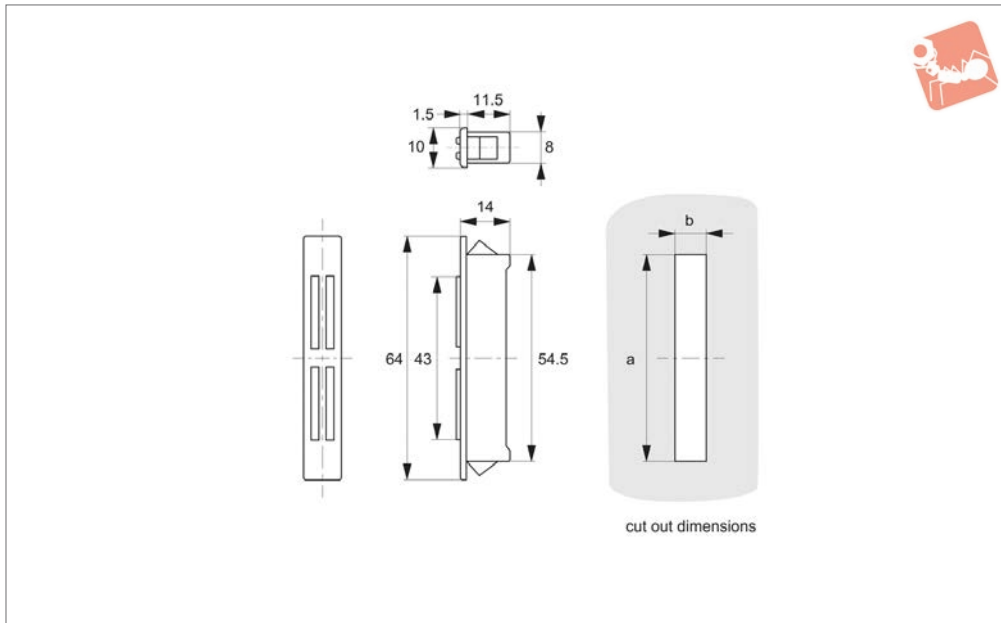
Order No.	Type	Magnetic force kgf	Finish	Weight g
E5320.AC0010	Magnet	3.0	White	9



# Magnetic Catches

snap-in type

## Catches & Latches



### E5400

CATCHES & LATCHES

#### Material

Body: ABS plastic, white.  
Yoke: steel.

door thickness, see installation table below.

#### Technical Notes

Dimensions a and b are dependant upon

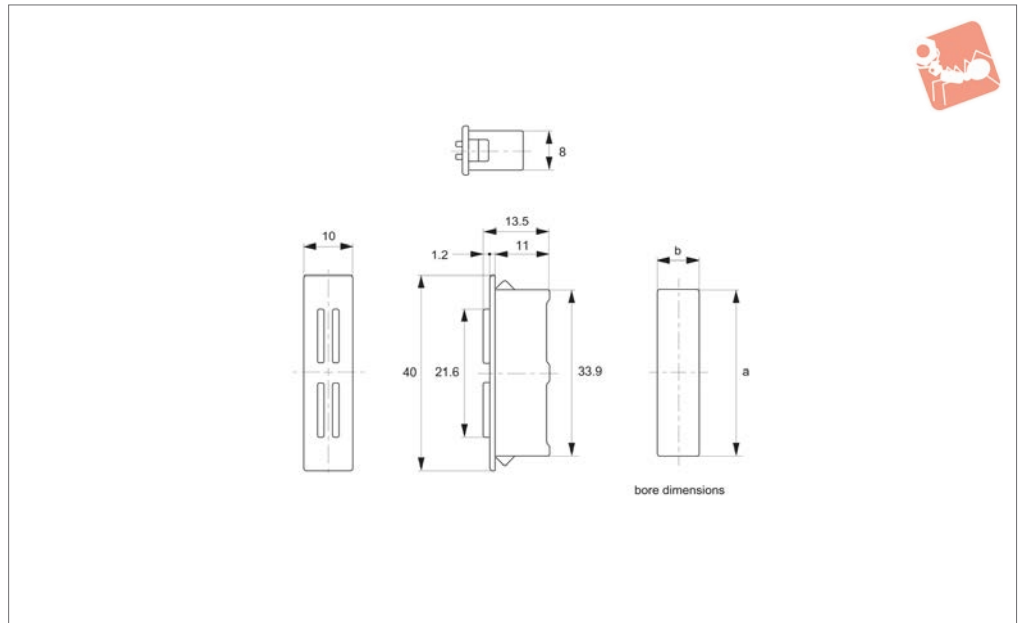
#### Tips

Snap-in type magnet for easy installation, especially for sheet metal application.

Order No.	Magnetic force kgf	Weight g
E5400.AC0010	6	18



**E5450**



**Material**

Body: ABS plastic.  
Yoke: steel.

Magnet: neodymium.

door thickness, see installation table below.

**Technical Notes**

Dimensions a and b are dependant upon

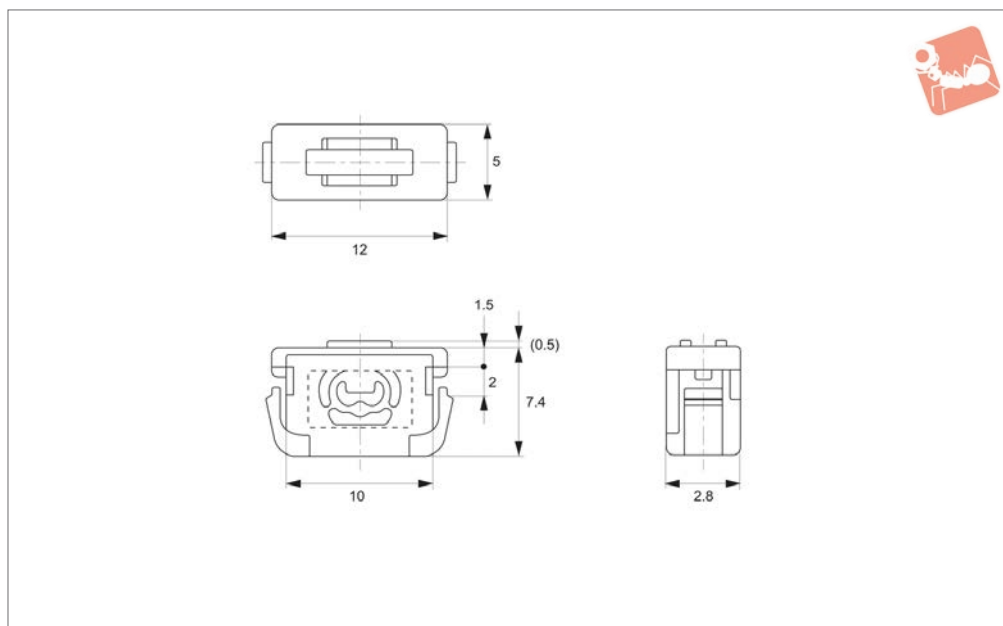
Order No.	Magnetic force kgf	Finish	Weight g
E5450.AC0010	4.5	White	9
E5450.AC0020	4.5	Black	9



# Mini Magnetic Catches

snap-in type

## Catches & Latches



### E5600

CATCHES & LATCHES

#### Material

Body: polyamide.  
Yoke: steel.

#### Technical Notes

Suitable for doors 1,5 to 2mm thick.

#### Order No.

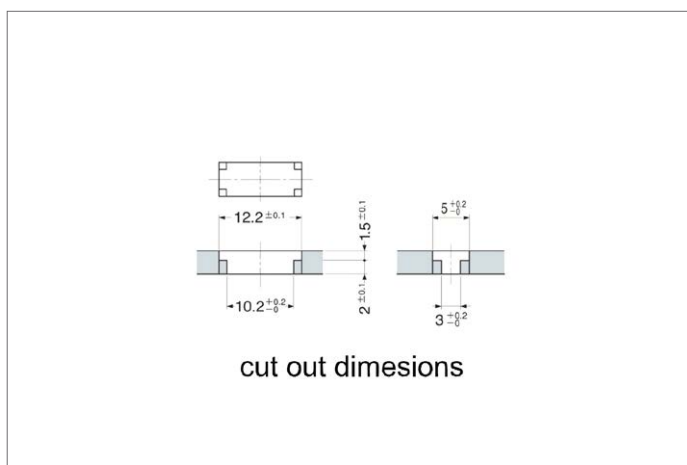
E5600.AC0010

#### Magnetic force

kgf  
0,25-0,50

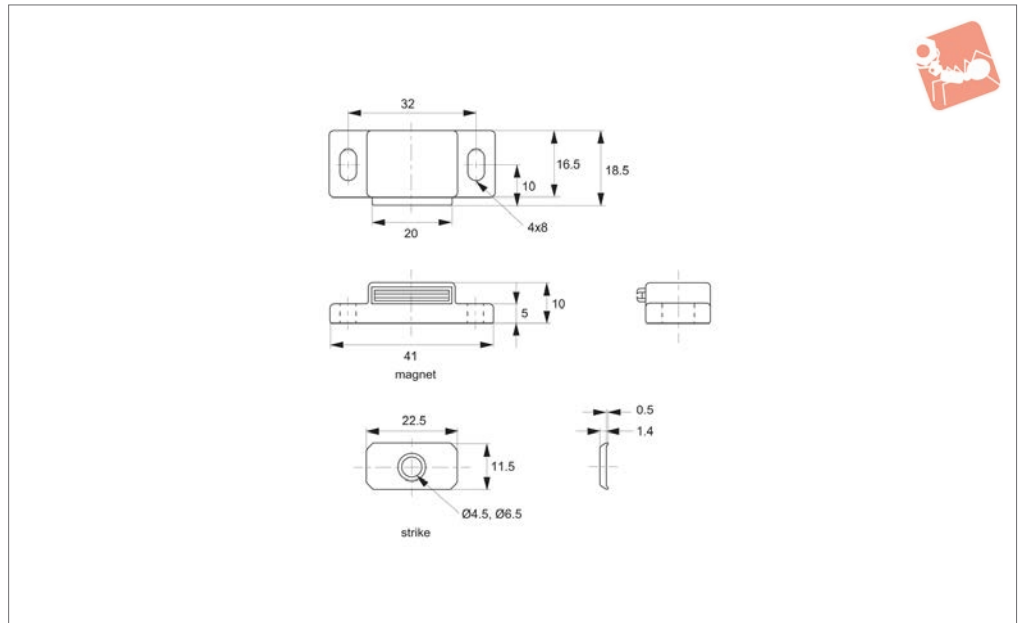
#### Weight

g  
1





**E5650**



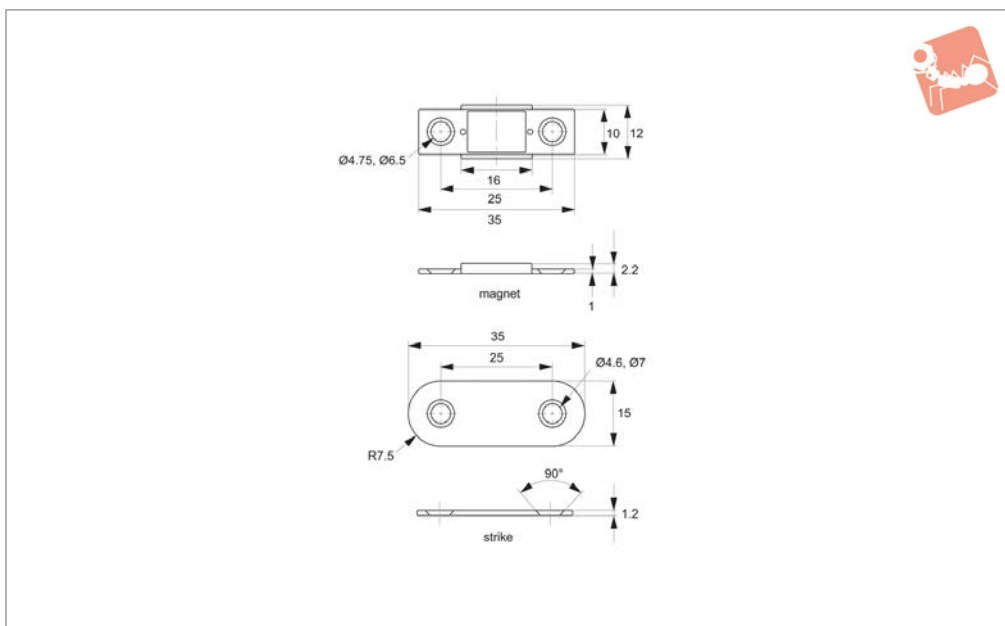
**Material**

Body: polypropylene.  
Strike: steel.

**Technical Notes**

Screws not supplied.  
Magnet and strike supplied together.

Order No.	Magnetic force kgf	Finish	Weight g
E5650.AC0010	1.5	White	12
E5650.AC0015	3.5	White	12
E5650.AC0020	1.5	Black	12
E5650.AC0025	3.5	Black	12



**E5670**

CATCHES & LATCHES

**Material**

Base & counter strike: steel.  
Magnet: neodymium.

2mm thick. Maximum temperature 80°C. To avoid damage, counter plate should not hit magnet. Screw heads need to be flush with the base plate to ensure effective operation.

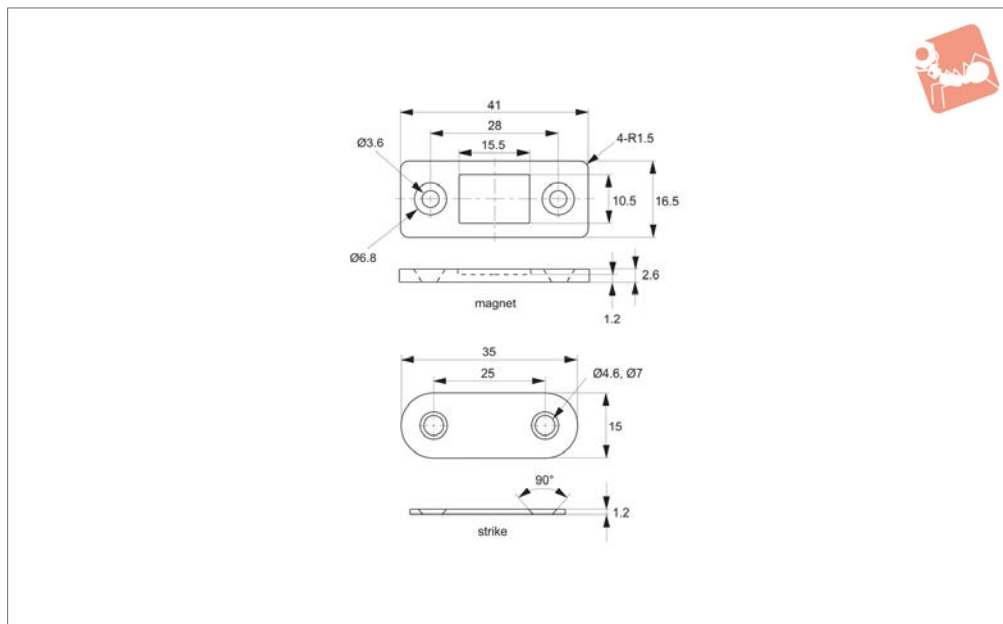
**Technical Notes**

Magnet and strike supplied together. Only

Order No.	Type	Magnetic force kgf	Weight g
E5670.AC0010	Magnet	2.7	7.5



**E5680**



**Material**

Body & yoke: steel, nickel plated.  
Magnet: neodymium

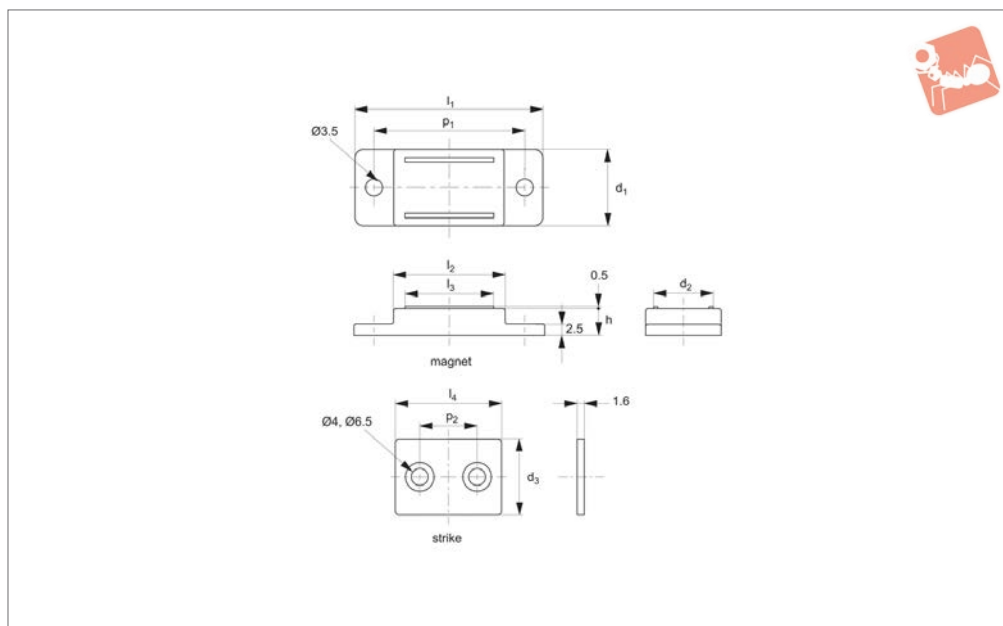
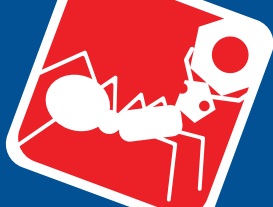
**Technical Notes**

Ultra thin with extra strong magnetic force. Max.temperature 80°C. To avoid

damage, counterplate should not hit magnet.

Order No.	Type	Magnetic force kgf	Weight g
E5680.AC0010	Magnet	4.0	12
E5680.AC0110	Strike Plate	-	4





## E5690

CATCHES & LATCHES

### Material

Body: ABS plastic.

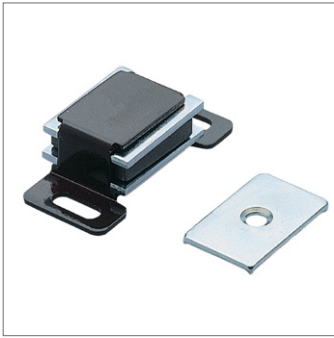
Yoke and counter plate: steel.

Magnet: ferrite.

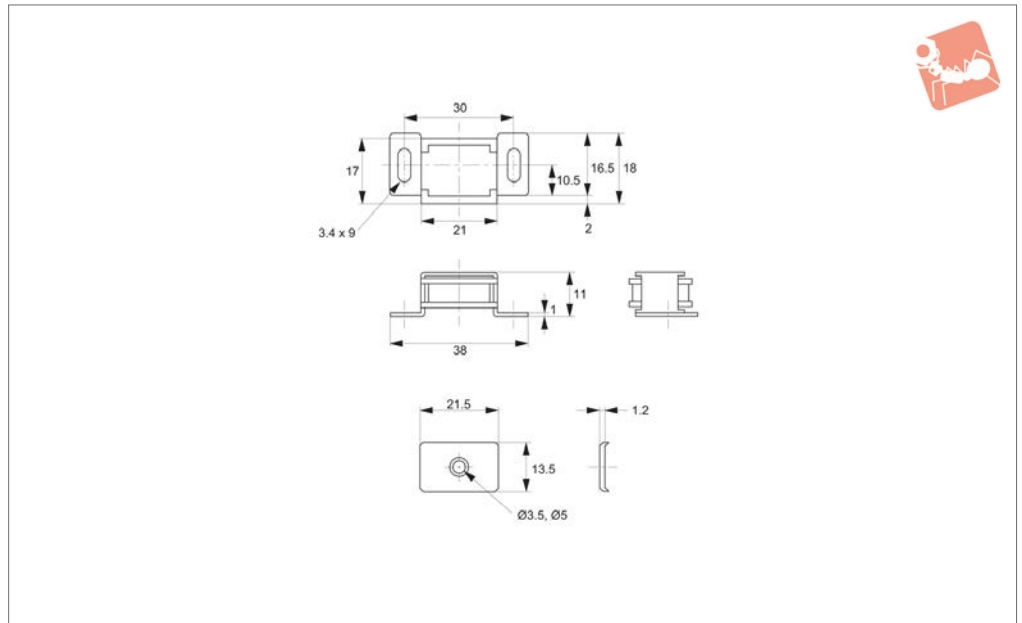
### Technical Notes

Magnet and Strike supplied together.

Order No.	Magnetic force kgf	Finish	$l_1$	$l_2$	$l_3$	$l_4$	$d_1$	$d_2$	$d_3$	$p_1$	$p_2$	$h$	Weight g
<b>E5690.AC0010</b>	5	Ivory	64	46	42	45	24.5	21.0	24	55	30	7.0	48
<b>E5690.AC0012</b>	3	Ivory	53	35	31	34	23.5	20.0	23	44	20	6.2	32
<b>E5690.AC0014</b>	1	Ivory	43	25	20	24	17.0	13.5	17	34	13	6.0	14
<b>E5690.AC0020</b>	5	Black	64	46	42	45	24.5	21.0	24	55	30	7.0	48
<b>E5690.AC0022</b>	3	Black	53	35	31	34	23.5	20.0	23	44	20	6.2	32
<b>E5690.AC0024</b>	1	Black	43	25	20	24	17.0	13.5	17	34	13	6.0	14



**E5700**



**Material**

Body: aluminium alloy, browned.  
Yoke and strike: steel, clear zinc chromate.

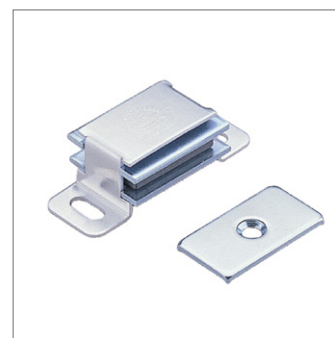
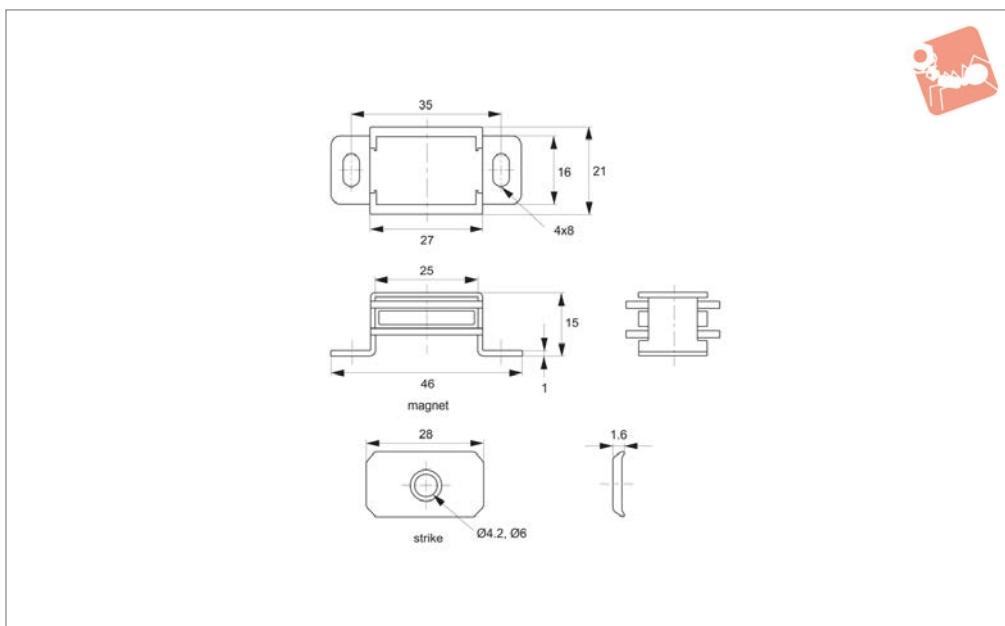
**Technical Notes**

Supplied with fitting screws.  
Magnet and strike supplied together.

**Order No.**  
**E5700.AC0010**

Magnetic force  
kgf  
0.8

Weight  
g  
17



## E5750

CATCHES & LATCHES

### Material

Body: aluminium alloy, natural.  
Yoke and strike: steel, clear zinc chromate.

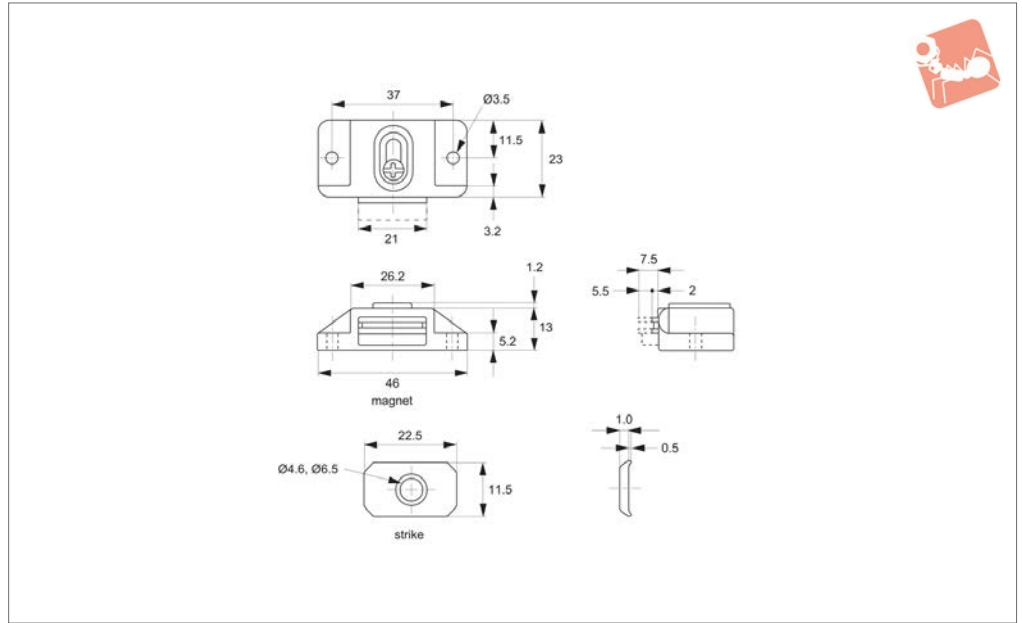
### Technical Notes

Magnet and strike supplied together.

Order No.	Magnetic force kgf	Weight g
E5750.AC0010	1.5	28.5



## E5800



### Material

Body: ABS plastic.  
Yoke: steel.

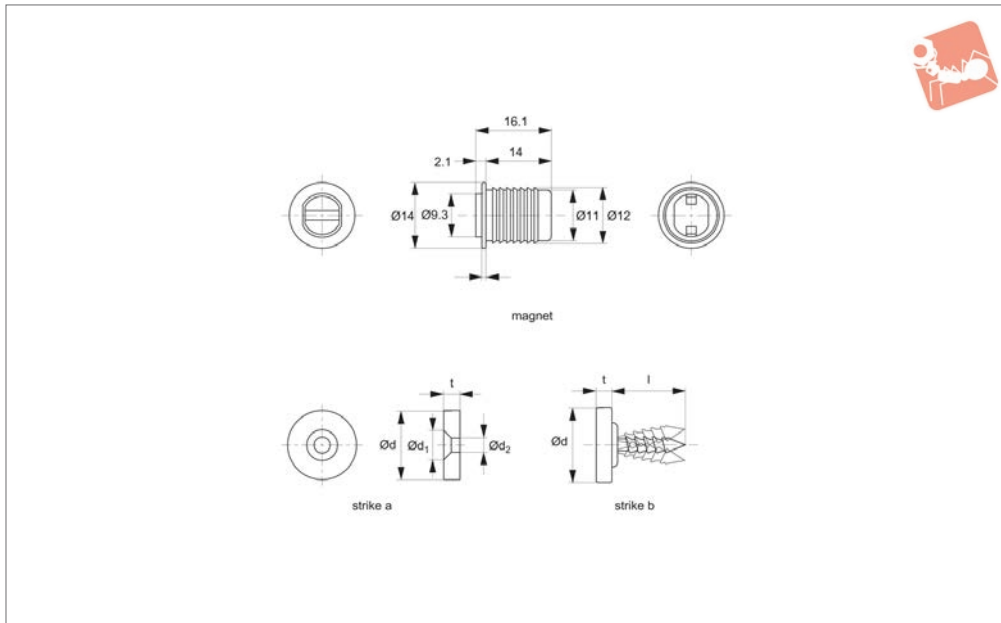
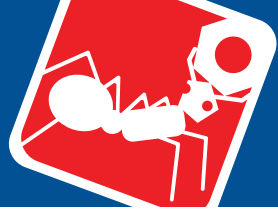
### Technical Notes

Position of the magnet is adjustable by up to 5,5mm.

Supplied with screws (3,1x13).

Magnet and Strike supplied together.

Order No.	Magnetic force kgf	Finish	Weight g
E5800.AC0010	3	Ivory	18
E5800.AC0020	3	Black	18



## E5850

### Material

Body: polypropylene.

Yoke: steel.

Strike: steel, nickel or chrome plated.

b, to suit your application.

Moveable magnet enables better positioning to ensure full surface contact with strike, and hence full magnetic force.

pressure to plastic housing only, to avoid damage to the magnet.

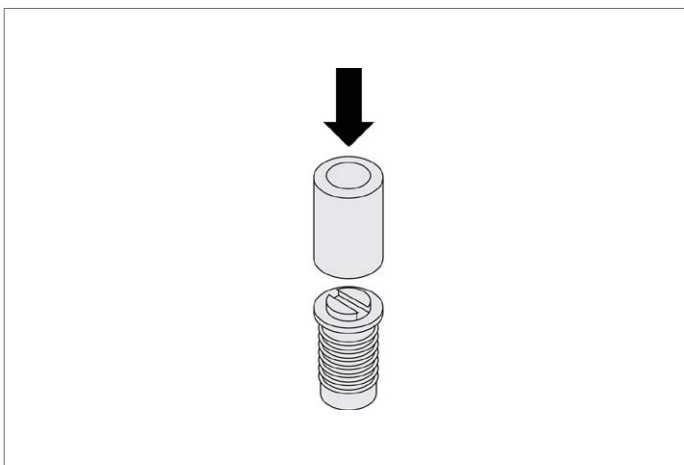
### Technical Notes

Catches can be used with either strike a or

### Tips

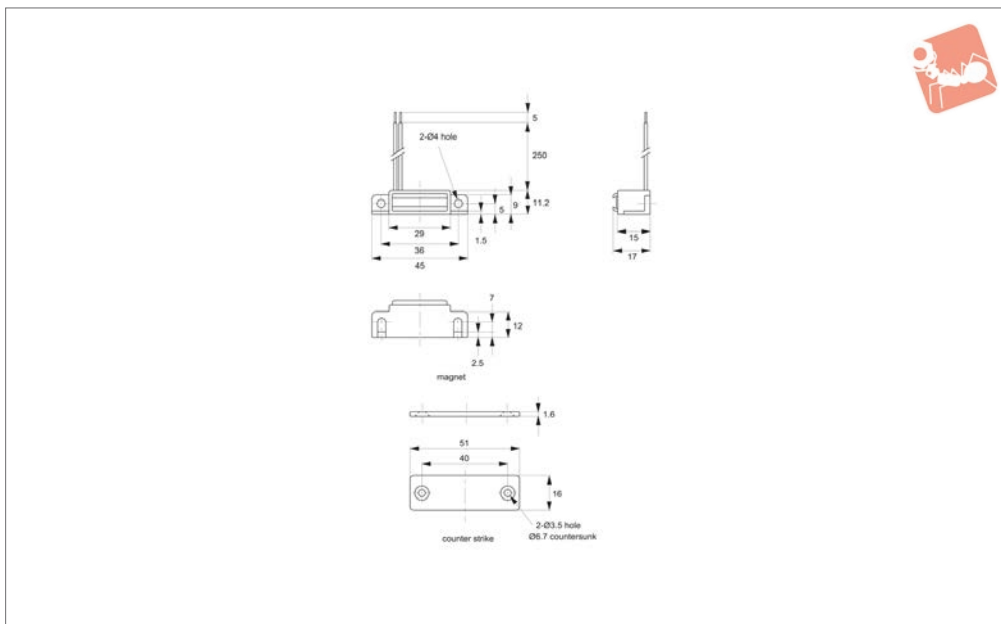
When installing magnet, use tube to apply

Order No.	Type	Magnetic force kgf	Finish	t	d	d <sub>1</sub>	d <sub>2</sub>	l	Weight g
E5850.AC0010	Magnet	2.5	White	-	-	-	-	-	6.0
E5850.AC0020	Magnet	2.5	Black	-	-	-	-	-	6.0
E5850.AC0703	Strike A	-	Chrome Plated	2.5	12	6	3	-	1.7
E5850.AC0704	Strike A	-	Nickel Plated	3.0	15	8	4	-	3.3
E5850.AC0713	Strike B	-	Nickel Plated	2.5	12	-	-	12	2.0





## E5900



### Material

Body: polycarbonate, black.  
 Magnet and counter plate: steel, nickel plated.  
 Cable: UL1007 AWG#26, black. Max. cable strength 1Kg.

### Technical Notes

Magnet has the following electrical properties:

Wattage: 10W  
 Voltage: 100V DC  
 Max. load rating: 0.5A DC  
 Max contact resistance (excl. cable): 0.15 ohm.  
 Temperature resistance 0 to 60°C.

### Tips

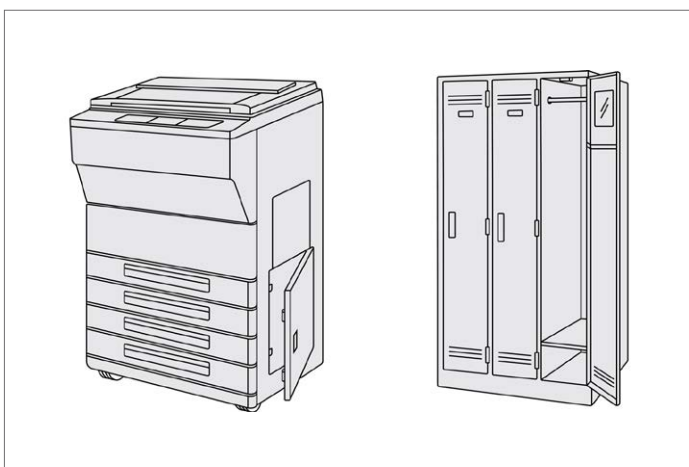
Type A: Reed switch closes when counter plate and magnet are separated.

Type B: Reed switch opens when counter plate and magnet are separated.

### Important Notes

Magnet and Counter Strike enable completion or breaking of electrical circuit of the reed switch, and can be easily incorporated into a lighting or sensor circuit. The magnetic field is NOT powered on/off by any electrical current.

Order No.	Magnetic force kgf	Movement type	Weight g
E5900.AC0010	1	B - Reed Switch Open	28
E5900.AC0020	3	A - Reed Switch Closed	28
E5900.AC0030	3	B - Reed Switch Open	28

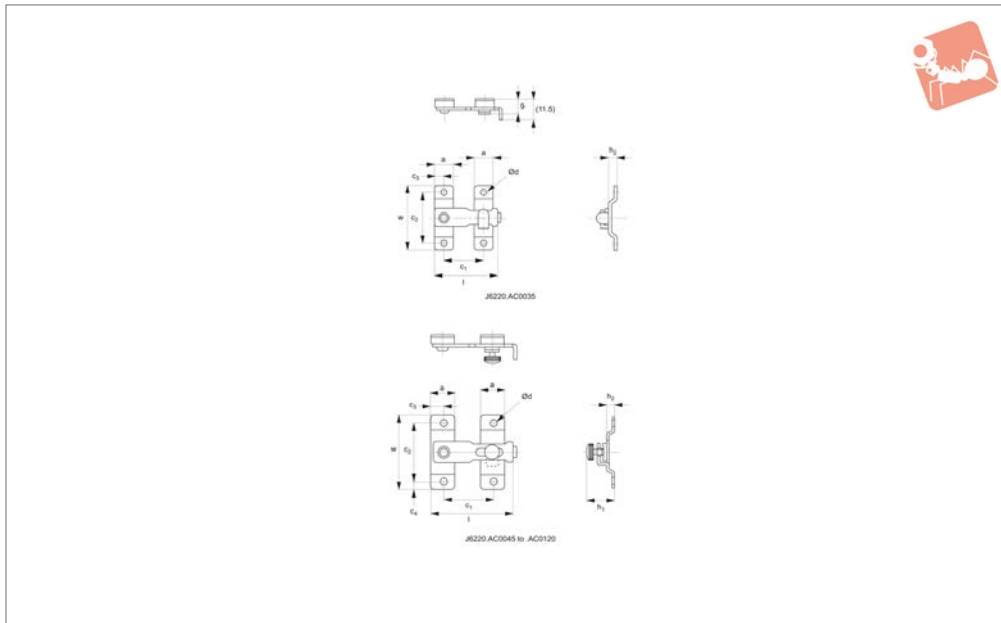




# Bar Latches

with thumb screw, **stainless steel**

# Catches & Latches



## J6220

CATCHES & LATCHES

### Material

Stainless steel AISI 304, polished.

latch closed.

Note: J6220.AC0035 has no thumb screw.

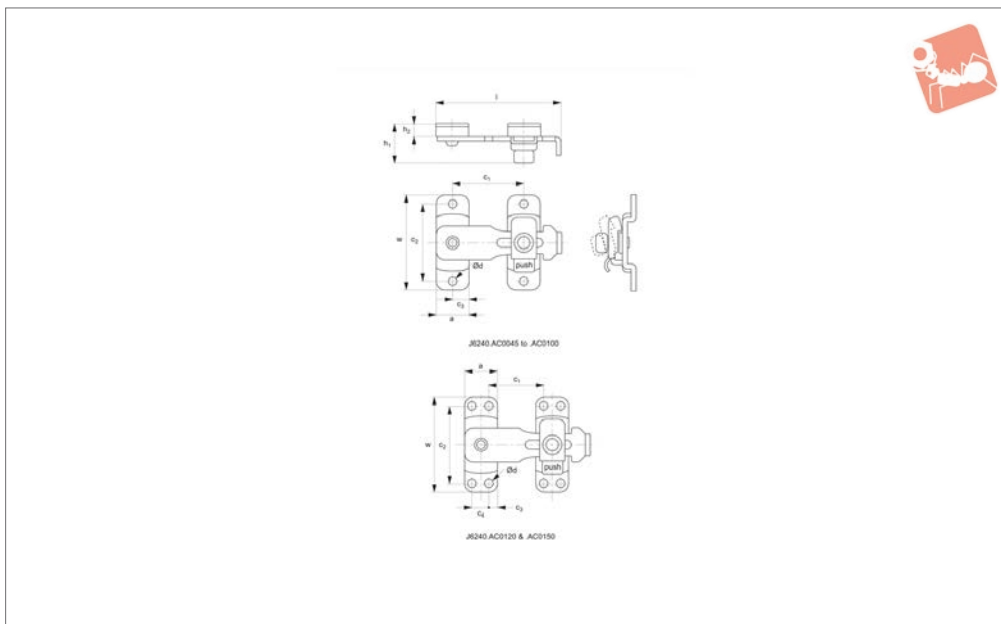
### Important Notes

Latch with thumb screw on strike to keep

Order No.	l	w	a	c <sub>1</sub>	c <sub>2</sub>	c <sub>3</sub>	c <sub>4</sub>	h <sub>1</sub>	h <sub>2</sub>	Ø d	Weight g
J6220.AC0035	35	35	10	22	28	5.0	3.5	-	4.2	3.3	19
J6220.AC0045	45	40	13	28	32	6.5	4.0	15	4.5	3.3	28
J6220.AC0055	55	46	16	35	37	8.0	4.5	19	6.0	4.0	50
J6220.AC0080	81	65	20	52	53	10.0	6.0	23	7.0	4.8	100
J6220.AC0100	100	80	25	60	66	12.5	7.0	29	8.0	5.5	200
J6220.AC0120	120	100	30	75	80	15.0	10.0	30	8.0	6.5	295



## J6240



### Material

Stainless steel AISI 304, polished.

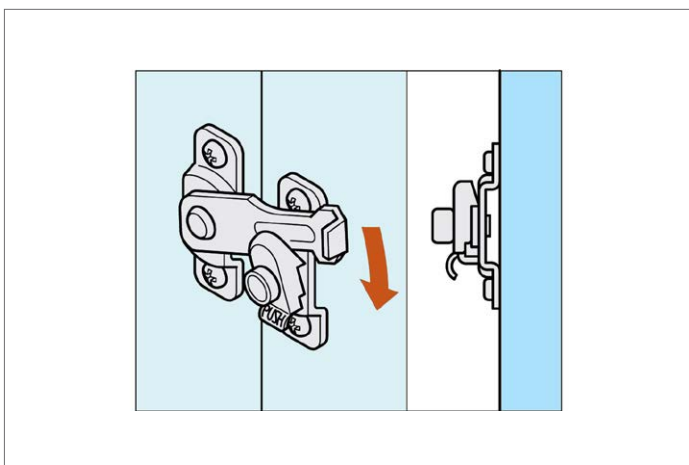
prevent accidental release, and hence latch can be used upside down.

### Technical Notes

Latch snaps into spring loaded strike to

Push tab on strike to release.

Order No.	l	w	a	c <sub>1</sub>	c <sub>2</sub>	c <sub>3</sub>	c <sub>4</sub>	h <sub>1</sub>	h <sub>2</sub>	Ø d	Weight g
J6240.AC0045	48	40	13.0	23 ±3	32	6.50	-	17.0	4.5	3.2	28
J6240.AC0060	63	46	16.0	34 ±4	37	8.00	-	20.0	6.0	4.2	50
J6240.AC0080	85	65	20.0	47 ±7	53	10.00	-	22.5	7.0	5.0	100
J6240.AC0100	105	80	25.0	59 ±7	66	12.50	-	26.5	8.0	5.5	182
J6240.AC0120	127	100	28.5	56 ±10	80	6.75	15	28.0	8.0	6.2	270
J6240.AC0150	155	120	30.5	74 ±14	95	7.25	16	28.0	8.0	6.2	350

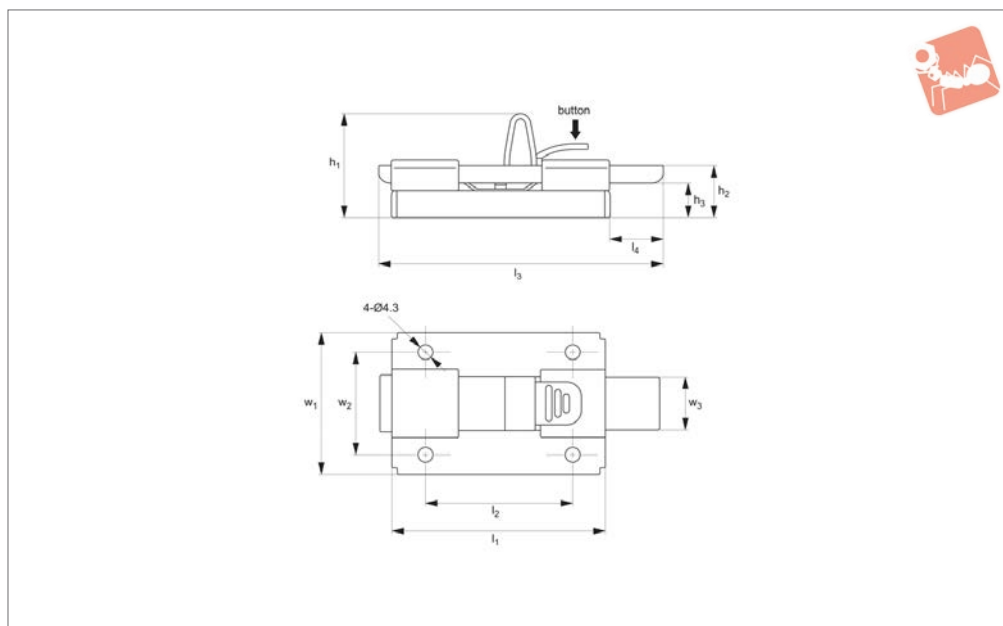






# Slide Bar Latch stainless steel

## Catches & Latches



### J6260

CATCHES & LATCHES

#### Material

Stainless steel.

**Not supplied:** fixing screws.

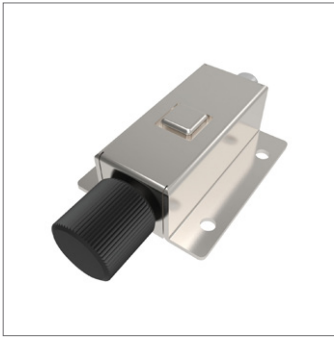
#### Tips

Push button to adjust/move bolt.

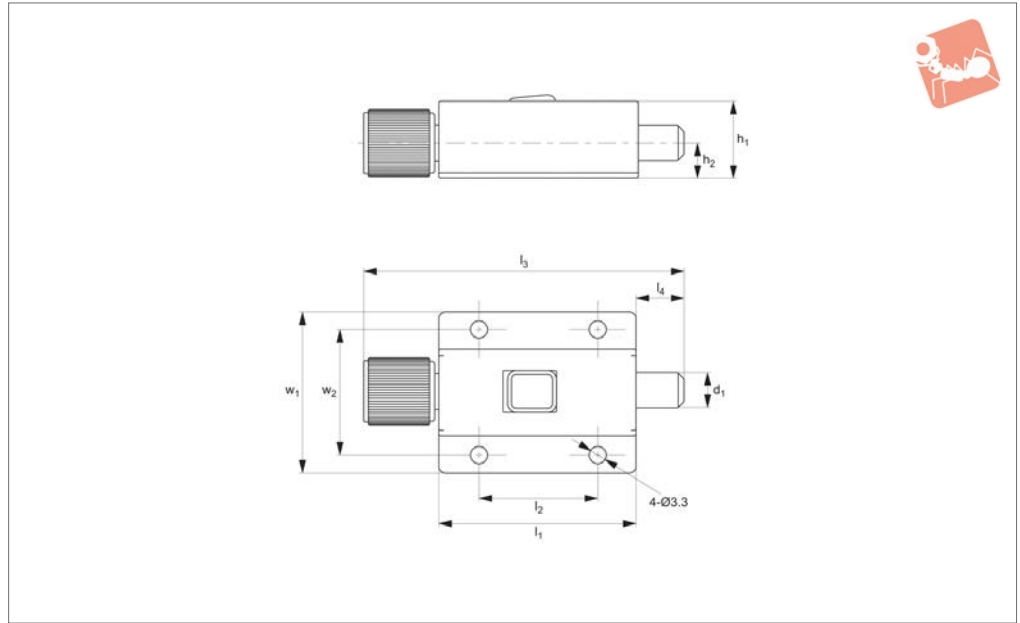
$l_3$  max. extension of latch bolt stroke=

14,5mm.

Order No.	$l_1$	$l_2$	$l_3$	$h_1$	$h_2$	$h_3$	$l_4$	$w_1$	$w_2$	$w_3$	Stroke
J6260.AW0010	65	45	85.5	31.3	15.5	10	16.7	44	32.5	18	14.5



**J6262**



**Material**

Housing: stainless steel.  
Bolt: steel, chrome plated.

Grip: plastic.

**Tips**

Push button to adjust/move bolt.

$l_3$  max. extension of latch bolt stroke= 14,5mm.

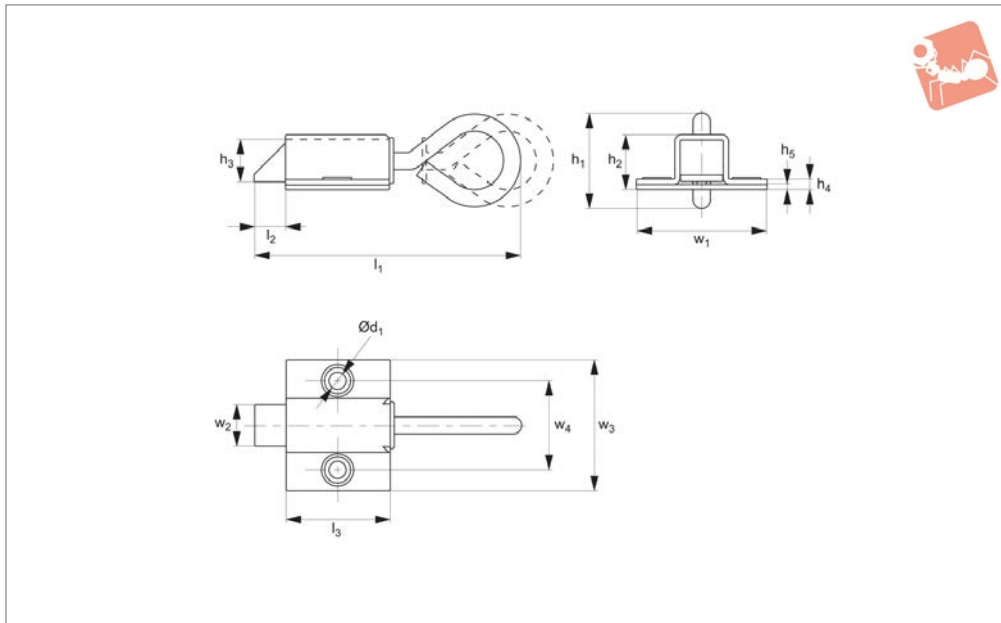
Order No.	$l_1$	$d_1$	$l_2$	$l_3$	$h_1$	$h_2$	$l_4$	$w_1$	$w_2$	Stroke
J6262.AW0010	40	7	25	64	15	7	9	33.5	26.5	9



# Slide Bar Latches - Pull Ring

steel

## Catches & Latches



### J6266

CATCHES & LATCHES

#### Material

Body: steel, zinc plated.

#### Technical Notes

Mounted via 2 x M5 screws (not supplied).

#### Tips

Easy actuation using pull ring, catch has stroke of 9,5mm.

Order No.	$l_1$	$l_2$ stroke	$l_3$	$h_1$	$h_2$	$h_3$	$h_4$	$h_5$	$\varnothing d_1$	$w_1$	$w_2$	$w_3$	$w_4$
J6266.AW0010	83	9.5	34	28	16.5	12.7	3	1.5	5.3	39	12.7	39	26.9