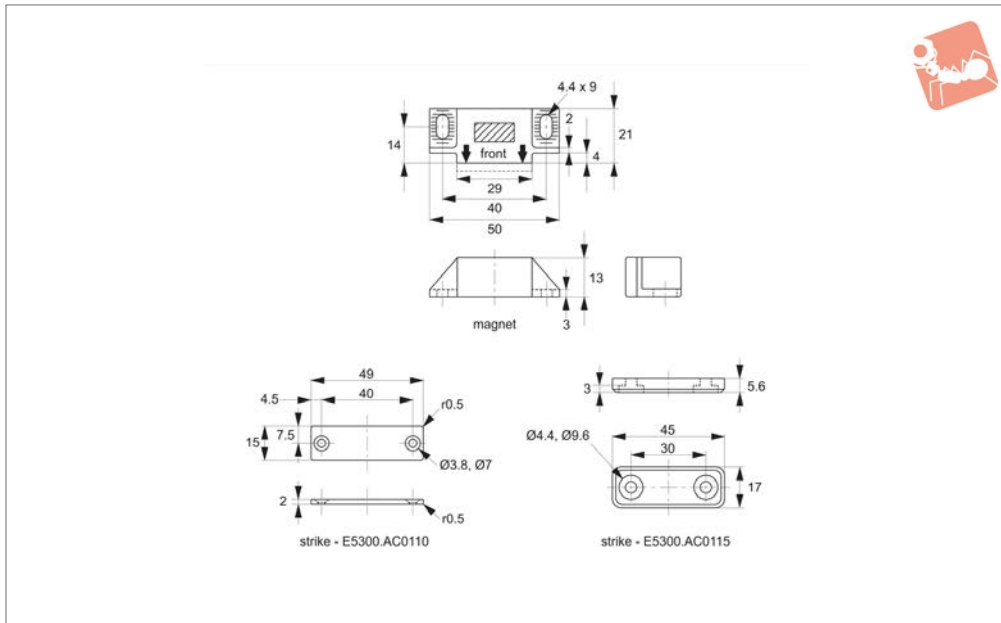




Magnetic Catches - Hermetically for clean room and medical environments

Catches & Latches



E5300

CATCHES & LATCHES

Material

Body: polyacetal.
Magnet: neodymium.
Strike plate: stainless steel, AISI 304,

especially treated for magnetism; or sealed
strike plate in polyacetal.

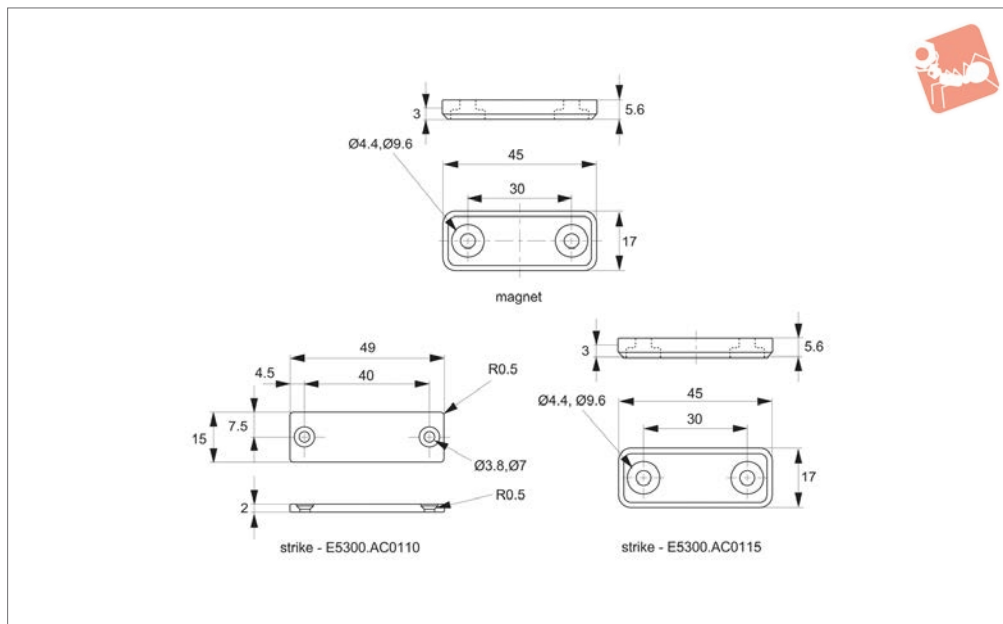
Technical Notes

For clean room and medical environment,
hermetically sealed.

Order No.	Type	Magnetic force kgf	Finish	Weight g
E5300.AC0010	Magnet	3	White	21.0
E5300.AC0020	Magnet	3	Black	21.0



E5320



Material

Magnet body: polyacetal.

Magnet: neodymium.

Strike plate: stainless steel, AISI 304,

specialy treated for magnetism; or sealed
strike plate in polyacetal.

Technical Notes

Ideal for clean room and medical environments, hermetically sealed.

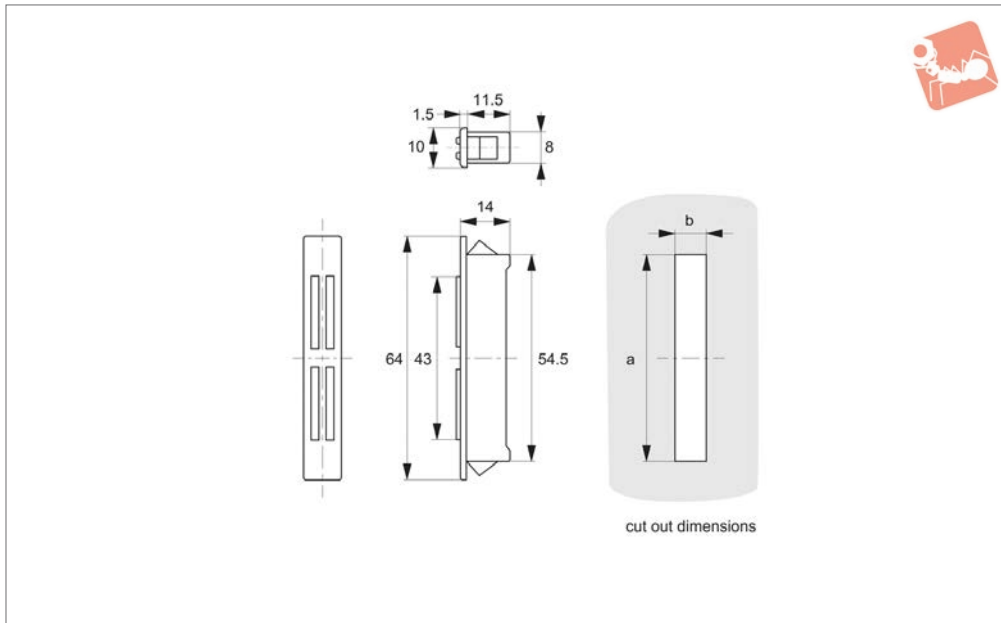
Order No.	Type	Magnetic force kgf	Finish	Weight g
E5320.AC0010	Magnet	3.0	White	9



Magnetic Catches

snap-in type

Catches & Latches



E5400

CATCHES & LATCHES

Material

Body: ABS plastic, white.
Yoke: steel.

door thickness, see installation table below.

Technical Notes

Dimensions a and b are dependant upon

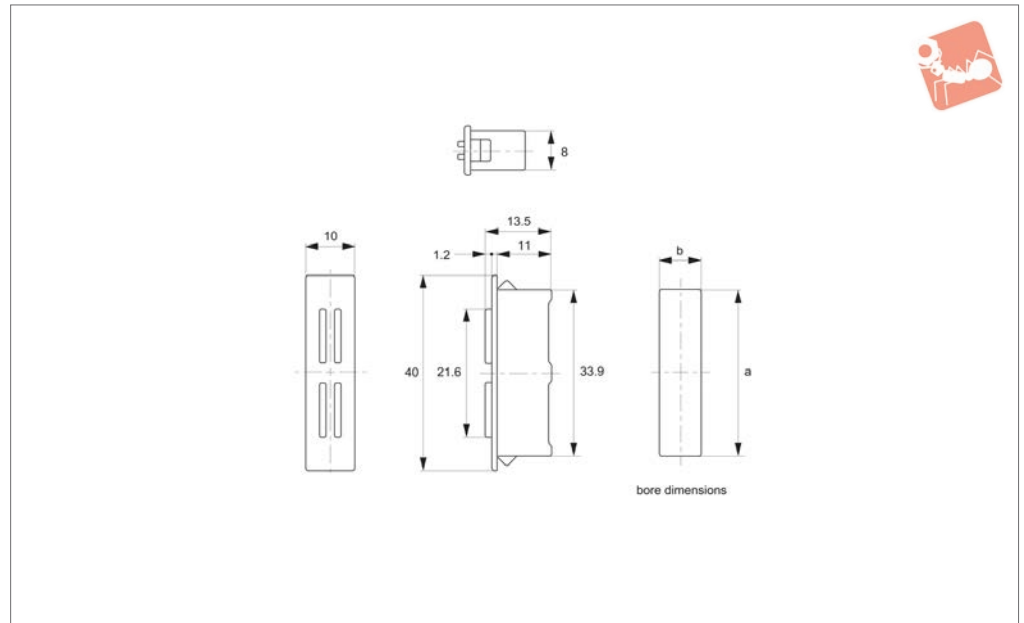
Tips

Snap-in type magnet for easy installation, especially for sheet metal application.

Order No.	Magnetic force kgf	Weight g
E5400.AC0010	6	18



E5450



Material

Body: ABS plastic.
Yoke: steel.

Magnet: neodymium.

door thickness, see installation table below.

Technical Notes

Dimensions a and b are dependant upon

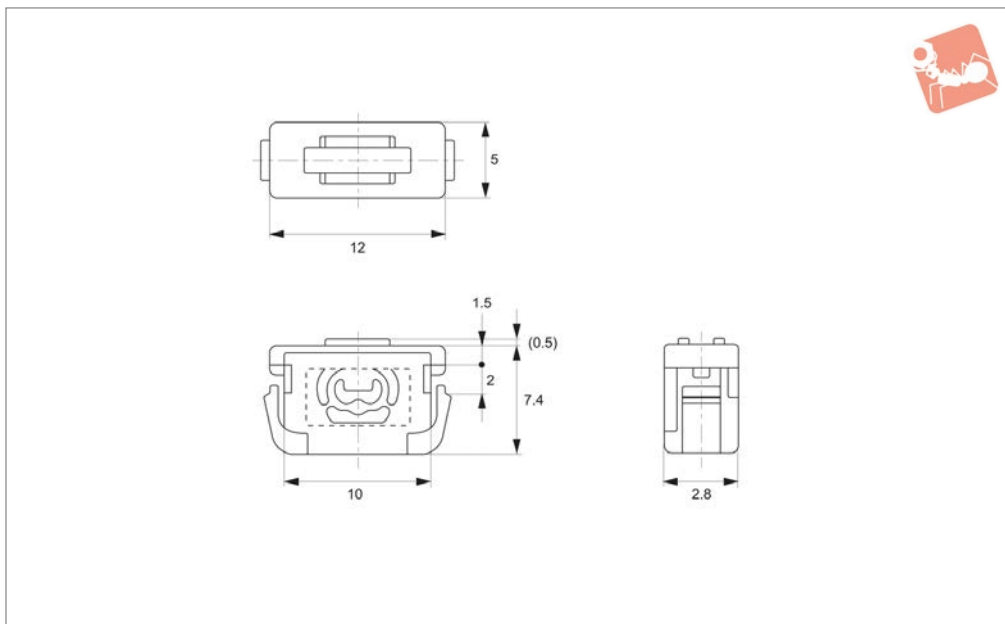
Order No.	Magnetic force kgf	Finish	Weight g
E5450.AC0010	4.5	White	9
E5450.AC0020	4.5	Black	9



Mini Magnetic Catches

snap-in type

Catches & Latches



E5600

CATCHES & LATCHES

Material

Body: polyamide.
Yoke: steel.

Technical Notes

Suitable for doors 1,5 to 2mm thick.

Order No.

E5600.AC0010

Magnetic force

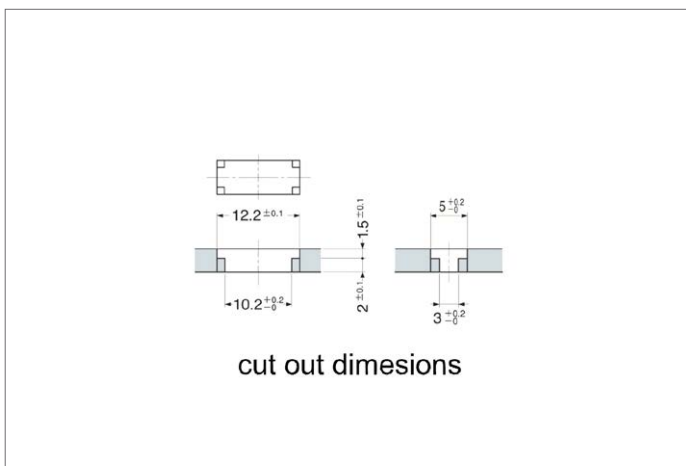
kgf

0,25-0,50

Weight

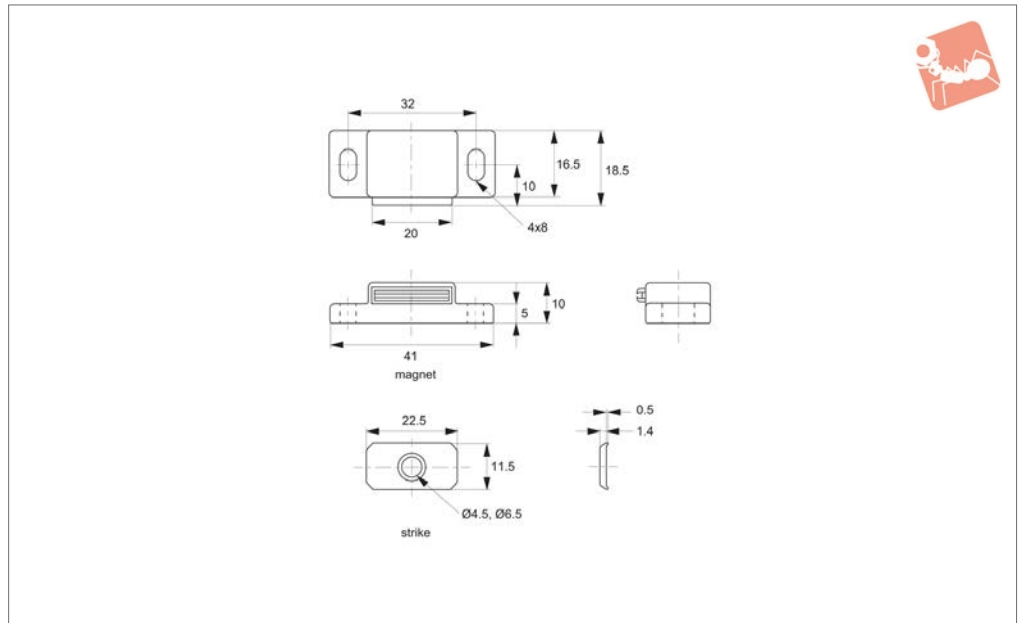
g

1





E5650



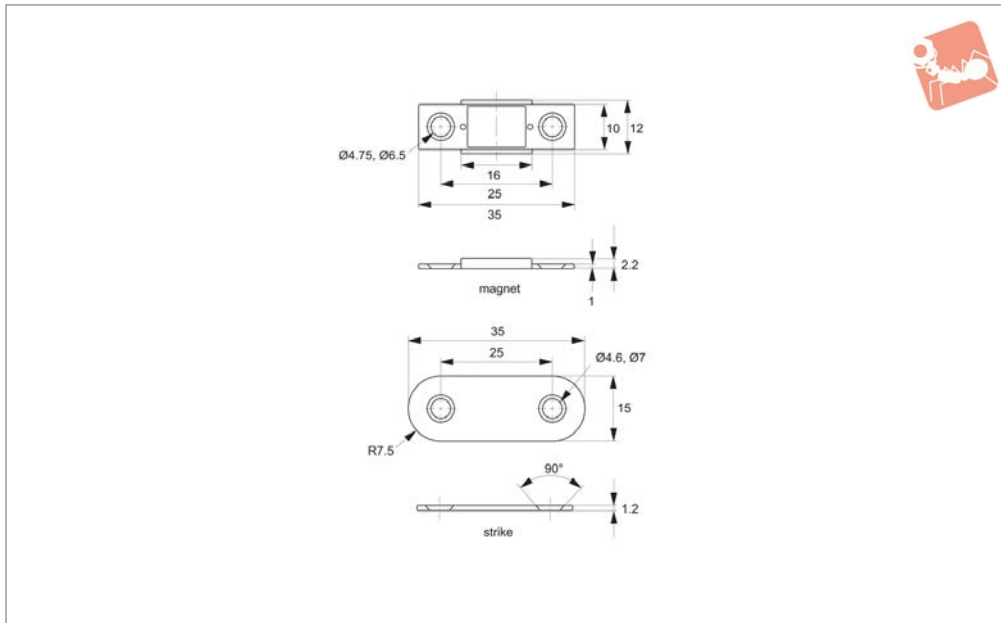
Material

Body: polypropylene.
Strike: steel.

Technical Notes

Screws not supplied.
Magnet and strike supplied together.

Order No.	Magnetic force kgf	Finish	Weight g
E5650.AC0010	1.5	White	12
E5650.AC0015	3.5	White	12
E5650.AC0020	1.5	Black	12
E5650.AC0025	3.5	Black	12



E5670

CATCHES & LATCHES

Material

Base & counter strike: steel.
Magnet: neodymium.

Technical Notes

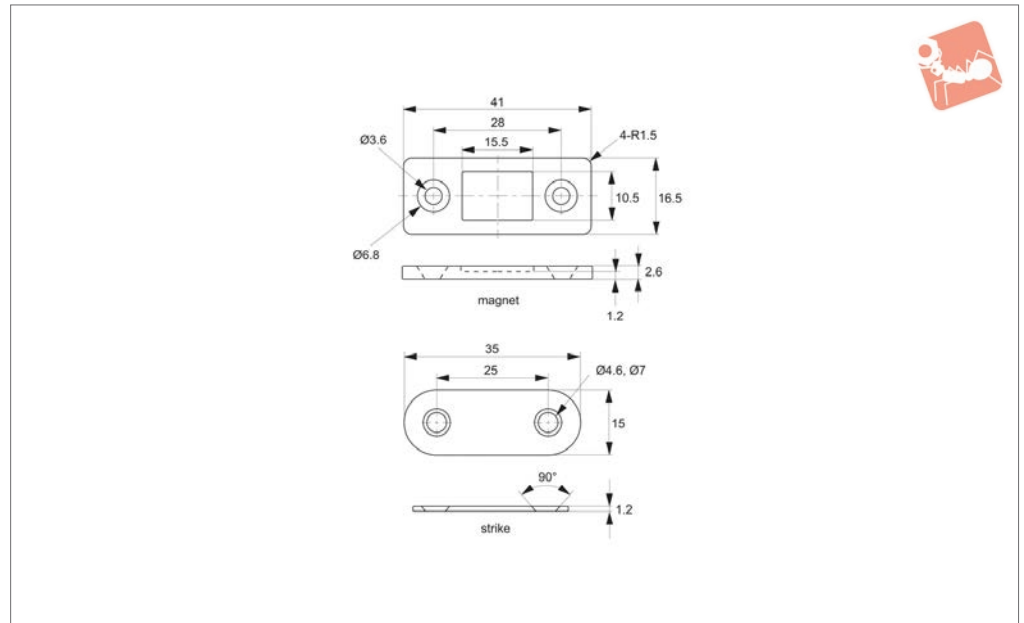
Magnet and strike supplied together. Only

2mm thick. Maximum temperature 80°C. To avoid damage, counter plate should not hit magnet. Screw heads need to be flush with the base plate to ensure effective operation.

Order No.	Type	Magnetic force kgf	Weight g
E5670.AC0010	Magnet	2.7	7.5



E5680



Material

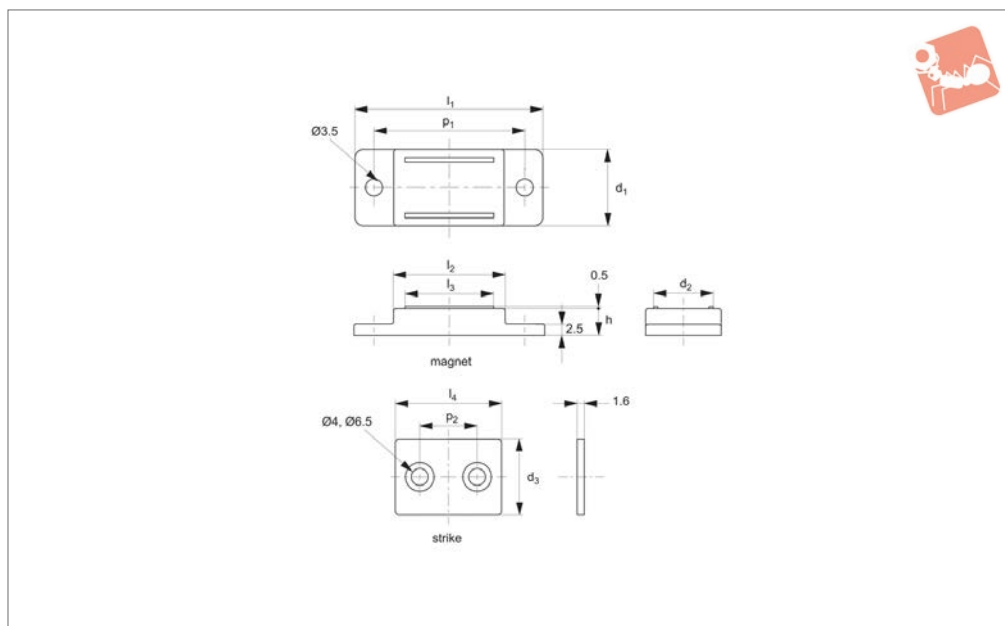
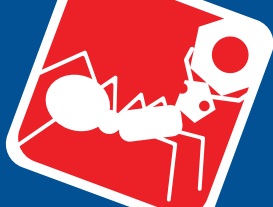
Body & yoke: steel, nickel plated.
Magnet: neodymium

Technical Notes

Ultra thin with extra strong magnetic force. Max.temperature 80°C. To avoid

damage, counterplate should not hit magnet.

Order No.	Type	Magnetic force kgf	Weight g
E5680.AC0010	Magnet	4.0	12
E5680.AC0110	Strike Plate	-	4



E5690

CATCHES & LATCHES

Material

Body: ABS plastic.

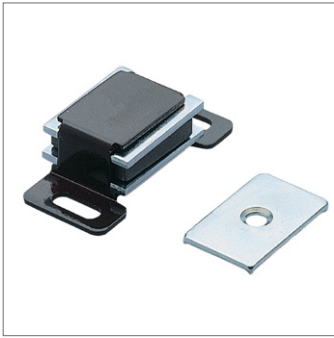
Yoke and counter plate: steel.

Magnet: ferrite.

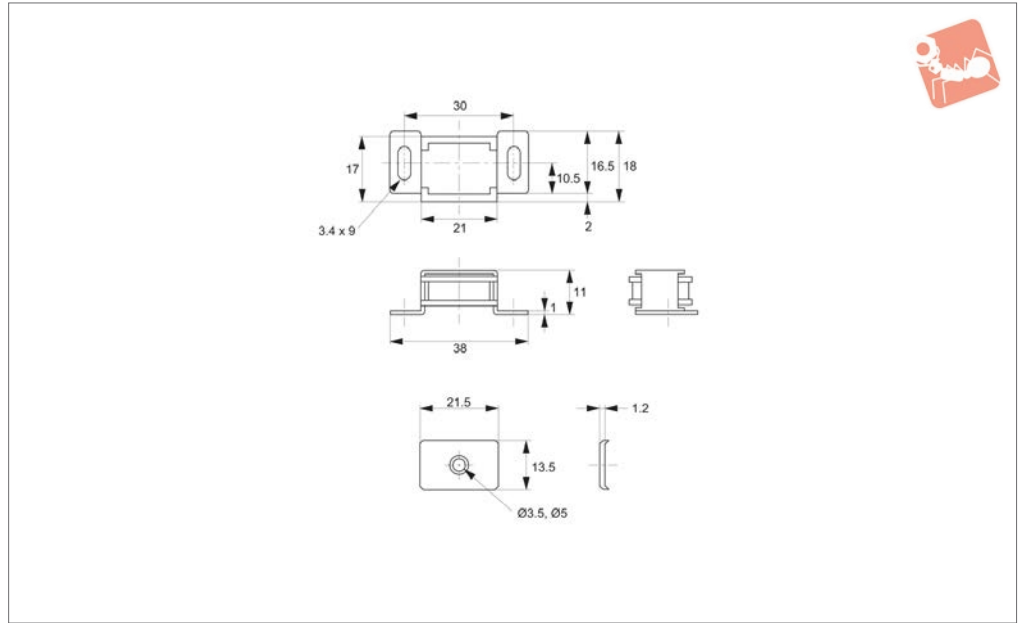
Technical Notes

Magnet and Strike supplied together.

Order No.	Magnetic force kgf	Finish	l_1	l_2	l_3	l_4	d_1	d_2	d_3	p_1	p_2	h	Weight g
E5690.AC0010	5	Ivory	64	46	42	45	24.5	21.0	24	55	30	7.0	48
E5690.AC0012	3	Ivory	53	35	31	34	23.5	20.0	23	44	20	6.2	32
E5690.AC0014	1	Ivory	43	25	20	24	17.0	13.5	17	34	13	6.0	14
E5690.AC0020	5	Black	64	46	42	45	24.5	21.0	24	55	30	7.0	48
E5690.AC0022	3	Black	53	35	31	34	23.5	20.0	23	44	20	6.2	32
E5690.AC0024	1	Black	43	25	20	24	17.0	13.5	17	34	13	6.0	14



E5700



Material

Body: aluminium alloy, browned.
Yoke and strike: steel, clear zinc chromate.

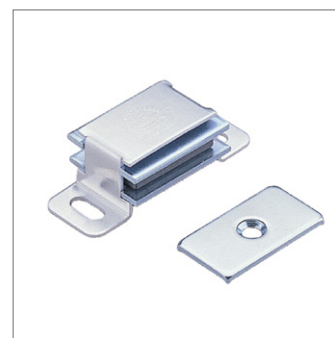
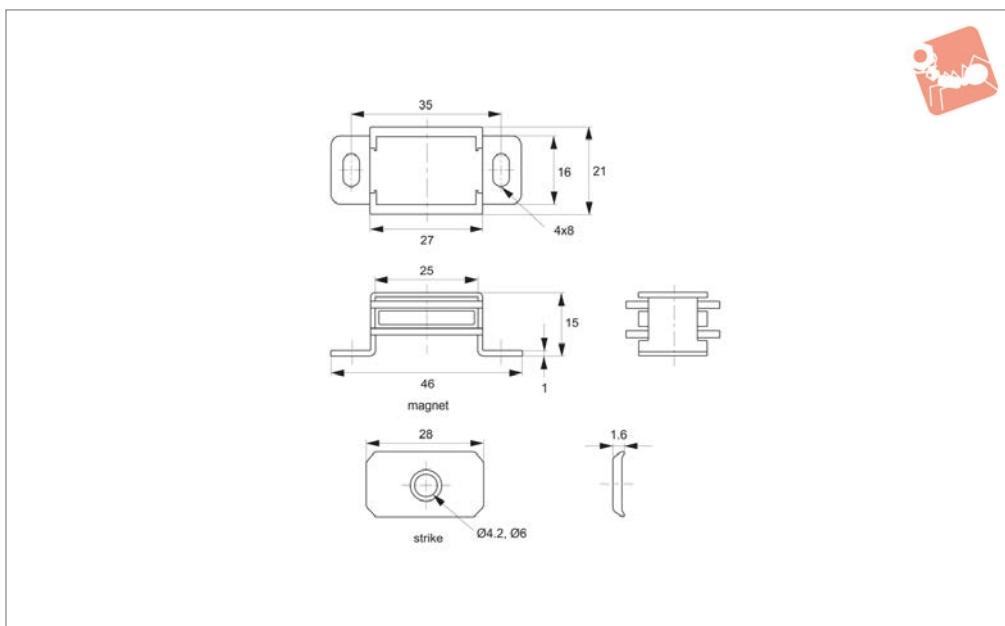
Technical Notes

Supplied with fitting screws.
Magnet and strike supplied together.

Order No.
E5700.AC0010

Magnetic force
kgf
0.8

Weight
g
17



E5750

CATCHES & LATCHES

Material

Body: aluminium alloy, natural.
Yoke and strike: steel, clear zinc chromate.

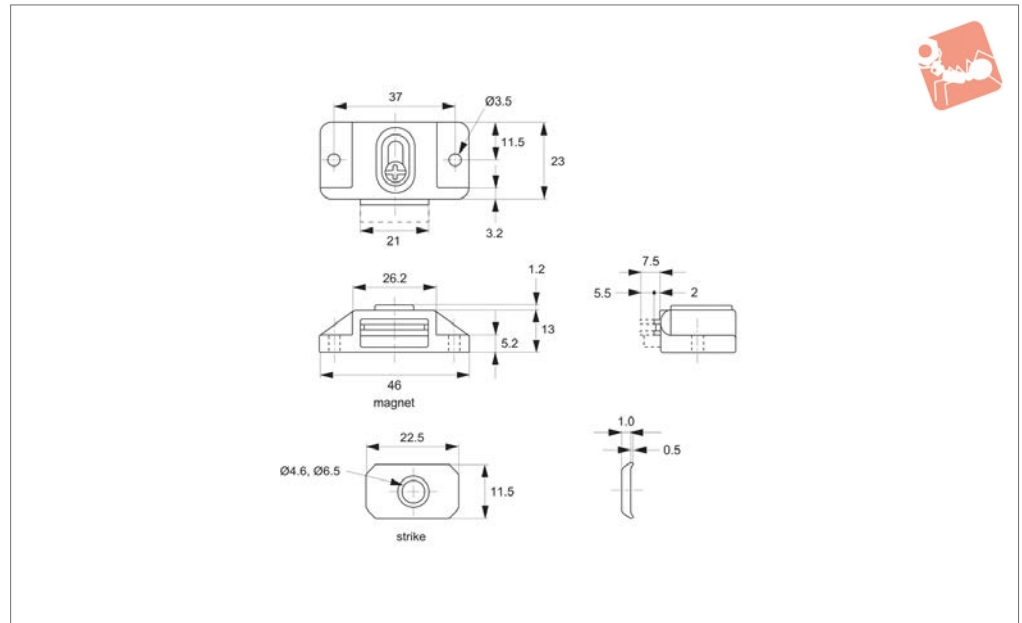
Technical Notes

Magnet and strike supplied together.

Order No.	Magnetic force kgf	Weight g
E5750.AC0010	1.5	28.5



E5800



Material

Body: ABS plastic.
Yoke: steel.

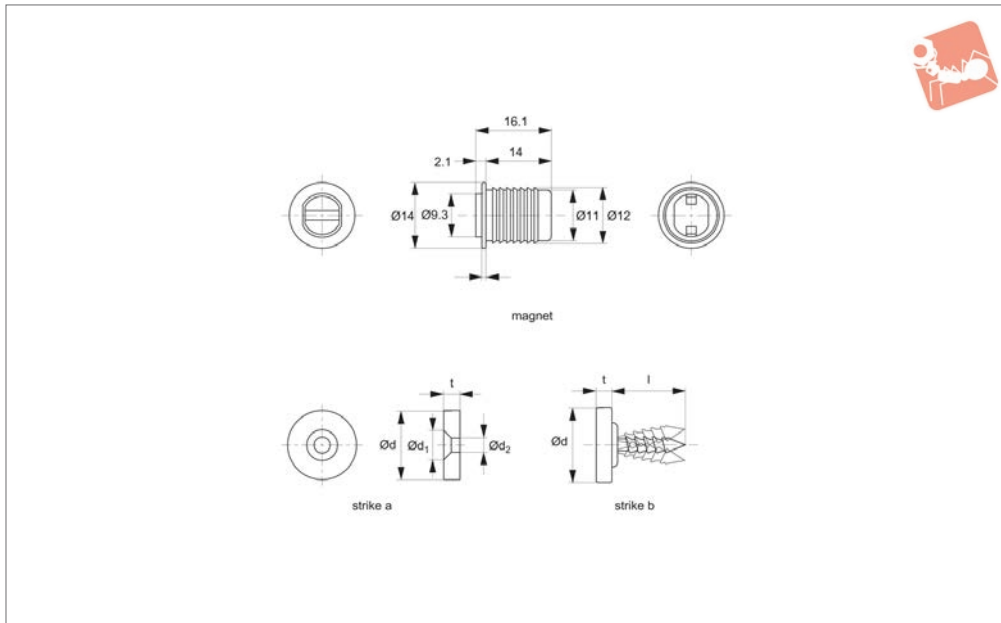
Technical Notes

Position of the magnet is adjustable by up to 5,5mm.

Supplied with screws (3,1x13).

Magnet and Strike supplied together.

Order No.	Magnetic force kgf	Finish	Weight g
E5800.AC0010	3	Ivory	18
E5800.AC0020	3	Black	18



E5850

Material

Body: polypropylene.

Yoke: steel.

Strike: steel, nickel or chrome plated.

b, to suit your application.

Moveable magnet enables better positioning to ensure full surface contact with strike, and hence full magnetic force.

pressure to plastic housing only, to avoid damage to the magnet.

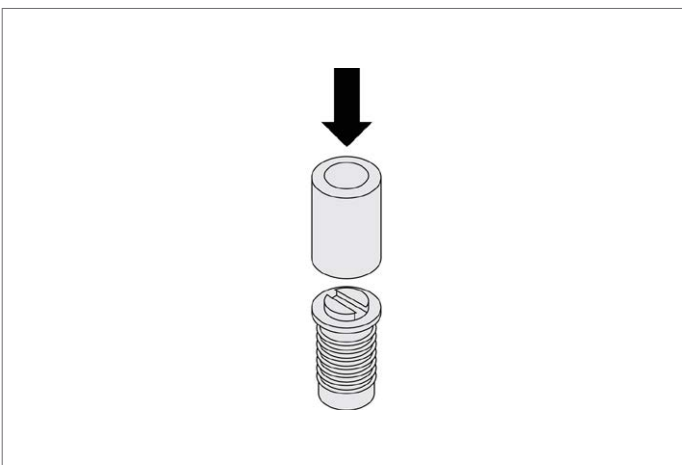
Technical Notes

Catches can be used with either strike a or

Tips

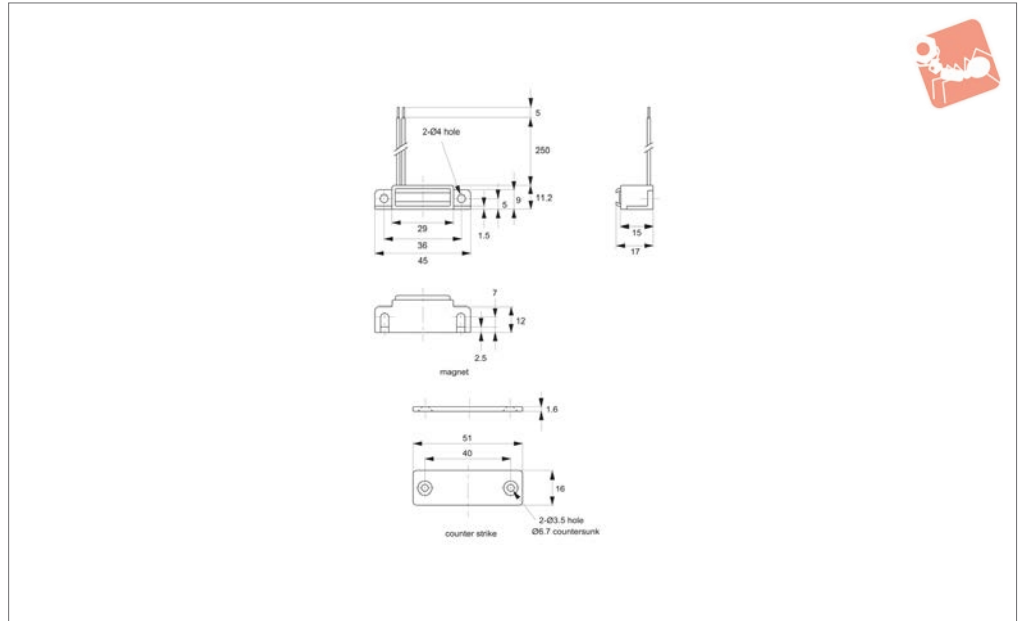
When installing magnet, use tube to apply

Order No.	Type	Magnetic force kgf	Finish	t	d	d ₁	d ₂	l	Weight g
E5850.AC0010	Magnet	2.5	White	-	-	-	-	-	6.0
E5850.AC0020	Magnet	2.5	Black	-	-	-	-	-	6.0
E5850.AC0703	Strike A	-	Chrome Plated	2.5	12	6	3	-	1.7
E5850.AC0704	Strike A	-	Nickel Plated	3.0	15	8	4	-	3.3
E5850.AC0713	Strike B	-	Nickel Plated	2.5	12	-	-	12	2.0





E5900



Material

Body: polycarbonate, black.
 Magnet and counter plate: steel, nickel plated.
 Cable: UL1007 AWG#26, black. Max. cable strength 1Kg.

Technical Notes

Magnet has the following electrical properties:

Wattage: 10W
 Voltage: 100V DC
 Max. load rating: 0.5A DC
 Max contact resistance (excl. cable): 0.15 ohm.
 Temperature resistance 0 to 60°C.

Tips

Type A: Reed switch closes when counter plate and magnet are separated.

Type B: Reed switch opens when counter plate and magnet are separated.

Important Notes

Magnet and Counter Strike enable completion or breaking of electrical circuit of the reed switch, and can be easily incorporated into a lighting or sensor circuit. The magnetic field is NOT powered on/off by any electrical current.

Order No.	Magnetic force kgf	Movement type	Weight g
E5900.AC0010	1	B - Reed Switch Open	28
E5900.AC0020	3	A - Reed Switch Closed	28
E5900.AC0030	3	B - Reed Switch Open	28

