

J0100

DRAW LATCHES

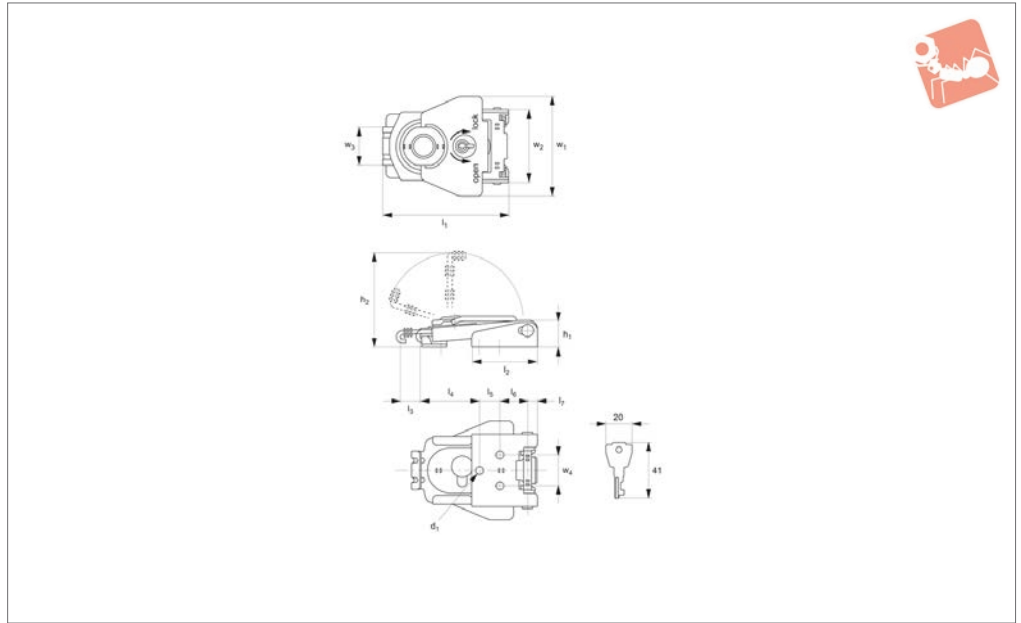
Material

All parts from stainless steel, AISI 304, polished.

Order No.	l_1	h_1	w_1	$\varnothing d_1$	h_2	l_2	l_3 stroke	w_2	w_3	Weight g
J0100.AC0030	61	22	60	8	43	30	10	34.5	20	85



J0150



Material

All parts from stainless steel, AISI 304, polished.

Single key supplied.

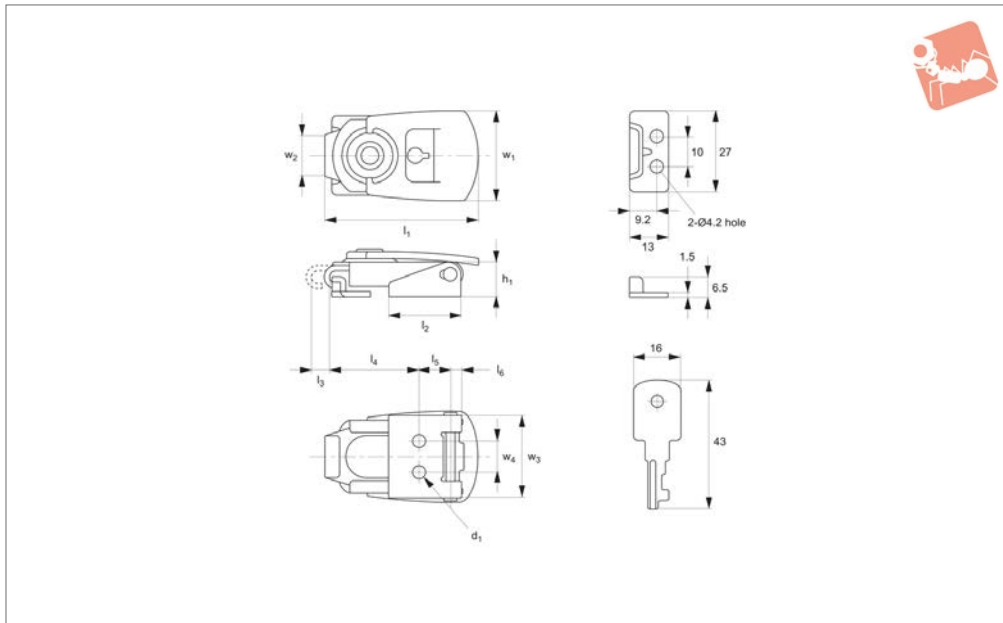
Order No.	l_1	h_1	w_1	d_1	h_2	l_2	l_3 stroke	l_4	l_5	l_6	l_7	w_2	w_3	w_4	Weight g
J0150.AC0030	65	13	52	4.2	48	34.5	10	34	11	14.4	5	38	20	16	105



Mini Draw Latches

stainless steel

Draw Latches



J0170

DRAW LATCHES

Material

All parts from stainless steel, AISI 304, plain.

Single key supplied.

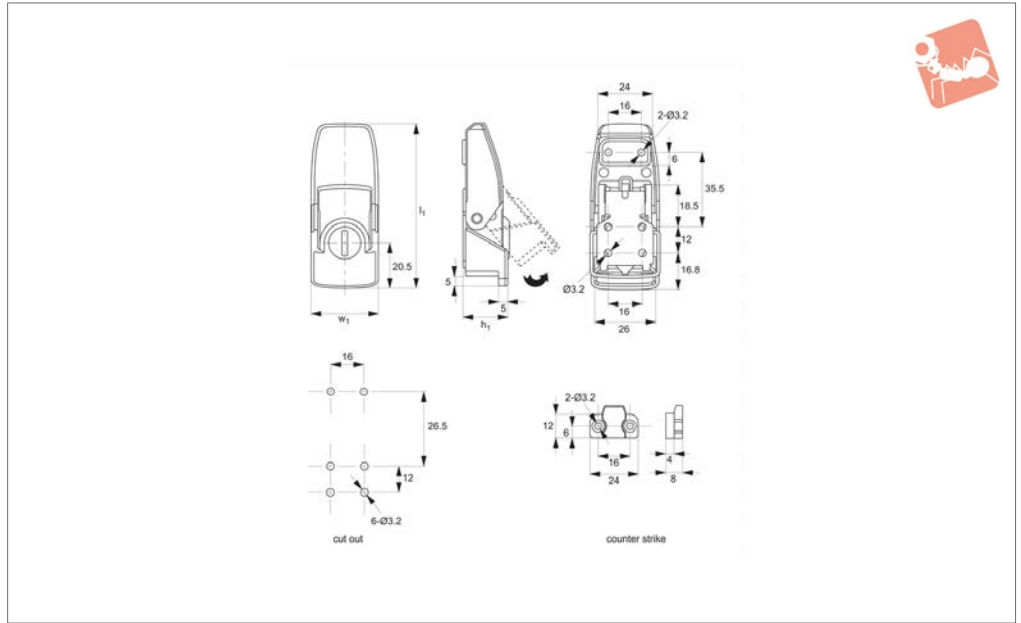
Technical Notes

Compact size, high strength.

Order No.	l_1	h_1	w_1	$\varnothing d_1$	l_2	l_3	l_4	l_5	l_6	w_2	w_3	w_4	Weight g
J0170.AC0030	51	11.5	30	4.2	24	6	31~(33)	10.5	3.5	14	27.3	10	50



J0200



Material

Housing and Strike: die cast zinc.
Bracket: stainless steel.

Supplied with: Keys: two per lock.

Not supplied: Fixing screws.

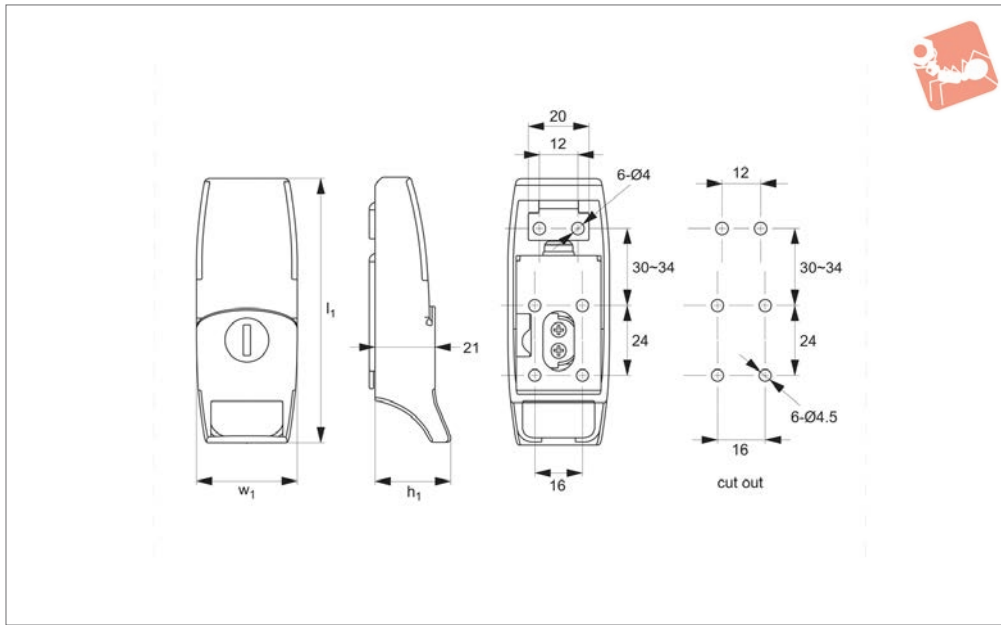
Order No.	Type	Finish	l_1	h_1	w_1
J0200.AW0010	With Lock	Chrome Plated	76	21	32
J0200.AW0020	With Lock	Black Coated	76	21	32
J0200.AW0310	Blank - No Lock	Chrome Plated	76	21	32
J0200.AW0320	Blank - No Lock	Black Coated	76	21	32



Draw Latches - with Lock

zinc

Draw Latches



J0220

DRAW LATCHES

Material

Housing and Strike: die cast zinc, black powder coated.

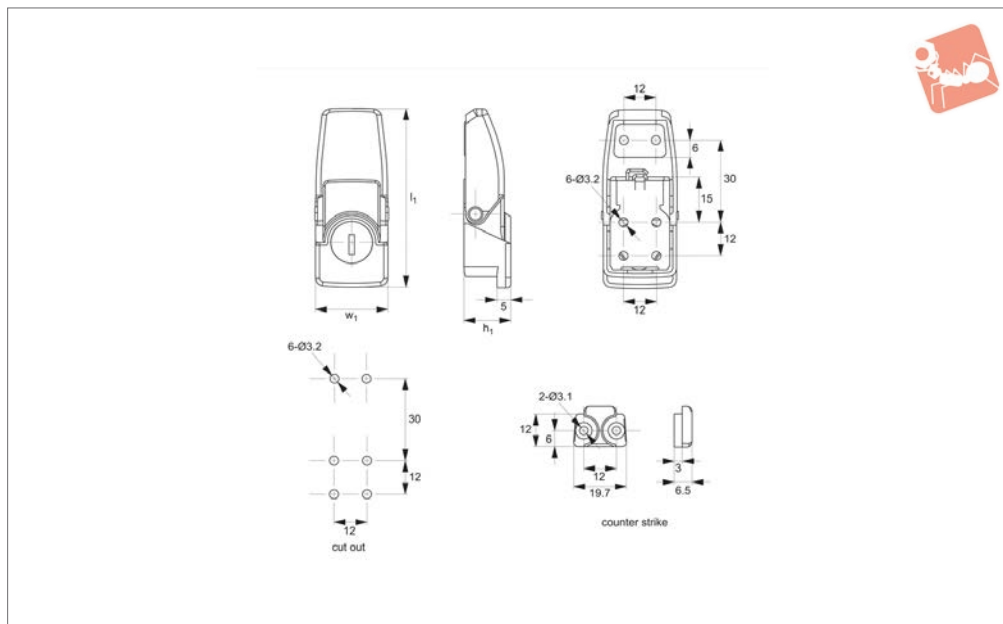
Bracket and strike: stainless steel.

Supplied with: Keys: two per lock.

Order No.	Finish	l_1	h_1	w_1
J0220.AW0010	Black Coated	92	25	36



J0240



Material

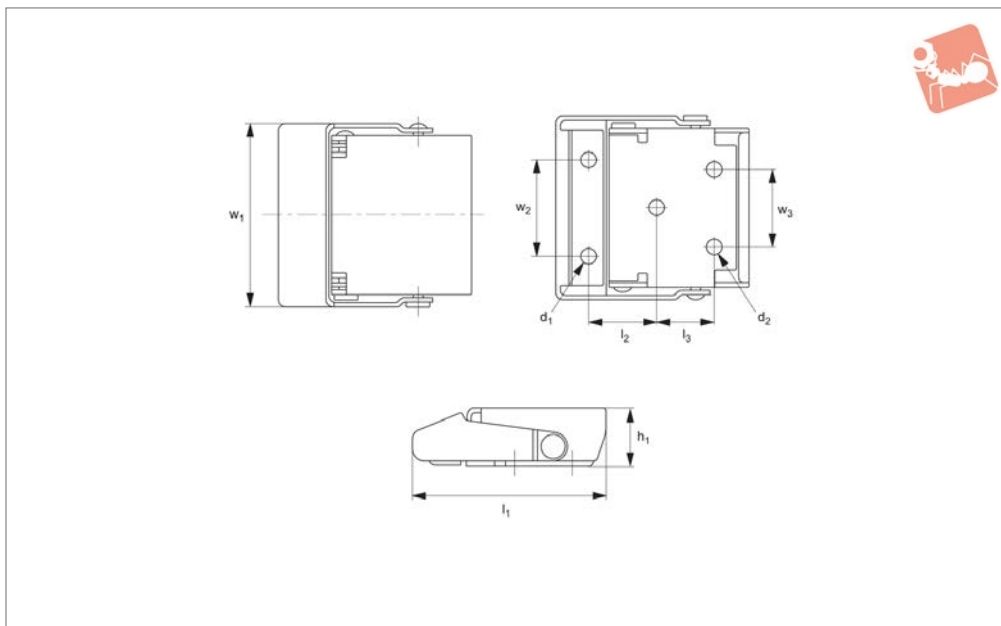
Housing and Strike: die cast zinc, black powder coated.

Bracket: stainless steel.

Supplied with: Keys: two per lock.

Not supplied: Fixing screws.

Order No.	Type	l_1	Material	h_2	w_2
J0240.AW0010	With Lock	64.5	Chrome Plated	16.5	26.5
J0240.AW0020	With Lock	64.5	Black Coated	16.5	26.5
J0240.AW0310	Blank - No Lock	64.5	Chrome Plated	16.5	26.5
J0240.AW0320	Blank - No Lock	64.5	Black Coated	16.5	26.5



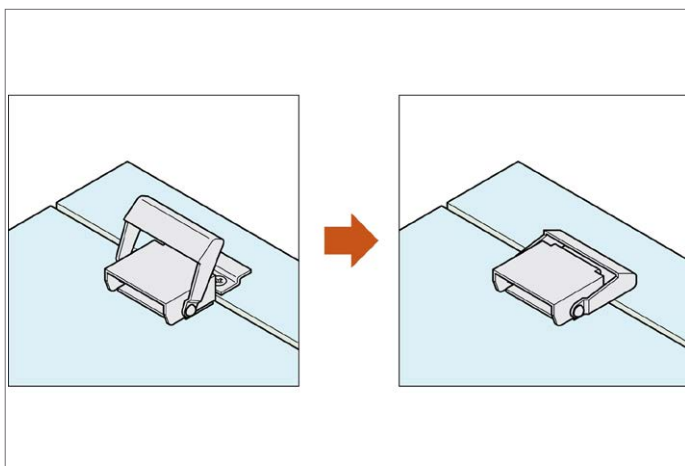
J0320

DRAW LATCHES

Material

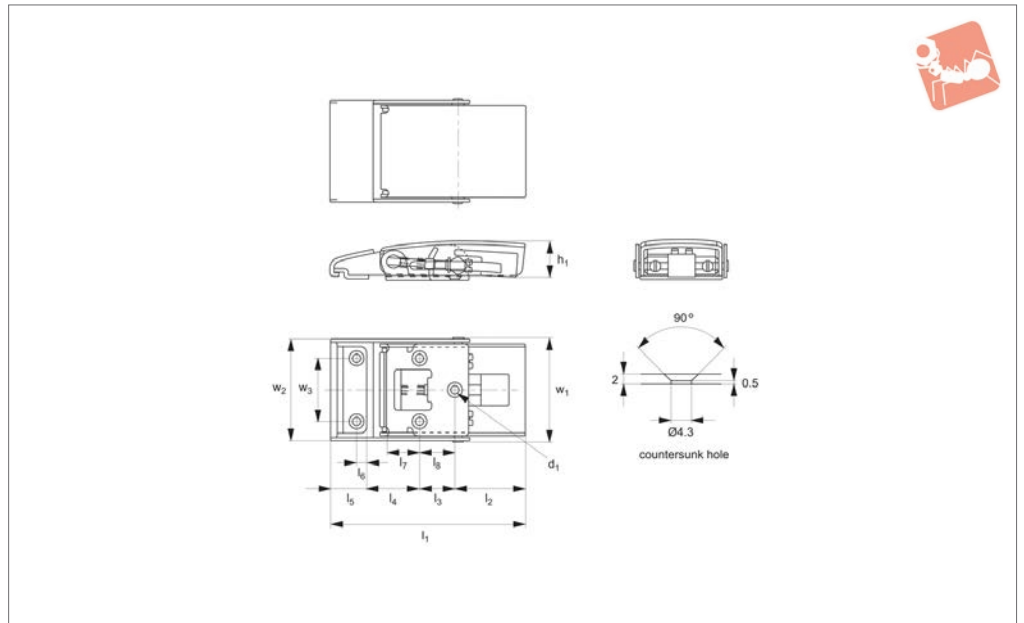
All parts from stainless steel, AISI 304, satin finish. Fixing screws not included.

Order No.	l_1	h_1	w_1	$\varnothing d_1$	$\varnothing d_2$	l_2	l_3	w_2	w_3	Weight g
J0320.AC0030	40	12	33	3.2	Ø3,2	14	12	20	16	30





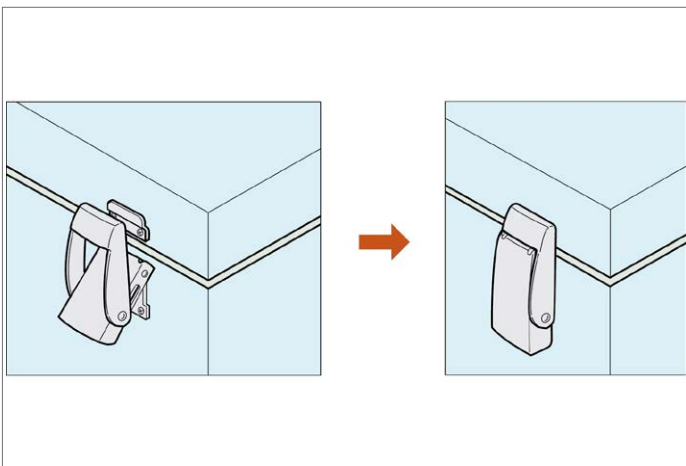
J0340

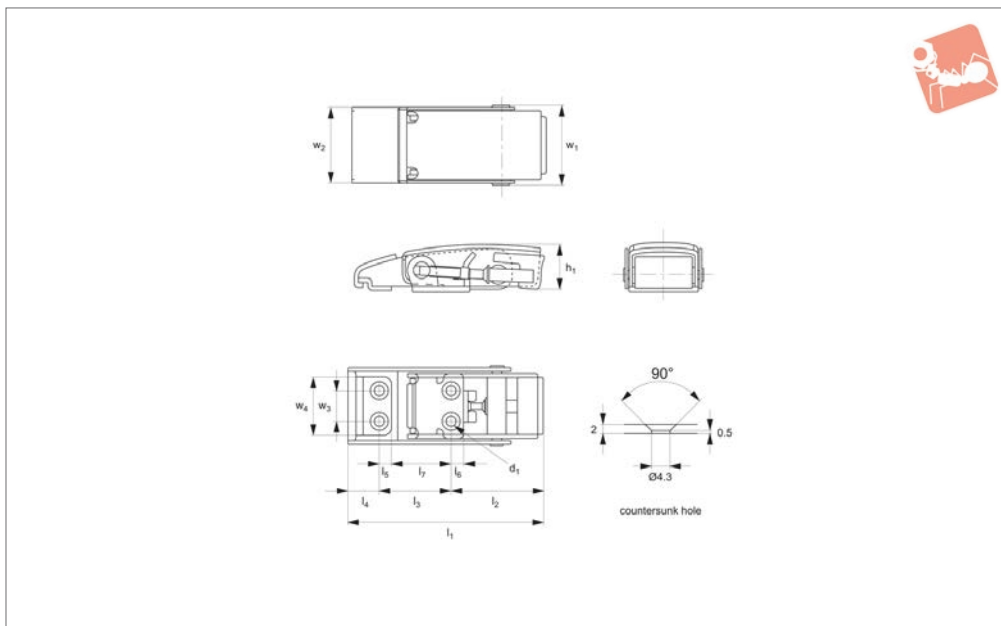


Material

All parts from stainless steel, AISI 304, satin finish. Fixing screws not included.

Order No.	l_1	Load capacity kg	d_1	h_1	w_1	l_2	l_3 ± 0.2	l_4 ± 0.5	l_5	l_6	l_7	l_8	w_2	w_3 ± 0.2	Weight g
J0340.AC0030	100	80	4.3	19.5	52.6	36.5	18	32	16.5	5	17	25	52	32	190





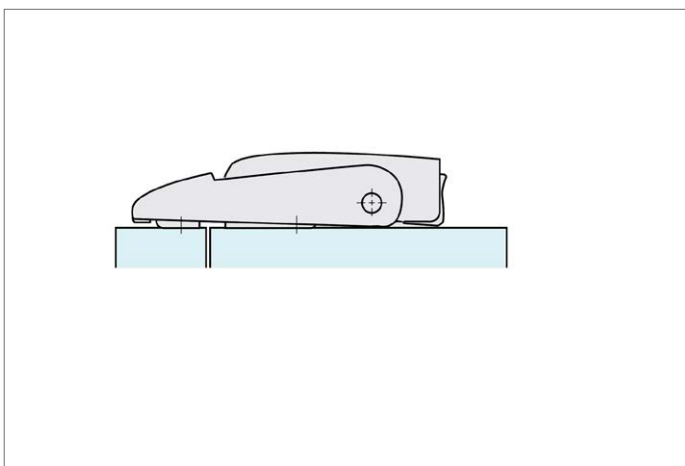
J0360

DRAW LATCHES

Material

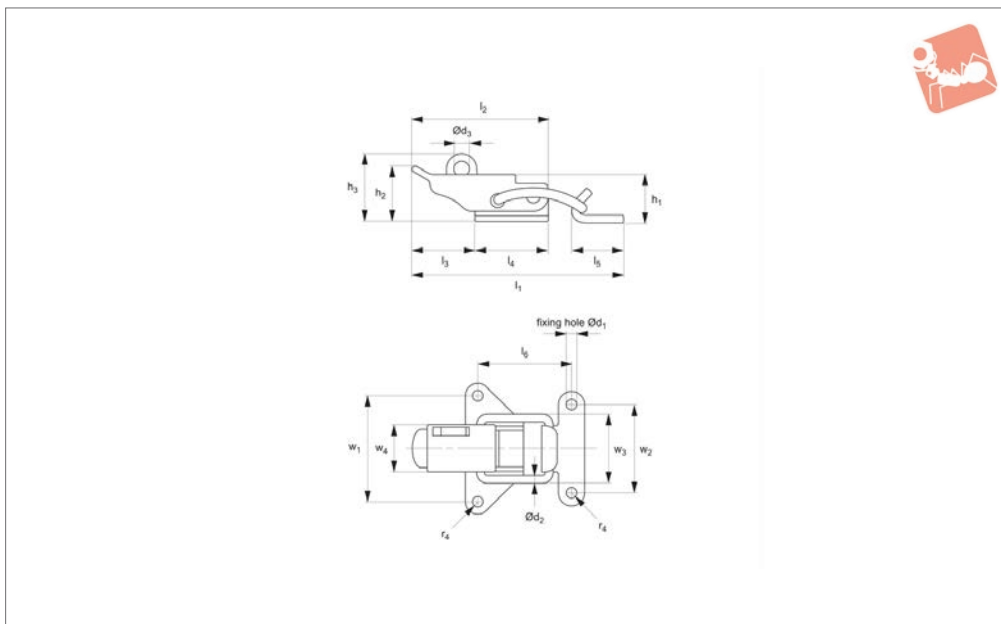
All parts from stainless steel, AISI 304, satin finish. Fixing screws not included.

Order No.	l_1	Load capacity kg	h_1	w_1	$\varnothing d_1$	l_2	l_3 0 -0.5	l_4	l_5	l_6	l_7	w_2	w_3 ± 0.2	w_4	Weight g
J0360.AC0030	82	80	19.5	33.6	4.3	38.5	30	13.5	5	5	52	32	13	25	111





J0500



Material

Steel, Fe P02 + P12, UNI5866, nickel or zinc plated.

Technical Notes

Supplied with counter strike.

Order No.	Finish	l_1	h_1	w_1	$\varnothing d_1$	$\varnothing d_2$	$\varnothing d_3$	h_2 ± 0.5	h_3	Weight g
J0500.AC0001	Nickel Plated Steel	52	11	33	3.5	2	4	12	17.5	20
J0500.AC0004	Zinc Plated Steel	52	11	33	3.5	2	4	12	17.5	20

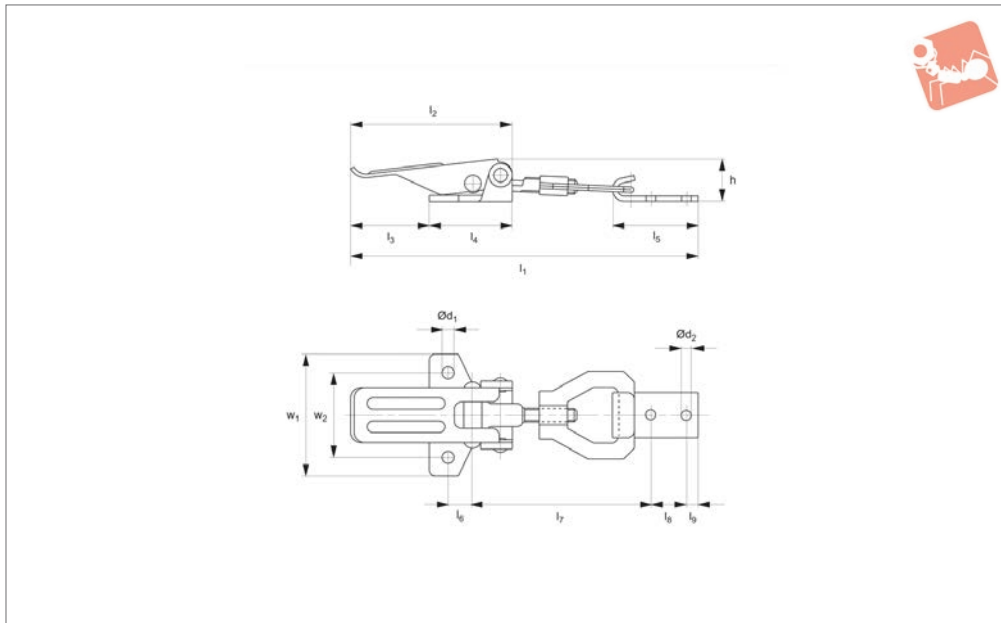
Order No.	l_2	l_3	l_4	l_5	l_6 ± 0.3	w_2	w_3	w_4	Load N max.	Tension N max.
J0500.AC0001	34	16	18	13	28.5	28	21	15	550	1500
J0500.AC0004	34	16	18	13	28.5	28	21	15	550	1500



Toggle Latches

adjustable, stainless steel

Draw Latches



J0520

DRAW LATCHES

Material

Steel, Fe P02 + P12, UNI5866, zinc plated.
Or stainless steel AISI 304, UNI x5crNi.

Technical Notes

Supplied with counter strike.
Draw length adjustable through turns of

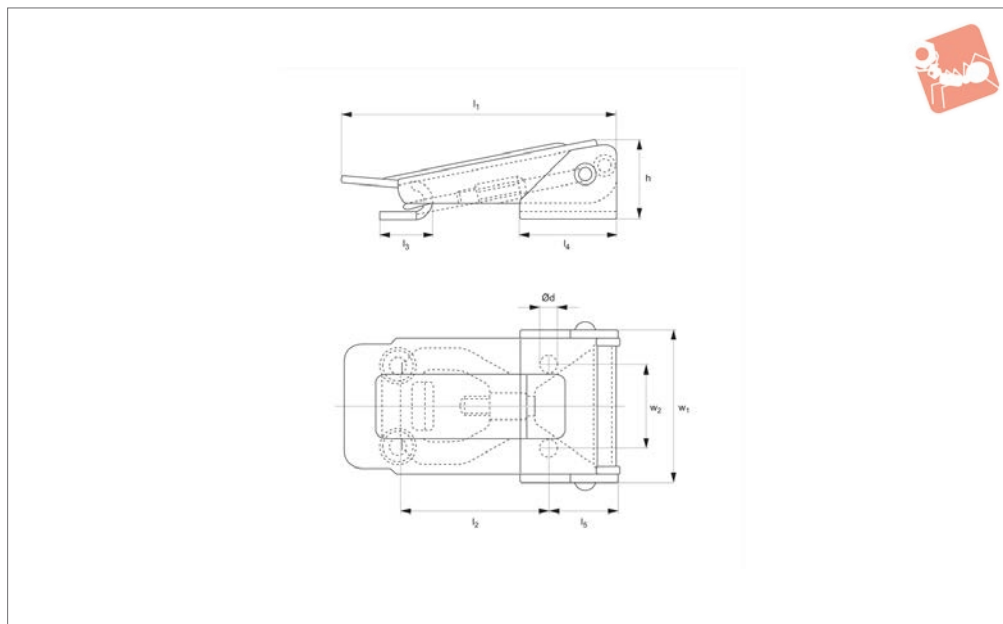
threaded draw rod, giving 12mm length of adjustment.

Order No.	Finish	l_1	h	w_1	$\varnothing d_1$	$\varnothing d_2$	l_2	l_3	l_4	Weight g
J0520.AC0004	Zinc Plated Steel	138 to 150	18	52	5.2	4.1	67.5	33	35	110
J0520.AC0030	Stainless Steel	138 to 150	18	52	5.2	4.1	67.5	33	35	110

Order No.	l_5	l_6	l_7	l_8	l_9	Load N max.	Tension N max.	w_2	w_3
J0520.AC0004	36	10	68 to 80	15	5	1100	2500	36	19
J0520.AC0030	36	10	68 to 80	15	5	1100	2500	36	19



J0560



Material

Steel, Fe P02 + P12, UNI5866, zinc plated.
Or stainless steel AISI 304, UNI x5crNi.

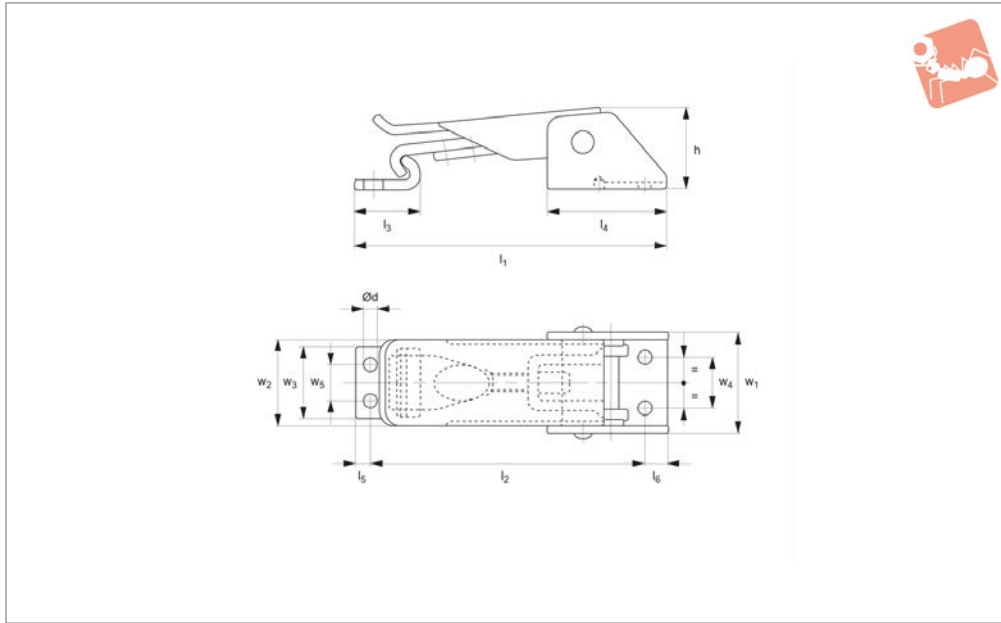
Technical Notes

Supplied with counter strike.
Draw length adjustable through turns of

threaded draw rod, giving 12mm length of adjustment.

Order No.	Finish	l_1	h	w_1	$\varnothing d$	l_2	Weight g
J0560.AC0004	Zinc Plated Steel	88	26	48.5	5.5	48 to 60	160
J0560.AC0030	Stainless Steel	88	26	48.5	5.5	48 to 60	160

Order No.	l_3	l_4	l_5	Load N max.	Tension N max.	w_2
J0560.AC0004	17	31	22	1500	3000	26
J0560.AC0030	17	31	22	1500	3000	26



J0580

DRAW LATCHES

Material

Steel, Fe P02 + P12, UNI5866, nickel plated.

Technical Notes

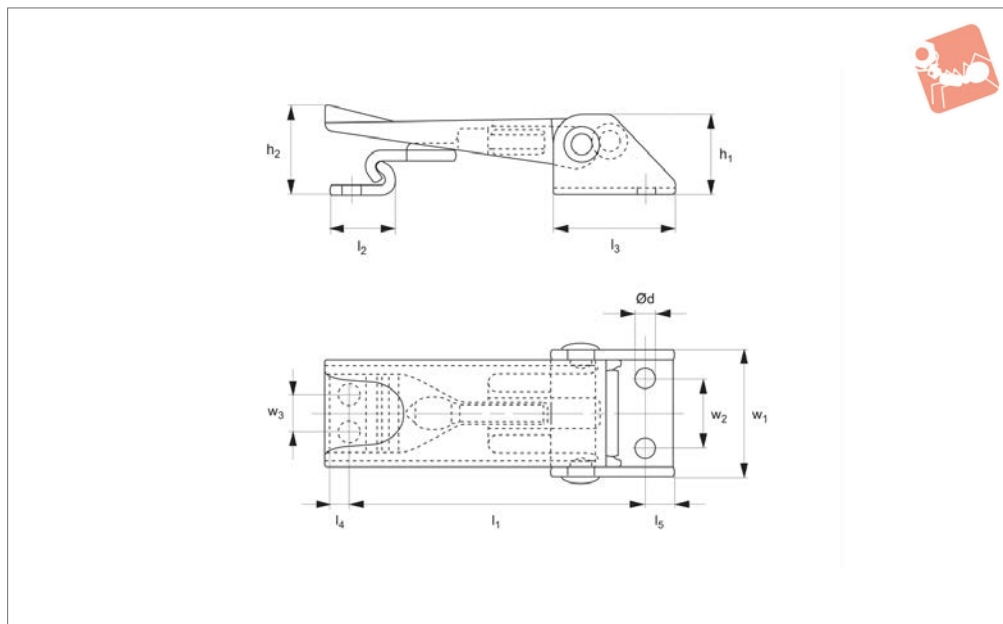
Supplied with counter strike.
Draw length adjustable through turns of

threaded draw rod, giving 12mm length of adjustment.

Order No.	Finish	l_1	h	w_1	$\varnothing d$	l_2	l_3	l_4	Weight g
J0580.AC0001	Nickel plated steel	82 to 94	22	27	3.6	72 to 84	17.5	33	100
Order No.	l_5	l_6	Load N max.	Tension N max.	w_2	w_3	w_4	w_5	
J0580.AC0001	4	6	1000	2000	24	19	14	10	



J0600



Material

Steel, Fe P02 + P12, UNI5866, zinc plated.
Or stainless steel AISI 304, UNI x5crNi.

Technical Notes

Supplied with counter strike.
Draw length adjustable through turns of

threaded draw rod, giving 10mm length of adjustment.

Order No.	Finish	l_1	h_1	w_1	$\varnothing d$	h_2	Weight g
J0600.AC0008	Zinc Plated	60 to 70	16	25.5	4.2	18	55
J0600.AC0030	Stainless Steel	60 to 70	16	25.5	4.2	18	55

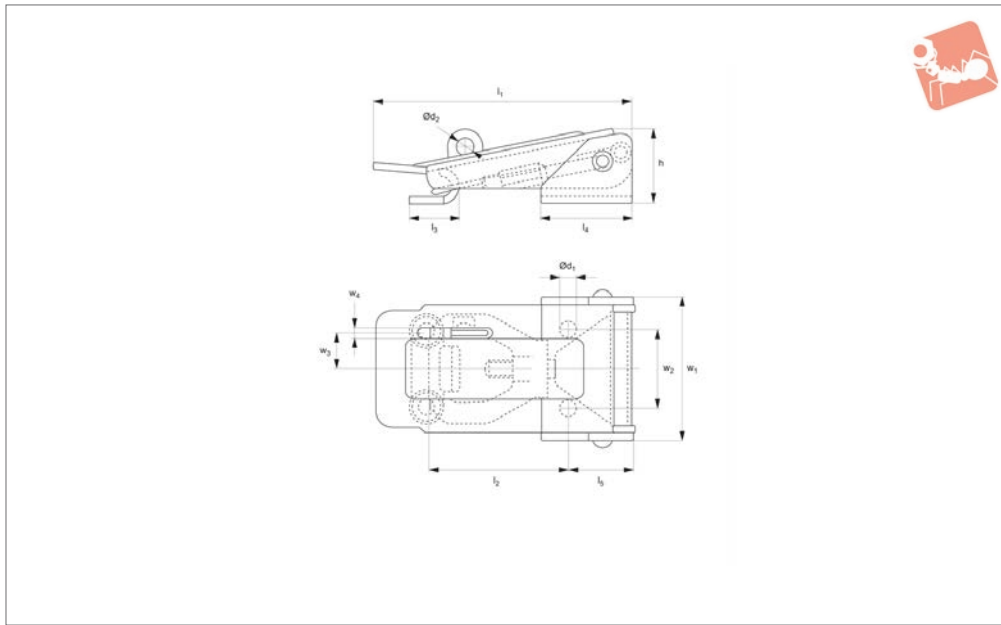
Order No.	l_2	l_3	l_4	l_5	Load N max.	Tension N max.	w_2	w_3
J0600.AC0008	14	25	4	6	1000	1400	14	8
J0600.AC0030	14	25	4	6	1000	1400	14	8



Toggle Latches

adjustable with padlock hasp.

Draw Latches



J0562

DRAW LATCHES

Material

Steel, Fe P02 + P12, UNI5866, zinc plated.

Technical Notes

Supplied with counter strike.

Draw length adjustable through turns of threaded draw rod, giving 12mm length of adjustment.
Use padlock of 6mm dia. or less.

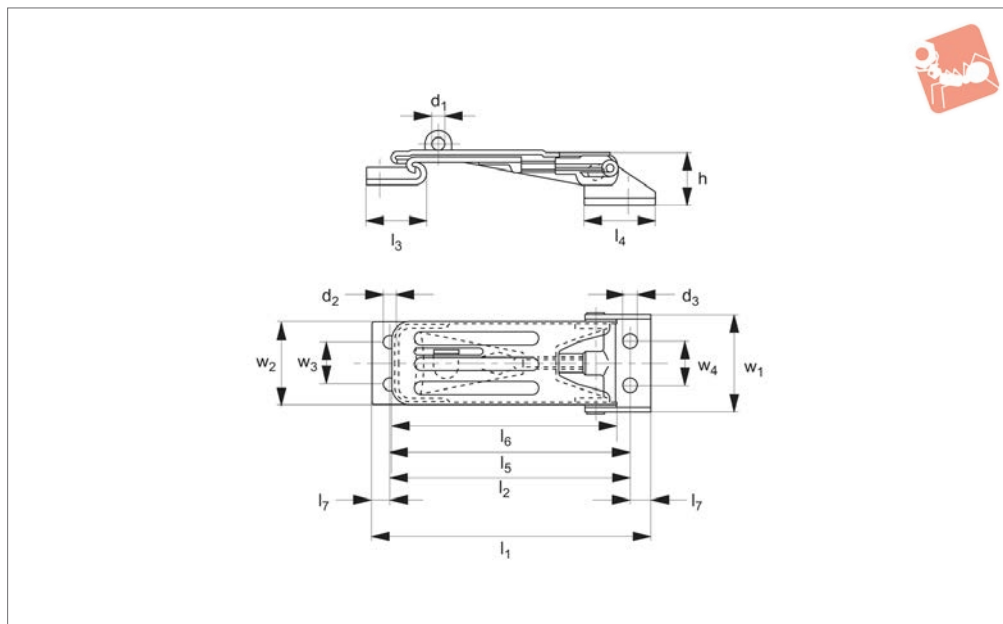
Order No.	Finish	l_1	h	w_1	$\varnothing d_1$	$\varnothing d_2$	l_2	Weight g
J0562.AC0004	Zinc Plated Steel	88	26	48.5	5.5	6	48 to 60	170
Order No.	l_3	l_4	l_5	w_2	w_3	w_4	Load N max.	Tension N max.
J0562.AC0004	17	31	22	26	12	1.5	1500	3000



DRAW LATCHES



J0590



Material

Steel, Fe P02 + P12, UNI5866, zinc plated.

Technical Notes

Supplied with counter strike.

Draw length adjustable through turns of threaded draw rod, giving 12mm length of adjustment.
Use padlock of 6mm dia. or less.

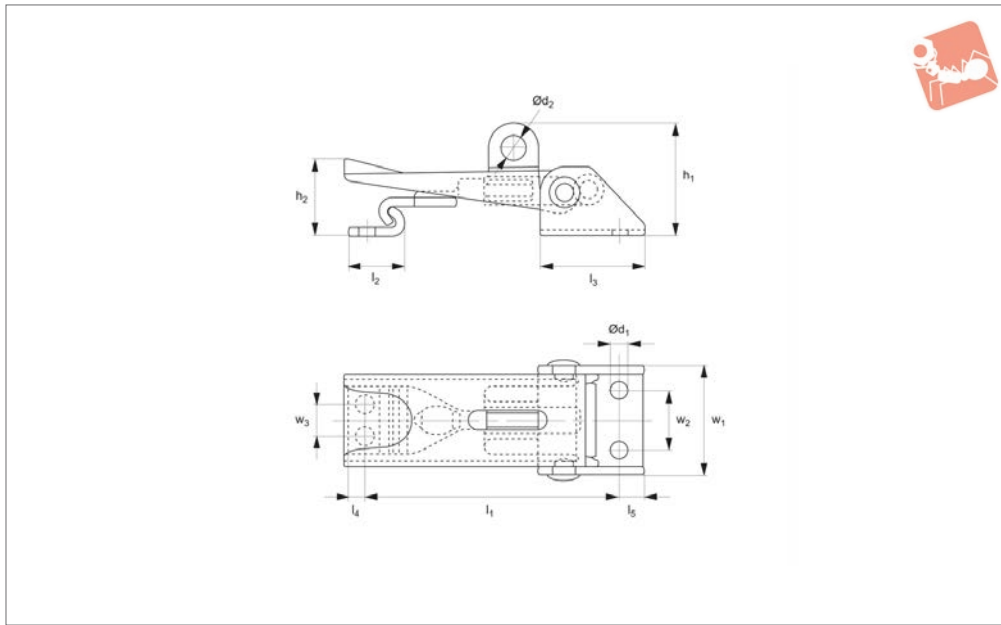
Order No.	Finish	l_1	h	w_1	d_1	$\varnothing d_2$	$\varnothing d_3$	l_2	l_3	Weight g
J0590.AC0008	Zinc Plated	135 to 150	23	45.5	6	6.6	7.1	115 to 130	30.7	190
Order No.	l_4	l_5	l_6	l_7	w_2	w_3	w_4	Load N max.	Tension N max.	
J0590.AC0008	35	131.5	114	10	40	22	22	2000	4000	



Toggle Latches

adjustable with padlock shackle, **stainless steel**

Draw Latches



J0602

DRAW LATCHES

Material

Steel, Fe P02 + P12, UNI5866, zinc plated.
Or stainless steel AISI 304, UNI x5crNi.

Draw length adjustable through turns of threaded draw rod, giving 10mm length of adjustment.

Technical Notes

Supplied with counter strike.

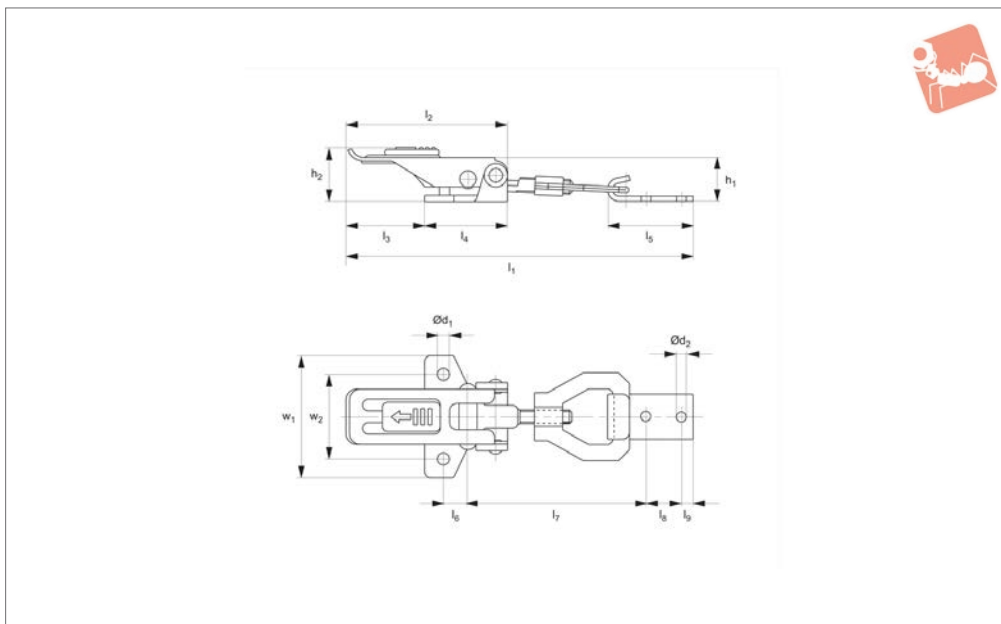
Use padlock of 6mm dia. or less.

Order No.	Finish	l_1	h_1	w_1	$\varnothing d_1$	$\varnothing d_2$	h_2	Weight g
J0602.AC0008	Zinc Plated	60 to 70	27	25.5	4.2	6	18	55
J0602.AC0030	Stainless Steel	60 to 70	27	25.5	4.2	6	18	55

Order No.	l_2	l_3	l_4	l_5	w_2	w_3	Load N max.	Tension N max.
J0602.AC0008	14	25	4	6	14	8	1000	1400
J0602.AC0030	14	25	4	6	14	8	1000	1400



J0540



Material

Steel, Fe P02 + P12, UNI5866, zinc plated.
Or stainless steel AISI 304, UNI x5crNi.

Technical Notes

Supplied with counter strike.
Draw length adjustable through turns of

threaded draw rod, giving 12mm length of adjustment.

Order No.	Finish	l_1	w_1	h_1	$\varnothing d_1$	$\varnothing d_2$	h_2	l_2	l_3	Weight g
J0540.AC0001	Nickel plated steel	138 to 150	52	18	5.2	4.1	22	67.5	33	105
J0540.AC0030	Stainless steel	138 to 150	52	18	5.2	4.1	22	67.5	33	105

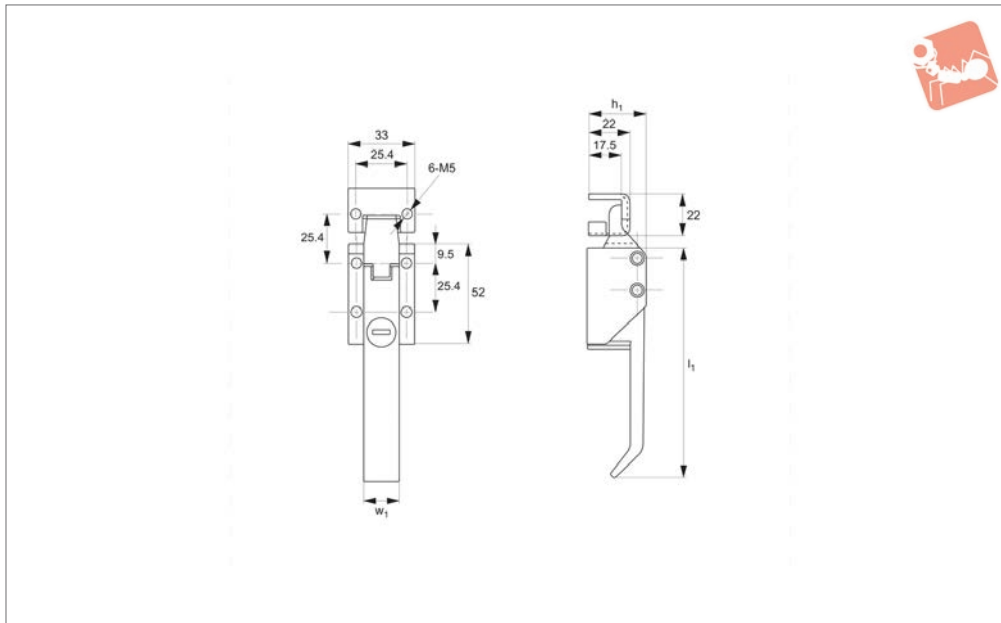
Order No.	l_4	l_5	l_6	l_7	l_8	l_9	w_2	w_3	Load N max.	Tension N max.
J0540.AC0001	35	36	10	68 to 80	15	5	36	19	1100	2500
J0540.AC0030	35	36	10	68 to 80	15	5	36	19	1100	2500



Over Centre Lever Latch - with Lock

standard cylinder lock - zinc

Draw Latches



J0660

DRAW LATCHES

Material

Housing, Handle and Strike: die cast zinc, black powder coated.

Pins: stainless steel.

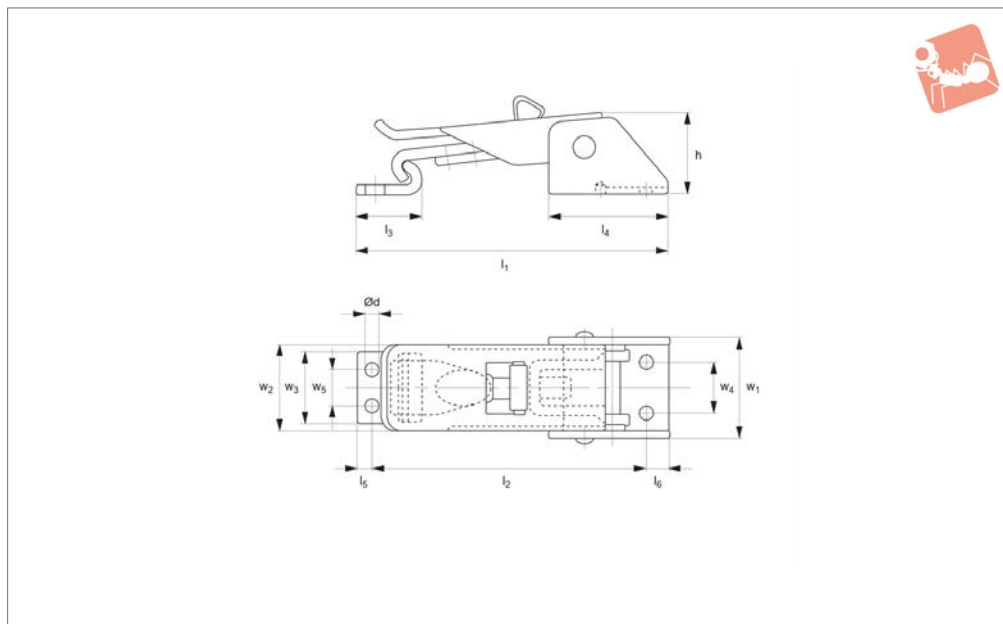
Supplied with: Keys and counter strike.

Not supplied: Fixing screws.

Order No.	Type	l_1	w	h_1
J0660.AW0010	With Lock	127	18	31.5
J0660.AW0020	Blank - W/o Lock	127	18	31.5



J0582



Material

Steel, Fe P02 + P12, UNI5866, zinc plated.

Draw length adjustable through turns of threaded draw rod, giving 12mm length of adjustment.

Technical Notes

Supplied with counter strike.

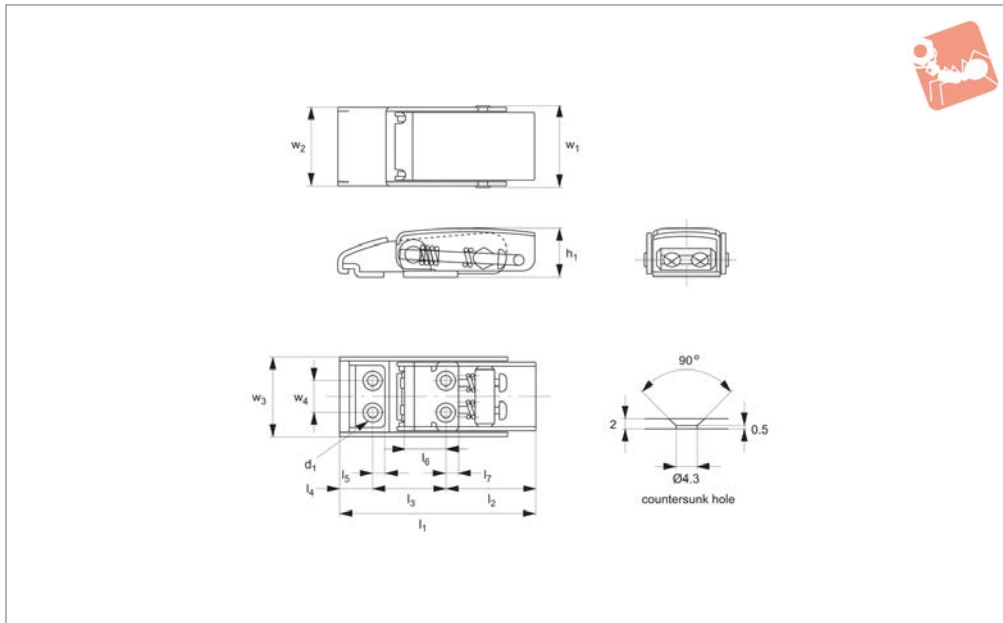
Order No.	Finish	l_1	h	w_1	$\varnothing d$	l_2	l_3	l_4	Weight g
J0582.AC0004	Zinc Plated Steel	82-94	22	27	3.6	72 to 84	17.5	33	90
Order No.	l_5	l_6	w_2	w_3	w_4	w_5	Load N max.	Tension N max.	
J0582.AC0004	4	6	24	19	14	10	1000	2000	



Draw Latches - Spring Loaded

stainless steel

Draw Latches



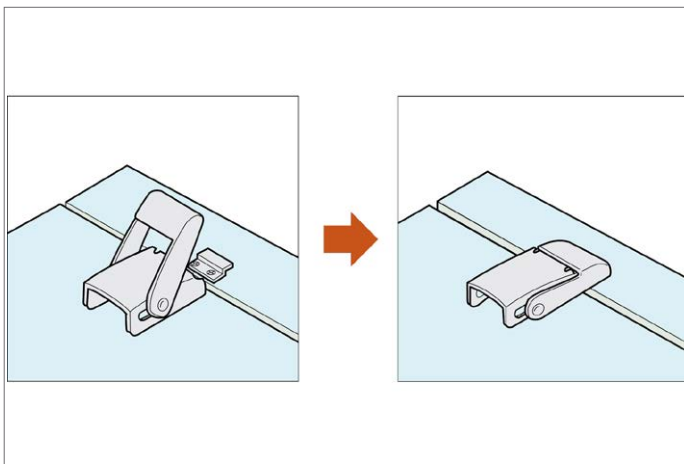
J0300

DRAW LATCHES

Material

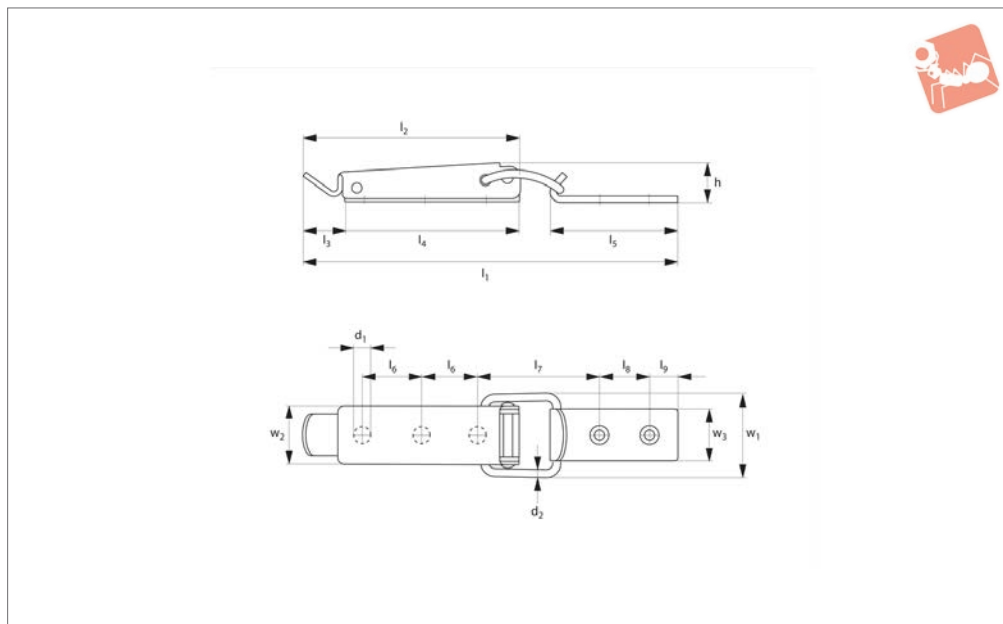
All parts from stainless steel, AISI 304, satin finish. Fixing screws not included.

Order No.	l_1	h_1	w_1	$\varnothing d_1$	Load capacity kg	l_2	l_3	l_4	l_5	l_6	l_7	w_2	w_3	w_4 ± 0.2	Weight g
J0300.AC0030	80	19.5	33	4.3	80	36.5	30	13.5	5	17	5	32	25	13	110





J0400



Material

Steel, Fe P02 + P12, UNI5866, zinc plated.
Or stainless steel AISI 304, UNI x5crNi.

Technical Notes

Supplied with counter strike.

Order No.	Finish	l_1	w_1 ± 0.5	h ± 0.5	$\varnothing d_1$	$\varnothing d_2$	l_2	l_3	l_4 ± 0.5	Weight g
J0400.AC0004	Zinc Plated Steel	193.5	43	19	5.3	4	112	21.5	90	190
J0400.AC0030	Stainless Steel	193.5	43	19	5.3	4	112	21.5	90	190

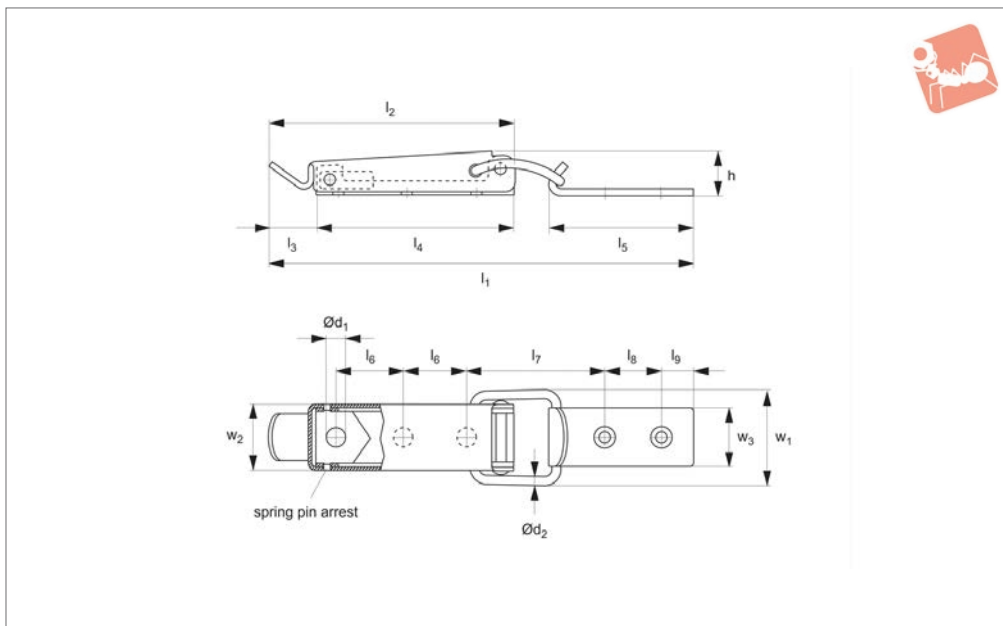
Order No.	l_5	l_6	l_7 ± 0.5	l_8	l_9	w_2 ± 0.5	w_3	Load N max.	Tension N max.
J0400.AC0004	66	31.5	58.5	25.5	15	30	27	2000	4000
J0400.AC0030	66	31.5	58.5	25.5	15	30	27	2000	4000



Toggle Latches

with click arrest, **stainless steel**

Draw Latches



J0426

DRAW LATCHES

Material

Steel, Fe P02 + P12, UNI5866, zinc plated.
Or stainless steel AISI 304, UNI x5crNi.

Technical Notes

Supplied with counter strike. Features a spring pin locking system, pin must be

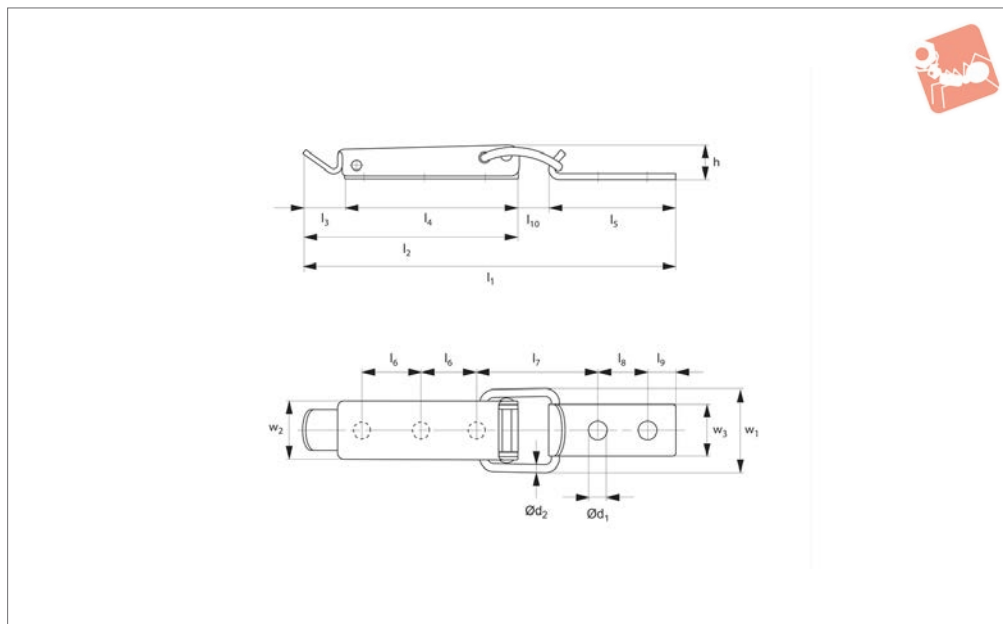
depressed for the toggle latch to be released.

Order No.	Finish	l_1	w_1 ± 0.5	h ± 0.5	$\varnothing d_1$	$\varnothing d_2$	l_2	l_3	l_4 ± 0.5	Weight g
J0426.AC0004	Zinc Plated Steel	193.5	43	19	5.3	4	112	21.5	90	190
J0426.AC0030	Stainless Steel	193.5	43	19	5.3	4	112	21.5	90	190

Order No.	l_5	l_6	l_7 ± 0.5	l_8	l_9	w_2 ± 0.5	w_3	Load N max.	Tension N max.
J0426.AC0004	66	31.5	58.5	25.5	15	30	27	2000	4000
J0426.AC0030	66	31.5	58.5	25.5	15	30	27	2000	4000



J0428



Material

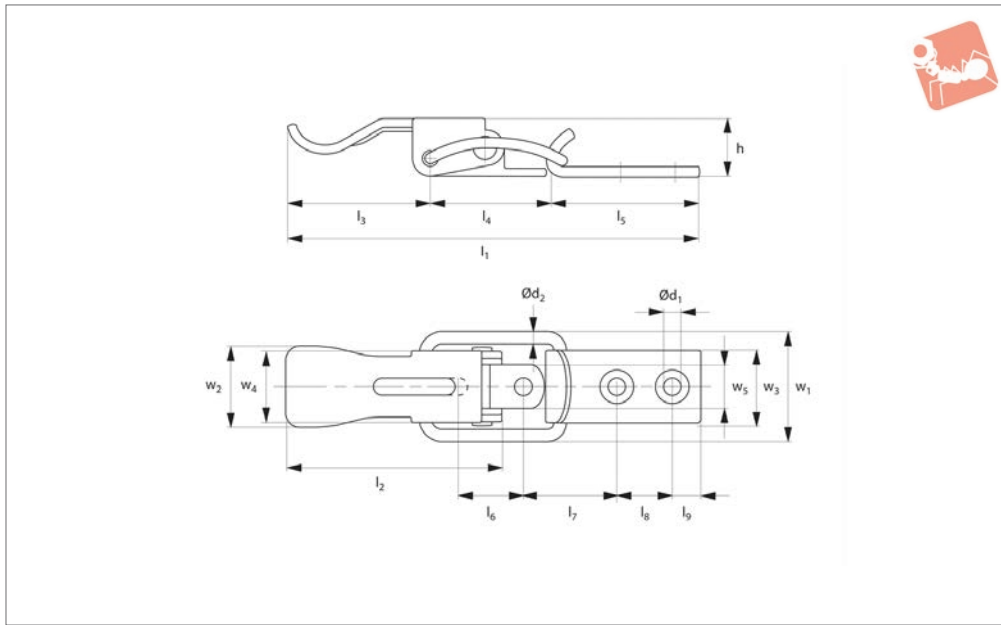
Steel, Fe P02 + P12, UNI5866, zinc plated.
Or stainless steel AISI 304, UNI x5crNi.

Technical Notes

Supplied with counter strike.

Order No.	Finish	l_1	w_1	h	$\varnothing d_1$	$\varnothing d_2$	l_2	l_{10}	l_3	l_4	Weight g
J0428.AC0004	Zinc Plated Steel	140.5	34	12.5	4.1	3	86	11.5	16	70	75
J0428.AC0030	Stainless Steel	140.5	34	12.5	4.1	3	86	11.5	16	70	75

Order No.	l_5	l_6	l_7 ± 0.5	l_8	l_9	w_2	w_3	Load N max.	Tension N max.
J0428.AC0004	43	22.5	38	20	8	23	19	1500	3000
J0428.AC0030	43	22.5	38	20	8	23	19	1500	3000



J0434

DRAW LATCHES

Material

Steel, Fe P02 + P12, UNI5866, zinc plated.
Or stainless steel AISI 304, UNI x5crNi.

Technical Notes

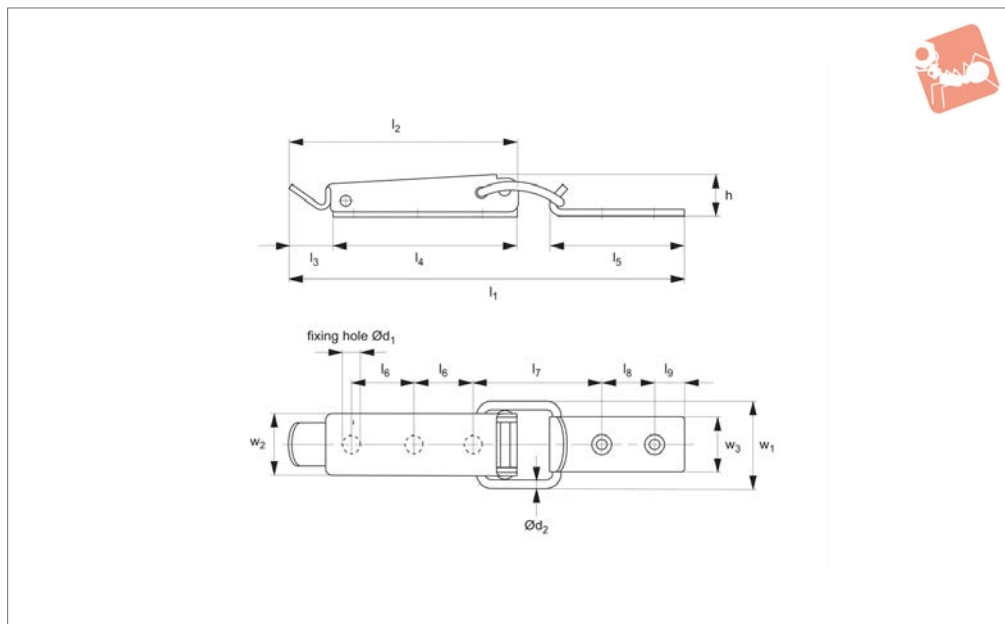
Supplied with counter strike.

Order No.	Finish	l_1	w_1	h	$\varnothing d_1$	$\varnothing d_2$	l_2	l_3	l_4	l_5	Weight g
J0434.AC0004	Zinc plated steel	76.5	21	10.7	3.2	2	39.5	25	22	28	15
J0434.AC0030	Stainless steel	76.5	21	10.7	3.2	2	39.5	25	22	28	15

Order No.	l_6	l_7	l_8	l_9	w_2	w_3	w_4	w_5	Load N max.	Tension N max.
J0434.AC0004	15	18	10	5	15	13	12.9	8	400	1000
J0434.AC0030	15	18	10	5	15	13	12.9	8	400	1000



J0440



Material

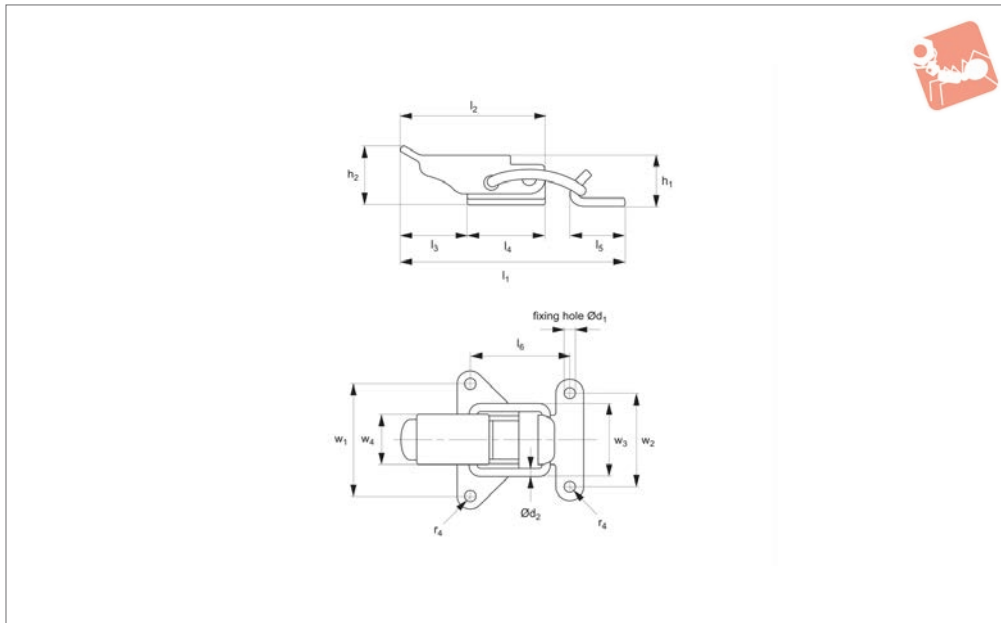
Steel, Fe P02 + P12, UNI5866, zinc plated.
Or stainless steel AISI 304, UNI x5crNi.

Technical Notes

Supplied with counter strike.

Order No.	Finish	l_1	w_1	h	$\varnothing d_1$	d_2	l_2	l_3	l_4	Weight g
J0440.AC0004	Zinc Plated Steel	102	23	11	3.2	2	60	16	44	30
J0440.AC0030	Stainless Steel	102	23	11	3.2	2	60	16	44	30

Order No.	l_5	l_6	l_7 ± 0.5	l_8	l_9	w_2	w_3	Load N max.	Tension N max.
J0440.AC0004	30	12.5	34.5	12	5	16.4	13	550	1300
J0440.AC0030	30	12.5	34.5	12	5	16.4	13	350	1000



J0480

DRAW LATCHES

Material

Steel, Fe P02 + P12, UNI5866, zinc plated.
Or stainless steel AISI 304, UNI x5crNi.

Technical Notes

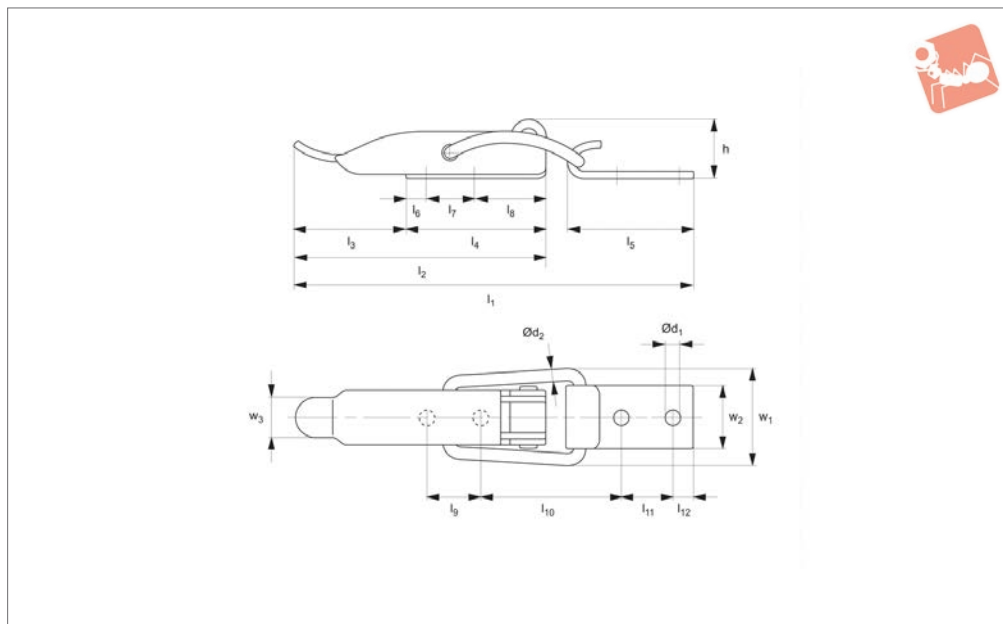
Supplied with counter strike.

Order No.	Finish	l_1	h_1	w_1	$\varnothing d_1$	$\varnothing d_2$	l_2	h_2 ± 0.5	Weight g
J0480.AC0004	Zinc Plated Steel	52	11	33	3.5	2	34	12	20
J0480.AC0030	Stainless Steel	52	11	33	3.5	2	34	12	20

Order No.	l_3	l_4	l_5	l_6 ± 0.5	w_2	w_3 -1 0	w_4	Load N max.	Tension N max.
J0480.AC0004	16	18	13	28.5	28	23	15	550	1500
J0480.AC0030	16	18	13	28.5	28	23	15	550	1500



J0550



Material

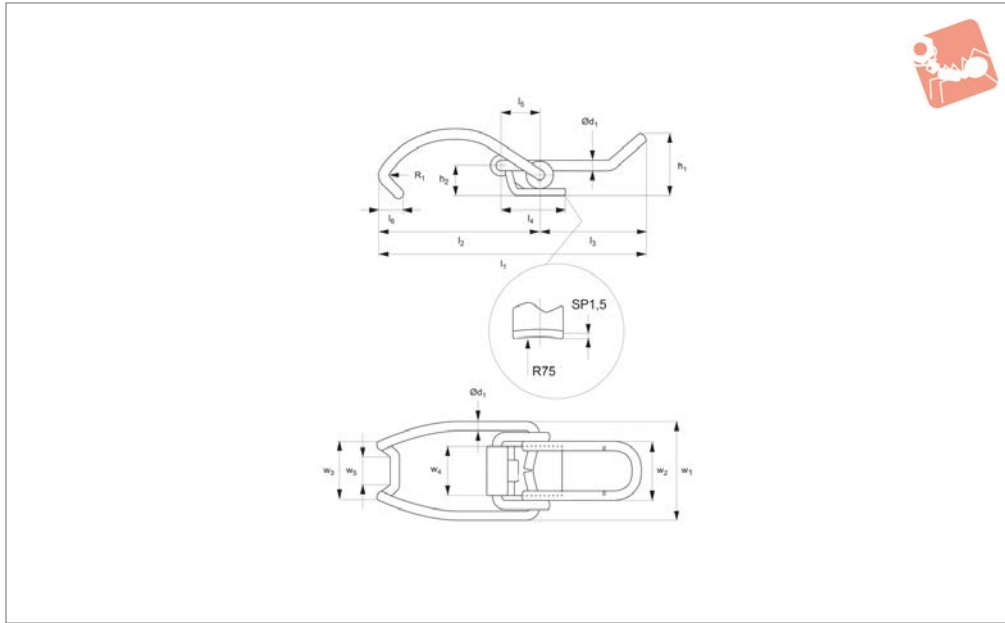
Steel, Fe P02 + P12, UNI5866, zinc plated.
Or stainless steel AISI 304, UNI x5crNi.

Technical Notes

Supplied with counter strike.

Order No.	Finish	l_1	w_1	h	$\varnothing d_1$	$\varnothing d_2$	l_2	$l_{10} +0.5$	l_{11}	l_{12}	Weight g
J0550.AC0004	Zinc Plated Steel	114	28	17	4.1	3	72	40.5	15	5	50
J0550.AC0030	Stainless Steel	114	28	17	4.1	3	72	40.5	15	5	50

Order No.	l_3	l_4	l_5	l_6	l_7	l_8	$l_9 \pm 0.5$	w_2	w_3	Load N max.	Tension N max.
J0550.AC0004	31	41	36	7	15.5	18.5	15.5	19	12	1000	2500
J0550.AC0030	31	41	36	7	15.5	18.5	15.5	19	12	1000	2500



J0554

DRAW LATCHES

Material

Steel, Fe P02 + P12, UNI5866, zinc plated.

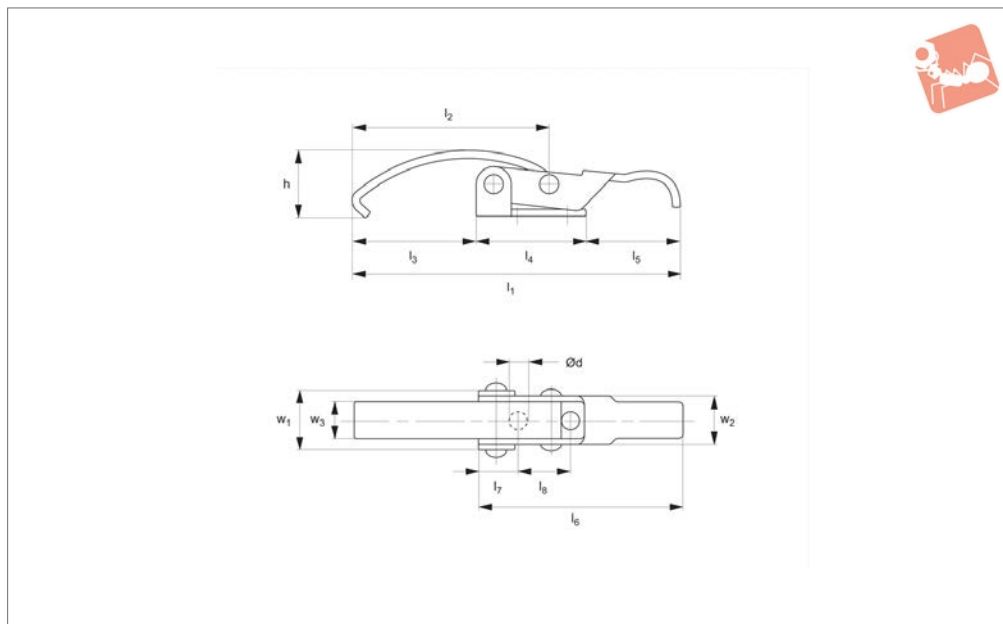
Technical Notes

Counter strike not supplied.

Order No.	Finish	l_1	h_1	w_1 0 -1	$\varnothing d_1$	l_2	h_2	l_3	Weight g
J0554.AC0004	Zinc Plated Steel	81	18	30	2.5	49	9	32	18
Order No.	l_4	l_5 ± 0.1	l_6	w_2	w_3	w_4	w_5	Load N max.	Tension N max.
J0554.AC0004	20	12	7	18	17	15	8.8	300	600



J0556



Material

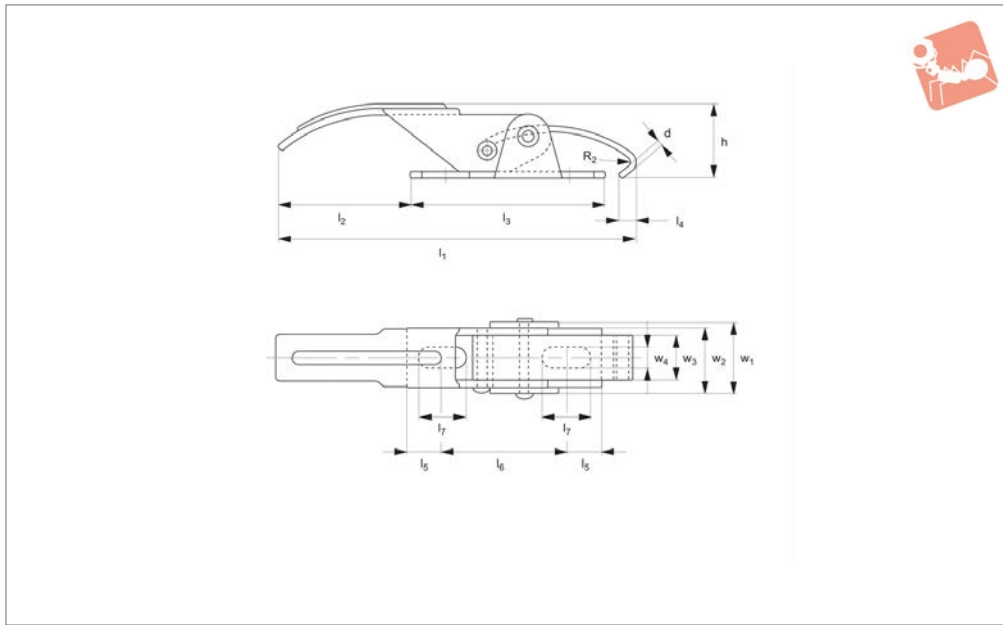
Steel, Fe P02 + P12, UNI5866, zinc plated.
Or stainless steel AISI304, UNI x5crNi.

Technical Notes

Counter strike not supplied.

Order No.	Finish	l_1	w_1	h	$\varnothing d$	l_2	l_3	l_4	Weight g
J0556.AC0004	Zinc Plated Steel	90	17	17	5	54	34	30	30
J0556.AC0030	Stainless Steel	90	17	17	5	54	34	30	30

Order No.	l_5	l_6	l_7	l_8	w_2	w_3	Load N max.	Tension N max.
J0556.AC0004	26	56	11	14	13.5	10	500	900
J0556.AC0030	26	56	11	14	13.5	10	500	900



J0558

DRAW LATCHES

Material

Steel, Fe P02 + P12, UNI5866, zinc plated.

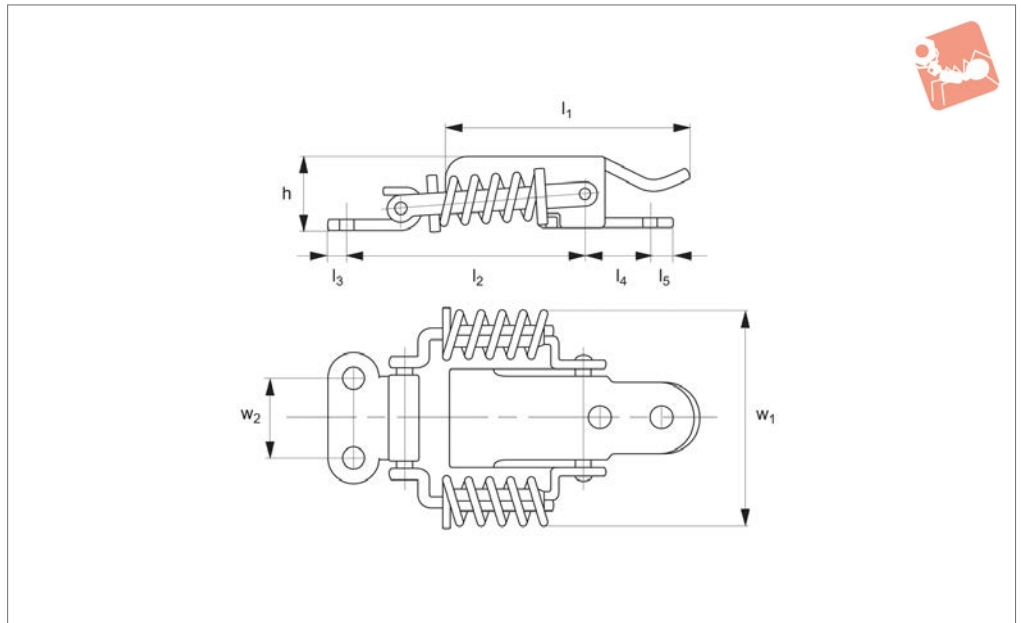
Technical Notes

Counter strike not supplied.

Order No.	Finish	l_1	w_1	h	d	l_2	l_3	l_4	Weight g
J0558.AC0004	Zinc Plated Steel	128.5	26	27	1.5	47.5	70	6.5	100
Order No.	l_5	l_6	l_7	w_2	w_3	w_4	Load N max.	Tension N max.	
J0558.AC0004	12.5	45	17	22	16	7	750	1500	



J0620



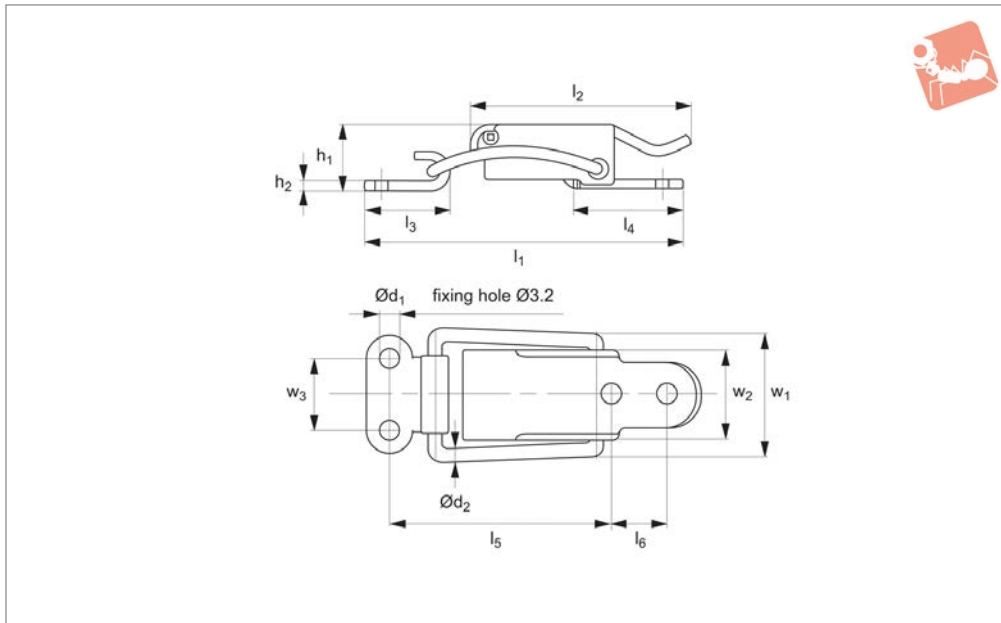
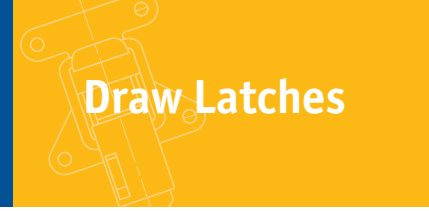
Material

Steel, Fe P02 + P12, UNI5866, zinc plated.
Or stainless steel AISI304, UNI x5crNi.

Technical Notes

Supplied with counter strike.

Order No.	Finish	l_1	w_1	h	$\varnothing d_1$	l_2	l_3	l_4	l_5	w_2	w_3	Load N max.	Tension N max.	Weight g
J0620.AC0008	Zinc Plated	60 to 63	37	12.5	3.2	38 to 41	4	10	5.5	14	15	500	1500	35
J0620.AC0030	Stainless Steel	60 to 63	37	12.5	3.2	38 to 41	4	10	5.5	14	15	500	1500	35



J0640

DRAW LATCHES

Material

Steel, Fe P02 + P12, UNI5866, zinc plated.
Or stainless steel AISI 304, UNI x5crNi.

Technical Notes

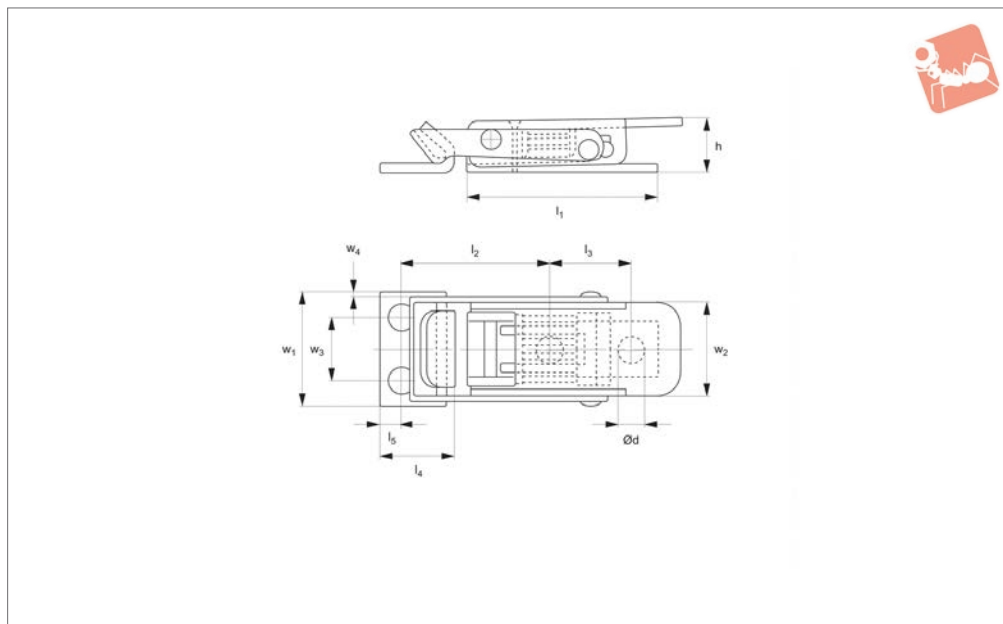
Supplied with counter strike.

Order No.	Finish	l_1	h_1	w_1	$\varnothing d_1$	$\varnothing d_2$	l_2	h_2	Weight g
J0640.AC0008	Zinc Plated	55	12	23	3.2	2	40	1.5	20
J0640.AC0030	Stainless Steel	55	12	23	3.2	2	40	1.5	20

Order No.	l_3	l_4	l_5 ± 0.3	l_6	w_2	w_3	Load N max.	Tension N max.
J0640.AC0008	15	21	35	10	15	14	550	1000
J0640.AC0030	15	21	35	10	15	14	550	1000



J0642



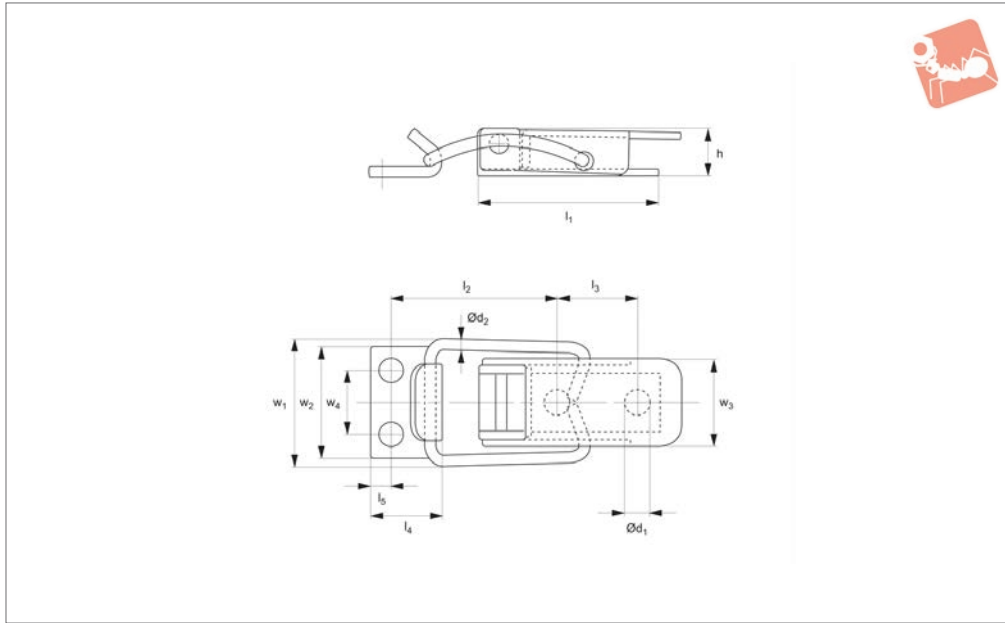
Material

Steel, Fe P02 + P12, UNI5866, zinc plated.

Technical Notes

Supplied with counter strike.

Order No.	Finish	l_1	w_1	h	$\varnothing d$	l_2 ± 0.3	Weight g	
J0642.AC0008	Zinc plated	23	14	6.5	3.2	18	15	
Order No.	l_3	l_4	l_5	w_2	w_3	w_4	Load N max.	Tension N max.
J0642.AC0008	10	9	2.5	11.2	8	0.6	150	300



J0644

DRAW LATCHES

Material

Steel, Fe P02 + P12, UNI5866, zinc plated.

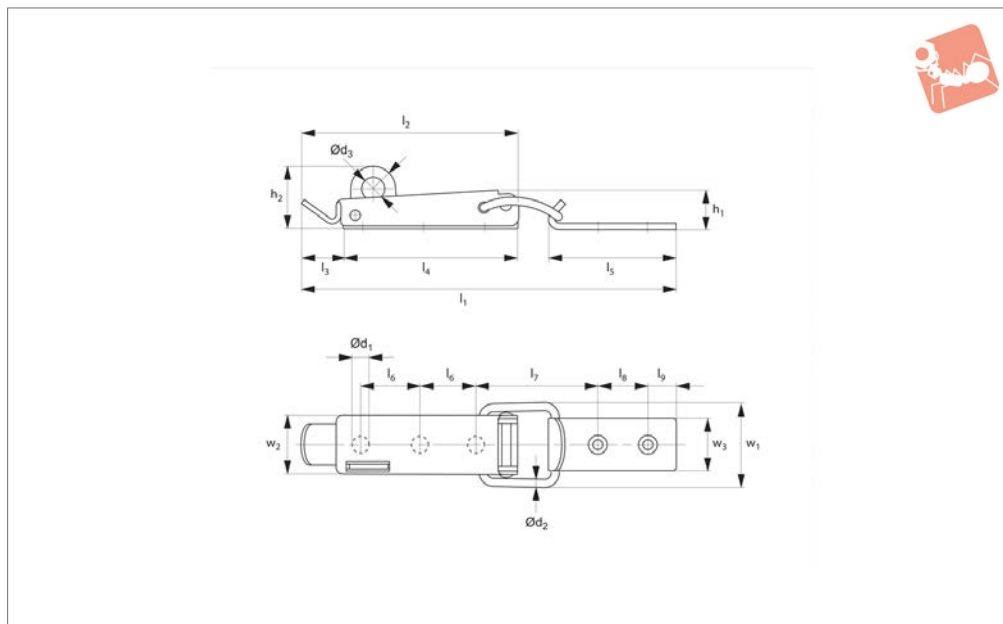
Technical Notes

Supplied with counter strike.

Order No.	Finish	l_1	w_1	h	$\varnothing d_1$	$\varnothing d_2$	l_2 ± 0.3	Weight g
J0644.AC0008	Zinc Plated	23	16	6	3.2	1.4	21.5	15
Order No.	l_3	l_4	l_5	w_2	w_3	w_4	Load N max.	Tension N max.
J0644.AC0008	10	9	2.5	14	11.2	8	150	300



J0420



Material

Steel, Fe P02 + P12, UNI5866, Zinc plated.
Or stainless steel AISI 304, UNI x5crNi.

Technical Notes

Supplied with counter strike.

Order No.	Finish	l_1	h_1 ± 0.5	w_1 ± 0.5	$\varnothing d_1$	$\varnothing d_2$	$\varnothing d_3$	h_2	h_3	l_2	Weight g
J0420.AC0004	Zinc Plated Steel	193.5	19	43	5.3	4	11	30.5	20.5	112	190
J0420.AC0030	Stainless Steel	193.5	19	43	5.3	4	11	30.5	20.5	112	190

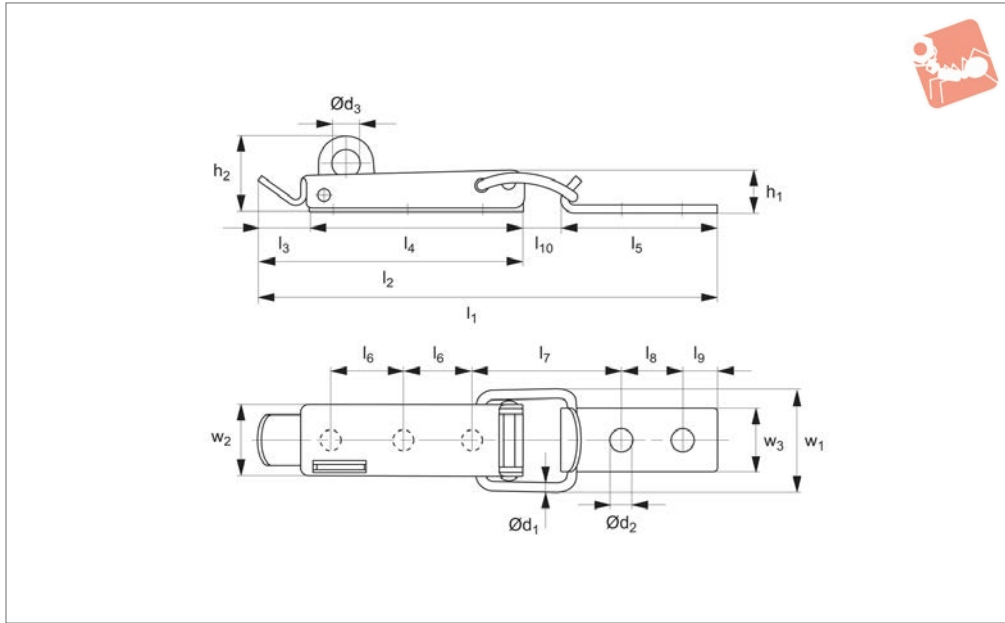
Order No.	l_3	l_4 ± 0.5	l_5	l_6	l_7 ± 0.5	l_8	l_9	l_{10} ± 0.5	w_2 ± 0.5	w_3	l_{11}	Load N max.	Tension N max.
J0420.AC0004	21.5	90	66	31.5	58.5	25.5	15	23.5	30	27	82.5	2000	4000
J0420.AC0030	21.5	90	66	31.5	58.5	25.5	15	23.5	30	27	82.5	2000	4000



Toggle Latches

with padlock shackle, **stainless steel**

Draw Latches



J0430

DRAW LATCHES

Material

Steel, Fe P02 + P12, UNI5866, zinc plated.
Or stainless steel AISI 304, UNI x5crNi.

Technical Notes

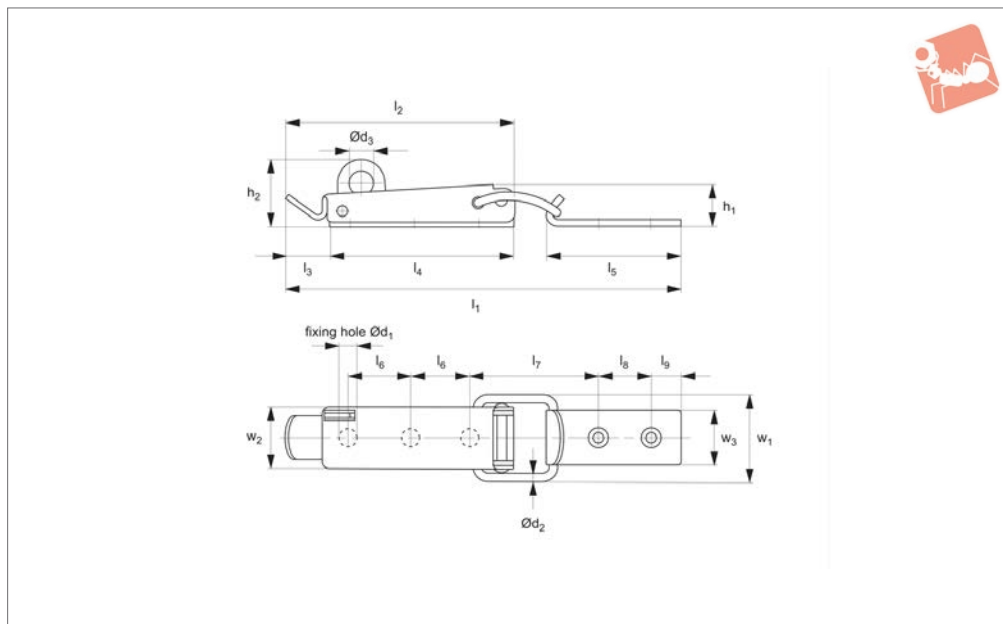
Supplied with counter strike. Use a padlock of 7mm dia. or less.

Order No.	Finish	l_1	h_1	w_1	$\varnothing d_1$	$\varnothing d_2$	$\varnothing d_3$	h_2	l_2	l_3	Weight g
J0430.AC0004	Zinc Plated Steel	140.5	12.5	34	3	4.1	7	20	86	16	80
J0430.AC0030	Stainless Steel	140.5	12.5	34	3	4.1	7	20	86	16	80

Order No.	l_4	l_5	l_6	$l_7 \pm 0.5$	l_8	l_9	l_{10}	w_2	w_3	Load N max.	Tension N max.
J0430.AC0004	70	43	22.5	38	20	8	11.5	23	19	1500	3000
J0430.AC0030	70	43	22.5	38	20	8	11.5	23	19	1500	3000



J0460



Material

Steel, Fe P02 + P12, UNI5866, zinc plated.
Or stainless steel AISI 304, UNI x5crNi.

Technical Notes

Supplied with counter strike.

Order No.	Finish	l_1	h_1	w_1	$\varnothing d_1$	$\varnothing d_2$	$\varnothing d_3$	h_2	l_2	l_3	Weight g
J0460.AC0004	Zinc Plated Steel	102	11	23	3.2	2	4	15.5	60	16	30
J0460.AC0030	Stainless Steel	102	11	23	3.2	2	4	15.5	60	16	30

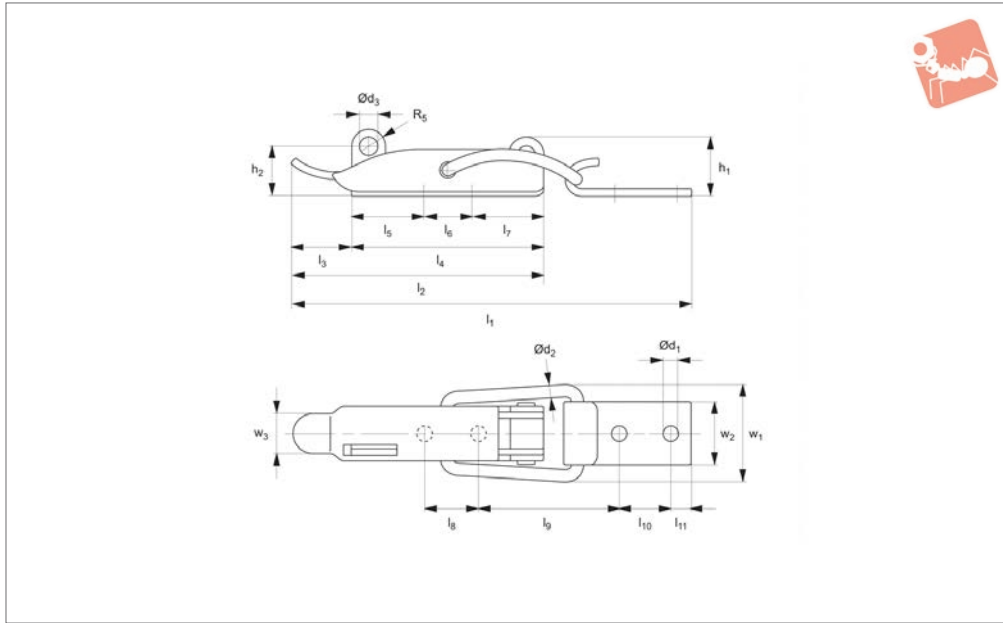
Order No.	l_4	l_5	l_6	l_7 ± 0.5	l_8	l_9	w_2	w_3	Load N max.	Tension N max.
J0460.AC0004	44	30	12.5	34.5	12	5	16.4	13	550	1300
J0460.AC0030	44	30	12.5	34.5	12	5	16.4	13	350	1000



Toggle Latches

with padlock shackle, **stainless steel**

Draw Latches



J0552

DRAW LATCHES

Material

Steel, Fe P02 + P12, UNI5866, zinc plated.
Or stainless steel AISI304, UNI x5crNi.

Technical Notes

Supplied with counter strike. Use a padlock of 5,5mm dia. or less.

Order No.	Finish	l_1	h_1	w_1	$\varnothing d_1$	$\varnothing d_2$	$\varnothing d_3$	h_2	l_2	l_3	l_4	Weight g
J0552.AC0004	Zinc Plated Steel	114	17	28	4.1	3	5.5	14	72	17	55	55
J0552.AC0030	Stainless Steel	114	17	28	4.1	3	5.5	14	72	17	55	55

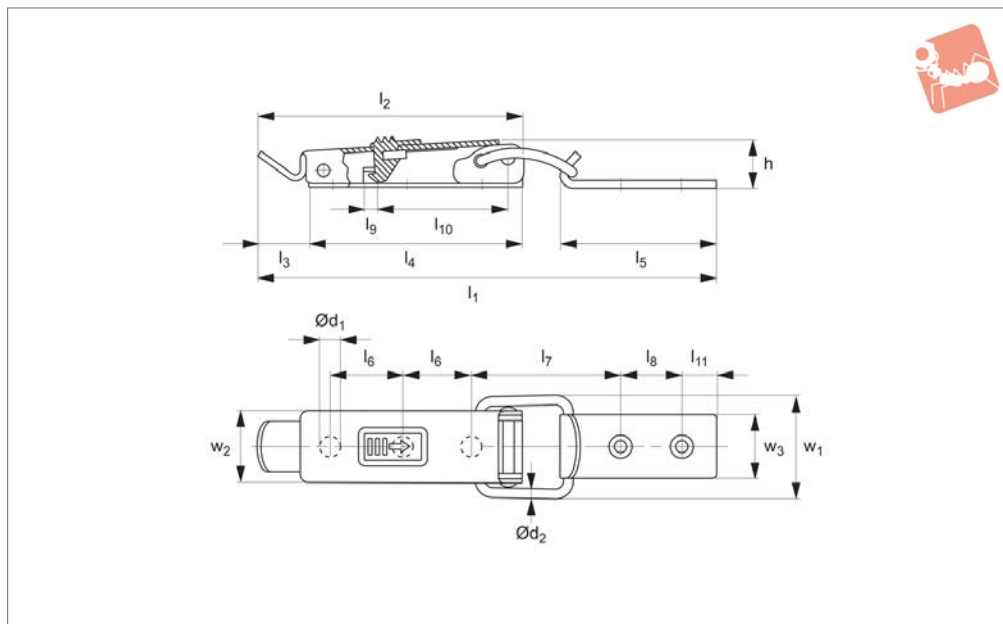
Order No.	l_5	l_6	l_7	l_8	$l_9 \pm 0.5$	l_{10}	w_2	w_3	l_{11}	Load N max.	Tension N max.
J0552.AC0004	21	15.5	18.7	15.5	40.5	15	19	12	5	1000	2500
J0552.AC0030	21	15.5	18.7	15.5	40.5	15	19	12	5	1000	2500



DRAW LATCHES



J0422



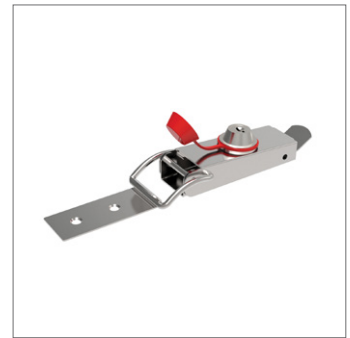
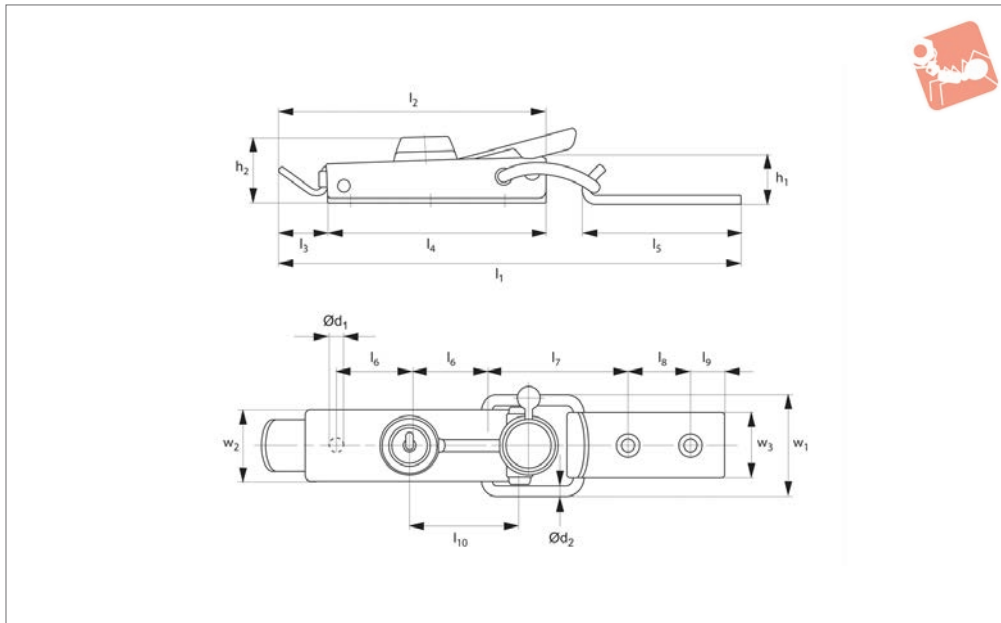
Material

Stainless steel AISI 304, UNI x5crNi.

Technical Notes

Supplied with counter strike.

Order No.	Finish	l_1	h ± 0.5	w_1 ± 0.5	$\varnothing d_1$	$\varnothing d_2$	l_2	l_3	l_4 ± 0.5	l_5	Weight g
J0422.AC0030	Stainless Steel	193.5	19	43	5.3	4	112	21.5	90	66	190
Order No.	l_6	l_7 ± 0.5	l_8	l_9	l_{10}	w_2 ± 0.5	l_{11} l_1	w_3	Load N max.	Tension N max.	
J0422.AC0030	31.5	58.5	25.5	4	55	30	15	27	2000	4000	



J0424

DRAW LATCHES

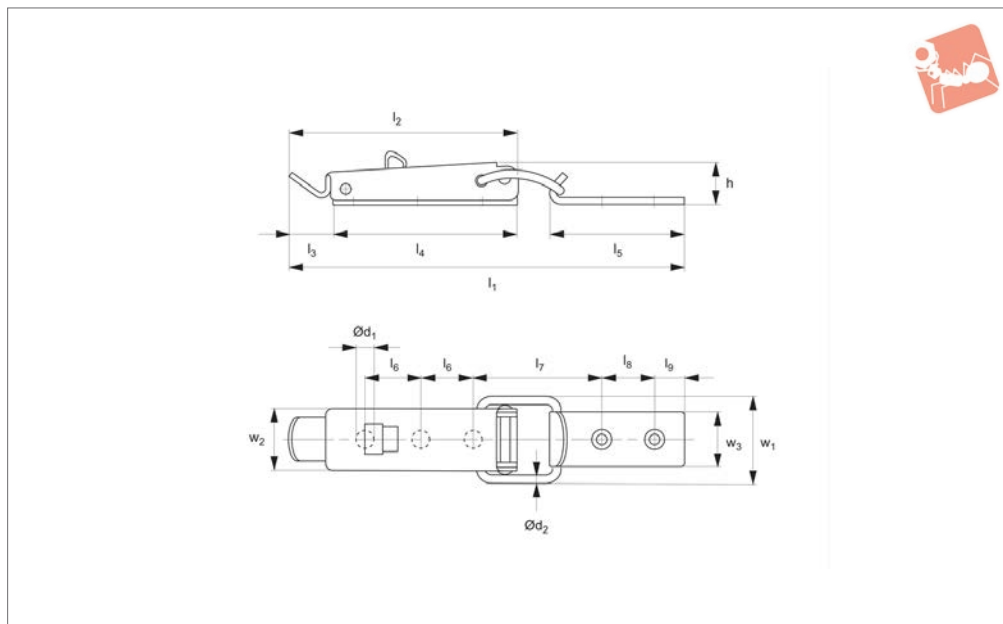
Material

Draw hook and pin in stainless steel, body steel.

Order No.	Finish	l_1	h_1 ± 0.5	w_1 ± 0.5	$\varnothing d_1$	$\varnothing d_2$	l_2	h_2 ± 0.5	l_3	l_4 ± 0.5	Weight g
J0424.AC0030	Delta Zinc Plated	193.5	19	43	5.3	4	112	27.5	21.5	90	190
Order No.	l_5	l_6	l_7 ± 0.5	l_8	l_9	l_{10} ± 0.5	w_2 ± 0.5	w_3	Load N max.	Tension N max.	
J0424.AC0030	66	31.5	58.5	25.5	15	44	30	27	2000	4000	



J0462



Material

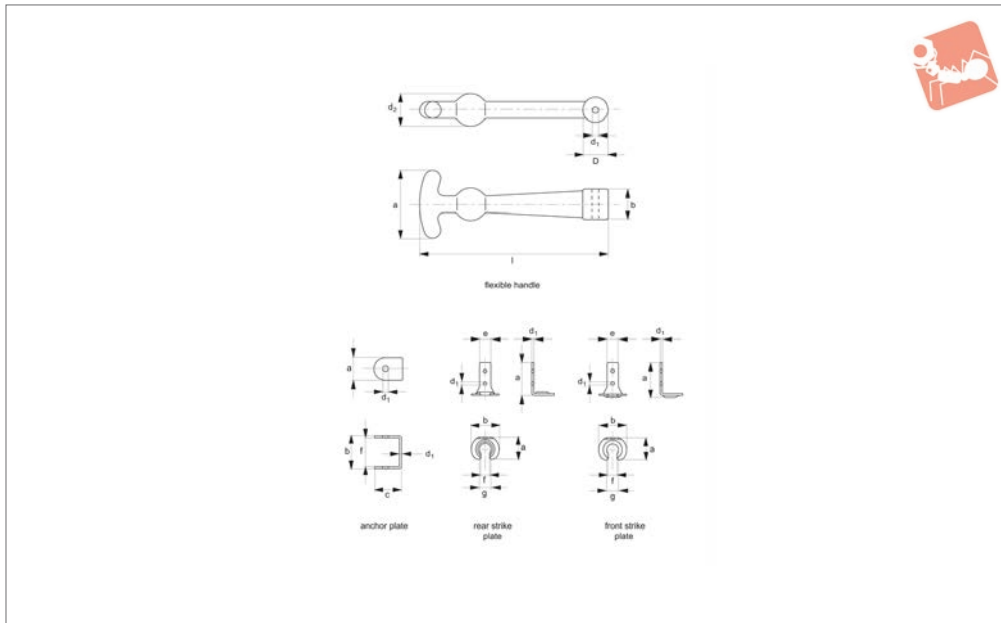
Steel, Fe P02 + P12, UNI5866, zinc plated.
Or stainless steel AISI 304, UNI x5crNi.

Technical Notes

Supplied with counter strike.

Order No.	Finish	l_1	h	w_1	$\varnothing d_1$	$\varnothing d_2$	l_2	l_3	l_4	Weight g
J0462.AC0004	Zinc Plated Steel	102	11	23	3.2	2	60	16	44	30
J0462.AC0030	Stainless Steel	102	11	23	3.2	2	60	16	44	30

Order No.	l_5	l_6	l_7 ± 0.5	l_8	l_9	w_2	w_3	Load N max.	Tension N max.
J0462.AC0004	30	12.5	34.5	12	5	16.4	13	550	1300
J0462.AC0030	30	12.5	34.5	12	5	16.4	13	350	1000



J0710

DRAW LATCHES

Material

Handle: black rubber, 65/70 shore hardness.

Anchor Plate and Strike Plate: steel, zinc plated.

Supplied with cotter pin for assembly.

Technical Notes

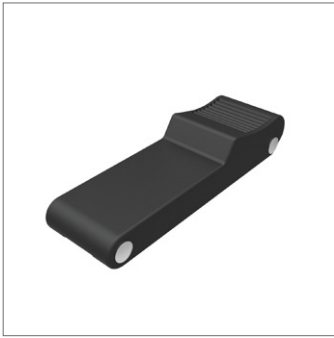
Flexible handle J0710.AC0148 supplied

with split cotter pin 3.2 dia x 55 long for mounting onto anchor plate.

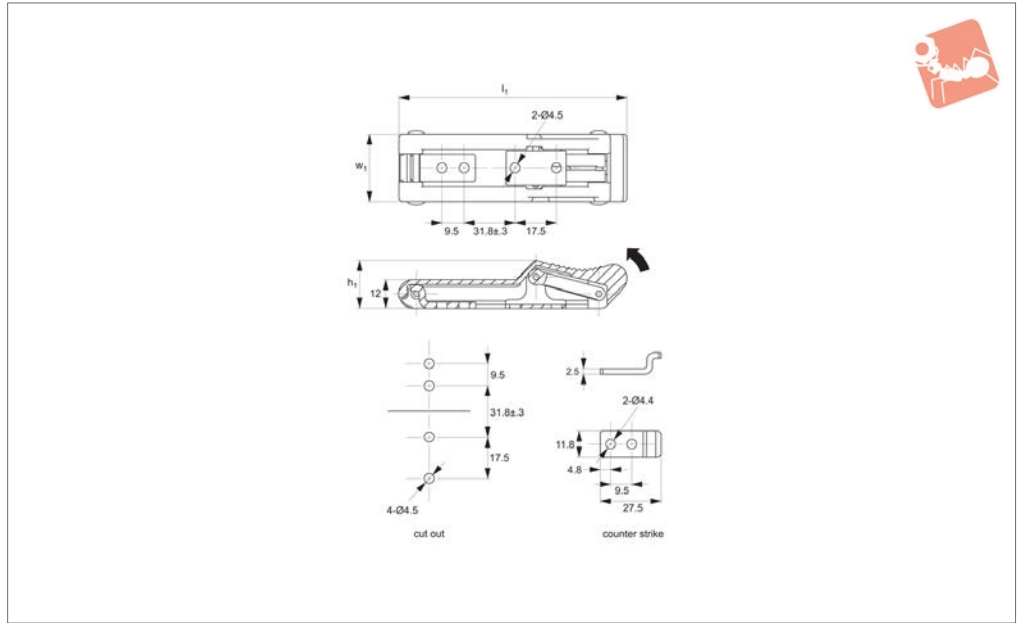
Important Notes

Please order anchor plate and strike plate separately, to best suit your application. Front strike plate is mounted underneath the flexible handle. Rear strike plate is mounted away from the flexible handle.

Order No.	Type	l	a	b	Ø d ₁	Ø d ₂	Ø d ₃	c	e	f	g
J0710.AC0148	Flexible Handle	148	53	24	20	26	4	-	-	-	-
J0710.AC0010	Anchor Plate	-	20	30	2	-	5	25	-	26	-
J0710.AC0020	Rear Strike Plate	-	32	40	2	-	4	50	16	15	18
J0710.AC0022	Front Strike Plate	-	32	38	2	-	4	44	16	15	18



J0712



Material

Handle: rubber, black.
Counter strike and bracket: stainless steel.

Not supplied: fixing screws.

catch. Pull back and down to lock.

Tips

Flexible rubber allows latch to stretch over

Order No.
J0712.AW0010

l_1
96.5

w_1
29

h_1
20