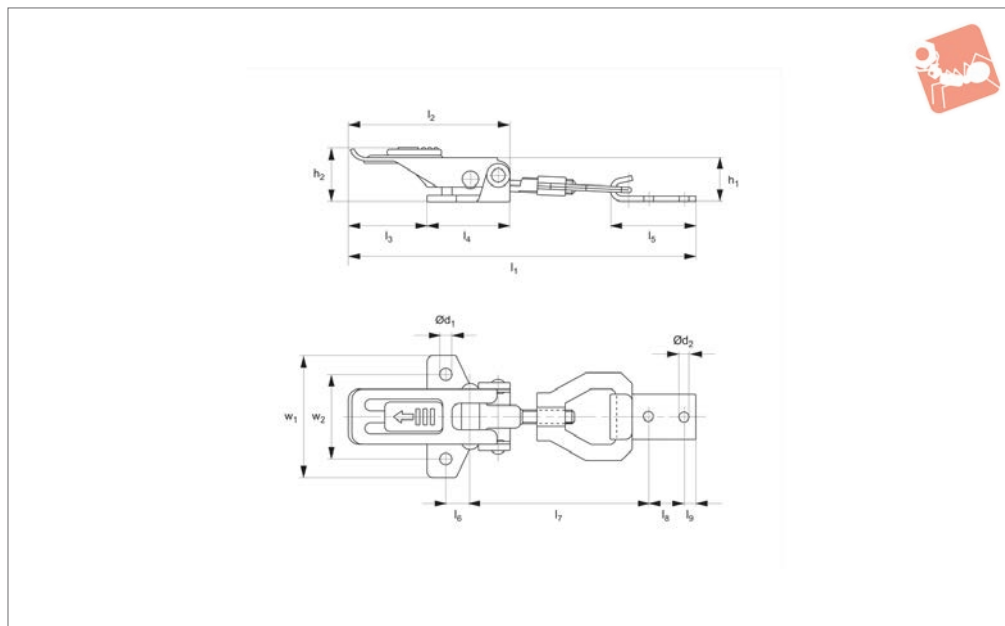
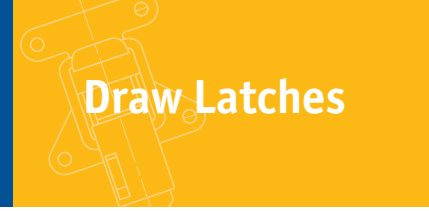




# Toggle Latches

adjustable with secondary lock, **stainless steel**

# Draw Latches



## J0540

DRAW LATCHES

### Material

Steel, Fe P02 + P12, UNI5866, zinc plated.  
Or stainless steel AISI 304, UNI x5crNi.

### Technical Notes

Supplied with counter strike.  
Draw length adjustable through turns of

threaded draw rod, giving 12mm length of adjustment.

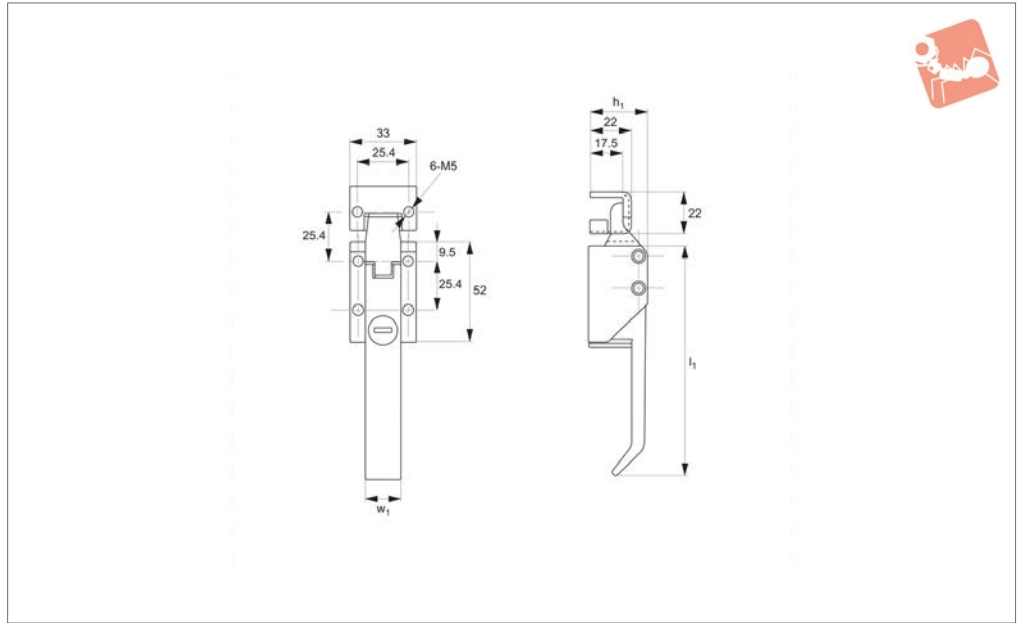
| Order No.    | Finish              | $l_1$      | $w_1$ | $h_1$ | $\varnothing d_1$ | $\varnothing d_2$ | $h_2$ | $l_2$ | $l_3$ | Weight g |
|--------------|---------------------|------------|-------|-------|-------------------|-------------------|-------|-------|-------|----------|
| J0540.AC0001 | Nickel plated steel | 138 to 150 | 52    | 18    | 5.2               | 4.1               | 22    | 67.5  | 33    | 105      |
| J0540.AC0030 | Stainless steel     | 138 to 150 | 52    | 18    | 5.2               | 4.1               | 22    | 67.5  | 33    | 105      |

| Order No.    | $l_4$ | $l_5$ | $l_6$ | $l_7$    | $l_8$ | $l_9$ | $w_2$ | $w_3$ | Load N max. | Tension N max. |
|--------------|-------|-------|-------|----------|-------|-------|-------|-------|-------------|----------------|
| J0540.AC0001 | 35    | 36    | 10    | 68 to 80 | 15    | 5     | 36    | 19    | 1100        | 2500           |
| J0540.AC0030 | 35    | 36    | 10    | 68 to 80 | 15    | 5     | 36    | 19    | 1100        | 2500           |



**J0660**



**Material**

Housing, Handle and Strike: die cast zinc, black powder coated.

Pins: stainless steel.

**Supplied with:** Keys and counter strike.

**Not supplied:** Fixing screws.

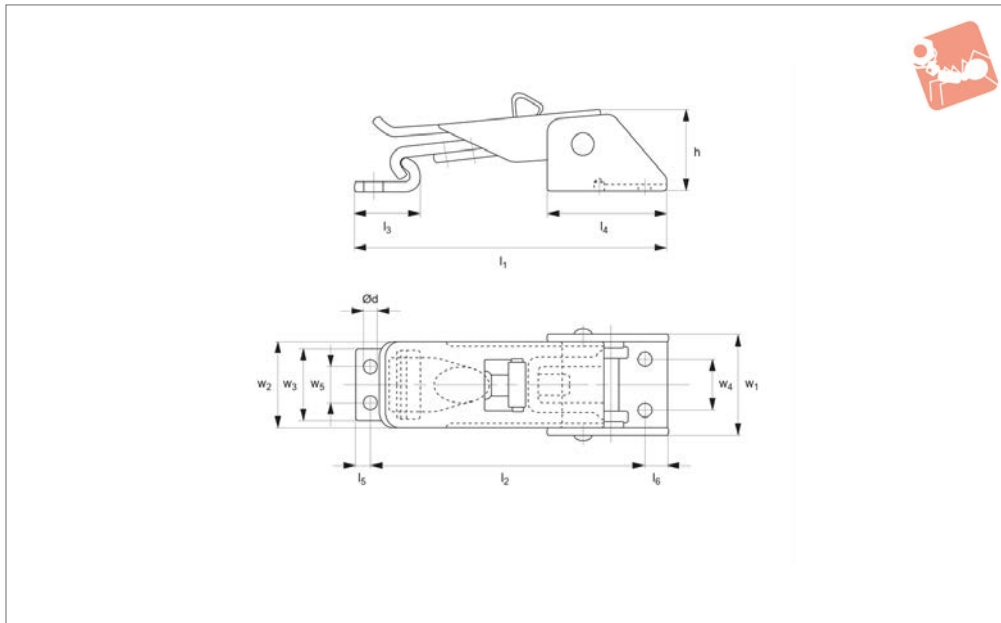
| Order No.    | Type             | $l_1$ | w  | $h_1$ |
|--------------|------------------|-------|----|-------|
| J0660.AW0010 | With Lock        | 127   | 18 | 31.5  |
| J0660.AW0020 | Blank - W/o Lock | 127   | 18 | 31.5  |



# Toggle Latches

adjustable with secondary lock

# Draw Latches



**J0582**

DRAW LATCHES

**Material**

Steel, Fe P02 + P12, UNI5866, zinc plated.

Draw length adjustable through turns of threaded draw rod, giving 12mm length of adjustment.

**Technical Notes**

Supplied with counter strike.

| Order No.    | Finish            | $l_1$ | $h$   | $w_1$ | $\varnothing d$ | $l_2$    | $l_3$             | $l_4$                | Weight<br>g |
|--------------|-------------------|-------|-------|-------|-----------------|----------|-------------------|----------------------|-------------|
| J0582.AC0004 | Zinc Plated Steel | 82-94 | 22    | 27    | 3.6             | 72 to 84 | 17.5              | 33                   | 90          |
| Order No.    | $l_5$             | $l_6$ | $w_2$ | $w_3$ | $w_4$           | $w_5$    | Load<br>N<br>max. | Tension<br>N<br>max. |             |
| J0582.AC0004 | 4                 | 6     | 24    | 19    | 14              | 10       | 1000              | 2000                 |             |