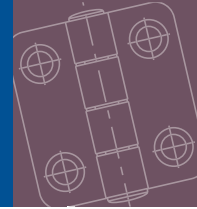


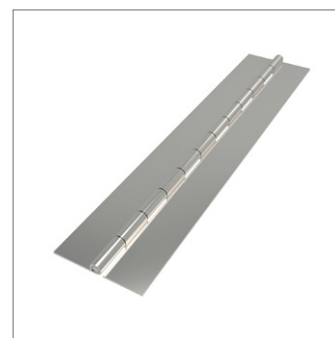
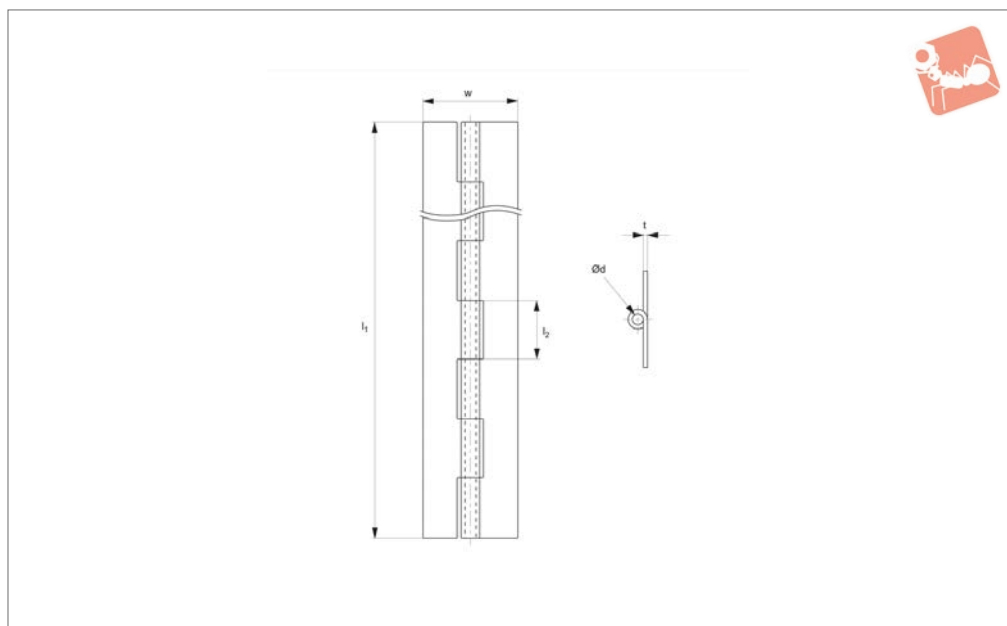


Surface Mount - Piano Hinges

weld-on - stainless steel



Hinges



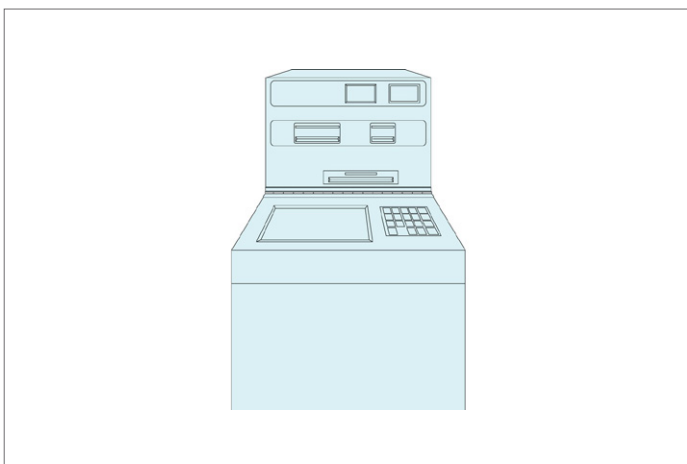
S0050

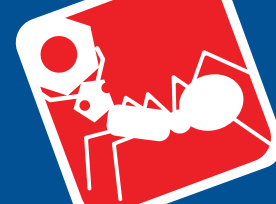
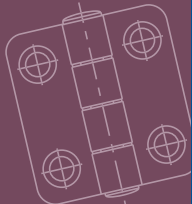
HINGES

Material

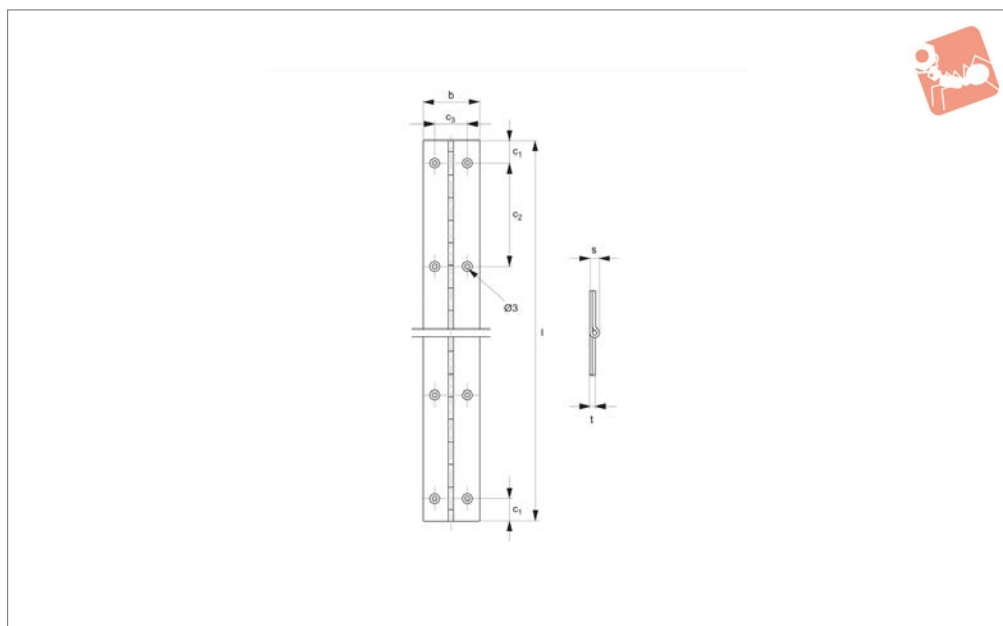
Stainless steel, AISI 304, satin finish.

Order No.	l_1	l_2	t	w	d	Weight g
S0050.AC0202	300	12.5	0.8	25	2.6	66
S0050.AC0206	1000	12.5	0.8	25	2.6	222
S0050.AC0302	300	12.5	0.8	32	2.6	80
S0050.AC0306	1000	12.5	0.8	32	2.6	272
S0050.AC0326	600	20.0	1.5	32	3.5	330
S0050.AC0330	1000	20.0	1.5	32	3.5	574
S0050.AC0382	1000	20.0	1.5	38	3.5	615
S0050.AC0502	1000	20.0	1.5	50	3.5	759
S0050.AC0552	1000	50.0	2.0	50	5.0	774





S0100



Material

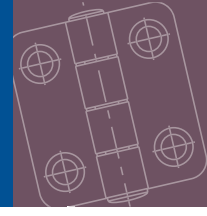
Stainless steel, AISI 304, satin finish.

Order No.	b	c ₁	c ₂	c ₃	l	s	t	Holes	Weight g
S0100.AC0324	30	10.5	43.5	17	240	3.5	1.2	12	65
S0100.AC0330	30	10.5	46.3	17	300	3.5	1.2	14	80
S0100.AC0336	30	15.0	47.0	17	360	3.5	1.2	16	95
S0100.AC0345	30	14.5	60.0	17	450	3.5	1.2	16	120
S0100.AC0360	30	14.0	63.3	17	600	3.5	1.2	20	190
S0100.AC0390	30	14.0	62.3	17	900	3.5	1.2	30	280

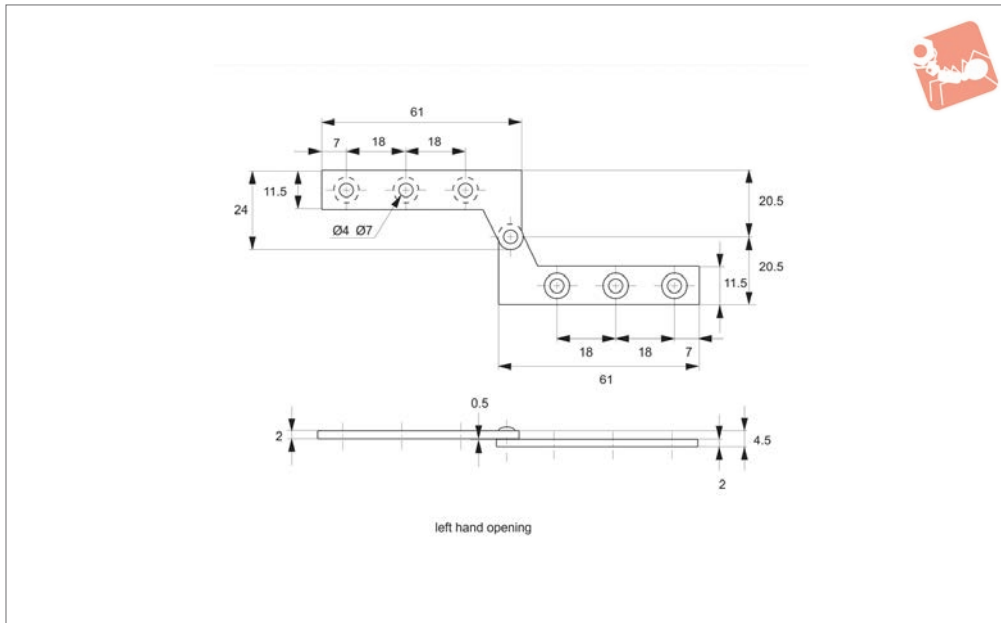


Surface Mount - Pivot Hinges

inset - stainless steel



Hinges



S0200

HINGES

Material

Stainless steel, AISI 430, satin finish.

Technical Notes

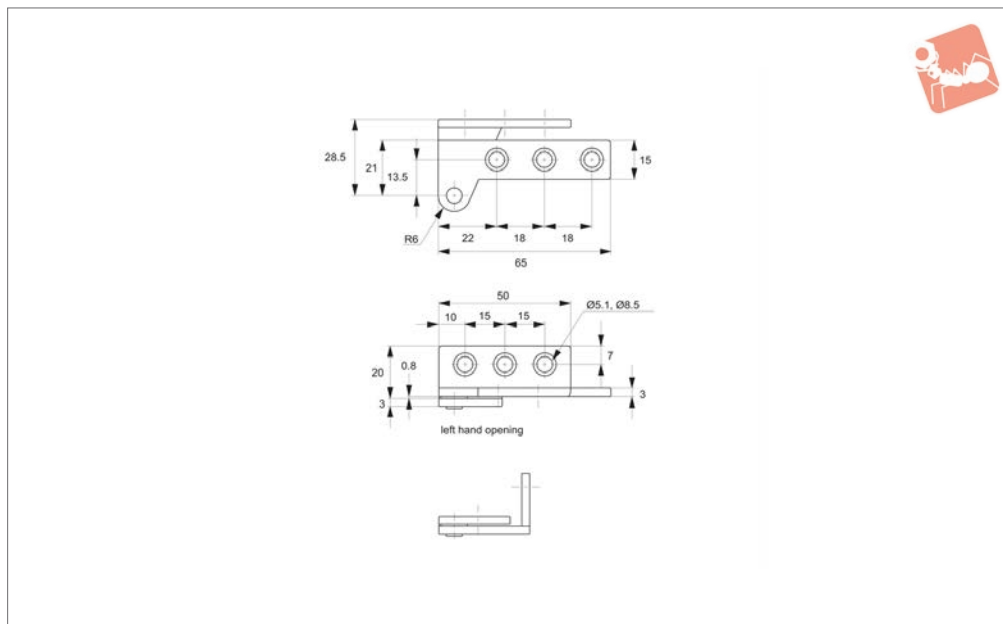
Max. door size: 450w x 700h x 21mm thick.

Max. door weight: 2,6Kg per hinge pair.

Order No.	Type	Weight g
S0200.AC0110	Left	22
S0200.AC0010	Right	22



S0220



Material

Stainless steel, AISI 430, satin finish.

Technical Notes

Max. door size: 450w x 700h x 21mm thick.

Max. door weight: 2,6Kg per hinge pair.

Order No.	Type	Weight g
S0220.AC0110	Left	55
S0220.AC0010	Right	55

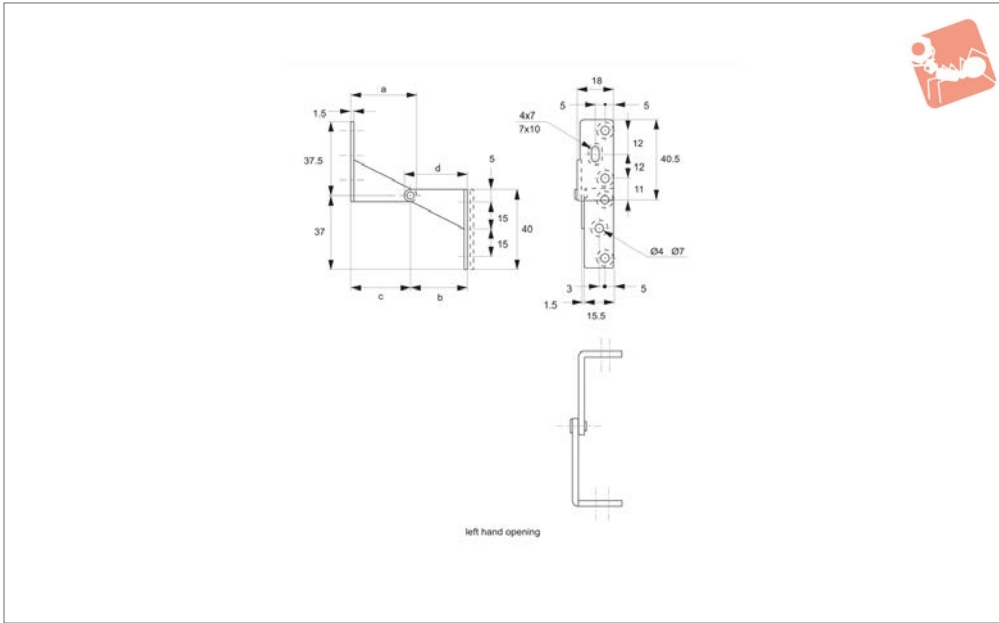


Surface Mount - Pivot Hinges

overlay - stainless steel



Hinges



S0240

HINGES

Material

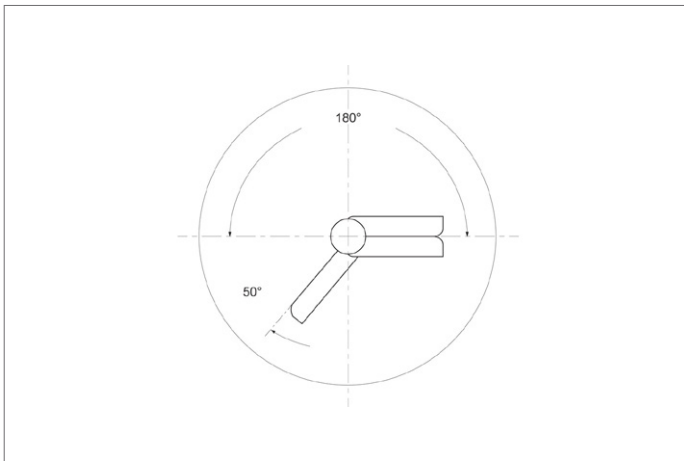
Stainless steel, AISI 430, satin finish.

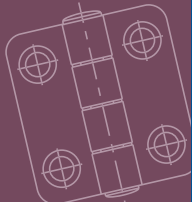
Technical Notes

Max. door size: 300w x 700h x 21mm thick.

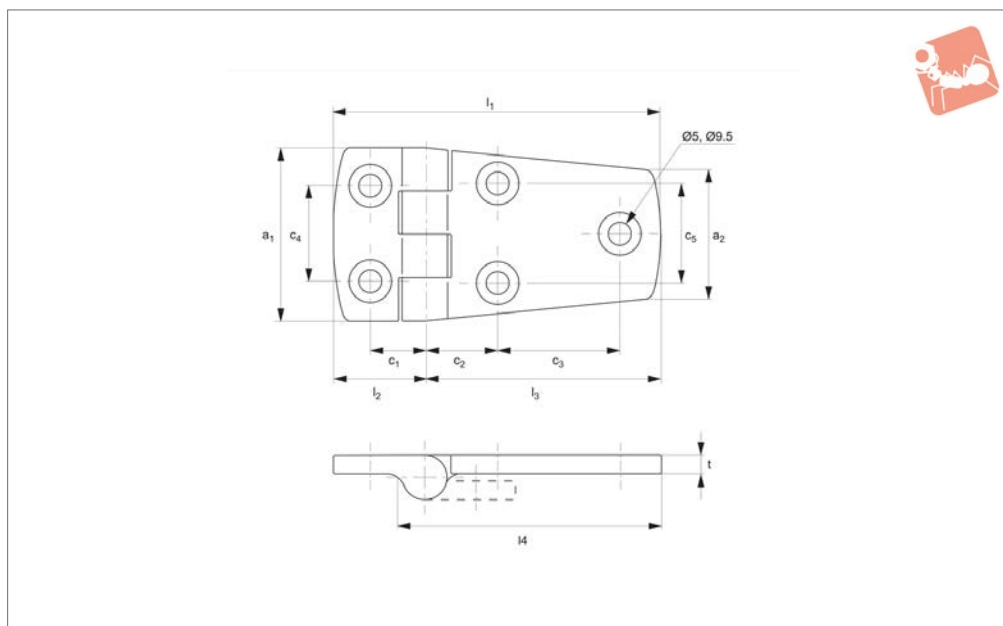
Max. door weight: 1,8Kg per hinge pair.

Order No.	Type	a	b	c	d	Weight g
S0240.AC0110	Left	34	28	30.5	31	23
S0240.AC0010	Right	34	28	30.5	31	23
S0240.AC0120	Left	28	22	24.5	25	21
S0240.AC0020	Right	28	22	24.5	25	21





S0460



Material

Stainless steel, AISI 316, satin finish.

Technical Notes

Max. door size: 450w x 700h x 21mm thick.

Max. door weight: 4,0Kg per hinge pair.

Order No.	a ₁	a ₂	c ₁	c ₂	c ₃	c ₄	c ₅	l ₁	l ₂	l ₃	l ₄	t	Weight g
S0460.AC0005	38	28	12	13.5	16.5	21	20	58	20	38	42	4	70
S0460.AC0007	38	28	12	16.0	27.0	22	21	72	20	52	57	4	85

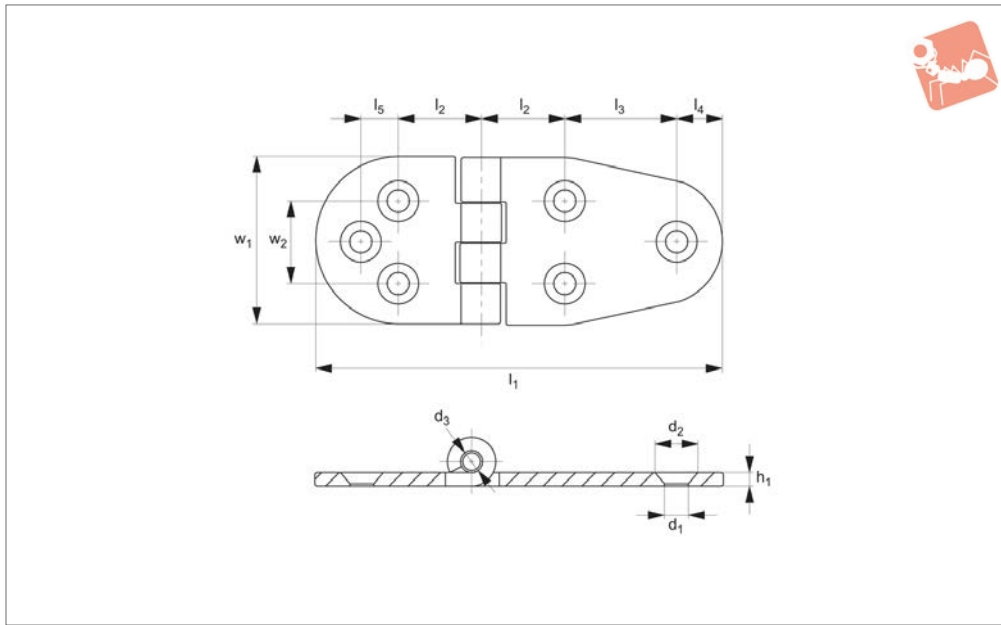


Surface Mount - Leaf Hinges

screw mount - stainless steel



Hinges



S0462

HINGES

Material

Hinge: stainless steel.

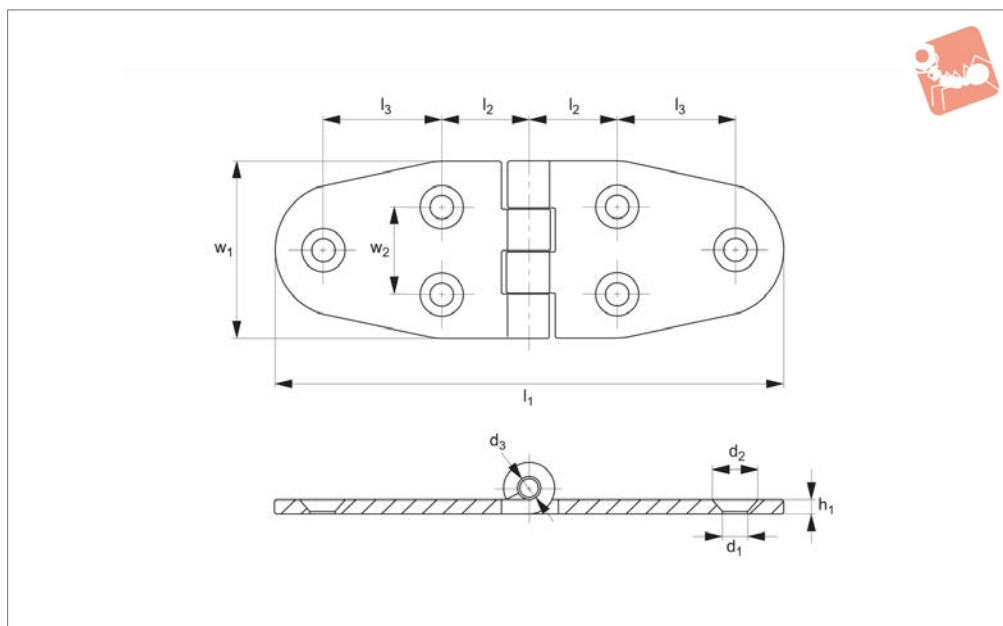
Technical Notes

Opening angle 180°.

Order No.	h_1	l_1	l_2	l_3	l_4	l_5	w_1	w_2	F_x N	F_y N	d_1	d_2	d_3
S0462.AW0040	2.5	99.5	20	27	12.7	9	40	20	520	600	5.6	10	5



S0464



Material

Hinge: stainless steel.

Technical Notes

Opening angle 180°.

Order No.	h_1	l_1	l_2	l_3	w_1	w_2	F_x N	F_y N	d_1	d_2	d_3
S0464.AW0040	2.5	119.5	20	27	40	20	520	600	5.6	10	5

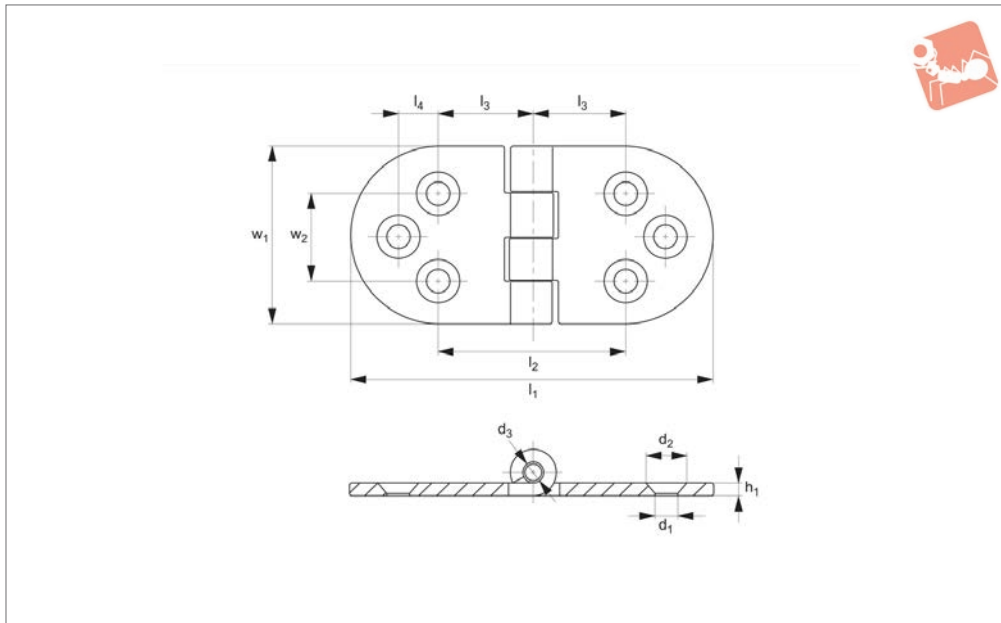


Surface Mount - Leaf Hinges

screw mount - stainless steel



Hinges



S0466

HINGES

Material

Hinge: stainless steel.

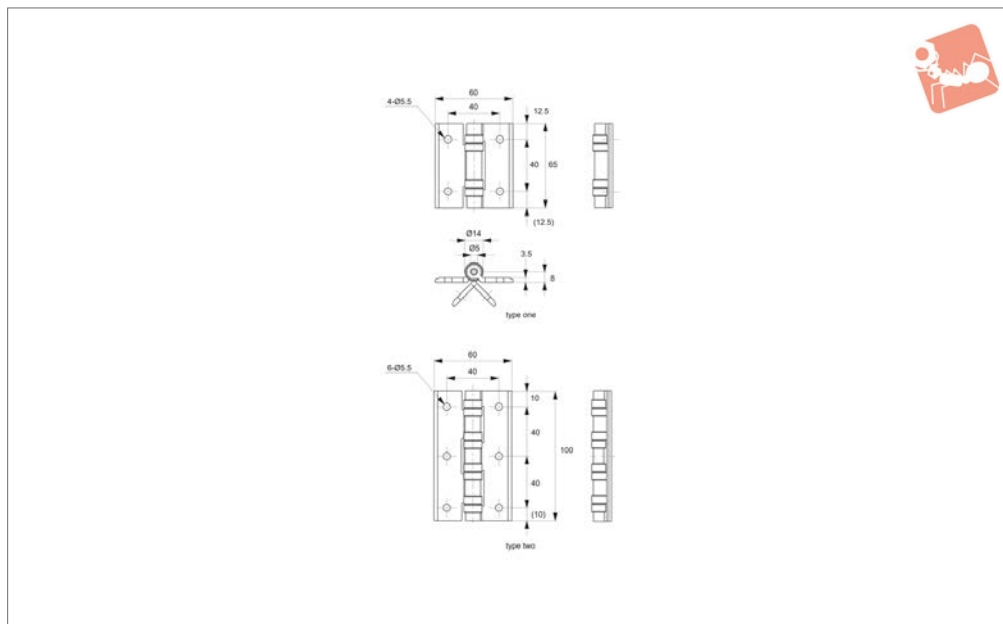
Technical Notes

Opening angle 180°.

Order No.	h_1	l_1	l_2	l_3	l_4	w_1	w_2	F_x N	F_y N	d_1	d_2	d_3
S0466.AW0040	2.5	79.5	58	20	9	40	20	520	600	5.6	10	5



S0600



Material

Body: aluminium.
Spacer: polyacetal.
Pin: stainless steel, AISI 304.

Technical Notes

Due to unique spacers, hinge generates no friction powder and is ideal for semiconductor rooms, clean rooms, medical and

food processing applications.

Order No.	Type	Load/pair kg max.	Weight g
S0600.AC0065	Type one	8	60
S0600.AC0100	Type two	13	100

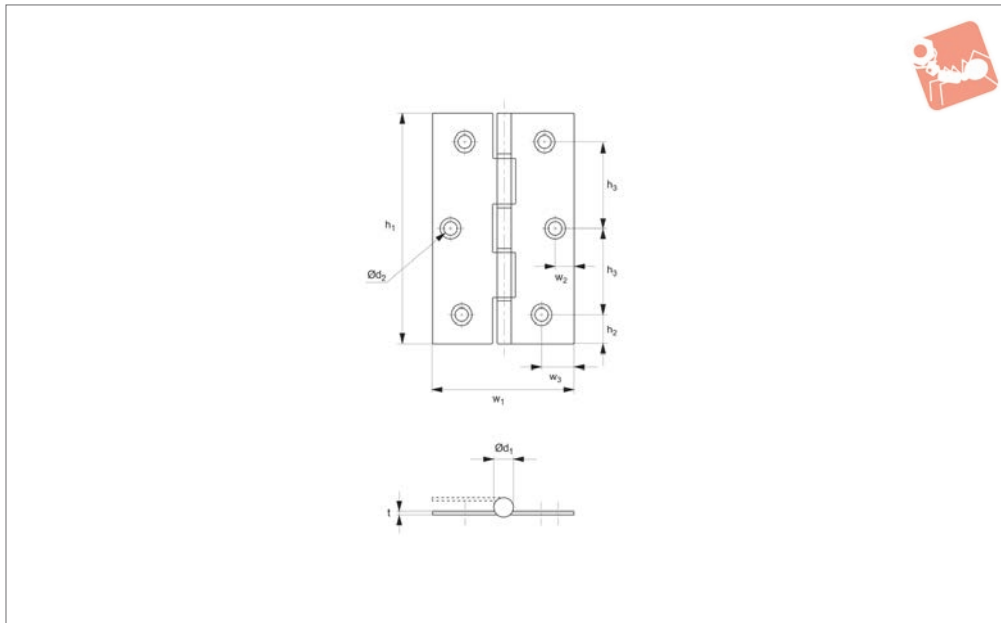


Surface Mount - Leaf hinges

with polyacetal bushing - screw mount - **stainless**



Hinges



S0700

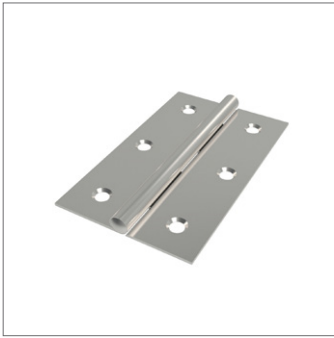
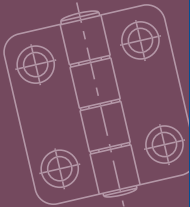
HINGES

Material

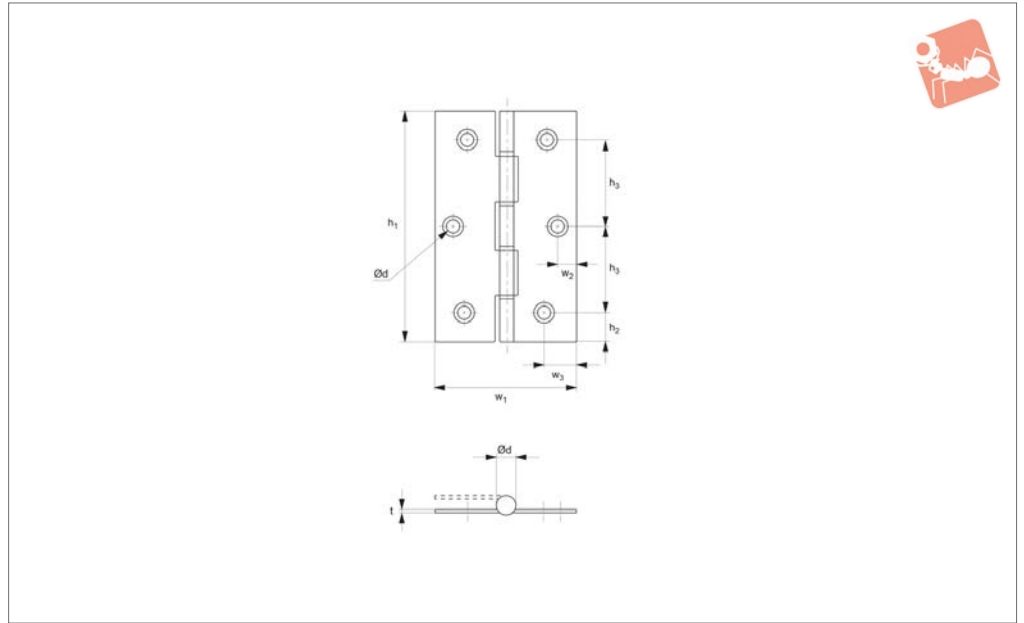
Body: stainless steel, AISI 304, polished finish.

Bushing: polyacetal.

Order No.	h_1	h_2	h_3	t	w_1	w_2	w_3	d_1	d_2	No. of knuckles	No. of mounting holes	Weight g
S0700.AC0005	51	7.5	36	1.3	39.0	-	7.0	6.2	4.2	3	4	27.4
S0700.AC0006	64	7.0	25	1.3	42.5	6.0	8.0	6.2	5.0	5	6	36.5
S0700.AC0007	76	9.0	29	1.5	50.0	7.0	9.0	7.4	5.2	5	6	59.5
S0700.AC0008	89	10.5	34	1.7	56.5	7.5	10.5	9.0	5.4	5	6	91.6
S0700.AC0010	102	9.0	28	1.8	70.0	9.0	14.0	9.5	6.0	5	8	132.5
S0700.AC0012	127	11.0	35	1.9	82.0	10.5	16.0	11.5	6.0	5	8	231.5



S0720



Material

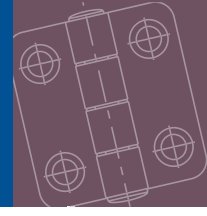
Stainless steel, AISI 304, polished finish.

Order No.	h ₁	h ₂	h ₃	t	w ₁	w ₂	w ₃	d ₁	d ₂	No. of knuckles	No. of mounting holes	Weight g
S0720.AC0005	51	7.5	36	0.8	34.5	-	6.5	4.8	4.4	5	4	15.2
S0720.AC0006	64	8.0	24	0.9	40.0	5.5	9.0	5.0	4.2	5	6	23.8
S0720.AC0007	76	10.0	28	1.0	46.0	7.5	10.0	6.0	4.5	5	6	37.8
S0720.AC0008	89	9.5	35	1.2	56.0	8.0	12.0	7.0	5.5	5	6	63.6
S0720.AC0010	102	10.5	27	1.4	66.5	9.0	12.0	8.0	5.5	5	8	96.4
S0720.AC0012	127	11.0	35	1.5	82.0	10.0	17.0	9.0	5.4	5	8	161.5

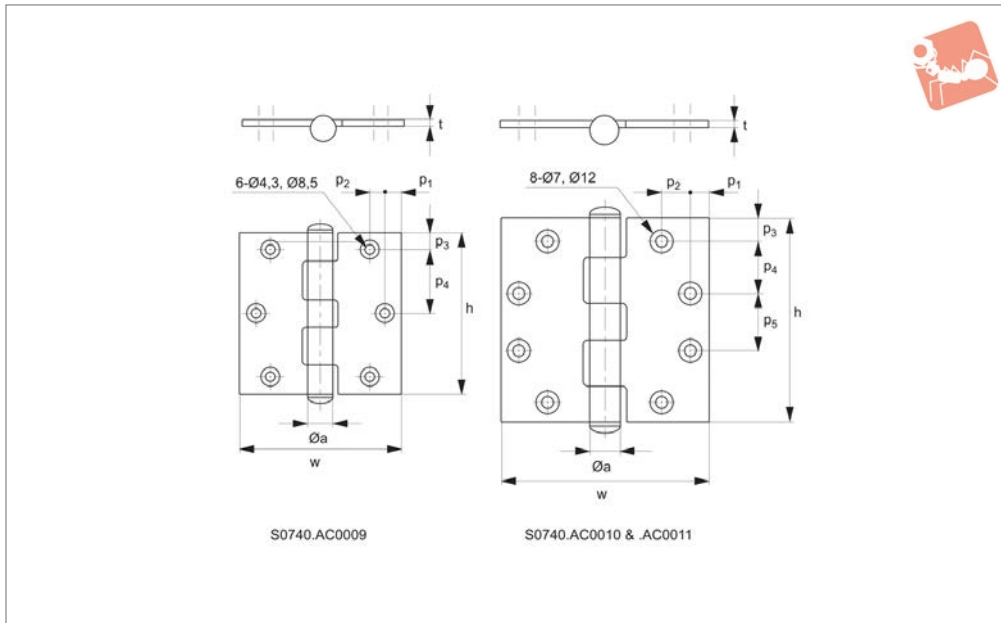


Surface Mount - Leaf Hinge

screw mount - stainless steel



Hinges



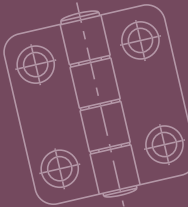
S0740

HINGES

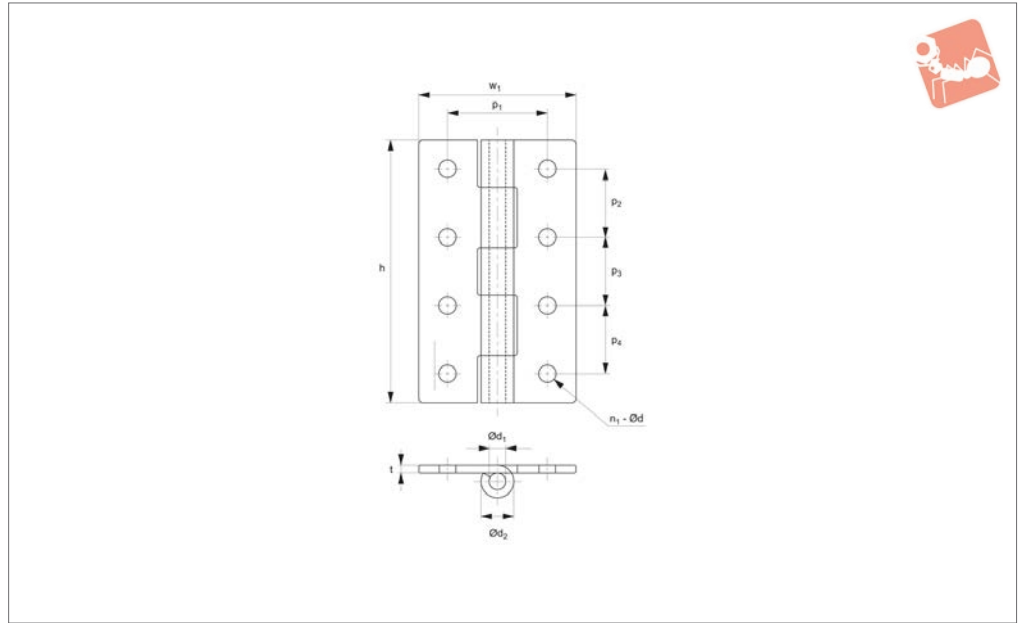
Material

Stainless steel, AISI 304, satin finish.

Order No.	a	h	p ₁	p ₂	p ₃	p ₄	p ₅	t	w	Load/pair kg	Weight g
S0740.AC0009	14.0	89.0	9.1	8.0	9.1	35.4	-	3.0	89.0	25	145
S0740.AC0010	14.8	101.6	9.5	9.5	13.0	25.5	24.6	3.4	101.6	40	195
S0740.AC0011	14.8	114.3	9.5	15.9	12.9	28.6	31.3	3.4	114.3	45	420



S0780



Material

Stainless steel, AISI 304, polished finish.

Order No.	h	n ₁	n ₂	p ₁	p ₂	p ₃	p ₄	t	w	d ₁	d ₂	d ₃	Load/pair kg	Weight g
S0780.AC0040	40	4	3	22	26	-	-	1.5	35	3.2	3.0	6.3	6	25
S0780.AC0050	50	4	3	22	34	-	-	1.5	35	4.3	3.0	6.3	8	30
S0780.AC0065	65	6	5	30	23	23	-	2.0	50	4.3	4.5	8.8	13	64
S0780.AC0075	75	6	5	30	27	27	-	2.0	50	5.3	4.5	8.8	15	74
S0780.AC0090	90	6	5	38	35	35	-	3.0	60	6.4	6.0	12.3	25	180
S0780.AC0100	100	8	5	38	26	26	26	3.0	60	6.4	6.0	12.3	30	195

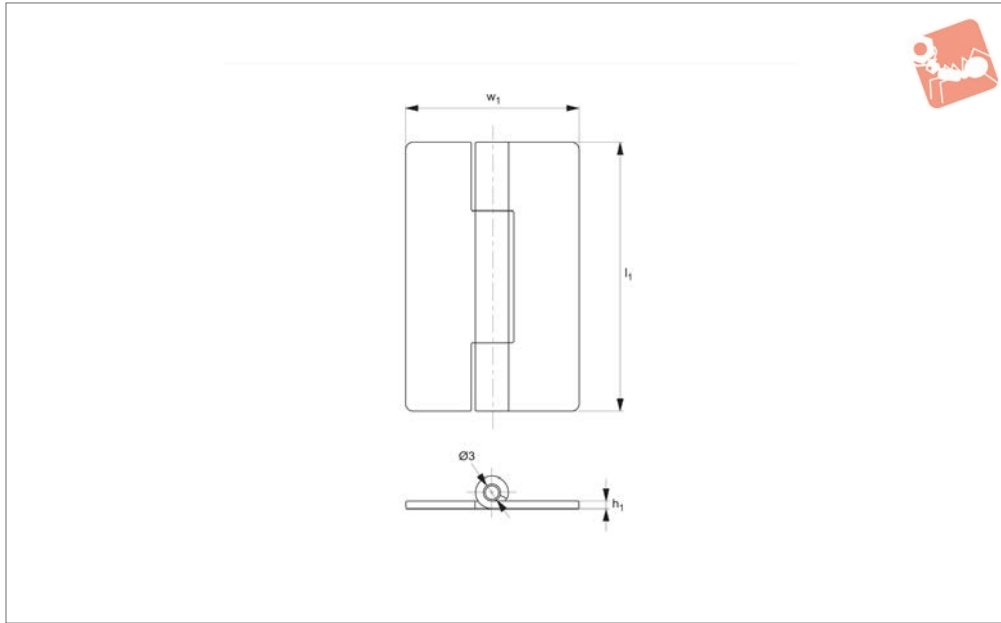


Surface Mount - Leaf Hinges

weld-on - stainless steel



Hinges



S0730

HINGES

Material

Hinge: polished stainless steel.

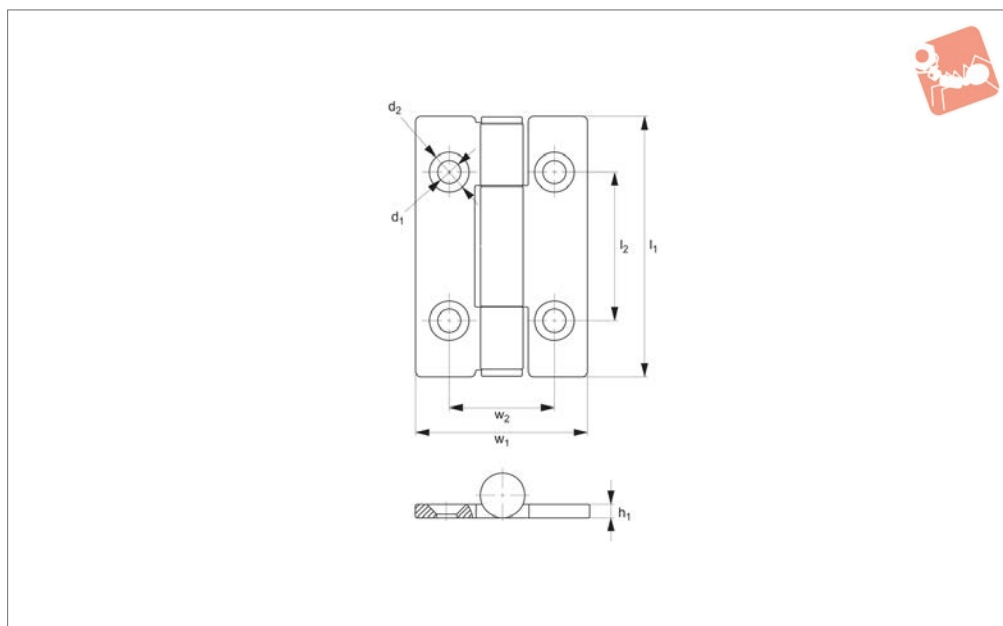
Technical Notes

Opening angle 180°.

Order No.	h_1	l_1	w_1	F_x N	F_y N
S0730.AW0050	1.5	50	32	516	665



S0732



Material

Hinge and pin: electrolytic stainless steel.

Technical Notes

Opening angle 180°.

Order No.	h_1	l_1	l_2	w_1	w_2	F_x N	F_y N	d_1	d_2
S0732.AW0050	2	50.8	30	32	20	520	800	4.5	7.5

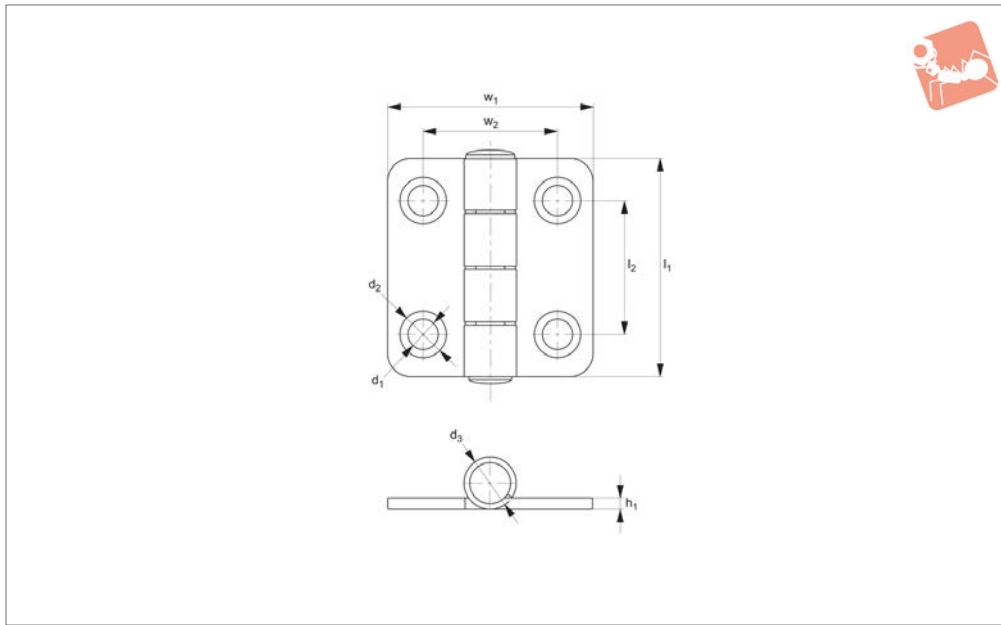


Surface Mount - Leaf Hinges

screw mount - stainless steel



Hinges



S0738

HINGES

Material

Hinge: polishing stainless steel.

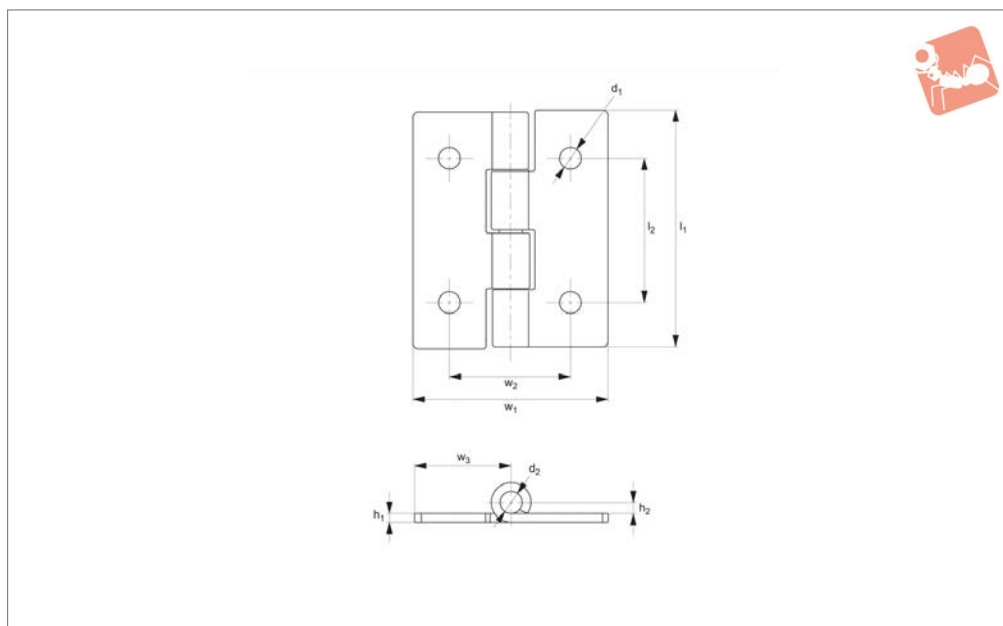
Technical Notes

Opening angle 180°.

Order No.	h_1	l_1	l_2	w_1	w_2	F_x N	F_y N	d_1	d_2	d_3
S0738.AW0037	2	37	22.5	35	23	745	1090	5.2	8	9



S0741



Material

304 stainless steel.

Technical Notes

Opening angle 180°.

Order No.	h_1	h_2	l_1	l_2	w_1	w_2	w_3	F_x N	F_y N	d_1	d_2
S0741.AW0040	1.2	1.8	40	24	32	20	16	340	600	3.2	3.5

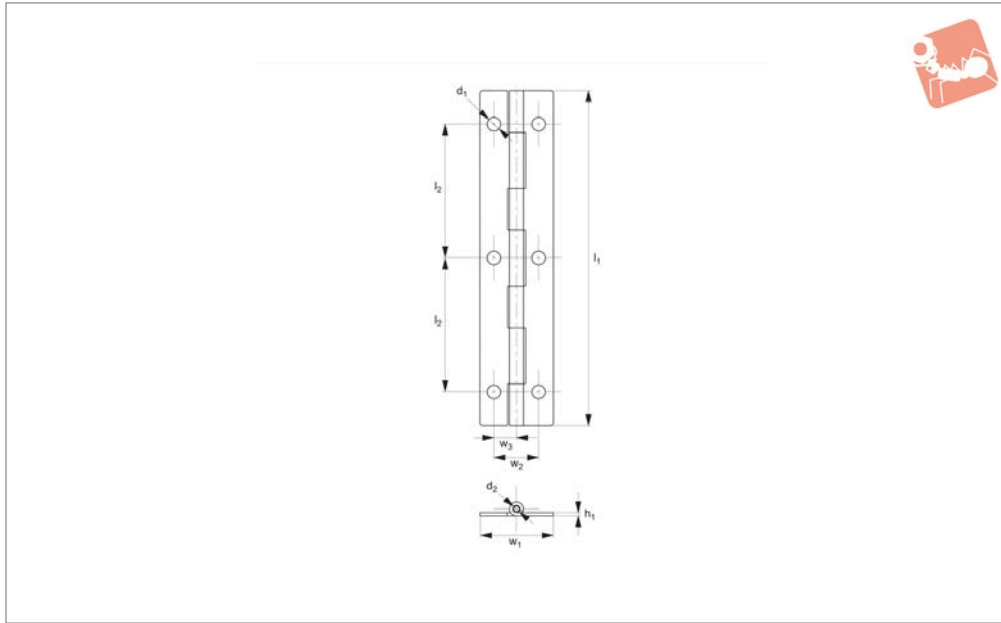


Surface Mount - Leaf Hinges

screw mount - steel



Hinges



S0742

HINGES

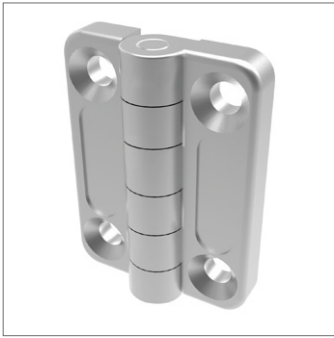
Material

Hinge: steel, zinc plated

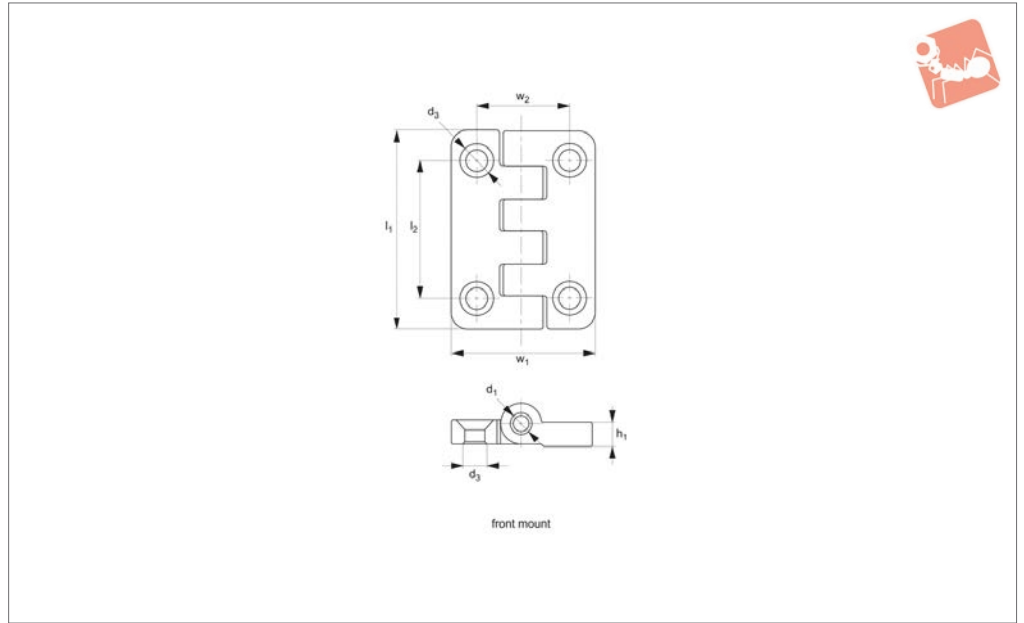
Technical Notes

Opening angle 180°.

Order No.	h_1	l_1	l_2	w_1	w_2	w_3	F_x N	F_y N	d_1	d_2
S0742.AW0150	1.5	150	60	32	20	10	840	1380	6	3.5



S0750



Material

Hinge: die cast zinc, chrome plated or black powder coated.

Pin: steel

Technical Notes

Opening angle 180°.

Order No.	Finish	Mount	h_1	l_1	l_2	w_1	w_2	F_x kN	F_y kN	d_1	d_3
S0750.AW0020	Chrome	Front	7	54	38	40	26	1.5	1.8	7	Ø6
S0750.AW0320	Black Coated	Front	7	54	38	40	26	1.5	1.8	7	Ø6
S0750.AW0030	Chrome	Front	6	50	30	76	56	1.125	1.49	7	Ø6
S0750.AW0330	Black Coated	Front	6	50	30	76	56	1.125	1.490	7	Ø6

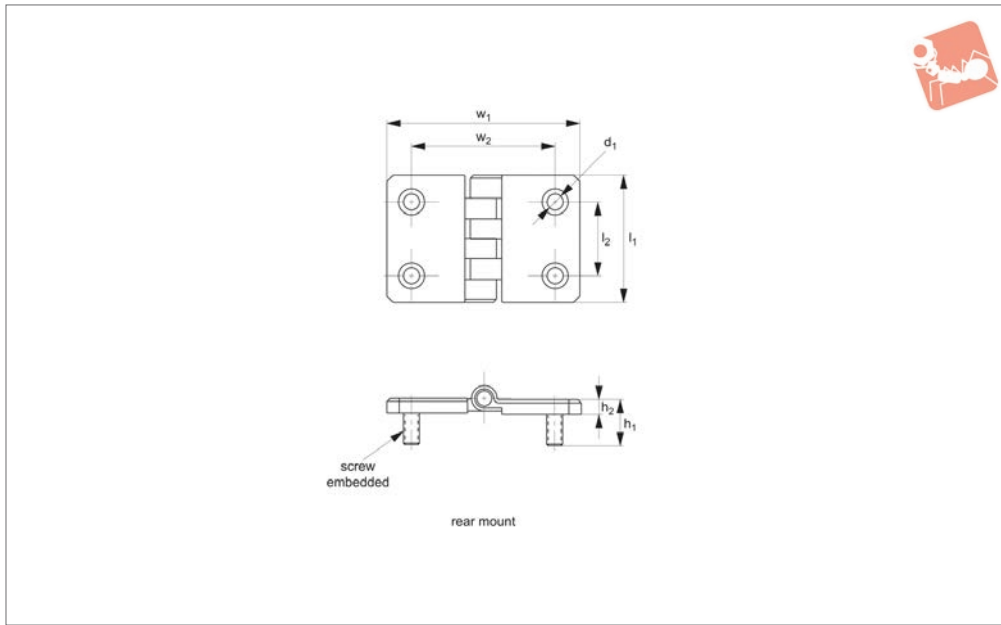


Surface Mount - Leaf Hinges

integrated stud - zinc



Hinges



S1136

HINGES

Material

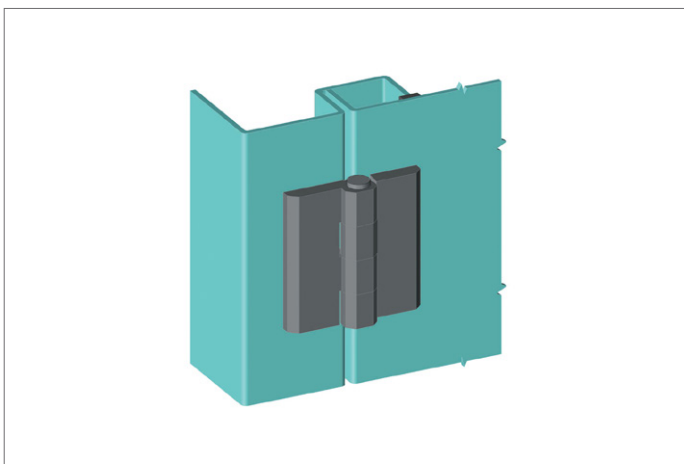
Hinge: die cast zinc, chrome plated or black powder coated.

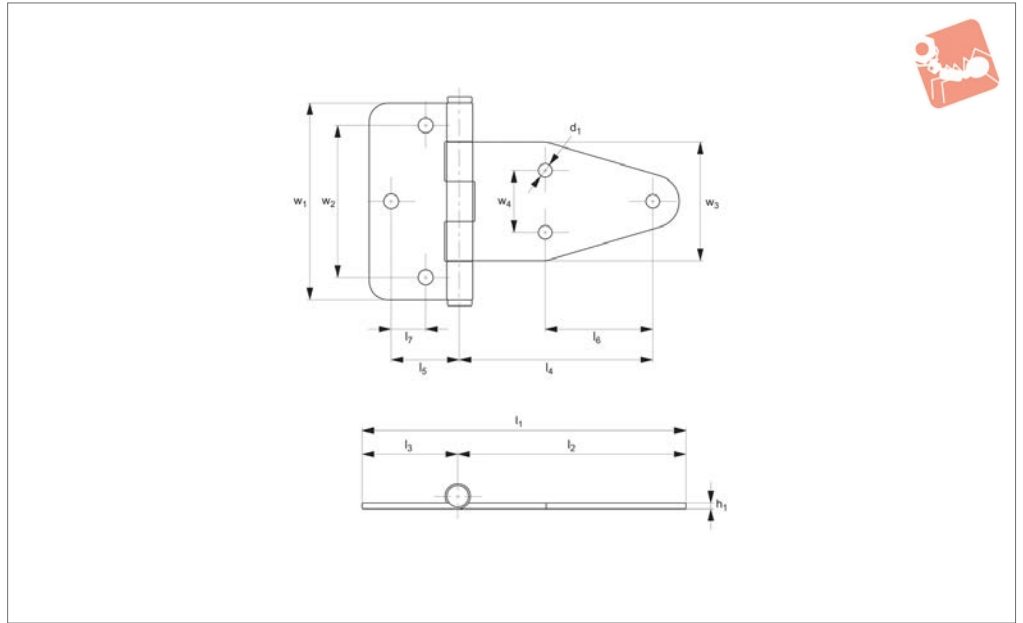
Pin: steel

Technical Notes

Opening angle 180°.

Order No.	Finish	Mount	h_1	h_2	l_1	l_2	w_1	w_2	F_x kN	F_y kN	d_1
S1136.AW0020	Chrome	Rear	20.5	7	54	38	40	26	1.5	1.8	M6
S1136.AW0320	Black Coated	Rear	20.5	7	54	38	40	26	1.5	1.8	M6
S1136.AW0030	Chrome	Rear	21.0	6	50	30	76	56	1.125	1.49	M6
S1136.AW0330	Black Coated	Rear	21.0	6	50	30	76	56	1.125	1.49	M6





HINGES

S0818

Material

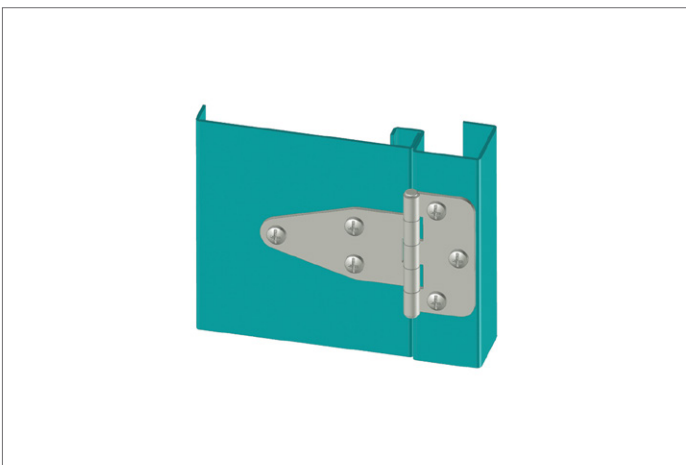
Hinge: stainless steel AISI 304, polished.

doors, as well as electrical panels and covers. Opening angle 180°.

Technical Notes

For plain/flush mounted, isolated heavy

Order No.	h_1	l_1	l_2	l_3	l_4	l_5	l_6	l_7	w_1	w_2	w_3	F_x N	F_y N	d_1
S0818.AW0010	2.5	137	97	40	85.5	30	48	15	85	65	57	750	850	6.5



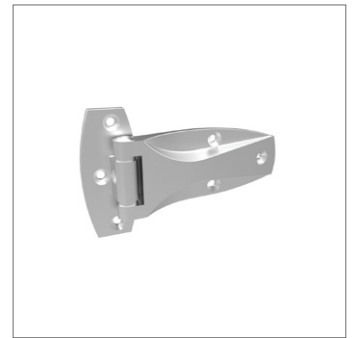
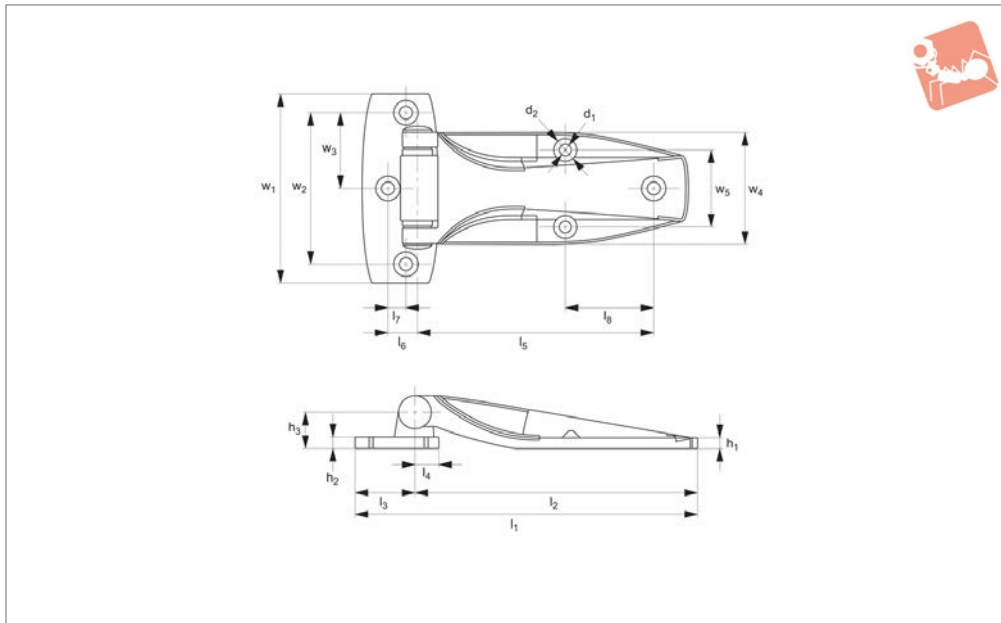


Surface Mount - Leaf Hinges

screw mount - stainless steel



Hinges



S0820

HINGES

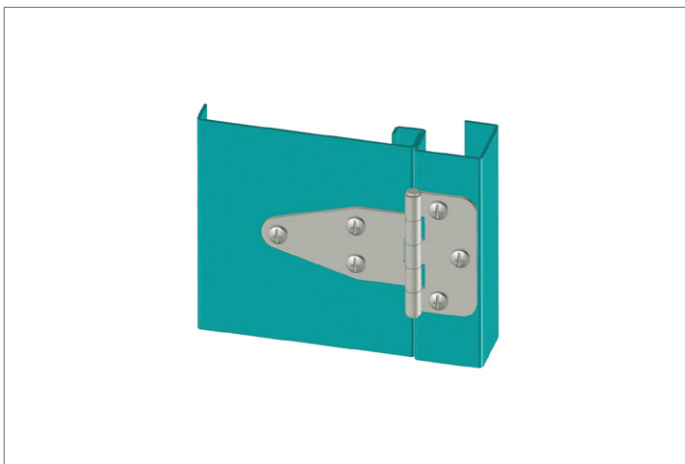
Material

Hinge: stainless steel AISI 304, polished.

Technical Notes

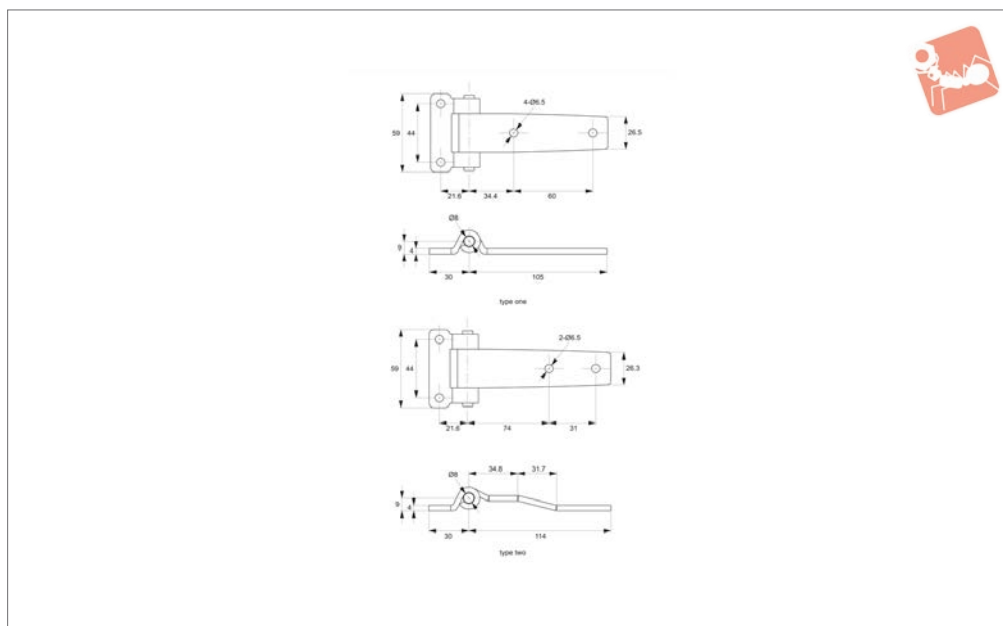
Opening angle 135°.

Order No.	h_1	h_2	h_3	l_1	l_2	l_3	l_4	l_5	l_6	l_7	l_8	w_1	w_2	w_3	w_4	w_5	F_x N	d_1	d_2
S0820.AW0010	4.5	5	15.2	141.8	116.8	25	10	102.4	13	8.2	37.9	83	66	33	49	33.5	2170	5.2	10.5





S0822



Material

Hinge and pin: stainless steel, AISI 304, polished.

Technical Notes

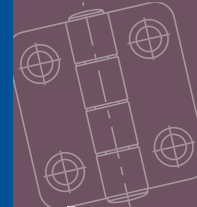
Opening angle 180°.

Order No.	Type	Length	F _x kN	F _y kN	Width
S0822.AW0010	type one	135	1.12	1.2	59
S0822.AW0110	type two	134	1.12	1.2	59

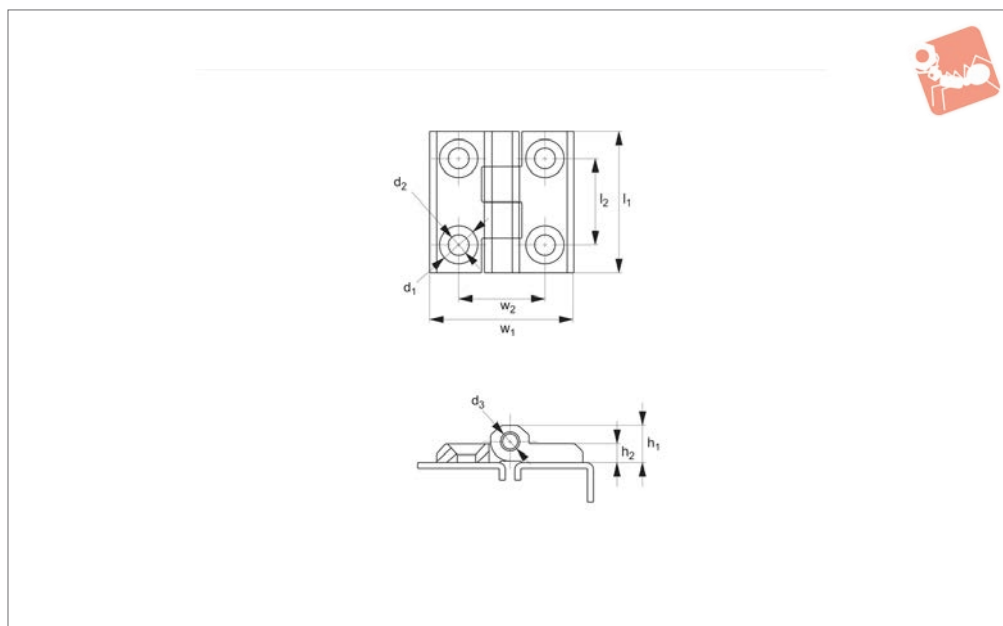


Surface Mount - Leaf Hinges

screw mount - stainless steel



Hinges



S0523

HINGES

Material

Stainless steel, AISI 304.

electrical panels and covers.

Opening angle 180°.

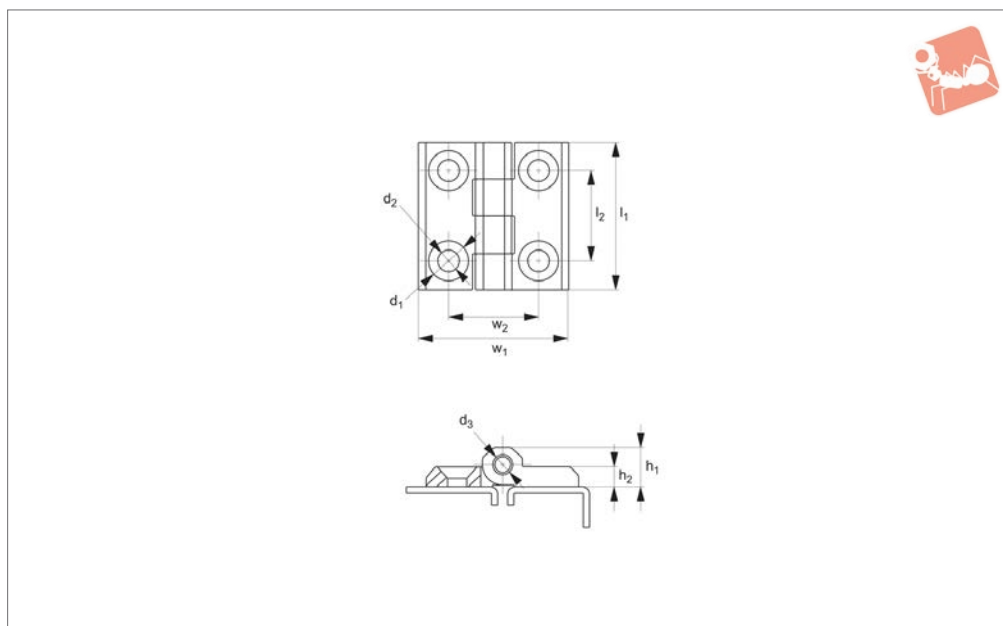
Technical Notes

For plain/flush mounted doors, as well as

Order No.	Size	h_1	h_2	l_1	l_2	w_1	w_2	d_1	d_2	d_3	90° Angled stress kN	Axial load F_x N max.	Axial stress kN	Radial load F_x N max.	Radial stress kN
S0523.AW0040	40 x 40	9,0	5	40	25	40	25	10,5	5,3	4	2,00		1,45		2,1
S0523.AW0050	50 x 50	11,5	6	50	30	50	30	12,5	6,3	7	2,45	1,3	2,10	1,2	3,5
S0523.AW0060	60 x 60	15,0	8	60	36	60	36	12,5	8,4	8	4,40	1,8	3,20	1,5	6,0



S0561



Material

Black Coated

Body: die cast zinc, black powder coated.
Pin: steel, nickel plated.

Chrome

Body: die cast zinc, chrome plated.
Pin: steel, nickel plated.

Technical Notes

For plain/flush mounted doors, as well as electrical panels and covers. Opening angle 180°.

Order No.	Finish	Size	h_1	h_2	l_1	l_2	w_1	w_2	d_1	d_2	90° Angled stress kN	Axial load F_x N max.	Axial stress kN	Radial load F_x N max.	Radial stress kN
S0561.AW0040	Black Coated	40 x 40	9,0	5,0	40	25	40	25	10,2	5,3	2,00	1,2	1,45	1,0	2,1
S0561.AW0050	Black Coated	50 x 50	11,5	6,0	50	30	50	30	12,5	6,3	2,45	1,3	2,10	1,2	3,5
S0561.AW0060	Black Coated	60 x 60	15,0	8,0	60	36	60	36	16,5	8,4	4,40	1,8	3,20	1,5	6,0
S0561.AW0057	Black Coated	50 x 76	11,5	6,0	50	30	76	56	12,5	6,3	1,25	1,2	1,30	1,1	3,0
S0561.AW0612	Black Coated	60x120	15,0	8,0	60	36	120	88	12,5	6,8	1,50	1,2	1,30	1,1	4,5
S0561.AW0140	Chrome	40 x 40	9,8	5,2	40	25	40	25	5,2	2,00			1,45		2,1
S0561.AW0157	Chrome	50 x 76	11,0	6,0	50	30	76	55	6,3	2,45			2,10		3,5
S0561.AW0160	Chrome	60 x 60	17,2	8,2	60	38	60	36	8,2	1,25			1,30		3,0
S0561.AW0150	Chrome	50 x 50	11,2	6,0	50	30	50	30	6,3	4,40			3,20		6,0
S0561.AW1612	Chrome	60x120	17,2	8,2	60	90	120	36	8,2	1,50			1,30		4,5

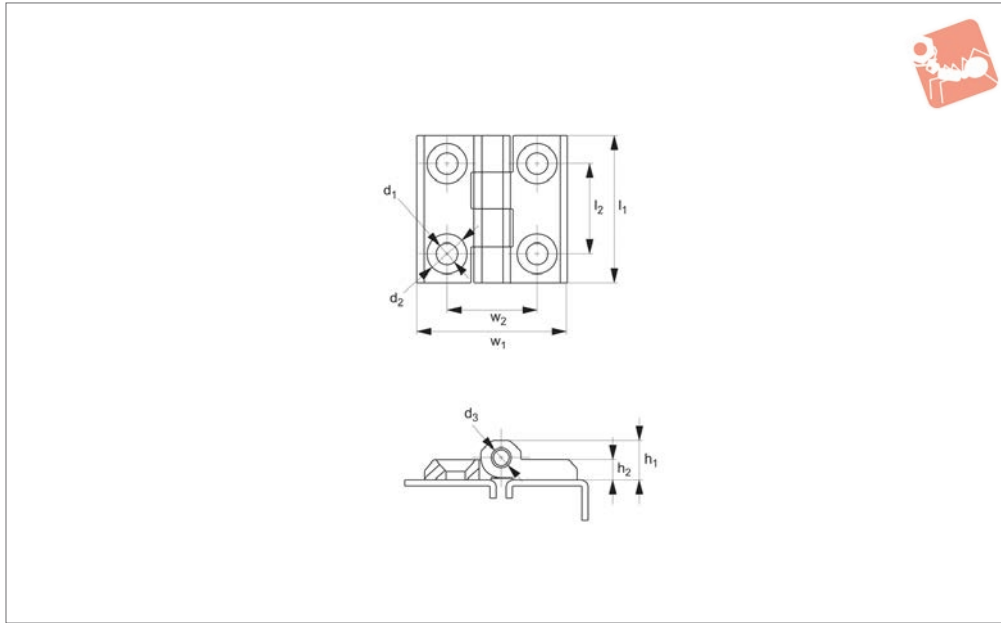


Surface Mount - Leaf Hinges

screw mount - polyamide



Hinges



S0563

HINGES

Material

Body: polyamide.
Pin: steel, nickel plated.

Technical Notes

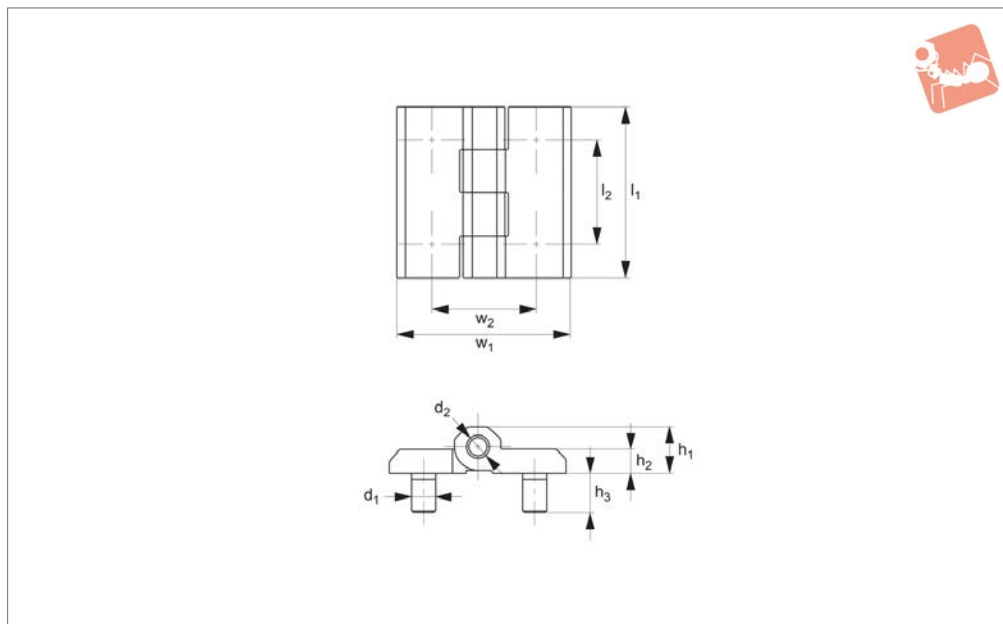
For plain/flush mounted doors, as well as electrical panels and covers. Opening

angle 180°.

Order No.	Size	h_1	h_2	l_2	w_1	w_2	F_x kN	F_y kN	d_1	d_2	d_3
S0563.AW0040	40 x 40	9.8	5	25	40	25	-	-	10.5	5.3	6
S0563.AW0050	50 x 50	11.5	5	30	50	30	1.2	1.3	12.5	6.3	6



S1101



Material

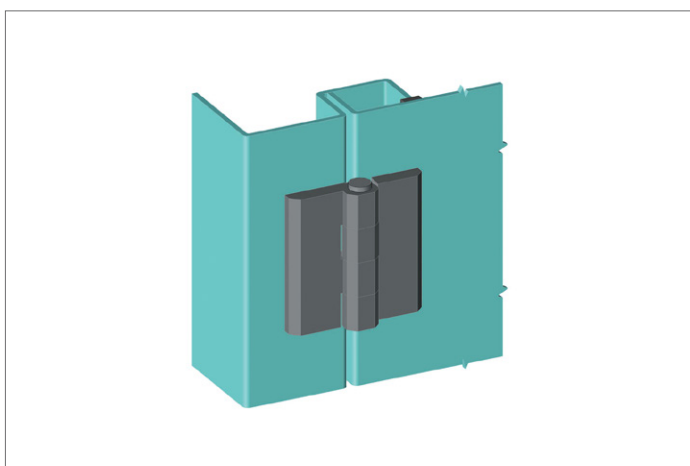
Body: die cast zinc, black powder coated.
Pin: steel, nickel plated.

Technical Notes

For plain/flush mounted doors, as well as electrical panels and covers.

Opening angle 180°.

Order No.	Finish	Size	h_1	h_2	h_3	l_1	l_2	w_1	w_2	d_1	d_2	90° Angled stress	Axial load F_x N max.	Axial stress kN	Radial load F_x N max.	Radial stress kN
S1101.AW0040	Black Coated	40 x 40	9,0	5	10,0	40	25	40	25	M 5	4	1,85	1.2	0,9	1.0	1,7
S1101.AW0050	Black Coated	50 x 50	11,5	6	12,5	50	30	50	30	M 6	6	2,0	1.3	2,05	1.2	3,55
S1101.AW0057	Black Coated	50 x 70	11,5	6	12,5	50	30	76	56	M 6	6	2,00	1.2	1,5	11.2	3,00
S1101.AW0060	Black Coated	60 x 60	15,0	8	16,5	60	36	60	36	M 6	8	2,55	1.8	3,05	1.5	4,05
S1101.AW0612	Black Coated	60 x 120	15,0	8	16,5	60	36	120	88	M 8	8	1,5	1.2	1,5	1.12	4,5
S1101.AW0140	Chrome	40 x 40	9,0	5	10,0	40	25	40	25	M 5	4					
S1101.AW0150	Chrome	50 x 50	11,5	6	12,5	50	30	50	30	M 6	6					
S1101.AW0160	Chrome	60 x 60	15,0	8	16,5	60	36	60	36	M 8	8					



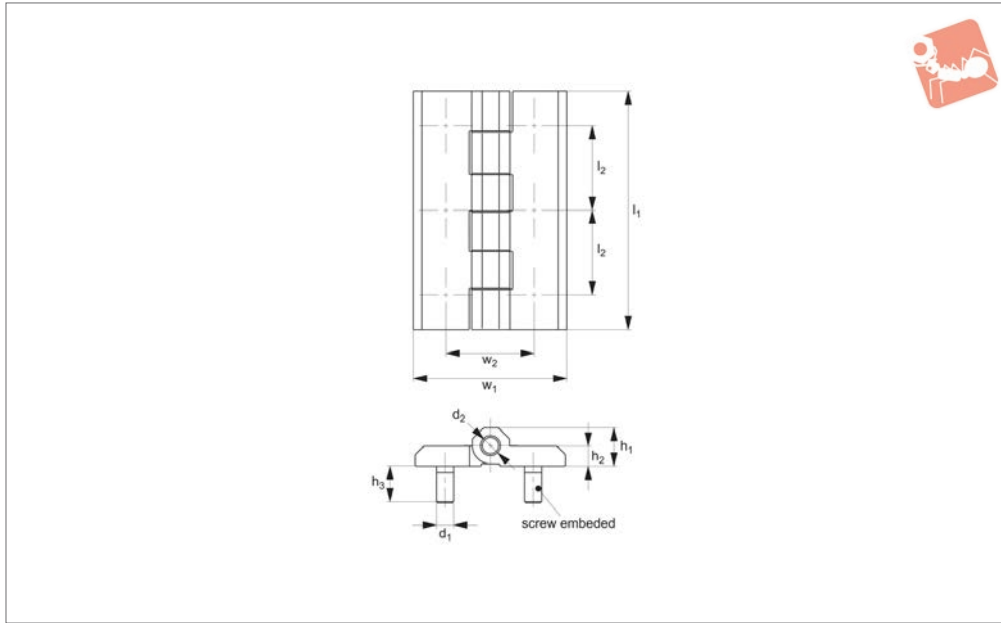


Surface Mount - Leaf Hinges

intergrated stud mount - zinc



Hinges



S1113

HINGES

Material

Hinge: die cast zinc, black powder coated.
Pin: nickel-plated steel.

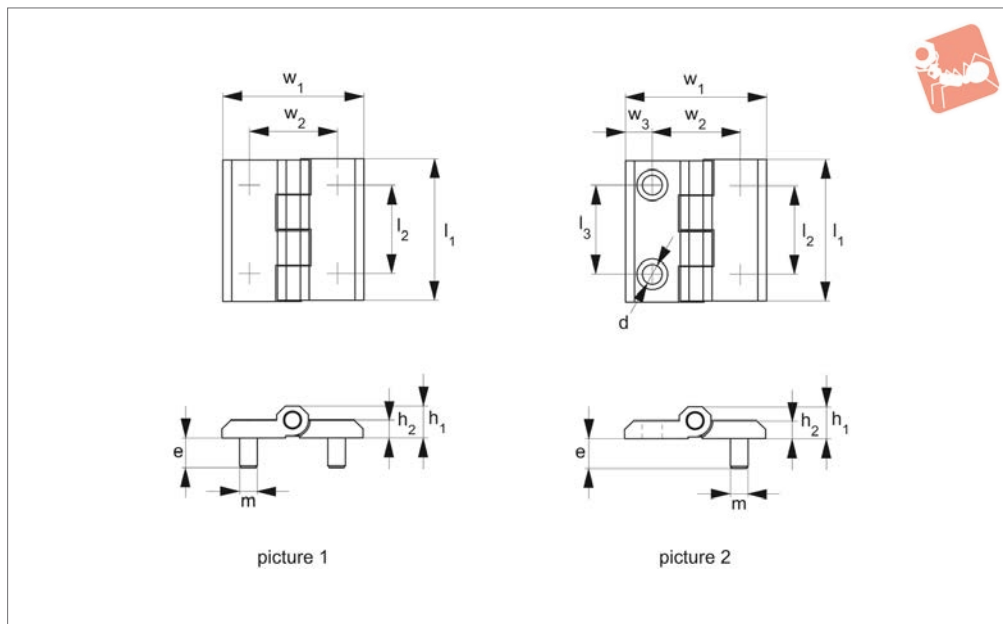
Technical Notes

Opening angel 180°.

Order No.	Type	h_1	h_2	h_3	l_1	l_2	w_1	w_2	F_x kN	F_y kN	d_1	d_2
S1113.AW0010	Left	15	8	14.5	90	32	60	36	1.12	1.2	M 8	8
S1113.AW0020	Right	15	8	14.5	90	32	60	36	1.12	1.2	M 8	8



S1120



Material

Body: polyamide, DIN-EN ISO 1043-1 PA 6 GFR 30. Black.

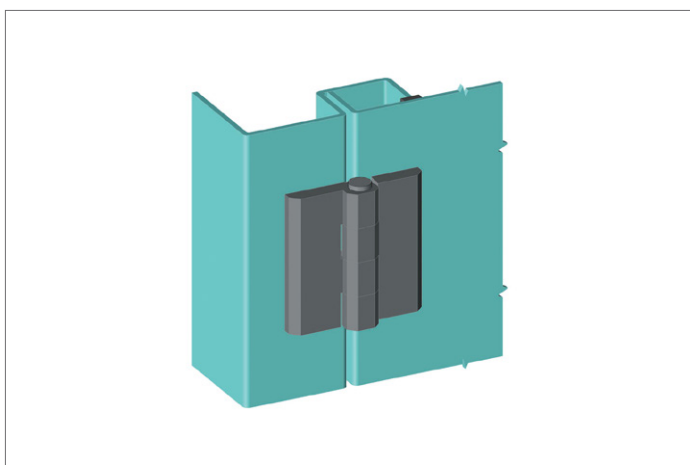
Pin: stainless steel, AISI 304.

electrical panels and covers.
Max. opening angle 270°.

Technical Notes

For plain/flush mounted doors, as well as

Order No.	Type	Finish	Size	Picture	e	h ₁	h ₂	l ₁	l ₂	l ₃	m	w ₁	w ₂	w ₃	d	Mounting
S1120.AW0050	Equal	Plastic	50 x 50	1	12.0	11	6	50	30	-	M 6	50	30	-	6.3	Rear - Rear
S1120.AW0040	Equal	Plastic	40 x 40	1	8.5	9	5	40	25	-	M 5	40	25	-	5.3	Rear - Rear
S1120.AW0150	Equal	Plastic	50 x 50	2	12.0	11	6	50	30	30	M 6	50	30	10	6.3	Rear - Front



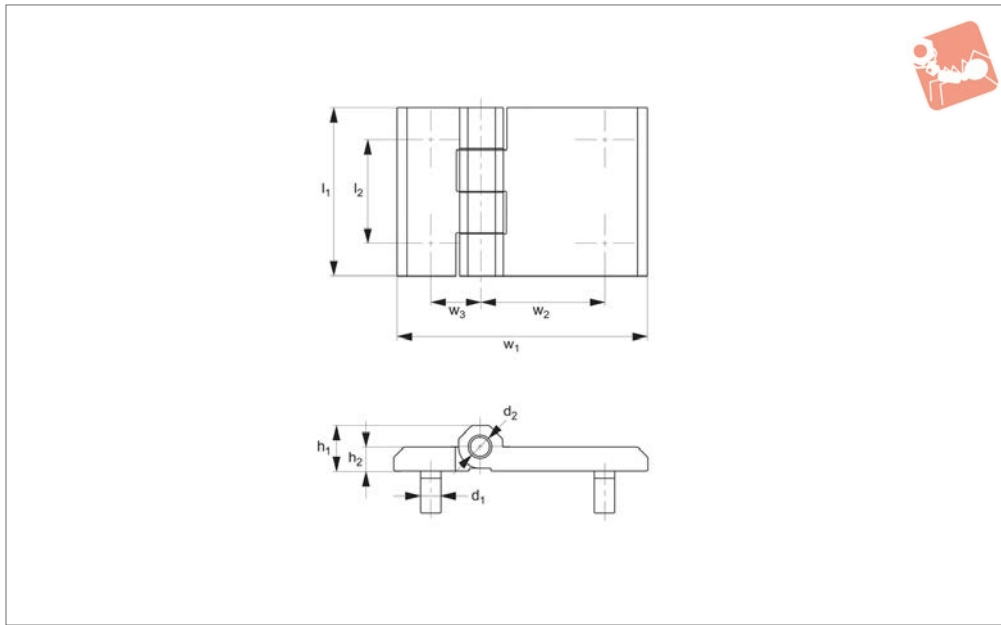


Surface Mount - Leaf Hinges

intergrated stud mount - zinc



Hinges



S1130

HINGES

Material

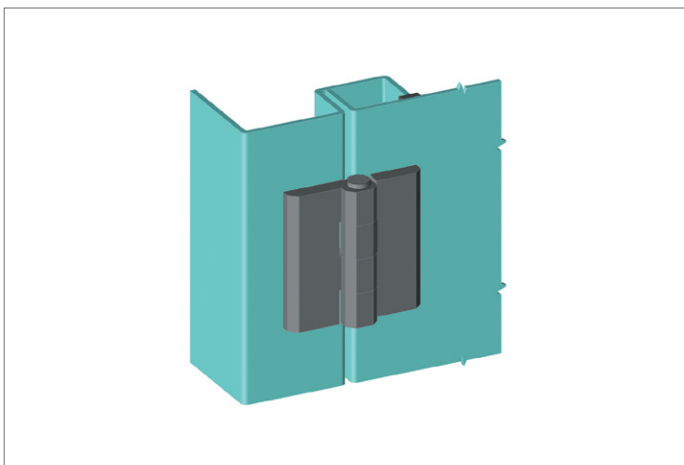
Hinge: die cast zinc, black powder coated.
Pin: nickel-plated steel.

Technical Notes

For plain/flush mounted doors, as well as electrical panels and covers. Opening

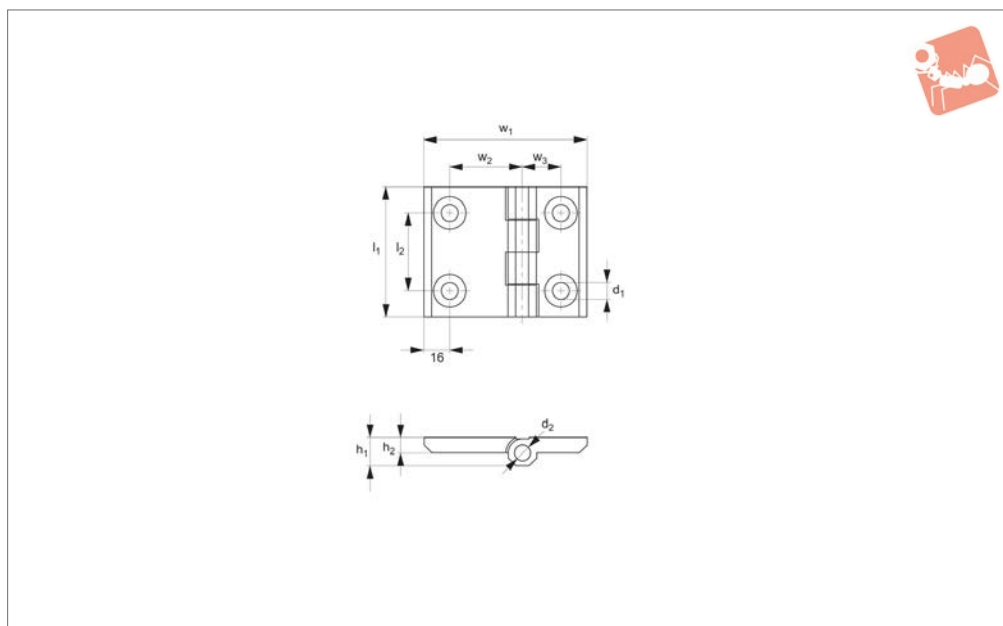
angle 180°.

Order No.	h_1	h_2	l_1	l_2	w_1	w_2	w_3	F_x kN	F_y kN	d_1	d_2	90° Angled stress	Axial stress kN	Radial stress kN
S1130.AW0050	11.5	6	50	30	63	28	15	1.12	1.2	M6	6	1.25	1.5	3.0
S1130.AW0060	15.0	8	60	36	90	44	18	1.12	1.2	M8	8	1.5	1.5	4.5





S1131



Material

Hinge: black powder, die cast zinc coated.
Pin: nickle-plated steel.

Technical Notes

Opening angle 180°.

Order No.	h_1	h_2	l_1	l_2	w_1	w_2	w_3	d_1	d_2	90° Angled stress	Axial load F_x	Axial stress	Radial load F_x	Radial stress
											N max.	kN	N max.	kN
S1131.AW0060	15	8	60	36	90	44	18	8.4	8	1.5	1.2	1.5	1.12	4.5

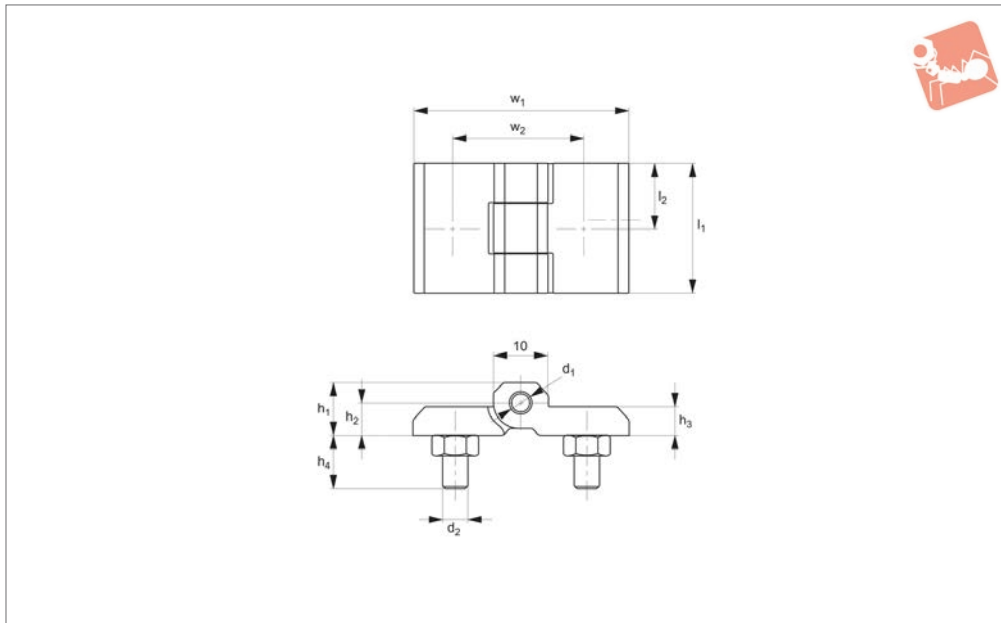


Surface Mount - Leaf Hinges

integrated stud - zinc



Hinges



S1133

HINGES

Material

Hinge: die cast zinc, black powder coated.

Supplied with: fixing nuts.

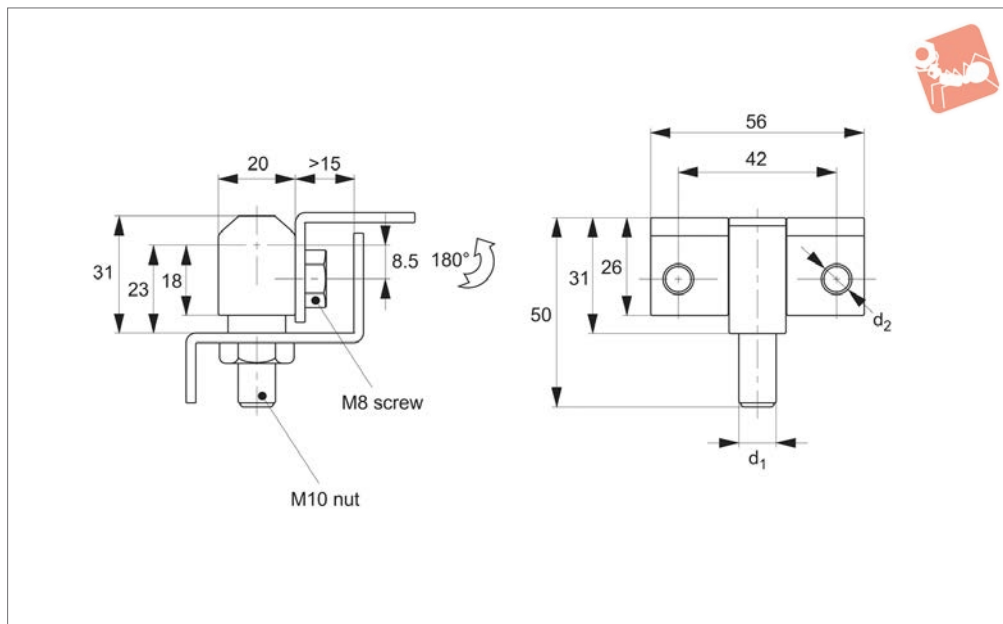
Technical Notes

Opening angle 180°.

Order No.	h_1	h_2	h_3	h_4	l_1	l_2	w_1	w_2	d_1	d_2	Axial load F_x N max.	Radial load F_x N max.
S1133.AW0010	9	5.5	5	12	24	12	40	25	4	M 5	210	520



S1170



Material

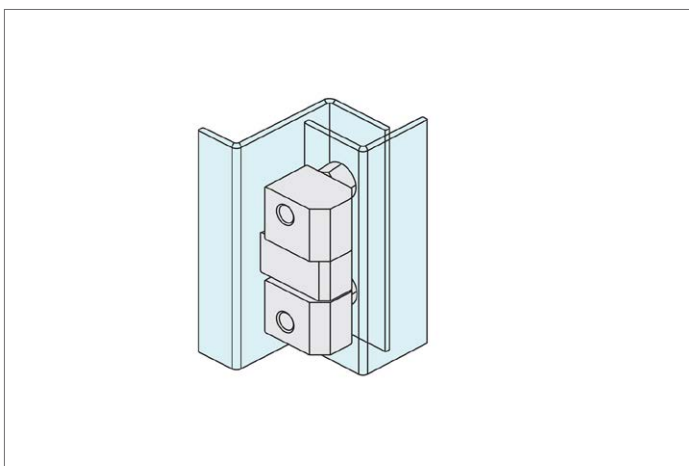
Steel, bright chrome plated.

hinges, for electrical covers and panels.
Mounted via M8 screws (not supplied).

Technical Notes

Opening angle 180°. Side mounting

Order No.	Finish	F _x kN	F _y kN	d ₁	d ₂
S1170.AW0010	Chrome Plated	2.5	1.785	M10	M 8
S1170.AW0020	Black Coated	2.5	1.785	M10	M 8



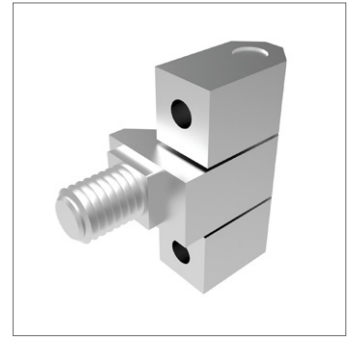
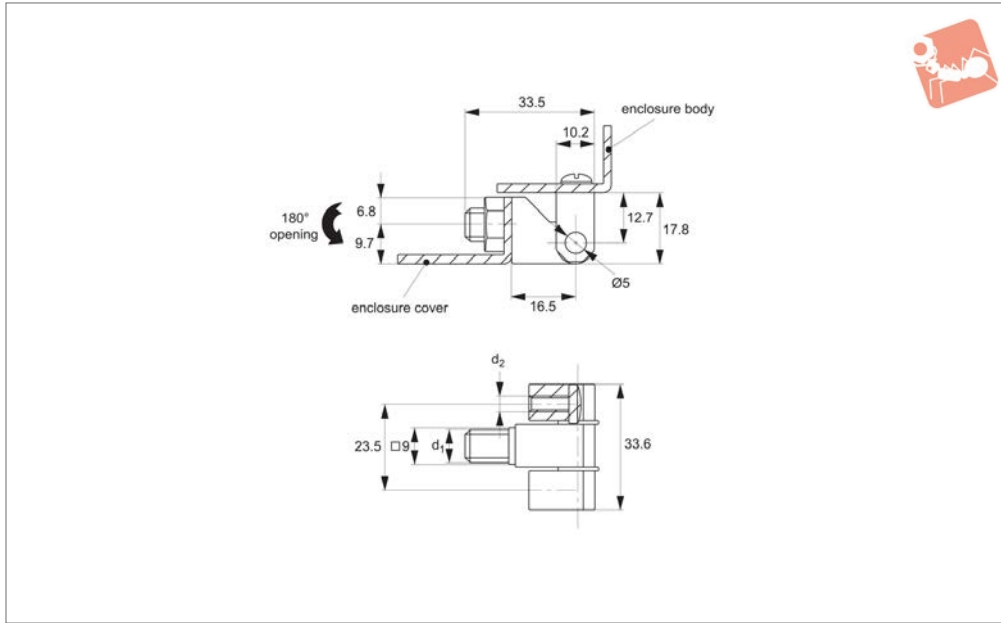


Surface Mount - In-line Hinges

intergrated stud and screw mount - zinc



Hinges



S1172

HINGES

Material

Hinge: die cast zinc.
Pin: steel.

angle 180°.

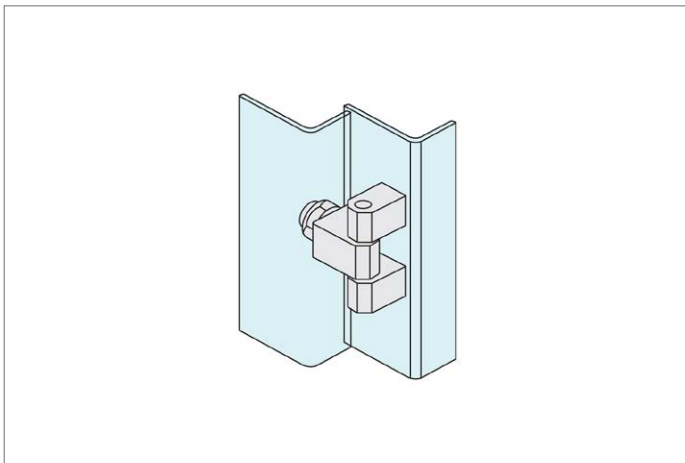
Technical Notes

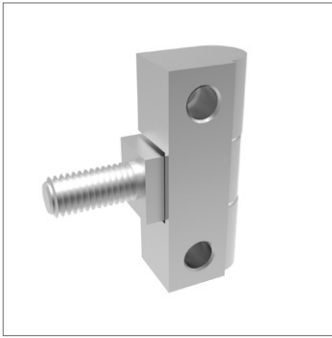
For electrical panels and covers. Opening

Tips

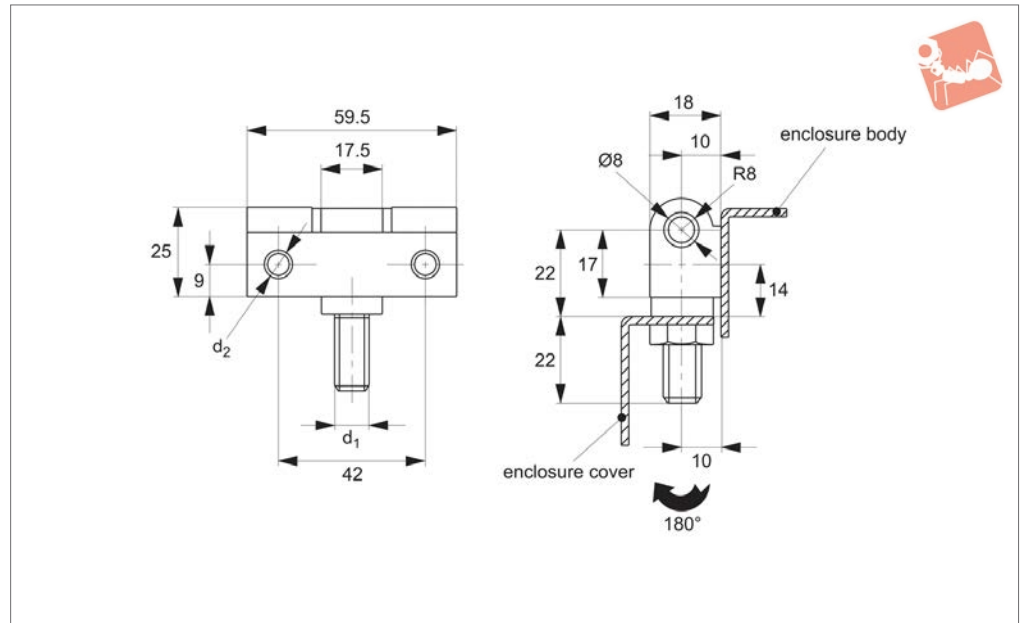
Parts supplied tightly fitted.

Order No.	Finish	Size	F _x kN	F _y kN	d ₁	d ₂	Opening angle
S1172.AW0010	Chrome	33 x 21	1.2	1.0	M 8	M 4	180°
S1172.AW0020	Black Coated	33 x 21	1.2	1.0	M 8	M 4	180°





S1174



Material

Hinge: die cast zinc.

Max. opening angle 180° .

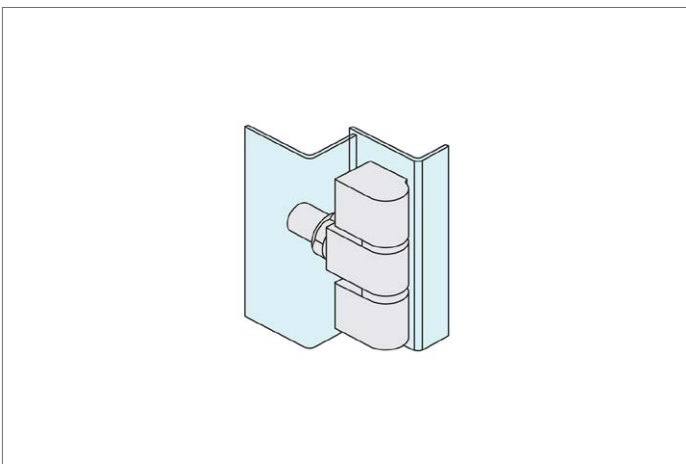
Tips

Parts supplied tightly fitted.

Technical Notes

For electrical panels and covers.

Order No.	Finish	Size	F_x kN	F_y kN	d_1	d_2	Opening angle
S1174.AW0010	Chrome Plated	59 x 18	2.0	1.52	M10	M 8	180°
S1174.AW0020	Black Coated	59 x 18	2.0	1.52	M10	M 8	180°



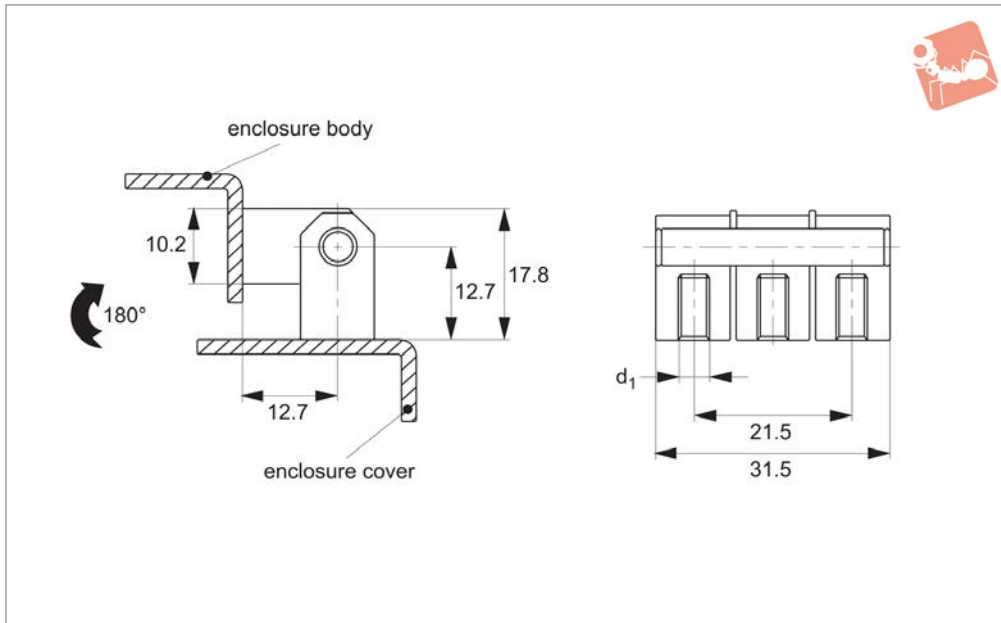


Surface Mount - In-line Hinges

bolt-on - zinc



Hinges



S1176

HINGES

Material

Hinge: die cast zinc.
Pin: steel.

Max. opening angle 180°.

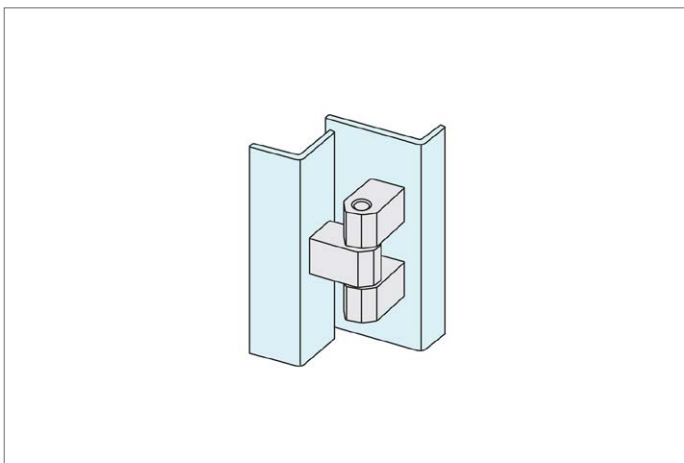
Tips

Parts supplied tightly fitted.

Technical Notes

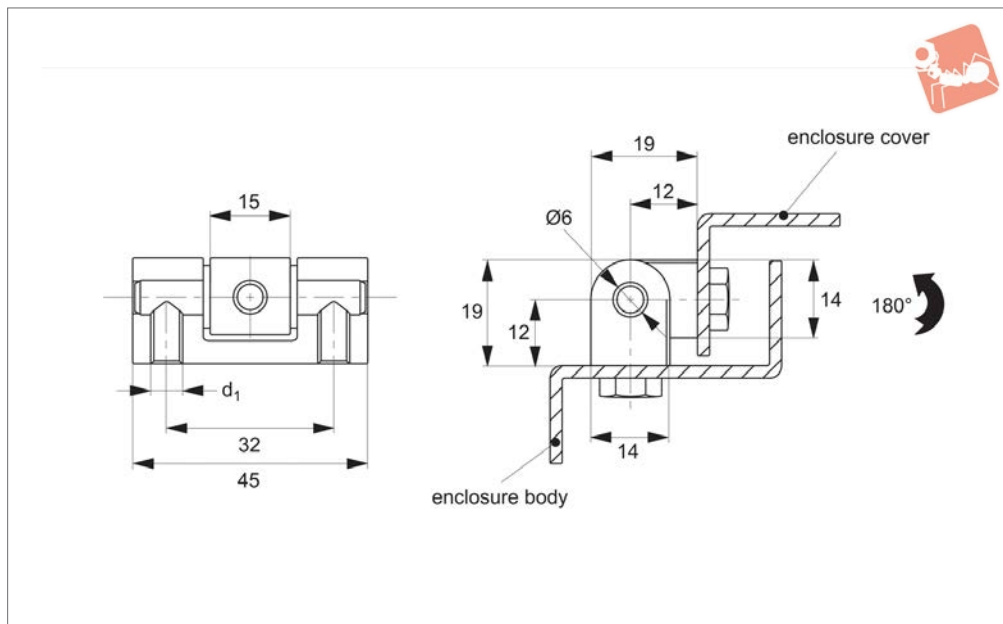
For electrical panels and covers.

Order No.	Finish	Size	F _x kN	F _y kN	d ₁	Opening angle
S1176.AW0010	Chrome Plated	31 x 10	1.2	1.0	M 4	180°
S1176.AW0020	Black Coated	31 x 10	1.2	1.0	M 4	180°





S1192



Material

Hinge: die cast zinc.
 Pin: steel, nickel-plated.
 Bushing: PA.
Not supplied: SCREWS.

Technical Notes

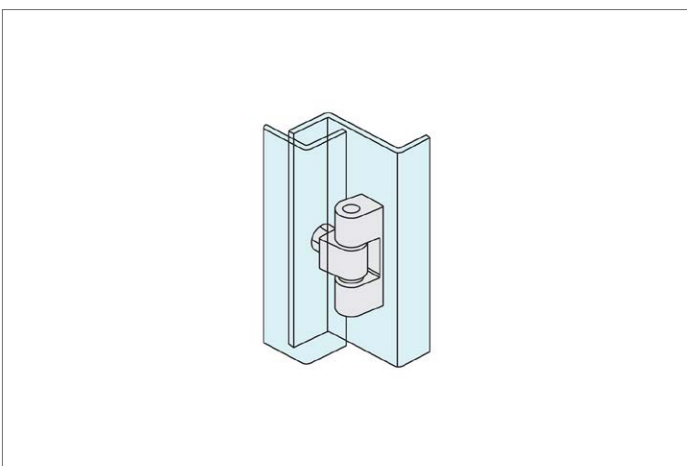
Universal left or right hand opening doors.
 For external mounting on cabinets, surface mounted doors, sheet metal doors etc.
 Mounting via concealed 3 x M6 screws.

Max. opening angle 180°.

Tips

Parts supplied tightly fitted.

Order No.	Finish	Size	F _x kN	F _y kN	d ₁	Opening angle
S1192.AW0010	Chrome	45 x 14	1.675	2.0	M 6	180°
S1192.AW0020	Black Coated	45 x 14	1.675	2.0	M 6	180°



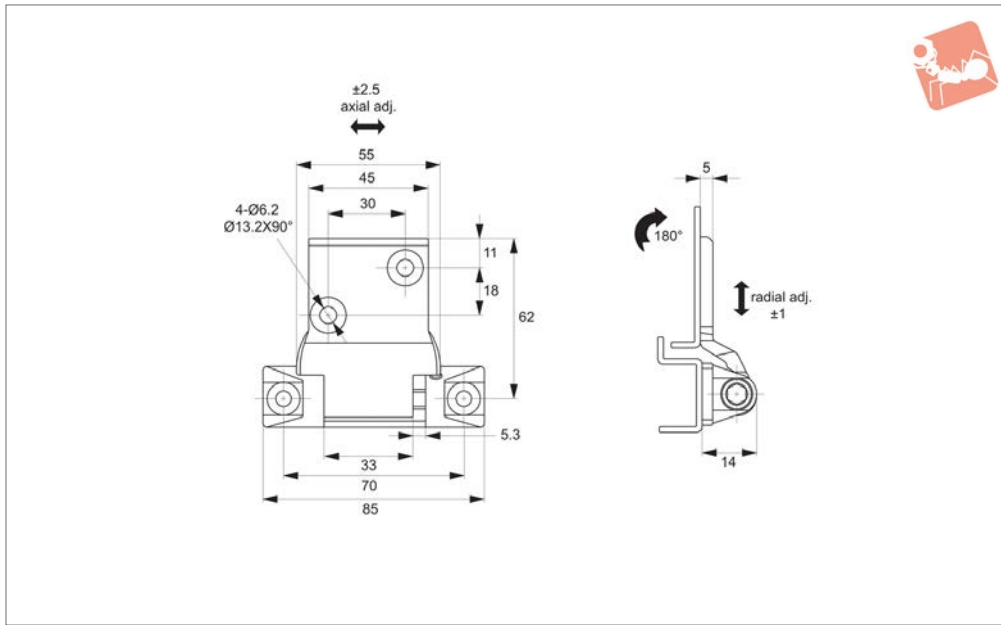


Surface Mount - HVAC Applications

axial adjustment - screw mount - zinc



Hinges



S1806

HINGES

Material

Die cast zinc, black powder coated .
Shaft: stainless steel AISI 304.
Bearing: delrin plastic.

Technical Notes

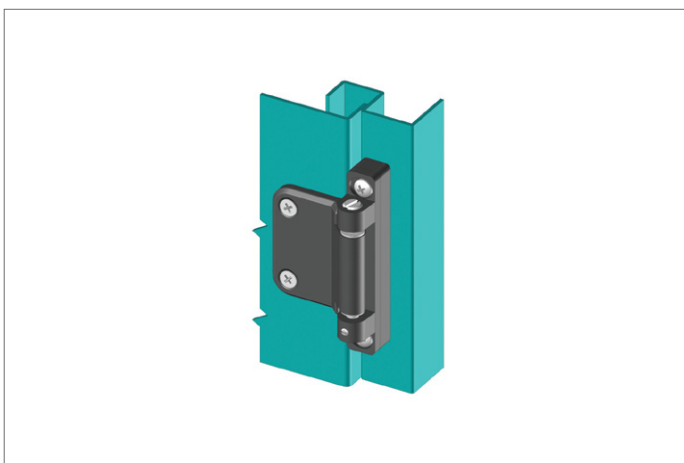
Ideal for heating and ventilation applica-

tions, for use on flat panels and covers.
Increase off-set via use of additional
spacers, for your own design (not
supplied).
Mounting via M5 screws.
Max. opening angle 180°.

Tips

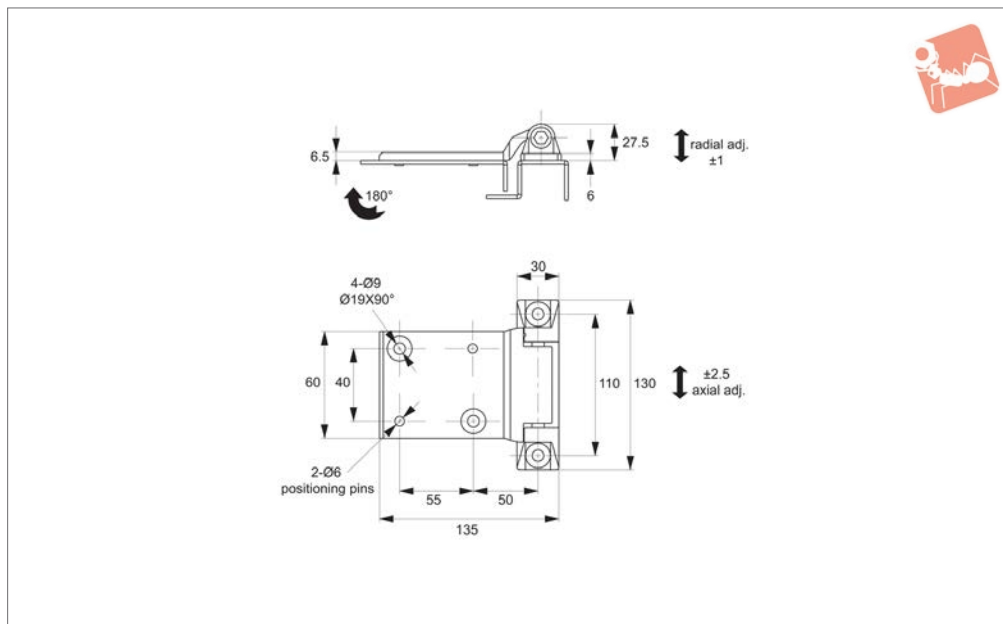
Maximum 5.3mm axial adjustment.

Order No.	Type	Finish	Size	F _x kN	F _y kN	Opening angle
S1806.AW0010	Left Hand	Black coated	85 x 77	1.5	1.3	180°
S1806.AW0020	Right Hand	Black coated	85 x 77	1.5	1.3	180°





S1823



Material

Die cast zinc, pocked black powder coated.
Shaft: stainless steel AISI 304.

tions, for use on flat panels and covers.
Mounting via M8 screws.
Max. opening angle 180°.

± 1mm radial is possible.

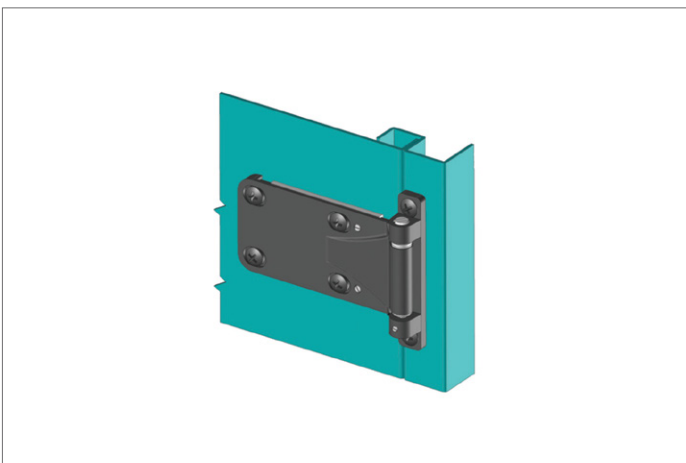
Technical Notes

Ideal for heating and ventilation applica-

Tips

Adjustments of hinge by ± 2,5mm axial and

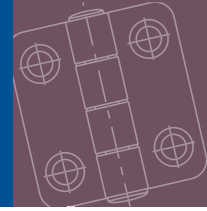
Order No.	Type	Finish	Size	F _x kN	F _y kN	Opening angle
S1823.AW0010	Left Hand	Black Coated	130 x 135	1.8	1.5	180°
S1823.AW0020	Right Hand	Black Coated	130 x 135	1.8	1.5	180°



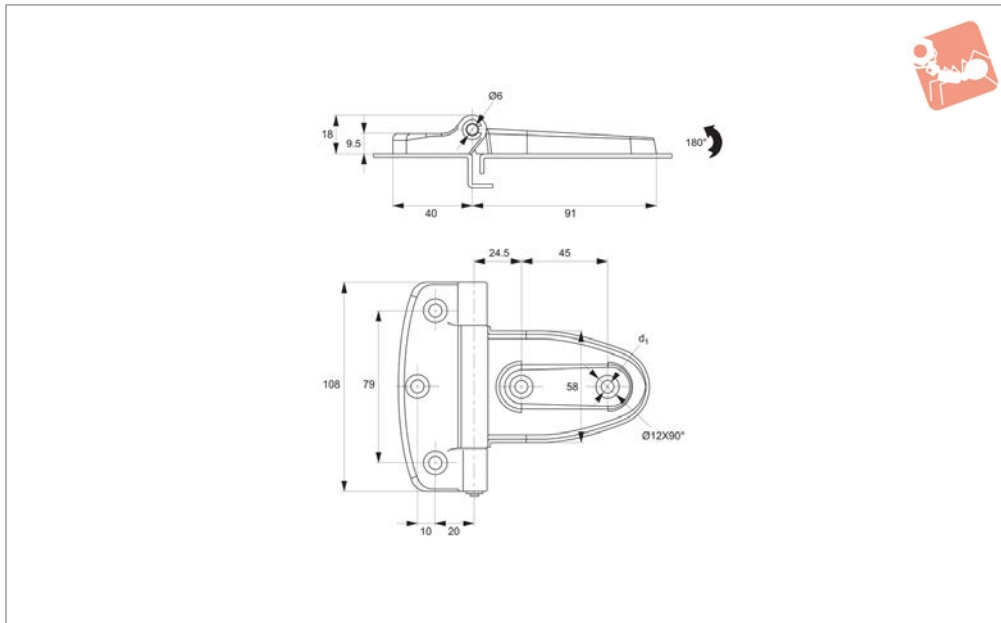


Surface Mount - HVAC Applications

screw mount - polyamide



Hinges



S1826

HINGES

Material

Hinge: polyamide (PA), black.
Pin: stainless steel AISI 304, nickel plated.

Technical Notes

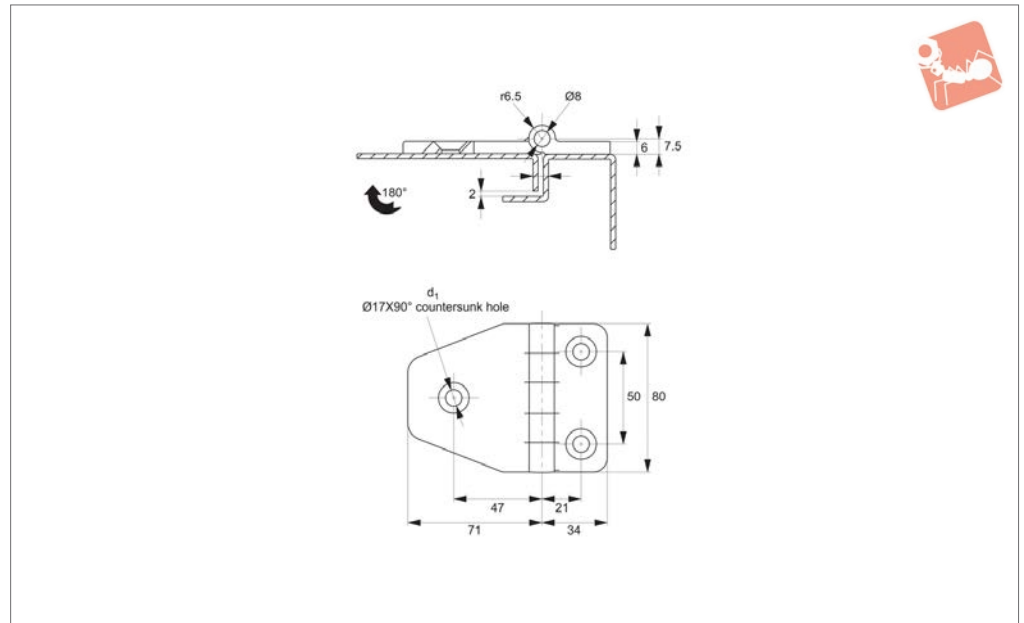
Opening angle 180°. Ideal for heating and ventilation applications, for use on flat panels and covers.

Mounting via M6 screws.

Order No.	Finish	Size	F_x N	F_y N	d_1	Opening angle
S1826.AW0010	Black Polyamide	108 x130	800	600	6.5	180°



S1828



Material

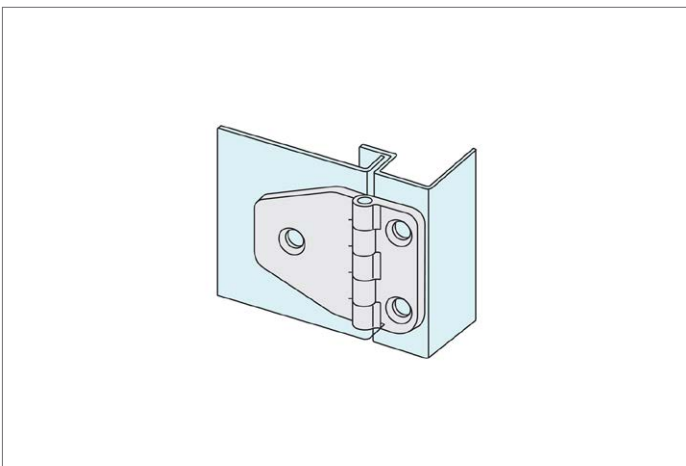
Polyamide plastic (PA), black.
Pin: steel, zinc plated.

Technical Notes

Opening angle 180°. Ideal for heating and ventilation apps, for use on flat panels and

covers. Mounting via M8 screws (not supplied).

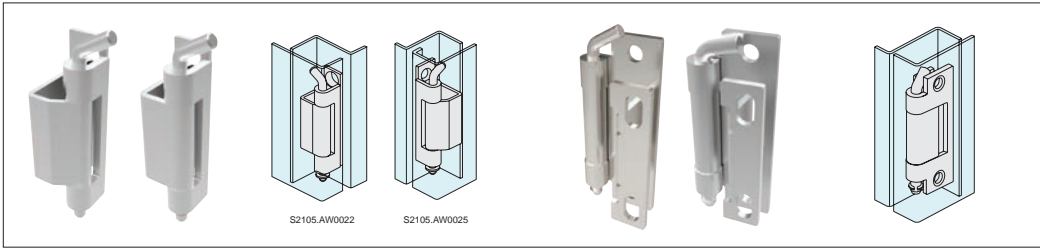
Order No.	Finish	Size	F _x N	F _y N	d ₁	Opening angle
S1828.AW0080	Black plastic	80 x 105	800	600	9	180°



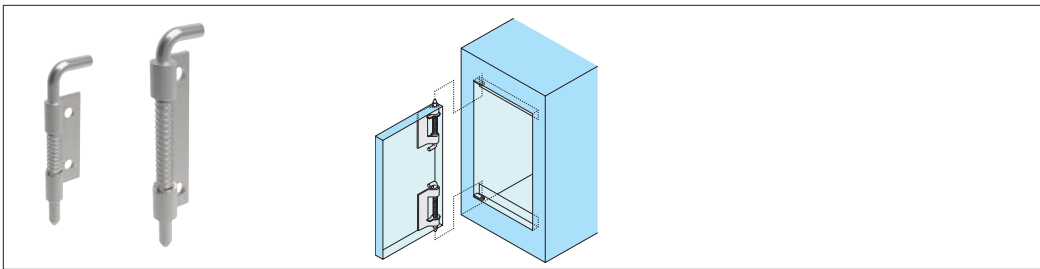


For added security or a sleek enclosure design, concealed hinges offer the solution with mounting discreetly hidden away from view to avoid tampering.

Concealed hinges



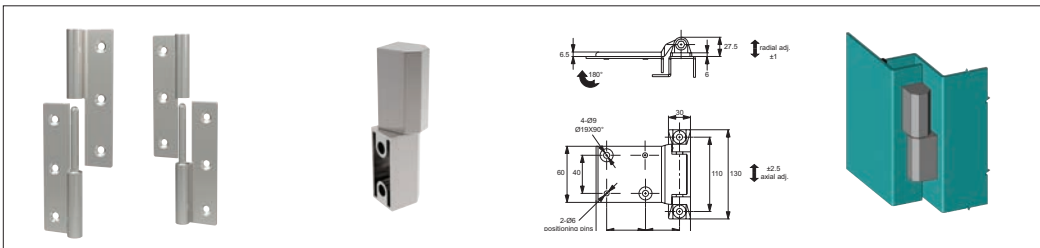
Concealed pivot hinges



End mount concealed pivot hinges

Door removal or lift-off hinges simplify removal of covers and panels to ease access for maintenance and repair, available in a selection of materials.

Door removal hinges



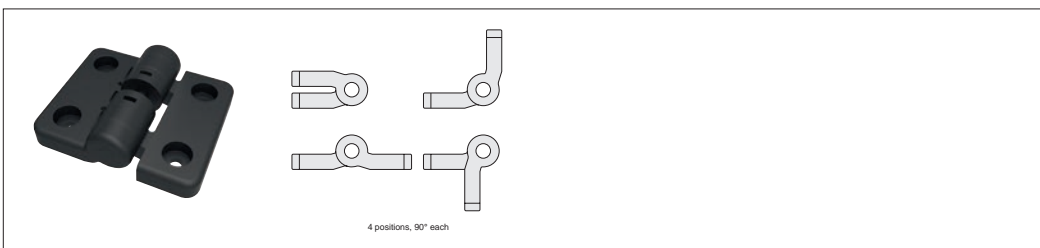
Lift off hinges

Torque and positioning hinges offer positive location of panels, screens and displays using constant friction for a firm hold.

Torque and positioning hinges



Constant torque hinges



Detent positioning hinges

HINGES

ov-W50050-A-T-W51828-A-T-wide-range-of-solutions-rmh - Updated - 01-11-2022



Left or right type: Which do you need?

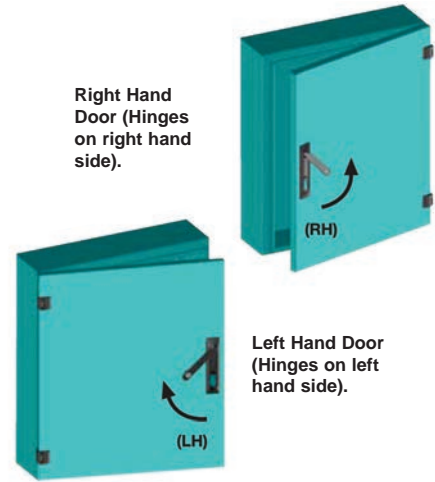
Wixroyd have a diverse range of hinges to suit most industrial applications in a wide range of materials and finishes.

Throughout our catalogue we refer to parts as being of a "Left" or "Right" type or hand. Which type you need, is most easily explained as follows;

Orientate your application so that when opened the door/panel comes towards you. With this orientation in mind, look to see on which side of the door/panel the hinges are mounted?

If the hinges are on the left side of the door/panel then you require "Left" type products. If the hinges are on the right side of the door/panel then you require "Right" type products.

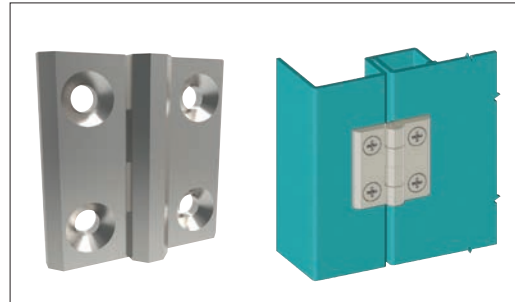
The illustration on the right clearly indicates the layout and orientation of the door where a "left" or "right" product is used.



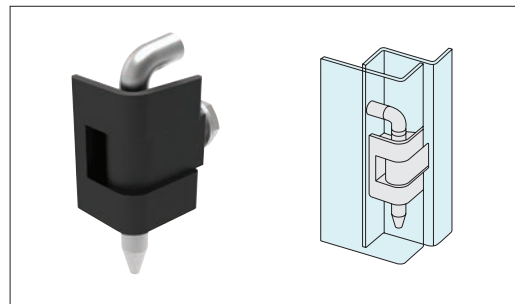
Hinges

External hinges

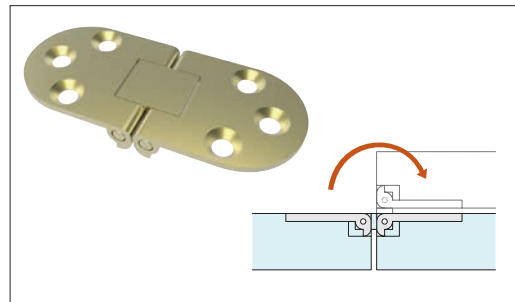
External or surface mount hinges have a wide range of application on electrical panels, sheet metal enclosures, generators and heating and venting applications.



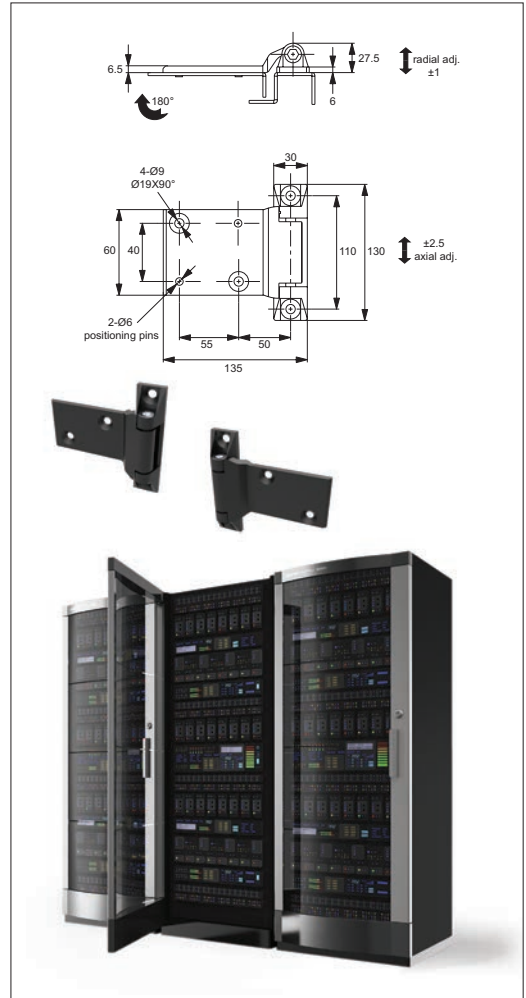
Surface mount hinges



Corner hinges



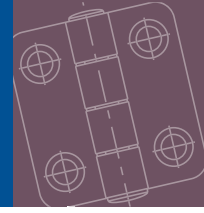
Flush mount hinges



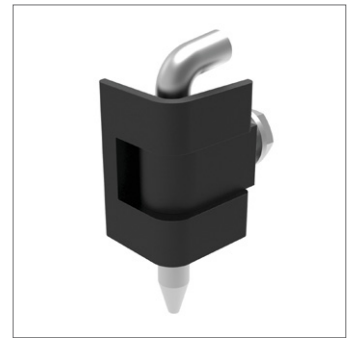
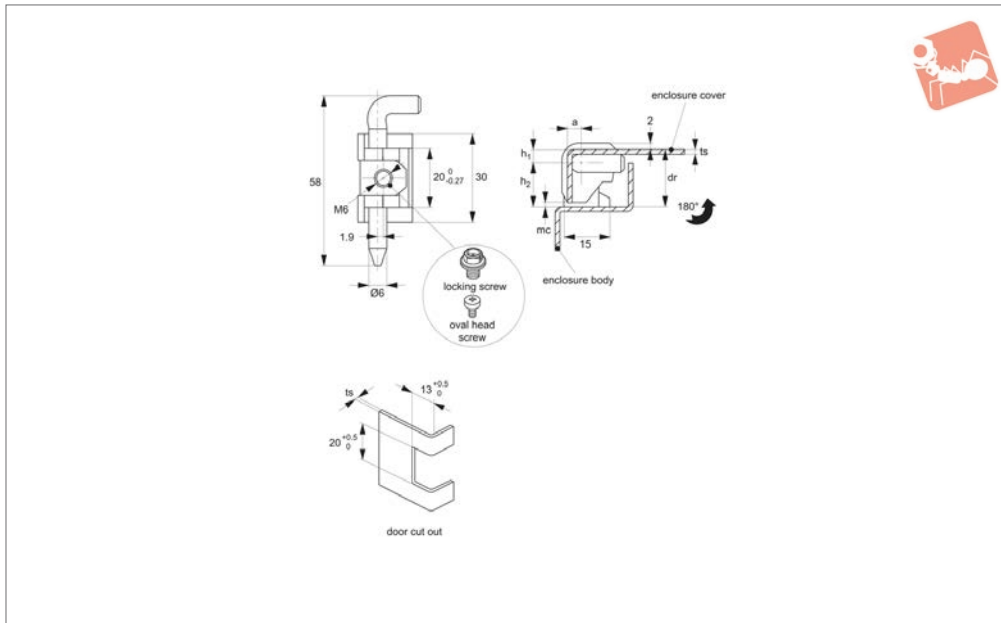
Surface mount hinges



Corner Hinge - 19-24mm Door Return cut out and locking screw - zinc



Hinges



S1901

HINGES

Material

Hinge: die cast zinc, black powder coated.
Pin: steel, nickel plated.

Technical Notes

Opening angle 180°. For sheet metal and machine enclosures with 19-24mm door

return and panel thickness 1,5 to 2,0mm.
See installation cut out for details.

Tips

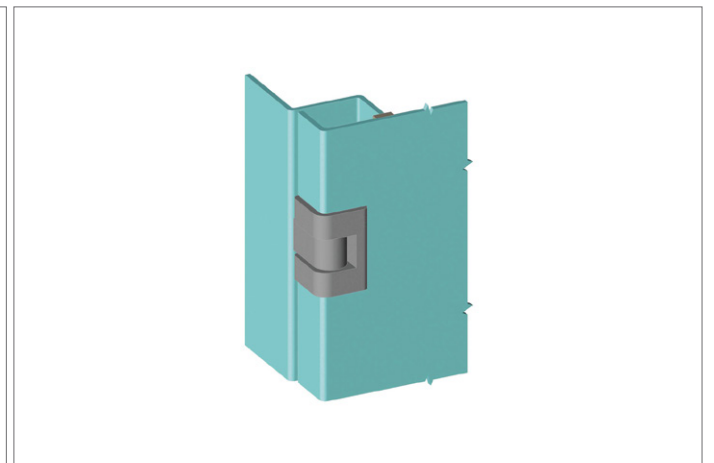
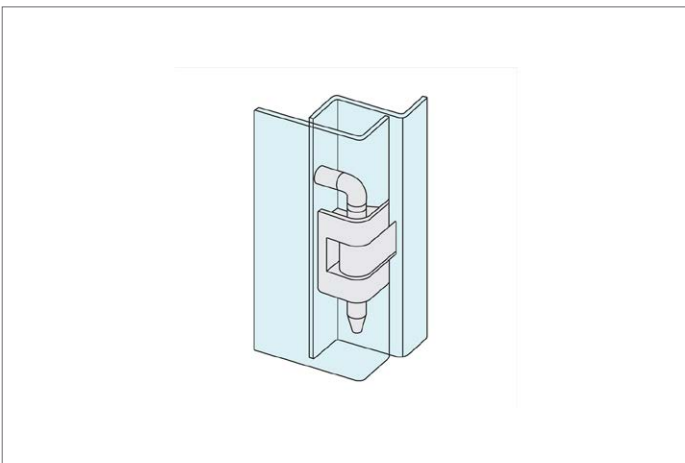
Mounting via M6 locking screw locking screw (not supplied).

Important Notes

dr= Maximum door return suitable for use with hinge.

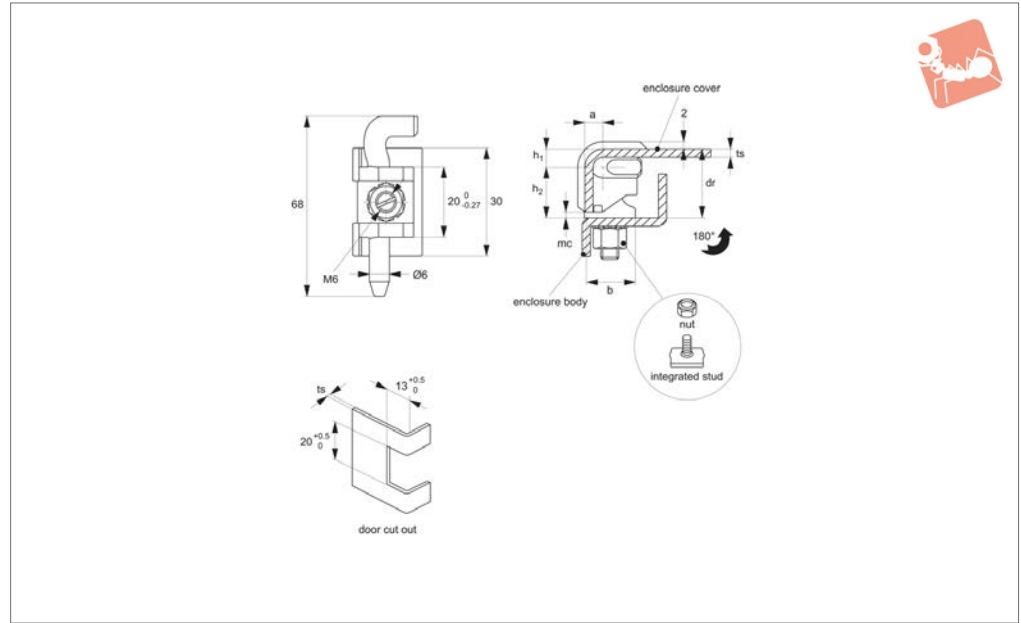
mc= Minimum clearance advised between enclosure cover and body to ensure smooth, full opening of enclosure cover.

Order No.	Finish	Door return	h_1	h_2	F_x N	F_y N	mc min.	ts panel thickness
S1901.AW0015	Black Coated	19.6	4.6	15	940	720	2	1.5
S1901.AW0017	Black Coated	21.6	4.6	17	940	720	2	1.5
S1901.AW0019	Black Coated	23.6	4.6	19	940	720	2	1.5
S1901.AW0025	Black Coated	21.1	5.1	15	425	225	2	2.0
S1901.AW0027	Black Coated	22.1	5.1	17	425	225	2	2.0
S1901.AW0029	Black Coated	24.1	5.1	19	425	225	2	2.0
S1901.AW0999	Oval Head Screw	-	-	-	-	-	-	-





S1903



Material

Hinge: stainless steel AISI 304, wire-drawing polishing.

Technical Notes

For sheet metal and machine enclosures with a 19 to 21mm door return, up to 2mm thick. For installation dimension see cut

out detail.

Universal left or right hand opening doors. Max. opening angle 180°.

Tips

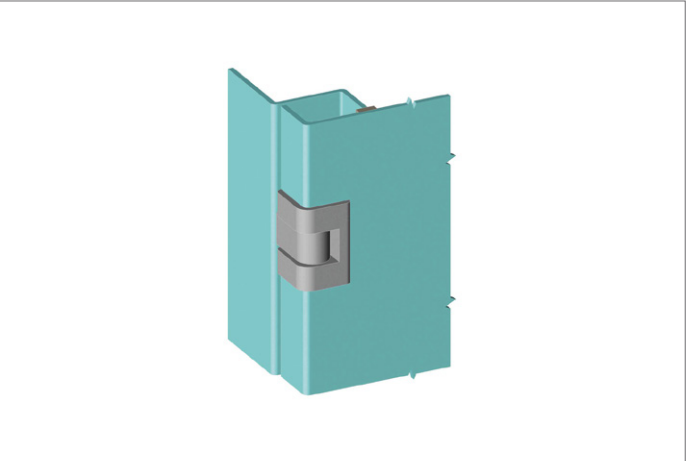
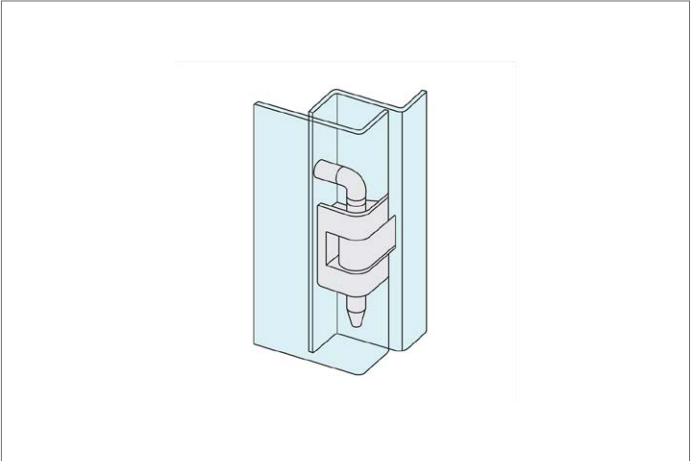
Use M6 nut on intergrated stud to secure (not supplied).

Important Notes

dr= Maximum door return suitable for use with hinge.

mc= Minimum clearance advised between enclosure cover and body to ensure smooth, full opening of enclosure cover.

Order No.	Finish	Door return	h_1	h_2	F_x kN	F_y kN	mc min.	ts panel thickness
S1903.AW0015	Stainless	19.6	4.6	15	900	700	2	1.5

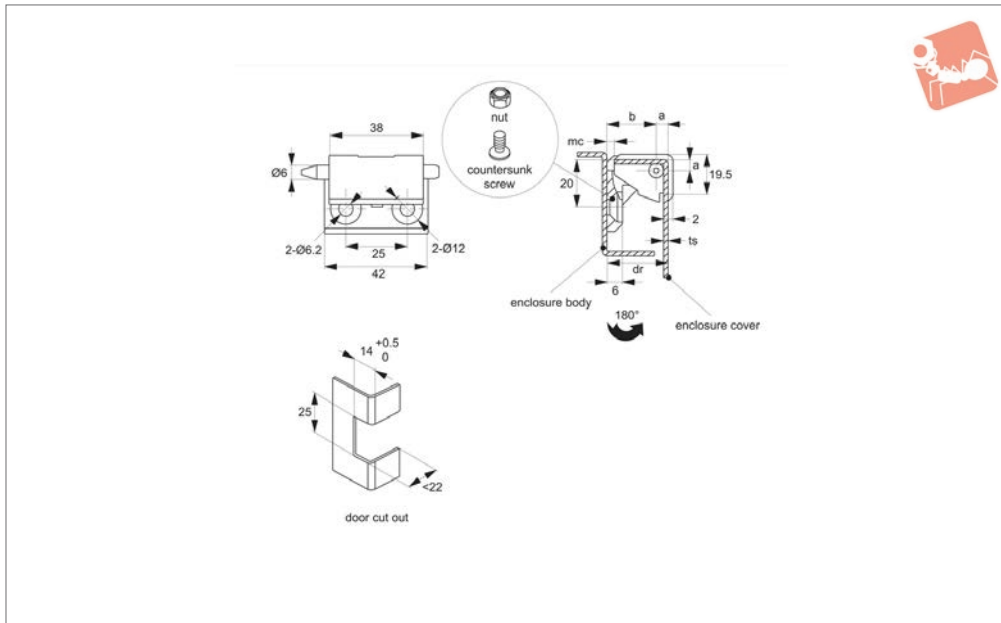




Corner Hinge - 24 to 26mm Door cut out and counter sunk screw - zinc



Hinges



S1911

HINGES

Material

Hinge: die cast zinc, black powder coated.
Pin: steel, nickel-plated.

Technical Notes

For sheet metal and machine enclosures with a 24 to 26mm door return up to 3mm

thick. For installation dimension see cut out detail.

Mounting via M6 screws.

Universal left or right hand opening doors.

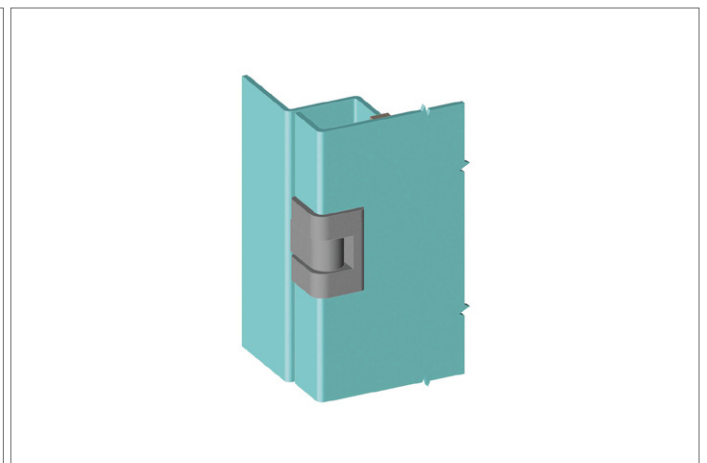
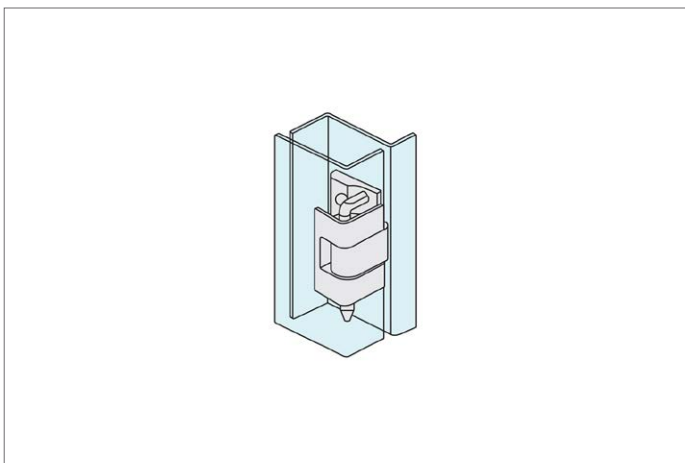
Max. opening angle 180°.

Important Notes

dr= Maximum door return suitable for use with hinge.

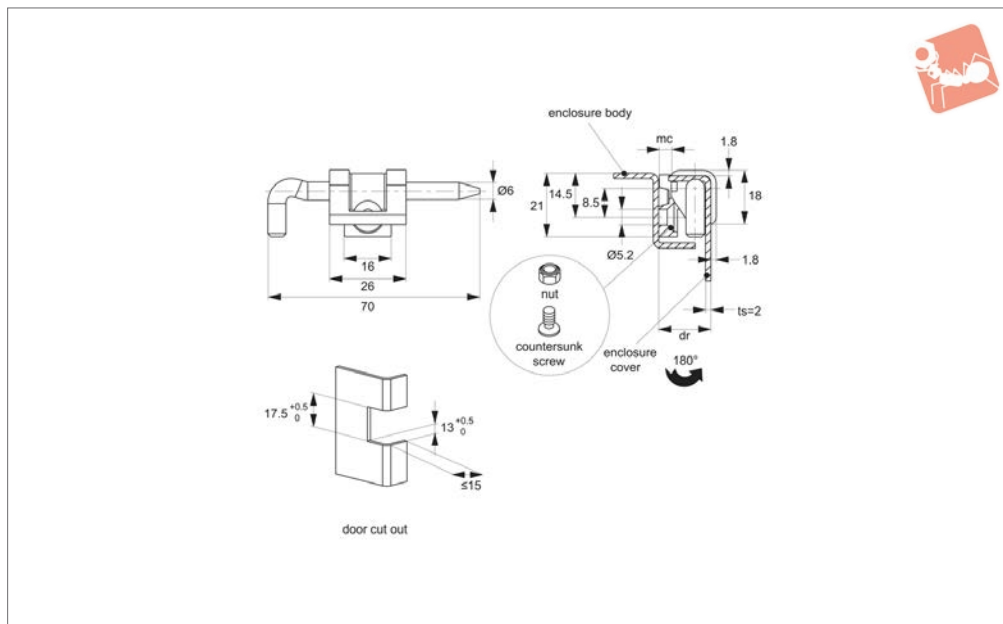
mc= Minimum clearance advised between enclosure cover and body to ensure smooth, full opening of enclosure cover.

Order No.	Finish	Door return	a	b	F_x N	F_y N	mc min.	ts panel thickness
S1911.AW0001	Black coated	24.1	4.6	20	1050	980	3	1.5
S1911.AW0002	Black coated	25.1	5.1	20	1050	980	3	2.0
S1911.AW0003	Black coated	26.1	6.1	20	1050	980	3	3.0





S1921



Material

Hinge: die cast zinc, black powder coated.
Pin: stainless steel AISI 304.

Technical Notes

For sheet metal and machine enclosures with a 17mm door return, upto 2mm thick.
For installation dimension see cut out

detail.

Universal left or right hand opening doors.
Max. opening angle 180°.

Tips

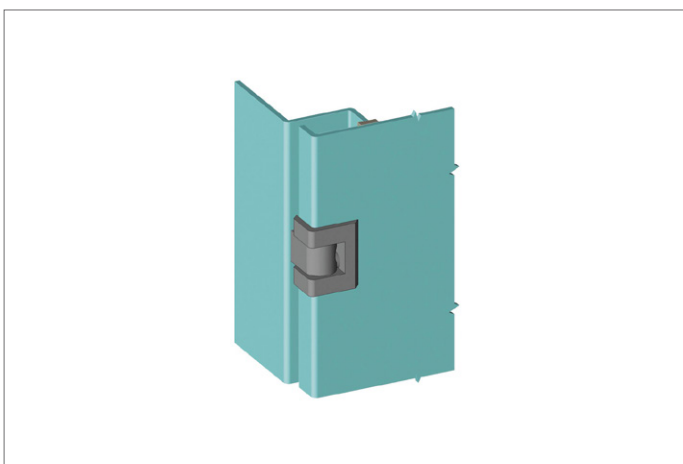
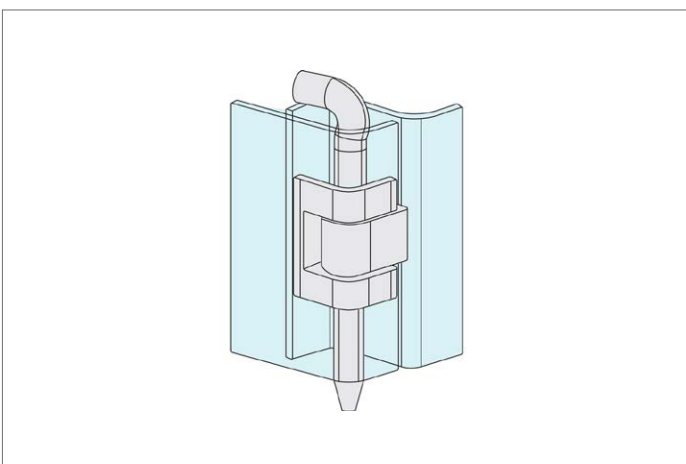
Mounting via M5 countersunk screws (not supplied).

Important Notes

dr= Maximum door return suitable for use with hinge.

mc= Minimum clearance advised between enclosure cover and body to ensure smooth, full opening of enclosure cover.

Order No.	Finish	Door return	F_x N	F_y N	mc min.	ts panel thickness
S1921.AW0010	Black coated	17	405	805	2	2.0

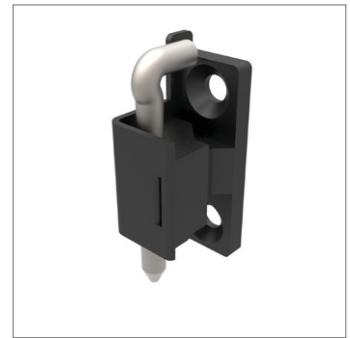
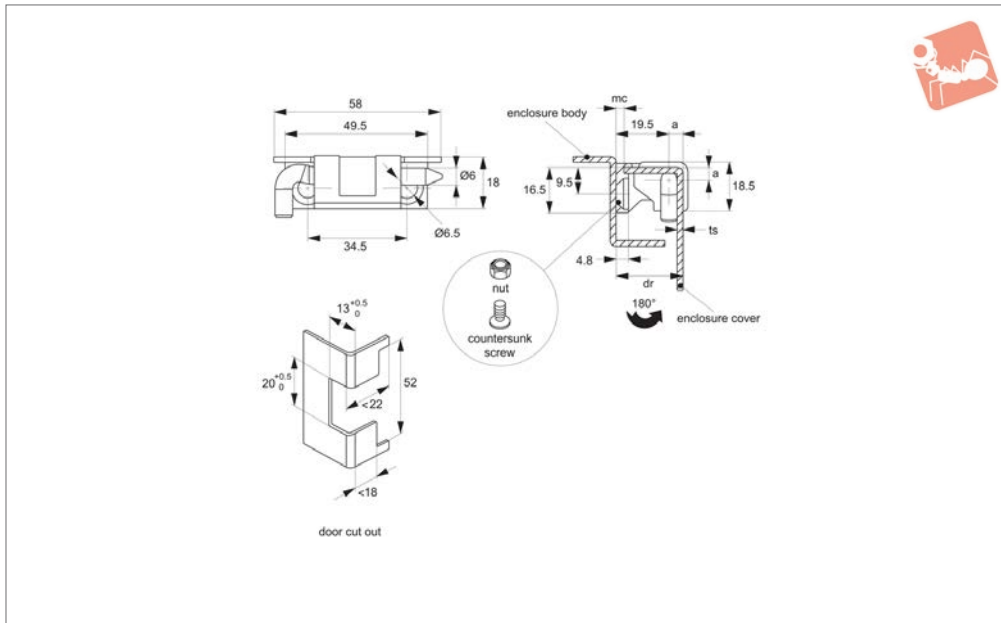




Corner Hinge - 24mm Door Return cut out and countersunk screw - zinc



Hinges



S1926

HINGES

Material

Hinge: die cast zinc, black powder coated.
Pin: steel, nickel-plated.

Technical Notes

For sheet metal and machine enclosures with a 24mm frame off-set, upto 2mm thick. For installation dimension see cut

out detail.

Universal left or right hand opening doors.
Max. opening angle 180°.

Tips

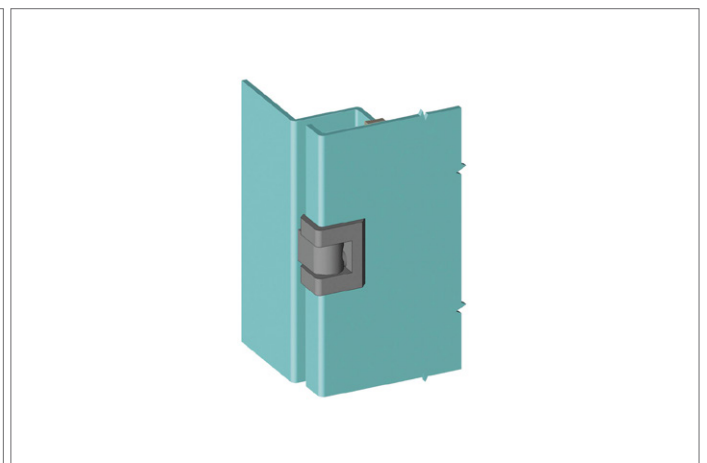
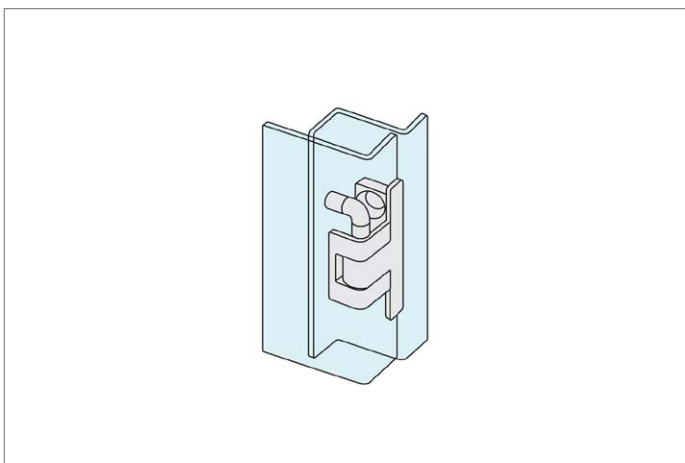
Mounting via M6 countersunk screws (not supplied).

Important Notes

dr= Maximum door return suitable for use with hinge.

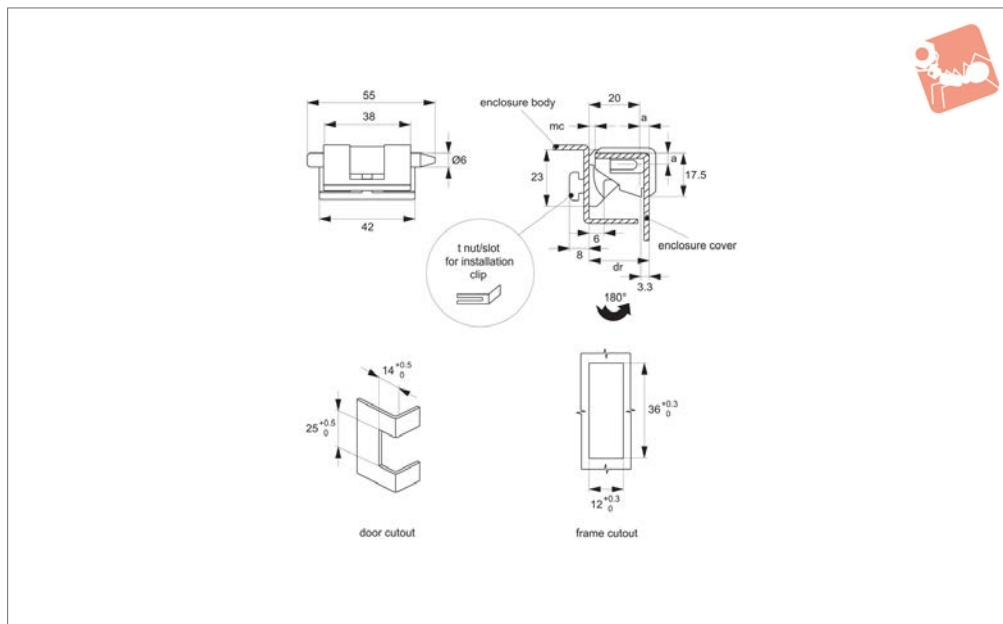
mc= Minimum clearance advised between enclosure cover and body to ensure smooth, full opening of enclosure cover.

Order No.	Finish	Door return	a	b	F_x kN	F_y kN	mc min.	ts panel thickness
S1926.AW0001	Black Coated	24.1	4.6	19.5	1.5	1.8	2.0	1.5
S1926.AW0002	Black Coated	24.6	5.1	19.5	1.5	1.8	2.0	2.0





S1928



Material

Hinge: die cast zinc, black powder coated.
Pin: steel, nickel-plated.

Technical Notes

Opening angle 180°.

Tips

Mounting via use of installation clip and

„t-nut“ slot on hinge body. Requires additional cutout in frame (see technical drawing).

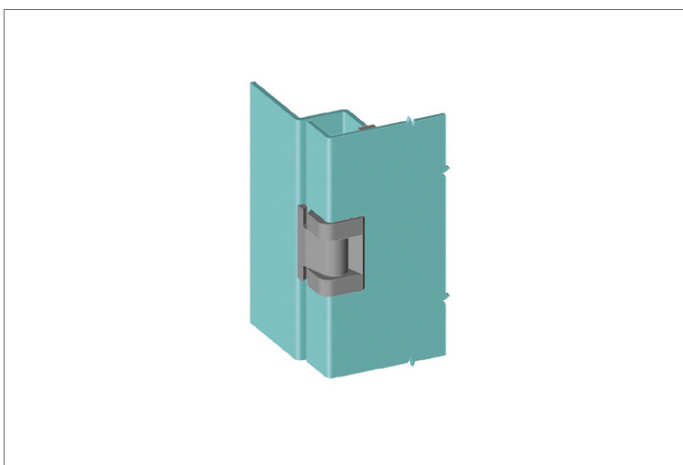
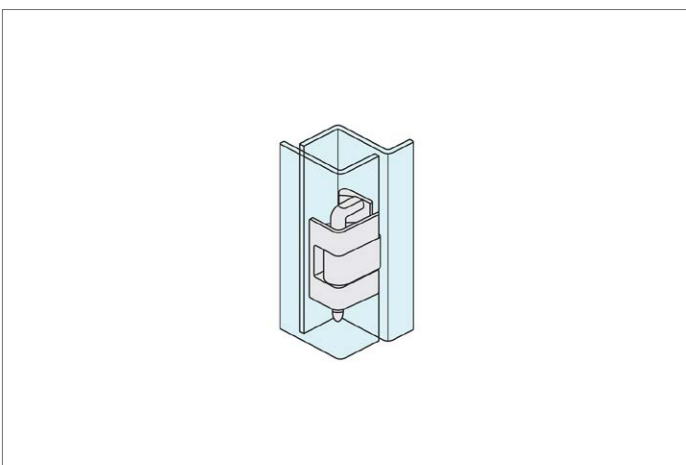
Important Notes

dr= Maximum door return suitable for use with hinge.

mc= Minimum clearance advised between

enclosure cover and body to ensure smooth, full opening of enclosure cover.

Order No.	Finish	Door return	a	b	F _x N	F _y N	mc min.	ts panel thickness
S1928.AW0001	Black Coated	24.6	4.6	20	1050	980	3	1.5
S1928.AW0002	Black Coated	25.1	5.1	20	1050	980	3	2.0
S1928.AW0003	Black Coated	26.1	6.1	20	1050	980	3	3.0



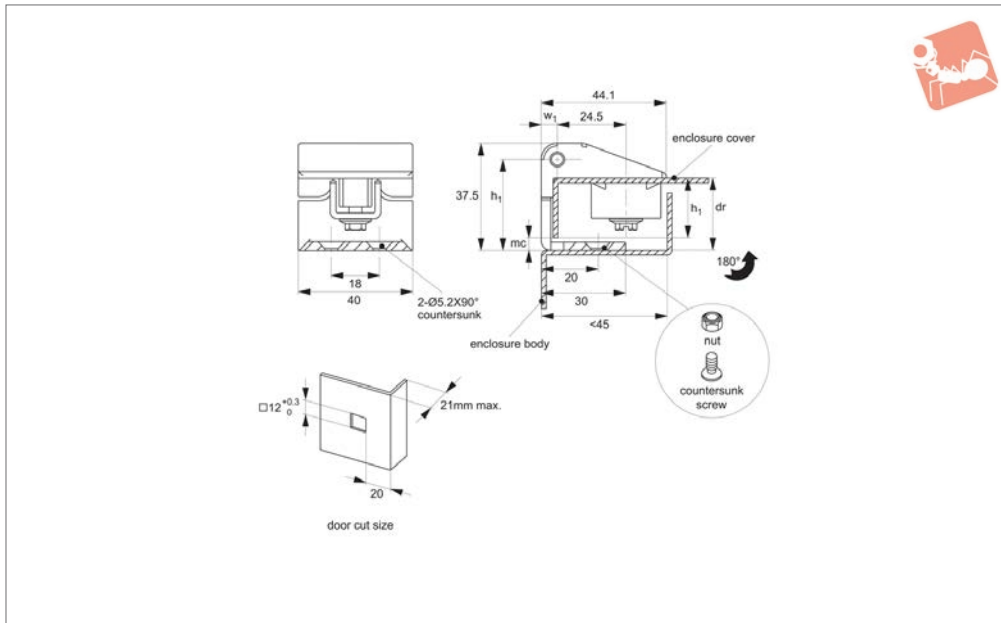


Corner Hinge 25,5mm Door Return

cut out and countersunk screw - zinc



Hinges



S1941

HINGES

Material

Door-part: die cast zinc, black coated.
 Frame-part and pin: steel, black coated.

Technical Notes

For sheet metal and machine enclosures with a 25,5mm door return, up to 2mm

thick. For installation dimension see cut. Universal left or right hand opening doors. Max. opening angle 180°.

Tips

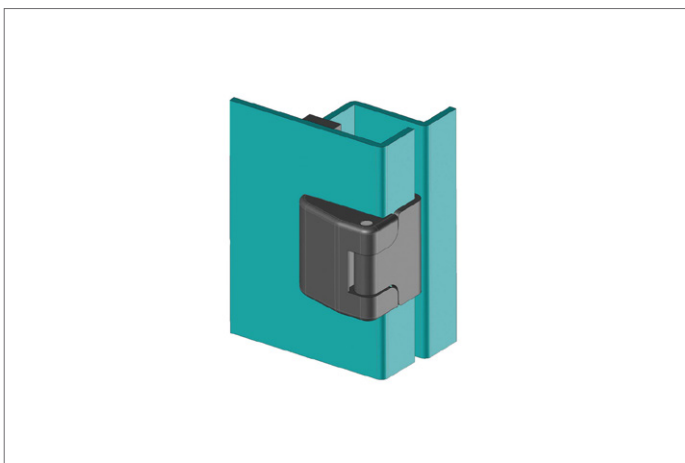
Mounting via M5 countersunk screws (not supplied), and support bracket (supplied)

Important Notes

dr= Maximum door return suitable for use with hinge.

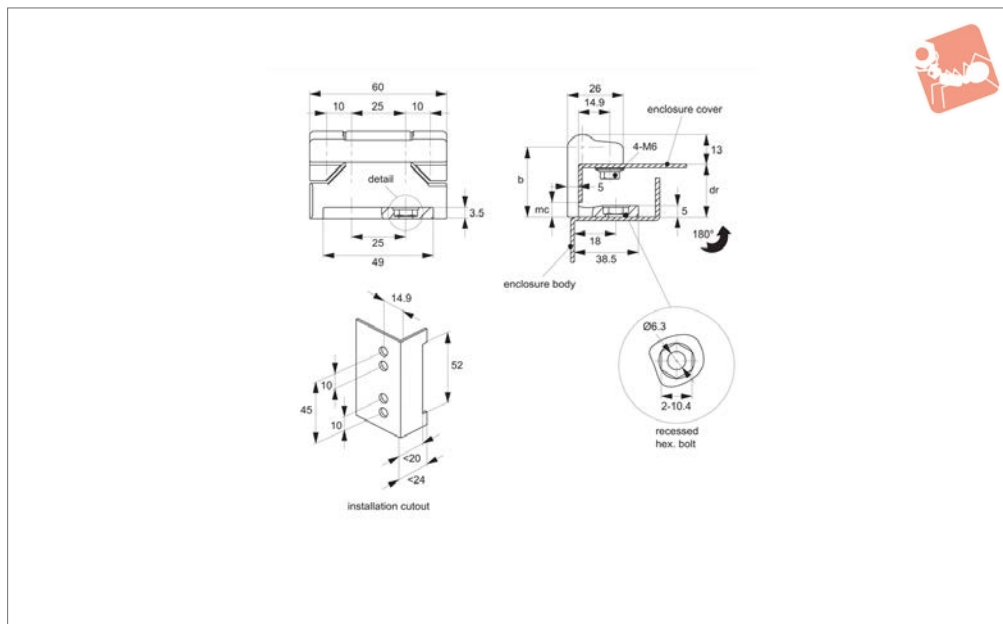
mc= Minimum clearance advised between enclosure cover and body to ensure smooth, full opening of enclosure cover.

Order No.	Finish	Door return	h_1	w_1	F_x N	F_y N	mc min.	ts panel thickness
S1941.AW0010	Black Coated	25.5	32	5.6	300	250	4	2





S1942



Material

Hinge: die cast zinc, black powder coated.
Pin: steel, black-plated.
Bearing washer: brass.

Technical Notes

For sheet metal and machine enclosures with a 25,5mm door return, up to 2mm

thick. For installation dimension see cut.
Universal left or right hand opening doors.
Max. opening angle 180°.

Tips

Mounting via M6 bolts with hex head of 10mm a/f (not supplied).

Important Notes

DR= Maximum door return suitable for use with hinge.
MC= Minimum clearance advised between enclosure cover and body to ensure smooth, full opening of enclosure cover.

Order No.	Finish	Door return	a	b	F _x N	F _y N	mc min.	ts panel thickness
S1942.AW010	Black Coated	25	5.6	32	980	630	5	2

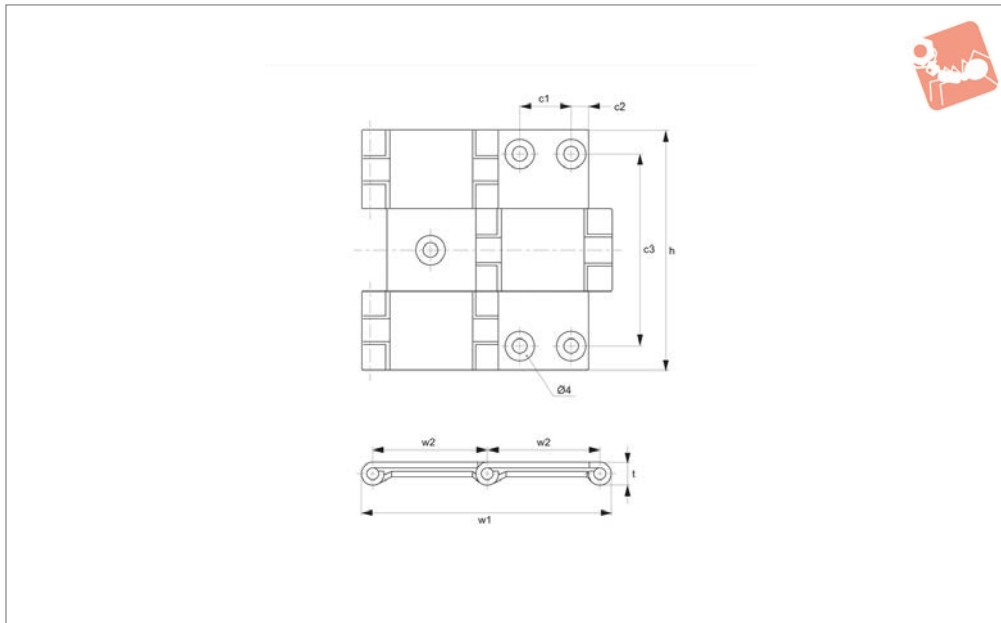


Surface Mount - Double Pivot

screw mount - stainless steel



Hinges



S2010

HINGES

Material

Stainless steel, AISI 304, satin finish.

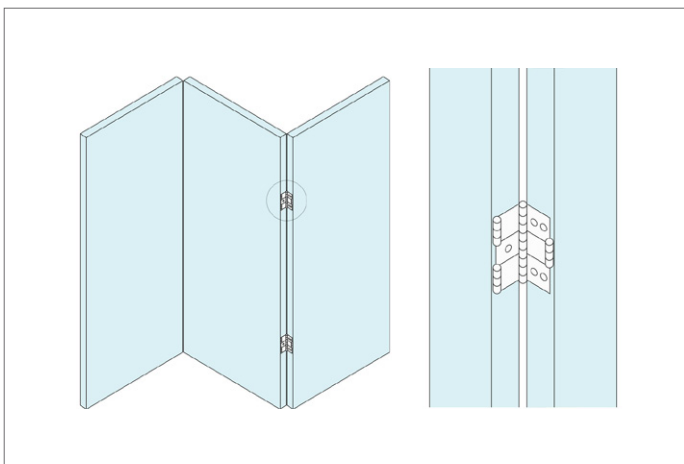
Max. door size - 450w x 700h x 21mm

thick. Max. door weight - 2,6Kg per hinge pair.

Technical Notes

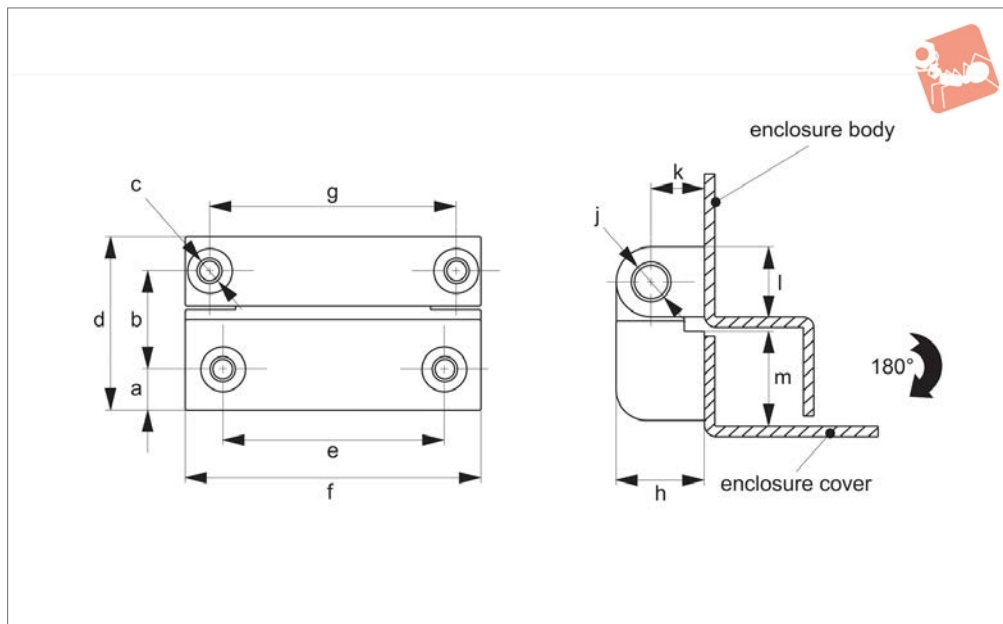
Universal left and right swing of 180°.

Order No.	c ₁	c ₂	c ₃	t	w ₁	w ₂	y	Weight g
S2010.AC0060	13.5	4.8	47	5.6	64	29.0	60	65
S2010.AC0070	13.5	6.8	57	7.5	78	35.0	70	130
S2010.AC0080	22.0	6.5	66	7.5	94	43.2	80	175





S2015



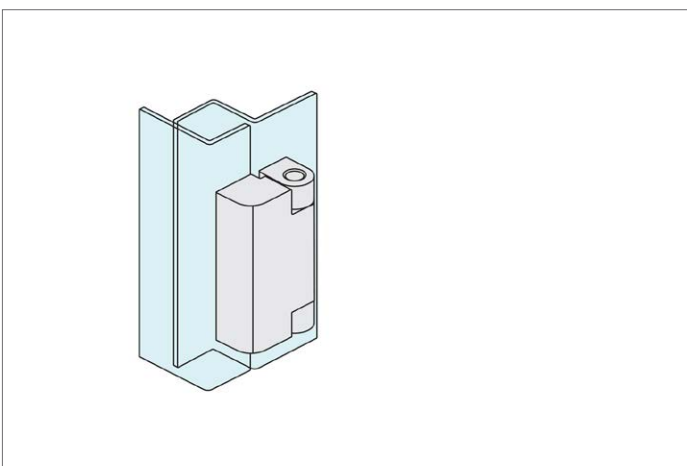
Material

Hinge: die cast zinc, black powder coated.
Pin: steel, nickel-plated.

Technical Notes

Opening angle 180°. Mounting via screws
dimension c.

Order No.	a	b	c	e	g	h	l	j	k	m	f	F_x N	F_y N	d
S2015.AW0022	4	13.0	M 4	22	22	13	10	Ø5	8	9.0	30	600	460	22.0
S2015.AW0028	4	18.5	M 4	22	22	13	10	Ø5	8	14.5	30	700	800	27.5
S2015.AW0035	8	20.0	M 5	45	50	18	14	Ø8	11	18.0	60	1000	1200	35.0



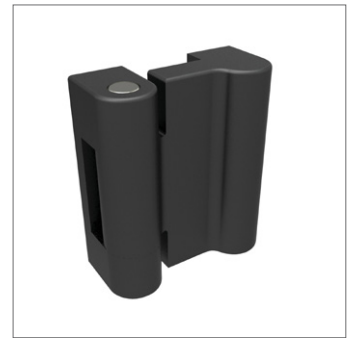
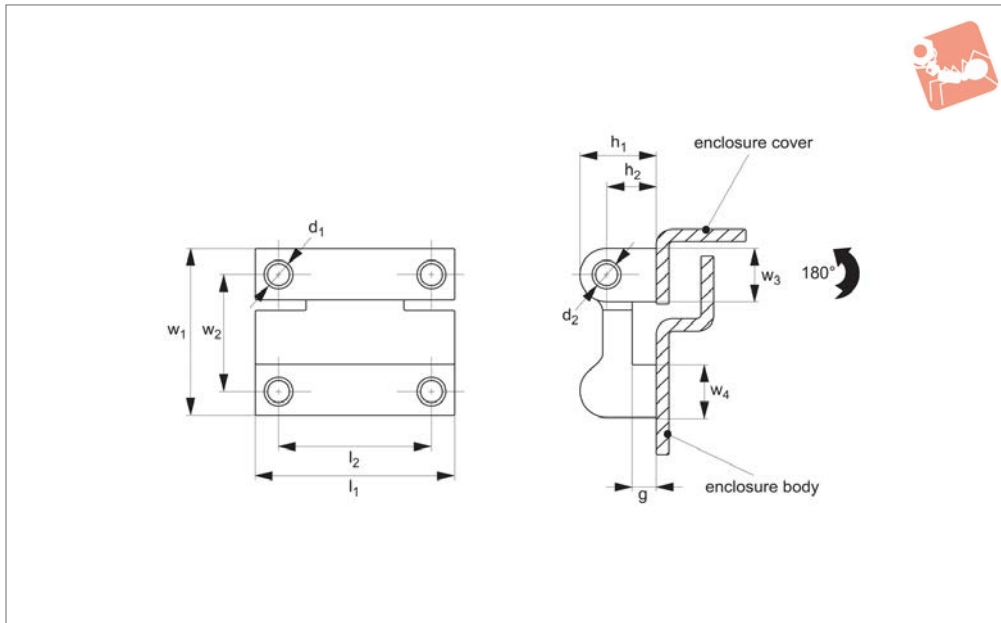


Surface Mount - Off-Set - Mount

bolt-on - zinc



Hinges



S2017

HINGES

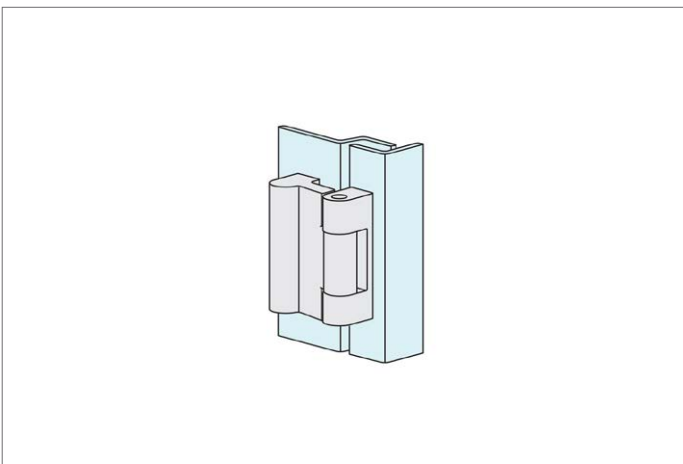
Material

Body: die cast zinc, black powder coated.
Pin: steel, nickel plated.

Technical Notes

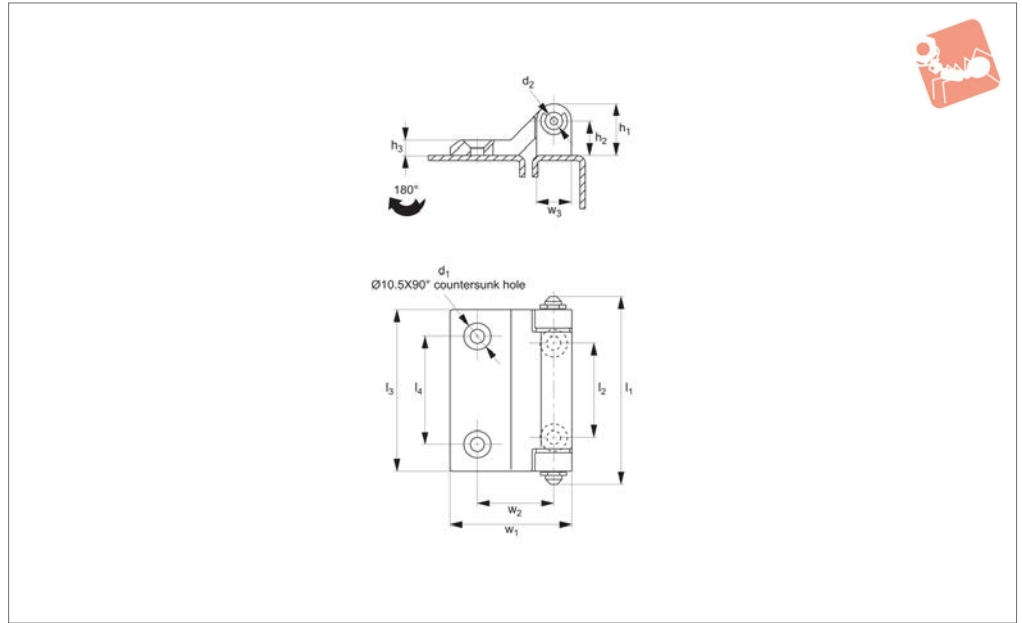
Opening angle 180°. Mounting via M4 screws.

Order No.	Finish	h_1	h_2	l_1	l_2	w_1	w_2	w_3	w_4	F_x N	F_y N	d_1	d_2	g off set
S2017.AW0030	Black Powder Coated	11.5	7.5	30	23	26	18	8	8	1150	700	M 4	4	3.5





S2030



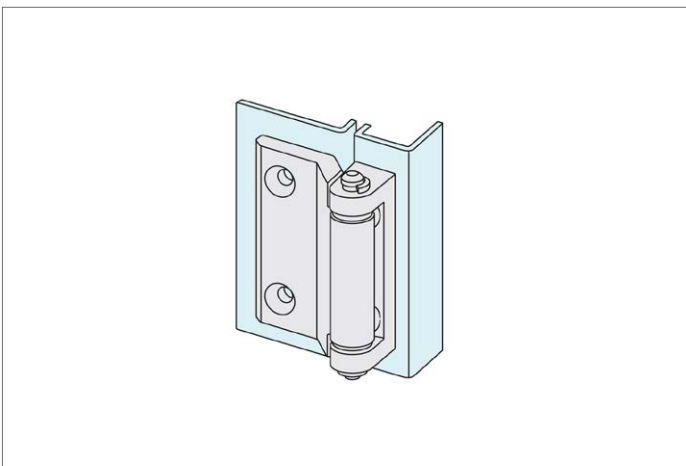
Material

Body: die cast zinc, black powder coated.
Pin: steel, nickel plated.

Technical Notes

Opening angle 180°. Mount via M5 screw
(not supplied).

Order No.	Finish	h_1	h_2	h_3	l_1	l_2	l_3	l_4	w_1	w_2	w_3	F_x N	F_y N	d_1	d_2
S2030.AW0030	Black Coated	18	13	6	70	35	60	40	45	28.7	13	55	75	5.5	6.5



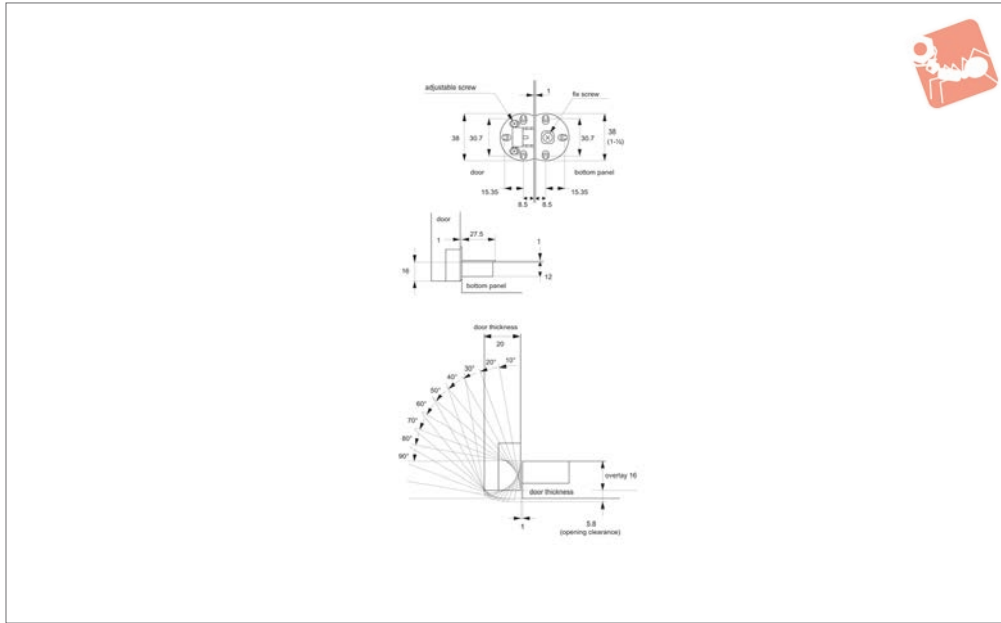


Flush Mount - Drop Lid Hinges

overlay - zinc



Hinges



S2050

HINGES

Material

Die cast zinc, nickel plated.

Technical Notes

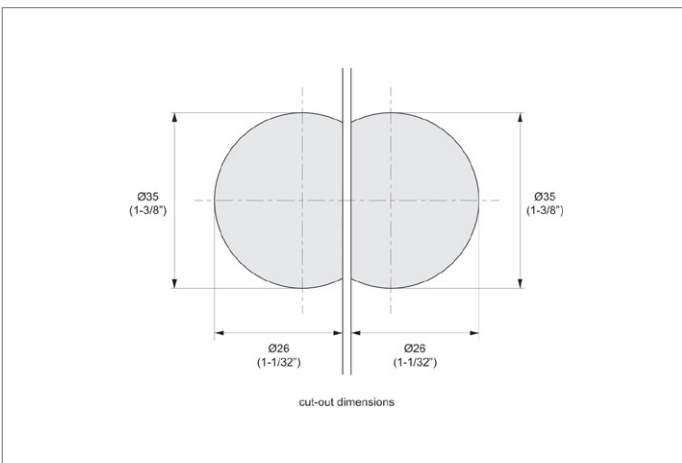
Hinge flush when opened.

Max door thickness: 16-20mm. Overlay coverage: 14-16mm.
Hinge alignment adjustable after installation. Max. opening angle 90°.

Important Notes

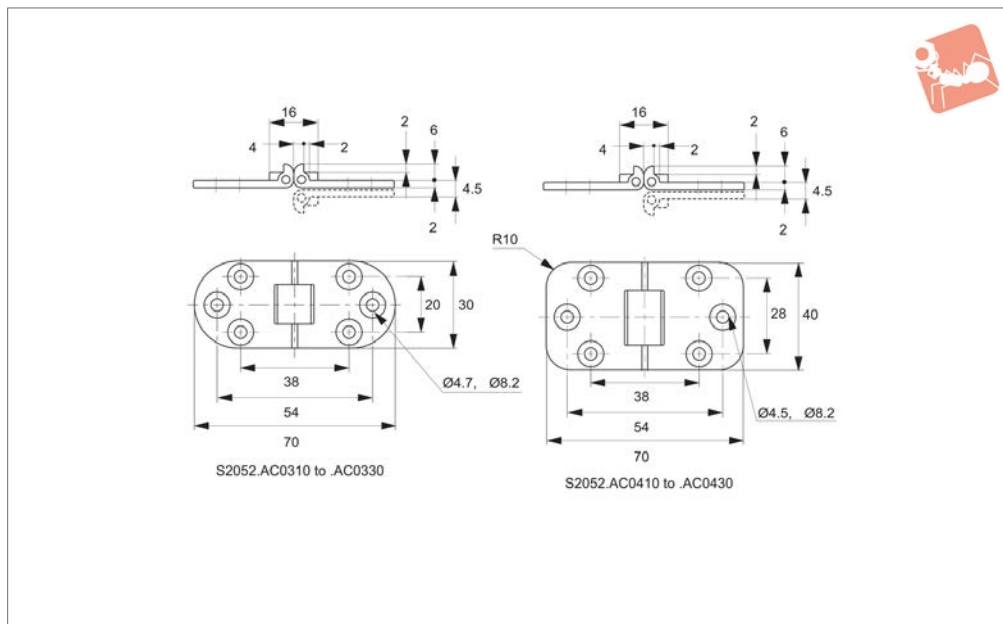
Ideal for use in hi-fi cabinets, writing desks etc.

Order No.	Door thickness max.	Hinge dia.	Weight g
S2050.AC0038	16-20mm	38	79





S2052



Material

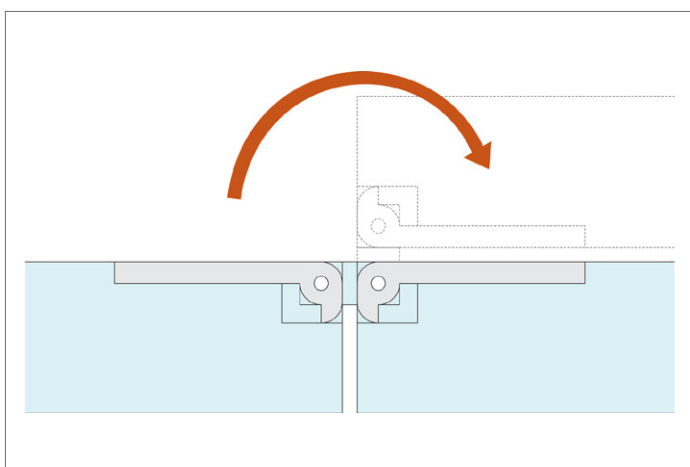
Brass, finished either as polished brass, satin nickel or chrome plating.

Technical Notes

Max. door size: 450w x 700h x 21mm thick.
Provides 180° opening to table tops and

flat surfaces.

Order No.	Finish	Size	Weight capacity per pair	
			kg max.	Weight g
S2052.AC0310	Satin Nickel	30	4.0	45
S2052.AC0320	Chrome	30	4.0	45
S2052.AC0330	Brass	30	4.0	45
S2052.AC0410	Satin Nickel	40	4.0	64
S2052.AC0420	Chrome	40	4.0	64
S2052.AC0430	Brass	40	4.0	64



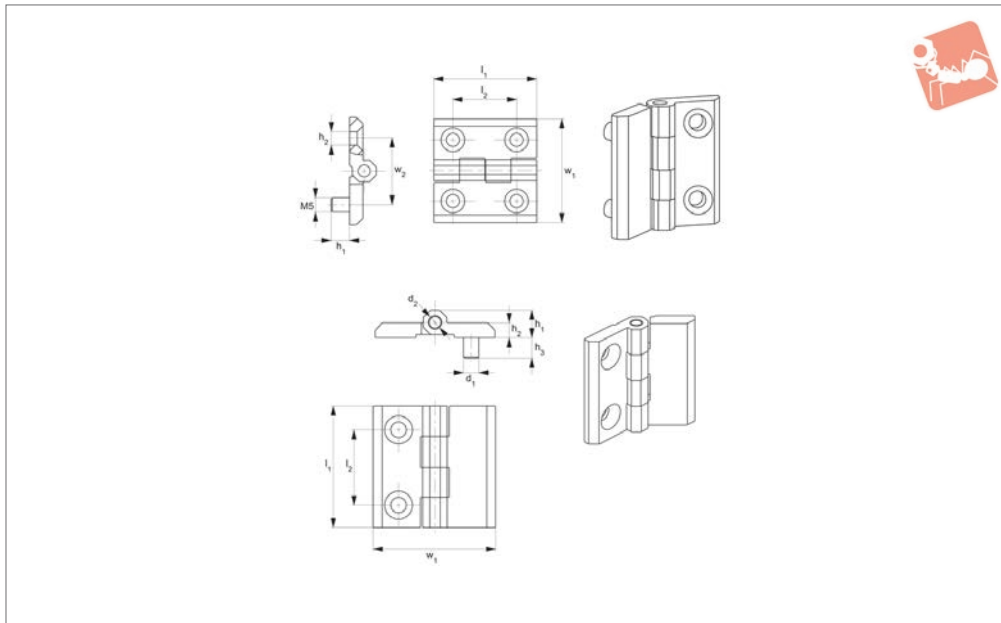


Surface Mount - Leaf Hinges

rear front mount



Hinges



S1102

HINGES

Material

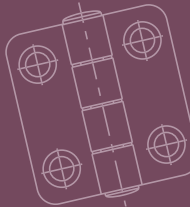
Die Cast Zinc, Black Powder Coated Pin: steel, nickel plated.
 Die Cast Zinc, Chrome Finish Pin: steel,

nickel plated.

Technical Notes

For plain/flush mounted doors, as well as electrical panels and covers.

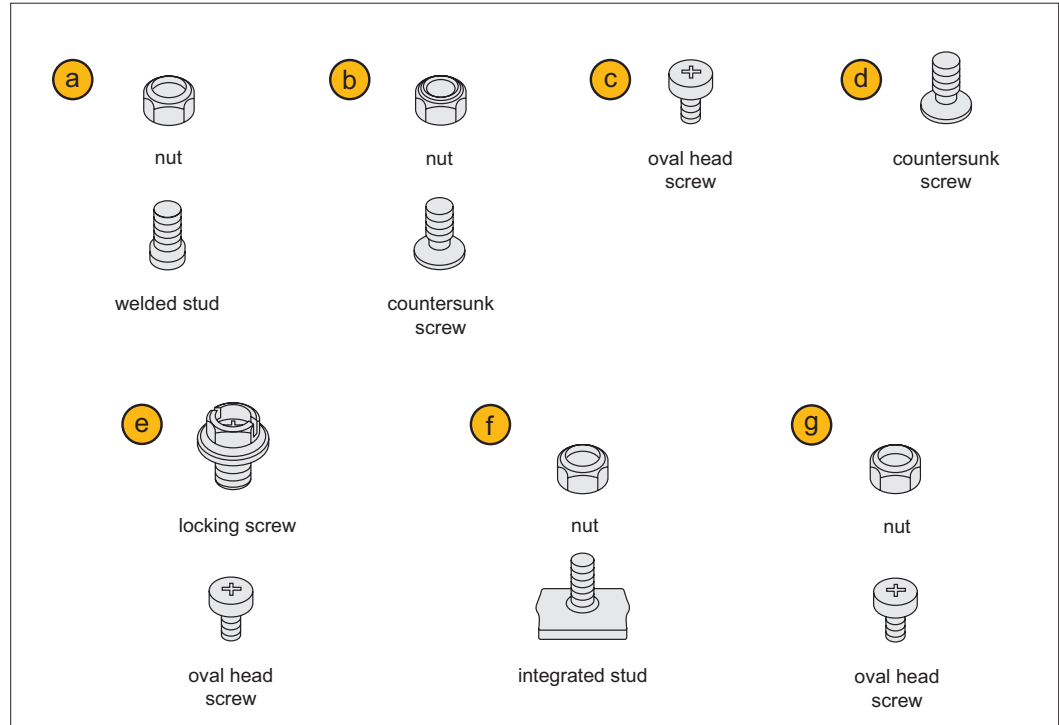
Order No.	Type	Size	h_1	h_2	h_3	l_1	l_2	w_1	w_2	d_1	d_2	90° Angled stress	Axial stress kN	Radial stress kN
S1102.AW0040	Black Coated	40x40	9.0	5	10.0	40	25	40	25	M 5	4	2.0	1.45	2.1
S1102.AW0050	Black Coated	50x50	11.5	6	12.5	50	30	50	30	M 6	6	2.45	2.1	3.5
S1102.AW0140	Chrome	40x40	9.0	5	10.0	40	25	40	25	M 5	4	-	-	-
S1102.AW0150	Chrome	50x50	11.5	6	12.5	50	30	50	30	M 6	6	-	-	-



A variety of mounting methods are available!

Mounting combinations

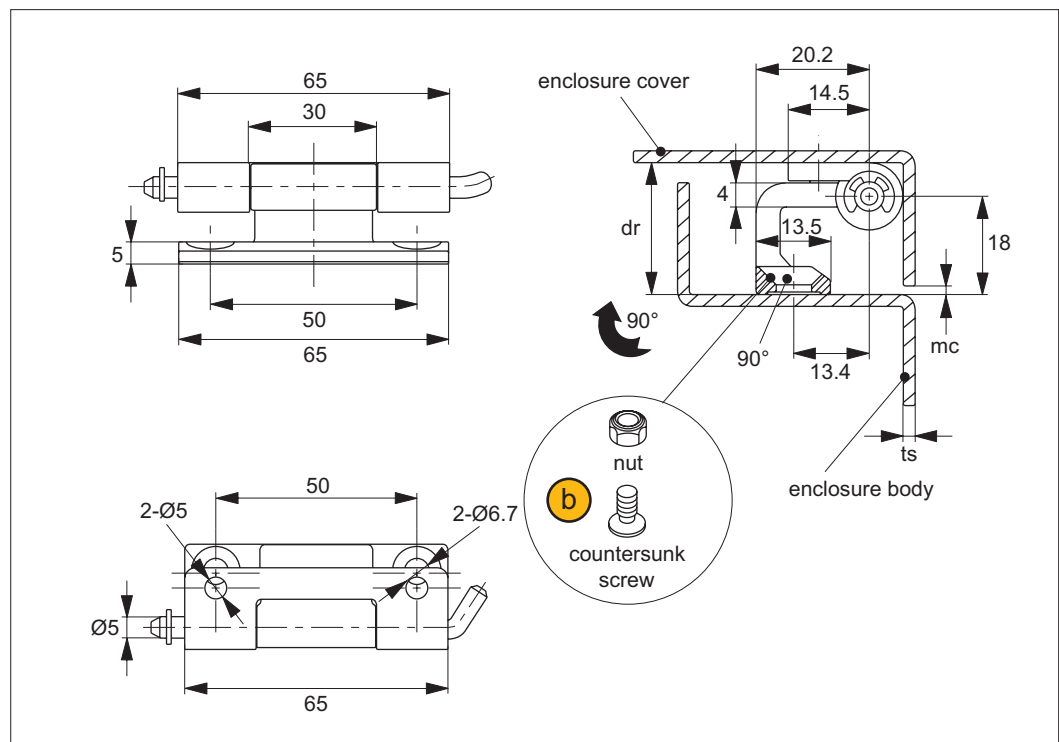
Wixroyd concealed hinges can be mounted in a variety of ways using additional nuts and bolts.



Important Note: Refer to individual product pages for suitable mounting options. If you have any problems please contact our Technical Sales Team.

Mounting example

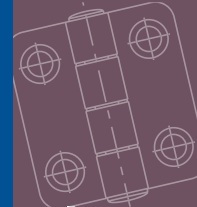
In the example, mounting option ②, a nut with a countersunk screw, is used to mount the hinge onto the enclosure body.



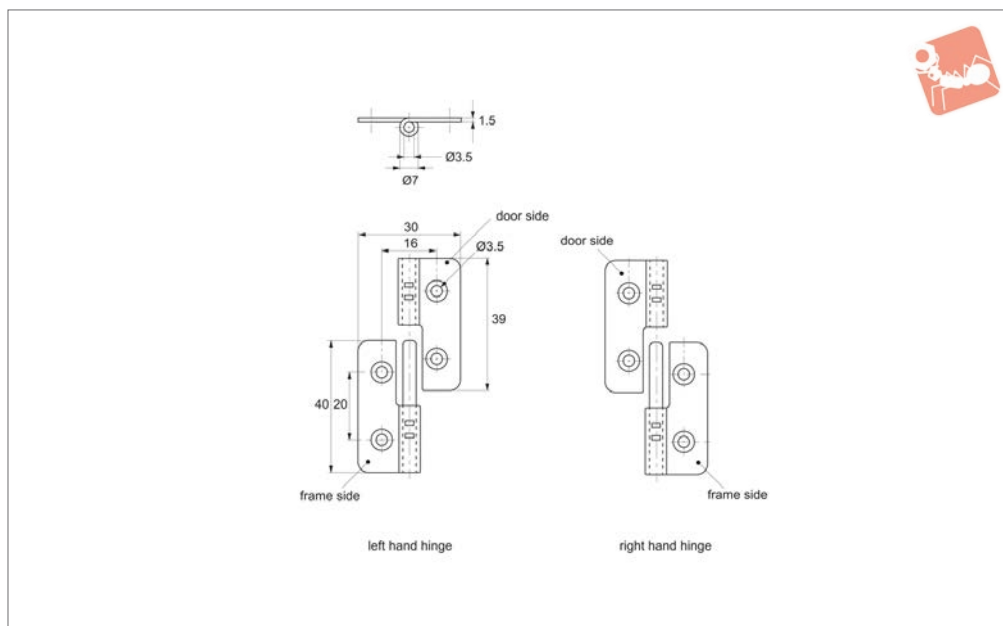


Lift-Off Hinges - Off-Set

screw mount - stainless steel



Hinges



S2300

HINGES

Material

Stainless steel, AISI 304, polished finish.

Important Notes

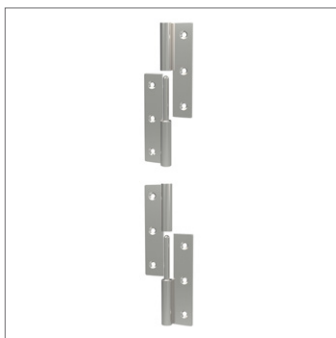
Product stamped with an „L“ does not

mean it is a left hand hinge - it fixes to the right hand part of the frame.

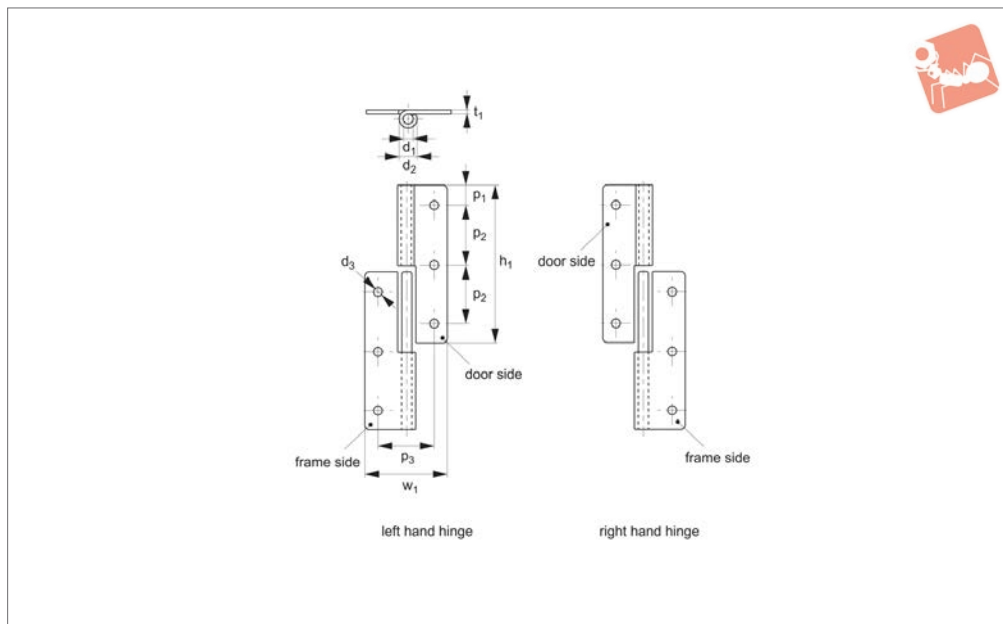
Product stamped with an „R“ does not mean it is a right hand hinge - it fixes to

the left hand side of the frame.

Order No.	t	Type	Weight g
S2300.AC0010	1.5	Right	21
S2300.AC0110	1.5	Left	21



S2320



Material

Stainless steel, AISI 304, polished finish.

Technical Notes

Opening angle 180°.

Important Notes

Product stamped with an „L“ does not mean it is a left hand hinge - it fixes to the

right hand part of the frame.

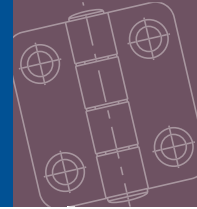
Product stamped with an „R“ does not mean it is a right hand hinge - it fixes to the left hand side of the frame.

Order No.	t	Type	h	w	p ₁	p ₂	p ₃	Ø d ₁	Ø d ₂	Ø d ₃	Weight g
S2320.AC0050	1.5	Right	50	32	5.0	20	21	7.5	4	3.2	32
S2320.AC0064	1.5	Right	64	36	8.0	24	24	7.5	4	3.2	44
S2320.AC0075	2.0	Right	75	38	7.5	30	24	8.5	4	3.2	64
S2320.AC0150	1.5	Left	50	32	5.0	20	21	7.5	4	3.2	32
S2320.AC0164	1.5	Left	64	36	8.0	24	24	7.5	4	3.2	44
S2320.AC0175	2.0	Left	75	38	7.5	30	24	8.5	4	3.2	64

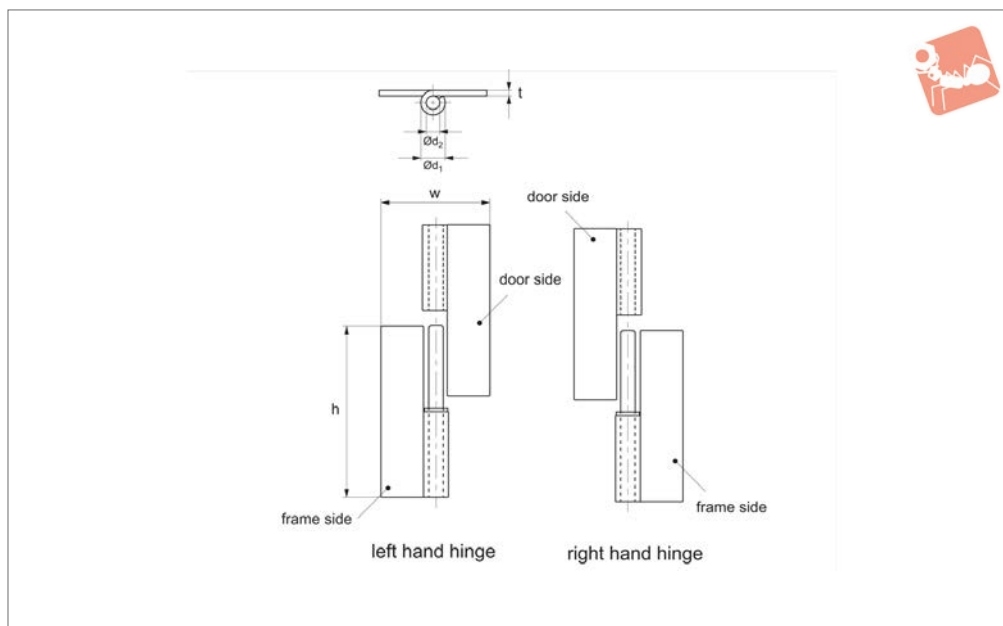


Lift-Off Hinges - Off-Set

weld-on - stainless steel



Hinges



S2340

HINGES

Material

Stainless steel, AISI 304, polished finish.

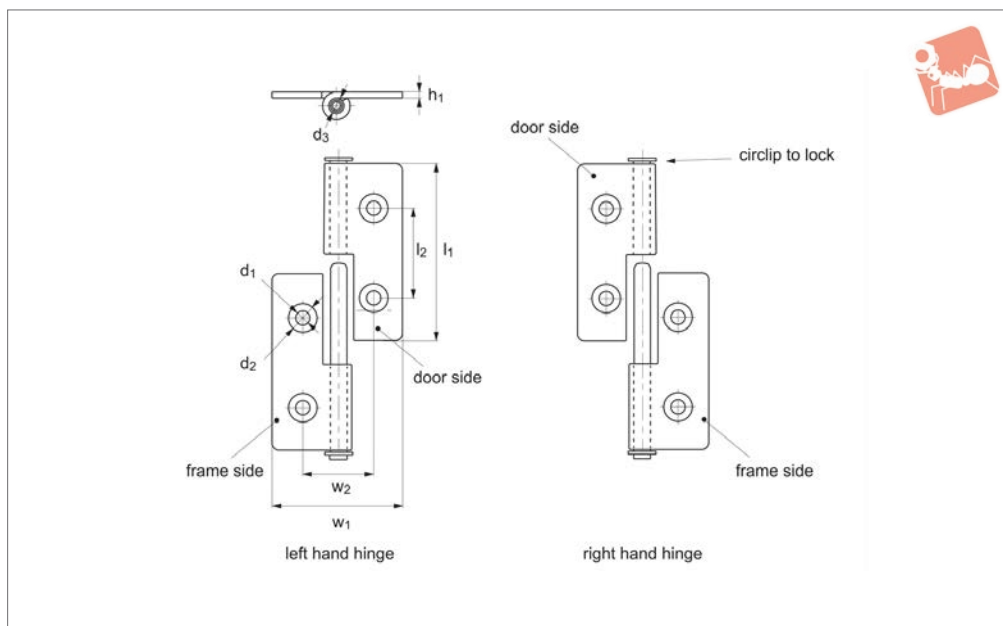
Order No.	t	Type	h	w	d_1	d_2	Weight g
S2340.AC0010	4	Right	100	82	16	8	335
S2340.AC0110	4	Left	100	82	16	8	335



HINGES



S2314



Material

Body: stainless steel 304.

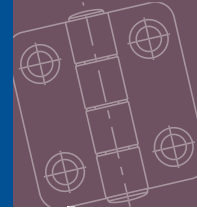
Technical Notes

Opening angle 180°.

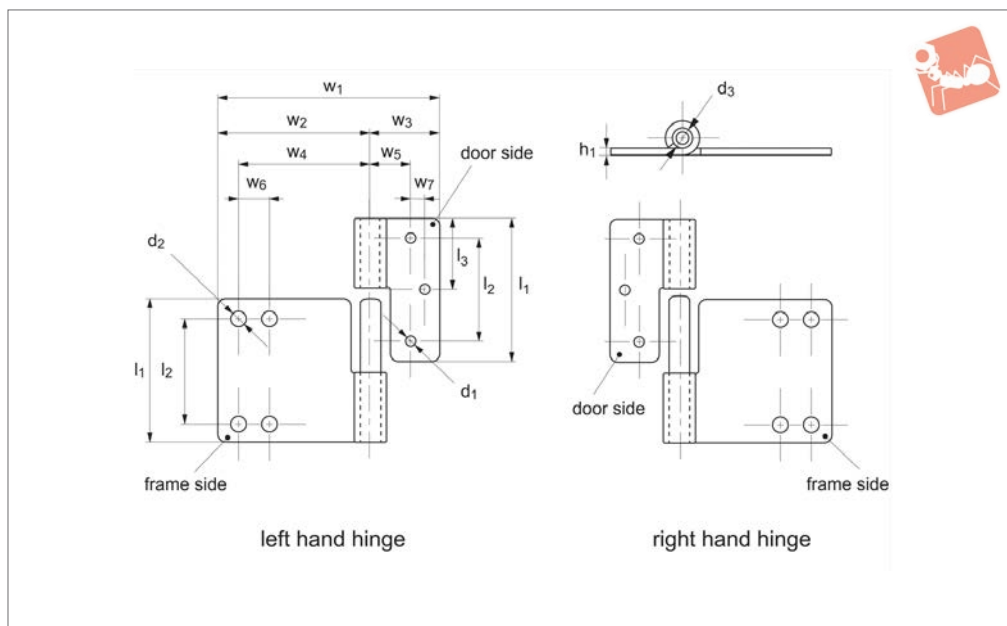
Order No.	Type	l_1	w_1	d_1	d_2	d_3	h_1	l_2	w_2	F_x N	F_y N
S2314.AW0010	Left	40	30	3.1	6.1	3.5	1.5	20	16	305	470
S2314.AW0020	Right	40	30	3.1	6.1	3.5	1.5	20	16	305	470



Lift-Off Hinges - Off set screw mount - stainless steel



Hinges



S2316

HINGES

Material

Body: stainless steel.

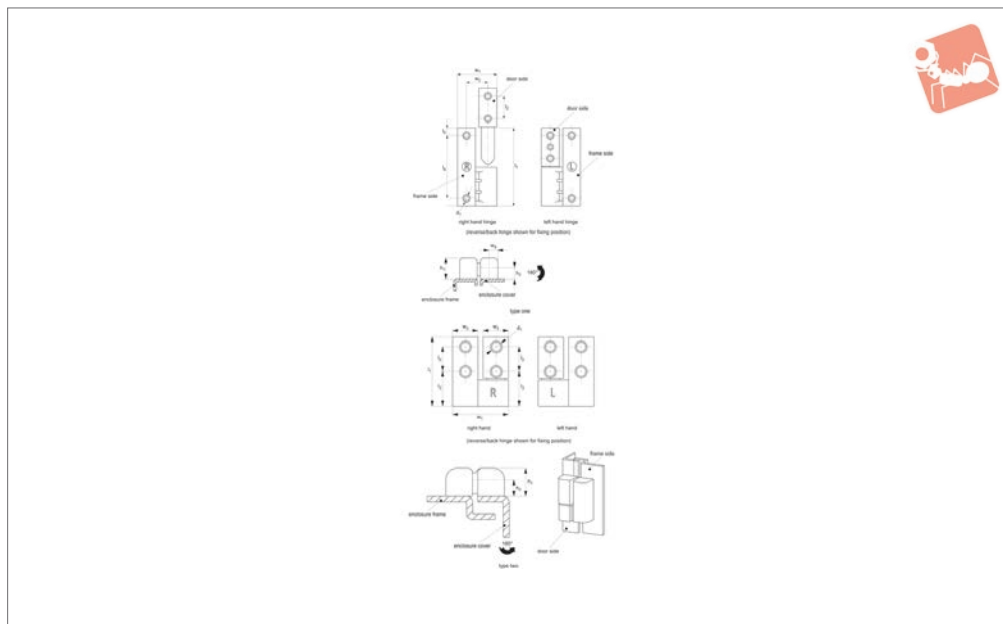
Technical Notes

Opening angle 180°.

Order No.	Type	l_1	w_1	d_1	d_2	d_3	h_1	l_2	l_3	w_2	w_3	w_4	w_5	w_6	w_7	F_x N	F_y N
S2316.AW0010	Left Hand	72	110	4.2	8.1	10	3	52	36	75	35	65	20	15	7.5	1280	630
S2316.AW0020	Right Hand	72	110	4.2	8.1	10	3	52	36	75	35	65	20	15	7.5	1280	630



S2404



Material

Type one: Body: die cast zinc, black powder coated.

Bushing: polyamide.

Type two: Body: die cast zinc, black powder

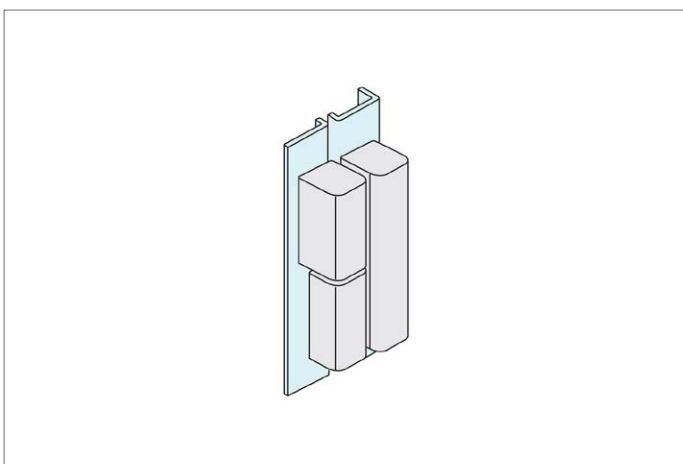
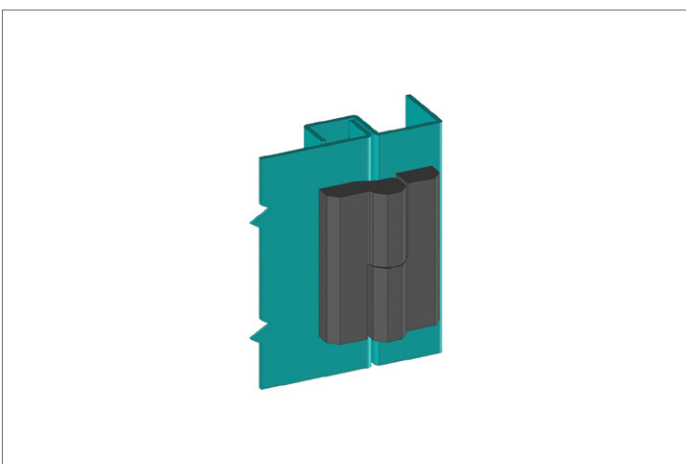
coated.

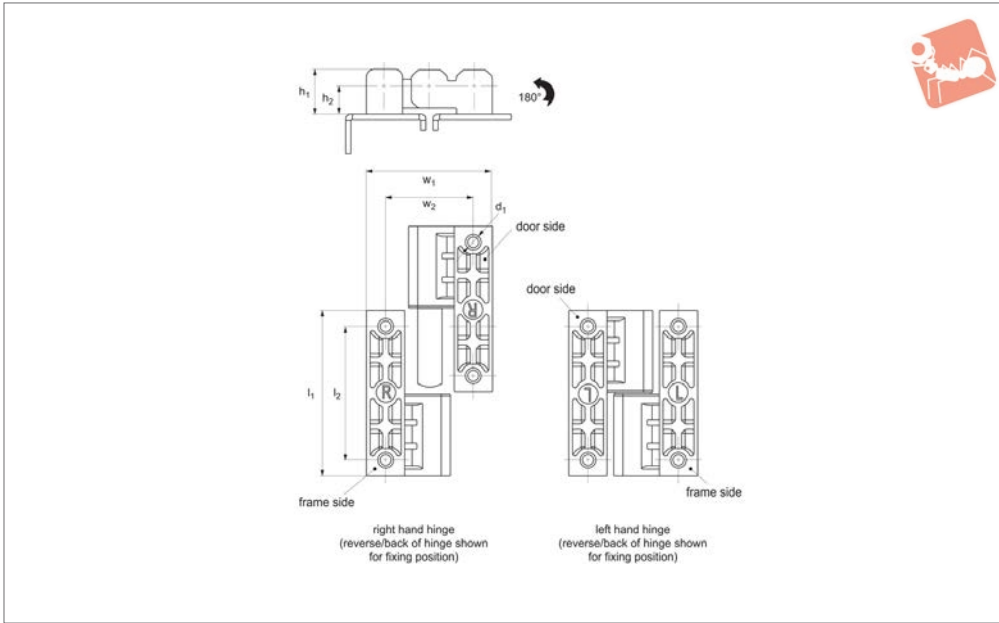
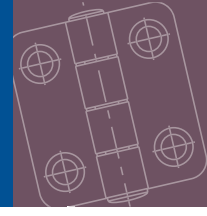
Natural unfinished available on request, subject to minimum order quantity.

Technical Notes

Lift off hinge for plain/flush mounted doors. Concealed mounting screws prevent external access to the hinge. Opening angle 180°.

Order No.	Type	Hand	l_1	w_1	d_1	h_1	h_2	l_2	l_3	l_4	l_5	w_2	w_3	F_x N
S2404.AW0025	One	Right	64.0	32.5	M 5	17.5	10.0	19	-	51	6.5	17.5	-	490
S2404.AW0125	One	Left	64.0	32.5	M 5	17.5	10.0	19	-	51	6.5	17.5	-	490
S2404.AW0064	Two	Right	25.5	20.5	M 4	10.0	5.5	9	13	-	-	-	9.4	270
S2404.AW0164	Two	Left	25.5	20.5	M 4	10.0	5.5	9	13	-	-	-	9.4	270





S2406

HINGES

Material

Hinge: die cast zinc.
Bushing: polyamide.

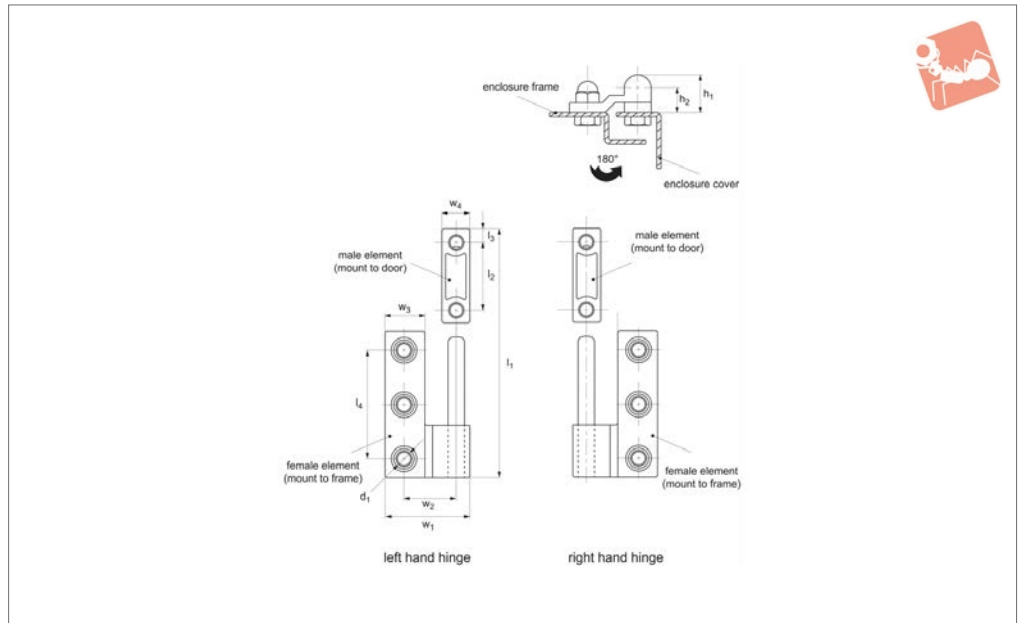
Technical Notes

Opening angle 180°.

Order No.	Type	l_1	w_1	d_1	h_1	h_2	l_2	w_2	F_x N	F_y N
S2406.AW0064	Right	64	50	M5	17.5	10	51	35	3300	880
S2406.AW0164	Left	64	50	M5	17.5	10	51	35	3300	880



S2408



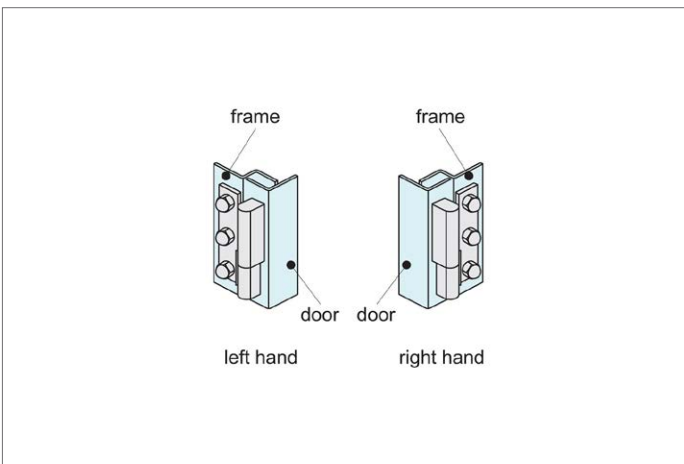
Material

Body: die cast zinc, black powder coated.
Pin: steel, nickel plated.

Technical Notes

Opening angle 180°.

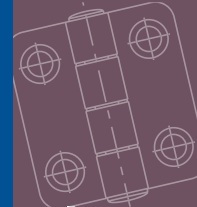
Order No.	Type	l_1	w_1	d_1	h_1	h_2	l_2	l_3	l_4	w_2	w_3	w_4
S2408.AW0062	Right	62	36	M6	16	10	29	5.5	46	22	16	12
S2408.AW0162	Left	62	36	M6	16	10	29	5.5	46	22	16	12



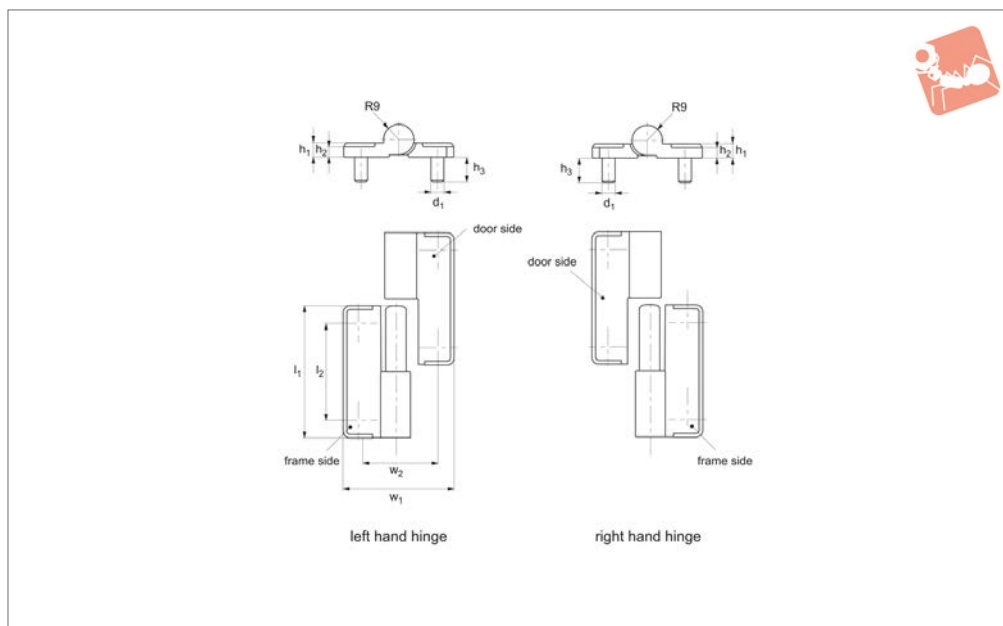


Lift-Off Hinges - In Line

bolt on - zinc



Hinges



S2420

HINGES

Material

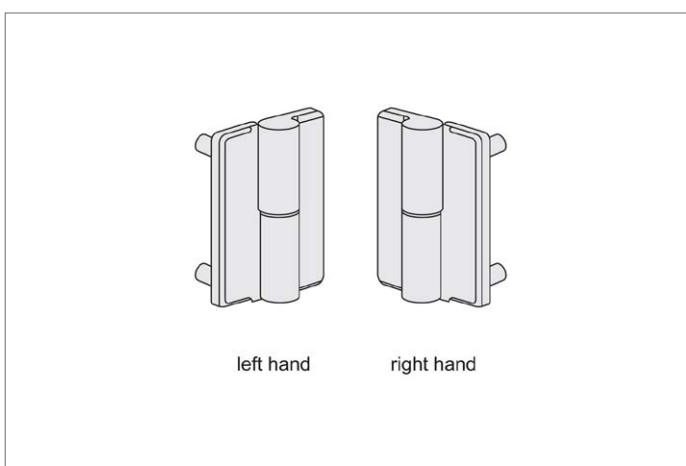
Hinge: die cast zinc, black powder coated.
Screw: stainless steel.

Technical Notes

Using a left and a right handed hinge the door will not be removable, where as using

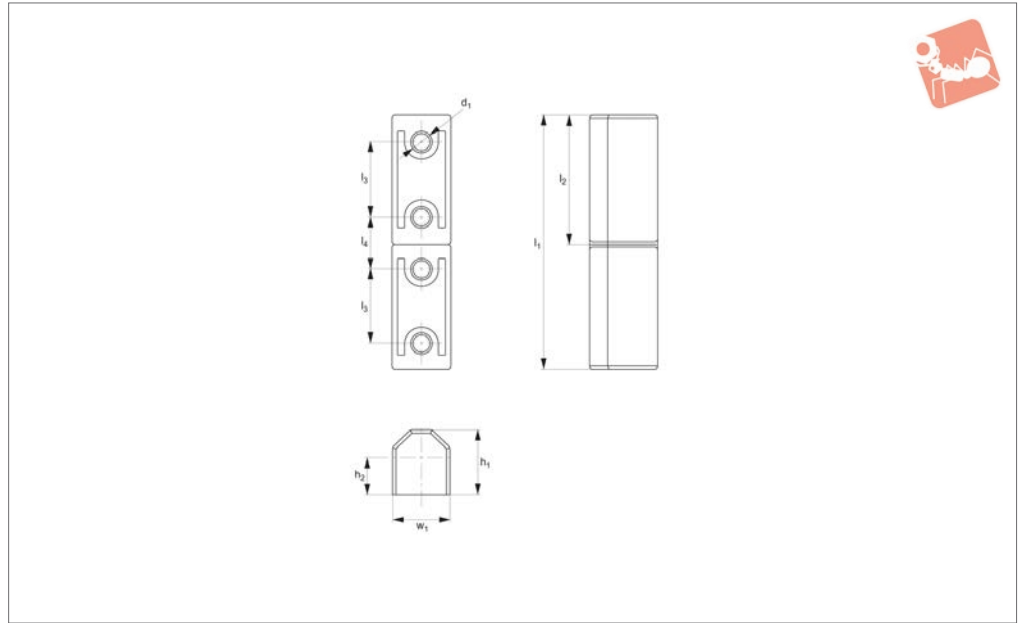
two hinges of the same type the door will be removable. Opening angle 180°.

Order No.	Type	l_1	w_1	d_1	h_1	h_2	h_3	l_2	w_2	F_x N	F_y N
S2420.AW0010	Left	80	64	M 8	10	8	14	60	45	1500	1800
S2420.AW0110	Right	80	64	M 8	10	8	14	60	45	1500	1800





S2500



Material

Body: die cast zinc, chrome plated or black powder coated.
 Bushing: polyamide.

Technical Notes

Universal left or right hand opening doors.
 For external mounting on cabinets, surface mounted doors, sheet metal doors etc.

Mounting via concealed 4xM 5 screws.
 Opening angle 180°.

Order No.	Finish	l_1	w_1	d_1	h_1	h_2	l_2	l_3	l_4	F_x N	F_y N
S2500.AW0010	Chrome	64	15	M 5	17	10	32	19	13	600	1500
S2500.AW0020	Black Coated	64	15	M 5	17	10	32	19	13	600	1500

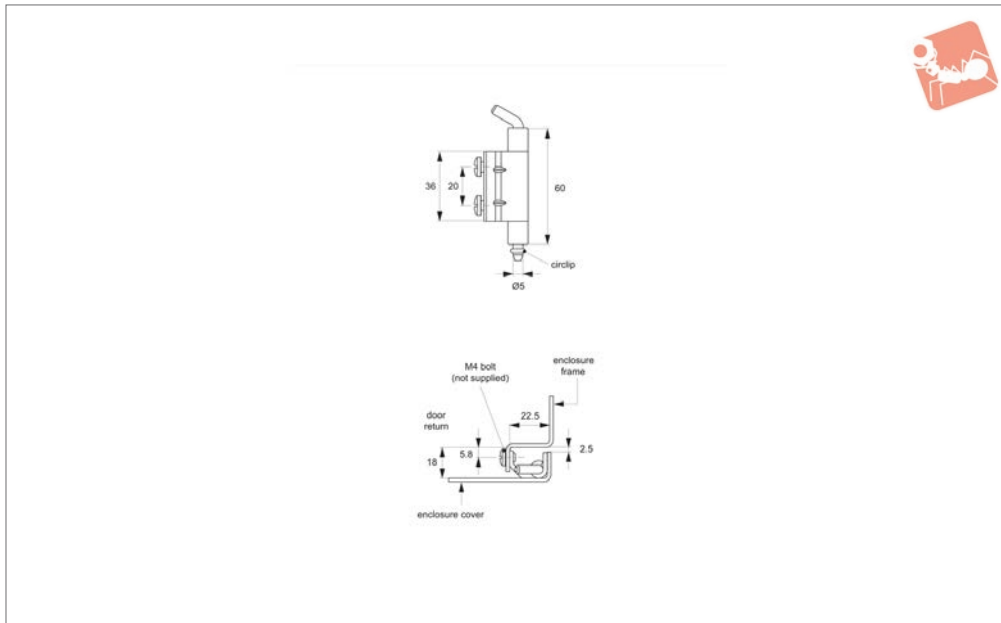


Concealed Pivot Hinges - Lift Off

20 mm door return - weld or stud - steel



Hinges



S2104

HINGES

Material

Steel and stainless steel (304 and 316).

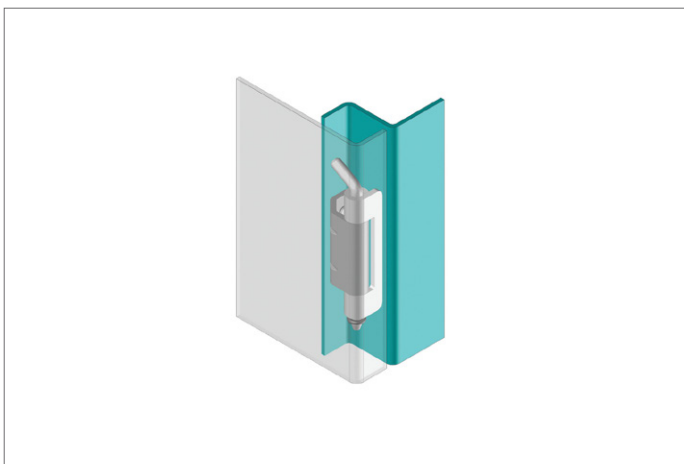
Technical Notes

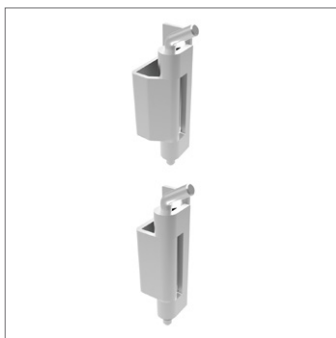
Suited to sheet metal and machine enclos-

ures with door return. Main body mounted via two M 4 screws. Hinge plate either welded or screwed to enclosure body. Removable hinge pin enables easy installa-

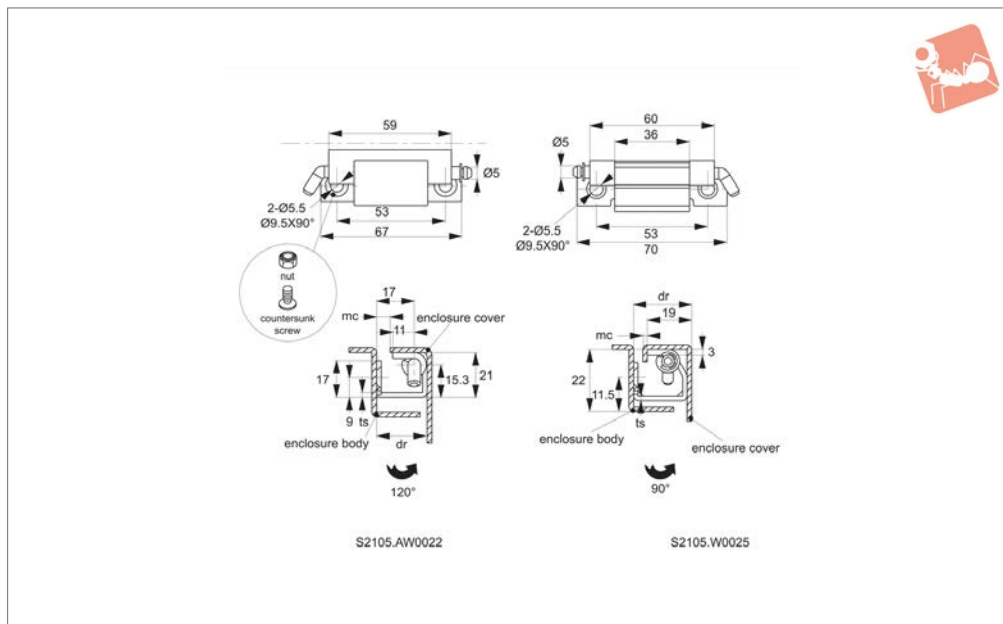
tion and is held in place via circlip. Max. opening angle 120°.

Order No.	Material	Door return	Size	F _x N	F _y N
S2104.AW0020	Steel	20	60 x 22,5 x 20	280	250
S2104.AW0120	304 Stainless	20	60 x 22,5 x 20	-	-
S2104.AW0220	316 Stainless	20	60 x 22,5 x 20	-	-





S2105



Material

Body & hinge: steel, white zinc plated.

Technical Notes

Suited to sheet metal and machine enclosures with 22-25mm door return. Main body

mounted via two M5 screws. Hinge plate either welded or screwed to enclosure body.

Removable hinge pin enables easy installation and is held in place via circlip. Max. opening angle 120° or 90°.

Important Notes

dr= Maximum door return suitable for use with hinge.

mc= Minimum clearance advised between enclosure cover and body to ensure smooth, full opening of enclosure cover.

Order No.	Door return	Size	F _x N	F _y N	mc min.	ts thickness
S2105.AW0022	25	59 x 21 x 22	120	310	4.5	2.5
S2105.AW0025	22	60 x 22 x 25	120	310	4.0	2.5



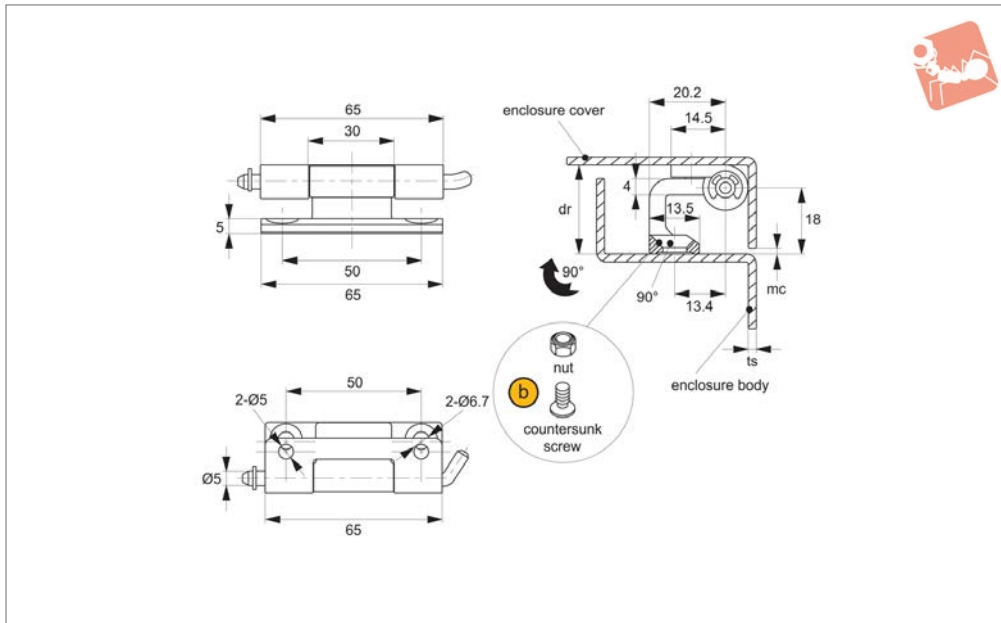


Concealed Pivot Hinges - Lift Off

23mm door return - weld and countersunk screw



Hinges



S2115

HINGES

Material

Hinge & pin: steel, white zinc plated.

Technical Notes

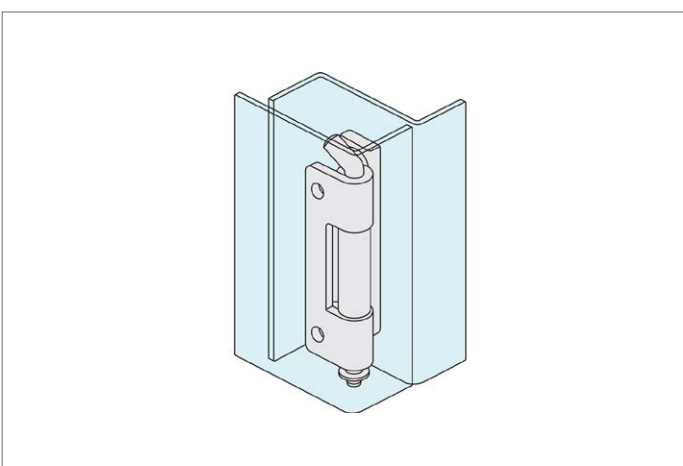
Suited to sheet metal and machine enclosures with 23mm door return. When the gap between the door and frame is 2mm, opening angle is 90°.

Main body mounted via M6 screws, hinge plate either welded or screwed to enclosure with M5 screws. Removable hinge pin enables easy installation and is held in place via circlip. Opening angle 180°.

Important Notes

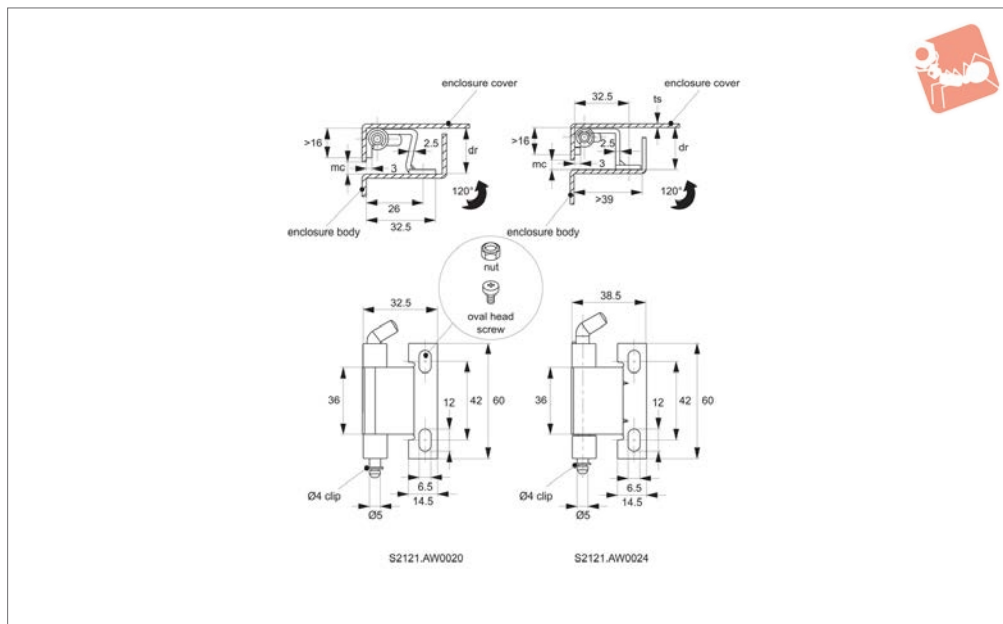
dr= Maximum door return suitable for use with hinge.
 mc= Minimum clearance advised between enclosure cover and body to ensure smooth, full opening of enclosure cover.

Order No.	Door return	Size	F _x N	F _y N	mc min.	ts panel thickness
S2115.AW0024	23.8	65 x 23 x 20,2	900	700	2	2





S2121



Material

Hinge & pin: steel, white zinc plated.

Technical Notes

Suited to sheet metal and machine enclosures with door return of 20-24mm. Main body mounted via two M6 screws, hinge

plate welded to frame.

Removable hinge pin enables easy installation, and is held in place via circlip. Max. opening angle 120°.

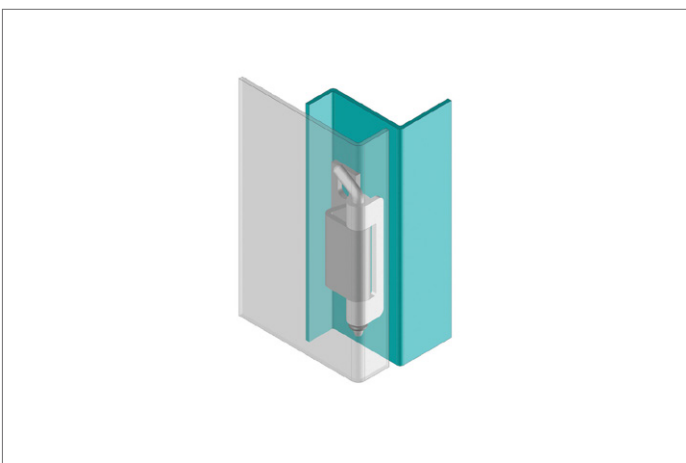
Important Notes

dr= Maximum door return suitable for use

with hinge.

mc= Minimum clearance advised between enclosure cover and body to ensure smooth, full opening of enclosure cover.

Order No.	Door return	Size	F _x N	F _y N	mc min.	ts panel thickness
S2121.AW0020	20.0	60,0 x 32,5 x 20,0	350	778	3	2.0
S2121.AW0024	24.5	60,0 x 38,5 x 24,5	350	778	3	2.0



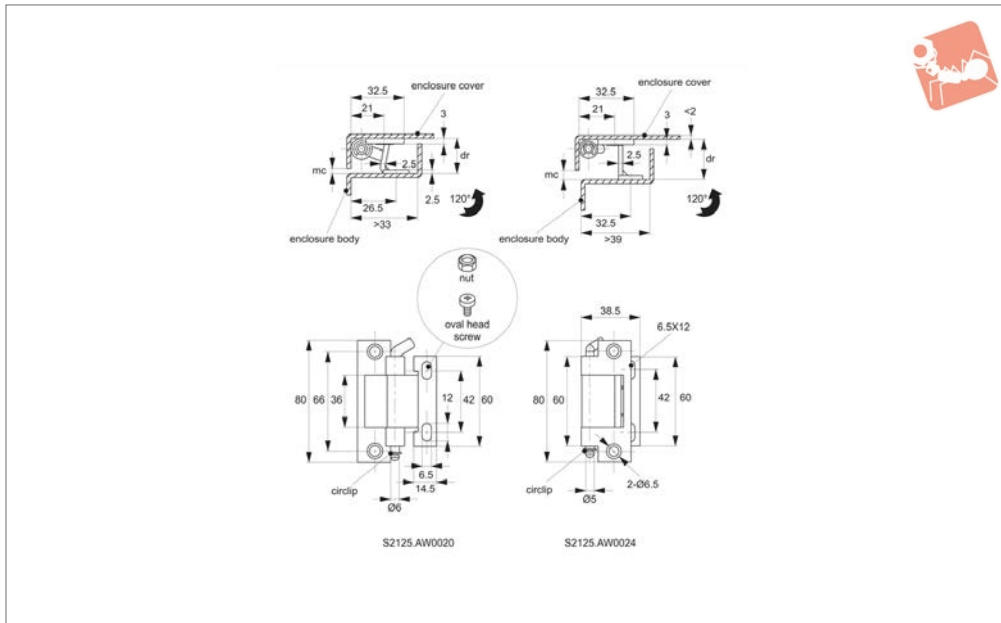


Concealed Pivot Hinges - Lift Off

20 & 24mm door return - weld and oval head screw



Hinges



S2125

HINGES

Material

Hinge & pin: steel, white zinc plated.

Technical Notes

Suited to sheet metal and machine enclosures with 20-24mm door return. Main body mounted via two M6 screws, hinge plate

welded to frame.

Removable hinge pin enables easy installation, and is held in place via circlip. Max. opening angle 120°.

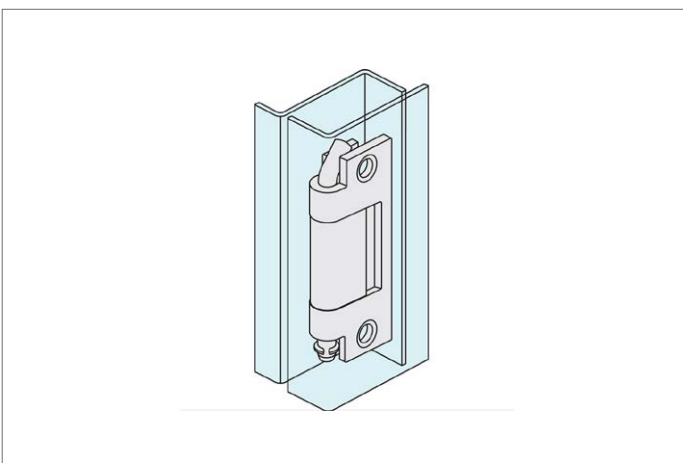
Important Notes

dr= Maximum door return suitable for use

with hinge.

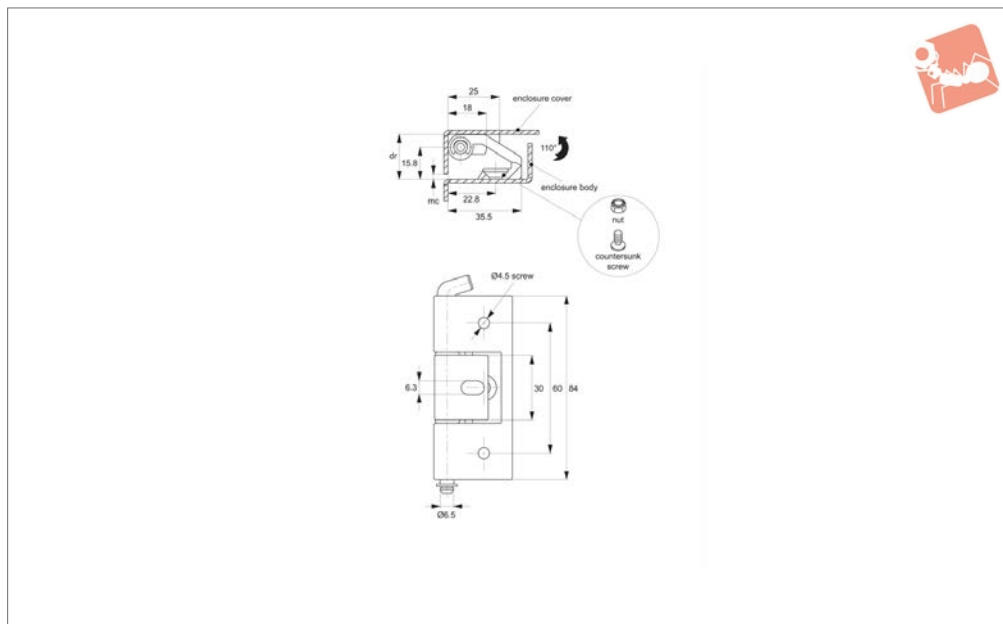
mc= Minimum clearance advised between enclosure cover and body to ensure smooth, full opening of enclosure cover.

Order No.	Door return	Size	F _x N	F _y N	mc min.	ts panel thickness
S2125.AW0020	20.0	60,0 x 33,0 x 20,0	310	480	3.0	2.0
S2125.AW0024	24.5	60,0 x 39,0 x 24,5	310	480	2.5	2.0





S2153



Material

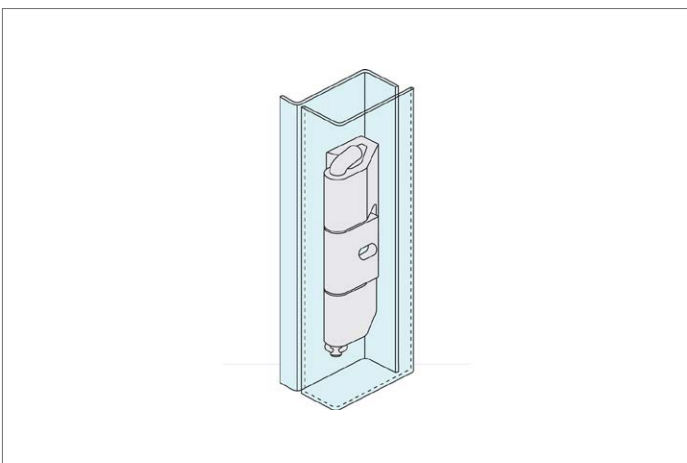
Hinge: die cast zinc.
Pin: steel.
Gasket: polyamide.

Technical Notes

Suited to sheet metal and machine enclos-

ures with a 22mm door return. Main body mounted via two M4 screws, hinge plate welded to frame. Removable hinge pin enables easy installation, and is held in place via circlip. Max. opening angle 110°.

Order No.	Door return	Size	F _x N	F _y N	mc min.	ts panel thickness
S2153.AW0022	22	60 x 33,5 x 22	720	830	3	2



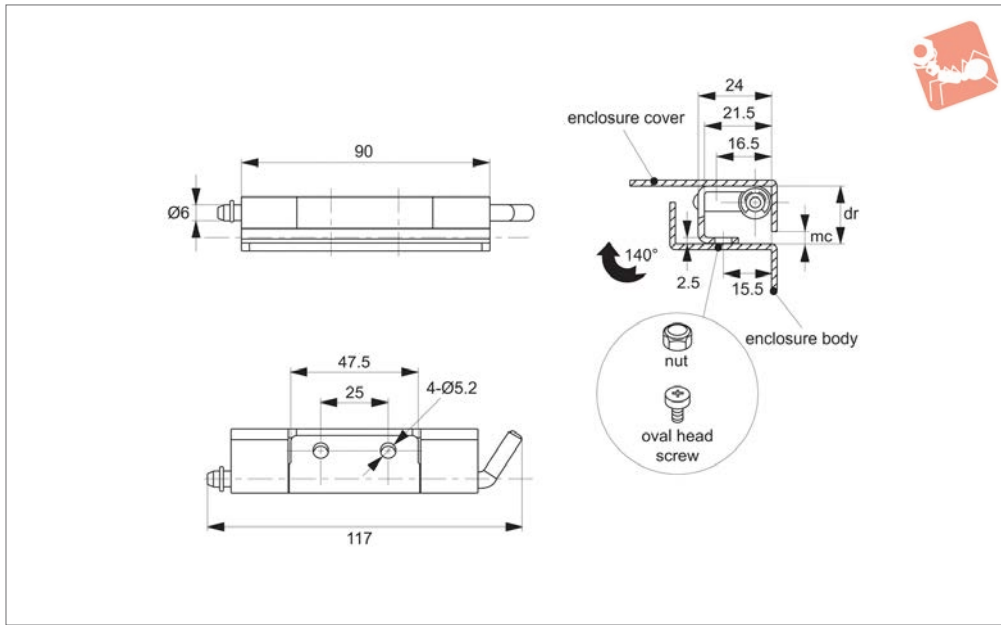


Concealed Pivot Hinges - Lift Off

19mm door return - weld and oval head screw -



Hinges



S2155

HINGES

Material

Hinge & pin: stainless steel.

Technical Notes

Opening angle 140°.

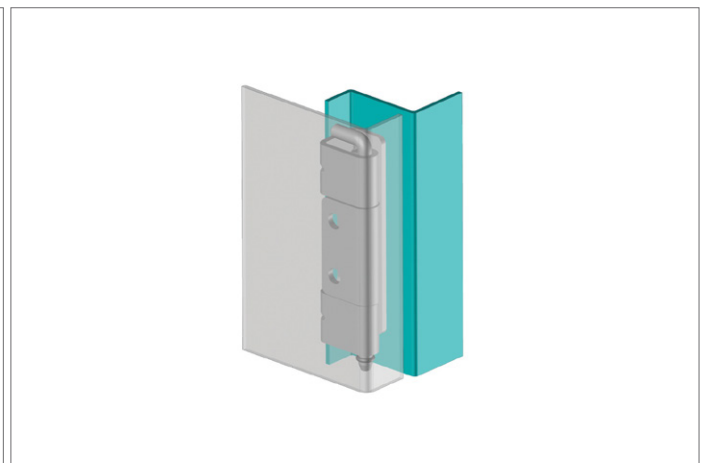
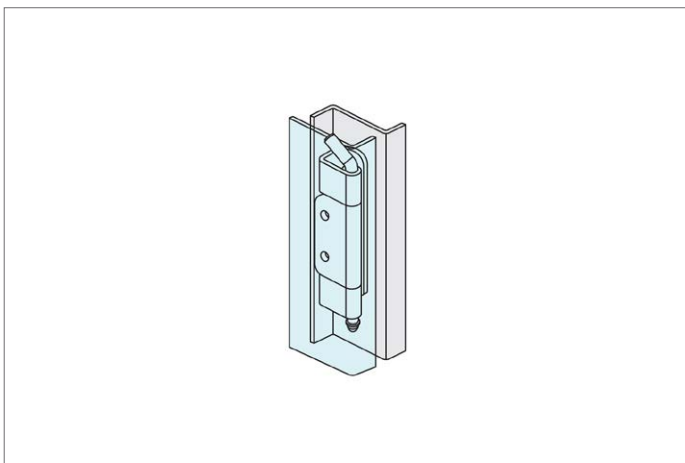
Important Notes

Suited to sheet metal and machine enclosures with a 19mm door return. Main body mounted via two M5 screws, hinge plate welded to frame.

welded to frame.

Removable hinge pin enables easy installation, and is held in place by split clip.

Order No.	Door return	Size	F _x N	F _y N	mc min.	ts panel thickness
S2155.AW0019	19	117 x 24 x 19	500	980	5	2.0

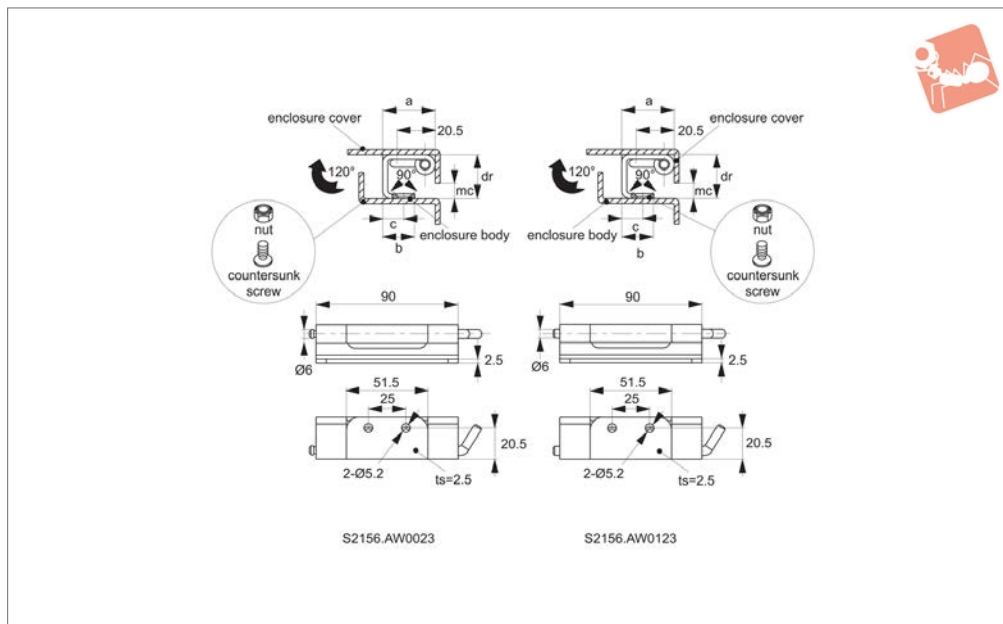




HINGES



S2156



Material

Hinge & shaft: stainless steel. AISI 304.

Technical Notes

Opening angle 120°. Suited to sheet metal and machine enclosures with a 23mm door return. Main body mounted via two M5

screws, hinge plate welded to frame (copper plated for improved welding). Removable hinge pin enables easy installation, and is held in place by clip.

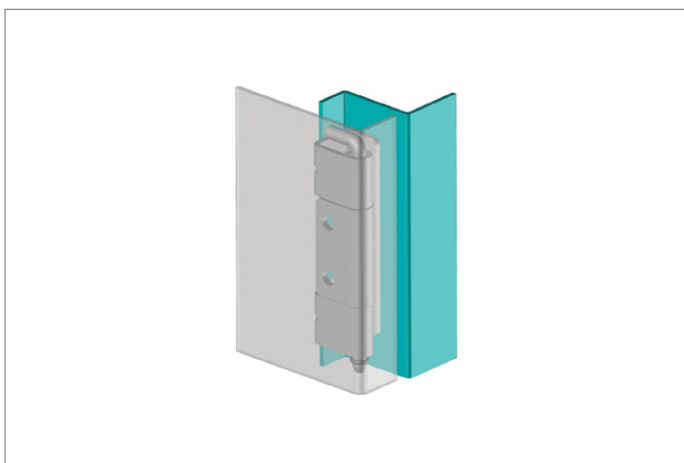
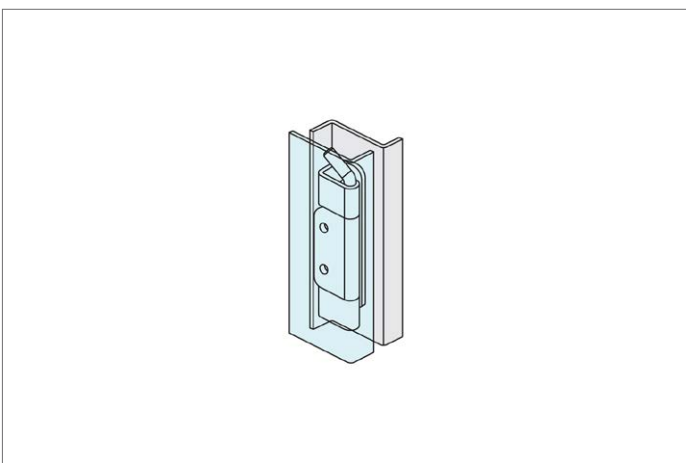
Important Notes

dr= Maximum door return suitable for use

with hinge.

mc= Minimum clearance advised between enclosure cover and body to ensure smooth, full opening of enclosure cover.

Order No.	Door return	Size	a	b	c	F _x N	F _y N	mc min.	ts panel thickness
S2156.AW0023	23	90 x 27,5 x 23	27.5	16.5	11.0	500	980	5	2.5
S2156.AW0123	23	90 x 33,5 x 23	33.5	22.0	14.5	500	980	5	2.5



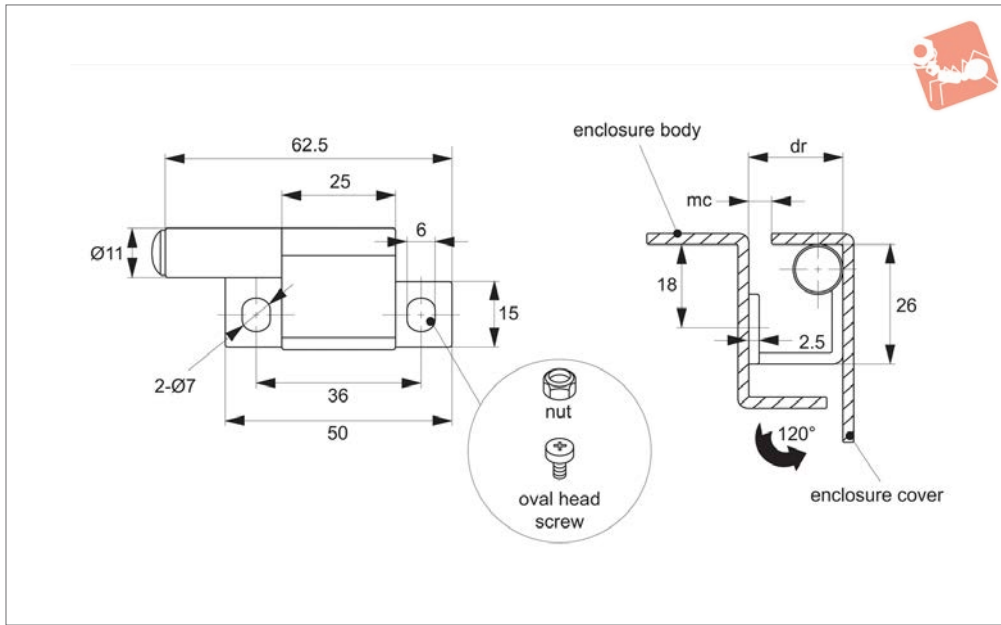


Concealed Pivot Hinges - Lift Off

21mm door return - weld and oval head screw - steel



Hinges



S2170

HINGES

Material

Hinge: steel, white zinc plated.

Technical Notes

Suited to sheet metal and machine enclosures with a 21mm door return. Main body

mounted via two M7 screws, hinge plate welded to frame.
Opening angle: 120°.

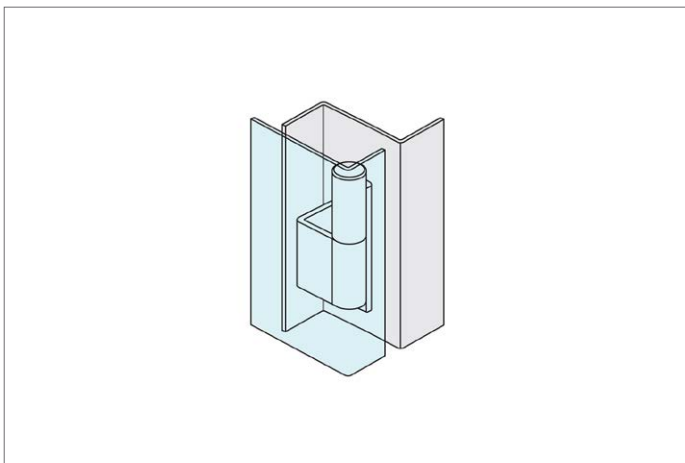
Important Notes

dr= Maximum door return suitable for use

with hinge.

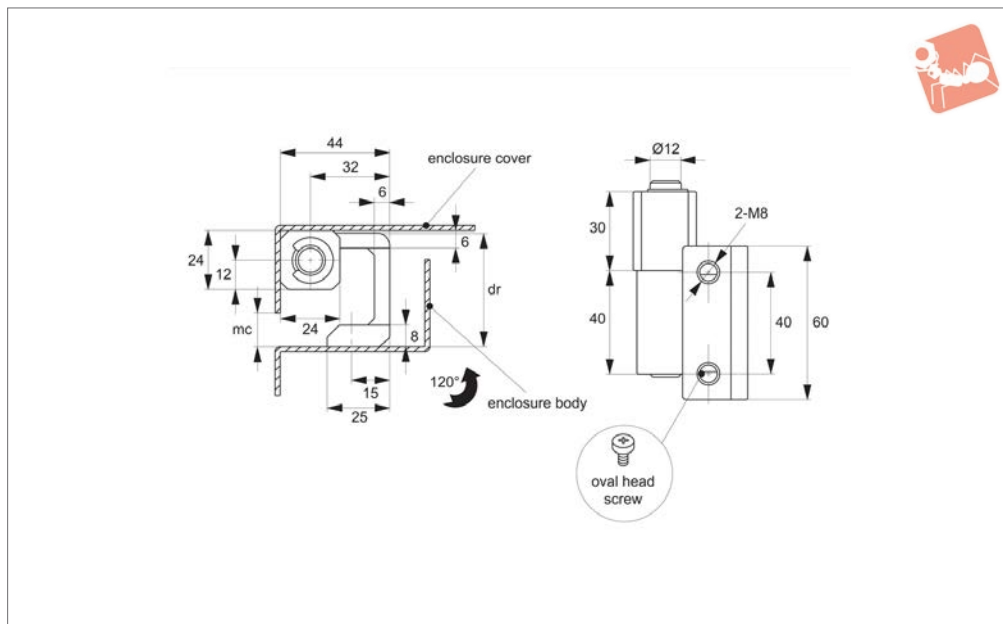
mc= Minimum clearance advised between enclosure cover and body to ensure smooth, full opening of enclosure cover.

Order No.	Door return	Size	F _x N	F _y N	mc min.	ts panel thickness
S2170.AW0021	21	50 x 26 x 21	200	160	4	2.5





S2172



Material

Hinge: stainless steel, white zinc plated.

Technical Notes

Suited to sheet metal and machine enclosures with a 45mm door return. Main body

mounted via two M8 screws, hinge plate welded to frame.

Opening angle: 120°.

Important Notes

dr= Maximum door return suitable for use

with hinge.

mc= Minimum clearance advised between enclosure cover and body to ensure smooth, full opening of enclosure cover.

Order No.	Door return	Size	F _x N	F _y N	mc min.	ts panel thickness
S2172.AW0046	45	60 x 44 x 45,5	2000	1500	10	2.5

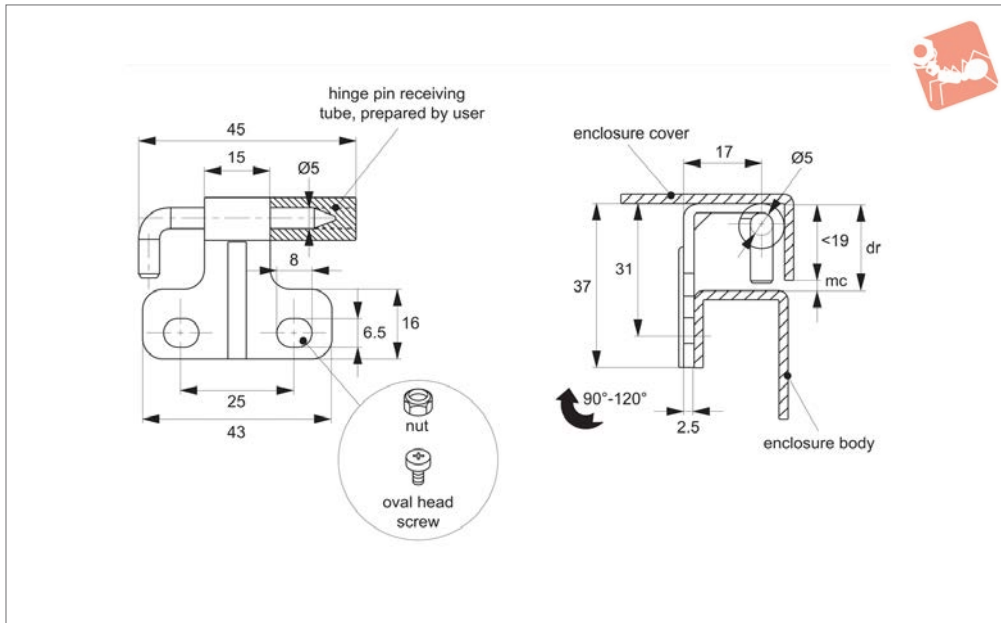


Concealed Pivot Hinges - Lift Off

21mm door return - weld and oval head screw - steel



Hinges



S2176

HINGES

Material

Hinge: steel, black powder coated.
Pin: steel, white zinc plated.

Technical Notes

Suited to sheet metal and machine enclosures with a 21mm door return. Main body mounted via two M6 screws, hinge plate

welded to frame (copper plated for improved welding).
Opening angle: 120°.

Important Notes

Female hinge installation requires user to prepare a welded tube to receive pin: min. dia. 5mm.

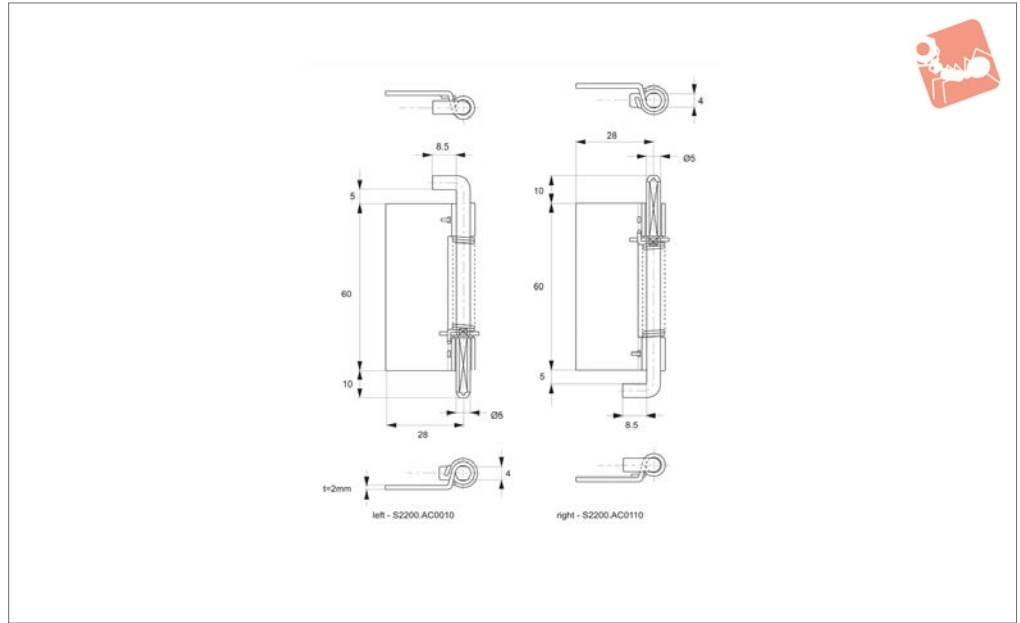
dr= Maximum door return suitable for use with hinge.

mc= Minimum clearance advised between enclosure cover and body to ensure smooth, full opening of enclosure cover.

Order No.	Door return	Size	F _x N	F _y N	mc min.	ts panel thickness
S2176.AW0021	21	43 x 19,5 x 21	360	105	2	2



S2200



Material

Stainless steel, AISI 304.

Technical Notes

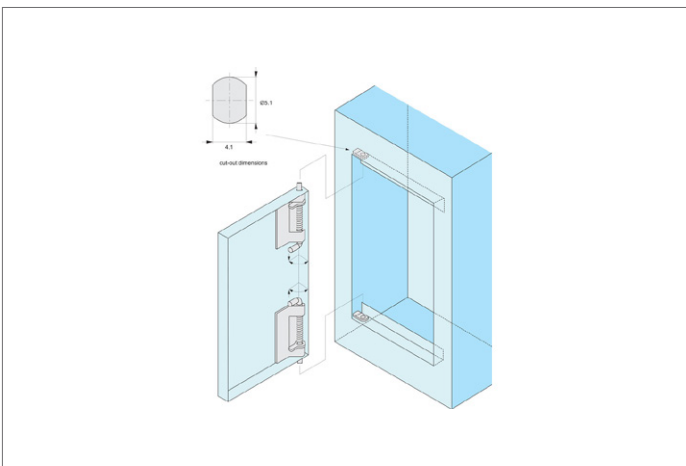
Spring loaded for self-closing.

Lift pin for easy installation and removal.

Torsion moment (hinge closed): 0.76kgf/cm per piece.

Max. opening angle 100°.

Order No.	Type	Weight
S2200.AC0010	Left	g 38
S2200.AC0110	Right	38



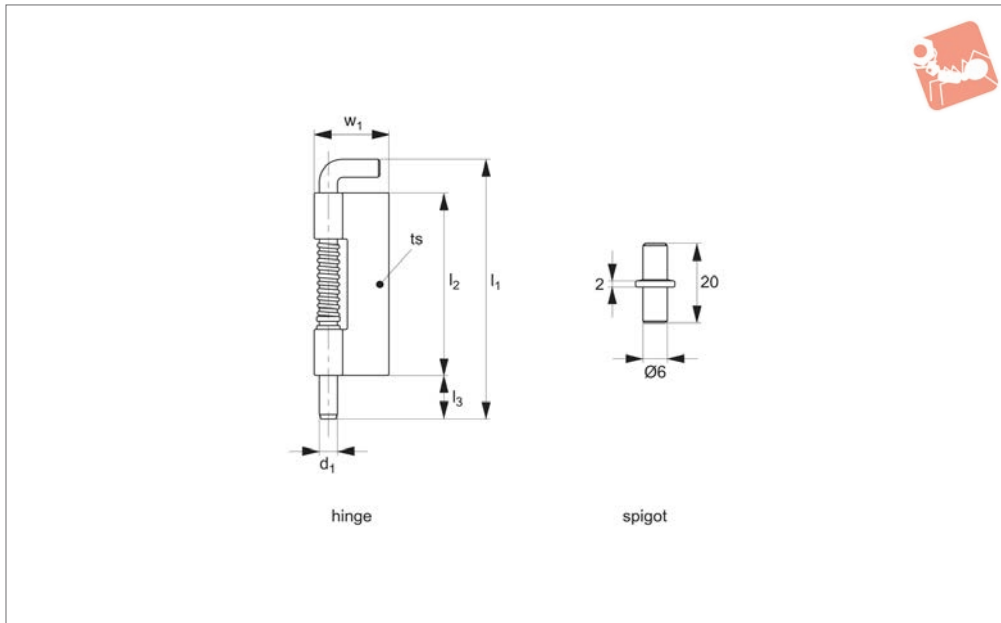


End Mount Concealed Pivot Hinge

spring loaded - weld-on - steel



Hinges



S2202

HINGES

Material

Body: steel, white zinc plated.

Technical Notes

For sheet metal doors, cabinets and machinery covers. Spring body can be either welded, or screw mounted.

Pull back pin lever, hinge pin is retracted.
Release pin lever and hinge pin springs

back.

Max. opening angle 110°.

Tips

Spring loaded feature of hinge enables easy assembly and disassembly of panel/door, ideal for maintenance covers.

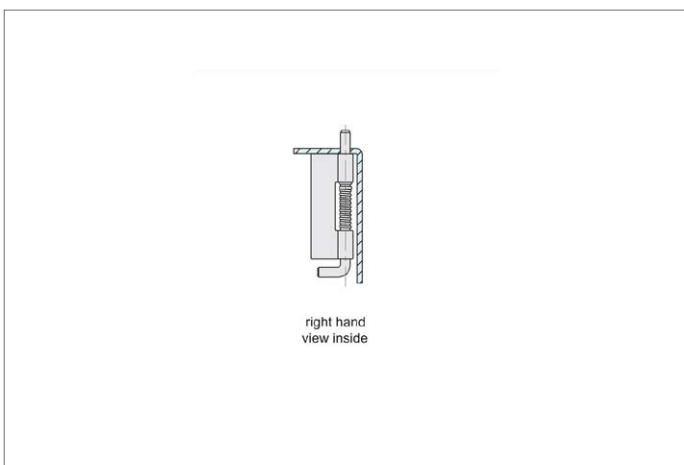
Typical assembly utilises spring loaded hinge at top of door and corresponding

hinge spigot at foot of door.

Important Notes

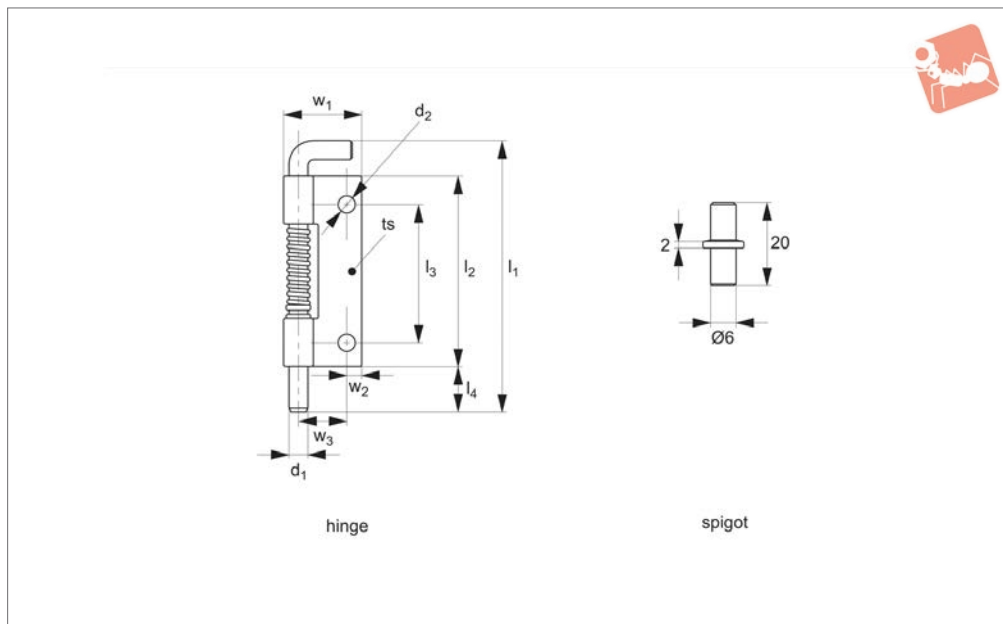
Accessory (optional) this accessory is used as an alternative to the hinge with pin, usually fitted at the bottom of the door as load-bearing fixing door.

Order No.	Type	l_1	w_1	d_1	F_x N	F_y N	l_2	l_3	ts
S2202.AW0063	Left	89	26.4	6	150	200	62.5	15	2
S2202.AW0163	Right	89	26.4	6	150	200	62.5	15	2





S2205



Material

Body: steel, zinc plated.

Technical Notes

For sheet metal doors, cabinets and machinery covers. Spring body can be either welded, or screw mounted.

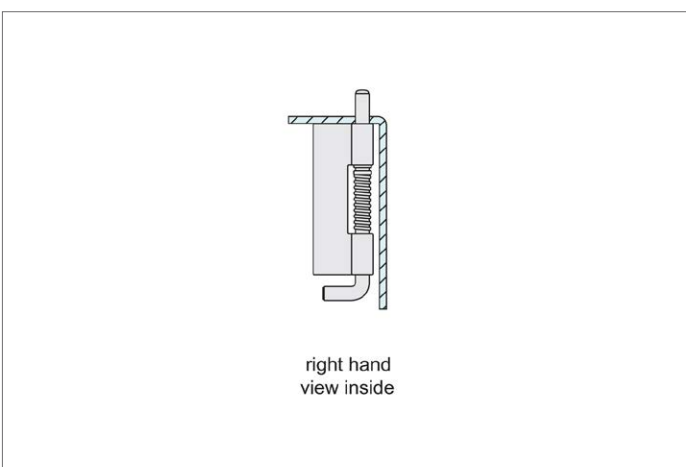
Pull back pin lever, hinge pin is retracted. Release pin lever and hinge pin springs back. Max. opening angle 110°.

Tips

Spring loaded feature of hinge enables

easy assembly and disassembly of panel/door, ideal for maintenance covers. Typical assembly utilises spring loaded hinge at top of door and corresponding hinge spigot at foot of door.

Order No.	Hand	l_1	w_1	d_1	d_2	F_x N	F_y N	l_2	l_3	l_4	w_2	w_3	ts
S2205.AW0032	Left	52	16.5	4	3.2	150	200	32.0	19	10	5	8.5	2
S2205.AW0132	Right	52	16.5	4	3.2	100	130	32.0	19	10	5	8.5	2
S2205.AW0063	Left	89	26.5	6	5.5	150	200	62.5	45	15	6	15.2	2
S2205.AW0163	Right	89	26.5	6	5.5	150	200	62.5	45	15	6	15.2	2



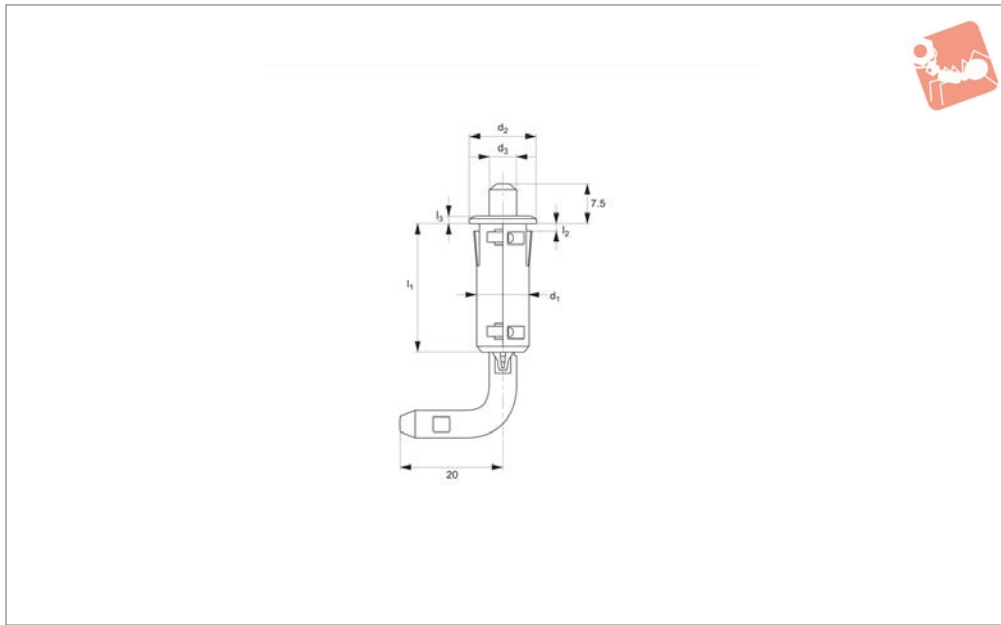


End Mount Concealed Pivot Hinge

spring loaded - snap fit - polyamide



Hinges



S2212

HINGES

Material

Body: polyamide, black PA 6 GRF30.
Pin: stainless steel.
Latch: die cast zinc, white zinc plated.

very covers. Clip fix for easy assembly.
Pull back pin lever, hinge pin is retracted.
Release pin lever and hinge pin springs back. Opening angle 180°.

easy assembly and disassembly of panel/
door, ideal for maintenance covers.
Max. opening angle 110°.

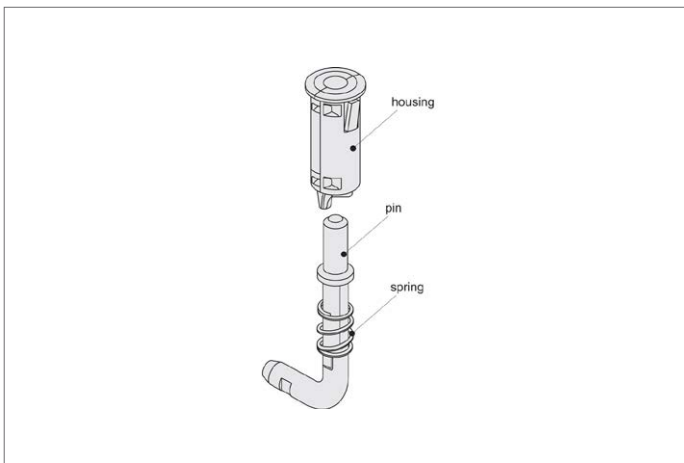
Technical Notes

For sheet metal doors, cabinets and machi-

Tips

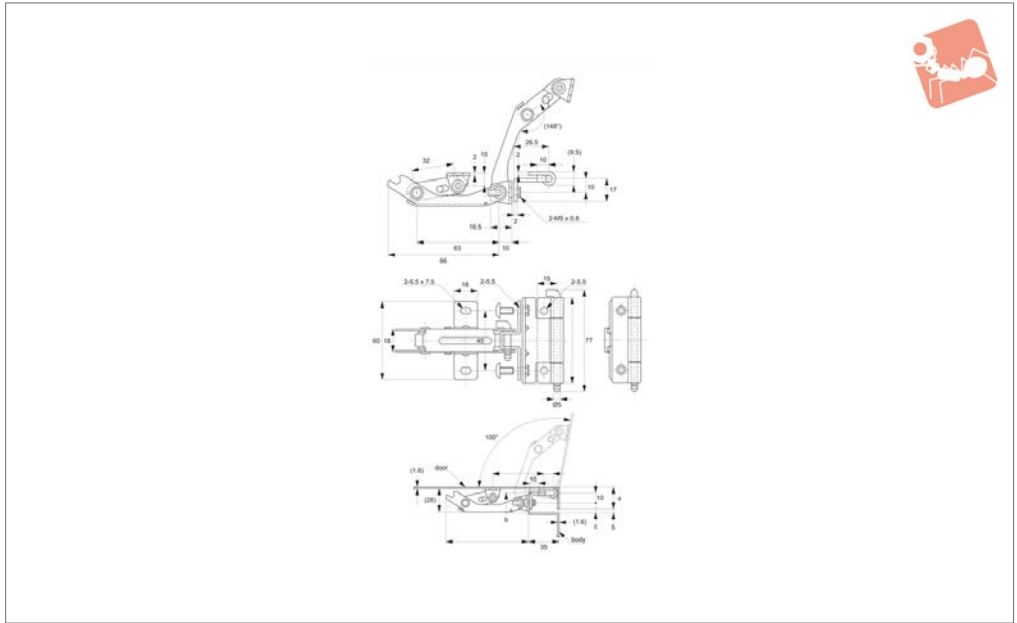
Spring loaded feature of hinge enables

Order No.	l_1	d_1	d_2	d_3	l_2	l_3
S2212.AW0005	24.5	10	13	5	7.5	1.5





S2250



Material

Stainless steel, AISI 304.

Technical Notes

Combined hinge and stay easily installed/ removed via installation pin. Ideal for

removal of machine/equipment covers for maintenance.

Tips

Particularly suited to gaming industry. Nature of hinges movement enables

machine cover and body to be fully sealed to prohibit tampering or interference.

Important Notes

Suitable for doors up to 10Kg (as pair). Holding force: 30kgf/cm each.

Order No.

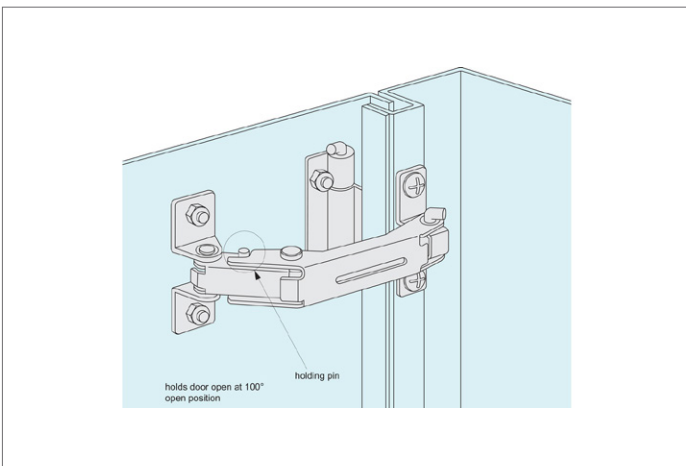
S2250.AC0010

Type

Stainless Steel

Weight

g
190



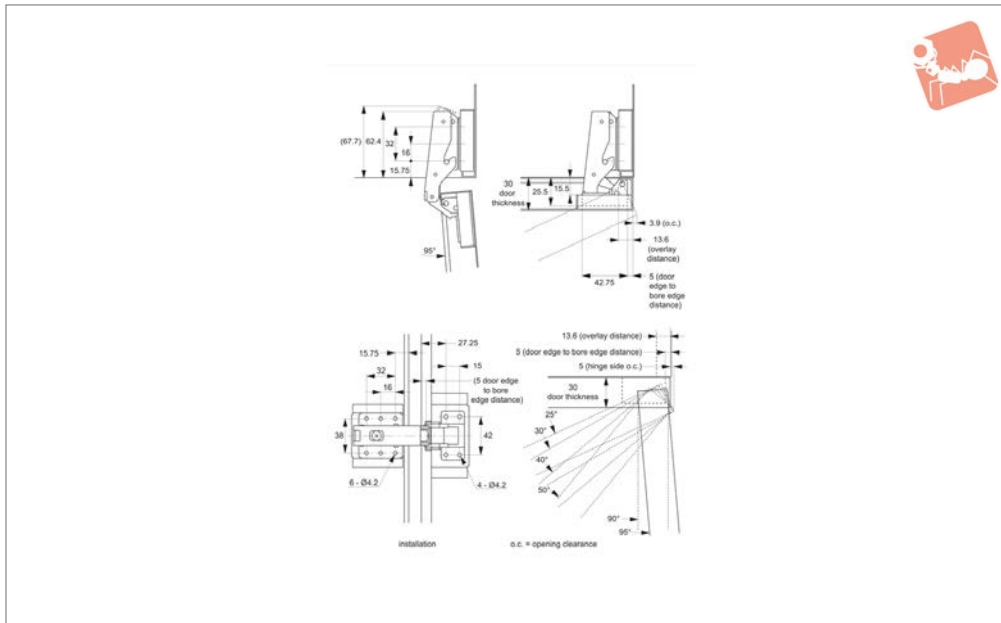


Recessed Fitting - Snap-On Easy

screw mount - steel



Hinges



S2260

HINGES

Material

Steel, nickel plated.

Technical Notes

Snap-on feature allows easy installation and removal of door panel, especially suitable for maintenance. Max. opening

angle 95°.

Tips

Hinge enables opening of doors without interference with side panels and hence ideal where two doors are mounted close together.

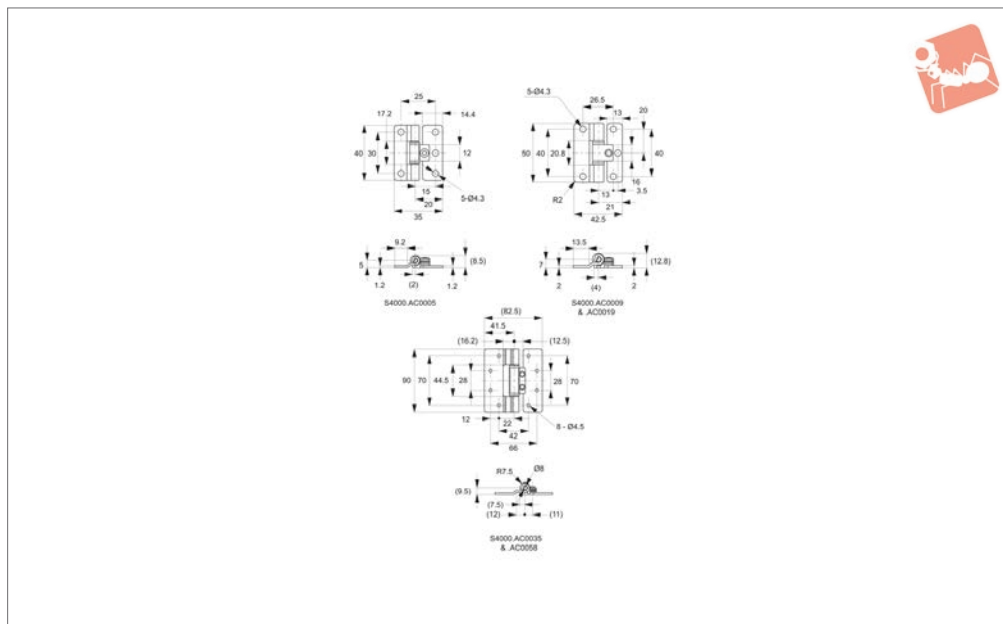
Important Notes

When correctly installed hinges require only a 3.9mm opening clearance between units.

Order No.	Type	Weight g
S2260.AC0010	Hinge	138
S2260.AC0050	Mounting Plate	81



S4000



Material

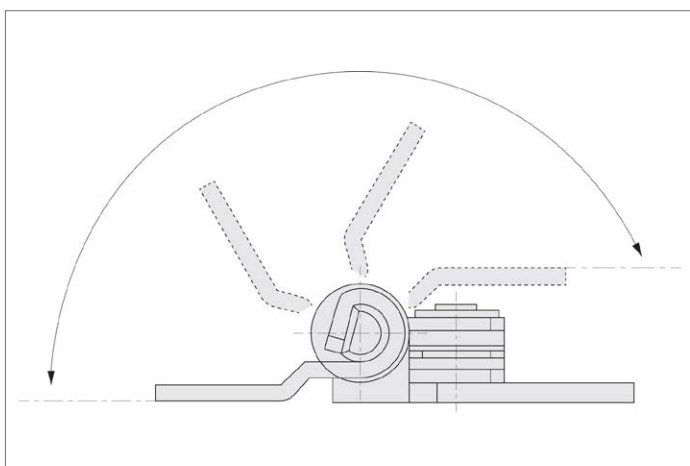
Body: stainless steel, AISI 304, polished.
Shaft: Stainless steel, AISI 303, polished.

Technical Notes

Friction torque hinge designed for holding lid/door in position. Stainless steel

construction for corrosive environments.
Operating temperature: -20°C to +60°C.

Order No.	Torque kgf/cm	Weight g
S4000.AC0005	±1	21
S4000.AC0009	5	51
S4000.AC0019	9	51
S4000.AC0035	19	195
S4000.AC0058	35	195



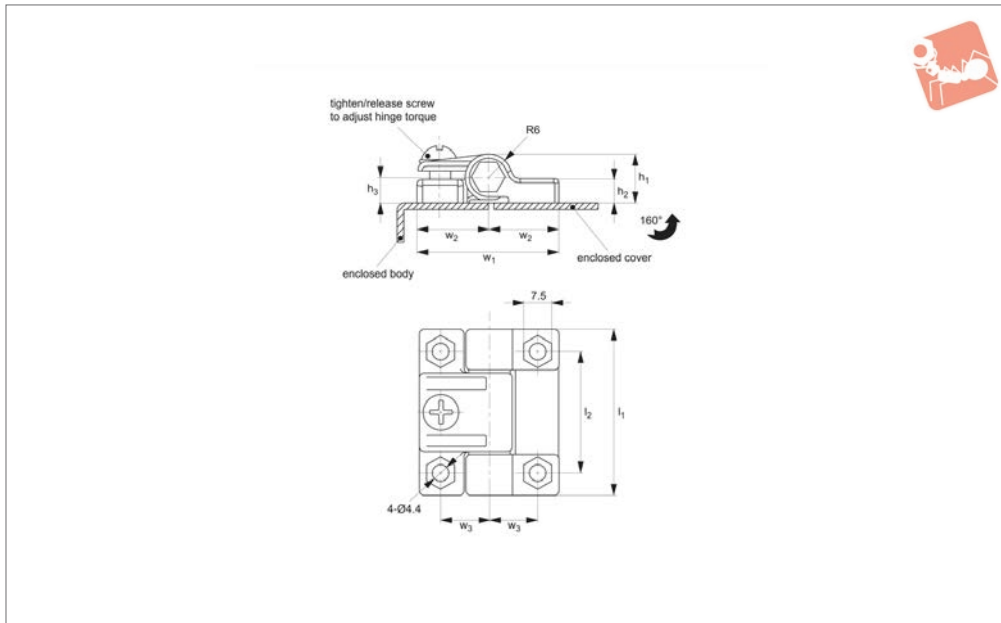


Adjustable Torque - Friction Hinge

polyamide - screw mount - plastic



Hinges



S4002

HINGES

Material

Body: polyamide, black finish.
Shaft: PC.

Supplied with: Fixing nuts and bolts.

Technical Notes

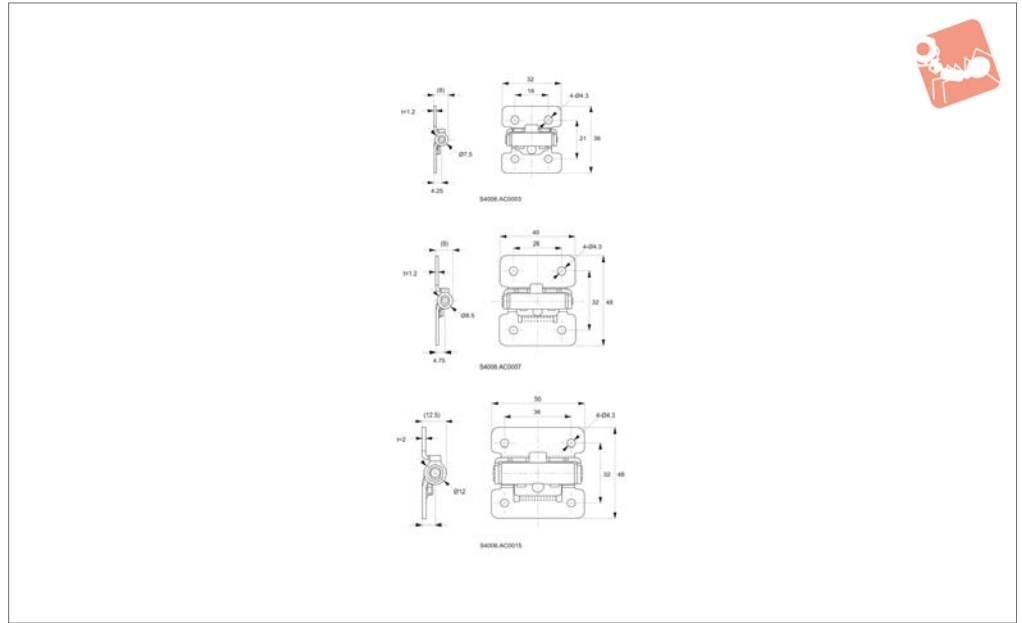
Opening angle 160°. Hinge torque adjusted by screw. Provides position control. Suitable for left hand and right

hand application.

Order No.	Torque kgf/cm max. ±1	h ₁	h ₂	h ₃	l ₁	l ₂	w ₁	w ₂	w ₃
S4002.AW0043	8	12.5	6	6.5	43	13.5	36	18	12.5



S4006



Material

Body: stainless steel, AISI 304. Fixing tube: polyacetal.

Technical Notes

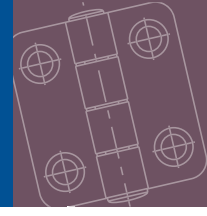
Friction torque hinge holds lids/covers over free stop angle between 0 - 180°.

Order No.	Torque/pair kgf/cm +40% -20%	Free stop angle
S4006.AC0003	3.5	0 - 180°
S4006.AC0007	7.0	0 - 180°
S4006.AC0015	15.0	0 - 180°

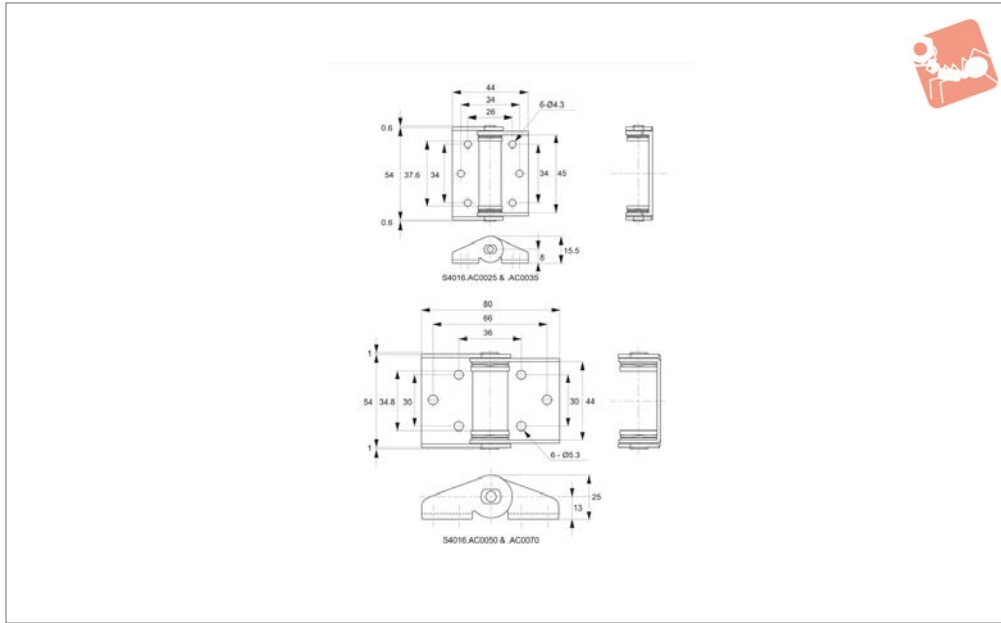


Constant Torque - Friction Hinges

screw mount - stainless



Hinges



S4016

HINGES

Material

Body: stainless steel, AISI 304, polished.
 Shaft: stainless steel, AISI 303.
 Washer: phosphor bronze.
 Spring washer: steel.

Technical Notes

Friction torque hinge designed for holding

monitors, displays etc in position.

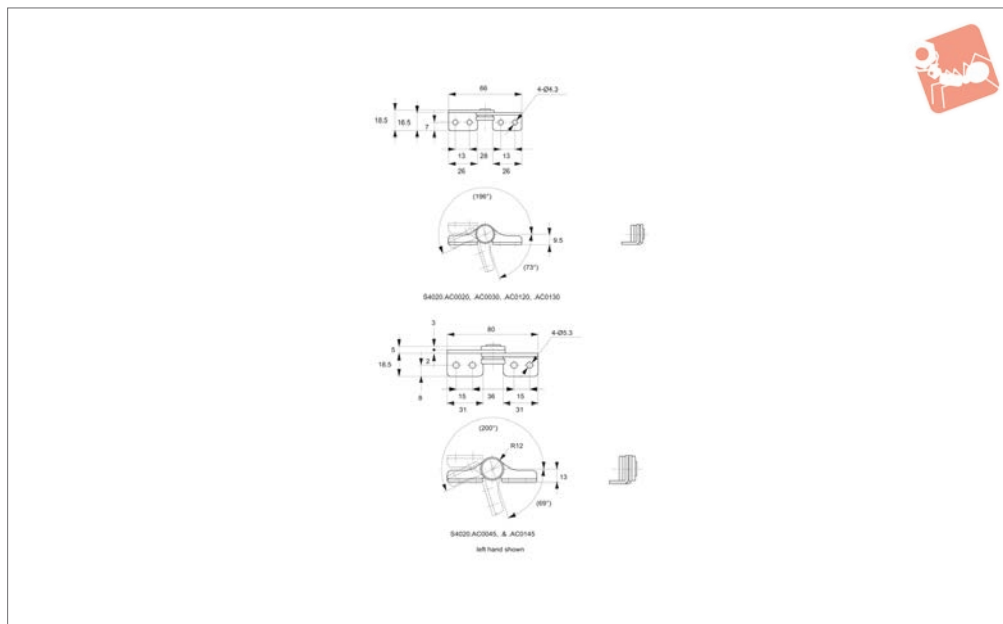
Important Notes

Applicable torque range 180°. Tested to 20,000 cycles, based on movement within a 45° range of movement. Temperature range -10 to +50°C.

Order No.	Torque kgf/cm ±20%	Weight g
S4016.AC0025	25	50
S4016.AC0035	35	50
S4016.AC0050	50	130
S4016.AC0070	70	130



S4020



Material

Body: stainless steel, AISI 430.

monitors, monitoring cameras, screens and displays. Consistent torque throughout free stop angle.

Technical Notes

Friction torque hinge ideal for mounting of

Order No.	Torque kgf/cm ±20%	Hand	Friction free stop angle	Weight g
S4020.AC0020	20.4	right	0-140°	30
S4020.AC0120	20.4	left	0-140°	30
S4020.AC0030	30.6	right	0-140°	30
S4020.AC0130	30.6	left	0-140°	30
S4020.AC0045	45.9	right	0-140°	65
S4020.AC0145	45.9	left	0-140°	65

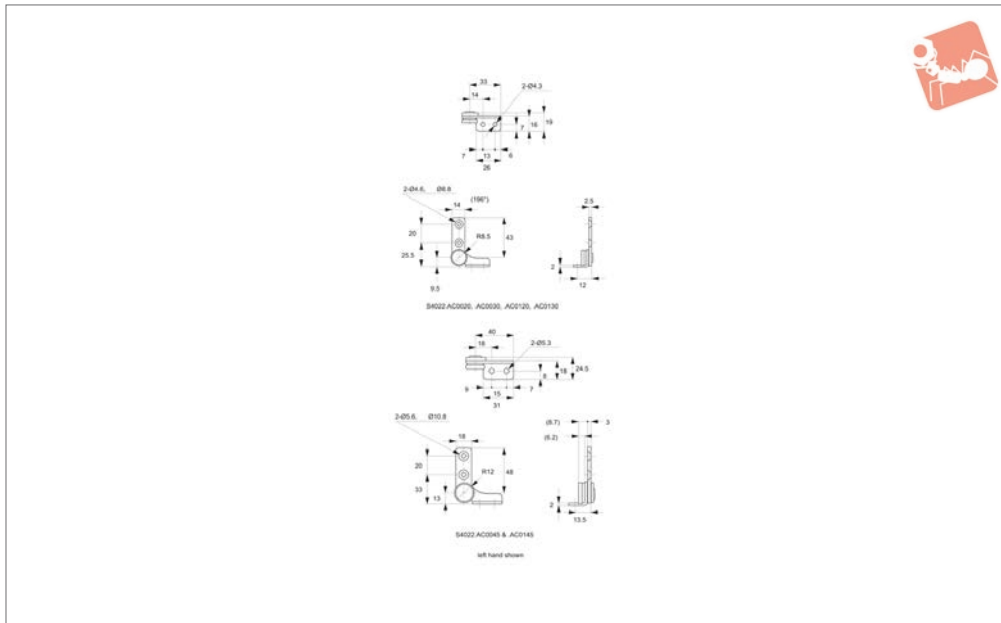


Constant Torque - Friction Torque

screw mount - stainless steel



Hinges



S4022

HINGES

Material

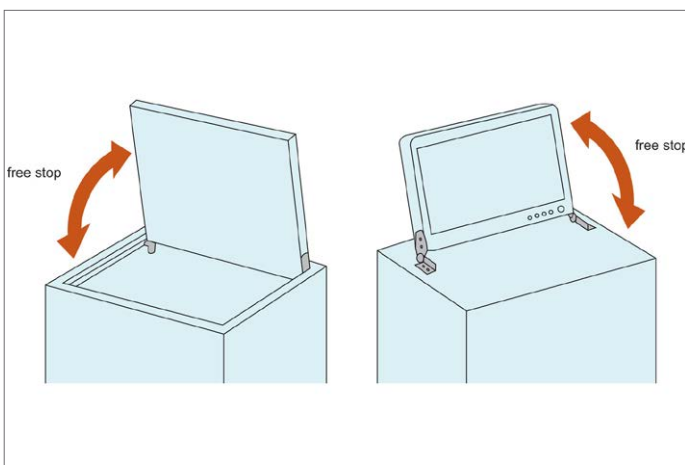
Body: stainless steel, AISI 430.

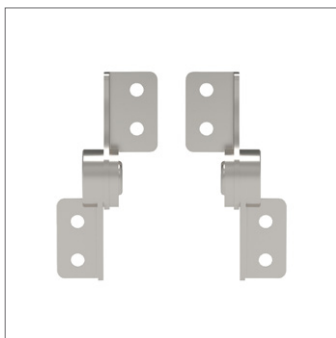
monitors, monitoring cameras, screens and displays. Consistent torque throughout free stop angle.

Technical Notes

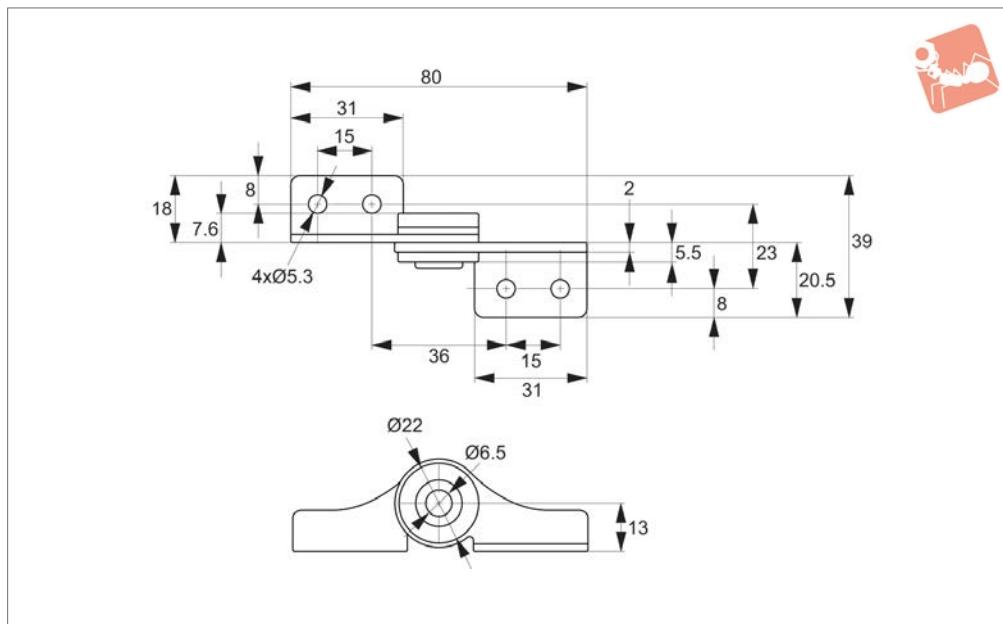
Friction torque hinge ideal for mounting of

Order No.	Torque kgf/cm ±20%	Hand	Opening angle	Weight g
S4022.AC0010	7.1	right	360°	31
S4022.AC0020	20.4	right	360°	30
S4022.AC0030	30.6	right	360°	30
S4022.AC0045	45.9	right	360°	65
S4022.AC0110	7.1	left	360°	31
S4022.AC0120	20.4	left	360°	30
S4022.AC0130	30.6	left	360°	30
S4022.AC0145	45.9	left	360°	65





S4024



Material

Bracket and Base- 430 Stainless, Plate-steel, Shaft and washer- 303 and 430 stainless steel.

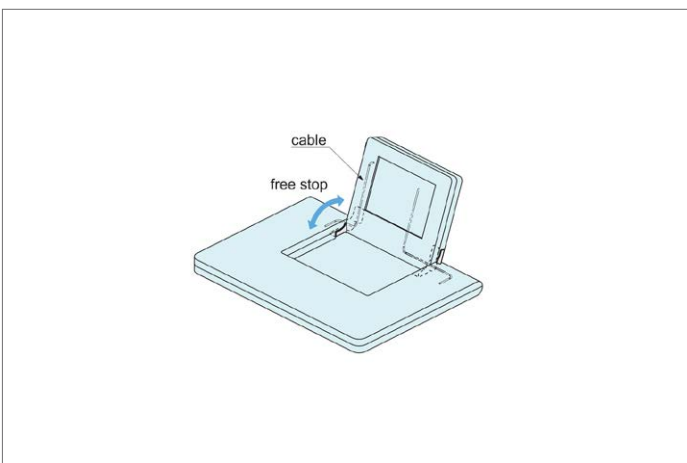
Technical Notes

Hole in shaft allows easy cable manage-

ment. Ideal for the holder of LCD and monitoring camera. Successful Passed for the 50,000 open/close private cycle test. Operating temperature: 0°C- 40°C. For pair using: Use the same torque moment in both hinges.

Torque moment per piece is 4.5 Nm ±20%.

Order No.	Type	Weight g
S4024.AC0010	Right/Wiring Hole	60
S4024.AC0020	Left/Wiring Hole	60



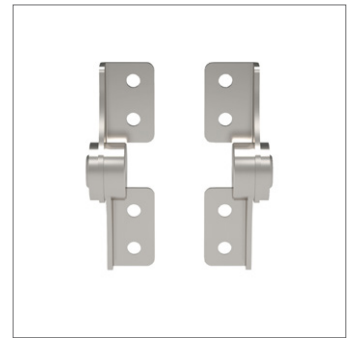
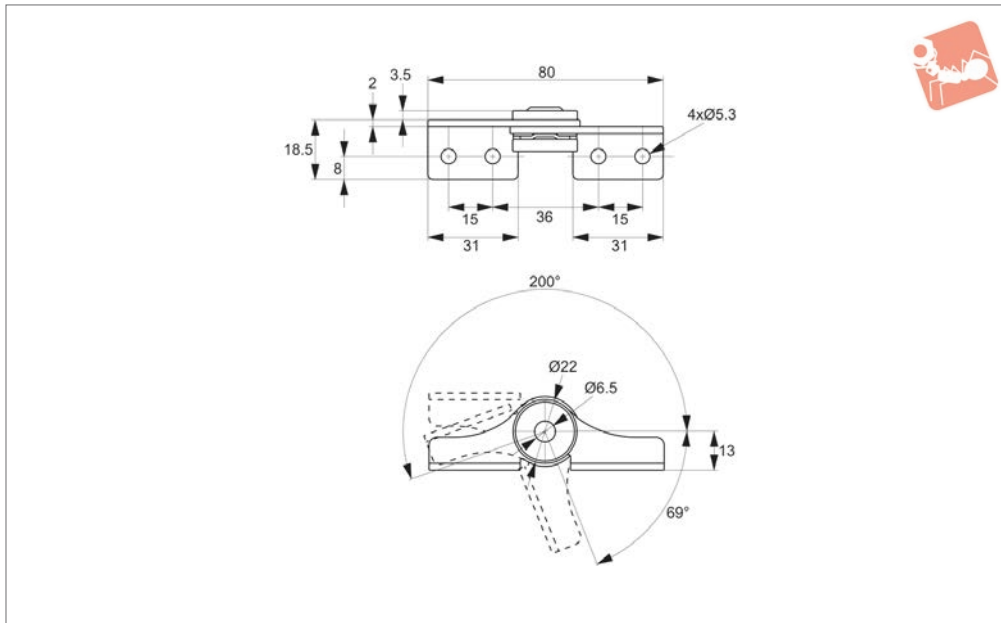


Constant Torque - Friction Torque

Friction Torque Hinges



Hinges



S4026

HINGES

Material

Bracket and Base- 430 Stainless, Plate-steel, Shaft and washer- 303 and 430 stainless steel.

Technical Notes

Hole in shaft allows easy cable manage-

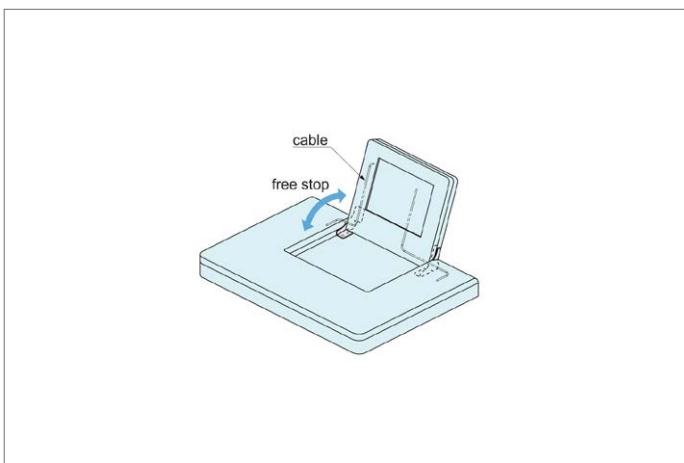
ment. Ideal for the holder of LCD and monitoring camera. Successfull Passed for the 50,000 open/close private cycle test. Torque moment per piece is 4.5 Nm \pm 20%.

Tips

Operating temperature: 0°C- 40°C.

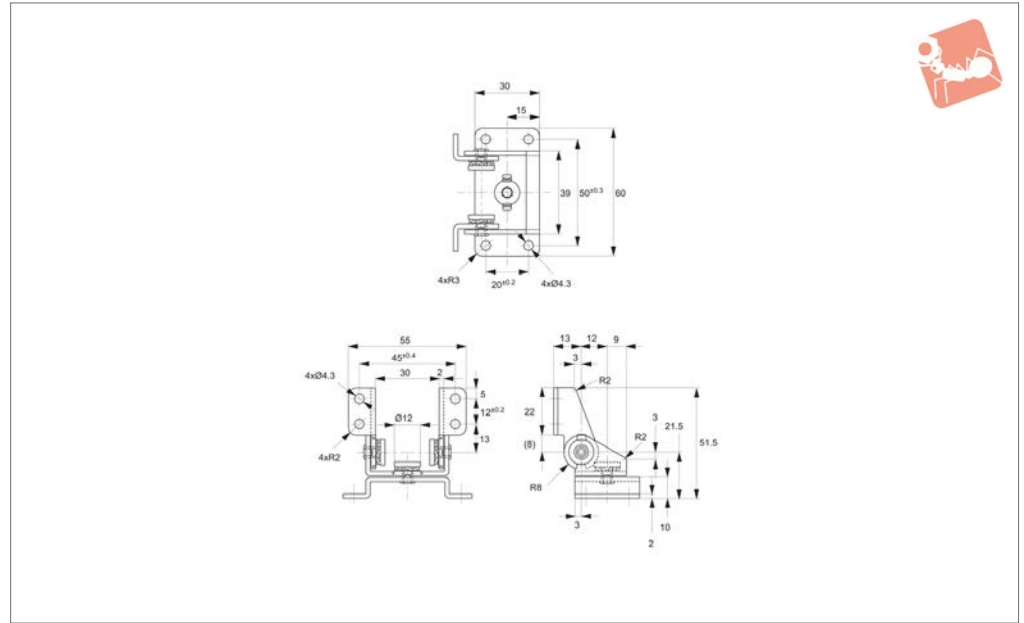
For pair using: Use the same torque moment in both hinges.

Order No.	Type	Weight g
S4026.AC0010	Right/Wiring Hole	60
S4026.AC0020	Left/Wiring Hole	60





S4030



Material

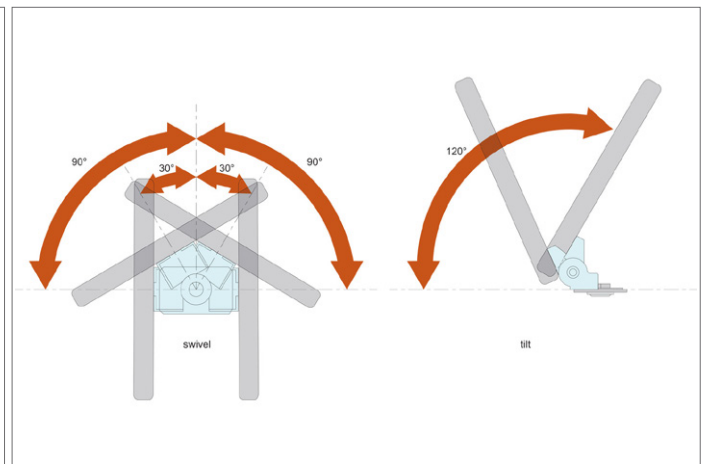
Body and base: stainless steel, AISI 430.

Technical Notes

Dual axis torque hinge with stability in

both axis. Ideal for mounting of monitor screens. Angle of swivel axis can be limited via use of pin/screw (not supplied).

Order No.	Swivel angle	Swivelling torque kgf/cm ±20%	Tilting angle	Tilting torque kgf/cm ±20%
S4030.AC0030	30°/90°	15	120°	30



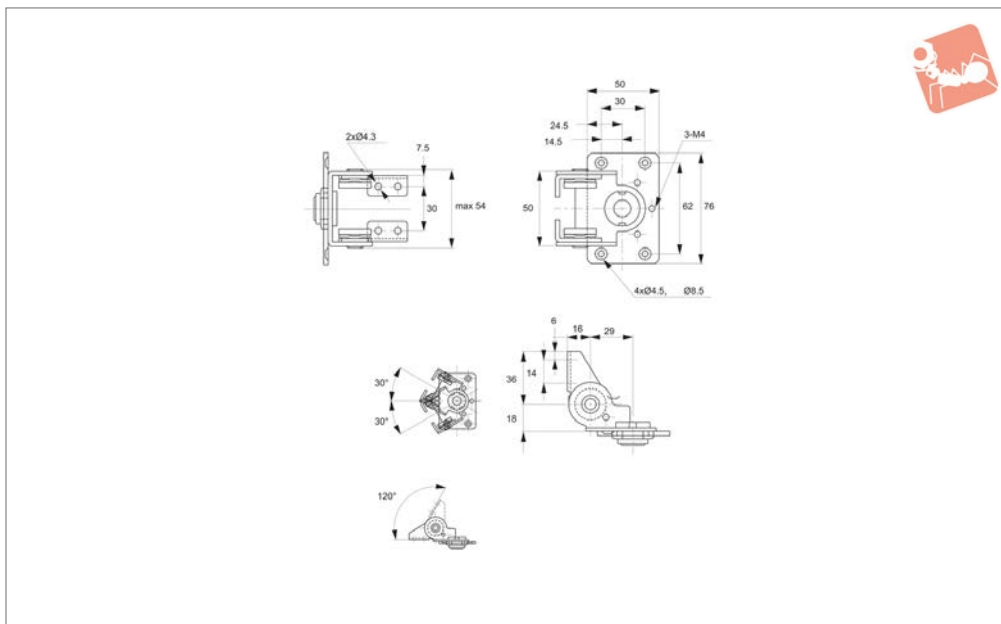


Constant Torque Hinge

dual axis fringe - screw mount - stainless



Hinges



S4032

HINGES

Material

Body and base: stainless steel, AISI 430.

Technical Notes

Dual axis torque hinge with stability in

both axis. Ideal for mounting of monitor screens. Angle of swivel axis can be limited via use of pin/screw (not supplied).

Order No.	Swivel angle	Swivelling torque kgf/cm ±20%	Tilting angle	Tilting torque kgf/cm ±15%
S4032.AC0030	30°/90°	30.5	120°	71.5

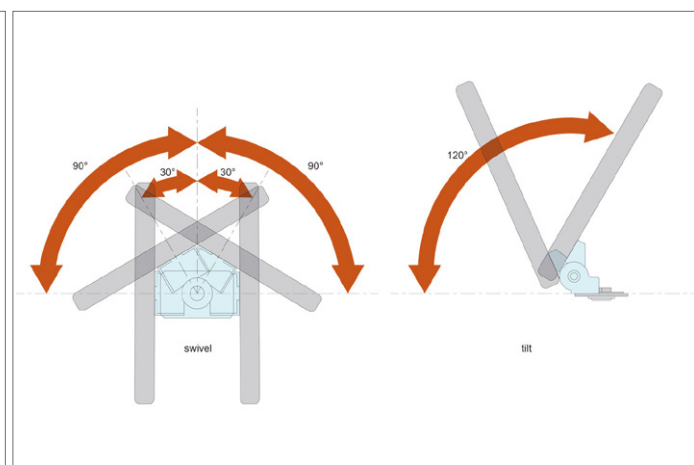
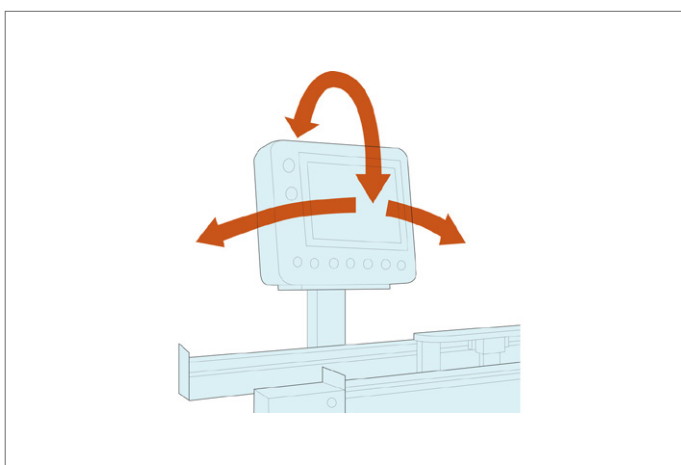

























Table of constant torque ranges					Torque Nm													
Part no.	Torque type	Shaft Rotation	Torque Nm		0,5	1,0	1,5	2,0	2,5	3,0	3,5	4,0	4,5	5,0	5,5	6,0	6,5	7,0
 S3810	Symmetric	360°	0,05 to 3,80		[Bar chart showing torque range from 0.05 to 3.80 Nm]													
 S3820	Symmetric/Asymmetric	360°	0,2 to 1,1		[Bar chart showing torque range from 0.2 to 1.1 Nm]													
 S3824	Symmetric/Asymmetric	360°	0,2 to 1,1		[Bar chart showing torque range from 0.2 to 1.1 Nm]													
 S3830	Symmetric/Asymmetric	270°	0,9 to 3,4		[Bar chart showing torque range from 0.9 to 3.4 Nm]													
 S3834	Symmetric/Asymmetric	270°	0,9 to 3,4		[Bar chart showing torque range from 0.9 to 3.4 Nm]													
 S3840	Symmetric/Asymmetric	270°	0,9 to 3,4		[Bar chart showing torque range from 0.9 to 3.4 Nm]													
 S3844	Symmetric/Asymmetric	270°	0,9 to 4,5		[Bar chart showing torque range from 0.9 to 4.5 Nm]													
 S3850	Symmetric/Asymmetric	270°	0,9 to 3,4		[Bar chart showing torque range from 0.9 to 3.4 Nm]													
 S3852	Symmetric/Asymmetric	270°	0,9 to 3,4		[Bar chart showing torque range from 0.9 to 3.4 Nm]													
 S3854	Symmetric/Asymmetric	270°	0,9 to 4,5		[Bar chart showing torque range from 0.9 to 4.5 Nm]													
 S3860	Symmetric	270°	3,5 to 7,0		[Bar chart showing torque range from 3.5 to 7.0 Nm]													
 S3870	Symmetric	90° and 360°	2,5 to 5,0		[Bar chart showing torque range from 2.5 to 5.0 Nm]													

Constant Torque Hinges S4000-S4032

Operating Principle
Wixroyd Constant Torque Hinges rely only on mechanical friction to achieve a stable torque. A range of different friction hinges are available to best suit your application.

Table of constant torque ranges				Torque Kgf.cm															
Part no.	Torque Kgf.cm			10	20	30	40	50	60	70	80	90	100	110	120	130	140	150	
 S4000	5 - 57.5			[Bar chart showing torque range from 5 to 57.5 Kgf.cm]															
 S4002	8			[Bar chart showing torque range from 8 to 8 Kgf.cm]															
 S4006	3.5 - 15.3			[Bar chart showing torque range from 3.5 to 15.3 Kgf.cm]															
 S4010	15 - 30			[Bar chart showing torque range from 15 to 30 Kgf.cm]															
 S4016	25 - 70			[Bar chart showing torque range from 25 to 70 Kgf.cm]															
 S4020	20 - 45.8			[Bar chart showing torque range from 20 to 45.8 Kgf.cm]															
 S4022	20 - 45.8			[Bar chart showing torque range from 20 to 45.8 Kgf.cm]															
 S4030	Tilting: 30.5 Swivelling: 15			[Bar chart showing torque range from 15 to 30.5 Kgf.cm]															
 S4032	Tilting: 71.5 Swivelling: 30.5			[Bar chart showing torque range from 30.5 to 71.5 Kgf.cm]															

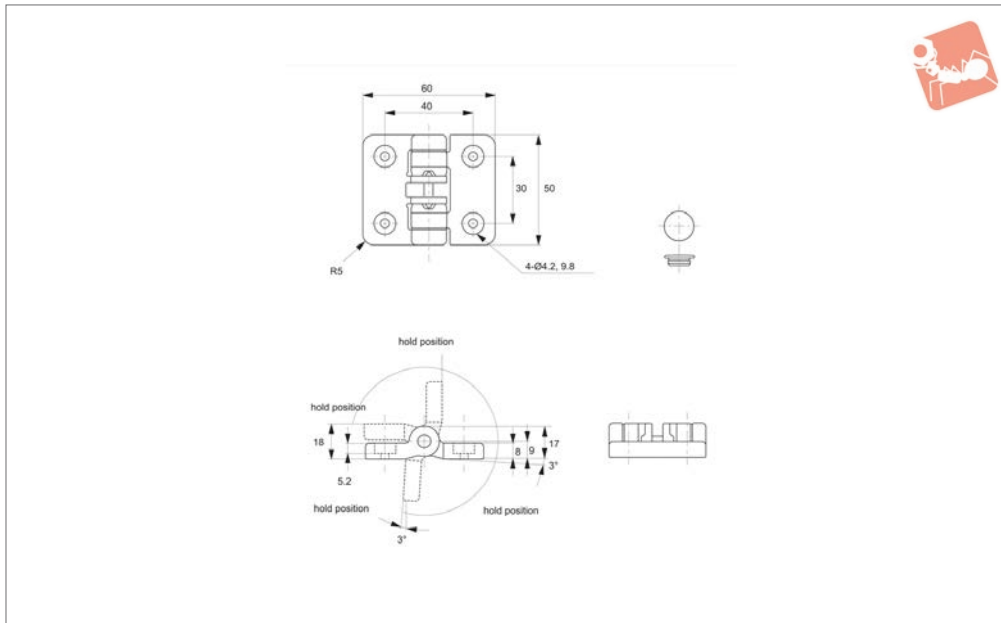


Detent Positioning Hinges

screw mount - plastic



Hinges



S4100

HINGES

Material

Body: polyacetal.
Caps: polypropylene.
Pin: AISI 304 stainless steel.

without secondary mechanical support.
Holding force approx. 5Kgf.cm.

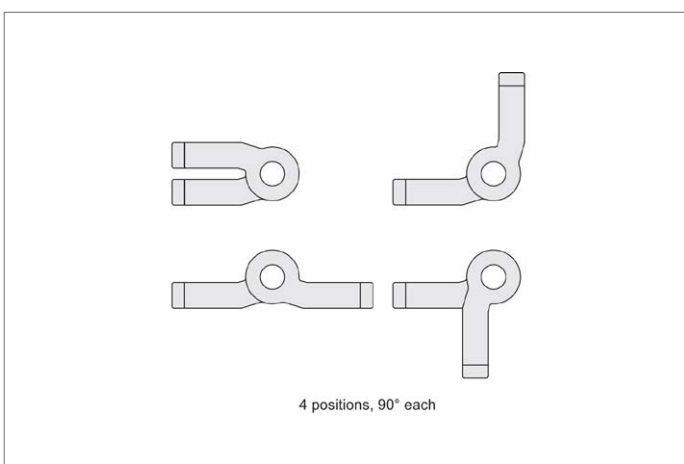
Tips

Suitable for medical, food processing and factory automation machines.

Technical Notes

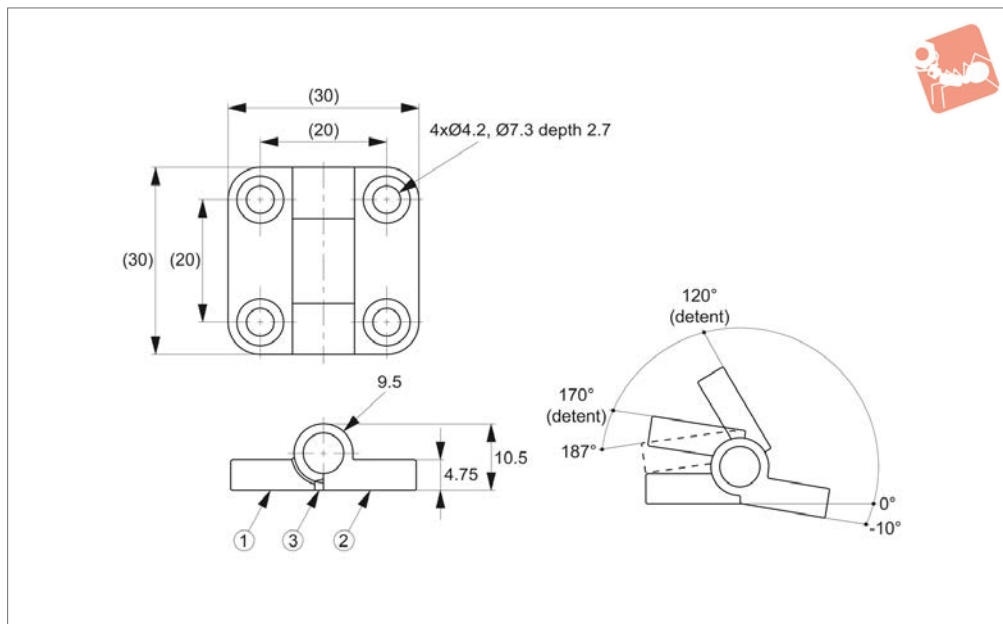
Holds doors open at 4x90° positions

Order No.	Colour	Weight g
S4100.AC0010	Ivory	30
S4100.AC0020	Black	30





S4102



Technical Notes

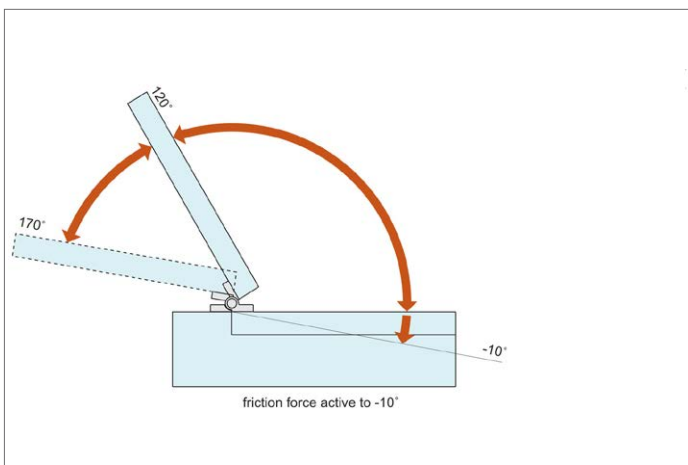
Plastic hinge holds doors at 3 different positions without secondary support (-10°, 120° and 170°). Can be used horizontally

or vertically. Additional stopper is recommended at 0° and 170°. Successfully passed for the 40,000 open/close private cycle test.

Tips

Recommended screw: Pan wood screw M4.

Order No.	Colour	Weight g
S4102.AW0010	Black	8
S4102.AW0020	White	8



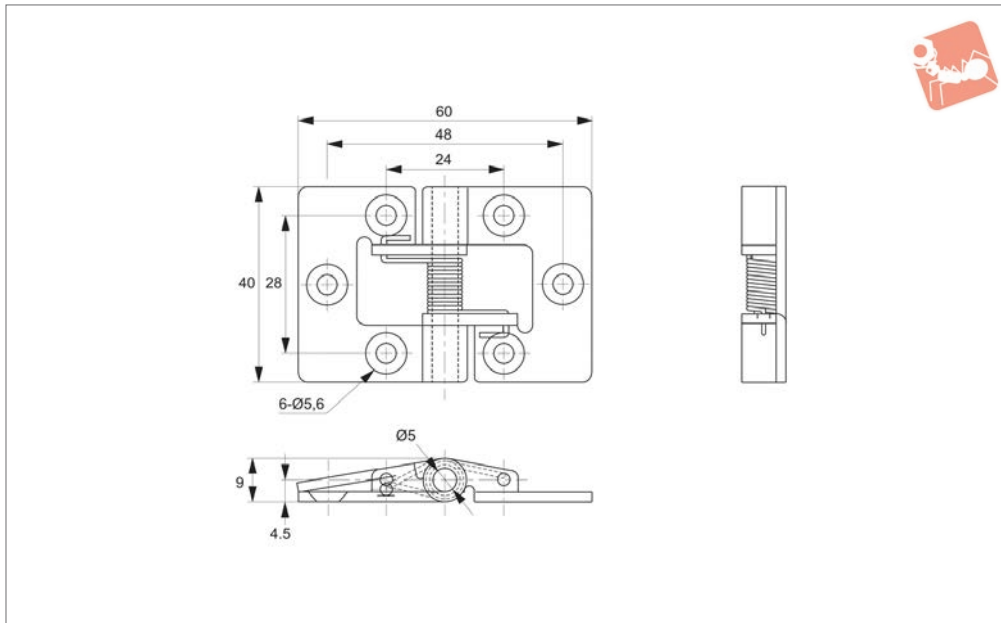


Spring Hinges - High Tension

screw mount - stainless



Hinges



S4200

HINGES

Material

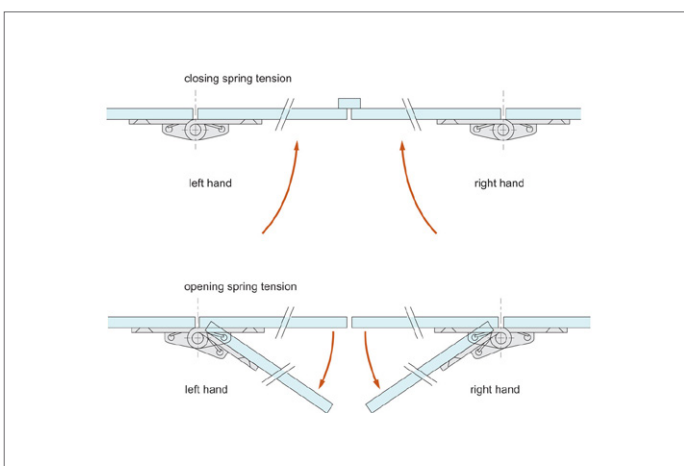
Stainless steel, AISI 304, polished finish.

opening type - spring works to keep door/
panel open; closing type - spring works to
close the door/panel.

Technical Notes

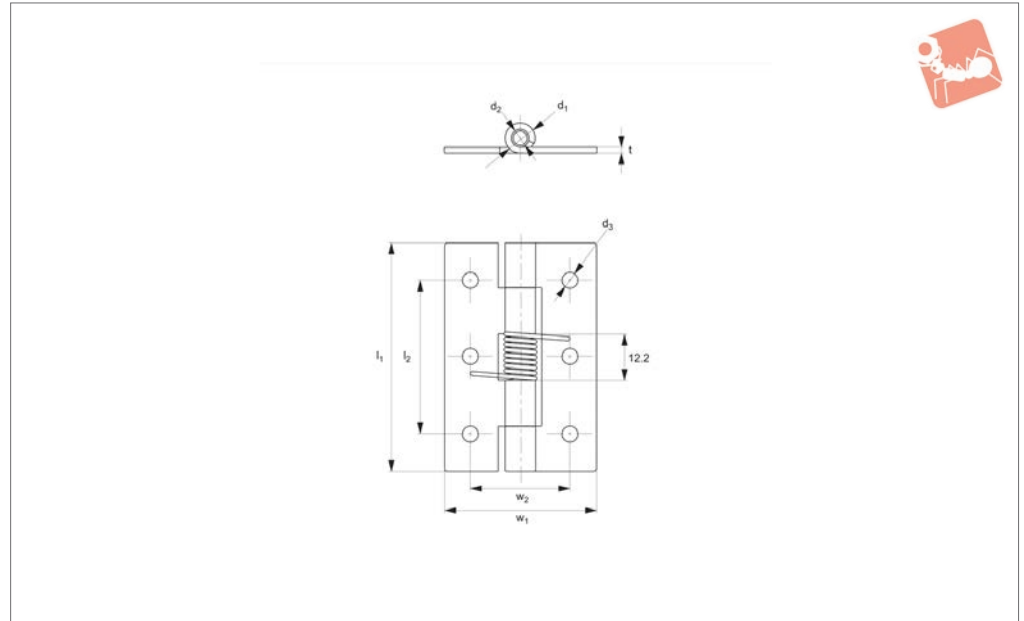
Two spring tension types available;

Order No.	Spring tension	Hand	Weight g
S4200.AC0010	Closing	Left	41
S4200.AC0110	Opening	Left	41
S4200.AC0020	Closing	Right	41
S4200.AC0120	Opening	Right	41





S4202



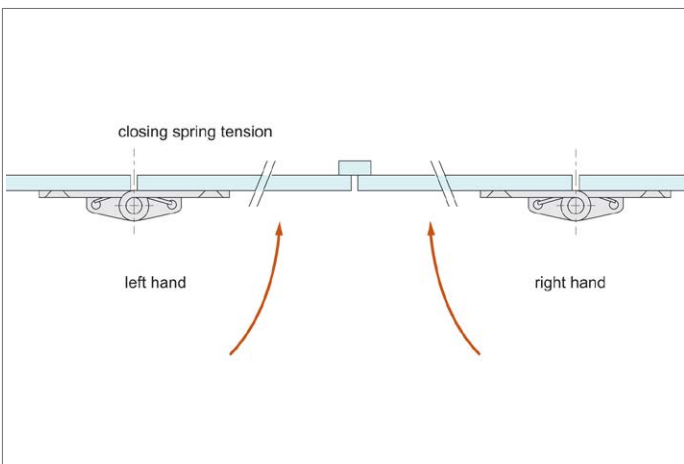
Material

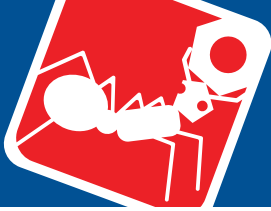
Stainless steel, AISI 304, plain finish.

Technical Notes

Spring tension in this hinge is designed to keep doors closed.

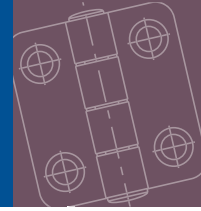
Order No.	Spring load kg	Spring tension	l_1	l_2	t	w_1	w_2	d_1	d_2	d_3	Weight g
S4202.AC0020	0.50	Closing	20	-	0.5	14	-	2.2	1	-	5
S4202.AC0025	0.55	Closing	25	14	1.2	32	20	5.8	3	3.2	10
S4202.AC0038	1.20	Closing	38	26	1.5	32	20	6.5	3	3.2	20
S4202.AC0051	0.80	Closing	51	32	1.5	38	25	6.5	3	3.2	35



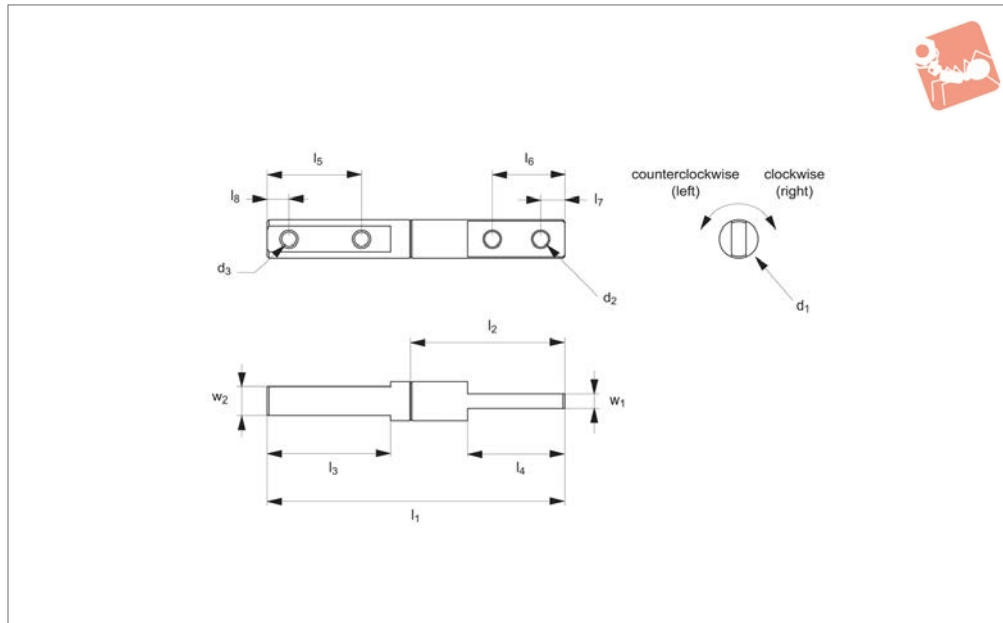


Friction Hinges

symmetric torque - 0,05-3,80 Nm. - plain bore



Hinges



S3810

HINGES

Material

Steel with nickel plating finish.

S3810.AC0003 and .AC0004 to within +/- 35%). 360° shaft rotation.

directions.

CW= clockwise.

CCW= counterclockwise.

Technical Notes

Tested to 10,000 cycles with static torque value remaining within +/- 25%. (Note;

Important Notes

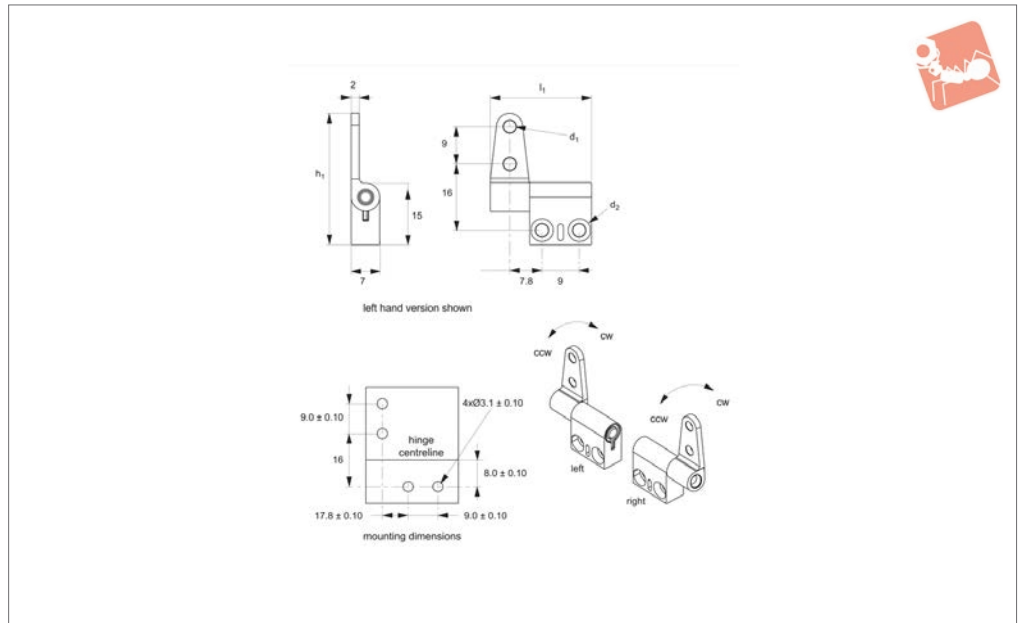
Symmetric hinges, offer same torque value in both clockwise and counterclockwise

Order No.	Dia. size	Torque CW Nm	Torque CCW Nm	Shaft rotation	Torque type	d ₁	d ₂	d ₃
S3810.AC0003	3	0.05	0.05	360°	Symmetric	3	-	-
S3810.AC0004	4	0.13	0.13	360°	Symmetric	4	2.2	2.2
S3810.AC0005	5	0.40	0.40	360°	Symmetric	5	2.6	2.6
S3810.AC0006	6	0.50	0.50	360°	Symmetric	6	3.2	3.2
S3810.AC0007	7	0.60	0.60	360°	Symmetric	7	3.7	3.7
S3810.AC0008	8	0.50	0.50	360°	Symmetric	8	3.2	3.2
S3810.AC0009	8	0.80	0.80	360°	Symmetric	8	3.2	3.2
S3810.AC0010	10	1.00	1.00	360°	Symmetric	10	4.3	4.3

Order No.	l ₁	l ₂	l ₃	l ₄	l ₅	l ₆	l ₇	l ₈	w ₁	w ₂
S3810.AC0003	27.0	9.2	8.0	8.0	-	-	-	-	1.5	-
S3810.AC0004	33.0	12.2	11.0	11.0	7.5	7.5	3.0	3.0	2.0	-
S3810.AC0005	39.0	15.2	14.0	14.0	10.5	10.5	3.5	3.5	2.0	-
S3810.AC0006	41.0	15.5	14.0	14.0	10.5	10.5	3.5	3.5	2.5	-
S3810.AC0007	47.0	18.0	16.0	16.0	12.0	12.0	4.0	4.0	3.0	-
S3810.AC0008	54.5	31.9	20.1	20.1	15.0	15.0	5.0	5.0	3.0	3.0
S3810.AC0009	54.5	31.9	20.1	20.1	15.0	15.0	5.0	5.0	3.0	3.0
S3810.AC0010	57.2	21.5	20.0	20.0	15.0	15.0	5.0	5.0	4.0	-



S3820



Material

Zinc alloy, steel and grease with natural finish.

Technical Notes

Tested to 25,000 cycles with static torque value remaining within +/- 20%.

Tips

For mounting and installation information

refer to technical diagram.

Also available with black oxide finish, on request and subject to min. quantity.

Important Notes

Symmetric hinges, offer same torque value in both clockwise and counterclockwise directions. Asymmetric hinges, offer different torque value in clockwise and counter-

clockwise directions - see data table.

CW= clockwise.

CCW= counterclockwise.

Order No.	Torque CW Nm	Torque CCW Nm	Shaft rotation	Hand	Torque type	d ₁	d ₂	h ₁	l ₁
S3820.AC0002	0.20	0.20	360°	Right	Symmetric	3.05	Ø5,44x2,54 dpt.	31.68	25.52
S3820.AC1002	0.20	0.20	360°	Left	Symmetric	3.05	Ø5,44x2,54 dpt.	31.68	25.52
S3820.AC0005	0.50	0.50	360°	Right	Symmetric	3.05	Ø5,44x2,54 dpt.	31.68	25.52
S3820.AC1005	0.50	0.50	360°	Left	Symmetric	3.05	Ø5,44x2,54 dpt.	31.68	25.52
S3820.AC0007	0.70	0.70	360°	Right	Symmetric	3.05	Ø5,44x2,54 dpt.	31.68	25.52
S3820.AC1007	0.70	0.70	360°	Left	Symmetric	3.05	Ø5,44x2,54 dpt.	31.68	25.52
S3820.AC0009	0.90	0.90	360°	Right	Symmetric	3.05	Ø5,44x2,54 dpt.	31.68	25.52
S3820.AC1009	0.90	0.90	360°	Left	Symmetric	3.05	Ø5,44x2,54 dpt.	31.68	25.52
S3820.AC0207	0.70	0.40	360°	Right	Asymmetric	3.05	Ø5,44x2,54 dpt.	31.68	25.52
S3820.AC1207	0.70	0.40	360°	Left	Asymmetric	3.05	Ø5,44x2,54 dpt.	31.68	25.52
S3820.AC0209	0.90	0.55	360°	Right	Asymmetric	3.05	Ø5,44x2,54 dpt.	31.68	25.52
S3820.AC1209	0.90	0.55	360°	Left	Asymmetric	3.05	Ø5,44x2,54 dpt.	31.68	25.52
S3820.AC0211	1.10	0.70	360°	Right	Asymmetric	3.05	Ø5,44x2,54 dpt.	31.68	25.52
S3820.AC1211	1.10	0.70	360°	Left	Asymmetric	3.05	Ø5,44x2,54 dpt.	31.68	25.52
S3820.AC0307	0.40	0.70	360°	Right	Asymmetric	3.05	Ø5,44x2,54 dpt.	31.68	25.52
S3820.AC1307	0.40	0.70	360°	Left	Asymmetric	3.05	Ø5,44x2,54 dpt.	31.68	25.52
S3820.AC0309	0.55	0.90	360°	Right	Asymmetric	3.05	Ø5,44x2,54 dpt.	31.68	25.52
S3820.AC1309	0.55	0.90	360°	Left	Asymmetric	3.05	Ø5,44x2,54 dpt.	31.68	25.52
S3820.AC0311	0.70	1.10	360°	Right	Asymmetric	3.05	Ø5,44x2,54 dpt.	31.68	25.52
S3820.AC1311	0.70	1.10	360°	Left	Asymmetric	3.05	Ø5,44x2,54 dpt.	31.68	25.52

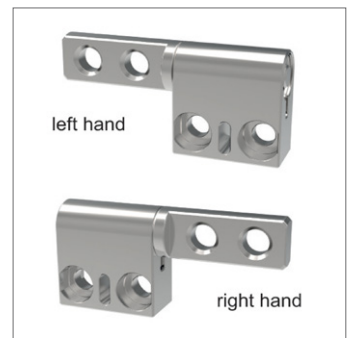
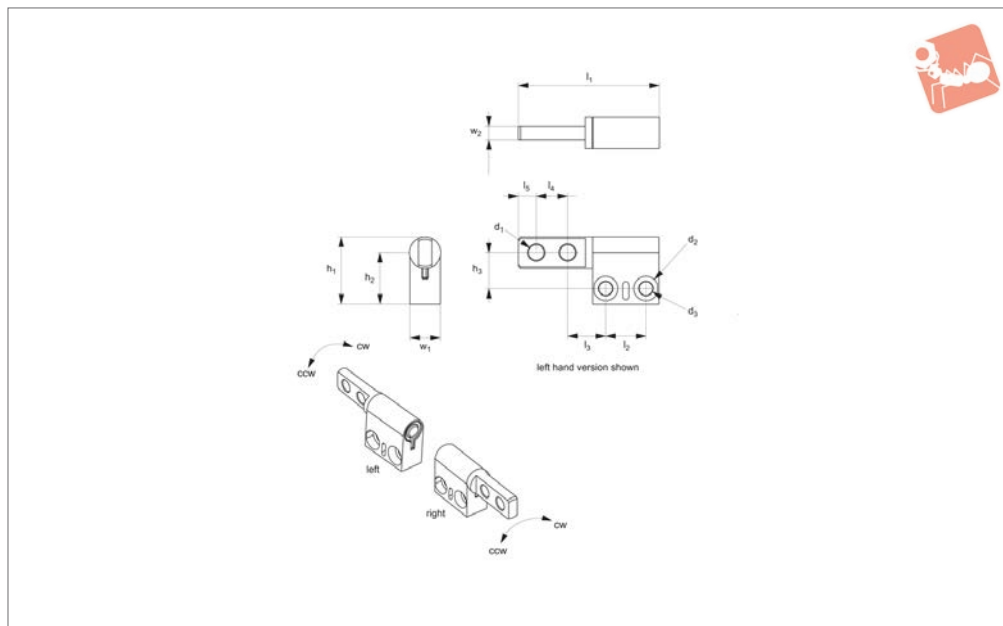


Friction Hinges

symmetric - asymmetric torque - 0,5-1,1 Nm. -



Hinges



S3824

HINGES

Material

Steel and zinc with natural finish.

Technical Notes

Tested to 25,000 cycles with static torque value remaining within +/- 20%.

Tips

Also available as black oxide finish, on

request and subject to min. quantity.

Important Notes

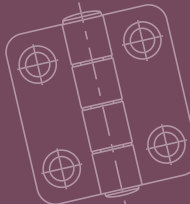
Symmetric hinges, offer same torque value in both clockwise and counterclockwise directions. Asymmetric hinges, offer different torque value in clockwise and counterclockwise directions - see data table.

CW= clockwise

CCW= counterclockwise

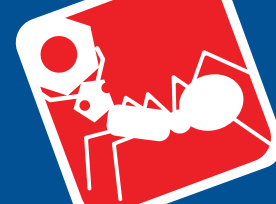
Order No.	Torque CW Nm	Torque CCW Nm	Shaft rotation	Hand	Torque type	d ₁	d ₂
S3824.AC0002	0.20	0.20	360°	Right	Symmetric	3.5	Ø5,44x2,54 dpt.
S3824.AC0005	0.50	0.50	360°	Right	Symmetric	3.5	Ø5,44x2,54 dpt.
S3824.AC0007	0.70	0.70	360°	Right	Symmetric	3.5	Ø5,44x2,54 dpt.
S3824.AC0009	0.90	0.90	360°	Right	Symmetric	3.5	Ø5,44x2,54 dpt.
S3824.AC0207	0.70	0.40	360°	Right	Asymmetric	3.5	Ø5,44x2,54 dpt.
S3824.AC0209	0.90	0.55	360°	Right	Asymmetric	3.5	Ø5,44x2,54 dpt.
S3824.AC0211	1.10	0.70	360°	Right	Asymmetric	3.5	Ø5,44x2,54 dpt.
S3824.AC0307	0.40	0.70	360°	Right	Asymmetric	3.5	Ø5,44x2,54 dpt.
S3824.AC0309	0.55	0.90	360°	Right	Asymmetric	3.5	Ø5,44x2,54 dpt.
S3824.AC0311	0.70	1.10	360°	Right	Asymmetric	3.5	Ø5,44x2,54 dpt.
S3824.AC1002	0.20	0.20	360°	Left	Symmetric	3.5	Ø5,44x2,54 dpt.
S3824.AC1005	0.50	0.50	360°	Left	Symmetric	3.5	Ø5,44x2,54 dpt.
S3824.AC1007	0.70	0.70	360°	Left	Symmetric	3.5	Ø5,44x2,54 dpt.
S3824.AC1009	0.90	0.90	360°	Left	Symmetric	3.5	Ø5,44x2,54 dpt.
S3824.AC1207	0.70	0.40	360°	Left	Asymmetric	3.5	Ø5,44x2,54 dpt.
S3824.AC1209	0.90	0.55	360°	Left	Asymmetric	3.5	Ø5,44x2,54 dpt.
S3824.AC1211	1.10	0.70	360°	Left	Asymmetric	3.5	Ø5,44x2,54 dpt.
S3824.AC1307	0.40	0.70	360°	Left	Asymmetric	3.5	Ø5,44x2,54 dpt.
S3824.AC1309	0.55	0.90	360°	Left	Asymmetric	3.5	Ø5,44x2,54 dpt.
S3824.AC1311	0.70	1.10	360°	Left	Asymmetric	3.5	Ø5,44x2,54 dpt.

Order No.	d ₃	h ₁	h ₂	h ₃	l ₁	l ₂	l ₃	l ₄	l ₅	w ₁	w ₂
S3824.AC0002	3.05	15	12	8	32	9	9	7	4	7	3
S3824.AC0005	3.05	15	12	8	32	9	9	7	4	7	3
S3824.AC0007	3.05	15	12	8	32	9	9	7	4	7	3
S3824.AC0009	3.05	15	12	8	32	9	9	7	4	7	3
S3824.AC0207	3.05	15	12	8	32	9	9	7	4	7	3
S3824.AC0209	3.05	15	12	8	32	9	9	7	4	7	3
S3824.AC0211	3.05	15	12	8	32	9	9	7	4	7	3



Friction Hinges

symmetric - asymmetric torque - 0,5-1,1 Nm. -

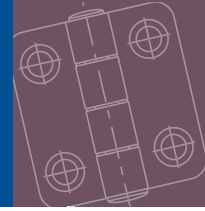


Order No.	d ₃	h ₁	h ₂	h ₃	l ₁	l ₂	l ₃	l ₄	l ₅	w ₁	w ₂
S3824.AC0307	3.05	15	12	8	32	9	9	7	4	7	3
S3824.AC0309	3.05	15	12	8	32	9	9	7	4	7	3
S3824.AC0311	3.05	15	12	8	32	9	9	7	4	7	3
S3824.AC1002	3.05	15	12	8	32	9	9	7	4	7	3
S3824.AC1005	3.05	15	12	8	32	9	9	7	4	7	3
S3824.AC1007	3.05	15	12	8	32	9	9	7	4	7	3
S3824.AC1009	3.05	15	12	8	32	9	9	7	4	7	3
S3824.AC1207	3.05	15	12	8	32	9	9	7	4	7	3
S3824.AC1209	3.05	15	12	8	32	9	9	7	4	7	3
S3824.AC1211	3.05	15	12	8	32	9	9	7	4	7	3
S3824.AC1307	3.05	15	12	8	32	9	9	7	4	7	3
S3824.AC1309	3.05	15	12	8	32	9	9	7	4	7	3
S3824.AC1311	3.05	15	12	8	32	9	9	7	4	7	3

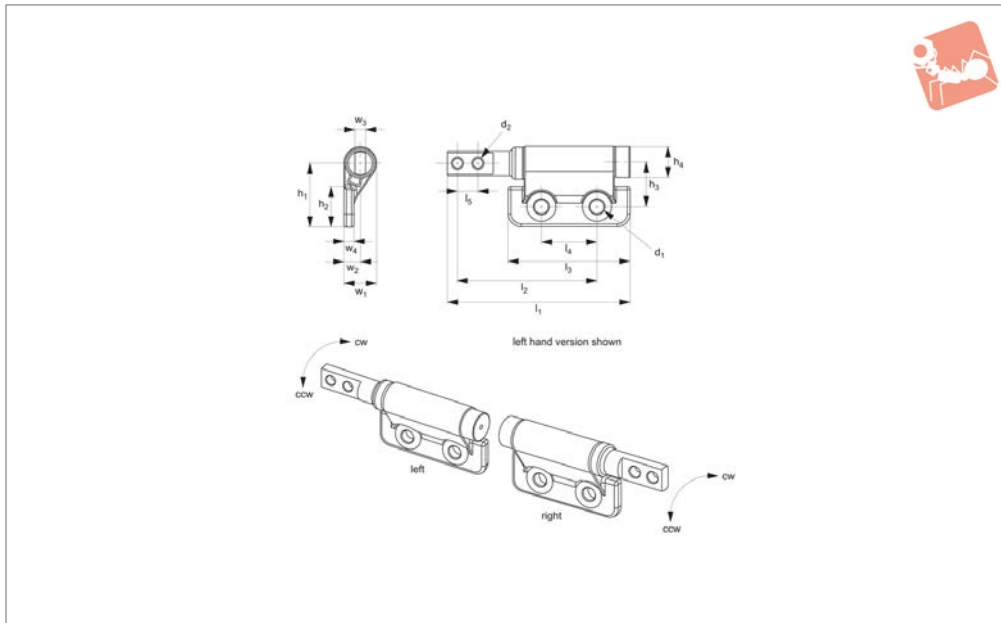


Friction Hinges

symmetric - asymmetric torque - 0,0-3,4 Nm. - plain



Hinges



S3830

HINGES

Material

Zinc alloy, steel, grease and o-ring with natural finish.

Technical Notes

Tested to 25,000 cycles with static torque value remaining within +/- 20%. Oil ring seals against environmental contamination.

tion.

Tips

Also available as black oxide finish, on request and subject to min. quantity.

Important Notes

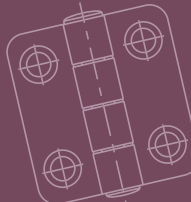
Symmetric hinges, offer same torque value

in both clockwise and counterclockwise directions. Asymmetric hinges, offer different torque value in clockwise and counterclockwise directions - see data table.

CW= clockwise.

CCW= counterclockwise.

Order No.	Torque CW Nm	Torque CCW Nm	Shaft rotation	Hand	Torque type	d ₁	d ₂
S3830.AC0000	0.0	0.0	270°	Right	Symmetric	5	3.3
S3830.AC0009	0.9	0.9	270°	Right	Symmetric	5	3.3
S3830.AC0014	1.4	1.4	270°	Right	Symmetric	5	3.3
S3830.AC0018	1.8	1.8	270°	Right	Symmetric	5	3.3
S3830.AC0023	2.3	2.3	270°	Right	Symmetric	5	3.3
S3830.AC0027	2.7	2.7	270°	Right	Symmetric	5	3.3
S3830.AC0214	1.4	0.8	270°	Right	Asymmetric	5	3.3
S3830.AC0218	1.8	1.1	270°	Right	Asymmetric	5	3.3
S3830.AC0223	2.3	1.4	270°	Right	Asymmetric	5	3.3
S3830.AC0227	2.7	1.6	270°	Right	Asymmetric	5	3.3
S3830.AC0234	3.4	2.0	270°	Right	Asymmetric	5	3.3
S3830.AC0314	0.8	1.4	270°	Right	Asymmetric	5	3.3
S3830.AC0318	1.1	1.8	270°	Right	Asymmetric	5	3.3
S3830.AC0323	1.4	2.3	270°	Right	Asymmetric	5	3.3
S3830.AC0327	1.6	2.7	270°	Right	Asymmetric	5	3.3
S3830.AC0334	2.0	3.4	270°	Right	Asymmetric	5	3.3
S3830.AC1000	0.0	0.0	270°	Left	Symmetric	5	3.3
S3830.AC1009	0.9	0.9	270°	Left	Symmetric	5	3.3
S3830.AC1014	1.4	1.4	270°	Left	Symmetric	5	3.3
S3830.AC1018	1.8	1.8	270°	Left	Symmetric	5	3.3
S3830.AC1023	2.3	2.3	270°	Left	Symmetric	5	3.3
S3830.AC1027	2.7	2.7	270°	Left	Symmetric	5	3.3
S3830.AC1214	1.4	0.8	270°	Left	Asymmetric	5	3.3
S3830.AC1218	1.8	1.1	270°	Left	Asymmetric	5	3.3
S3830.AC1223	2.3	1.4	270°	Left	Asymmetric	5	3.3
S3830.AC1227	2.7	1.6	270°	Left	Asymmetric	5	3.3
S3830.AC1234	3.4	2.0	270°	Left	Asymmetric	5	3.3
S3830.AC1314	0.8	1.4	270°	Left	Asymmetric	5	3.3
S3830.AC1318	1.1	1.8	270°	Left	Asymmetric	5	3.3
S3830.AC1323	1.4	2.3	270°	Left	Asymmetric	5	3.3



Order No.	Torque CW Nm	Torque CCW Nm	Shaft rotation	Hand	Torque type	d ₁	d ₂
S3830.AC1327	1.6	2.7	270°	Left	Asymmetric	5	3.3
S3830.AC1334	2.0	3.4	270°	Left	Asymmetric	5	3.3

Order No.	h ₁	h ₂	h ₃	l ₁	l ₂	l ₃	l ₄	l ₅	w ₁	w ₂	w ₃	w ₄
S3830.AC0000	20	12.5	14	57.15	43.76	38	17.8	6.35	10	5	3.18	3
S3830.AC0009	20	12.5	14	57.15	43.76	38	17.8	6.35	10	5	3.18	3
S3830.AC0014	20	12.5	14	57.15	43.76	38	17.8	6.35	10	5	3.18	3
S3830.AC0018	20	12.5	14	57.15	43.76	38	17.8	6.35	10	5	3.18	3
S3830.AC0023	20	12.5	14	57.15	43.76	38	17.8	6.35	10	5	3.18	3
S3830.AC0027	20	12.5	14	57.15	43.76	38	17.8	6.35	10	5	3.18	3
S3830.AC0214	20	12.5	14	57.15	43.76	38	17.8	6.35	10	5	3.18	3
S3830.AC0218	20	12.5	14	57.15	43.76	38	17.8	6.35	10	5	3.18	3
S3830.AC0223	20	12.5	14	57.15	43.76	38	17.8	6.35	10	5	3.18	3
S3830.AC0227	20	12.5	14	57.15	43.76	38	17.8	6.35	10	5	3.18	3
S3830.AC0234	20	12.5	14	57.15	43.76	38	17.8	6.35	10	5	3.18	3
S3830.AC0314	20	12.5	14	57.15	43.76	38	17.8	6.35	10	5	3.18	3
S3830.AC0318	20	12.5	14	57.15	43.76	38	17.8	6.35	10	5	3.18	3
S3830.AC0323	20	12.5	14	57.15	43.76	38	17.8	6.35	10	5	3.18	3
S3830.AC0327	20	12.5	14	57.15	43.76	38	17.8	6.35	10	5	3.18	3
S3830.AC0334	20	12.5	14	57.15	43.76	38	17.8	6.35	10	5	3.18	3
S3830.AC1000	20	12.5	14	57.15	43.76	38	17.8	6.35	10	5	3.18	3
S3830.AC1009	20	12.5	14	57.15	43.76	38	17.8	6.35	10	5	3.18	3
S3830.AC1014	20	12.5	14	57.15	43.76	38	17.8	6.35	10	5	3.18	3
S3830.AC1018	20	12.5	14	57.15	43.76	38	17.8	6.35	10	5	3.18	3
S3830.AC1023	20	12.5	14	57.15	43.76	38	17.8	6.35	10	5	3.18	3
S3830.AC1027	20	12.5	14	57.15	43.76	38	17.8	6.35	10	5	3.18	3
S3830.AC1214	20	12.5	14	57.15	43.76	38	17.8	6.35	10	5	3.18	3
S3830.AC1218	20	12.5	14	57.15	43.76	38	17.8	6.35	10	5	3.18	3
S3830.AC1223	20	12.5	14	57.15	43.76	38	17.8	6.35	10	5	3.18	3
S3830.AC1227	20	12.5	14	57.15	43.76	38	17.8	6.35	10	5	3.18	3
S3830.AC1234	20	12.5	14	57.15	43.76	38	17.8	6.35	10	5	3.18	3
S3830.AC1314	20	12.5	14	57.15	43.76	38	17.8	6.35	10	5	3.18	3
S3830.AC1318	20	12.5	14	57.15	43.76	38	17.8	6.35	10	5	3.18	3
S3830.AC1323	20	12.5	14	57.15	43.76	38	17.8	6.35	10	5	3.18	3
S3830.AC1327	20	12.5	14	57.15	43.76	38	17.8	6.35	10	5	3.18	3
S3830.AC1334	20	12.5	14	57.15	43.76	38	17.8	6.35	10	5	v	3

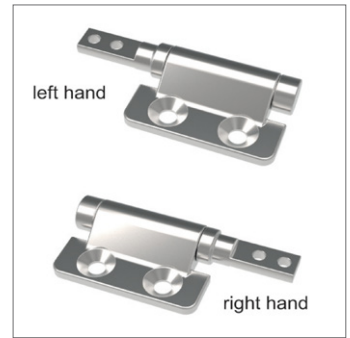
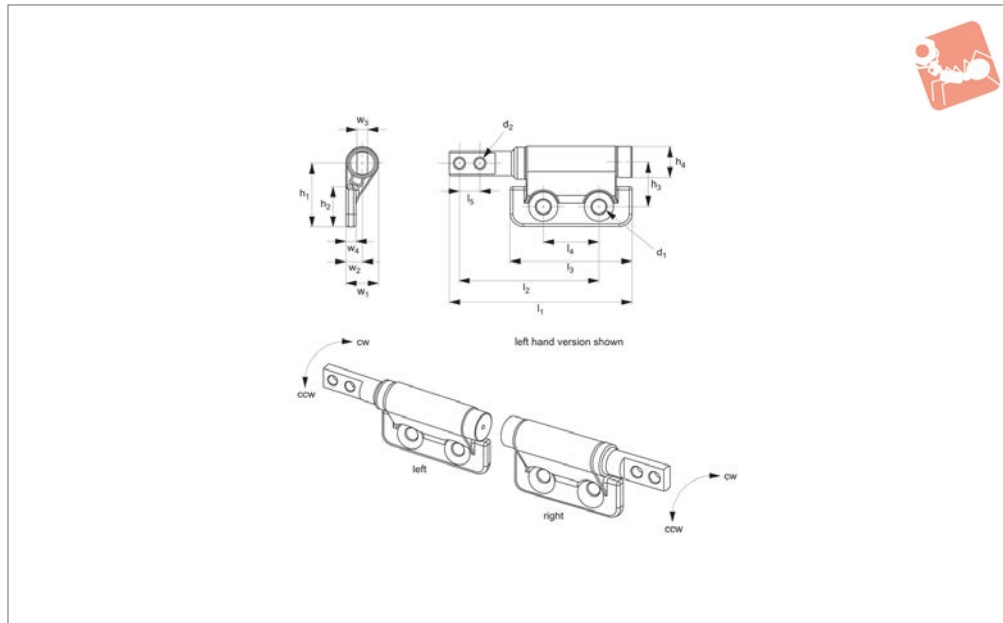


Friction Hinges

symmetric - asymmetric torque - 0,0-3,4 Nm. -



Hinges



S3834

HINGES

Material

Zinc alloy, steel, grease and o-ring with natural finish.

Technical Notes

Tested to 25,000 cycles with static torque value remaining within +/- 20%. 270° shaft rotation. Oil ring seals against envi-

ronmental contamination.

Tips

Also available as black oxide finish, on request and subject to min. quantity.

Important Notes

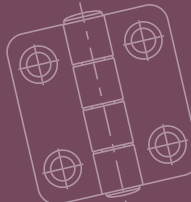
Symmetric hinges, offer same torque value

in both clockwise and counterclockwise directions. Asymmetric hinges, offer different torque value in clockwise and counterclockwise directions - see data table.

CW= clockwise.

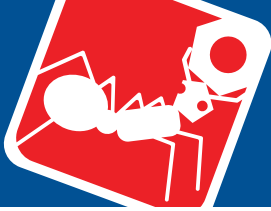
CCW= counterclockwise.

Order No.	Torque CW Nm	Torque CCW Nm	Shaft rotation	Hand	Torque type	d ₁	d ₂
S3834.AC0000	0.0	0.0	270°	Right	Symmetric	4.5	3.3
S3834.AC0009	0.9	0.9	270°	Right	Symmetric	4.5	3.3
S3834.AC0014	1.4	1.4	270°	Right	Symmetric	4.5	3.3
S3834.AC0018	1.8	1.8	270°	Right	Symmetric	4.5	3.3
S3834.AC0023	2.3	2.3	270°	Right	Symmetric	4.5	3.3
S3834.AC0027	2.7	2.7	270°	Right	Symmetric	4.5	3.3
S3834.AC0214	1.4	0.8	270°	Right	Asymmetric	4.5	3.3
S3834.AC0218	1.8	1.1	270°	Right	Asymmetric	4.5	3.3
S3834.AC0223	2.3	1.4	270°	Right	Asymmetric	4.5	3.3
S3834.AC0227	2.7	1.6	270°	Right	Asymmetric	4.5	3.3
S3834.AC0234	3.4	2.0	270°	Right	Asymmetric	4.5	3.3
S3834.AC0314	0.8	1.4	270°	Right	Asymmetric	4.5	3.3
S3834.AC0318	1.1	1.8	270°	Right	Asymmetric	4.5	3.3
S3834.AC0323	1.4	2.3	270°	Right	Asymmetric	4.5	3.3
S3834.AC0327	1.6	2.7	270°	Right	Asymmetric	4.5	3.3
S3834.AC0334	2.0	3.4	270°	Right	Asymmetric	4.5	3.3
S3834.AC1000	0.0	0.0	270°	Left	Symmetric	4.5	3.3
S3834.AC1009	0.9	0.9	270°	Left	Symmetric	4.5	3.3
S3834.AC1014	1.4	1.4	270°	Left	Symmetric	4.5	3.3
S3834.AC1018	1.8	1.8	270°	Left	Symmetric	4.5	3.3
S3834.AC1023	2.3	2.3	270°	Left	Symmetric	4.5	3.3
S3834.AC1027	2.7	2.7	270°	Left	Symmetric	4.5	3.3
S3834.AC1214	1.4	0.8	270°	Left	Asymmetric	4.5	3.3
S3834.AC1218	1.8	1.1	270°	Left	Asymmetric	4.5	3.3
S3834.AC1223	2.3	1.4	270°	Left	Asymmetric	4.5	3.3
S3834.AC1227	2.7	1.6	270°	Left	Asymmetric	4.5	3.3
S3834.AC1234	3.4	2.0	270°	Left	Asymmetric	4.5	3.3
S3834.AC1314	0.8	1.4	270°	Left	Asymmetric	4.5	3.3
S3834.AC1318	1.1	1.8	270°	Left	Asymmetric	4.5	3.3
S3834.AC1323	1.4	2.3	270°	Left	Asymmetric	4.5	3.3



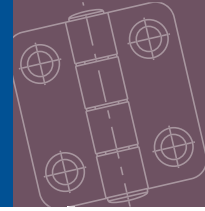
Order No.	Torque CW Nm	Torque CCW Nm	Shaft rotation	Hand	Torque type	d ₁	d ₂
S3834.AC1327	1.6	2.7	270°	Left	Asymmetric	4.5	3.3
S3834.AC1334	2.0	3.4	270°	Left	Asymmetric	4.5	3.3

Order No.	h ₁	h ₂	h ₃	l ₁	l ₂	l ₃	l ₄	l ₅	w ₁	w ₂	w ₃	w ₄
S3834.AC0000	20	12.5	14	57.15	43.76	38	17.8	6.35	10	5	3.18	3
S3834.AC0009	20	12.5	14	57.15	43.76	38	17.8	6.35	10	5	3.18	3
S3834.AC0014	20	12.5	14	57.15	43.76	38	17.8	6.35	10	5	3.18	3
S3834.AC0018	20	12.5	14	57.15	43.76	38	17.8	6.35	10	5	3.18	3
S3834.AC0023	20	12.5	14	57.15	43.76	38	17.8	6.35	10	5	3.18	3
S3834.AC0027	20	12.5	14	57.15	43.76	38	17.8	6.35	10	5	3.18	3
S3834.AC0214	20	12.5	14	57.15	43.76	38	17.8	6.35	10	5	3.18	3
S3834.AC0218	20	12.5	14	57.15	43.76	38	17.8	6.35	10	5	3.18	3
S3834.AC0223	20	12.5	14	57.15	43.76	38	17.8	6.35	10	5	3.18	3
S3834.AC0227	20	12.5	14	57.15	43.76	38	17.8	6.35	10	5	3.18	3
S3834.AC0234	20	12.5	14	57.15	43.76	38	17.8	6.35	10	5	3.18	3
S3834.AC0314	20	12.5	14	57.15	43.76	38	17.8	6.35	10	5	3.18	3
S3834.AC0318	20	12.5	14	57.15	43.76	38	17.8	6.35	10	5	3.18	3
S3834.AC0323	20	12.5	14	57.15	43.76	38	17.8	6.35	10	5	3.18	3
S3834.AC0327	20	12.5	14	57.15	43.76	38	17.8	6.35	10	5	3.18	3
S3834.AC0334	20	12.5	14	57.15	43.76	38	17.8	6.35	10	5	3.18	3
S3834.AC1000	20	12.5	14	57.15	43.76	38	17.8	6.35	10	5	3.18	3
S3834.AC1009	20	12.5	14	57.15	43.76	38	17.8	6.35	10	5	3.18	3
S3834.AC1014	20	12.5	14	57.15	43.76	38	17.8	6.35	10	5	3.18	3
S3834.AC1018	20	12.5	14	57.15	43.76	38	17.8	6.35	10	5	3.18	3
S3834.AC1023	20	12.5	14	57.15	43.76	38	17.8	6.35	10	5	3.18	3
S3834.AC1027	20	12.5	14	57.15	43.76	38	17.8	6.35	10	5	3.18	3
S3834.AC1214	20	12.5	14	57.15	43.76	38	17.8	6.35	10	5	3.18	3
S3834.AC1218	20	12.5	14	57.15	43.76	38	17.8	6.35	10	5	3.18	3
S3834.AC1223	20	12.5	14	57.15	43.76	38	17.8	6.35	10	5	3.18	3
S3834.AC1227	20	12.5	14	57.15	43.76	38	17.8	6.35	10	5	3.18	3
S3834.AC1234	20	12.5	14	57.15	43.76	38	17.8	6.35	10	5	3.18	3
S3834.AC1314	20	12.5	14	57.15	43.76	38	17.8	6.35	10	5	3.18	3
S3834.AC1318	20	12.5	14	57.15	43.76	38	17.8	6.35	10	5	3.18	3
S3834.AC1323	20	12.5	14	57.15	43.76	38	17.8	6.35	10	5	3.18	3
S3834.AC1327	20	12.5	14	57.15	43.76	38	17.8	6.35	10	5	3.18	3
S3834.AC1334	20	12.5	14	57.15	43.76	38	17.8	6.35	10	5	3.18	3

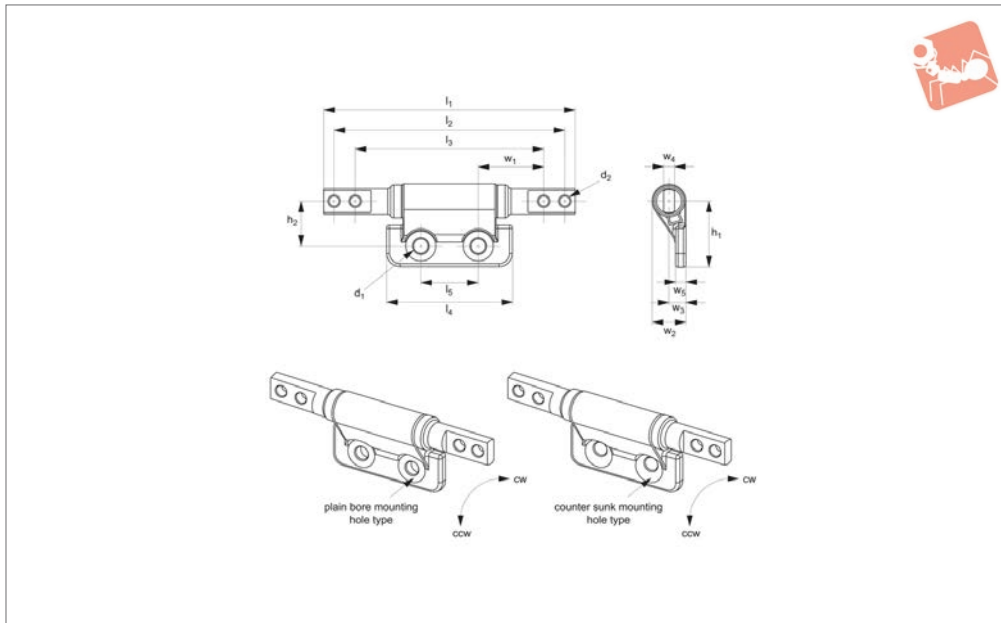


Friction Hinges

symmetric - asymmetric torque - 0,0-3,4 Nm. -



Hinges



S3840

HINGES

Material

Zinc alloy, steel, grease and o-ring with natural finish.

Technical Notes

Tested to 25,000 cycles with static torque value remaining within +/- 20%. Oil ring seals against environmental contamina-

tion.

Tips

Also available as black oxide finish, on request and subject to min. quantity.

Important Notes

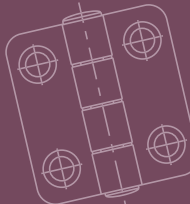
Symmetric hinges, offer same torque value

in both clockwise and counterclockwise directions. Asymmetric hinges, offer different torque value in clockwise and counterclockwise directions - see data table.

CW= clockwise.

CCW= counterclockwise.

Order No.	Torque CW Nm	Torque CCW Nm	Shaft rotation	Mounting hole	Counter sunk Torque Type
S3840.AC0000	0.0	0.0	270°	Plain	Symmetric
S3840.AC0009	0.9	0.9	270°	Plain	Symmetric
S3840.AC0014	1.4	1.4	270°	Plain	Symmetric
S3840.AC0018	1.8	1.8	270°	Plain	Symmetric
S3840.AC0023	2.3	2.3	270°	Plain	Symmetric
S3840.AC0027	2.7	2.7	270°	Plain	Symmetric
S3840.AC0214	1.4	0.8	270°	Plain	Asymmetric
S3840.AC0218	1.8	1.1	270°	Plain	Asymmetric
S3840.AC0223	2.3	1.4	270°	Plain	Asymmetric
S3840.AC0227	2.7	1.6	270°	Plain	Asymmetric
S3840.AC0234	3.4	2.0	270°	Plain	Asymmetric
S3840.AC0314	0.8	1.4	270°	Plain	Asymmetric
S3840.AC0318	1.1	1.8	270°	Plain	Asymmetric
S3840.AC0323	1.4	2.3	270°	Plain	Asymmetric
S3840.AC0327	1.6	2.7	270°	Plain	Asymmetric
S3840.AC0334	2.0	3.4	270°	C'sunk	Asymmetric
S3840.AC1000	0.0	0.0	270°	C'sunk	Symmetric
S3840.AC1009	0.9	0.9	270°	C'sunk	Symmetric
S3840.AC1014	1.4	1.4	270°	C'sunk	Symmetric
S3840.AC1018	1.8	1.8	270°	C'sunk	Symmetric
S3840.AC1023	2.3	2.3	270°	C'sunk	Symmetric
S3840.AC1027	2.7	2.7	270°	C'sunk	Symmetric
S3840.AC1214	1.4	0.8	270°	C'sunk	Symmetric
S3840.AC1218	1.8	1.1	270°	C'sunk	Symmetric
S3840.AC1223	2.3	1.4	270°	C'sunk	Symmetric
S3840.AC1227	2.7	1.6	270°	C'sunk	Symmetric
S3840.AC1234	3.4	2.0	270°	C'sunk	Asymmetric
S3840.AC1314	0.8	1.4	270°	C'sunk	Asymmetric
S3840.AC1318	1.1	1.8	270°	C'sunk	Asymmetric
S3840.AC1323	1.4	2.3	270°	C'sunk	Asymmetric



Friction Hinges

symmetric - asymmetric torque - 0,0-3,4 Nm. -



Order No.	Torque CW Nm	Torque CCW Nm	Shaft rotation	Mounting hole	Counter sunk Torque Type
S3840.AC1327	1.6	2.7	270°	C'sunk	Asymmetric
S3840.AC1334	2.0	3.4	270°	C'sunk	Asymmetric

HINGES

Order No.	d ₁	d ₂	h ₁	h ₂	l ₁	l ₂	l ₃	l ₄	l ₅	w ₁	w ₂	w ₃	w ₄	w ₅
S3840.AC0000	4.5	3.3	20	14	76.29	69.72	57.02	38	17.8	19.6	10	5	3	3
S3840.AC0009	4.5	3.3	20	14	76.29	69.72	57.02	38	17.8	19.6	10	5	3	3
S3840.AC0014	4.5	3.3	20	14	76.29	69.72	57.02	38	17.8	19.6	10	5	3	3
S3840.AC0018	4.5	3.3	20	14	76.29	69.72	57.02	38	17.8	19.6	10	5	3	3
S3840.AC0023	4.5	3.3	20	14	76.29	69.72	57.02	38	17.8	19.6	10	5	3	3
S3840.AC0027	4.5	3.3	20	14	76.29	69.72	57.02	38	17.8	19.6	10	5	3	3
S3840.AC0214	4.5	3.3	20	14	76.29	69.72	57.02	38	17.8	19.6	10	5	3	3
S3840.AC0218	4.5	3.3	20	14	76.29	69.72	57.02	38	17.8	19.6	10	5	3	3
S3840.AC0223	4.5	3.3	20	14	76.29	69.72	57.02	38	17.8	19.6	10	5	3	3
S3840.AC0227	4.5	3.3	20	14	76.29	69.72	57.02	38	17.8	19.6	10	5	3	3
S3840.AC0234	4.5	3.3	20	14	76.29	69.72	57.02	38	17.8	19.6	10	5	3	3
S3840.AC0314	4.5	3.3	20	14	76.29	69.72	57.02	38	17.8	19.6	10	5	3	3
S3840.AC0318	4.5	3.3	20	14	76.29	69.72	57.02	38	17.8	19.6	10	5	3	3
S3840.AC0323	4.5	3.3	20	14	76.29	69.72	57.02	38	17.8	19.6	10	5	3	3
S3840.AC0327	4.5	3.3	20	14	76.29	69.72	57.02	38	17.8	19.6	10	5	3	3
S3840.AC0334	4.5	3.3	20	14	76.29	69.72	57.02	38	17.8	19.6	10	5	3	3
S3840.AC1000	4.5	3.3	20	14	76.29	69.72	57.02	38	17.8	19.6	10	5	3	3
S3840.AC1009	4.5	3.3	20	14	76.29	69.72	57.02	38	17.8	19.6	10	5	3	3
S3840.AC1014	4.5	3.3	20	14	76.29	69.72	57.02	38	17.8	19.6	10	5	3	3
S3840.AC1018	4.5	3.3	20	14	76.29	69.72	57.02	38	17.8	19.6	10	5	3	3
S3840.AC1023	4.5	3.3	20	14	76.29	69.72	57.02	38	17.8	19.6	10	5	3	3
S3840.AC1027	4.5	3.3	20	14	76.29	69.72	57.02	38	17.8	19.6	10	5	3	3
S3840.AC1214	4.5	3.3	20	14	76.29	69.72	57.02	38	17.8	19.6	10	5	3	3
S3840.AC1218	4.5	3.3	20	14	76.29	69.72	57.02	38	17.8	19.6	10	5	3	3
S3840.AC1223	4.5	3.3	20	14	76.29	69.72	57.02	38	17.8	19.6	10	5	3	3
S3840.AC1227	4.5	3.3	20	14	76.29	69.72	57.02	38	17.8	19.6	10	5	3	3
S3840.AC1234	4.5	3.3	20	14	76.29	69.72	57.02	38	17.8	19.6	10	5	3	3
S3840.AC1314	4.5	3.3	20	14	76.29	69.72	57.02	38	17.8	19.6	10	5	3	3
S3840.AC1318	4.5	3.3	20	14	76.29	69.72	57.02	38	17.8	19.6	10	5	3	3
S3840.AC1323	4.5	3.3	20	14	76.29	69.72	57.02	38	17.8	19.6	10	5	3	3
S3840.AC1327	4.5	3.3	20	14	76.29	69.72	57.02	38	17.8	19.6	10	5	3	3
S3840.AC1334	4.5	3.3	20	14	76.29	69.72	57.02	38	17.8	19.6	10	5	3	3

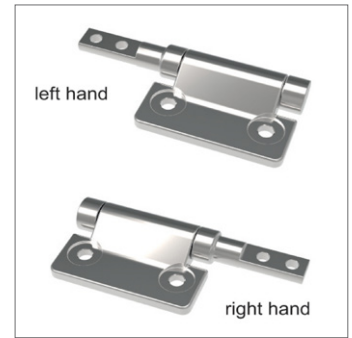
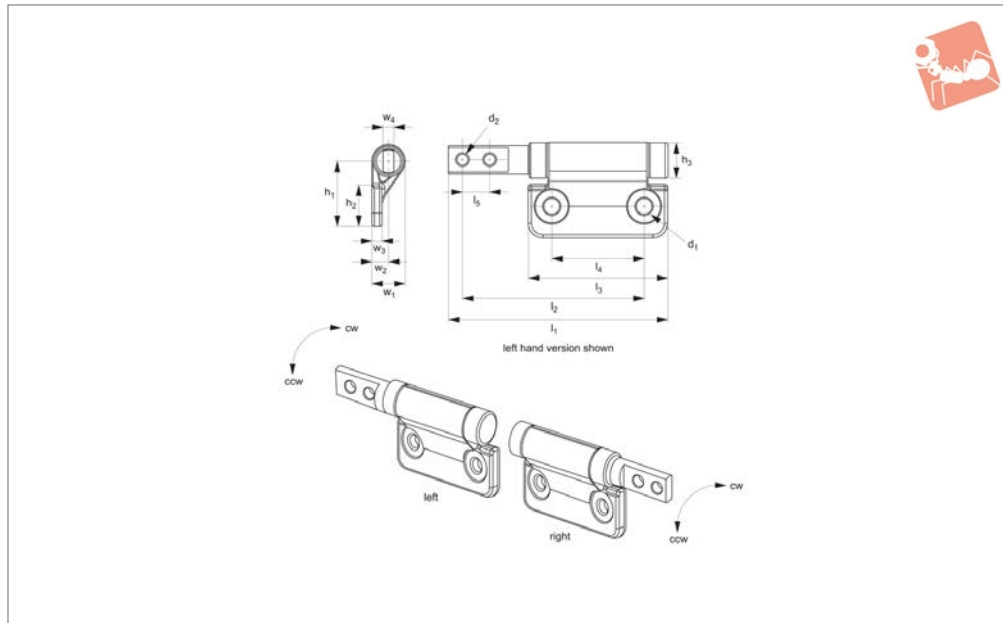


Friction Hinges

symmetric - asymmetric torque - 0,0-4,5 Nm. - plain



Hinges



S3844

HINGES

Material

Steel and zinc with natural finish.

Technical Notes

Tested to 25,000 cycles with static torque value remaining within +/- 20%. Oil ring seals against environmental contamination.

Tips

Also available as black oxide finish, on request and subject to min. quantity.

Important Notes

Symmetric hinges, offer same torque value in both clockwise and counterclockwise directions. Asymmetric hinges, offer diffe-

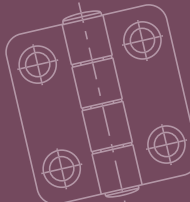
rent torque value in clockwise and counterclockwise directions - see data table.

CW= clockwise.

CCW= counterclockwise.

Order No.	Torque CW Nm	Torque CCW Nm	Shaft rotation	Hand	Torque type	d ₁	d ₂
S3844.AC0000	0.0	0.0	270°	Right	Symmetric	5.2	4.5
S3844.AC0009	0.9	0.9	270°	Right	Symmetric	5.2	4.5
S3844.AC0018	1.8	1.8	270°	Right	Symmetric	5.2	4.5
S3844.AC0023	2.3	2.3	270°	Right	Symmetric	5.2	4.5
S3844.AC0034	3.4	3.4	270°	Right	Symmetric	5.2	4.5
S3844.AC0223	2.3	1.4	270°	Right	Asymmetric	5.2	4.5
S3844.AC0234	3.4	2.0	270°	Right	Asymmetric	5.2	4.5
S3844.AC0245	4.5	2.7	270°	Right	Asymmetric	5.2	4.5
S3844.AC0323	1.4	2.3	270°	Right	Asymmetric	5.2	4.5
S3844.AC0334	2.0	3.4	270°	Right	Asymmetric	5.2	4.5
S3844.AC0345	2.7	4.5	270°	Right	Asymmetric	5.2	4.5
S3844.AC1000	0.0	0.0	270°	Left	Symmetric	5.2	4.5
S3844.AC1009	0.9	0.9	270°	Left	Symmetric	5.2	4.5
S3844.AC1018	1.8	1.8	270°	Left	Symmetric	5.2	4.5
S3844.AC1023	2.3	2.3	270°	Left	Symmetric	5.2	4.5
S3844.AC1034	3.4	3.4	270°	Left	Symmetric	5.2	4.5
S3844.AC1223	2.3	1.4	270°	Left	Asymmetric	5.2	4.5
S3844.AC1234	3.4	2.0	270°	Left	Asymmetric	5.2	4.5
S3844.AC1245	4.5	2.7	270°	Left	Asymmetric	5.2	4.5
S3844.AC1323	1.4	2.3	270°	Left	Asymmetric	5.2	4.5
S3844.AC1334	2.0	3.4	270°	Left	Asymmetric	5.2	4.5
S3844.AC1345	2.7	4.5	270°	Left	-	5.2	4.5

Order No.	h ₁	h ₂	h ₃	l ₁	l ₂	l ₃	l ₄	l ₅	w ₁	w ₂	w ₃	w ₄
S3844.AC0000	25.58	19.5	12.7	80.8	67.4	50.8	34	10	12.7	6.35	4.5	4
S3844.AC0009	25.58	19.5	12.7	80.8	67.4	50.8	34	10	12.7	6.35	4.5	4
S3844.AC0018	25.58	19.5	12.7	80.8	67.4	50.8	34	10	12.7	6.35	4.5	4
S3844.AC0023	25.58	19.5	12.7	80.8	67.4	50.8	34	10	12.7	6.35	4.5	4
S3844.AC0034	25.58	19.5	12.7	80.8	67.4	50.8	34	10	12.7	6.35	4.5	4
S3844.AC0223	25.58	19.5	12.7	80.8	67.4	50.8	34	10	12.7	6.35	4.5	4



Friction Hinges

symmetric - asymmetric torque - 0,0-4,5 Nm. - plain



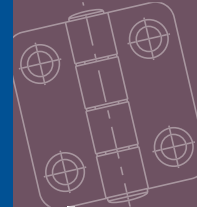
HINGES

Order No.	h ₁	h ₂	h ₃	l ₁	l ₂	l ₃	l ₄	l ₅	w ₁	w ₂	w ₃	w ₄
S3844.AC0234	25.58	19.5	12.7	80.8	67.4	50.8	34	10	12.7	6.35	4.5	4
S3844.AC0245	25.58	19.5	12.7	80.8	67.4	50.8	34	10	12.7	6.35	4.5	4
S3844.AC0323	25.58	19.5	12.7	80.8	67.4	50.8	34	10	12.7	6.35	4.5	4
S3844.AC0334	25.58	19.5	12.7	80.8	67.4	50.8	34	10	12.7	6.35	4.5	4
S3844.AC0345	25.58	19.5	12.7	80.8	67.4	50.8	34	10	12.7	6.35	4.5	4
S3844.AC1000	25.58	19.5	12.7	80.8	67.4	50.8	34	10	12.7	6.35	4.5	4
S3844.AC1009	25.58	19.5	12.7	80.8	67.4	50.8	34	10	12.7	6.35	4.5	4
S3844.AC1018	25.58	19.5	12.7	80.8	67.4	50.8	34	10	12.7	6.35	4.5	4
S3844.AC1023	25.58	19.5	12.7	80.8	67.4	50.8	34	10	12.7	6.35	4.5	4
S3844.AC1034	25.58	19.5	12.7	80.8	67.4	50.8	34	10	12.7	6.35	4.5	4
S3844.AC1223	25.58	19.5	12.7	80.8	67.4	50.8	34	10	12.7	6.35	4.5	4
S3844.AC1234	25.58	19.5	12.7	80.8	67.4	50.8	34	10	12.7	6.35	4.5	4
S3844.AC1245	25.58	19.5	12.7	80.8	67.4	50.8	34	10	12.7	6.35	4.5	4
S3844.AC1323	25.58	19.5	12.7	80.8	67.4	50.8	34	10	12.7	6.35	4.5	4
S3844.AC1334	25.58	19.5	12.7	80.8	67.4	50.8	34	10	12.7	6.35	4.5	4
S3844.AC1345	25.58	19.5	12.7	80.8	67.4	50.8	34	10	12.7	6.35	4.5	4

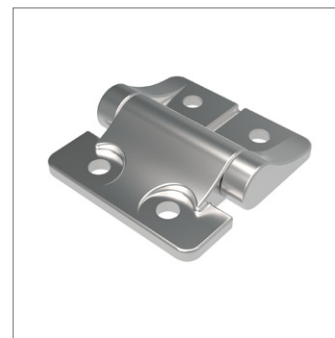
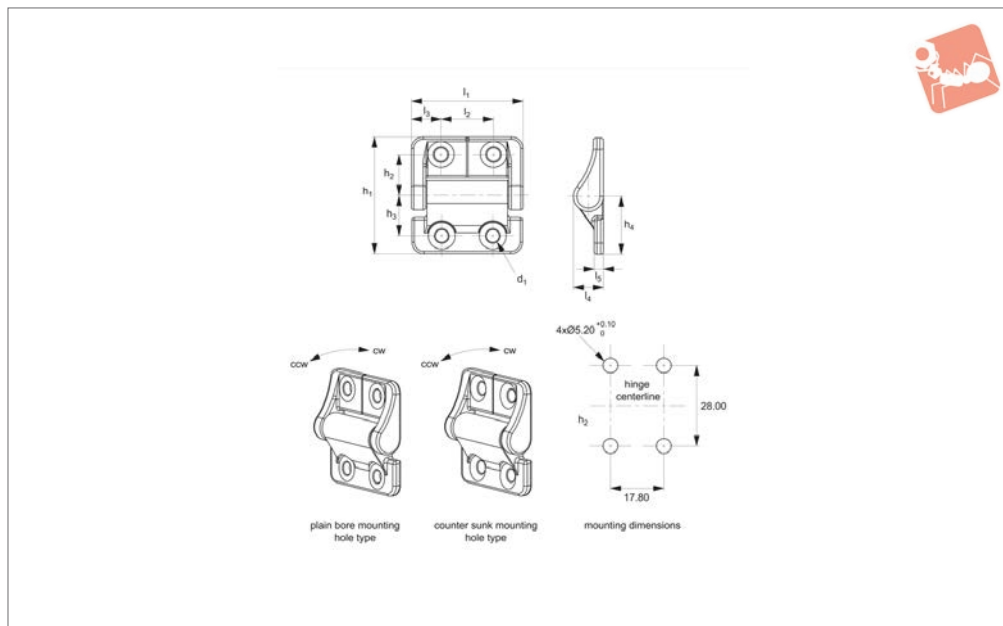


Friction Hinges - Natural - Symmetric

asymmetric torque - countersunk & plain bore



Hinges



S3850

HINGES

Material

Zinc alloy, steel, grease and o-ring with natural finish.

Technical Notes

Tested to 25,000 cycles with static torque value remaining within +/- 20%. Oil ring seals against environmental contamination.

Tips

For mounting and installation information refer to technical diagram.

Also available as black paint finish, see part S5852.

Important Notes

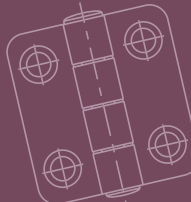
Symmetric hinges, offer same torque value in both clockwise and counterclockwise

directions. Asymmetric hinges, offer different torque value in clockwise and counterclockwise directions - see data table.

CW= clockwise.

CCW= counterclockwise.

Order No.	Torque CW Nm	Torque CCW Nm	Shaft rotation	Mounting hole	Torque type	d ₁	h ₁
S3850.AC0000	0.0	0.0	270°	Plain	Symmetric	4.5	40
S3850.AC0009	0.9	0.9	270°	Plain	Symmetric	4.5	40
S3850.AC0014	1.4	1.4	270°	Plain	Symmetric	4.5	40
S3850.AC0018	1.8	1.8	270°	Plain	Symmetric	4.5	40
S3850.AC0023	2.3	2.3	270°	Plain	Symmetric	4.5	40
S3850.AC0027	2.7	2.7	270°	Plain	Symmetric	4.5	40
S3850.AC0214	1.4	0.8	270°	Plain	Asymmetric	4.5	40
S3850.AC0218	1.8	1.1	270°	Plain	Asymmetric	4.5	40
S3850.AC0223	2.3	1.4	270°	Plain	Asymmetric	4.5	40
S3850.AC0227	2.7	1.6	270°	Plain	Asymmetric	4.5	40
S3850.AC0234	3.4	2.0	270°	Plain	Asymmetric	4.5	40
S3850.AC0314	0.8	1.4	270°	Plain	Asymmetric	4.5	40
S3850.AC0318	1.1	1.8	270°	Plain	Asymmetric	4.5	40
S3850.AC0323	1.4	2.3	270°	Plain	Asymmetric	4.5	40
S3850.AC0327	1.6	2.7	270°	Plain	Asymmetric	4.5	40
S3850.AC0334	2.0	3.4	270°	Plain	Asymmetric	4.5	40
S3850.AC1000	0.0	0.0	270°	C'sunk	Symmetric	4.5	40
S3850.AC1009	0.9	0.9	270°	C'sunk	Symmetric	4.5	40
S3850.AC1014	1.4	1.4	270°	C'sunk	Symmetric	4.5	40
S3850.AC1018	1.8	1.8	270°	C'sunk	Symmetric	4.5	40
S3850.AC1023	2.3	2.3	270°	C'sunk	Symmetric	4.5	40
S3850.AC1027	2.7	2.7	270°	C'sunk	Symmetric	4.5	40
S3850.AC1214	1.4	0.8	270°	C'sunk	Asymmetric	4.5	40
S3850.AC1218	1.8	1.1	270°	C'sunk	Asymmetric	4.5	40
S3850.AC1223	2.3	1.4	270°	C'sunk	Asymmetric	4.5	40
S3850.AC1227	2.7	1.6	270°	C'sunk	Asymmetric	4.5	40
S3850.AC1234	3.4	2.0	270°	C'sunk	Asymmetric	4.5	40
S3850.AC1314	0.8	1.4	270°	C'sunk	Asymmetric	4.5	40
S3850.AC1318	1.1	1.8	270°	C'sunk	Asymmetric	4.5	40



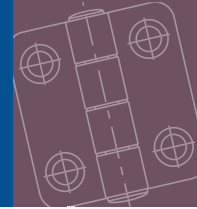
Order No.	Torque CW Nm	Torque CCW Nm	Shaft rotation	Mounting hole	Torque type	d ₁	h ₁
S3850.AC1323	1.4	2.3	270°	C'sunk	Asymmetric	4.5	40
S3850.AC1327	1.6	2.7	270°	C'sunk	Asymmetric	4.5	40
S3850.AC1334	2.0	3.4	270°	C'sunk	Asymmetric	4.5	40

Order No.	h ₂	h ₃	h ₄	l ₁	l ₂	l ₃	l ₄	l ₅
S3850.AC0000	14	14	20	38	17.8	10.1	10	3
S3850.AC0009	14	14	20	38	17.8	10.1	10	3
S3850.AC0014	14	14	20	38	17.8	10.1	10	3
S3850.AC0018	14	14	20	38	17.8	10.1	10	3
S3850.AC0023	14	14	20	38	17.8	10.1	10	3
S3850.AC0027	14	14	20	38	17.8	10.1	10	3
S3850.AC0214	14	14	20	38	17.8	10.1	10	3
S3850.AC0218	14	14	20	38	17.8	10.1	10	3
S3850.AC0223	14	14	20	38	17.8	10.1	10	3
S3850.AC0227	14	14	20	38	17.8	10.1	10	3
S3850.AC0234	14	14	20	38	17.8	10.1	10	3
S3850.AC0314	14	14	20	38	17.8	10.1	10	3
S3850.AC0318	14	14	20	38	17.8	10.1	10	3
S3850.AC0323	14	14	20	38	17.8	10.1	10	3
S3850.AC0327	14	14	20	38	17.8	10.1	10	3
S3850.AC0334	14	14	20	38	17.8	10.1	10	3
S3850.AC1000	14	14	20	38	17.8	10.1	10	3
S3850.AC1009	14	14	20	38	17.8	10.1	10	3
S3850.AC1014	14	14	20	38	17.8	10.1	10	3
S3850.AC1018	14	14	20	38	17.8	10.1	10	3
S3850.AC1023	14	14	20	38	17.8	10.1	10	3
S3850.AC1027	14	14	20	38	17.8	10.1	10	3
S3850.AC1214	14	14	20	38	17.8	10.1	10	3
S3850.AC1218	14	14	20	38	17.8	10.1	10	3
S3850.AC1223	14	14	20	38	17.8	10.1	10	3
S3850.AC1227	14	14	20	38	17.8	10.1	10	3
S3850.AC1234	14	14	20	38	17.8	10.1	10	3
S3850.AC1314	14	14	20	38	17.8	10.1	10	3
S3850.AC1318	14	14	20	38	17.8	10.1	10	3
S3850.AC1323	14	14	20	38	17.8	10.1	10	3
S3850.AC1327	14	14	20	38	17.8	10.1	10	3
S3850.AC1334	14	14	20	38	17.8	10.1	10	3

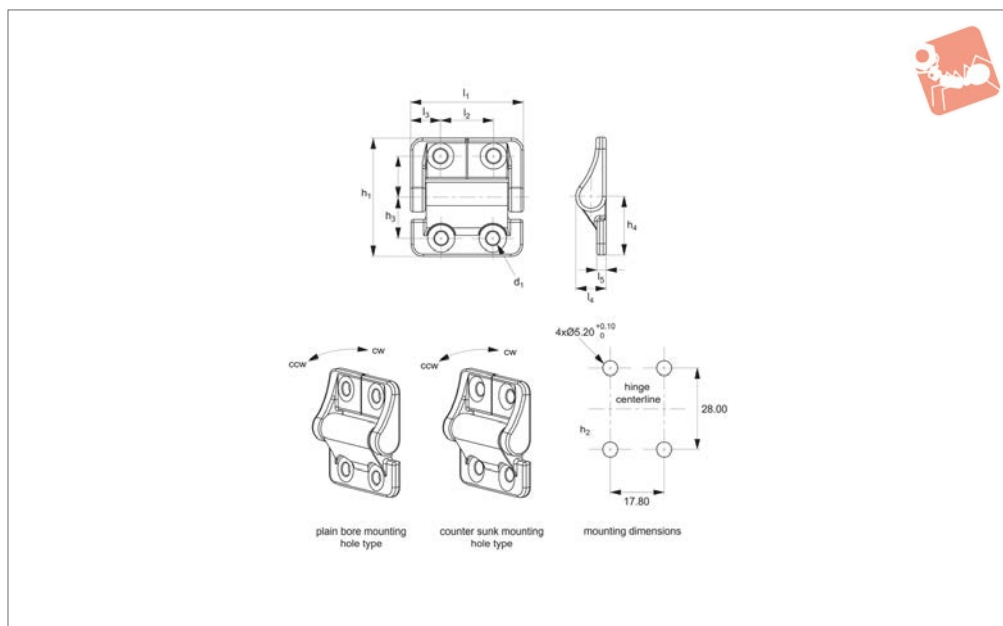


Friction Hinges - Black

symmetric - asymmetric torque - 0,0-3,5 Nm. -



Hinges



S3852

HINGES

Material

Zinc alloy, steel, grease and o-ring with black paint finish.

Technical Notes

Tested to 25,000 cycles with static torque value remaining within +/- 20%. Oil ring seals against environmental contamina-

tion.

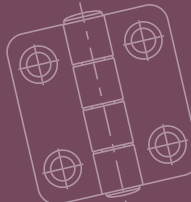
Tips

For mounting and installation information refer to technical diagram. Also available as natural finish see part S3850.

Important Notes

Symmetric hinges, offer same torque value in both clockwise and counterclockwise directions. Asymmetric hinges, offer different torque value in clockwise and counterclockwise directions - see data table. CW= clockwise.

Order No.	Torque CW Nm	Torque CCW Nm	Shaft rotation	Mounting hole	Torque type
S3852.AC0000	0.0	0.0	270°	Plain	Symmetric
S3852.AC0009	0.9	0.9	270°	Plain	Symmetric
S3852.AC0014	1.4	1.4	270°	Plain	Symmetric
S3852.AC0018	1.8	1.8	270°	Plain	Symmetric
S3852.AC0023	2.3	2.3	270°	Plain	Symmetric
S3852.AC0027	2.7	2.7	270°	Plain	Symmetric
S3852.AC0214	1.4	0.8	270°	Plain	Asymmetric
S3852.AC0218	1.8	1.1	270°	Plain	Asymmetric
S3852.AC0223	2.3	1.4	270°	Plain	Asymmetric
S3852.AC0227	2.7	1.6	270°	Plain	Asymmetric
S3852.AC0234	3.4	2.0	270°	Plain	Asymmetric
S3852.AC0314	0.8	1.4	270°	Plain	Asymmetric
S3852.AC0318	1.1	1.8	270°	Plain	Asymmetric
S3852.AC0323	1.4	2.3	270°	Plain	Asymmetric
S3852.AC0327	1.6	2.7	270°	Plain	Asymmetric
S3852.AC0334	2.0	3.4	270°	Plain	Asymmetric
S3852.AC1000	0.0	0.0	270°	C'sunk	Symmetric
S3852.AC1009	0.9	0.9	270°	C'sunk	Symmetric
S3852.AC1014	1.4	1.4	270°	C'sunk	Symmetric
S3852.AC1018	1.8	1.8	270°	C'sunk	Symmetric
S3852.AC1023	2.3	2.3	270°	C'sunk	Symmetric
S3852.AC1027	2.7	2.7	270°	C'sunk	Symmetric
S3852.AC1214	1.4	0.8	270°	C'sunk	Asymmetric
S3852.AC1218	1.8	1.1	270°	C'sunk	Asymmetric
S3852.AC1223	2.3	1.4	270°	C'sunk	Asymmetric
S3852.AC1227	2.7	1.6	270°	C'sunk	Asymmetric
S3852.AC1234	3.4	2.0	270°	C'sunk	Asymmetric
S3852.AC1314	0.8	1.4	270°	C'sunk	Asymmetric
S3852.AC1318	1.1	1.8	270°	C'sunk	Asymmetric
S3852.AC1323	1.4	2.3	270°	C'sunk	Asymmetric

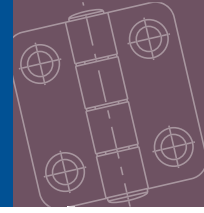


Order No.	Torque CW Nm	Torque CCW Nm	Shaft rotation				Mounting hole			Torque type	
S3852.AC1327	1.6	2.7	270°				C'sunk			Asymmetric	
S3852.AC1334	2.0	3.4	270°				C'sunk			Asymmetric	
Order No.	d ₁	h ₁	h ₂	h ₃	h ₄	l ₁	l ₂	l ₃	l ₄	l ₅	
S3852.AC0000	4.5	40	14	14	20	38	17.8	10.1	10	3	
S3852.AC0009	4.5	40	14	14	20	38	17.8	10.1	10	3	
S3852.AC0014	4.5	40	14	14	20	38	17.8	10.1	10	3	
S3852.AC0018	4.5	40	14	14	20	38	17.8	10.1	10	3	
S3852.AC0023	4.5	40	14	14	20	38	17.8	10.1	10	3	
S3852.AC0027	4.5	40	14	14	20	38	17.8	10.1	10	3	
S3852.AC0214	4.5	40	14	14	20	38	17.8	10.1	10	3	
S3852.AC0218	4.5	40	14	14	20	38	17.8	10.1	10	3	
S3852.AC0223	4.5	40	14	14	20	38	17.8	10.1	10	3	
S3852.AC0227	4.5	40	14	14	20	38	17.8	10.1	10	3	
S3852.AC0234	4.5	40	14	14	20	38	17.8	10.1	10	3	
S3852.AC0314	4.5	40	14	14	20	38	17.8	10.1	10	3	
S3852.AC0318	4.5	40	14	14	20	38	17.8	10.1	10	3	
S3852.AC0323	4.5	40	14	14	20	38	17.8	10.1	10	3	
S3852.AC0327	4.5	40	14	14	20	38	17.8	10.1	10	3	
S3852.AC0334	4.5	40	14	14	20	38	17.8	10.1	10	3	
S3852.AC1000	4.5	40	14	14	20	38	17.8	10.1	10	3	
S3852.AC1009	4.5	40	14	14	20	38	17.8	10.1	10	3	
S3852.AC1014	4.5	40	14	14	20	38	17.8	10.1	10	3	
S3852.AC1018	4.5	40	14	14	20	38	17.8	10.1	10	3	
S3852.AC1023	4.5	40	14	14	20	38	17.8	10.1	10	3	
S3852.AC1027	4.5	40	14	14	20	38	17.8	10.1	10	3	
S3852.AC1214	4.5	40	14	14	20	38	17.8	10.1	10	3	
S3852.AC1218	4.5	40	14	14	20	38	17.8	10.1	10	3	
S3852.AC1223	4.5	40	14	14	20	38	17.8	10.1	10	3	
S3852.AC1227	4.5	40	14	14	20	38	17.8	10.1	10	3	
S3852.AC1234	4.5	40	14	14	20	38	17.8	10.1	10	3	
S3852.AC1314	4.5	40	14	14	20	38	17.8	10.1	10	3	
S3852.AC1318	4.5	40	14	14	20	38	17.8	10.1	10	3	
S3852.AC1323	4.5	40	14	14	20	38	17.8	10.1	10	3	
S3852.AC1327	4.5	40	14	14	20	38	17.8	10.1	10	3	
S3852.AC1334	4.5	40	14	14	20	38	17.8	10.1	10	3	

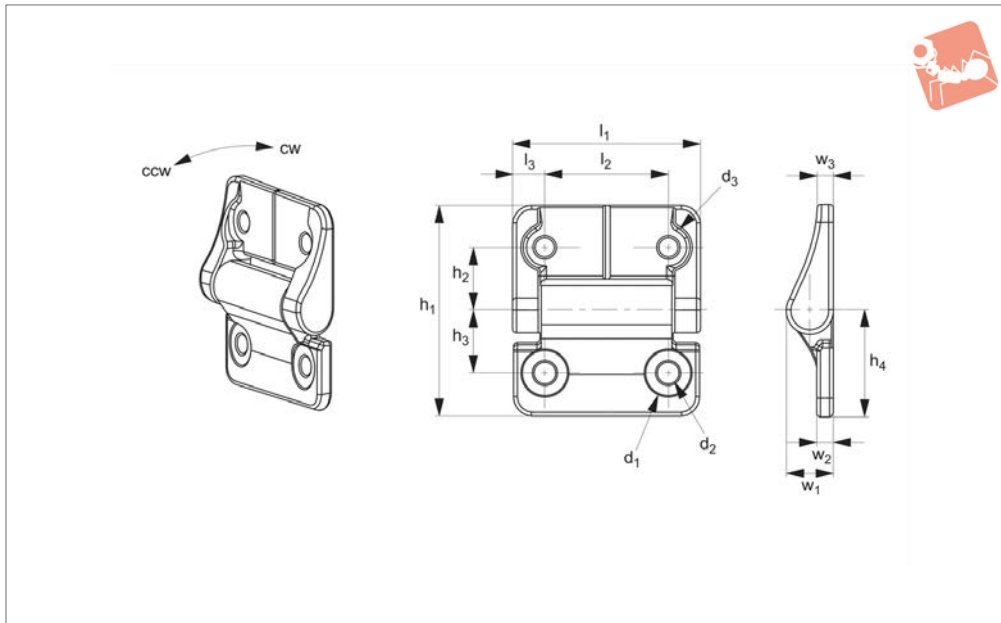


Friction Hinges - Natural & Black

symmetric - asymmetric torque



Hinges



S3854

HINGES

Material

Steel and zinc with natural or black oxide finish.

Technical Notes

Tested to 25,000 cycles with static torque value remaining within +/- 20%. Oil ring

seals against environmental contamination.

Important Notes

Symmetric hinges, offer same torque value in both clockwise and counterclockwise directions. Asymmetric hinges, offer diffe-

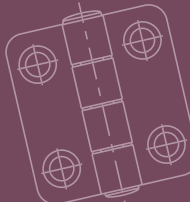
rent torque value in clockwise and counterclockwise directions - see data table.

CW= clockwise.

CCW= counterclockwise.

Order No.	Torque CW Nm	Torque CCW Nm	Shaft rotation	Finish	Torque type	d ₁	d ₂	d ₃
S3854.AC0000	0.0	0.0	270°	Natural	Symmetric	Ø12x0,7 dept.	5.2	10
S3854.AC0009	0.9	0.9	270°	Natural	Symmetric	Ø12x0,7 dept.	5.2	10
S3854.AC0018	1.8	1.8	270°	Natural	Symmetric	Ø12x0,7 dept.	5.2	10
S3854.AC0023	2.3	2.3	270°	Natural	Symmetric	Ø12x0,7 dept.	5.2	10
S3854.AC0034	3.4	3.4	270°	Natural	Symmetric	Ø12x0,7 dept.	5.2	10
S3854.AC0223	2.3	1.4	270°	Natural	Asymmetric	Ø12x0,7 dept.	5.2	10
S3854.AC0234	3.4	2.0	270°	Natural	Asymmetric	Ø12x0,7 dept.	5.2	10
S3854.AC0327	4.5	2.7	270°	Natural	Asymmetric	Ø12x0,7 dept.	5.2	10
S3854.AC0323	1.4	2.3	270°	Natural	Asymmetric	Ø12x0,7 dept.	5.2	10
S3854.AC0334	2.0	3.4	270°	Natural	Asymmetric	Ø12x0,7 dept.	5.2	10
S3854.AC0345	2.7	4.5	270°	Natural	Asymmetric	Ø12x0,7 dept.	5.2	10
S3854.AC1000	0.0	0.0	270°	Black paint	Symmetric	Ø12x0,7 dept.	5.2	10
S3854.AC1009	0.9	0.9	270°	Black paint	Symmetric	Ø12x0,7 dept.	5.2	10
S3854.AC1018	1.8	1.8	270°	Black paint	Symmetric	Ø12x0,7 dept.	5.2	10
S3854.AC1023	2.3	2.3	270°	Black paint	Symmetric	Ø12x0,7 dept.	5.2	10
S3854.AC1034	3.4	3.4	270°	Black paint	Symmetric	Ø12x0,7 dept.	5.2	10
S3854.AC1223	2.3	1.4	270°	Black paint	Asymmetric	Ø12x0,7 dept.	5.2	10
S3854.AC1234	3.4	2.0	270°	Black paint	Asymmetric	Ø12x0,7 dept.	5.2	10
S3854.AC1327	4.5	2.7	270°	Black paint	Asymmetric	Ø12x0,7 dept.	5.2	10
S3854.AC1323	1.4	2.3	270°	Black paint	Asymmetric	Ø12x0,7 dept.	5.2	10
S3854.AC1334	2.0	3.4	270°	Black paint	Asymmetric	Ø12x0,7 dept.	5.2	10
S3854.AC1345	2.7	4.5	270°	Black paint	Asymmetric	Ø12x0,7 dept.	5.2	10

Order No.	h ₁	h ₂	h ₃	h ₄	l ₁	l ₂	l ₃	w ₁	w ₂	w ₃
S3854.AC0000	57.15	17	17	28.58	50.8	34	8.4	12.8	4.5	3.81
S3854.AC0009	57.15	17	17	28.58	50.8	34	8.4	12.8	4.5	3.81
S3854.AC0018	57.15	17	17	28.58	50.8	34	8.4	12.8	4.5	3.81
S3854.AC0023	57.15	17	17	28.58	50.8	34	8.4	12.8	4.5	3.81
S3854.AC0034	57.15	17	17	28.58	50.8	34	8.4	12.8	4.5	3.81
S3854.AC0223	57.15	17	17	28.58	50.8	34	8.4	12.8	4.5	3.81
S3854.AC0234	57.15	17	17	28.58	50.8	34	8.4	12.8	4.5	3.81

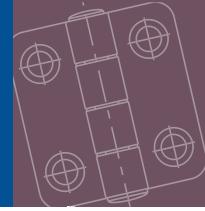


Order No.	h_1	h_2	h_3	h_4	l_1	l_2	l_3	w_1	w_2	w_3
S3854.AC0327	57.15	17	17	28.58	50.8	34	8.4	12.8	4.5	3.81
S3854.AC0323	57.15	17	17	28.58	50.8	34	8.4	12.8	4.5	3.81
S3854.AC0334	57.15	17	17	28.58	50.8	34	8.4	12.8	4.5	3.81
S3854.AC0345	57.15	17	17	28.58	50.8	34	8.4	12.8	4.5	3.81
S3854.AC1000	57.15	17	17	28.58	50.8	34	8.4	12.8	4.5	3.81
S3854.AC1009	57.15	17	17	28.58	50.8	34	8.4	12.8	4.5	3.81
S3854.AC1018	57.15	17	17	28.58	50.8	34	8.4	12.8	4.5	3.81
S3854.AC1023	57.15	17	17	28.58	50.8	34	8.4	12.8	4.5	3.81
S3854.AC1034	57.15	17	17	28.58	50.8	34	8.4	12.8	4.5	3.81
S3854.AC1223	57.15	17	17	28.58	50.8	34	8.4	12.8	4.5	3.81
S3854.AC1234	57.15	17	17	28.58	50.8	34	8.4	12.8	4.5	3.81
S3854.AC1327	57.15	17	17	28.58	50.8	34	8.4	12.8	4.5	3.81
S3854.AC1323	57.15	17	17	28.58	50.8	34	8.4	12.8	4.5	3.81
S3854.AC1334	57.15	17	17	28.58	50.8	34	8.4	12.8	4.5	3.81
S3854.AC1345	57.15	17	17	28.58	50.8	34	8.4	12.8	4.5	3.81

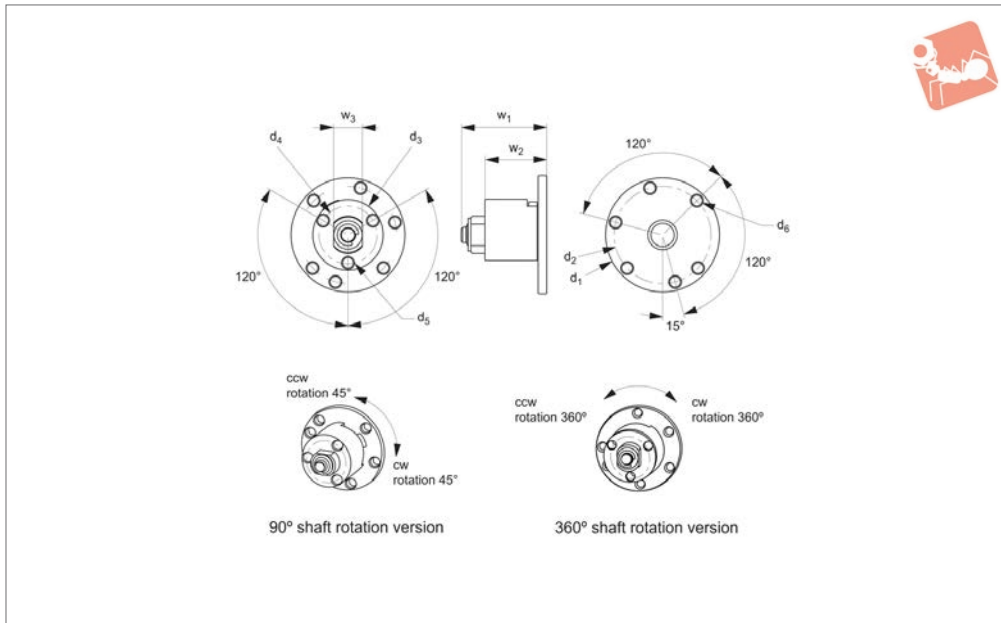


Friction Hinges

symmetric torque - 2,5-5,0 Nm.



Hinges



S3870

HINGES

Material

Steel with nickel plating finish.

value remaining within +/- 25%.

CW= clockwise.

CCW= counterclockwise.

Technical Notes

Tested to 10,000 cycles with static torque

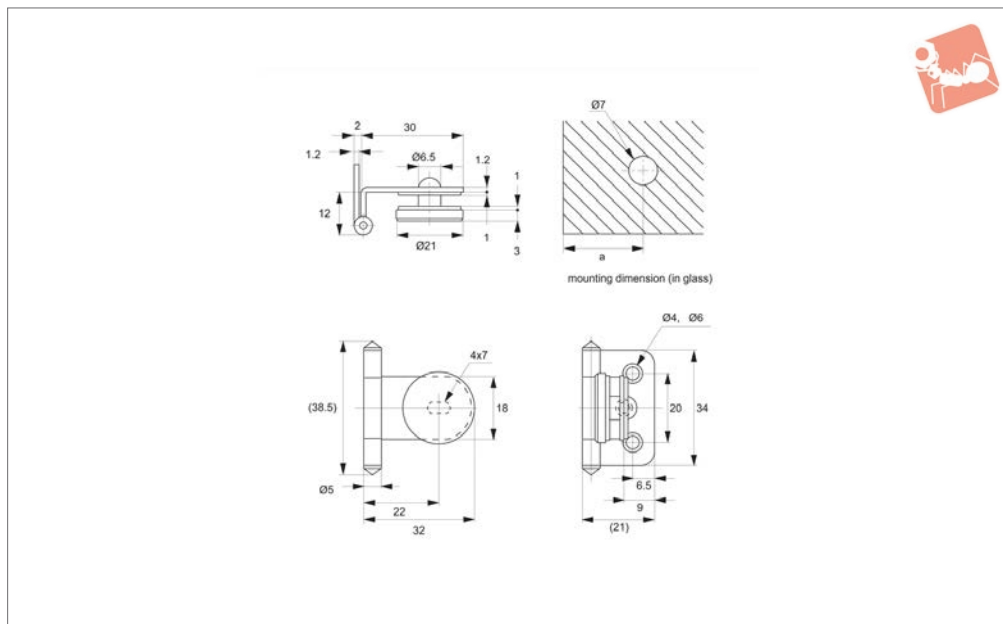
Important Notes

Symmetric, offer same torque value in both clockwise and counterclockwise directions.

Order No.	Torque Nm	Shaft rotation	Torque type	d ₁	d ₂	d ₃	d ₄	d ₅	d ₆	w ₁	w ₂	w ₃ thru
S3870.AC0025	2.5	90°	Symmetric	32.1	27	20	16	M 3x0,50	M 3x0,50	23.7	17	8
S3870.AC0030	3.0	90°	Symmetric	32.1	27	20	16	M 3x0,50	M 3x0,50	23.7	17	8
S3870.AC0040	4.0	90°	Symmetric	32.1	27	20	16	M 3x0,50	M 3x0,50	23.7	17	8
S3870.AC0050	5.0	90°	Symmetric	32.1	27	20	16	M 3x0,50	M 3x0,50	23.7	17	8
S3870.AC0125	2.5	360°	Symmetric	32.1	27	20	16	M 3x0,50	M 3x0,50	23.7	17	8
S3870.AC0130	3.0	360°	Symmetric	32.1	27	20	16	M 3x0,50	M 3x0,50	23.7	17	8
S3870.AC0140	4.0	360°	Symmetric	32.1	27	20	16	M 3x0,50	M 3x0,50	23.7	17	8
S3870.AC0150	5.0	360°	Symmetric	32.1	27	20	16	M 3x0,50	M 3x0,50	23.7	17	8



T2000



Material

Hinge: stainless steel, AISI 304, polished.
Cover: aluminium, alumite.

Technical Notes

For door thickness 4 to 6mm. For installation dimensions see table below.
a = distance of mounting holes from glass

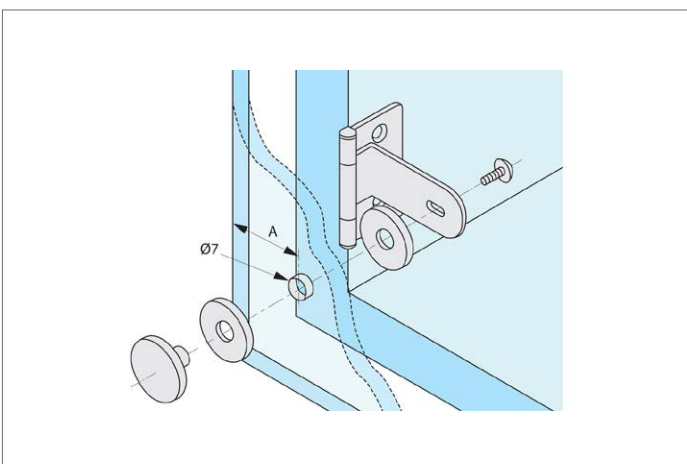
edge, to ensure smooth door opening.
Please note, you will need to drill holes in the glass in order to fit these hinges.

Tips
Screws are not included.

Important Notes

For glass thickness:
4mm; a = 19
5mm; a = 18
6mm; a = 17

Order No.	Glass thickness mm	Load capacity 2 hinges kg	Weight g
T2000.AC0010	4 to 6	4	15



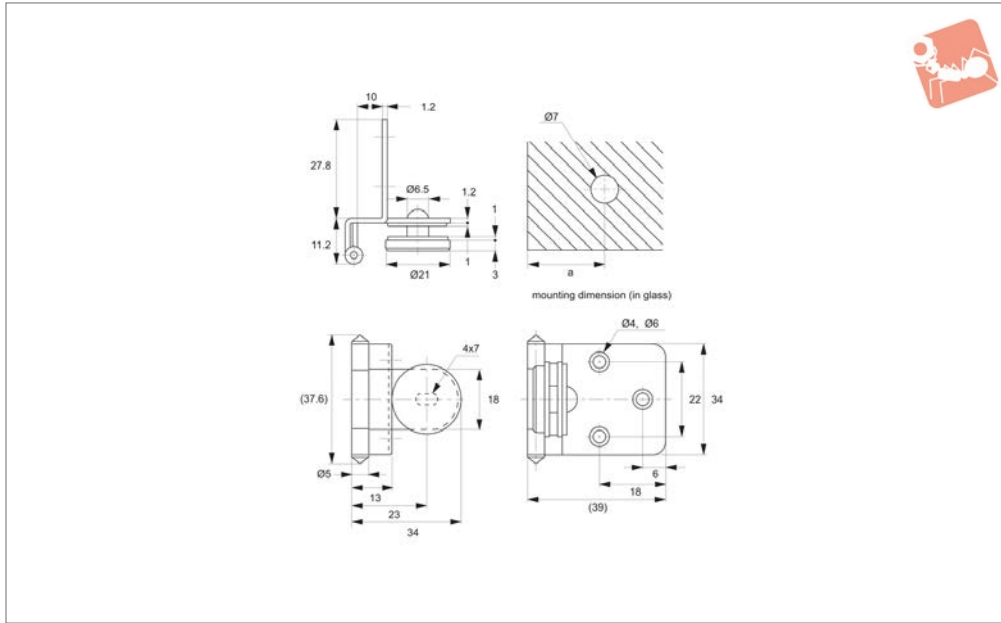


Glass Door Hinges - Half Overlay Type

stainless steel



Hinges



T200

HINGES

Material

Hinge: stainless steel, AISI 304, polished.
Cover: aluminium, alumite.

Technical Notes

For door thickness 4 to 6mm. For installation dimensions see table below.

a = distance of mounting holes from glass edge, to ensure smooth door opening. Please note, you will need to drill holes in the glass in order to fit these hinges.

Tips

Screws are not included.

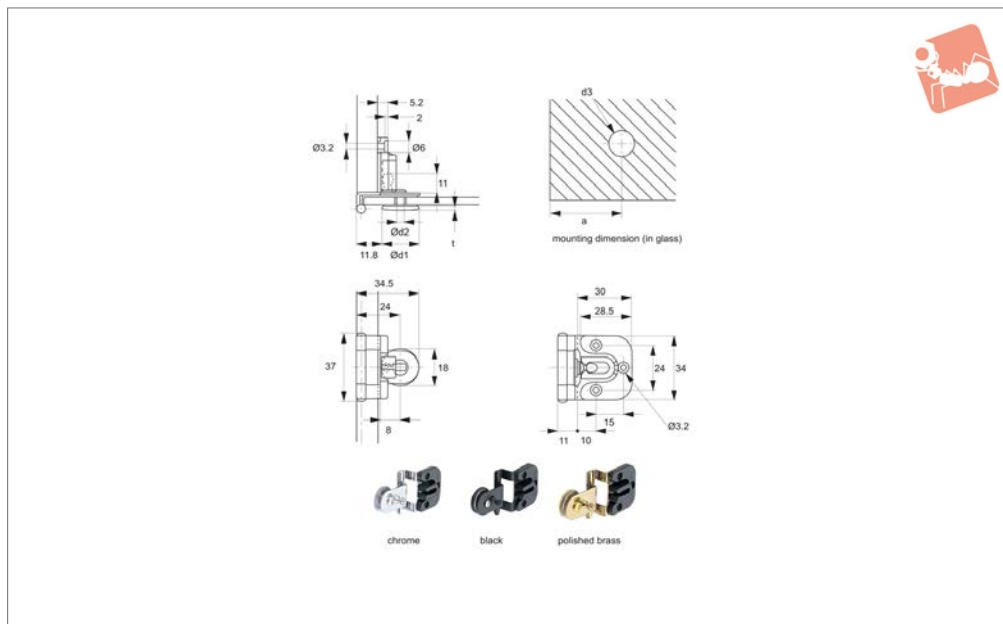
Important Notes

For glass thickness:
4mm; a = 19, overlay = 8
5mm; a = 18, overlay = 7
6mm; a = 17, overlay = 7

Order No.	Glass thickness mm	Load capacity 2 hinges kg	Weight g
T2020.AC0010	4 to 6	4	21



T2040



Material

Hinge: steel or stainless steel, AISI 304, with ABS plastic body. Refer to table for plating finish.

Technical Notes

For door thickness 4 to 6mm.
 Max. door size - 450w x 700h x 5mm thick.
 Max. door weight - 4Kg per hinge pair.

For installation dimensions see table below.

a = distance of mounting holes from glass edge, to ensure smooth door opening.
 Plastic body of hinge forms a mechanical catch to hold door in closed position.
 Please note, you will need to drill holes in the glass in order to fit these hinges.

Tips

Screws are not included.

Important Notes

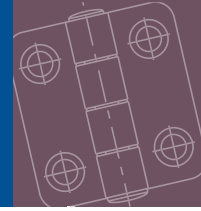
For glass thickness:
 4mm; a = 19, overlay = 8
 5mm; a = 18, overlay = 7
 6mm; a = 18, overlay = 6

Order No.	Glass thickness mm	Finish	Load capacity 2 hinges kg	Body type	d ₁	d ₂	d ₃	t	Screw	Weight g
T2040.AC0020	4 to 6	Chrome	4	Steel	20	6.5	7.0	2	M 3,5 x 6	36
T2040.AC0030	4 to 6	Brass	4	Steel	20	6.5	7.0	2	M 3,5 x 6	36
T2040.AC0040	4 to 6	Black	4	Stainless	21	8.0	8.5	3	M 3,0 x 6	32

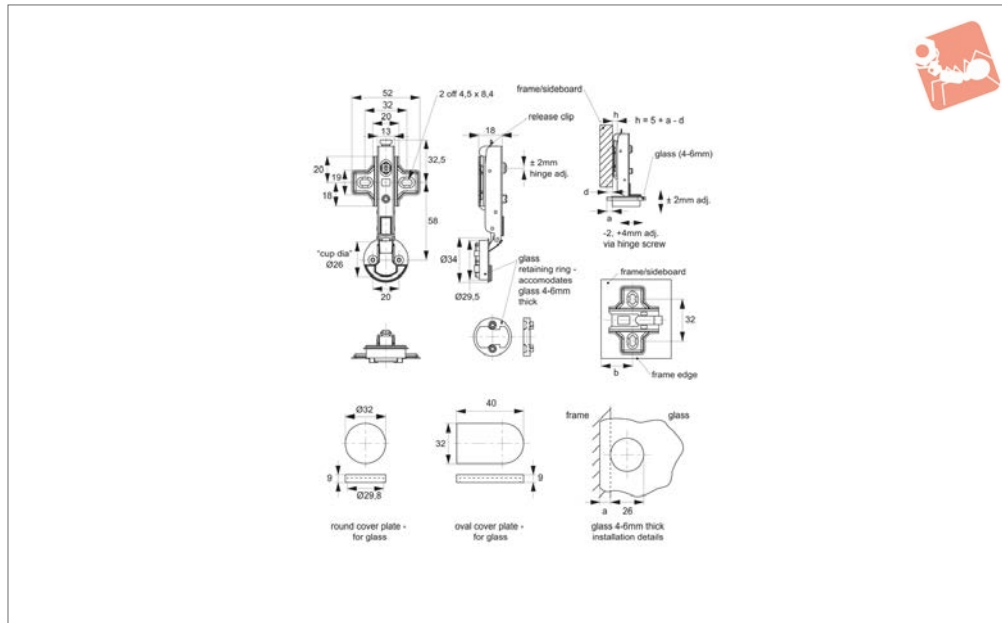


Glass Door Hinges - Size 26

inset type - half overlay type - 110° opening - soft



Hinges



T2104

HINGES

Material

Hinge arm: steel, zinc plated, with plastic glass retaining ring.

Hinge mounting plate: steel, zinc plated.

Cover plate for glass: ABS plastic, metal coated.

Cover plate for hinge arm and mounting plate: ABC plastic, chrome plated.

Supplied (per hinge): - 1 x hinge arm. 1 x mounting plate (self-tap screw fixing). 1 x

mounting plate (euro screw fixing). 1 x cover plate for glass (round). 1 x cover plate for glass (oval). 1 x cover plate for arm hinge and mounting plate. 2 x wood screw (4 x 16). 2 x euro screw (6.3 x 16).

Technical Notes

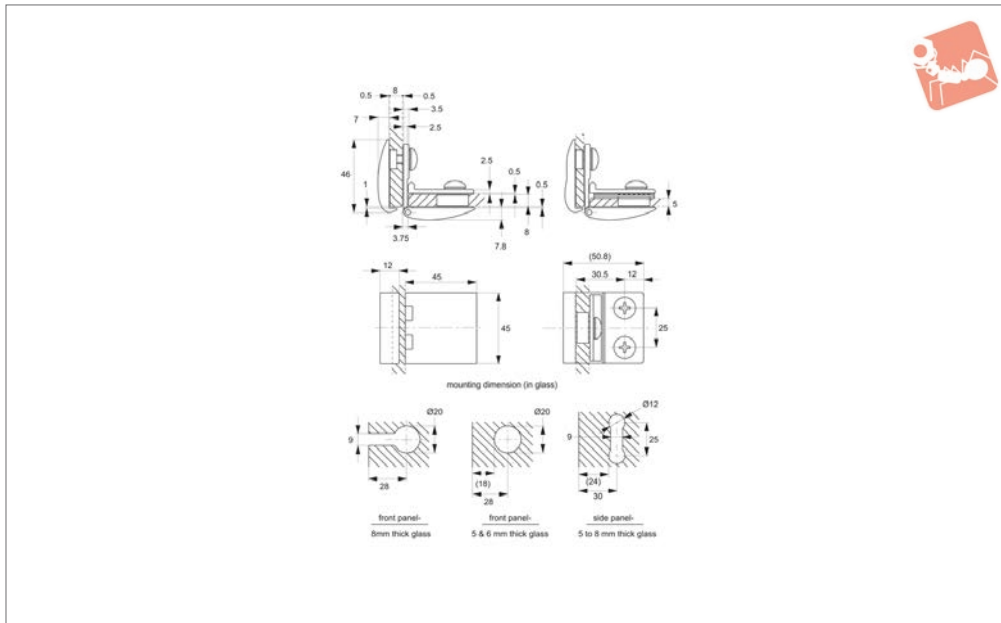
Supplied as single hinge. incorporated into the hinge is a hydraulic based „soft close“ device to assist in

controlled closing of door.

Installation notes:

Hinge-on-plate mounting system; plate easily fastened to wooden frame using self-tapping screw (supplied). Requires 26 mm dia. cut out glass for mounting of hinge to glass door - please see installation diagram for details. Hinge is „clip-on“, quick mount/dismount to the mounting plate.

Order No.	Glass thickness mm	Finish	Size
T2104.AW0010	4 to 6	Chrome	25
T2104.AW0020	4 to 6	Gold	25



T2200

HINGES

Material

Hinge body: brass, in nickel, chrome or gold finish.
 Glass adj. roller: polyamide, black.
 Bushes & spacers: rubber, black.

Technical Notes

For door thickness 5 to 8mm. Horizontally

adjustable by 2,5mm.

Max. door size-
 600w x 700h x 8mm thick
 Max. door weight-
 15Kg per hinge pair.

Please note, you will need to drill holes in the glass in order to fit these hinges.

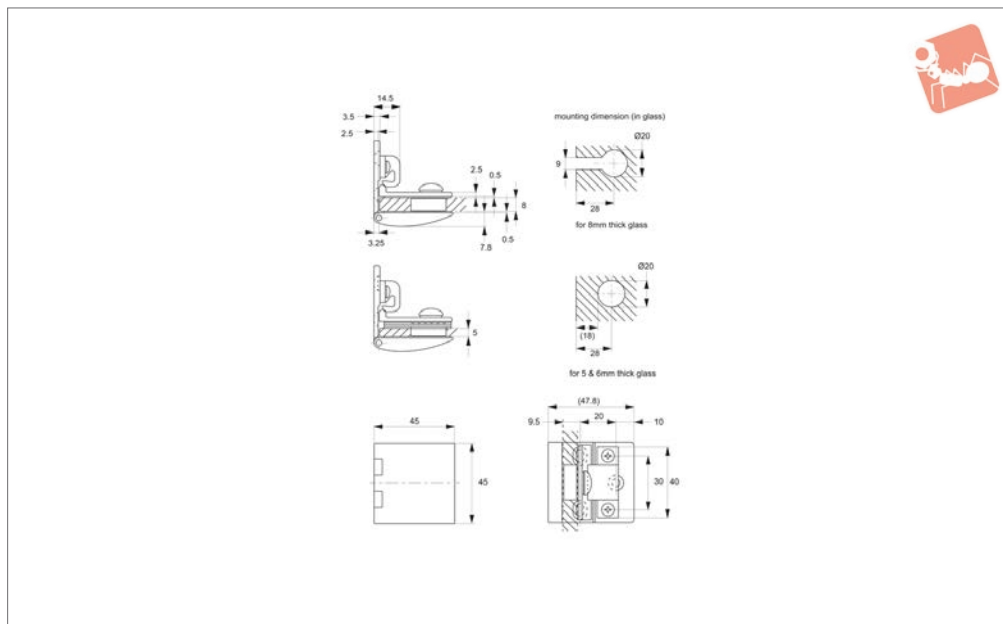
Important Notes

Spacers are supplied to accommodate different glass door thicknesses;
 5mm glass use 3 spacers
 6mm glass use 2 spacers
 8mm glass no spacers required.

Order No.	Glass thickness mm	Finish	Load capacity 2 hinges kg
T2200.AC0010	5 to 8	Satin Nickel	15
T2200.AC0020	5 to 8	Chrome	15
T2200.AC0030	5 to 8	Gold	15



T2220



Material

Hinge body: brass, in nickel, chrome or gold finish.

Glass adj. roller: polyamide, black.

Bushes & spacers: rubber, black.

Technical Notes

For door thickness 5 to 8mm. Horizontally adjustable by 2,5mm, vertical adjustment

2mm.

Max. door size-
600w x 700h x 8 mm thick

Max. door weight-
15Kg per hinge pair.

Plastic body of hinge forms a mechanical catch to hold panel/door in closed position.

Please note, you will need to drill holes in the glass in order to fit these hinges.

Important Notes

Spacers are supplied to accommodate different glass door thicknesses;
5mm glass use 3 spacers
6mm glass use 2 spacers
8mm glass no spacers required.

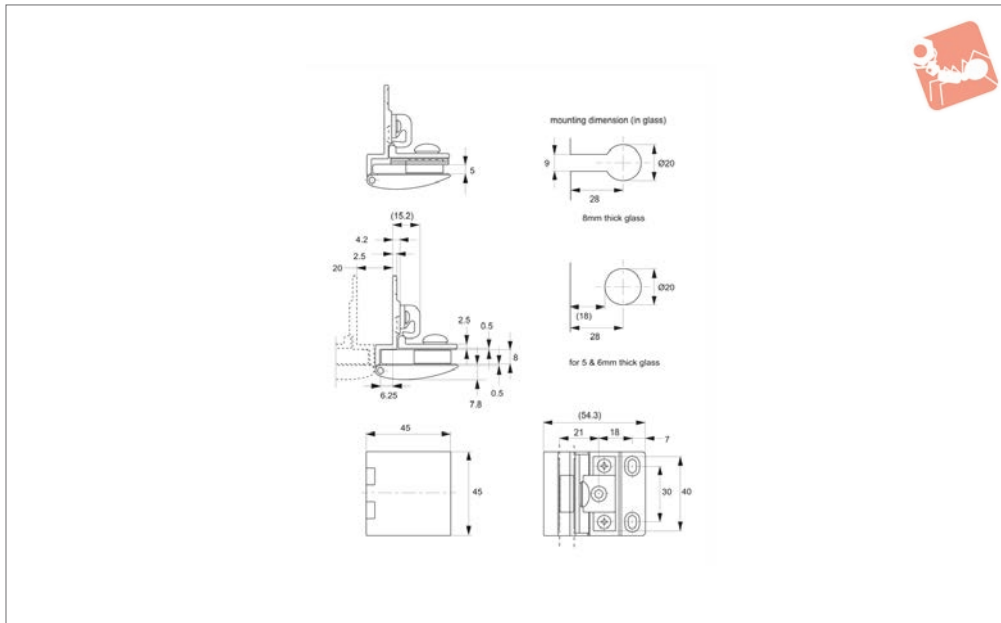
Order No.	Glass thickness mm	Finish	Load capacity 2 hinges kg
T2220.AC0010	5 to 8	Satin Nickel	15
T2220.AC0020	5 to 8	Chrome	15
T2220.AC0030	5 to 8	Gold	15



Glass Door Hinges - Overlay Type with catch



Hinges



T2240

HINGES

Material

Hinge body: brass, in nickel, chrome or gold finish.
Glass adj. roller: polyamide, black.
Bushes & spacers: rubber, black.

Technical Notes

6mm overlay. For door thickness 5 to 8mm.
Horizontally adjustable by 2,5mm, vertical

adjustment 2mm.

Max. door size - 600w x 700h x 8mm thick.
Max. door weight - 15Kg per hinge pair.
Plastic body of hinge forms a mechanical catch to hold panel/door in closed position.
Please note, you will need to drill holes in the glass in order to fit these hinges.

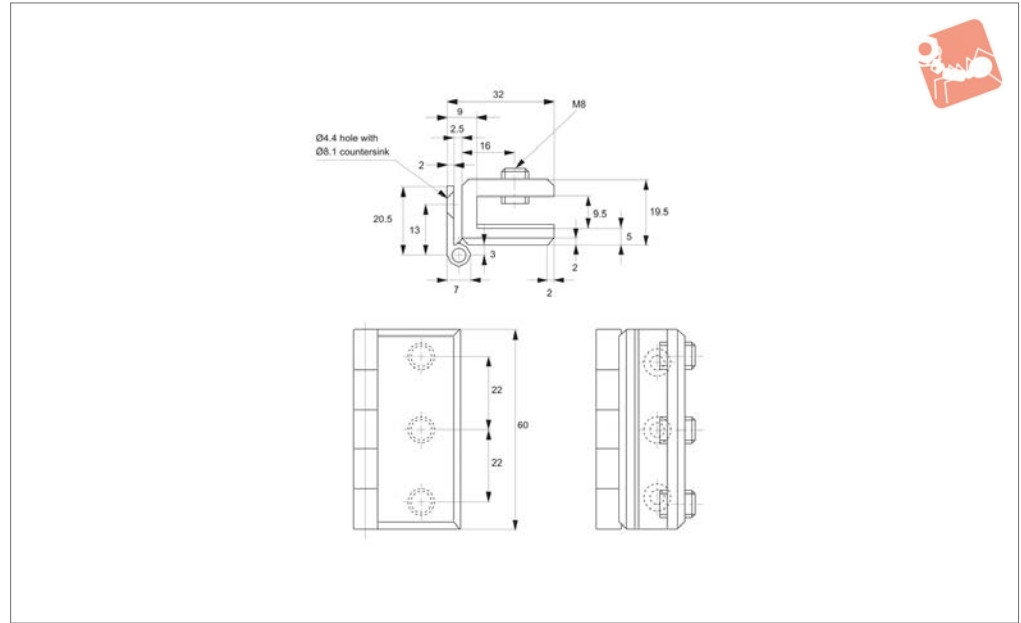
Important Notes

Spacers are supplied to accommodate different glass door thicknesses;
5mm glass use 3 spacers
6mm glass use 2 spacers
8mm glass no spacers required.

Order No.	Glass thickness mm	Finish	Load capacity 2 hinges kg
T2240.AC0010	5 to 8	Satin Nickel	15
T2240.AC0020	5 to 8	Chrome	15
T2240.AC0030	5 to 8	Gold	15



T2260



Material

Body: stainless steel, AISI 304, polished

Max. door size-

450w x 1300h x 8mm thick.

Three grub screws hold and clamp glass in place.

Technical Notes

For door thicknesses 4 to 8mm.

Important Notes

No holes required in glass for installation.

Order No.

T2260.AC0010

Glass thickness
mm

4 to 8

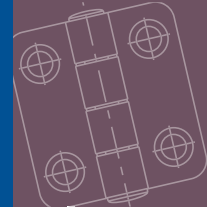
Finish

Stainless

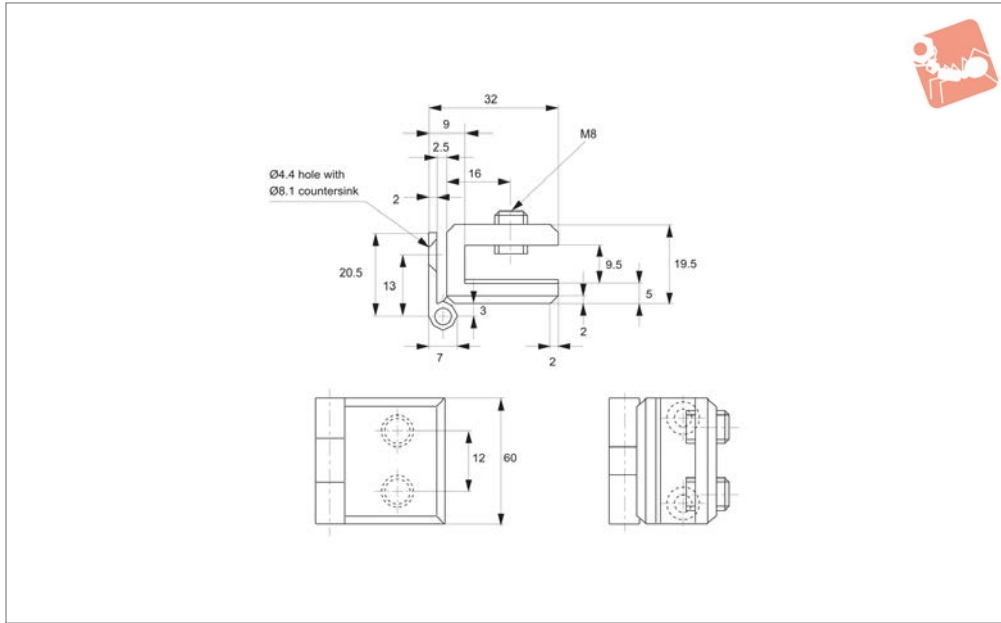


Glass Door Hinges - Set Screw Mount

stainless steel



Hinges



T2280

HINGES

Material

Body: stainless steel, AISI 304, polished

Max. door size - 400w x 600h x 8mm thick.

place.

Technical Notes

For door thicknesses 4 to 8mm.

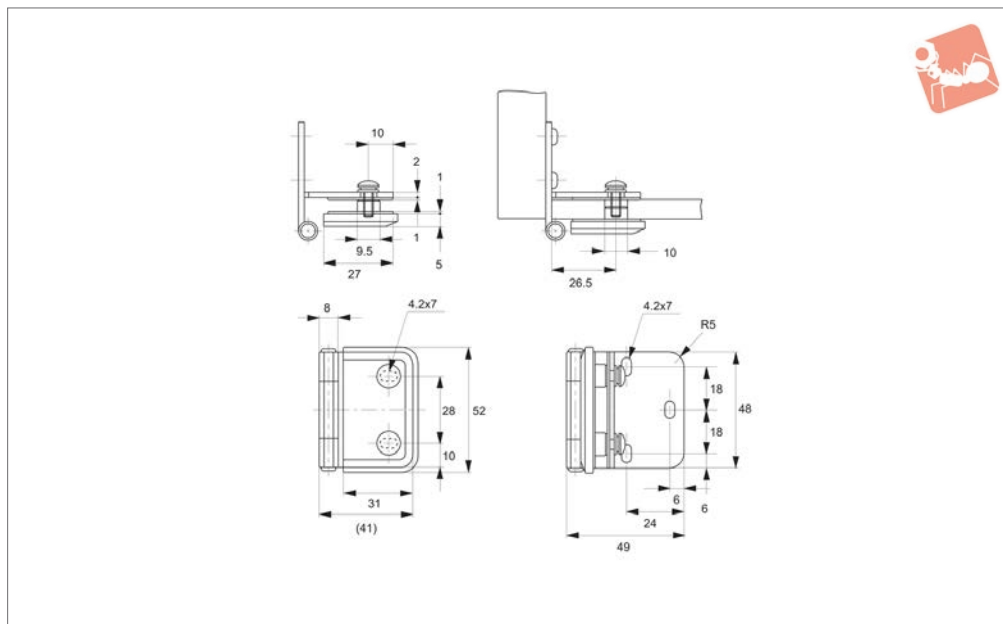
Important Notes

No holes required in glass for installation.
Three grub screws hold and clamp glass in

Order No.	Glass thickness mm	Finish
T2280.AC0010	4 to 8	Stainless



T2300



Material

Hinge body: stainless steel, AISI 304, polished.
Cover plate: zinc alloy, chrome plated.

Technical Notes

For door thicknesses 5 to 8mm.
Max. door size - 650w x 700h x 8mm thick.
Max. door weight - 12Kg per hinge pair.

Please note, you will need to drill holes in the glass in order to fit these hinges.

Order No.	Glass thickness mm	Finish	Load capacity kg
T2300.AC0010	5 to 8	Stainless	12

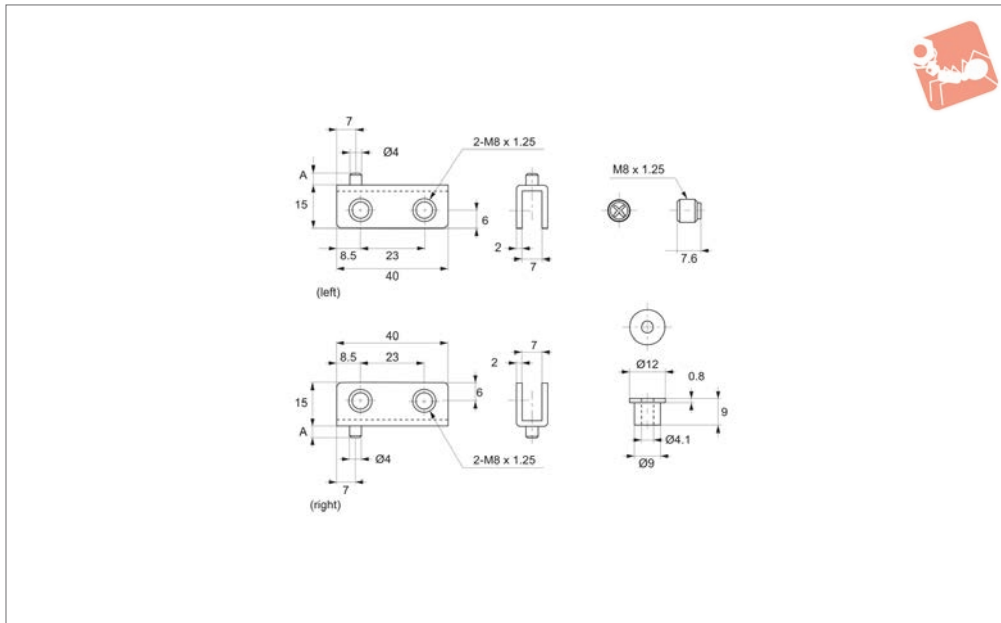


Glass Door Hinge - Inset Type

steel



Hinges



T2400

HINGES

Material

Hinge Body: Steel, black finish
 Support: Polypropylene (PP), black finish
 Screw: Steel, black finish
 Socket: Polyamide (PA), black finish

Technical Notes

Please use in pairs. Can not be used sepe-

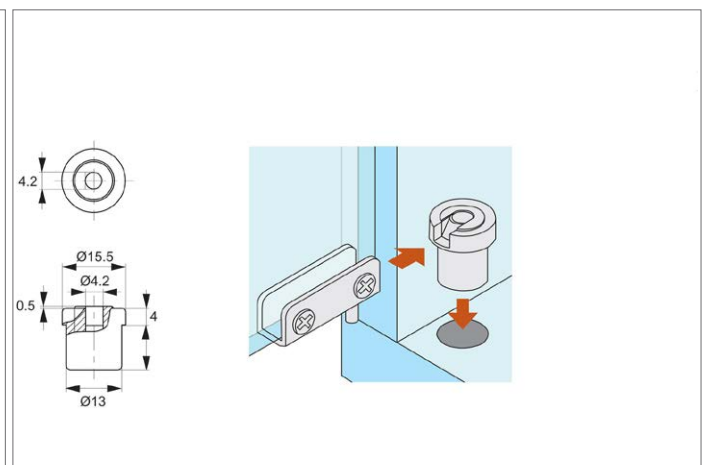
rately.

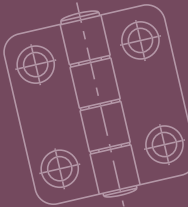
Left: For left-lower/right-upper
 Right: For right-lower/left-upper
 Door width: Max. 450
 Door Height: Max. 700
 Glass Thickness: 4,5
 Door Weight: Max. 4kg/pair

Tips

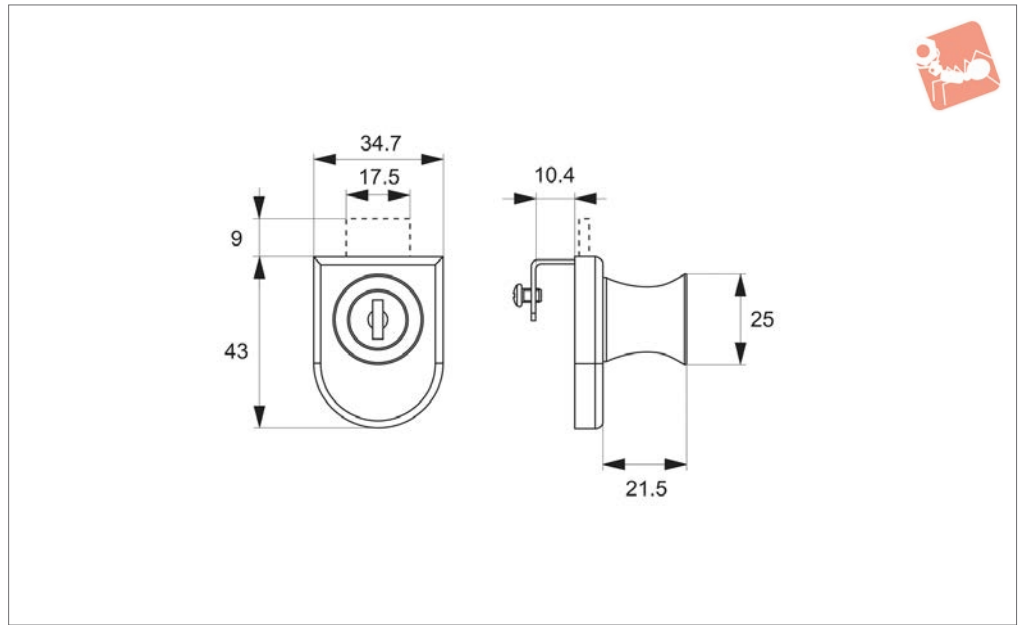
T2400.AW0010 and T2400.AW0020 should be used with the socket.

Order No.	Type	a	Weight g
T2400.AW0010	Right	4	25.0
T2400.AW0020	Left	4	25.0
T2400.AW0110	Right	9	25.5
T2400.AW0120	Left	9	25.5
T2400.AW0990	-	-	5





T4101



Material

Zinc alloy, Din EN1774 ZnAl4Cu1

glass cabinets and showcases.

Technical Notes

To suit glass from 4 - 8mm thick. For use in

Important Notes

Easy installation, lock is clamped to edge of glass via a grub screw.

Also supplied with catch plate.

Order No.	Glass thickness mm min.	Glass thickness mm max.	Key type
T4101.AW0010	4	8	Keyed alike



Glass Door Hinges Selection Chart



Glass Door Fittings

The Wixroyd range of glass door hinges are intended for the mounting of smaller doors and panels on cabinets and enclosures, typically their maximum load capacity is 4 Kg per hinge pair. Some of our larger hinges have a capacity of upto 12-15 Kg/pair.



Wixroyd product no.	Max. glass thickness (mm)	Max. load capacity per pair (Kg)	Max. door/panel size mm (subj. to max. load)	Requires mounting holes cut in glass
T2000	4 to 6	4	-	Yes
T2030	4 to 6	4	450 x 700	Yes
T2220	5 to 8	15	600 x 700	Yes
T2300	5 to 8	12	650 x 700	Yes
T2102	4 to 6	8	500 x 600	Yes

Inset type hinges

Inset hinges are mounted on the inside of the cabinet frame, and are used for hanging doors/panels flush to the frame of the cabinet. Requires mounting holes to be cut into the glass.



Wixroyd product no.	Max. glass thickness (mm)	Max. load capacity per pair (Kg)	Max. door/panel size mm (subj. to max. load)	Requires mounting holes cut in glass
T2240	5 to 8	15	600 x 700	Yes
T2106	4 to 6	8	500 x 600	Yes

Overlay hinges

Overlay hinges are mounted to the inside of the cabinet frame, with the complete hinge profile resting on the cabinet frame. The door/panel is hung proud of the cabinet frame. Requires mounting holes to be cut into the glass.



Wixroyd product no.	Max. glass thickness (mm)	Max. load capacity per pair (Kg)	Max. door/panel size mm (subj. to max. load)	Requires mounting holes cut in glass
T2020	4 to 6	4	-	Yes
T2040	4 to 6	4	450 x 700	Yes
T2104	4 to 6	8	500 x 600	Yes

Half overlay hinges

Half overlay hinges are mounted to the inside of the cabinet frame, with half of the hinge profile resting on the cabinet frame. The door/panel is hung proud of the cabinet frame. Requires mounting holes to be cut into the glass.



Wixroyd product no.	Max. glass thickness (mm)	Max. load capacity per pair (Kg)	Max. door/panel size mm (subj. to max. load)	Requires mounting holes cut in glass
T2200	5 to 8	15	600 x 700	Yes

Glass-to-glass hinges

To hinge glass-to-glass, Tony says use these particular hinges, they provide non-flush hanging of glass to glass. Requires mounting holes to be cut into the glass.



Wixroyd product no.	Max. glass thickness (mm)	Max. load capacity per pair (Kg)	Max. door/panel size mm (subj. to max. load)	Requires mounting holes cut in glass
T2260	4 to 8	-	450 x 1300	No
T2280	4 to 8	-	400 x 600	No

Set screw mount hinges

These simple to install glass hinges use set screws to clamp the glass, no cutting of the glass is required.