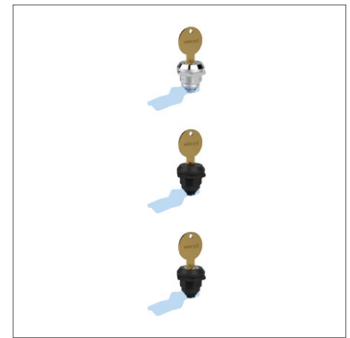
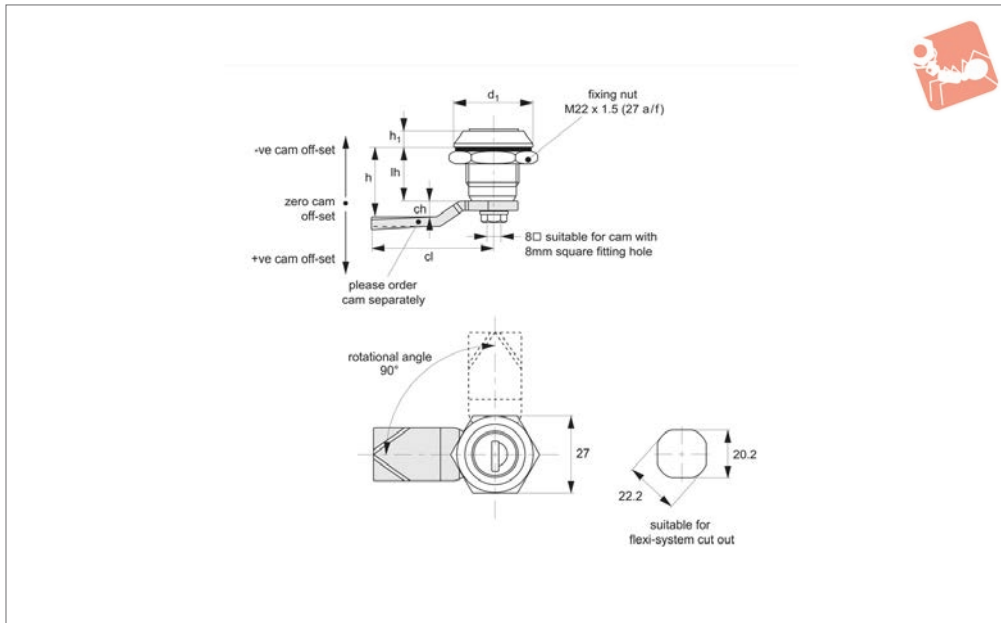




Cam Locks - Flexi-System

fixed grip - zinc



A2001

CAM LOCKS

Material

Type one & Two: Body: die cast zinc, finished in chrome plate or black powder coating.
 Cylinder lock: die cast zinc, chrome plated.
Type Three: Body: polyamide.
 Cylinder lock: die cast zinc, chrome plated.
Supplied with: Keys: two per lock.
Not supplied: CAM - order separately.

Technical Notes

Order cam separately.

Cams: see suitable cam A0203, A0224 and A0240. Select „without projection“ cam type.
 Dimensions ch and cl relate to cam. Use formula to calculate ch (required cam off-set), and refer to cam selection chart;
 $ch = h - lh$ where;
 ch = required cam off-set/height.
 h = grip length (distance between inside of latch face and front of cam).
 lh = body length of cam latch/lock to be

used (see product table below).

Rods & Guides: to achieve 3-point latching - A0303, A0321, A0325.

Tips

Quarter turn opening or closing.
 Universal left and right application.

Important Notes

Sold subject to pack quantity.

Order No.	Type	Body finish	Key type	d ₁	h ₁	lh
A2001.AW0010	One	Chrome Plated	Keyed Alike	28.0	6	20
A2001.AW0310	Two	Black Coated	Keyed Alike	28.0	6	18
A2001.AW0320	Two	Black Coated	Keyed to Differ	28.0	6	18
A2001.AW0330	Two	Black Coated	Euro	30.0	6	18
A2001.AW0510	Three	Plastic, Black	Keyed Alike	28.0	6	18
A2001.AW0520	Three	Plastic, Black	Keyed to Differ	28.0	6	18



All our cam latches use a standard cut out dimension of 22,2 Ø and 20,2 square which accommodates many industry standards. Flexi-System parts are fully interchangeable, providing a completely flexible hardware system including two or three point latching systems.

Flexi-system

CAM LOCKS



insert driver cam latches



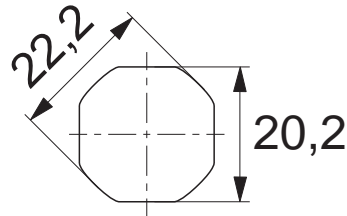
padlockable cam latches



wing handle cam latches



extended grip cam latches



flexi-system cut out



cam locks



t-handle locks



l-handle locks



compression latches

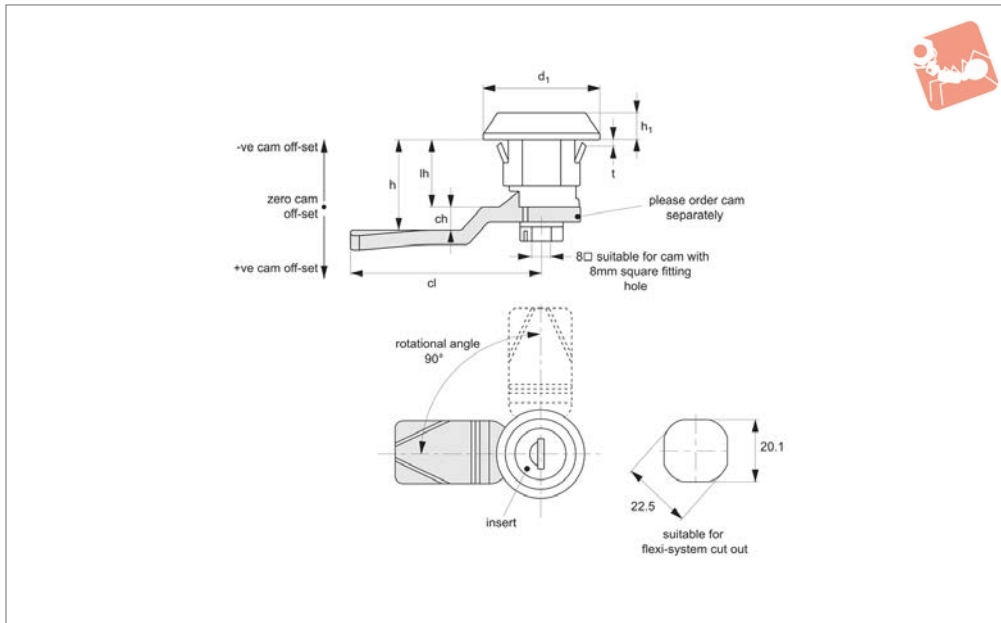


Cam Locks - Snap in - Flexi-System

cylinder lock, fixed grip, plastic



Cam Locks



A2003

CAM LOCKS

Material

Cylinder lock: die cast zinc, chrome plated.

Technical Notes

Order cam and key separately.

Cams: see suitable cam A0203, A0224 and A0240. Select „with projection“ cam type. Dimensions ch and cl relate to cam. Use formula to calculate ch (required cam off-

set), and refer to cam selection chart;

$ch = h - lh$ where;

ch = required cam off-set/height.

h = grip length (distance between inside of latch face and front of cam).

lh = body length of cam latch/lock to be used (see product table below).

Suitable for panel thickness 0,8-1,5mm

Keys: see A0102.

Tips

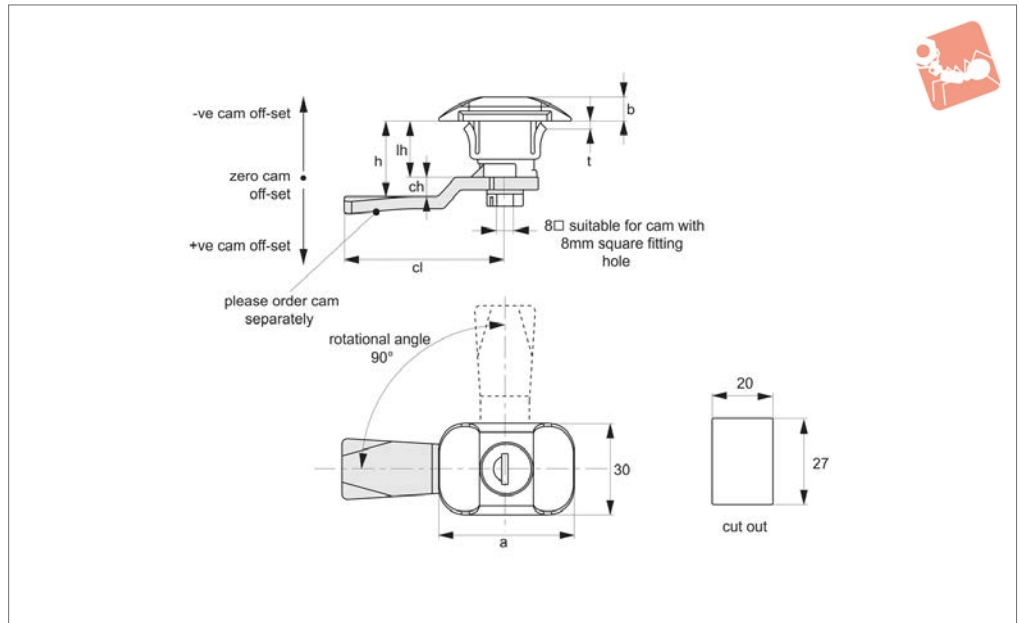
Easy snap on fix mounting. Make cut out in panel as shown, and simply push in handle, snap on clips will spring back to securely mount handle.

Order No.	Key	d ₁	h ₁	t	lh
A2003.AW0010	Keyed Alike	30.0	7.5	0,8-1,5	18
A2003.AW0030	Euro Key	30.0	7.5	0,8-1,5	18





A2005



Material

Cylinder lock: die cast zinc, chrome plated.

Technical Notes

Order cam and key separately.

Cams: see suitable cam A0203, A0224 and A0240. Select „with projection“ cam type. Dimensions ch and cl relate to cam. Use formula to calculate ch (required cam off-

set), and refer to cam selection chart;

$ch = h - lh$ where;

ch = required cam off-set/height.

h = grip length (distance between inside of latch face and front of cam).

lh = body length of cam latch/lock to be used (see product table below).

Suitable for panel thickness 0,8-2mm

Keys: see A0102.

Tips

Easy snap on fix mounting. Make cut out in panel as shown, and simply push in handle, snap on clips will spring back to securely mount handle.

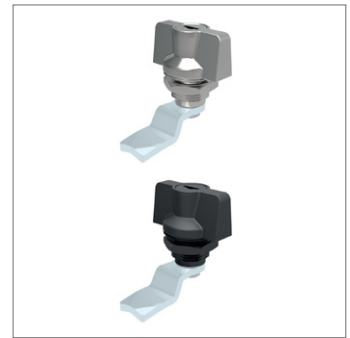
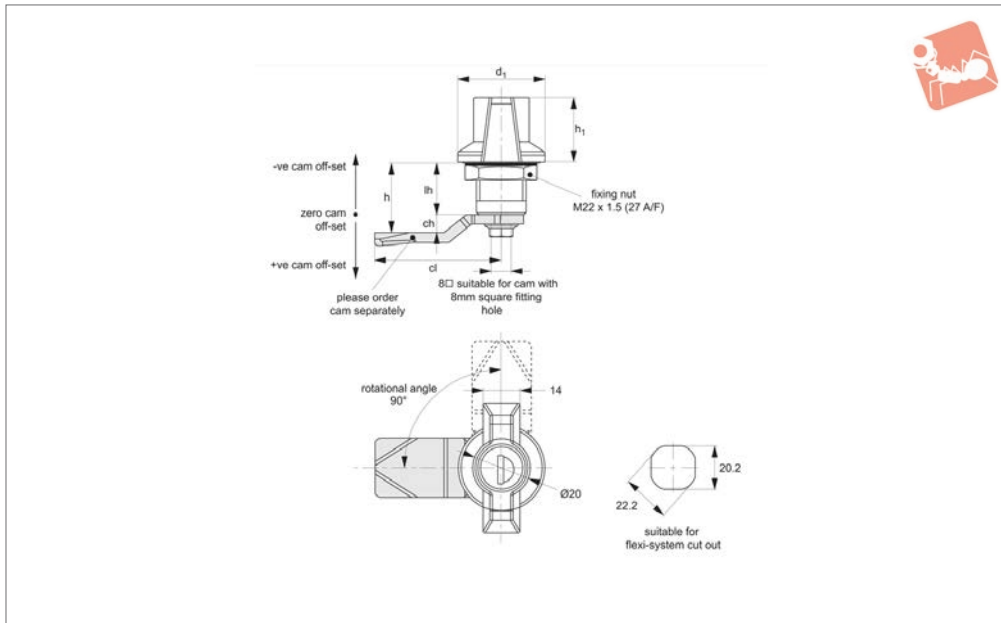
Order No.	Key type	a	b	t	lh
A2005.AW0010	Keyed Alike	43.0	7.5	0,8-2	17.8
A2005.AW0030	Euro Key	43.0	7.5	0,8-2	17.8





Cam Locks - Wing Handle

flexi-system - fixed grip - zinc



A2203

CAM LOCKS

Material

Body & insert: die cast zinc, finished in chrome plate or black powder coating. Fitted with O'ring to provide IP54 rating. Cylinder lock: die cast zinc, chrome plated. With dust cap to prevent material ingress.
Supplied with: Keys: two per lock.
Not supplied: CAM - order separately.

Technical Notes

Order cam separately.
Cams: see suitable cam A0203, A0224 and

A0240. Select „without projection“ cam type. Dimensions ch and cl relate to cam. Use formula to calculate ch (required cam off-set), and refer to cam selection chart;
ch = h - lh where;
ch = required cam off-set/height.
h = grip length (distance between inside of latch face and front of cam).
lh = body length of cam latch/lock to be used (see product table below).

Rods & Guides: to achieve 3-point latching - A0303, A0321, A0325.

Tips

Quarter turn opening or closing. Wings act as actuation handle. Universal left and right.

Important Notes

Sold subject to pack quantity.

Order No.	Body finish	Key type	d ₁	h ₁	lh
A2203.AW0010	Chrome	Keyed Alike	30.5	23.6	18
A2203.AW0020	Chrome	Keyed to Differ	30.5	23.6	18
A2203.AW0310	Black Coated	Keyed Alike	30.5	23.6	18
A2203.AW0320	Black Coated	Keyed to Differ	30.5	23.6	18



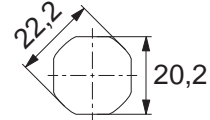
When selecting a Wixroyd Cam Latch for your application, you need to answer these questions:

1. Which installation cut out?
2. Which body style?
3. Which locking key?
4. Which accessories?
5. Which cam type and size?

Step 1: Which installation cut out?

Cut out

All our Flexi-System cam latches use a standard installation cut out 22,2 dia, 20,2 square, for maximum flexibility. We also provide a number of alternative cut out dimensions for legacy/historical installations.



flexi-system cut out

Step 2: Which body style?

Material and finish

Select from our variety of die cast zinc, polyamide plastic and stainless versions.



Die-cast zinc chrome plate

Die-cast zinc black coated

Polyamide black

Stainless steel

Actuation and locking method

Standard insert driver type, cylinder lock or wing handle type.



Insert driver

Cylinder lock

Wing handle

Number of latching points in application

Typically single point latching is required, but the Wixroyd Flexi-System also provides multi-point latching (typically 3 point - at lock point, top and bottom of cabinet).



Single point

Two point

Multi-point

Step 3: Which locking key?

Standard insert driver keys

Our range of insert driver cam latches require a simple key to actuate. Refer to part A0102 and A0103 for correct keys.



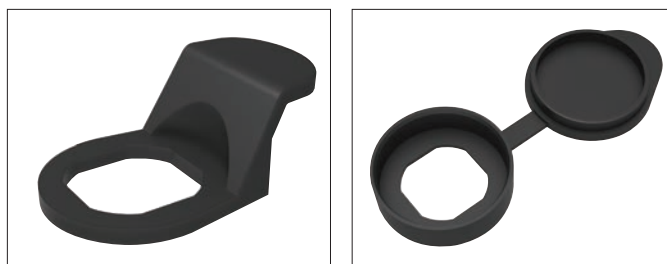
Cylinder locking

Our cam locks with cylinder locks are supplied with two keys per lock. Available as keyed alike or keyed to differ locks.



Step 4: Which accessories?

- Multi-point latching: use our rod set A0303 to A0325 for suitable rods and rod guides.
- Finger pulls: easily installed with any of our flexi-system cam bodies, finger pull no. A0352 is a simple, cost effective handle for your cabinets.
- Dust Cap: to reduce material ingress.

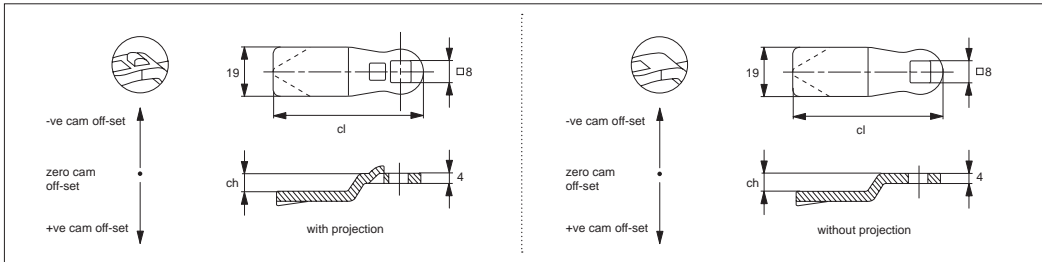


Selecting the Correct Cam Latch or Lock

Cam Latches and Locks

With or without "Projection"

Different cam bodies require cams either with or without projection.



With projection cams prevent turning of the cam over 45°, but is not suited to all cam bodies. For correct projection type please see individual cam body technical pages.

Number of Latching Points

Single point cams are suitable where just single point latching is required. Multi-point cams are for applications requiring 2 or 3 latching points.

Step 5: Which cam type and size?

Wixroyd cams are available in a number of different materials; zinc plated steel, stainless steel (AISI 304) and black plastic.

Cam off-set (dimension ch)

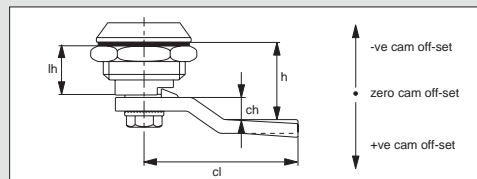
To ensure your cam fully and correctly engages with the frame of your door the correct cam off-set must be selected. A cam off-set can be either negative (-ve) or positive (+ve).

Cam length (dimension cl)

This impacts the reach of the cam to door frame and hence impacts positioning of cam body for installation. Cam length is measured from the centre of the cam fixing hole to the cam's leading edge. Most typically cams are 45 mm in length.

Use formula to calculate ch (required cam off-set), and refer to the cam selection chart.

- ch = h - lh where;
- ch = the required cam off-set/height
- h = grip length (distance between inside of latch face and front of cam).
- lh = body length of cam latch/lock to be used (see example below)



Calculation of correct cam off-set

This is the most important aspect of the selection process.

Example one

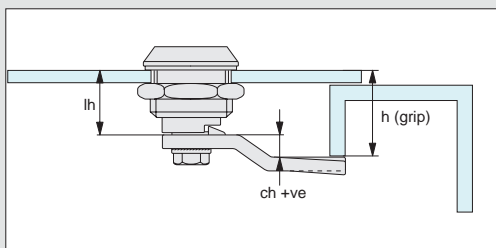
Cam body A1003.AW0010 has been selected for the application. If we refer to the data sheet for this part, suitable cams are parts A0203, A0210 or A0240 - "without projection".

Known application information: h = 26 lh = 18

Therefore; ch = 26 - 18 = +8

Cam off set of +8 is required

Using the data tables for cams A0203, A0210, and A0240 we can select the following cams without projection with an off set of +8; A0203.AW5408 (steel), A0210.AW0428 (stainless) or A0240.AW0108 (three point cam).



Example two

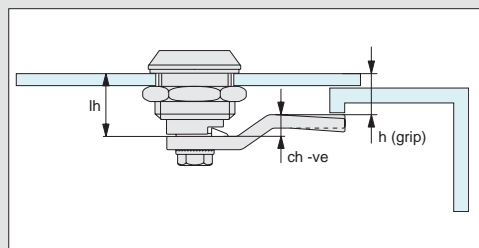
Cam body A1003.AW0010 has been selected for the application. If we refer to the data sheet for this part, suitable cams are parts A0203, A0210 or A0240 - "without projection".

Known application information: h = 14 lh = 18

Therefore; ch = 14 - 18 = - 4

The required cam off set is negative, - 4 as the application's door frame is effectively shorter/lower than the length of the cam body

Using the data tables for cams A0203, A0210 and A0240 we can select the following cam without projection with an off set of - 4; A0203.AW6404 (steel).



Example of calculation of correct cam off-set



Suitable With Projection Cams				
Compatible cam no.	A0261	A0203	A0210	A0240
	6 x 6 square	8 x 8 square	8 x 8 square	8 x 8 square
Cam fitting hole				
Cam latch / lock no.	A1261 / A1281 / A2390	A2503 / A2504 A2523 / A2528	A2503 / A2504 A2523 / A2528	A2503 / A2504 A2523 / A2528

Suitable Without Projection Cams Table 1				
Compatible cam no.	A0203	A0210	A0240	A0243
	8 x 8 square	8 x 8 square	8 x 8 square	8 x 8 square
Cam fitting hole				
Cam latch / lock no.	A1003 / A1021 / A1103 A1161 / A1168 / A1181 A1203 / A1210 / A1251 A1601 / A1620 / A1801 A2001 / A2203 / A2326 A2333 / A2392 / A2526 A4221 / A4241 / A4260 B1082 / B1086 / B1088 B1091 / B1092 / B1180 B1281 / B1285 / B1380 B1450 / B2091 / B2181	A1003 / A1021 / A1103 A1161 / A1168 / A1181 A1203 / A1210 / A1251 A1601 / A1620 / A1801 A2001 / A2203 / A2326 A2333 / A2392 / A2526 A4221 / A4241 / A4260 B1082 / B1086 / B1088 B1091 / B1092 / B1180 B1281 / B1285 / B1380 B1450 / B2091 / B2181	A1003 / A1021 / A1103 A1161 / A1168 / A1181 A1203 / A1210 / A1251 A1601 / A1620 / A1801 A2001 / A2203 / A2326 A2333 / A2392 / A2526 A4221 / A4241 / A4260 B1082 / B1086 / B1088 B1091 / B1092 / B1180 B1281 / B1285 / B1380 B1450 / B2091 / B2181	A1003 / A1021 / A1103 A1161 / A1168 / A1181 A1203 / A1210 / A1251 A1601 / A1620 / A1801 A2001 / A2203 / A2326 A2333 / A2392 / A2526 A4221 / A4241 / A4260 B1082 / B1086 / B1088 B1091 / B1092 / B1180 B1281 / B1285 / B1380 B1450 / B2091 / B2181

Suitable Without Projection Cams Table 2					
Compatible cam no.	A0250	A0234	A0215	A0231	A0233
	5 x 5 square	6,3 dia. x 4,9	7 x 7 square	8 x 10 dia.	8 x 10 dia.
Cam fitting hole					
Cam latch / lock no.	A4600 / A4620	A1661 / A1667	B2082 / B2084 / B2086 B2088 / B2285 / B2380	A1603 / A1611 A1630 / A1810	A1603 / A1611 A1630 / A1810

Calculation of correct cam off-set

Cam off-set

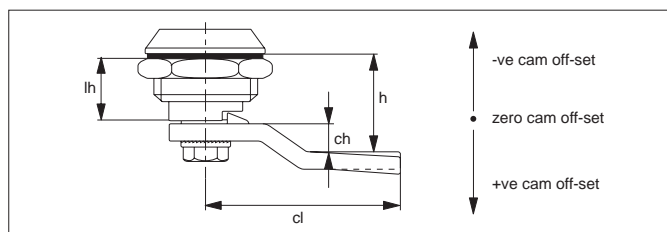
Use the formula to calculate your correct cam off-set:

$$ch = h - lh$$

ch = the required cam off-set.

h = distance between inside of lock face and front of cam (also referred to as "grip length").

lh = length of cam body to be used (refer to individual cam body data sheets).

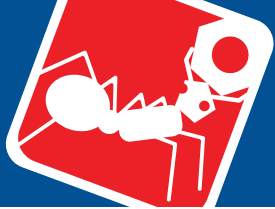


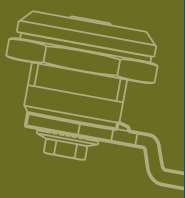
Cam Off-Set (dimension ch)

To ensure your cam fully and correctly engages with the frame of your door the correct cam off-set must be selected. A cam off-set can be either negative (-ve) or positive (+ve).

Cam Length (dimension cl)

Impacts reach of the cam to door frame and hence impacts positioning of cam body for installation. Cam length or reach is measured from the centre of the cam fixing hole to the cam's leading edge. Refer to individual cam body datasheets.

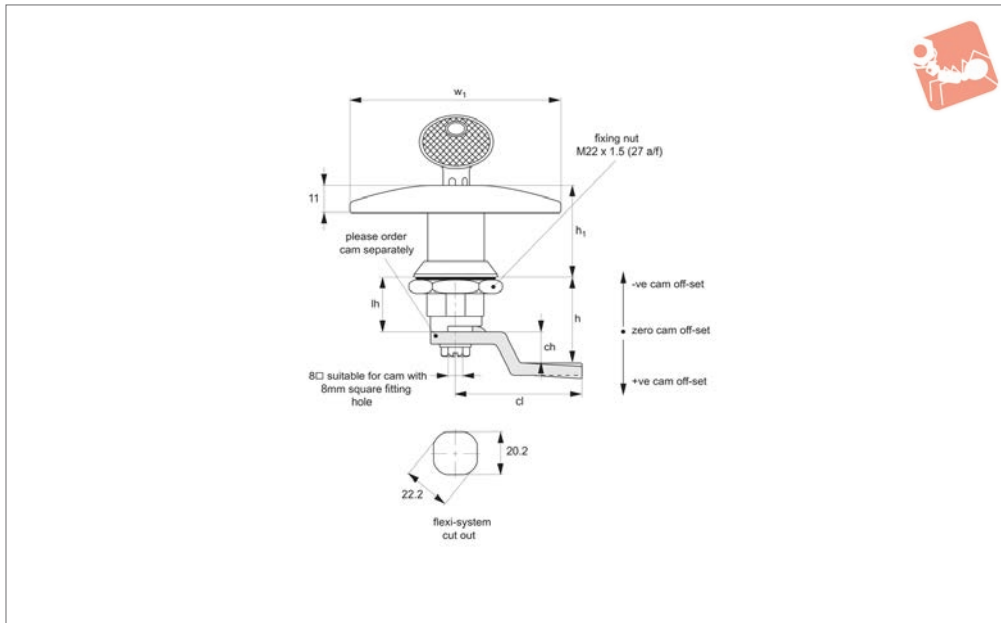






Cam Locks - Flexi-System

T-handle - fixed grip



A2503

CAM LOCKS

Material

Type one & two: Body: die cast zinc.
 Finished in chrome plate or black powder coating.
 Cylinder lock: die cast zinc, chrome plated.
 IP65/NEMA 4 rated.
Supplied with: Nut: steel, zinc plated.
 Sealing washer: PU & Rubber.
 Keys: two per lock.

Not supplied: Cam: order separately.

Technical Notes

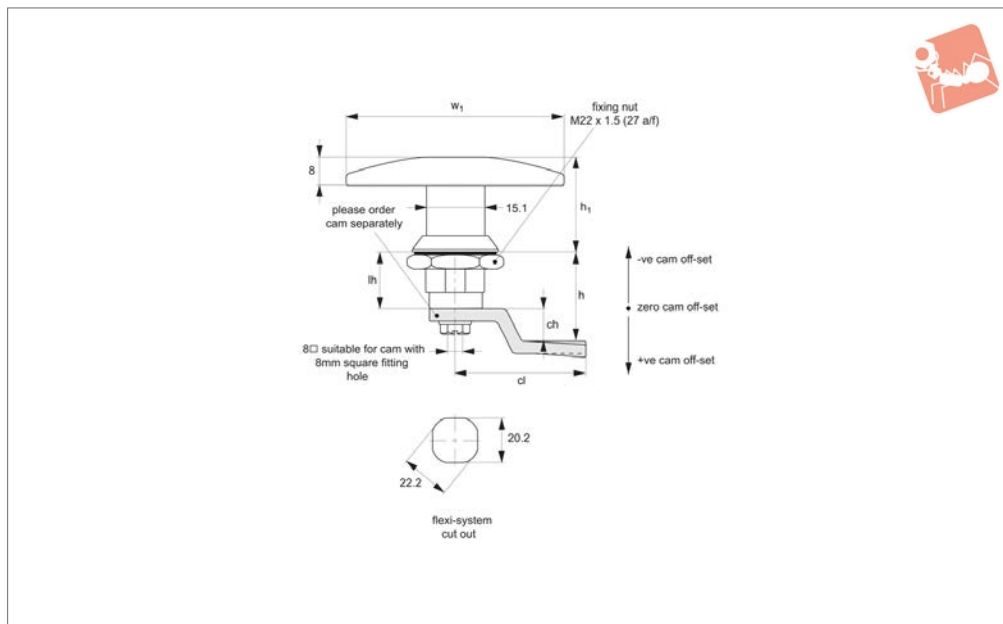
Order cam separately.
Cams: see suitable cam A0203, and A0240.
 Select „with projection“ cam type to prevent cam rotating over 45°. Dimensions ch and cl relate to cam. Use formula to calculate ch (required cam off-

set), and refer to cam selection chart;
ch = h - lh where;
ch = required cam off-set/height.
h = grip length (distance between inside of latch face and front of cam).
lh = body length of cam latch/lock to be used (see product table below).
Rods & Guides: to achieve 3-point latching - A0303, A0321, A0325.

Order No.	Body finish	Key type	w ₁	h ₁	lh
A2503.AW0110	Chrome Plated	Keyed Alike	78	37	18
A2503.AW0120	Chrome Plated	Keyed to Differ	78	37	18
A2503.AW0310	Black Coated	Keyed Alike	78	37	18
A2503.AW0320	Black Coated	Keyed to Differ	78	37	18



A2504



Material

Body: die cast zinc, black powder coated.
Fitted with O'ring to achieve IP54 rating.

Not Supplied Cam: steel, white zinc-plated.

Technical Notes

Order cam separately.

Cams: see suitable cam A0203, A0224 and A0240. Select „without projection“ cam type.

Dimensions ch and cl relate to cam. Use formula to calculate ch (required cam off-set), and refer to cam selection chart;

$$ch = h - lh \text{ where;}$$

ch = required cam off-set/height.

h = grip length (distance between inside of latch face and front of cam).

lh = body length of cam latch/lock to be used (see product table below).

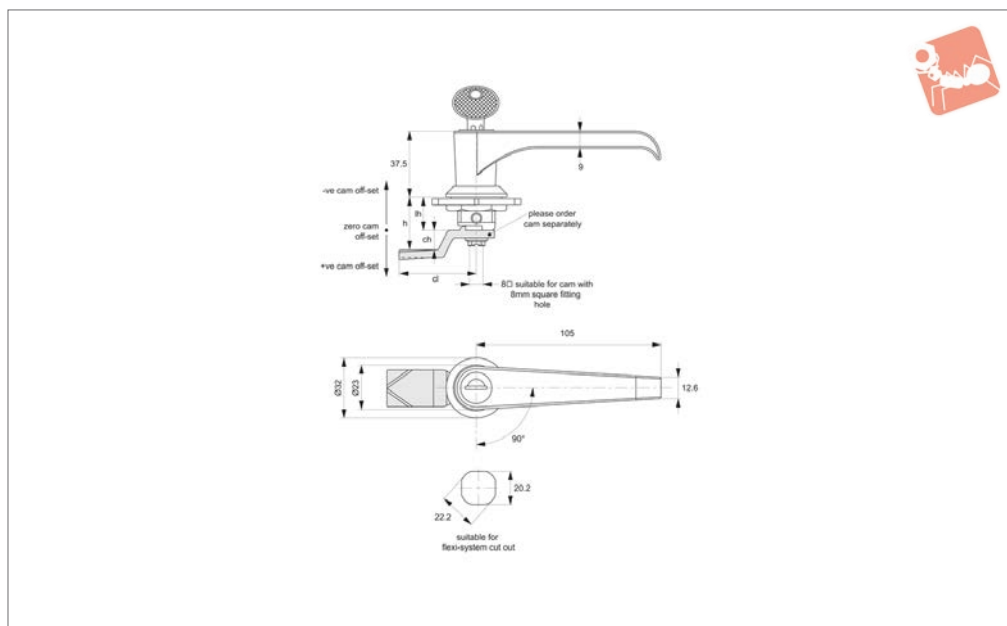
Rods & Guides: to achieve 3-point latching - A0303, A0321, A0325.

Order No.	Key type	w ₁	h ₁	lh
A2504.AW0318	Blank - No Lock	60	30	18
A2504.AW0328	Blank - No Lock	60	30	28
A2504.AW0336	Blank - No Lock	60	30	36
A2504.AW0362	Blank - No Lock	60	30	62



Cam Lock - Flexi System

L-handle - fixed grip



A2523

CAM LOCKS

Material

Body: die cast zinc, finished in chrome plate or black powder coating.
 Cylinder lock: die cast zinc, chrome plated.
Supplied With: Nut: steel, zinc plated.
 Keys: two per lock.
Not Supplied: Cam: order separately.

Technical Notes

Order cam separately.

Cams: see suitable cam A0203, and A0240. Select „with projection“ cam type to prevent cam rotating over 45°. Dimensions ch and cl relate to cam. Use formula to calculate ch (required cam off-set), and refer to cam selection chart;
 $ch = h - lh$ where;
 ch = required cam off-set/height.
 h = grip length (distance between inside of

latch face and front of cam).
lh = body length of cam latch/lock to be used (see product table below).
Rods & Guides: to achieve 3-point latching - A0303, A0321, A0325.
Tips
 Disc tumbler cylinder locks with stainless dust cap, to prevent material ingress.
 Universal left and right.

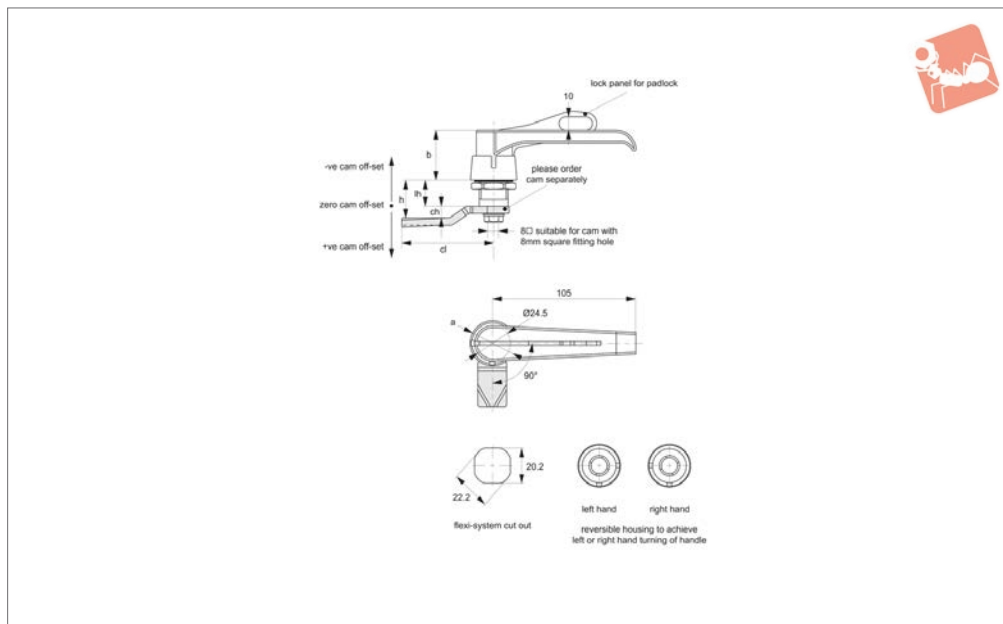
Order No.	Body finish	Key type	d ₁	lh
A2523.AW0110	Chrome Plated	Keyed Alike	32	18
A2523.AW0120	Chrome Plated	Keyed to Differ	32	18
A2523.AW0310	Black Coated	Keyed Alike	32	18
A2523.AW0320	Black Coated	Keyed to Differ	32	18
A2523.AW4110	Stainless Steel	Keyed Alike	32	18



CAM LOCKS



A2526



Material

Type One: Body & handle: die cast zinc, black coated. Fitted with O'ring to achieve IP54 rating.

Type Two: Body & handle: stainless steel.
Not Supplied: CAM - order separately.

Technical Notes

Order cam separately.

Cams: see suitable cam A0203, A0224 and

A0240. Select „without projection“ cam type.

Dimensions ch and cl relate to cam. Use formula to calculate ch (required cam off-set), and refer to cam selection chart;

ch = h - lh where;

ch = required cam off-set/height.

h = grip length (distance between inside of latch face and front of cam).

lh = body length of cam latch/lock to be used (see product table below).

Rods & Guides: to achieve 3-point latching - A0303, A0321, A0325.

Tips

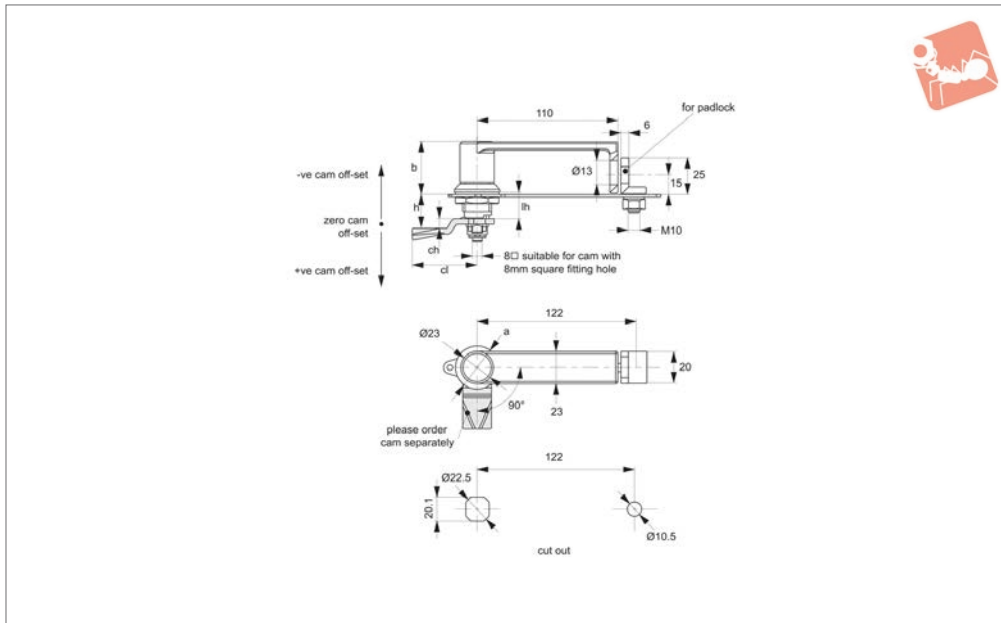
Quarter-turn opening or closing, padlockable. Reversible housing allows for left or right hand turning of handle.

Order No.	Body finish	Type	a	b	lh
A2526.AW0010	Black Coated	Padlockable	32	36	18
A2526.AW0020	Stainless Steel	Padlockable	32	36	18



Cam Lock - Flexi-System

L-handle - padlockable - zinc



A2528

CAM LOCKS

Material

Body: die cast zinc, black powder coated.
 Handle & lock panel: aluminium, black powder coated.

Not Supplied: Cam: order separately.

Technical Notes

Order cam separately.

Cams: see suitable cam A0203, and A0240. Select „with projection“ cam type to

prevent cam rotating over 45°.

Dimensions ch and cl relate to cam. Use formula to calculate ch (required cam off-set), and refer to cam selection chart;

ch = h - lh where;

ch = required cam off-set/height.

h = grip length (distance between inside of latch face and front of cam).

lh = body length of cam latch/lock to be

used (see product table below).

Rods & Guides: to achieve 3-point latching - A0303, A0321, A0325.

Tips

Suitable for padlocks with max. 13mm dia. shackle.

L- handle padlockable to fixed plate on enclosure for extra security.

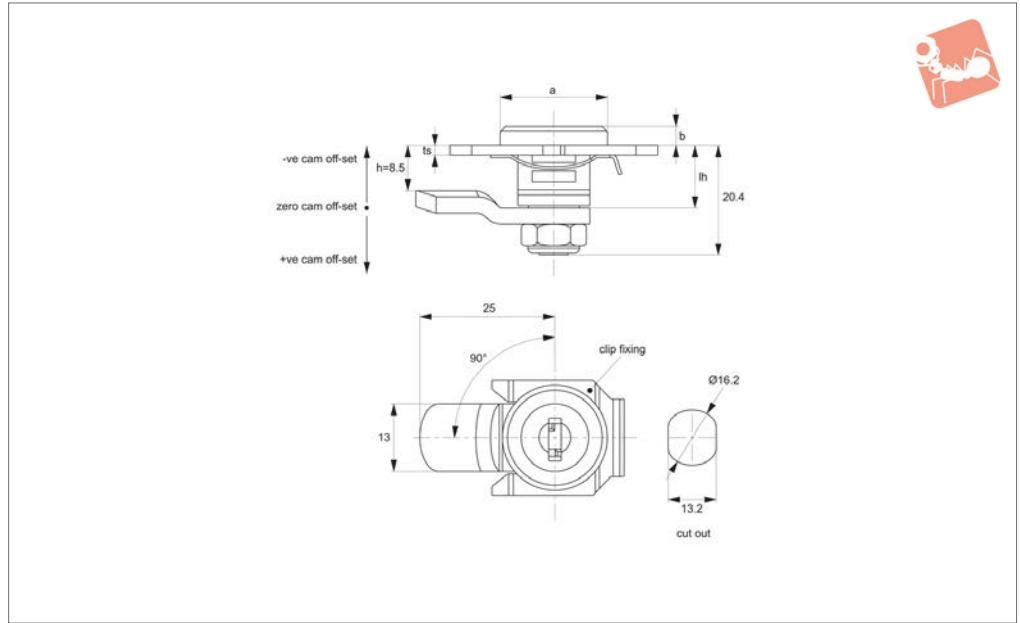
Order No.	Body finish	Type	a	b	lh
A2528.AW0018	Black Coated	Padlockable	32	35	18



CAM LOCKS



A2324



Material

Body & insert: die cast zinc, pocked black powder coated.

Supplied with: Keys: two per lock.

Cam: zinc plated steel.

Technical Notes

For panel thickness 1.5-5mm. Dimensions

ch & cl relate to cam. Use formula to calculate ch (required cam off-set), and refer to cam selection chart;

ch = h - lh where;

ch = required cam off-set/ height.

h = grip length (distance between inside of latch face and front of cam).

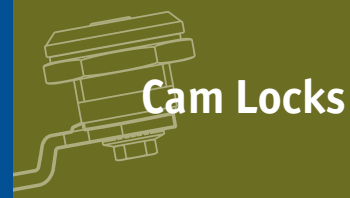
lh = body length of cam latch/lock to be used (see product table below).

Order No.	Key type	a	b	lh	ts
A2324.AW0010	Keyed Alike	19.5	3.5	11.5	1,5-5

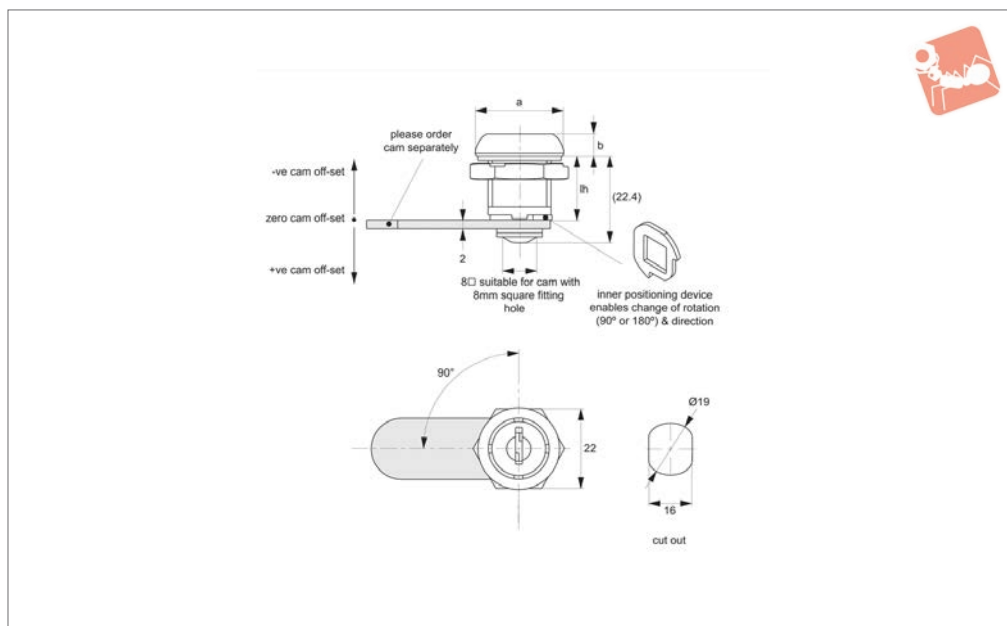


Mini Cam Lock

fixed grip - plastic/stainless



Cam Locks



A2326

CAM LOCKS

Material

Body & inset: plastic.
Cap: stainless steel, mirror polished.
Nut: die cast zinc, white zinc plated. Screw: steel, white zinc plated.

Supplied with:

Keys: two per lock.

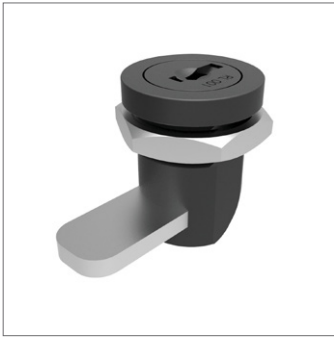
Technical Notes

Order cam separately.
Suitable for use with cam A2326.AW0999

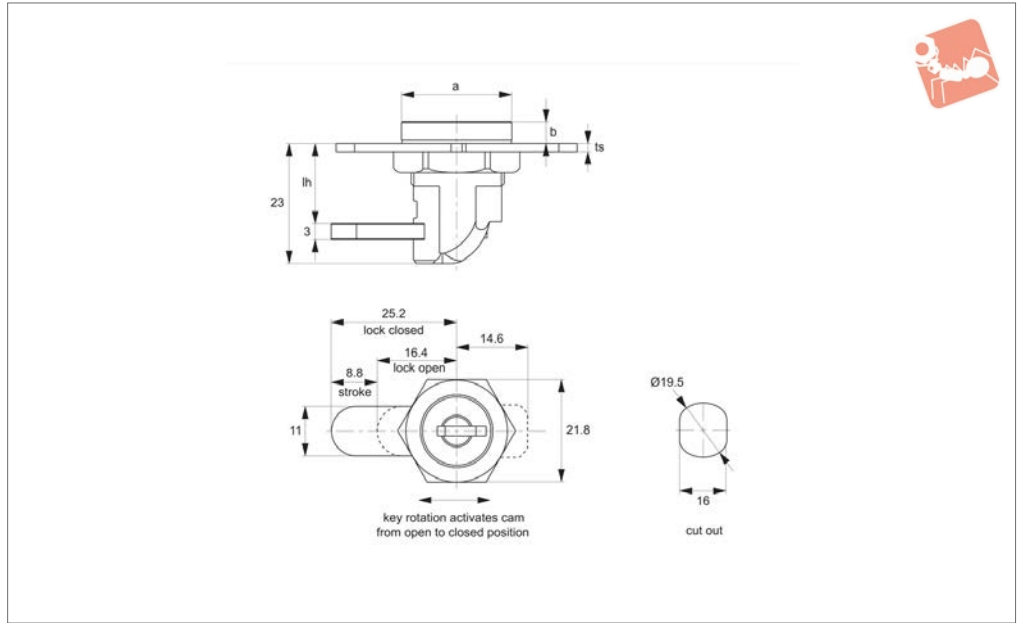
Tips

Lock has inner positioning device which can be manipulated to give either 90° or 180° lock rotation, and to can change direction of rotation.

Order No.	Key type	Rotation	a	b	lh
A2326.AW0010	Keyed Alike	90	22.8	5.8	16.5
A2326.AW0020	Keyed Alike	180	22.8	5.8	16.5
A2326.AW0999	Cam	-	-	-	-



A2328



CAM LOCKS

Material

Body & insert: zinc die cast, black painted.

Supplied with: Cam: steel, white zinc plated.

Keys: two supplied per lock.

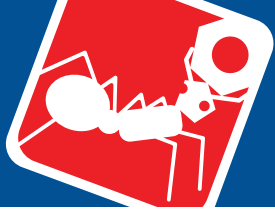
Tips

Actuation of lock by turning key 180°. The

cam extends to lock and retracts to open.

Cam has effective stroke of 8,8mm.

Order No.	Key type	a	b	lh
A2328.AW0010	Keyed Alike	21.6	4	15

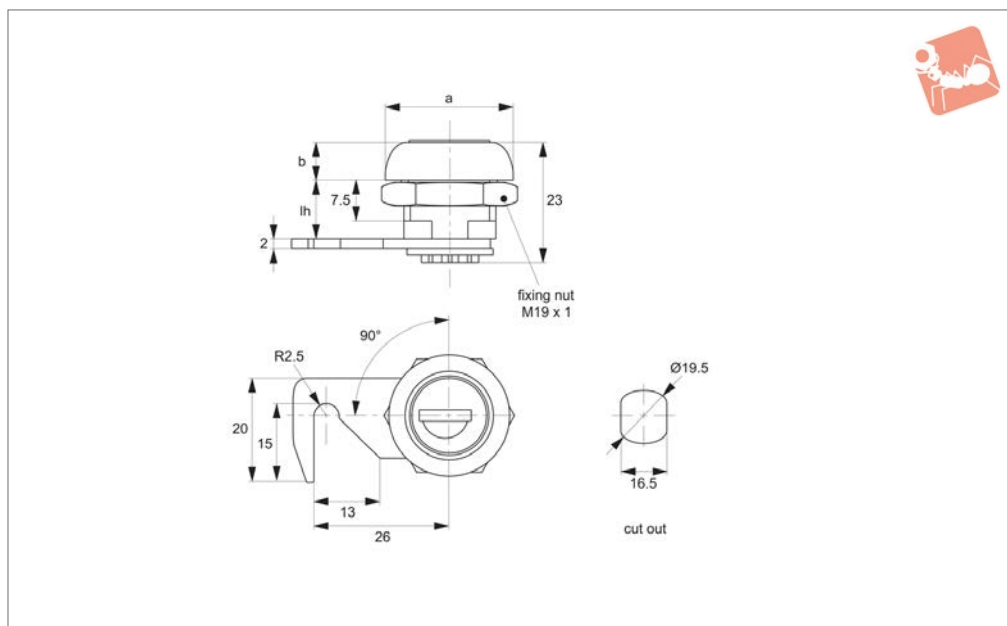


Mini Cam Lock

hooked cam - fixed grip - zinc



Cam Locks



A2330

CAM LOCKS

Material

Body: zinc die cast, bright chrome plated.

Supplied with: Cam: steel, white zinc

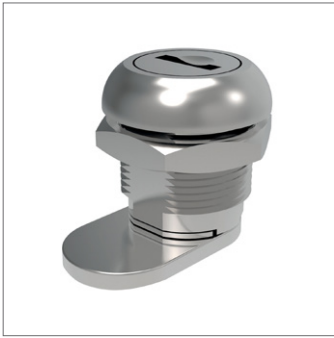
plated. Keys: supplied two per lock.

to fixed point on frame.

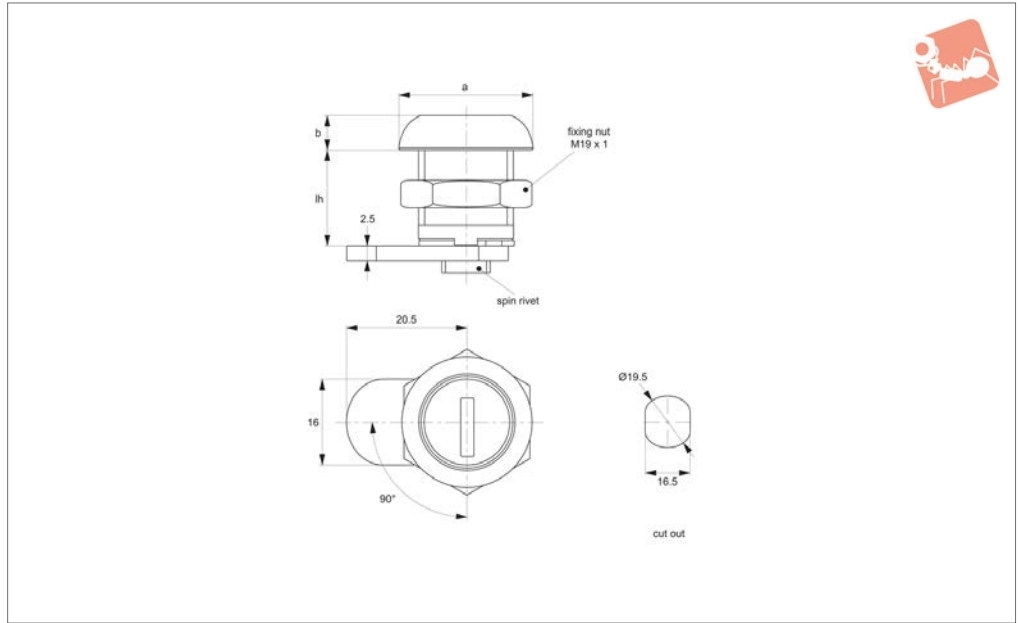
Technical Notes

Hooked cam allows locking by rotation on

Order No.	Key type	a	b	lh
A2330.AW0010	Keyed Alike	24.0	7.2	11
A2330.AW0020	Keyed to Differ	24.0	7.2	11



A2331



Material

Body: zinc die cast, white zinc plated.

Supplied with: Cam: steel.

Keys: two per lock.

Tips

Quarter turn opening or closing. Ideal for

use in metal cabinets, drawers and machinery covers etc.

Due to compact size of cam and lock body there is no need to remove cam during installation.

Keyed to differ model has a max. 100 key

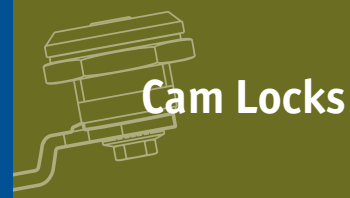
combinations.

Order No.	Key type	a	b	lh
A2331.AW0010	Keyed Alike	23.0	6	16
A2331.AW0020	Keyed to Differ	23.0	6	16

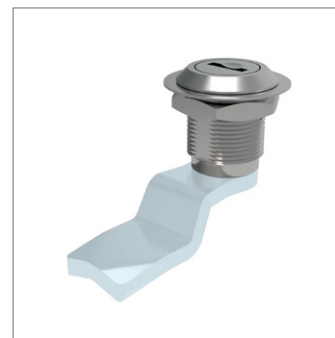
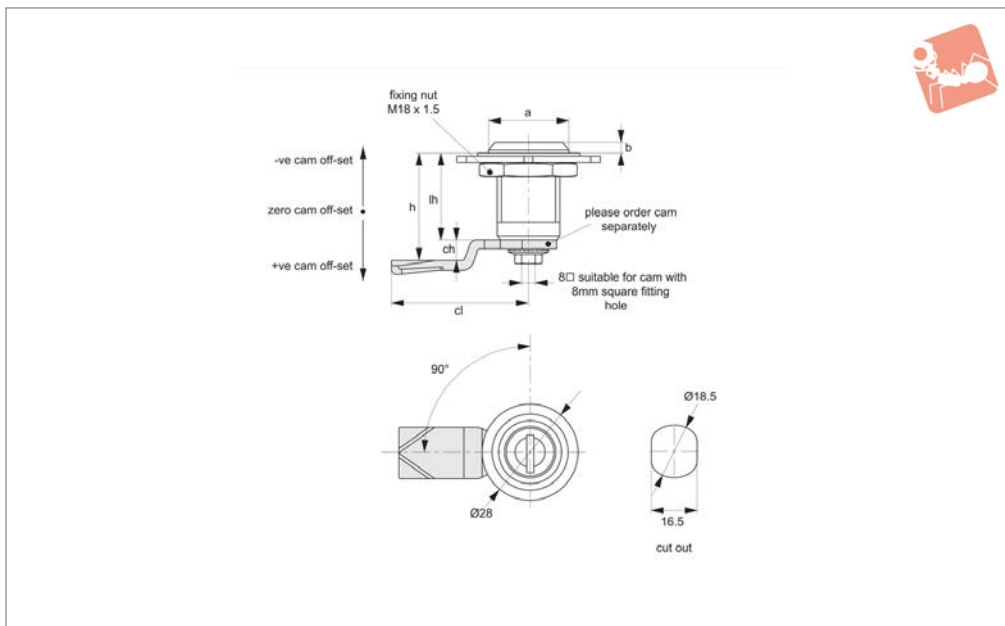


Mini Cam Lock

fixed grip - zinc



Cam Locks



A2333

CAM LOCKS

Material

Body & insert: zinc die cast, bright chrome plated.

Supplied with: Cam: steel, white zinc plated.

Keys: two per lock.

Technical Notes

Order cam separately.

Cams: see suitable cam A0203, A0224 and A0240. Select „without projection“ cam

type.

Dimensions **ch** and **cl** relate to cam. Use formula to calculate **ch** (required cam off-set), and refer to cam selection chart;

ch = h - lh where;

ch = required cam off-set/height.

h = grip length (distance between inside of latch face and front of cam).

lh = body length of cam latch/lock to be used (see product table below).

Rods & Guides: to achieve 3-point latching - A0303, A0321, A0325.

Tips

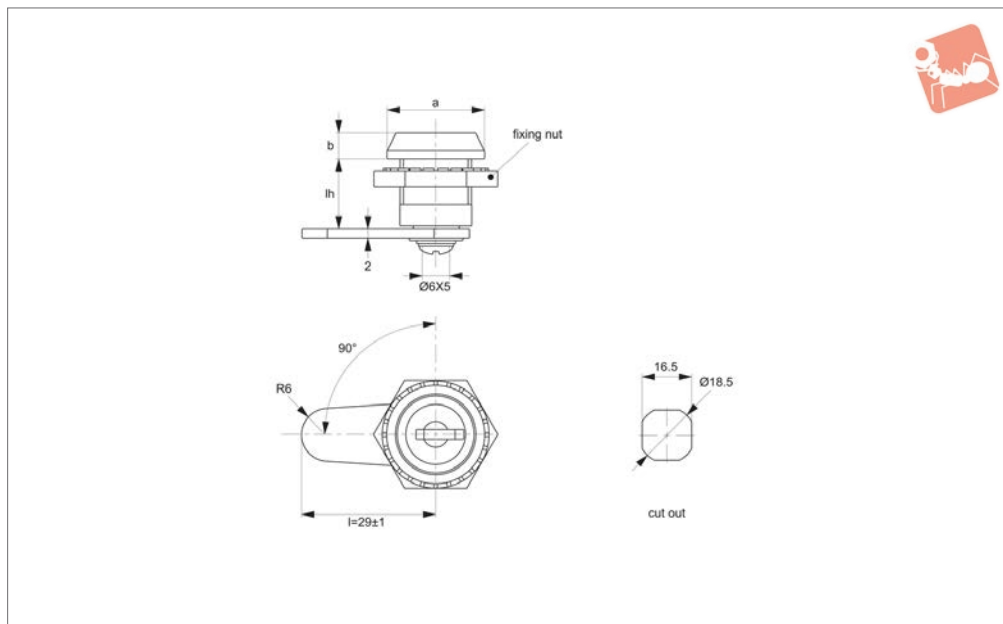
Quarter turn opening or closing. Ideal for use in metal cabinets, drawers and machinery covers etc.

Due to compact size of cam and lock body there is no need to remove cam during installation.

Order No.	Key type	a	b	lh
A2333.AW0010	Keyed Alike	22.5	3	16
A2333.AW0110	Keyed Alike	22.5	3	20
A2333.AW0210	Keyed Alike	22.5	3	30
A2333.AW0120	Keyed to Differ	22.5	3	20
A2333.AW0020	Keyed to Differ	22.5	3	16
A2333.AW0220	Keyed to Differ	22.5	3	30



A2340



Material

Body & insert: zinc die cast, bright chrome plated.

Supplied with: Cam: steel, white zinc plated. Keys: two per lock.

Tips

Quarter turn opening or closing. Ideal for use in metal cabinets, drawers and machinery covers etc.

Due to compact size of cam and lock body

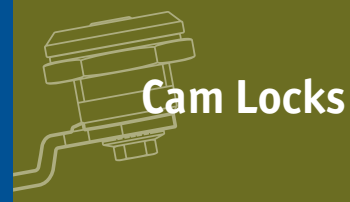
there is no need to remove cam during installation.

Order No.	Key type	a	b	lh
A2340.AW0010	Keyed Alike	22.0	6	15

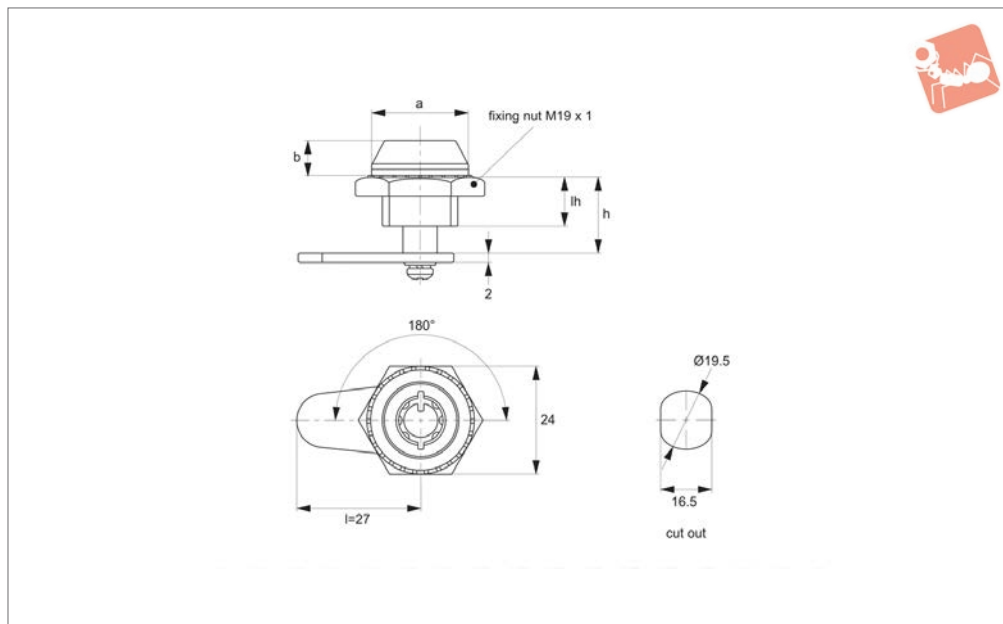


Cam Lock - Radial Key

fixed grip - zinc



Cam Locks



A2342

CAM LOCKS

Material

Body & insert: zinc die cast, bright chrome plated.

Supplied with: Cam: steel, white zinc

plated. Keys: two per lock.

key offers extra security.

Tips

180° rotation opening and closing. Radial

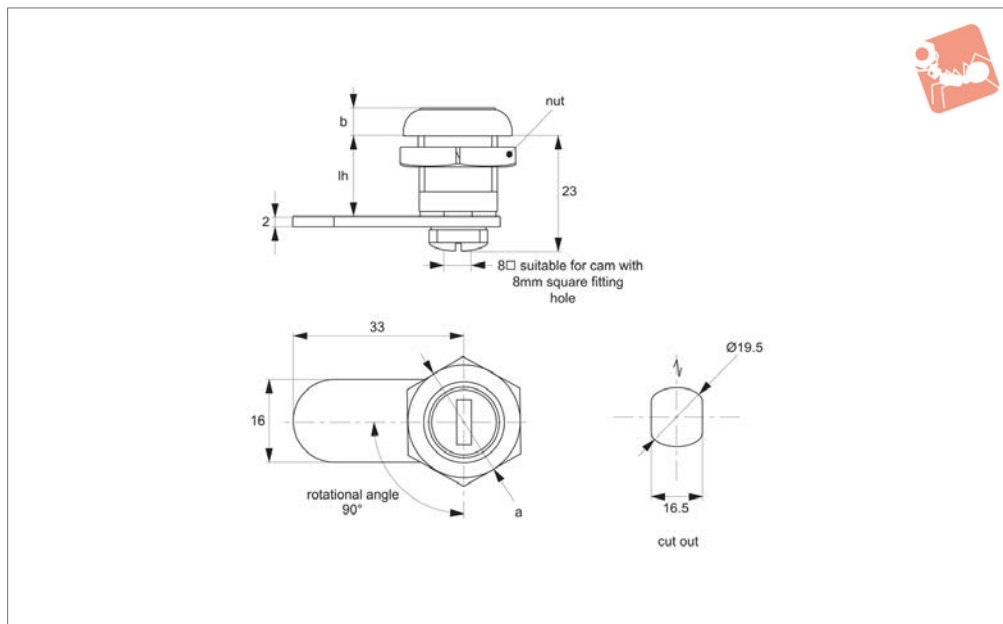
Order No.	Key type	a	b	h	lh
A2342.AW0022	Radial Key	22.0	7.5	19	13



CAM LOCKS



A2383



Material

Body & insert: die cast zinc, bright chrome plated.

Fixed grip: zinc.

Supplied with: Nuts, Cam and Keys: two per lock.

Tips

Ideal for use in metal cabinets, drawers

and machinery covers etc.

Due to compact size of cam and lock body there is no need to remove cam during installation.

Keyed to differ model has a max. 100 key combinations.

Type Three - 90° key rotation, key non-removable when in unlocked position.

Quarter-turn opening. Locks have dust cover.

Order No.	a	b	lh
A2383.AW0010	22.0	5.5	15.5

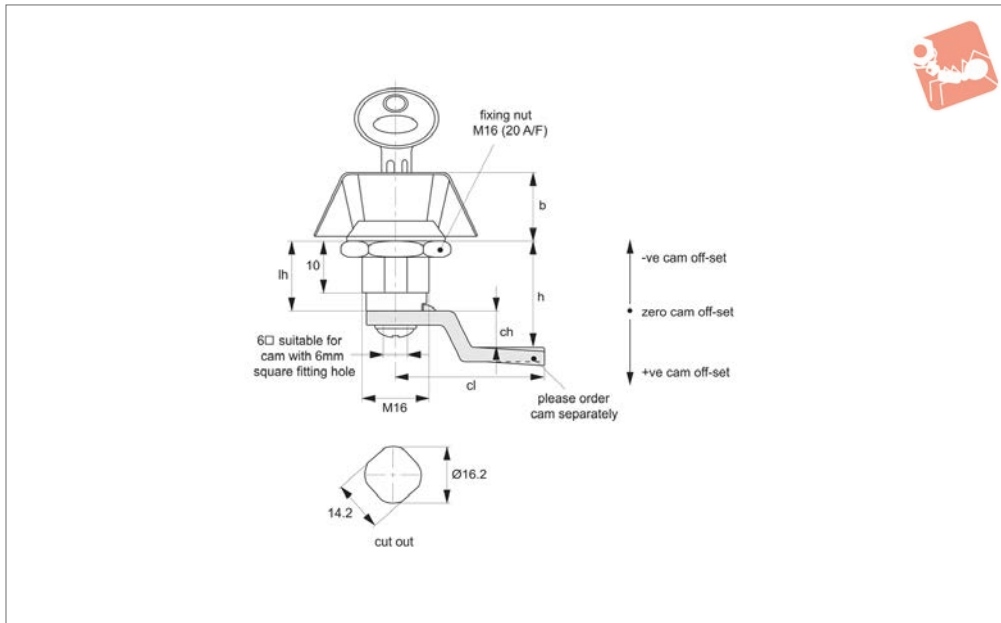


Mini Cam Locks

wing handle - fixed grip - zinc



Cam Locks



A2390

CAM LOCKS

Material

Black painted ZDC housing and handle, white zinc plated cam.

Supplied with: Keys: two per lock. Nut - steel, zinc plated.

Not supplied: CAM - order separately.

Technical Notes

Order cam separately.

Cams: see suitable cam A0261. Select „with projection“ cam type to prevent cam rotating over 45°.

Dimensions ch and cl relate to cam. Use formula to calculate ch (required cam off-set), and refer to cam selection chart;

ch = h - lh where;

ch = required cam off-set/height.

h = grip length (distance between inside of latch face and front of cam).

lh = body length of cam latch/lock to be used (see product table below).

Important Notes

Sold subject to pack quantity.

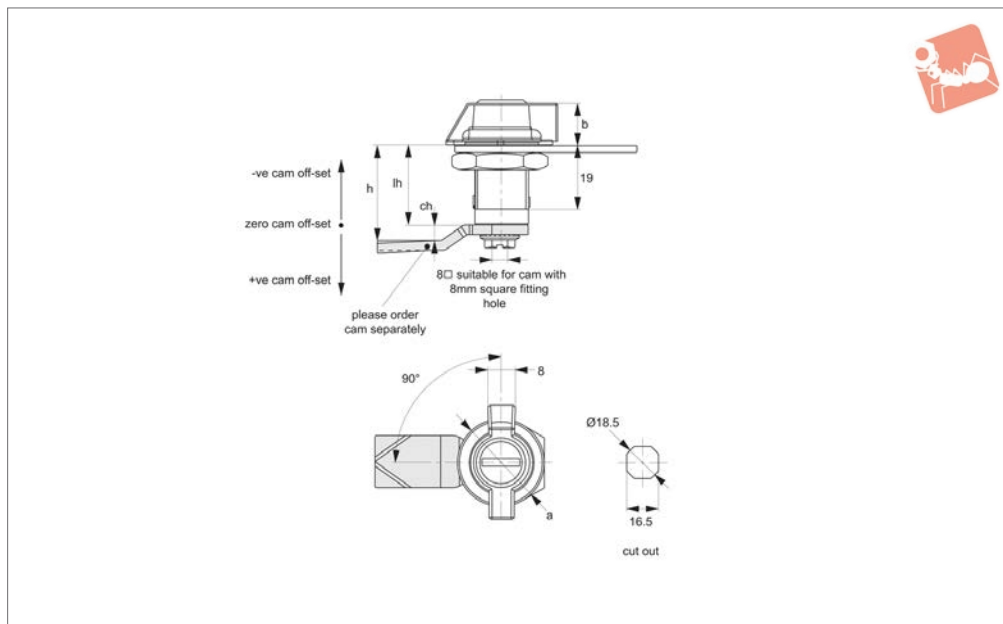
Order No.	Key type	Type	Body finish	b	lh
A2390.AW0010	Keyed Alike	Type One	Chrome Plated	14.5	13.0
A2390.AW0020	Keyed Alike	Type Two	Black Coated	14.5	13.0



CAM LOCKS



A2392



Material

Body & handle: die cast zinc, black coated.

Supplied With: Keys: two per lock.

Not supplied: Cam: order separately.

Technical Notes

Order cam separately.

Cams: see suitable cam A0203, A0224 and

A0240. Select „without projection“ cam type.

Dimensions **ch** and **cl** relate to cam. Use formula to calculate **ch** (required cam off-set), and refer to cam selection chart;

ch = h - lh where;

ch = required cam off-set/height.

h = grip length (distance between inside of latch face and front of cam).

lh = body length of cam latch/lock to be used (see product table below).

Rods & Guides: to achieve 3-point latching - A0303, A0321, A0325.

Order No.	Key type	a	Body finish	b	lh
A2392.AW0010	Keyed Alike	25.0	Chrome Plated	13	24
A2392.AW0020	Keyed Alike	25.0	Black Coated	13	24

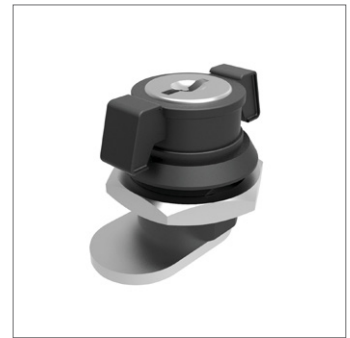
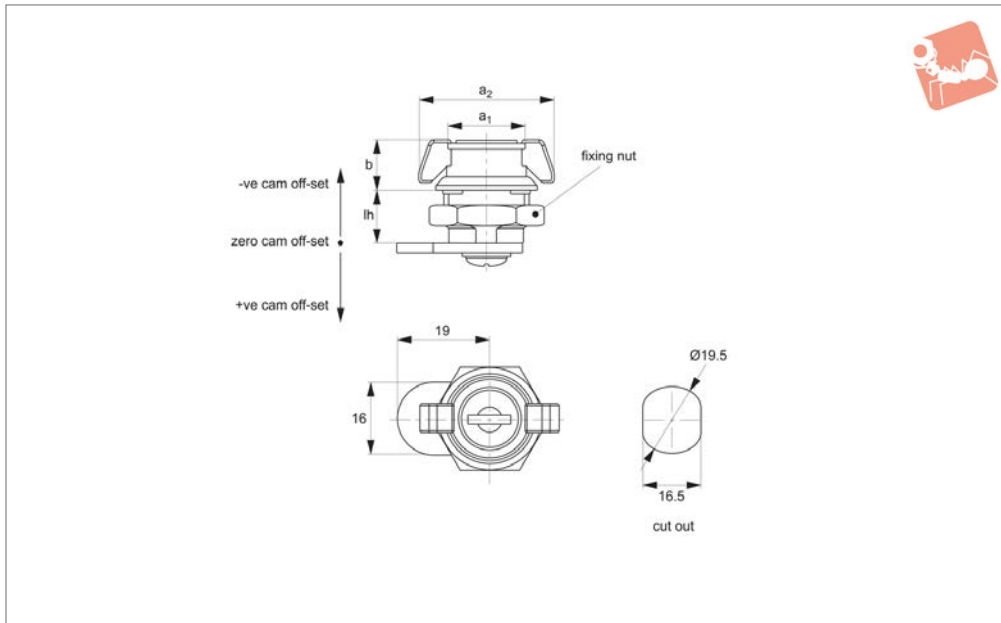


Mini Cam Lock

wing handle - fixed grip - short cam



Cam Locks



A2393

CAM LOCKS

Material

Housing and insert: die cast zinc.
Cam: steel.

Supplied With: cam and keys.

Tips






Quarter-turn opening or closing. Wing knob acts as grip/handle.

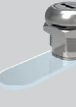








Important Notes

Sold subject to pack qty.

Order No.	Body finish	a ₁	a ₂	b	lh
A2393.AW0010	Chrome Plated	17	29.5	11	11
A2393.AW0020	Black Coated	17	29.5	11	11



Actuation Method	Body	Finishes	Cam Type	IP Rating	cut out	
					16,2	13,5
Insert Driver Cylinder Lock Manual/Grip	Die-Cast Zinc Polyamide Plastic Stainless Steel	Chrome Plated Black Coated Natural	With Projection W/O Projection			
A1661 - Mini Compression Latch - Fixed Grip						
	✓	22,5	✓	✓	✓	54
Cams: A0234 - Keys: A0102						
A1667 - Mini Compression Latch - Wing Handle - Fixed Grip						
	✓	22,5	✓	✓	✓	54
Cams: A0234 - Keys: N/A						
Actuation Method	Body	Finishes	Cam Type	IP Rating	cut out	
					16,2	14,2
Insert Driver Cylinder Lock Manual/Grip	Die-Cast Zinc Polyamide Plastic Stainless Steel	Chrome Plated Black Coated Natural	With Projection W/O Projection			
A1261 - Mini Cam Latch - Fixed Grip						
	✓	12,5	✓	✓	✓	✓
Cams: A0261 - Keys: A0102						
A1281 - Mini Cam Latch - Wing Handle - Fixed Grip						
	✓	12,5	✓	✓	✓	✓
Cams: A0261 - Keys: N/A						
A2390 - Mini Cam Lock - Wing Handle - Fixed Grip						
	✓	13	✓	✓	✓	✓
Cams: A0261 - Keys: Supplied						

Actuation Method	Body	Finishes	Cam Type	IP Rating	cut out	
					Ø19	16
Insert Driver Cylinder Lock Manual/Grip	Die-Cast Zinc Polyamide Plastic Stainless Steel	Chrome Plated Black Coated Natural	With Projection W/O Projection			
A2326 - Mini Cam Lock - Fixed Grip						
	✓	16,5	✓	✓	✓	✓
Cams: Supplied - Keys: Supplied						
A2328 - Mini Cam Lock - Fixed Grip						
	✓	15	✓	✓	✓	✓
Cams: N/A - Keys: Supplied						
A2330 - Mini Cam Lock - Fixed Grip						
	✓	11	✓	✓	✓	✓
Cams: Supplied - Keys: Supplied						
A2331 - Mini Cam Lock - Fixed Grip						
	✓	16	✓	✓	✓	✓
Cams: Supplied - Keys: Supplied						
A2342 - Mini Cam Lock - Fixed Grip - Radial Key						
	✓	13	✓	✓	✓	✓
Cams: Supplied - Keys: Supplied						
A2393 - Mini Cam Lock - Wing Handle - Fixed Grip						
	✓	11	✓	✓	✓	✓
Cams: Supplied - Keys: Supplied						
Actuation Method	Body	Finishes	Cam Type	IP Rating	cut out	
					Ø18,5	16,5
Insert Driver Cylinder Lock Manual/Grip	Die-Cast Zinc Polyamide Plastic Stainless Steel	Chrome Plated Black Coated Natural	With Projection W/O Projection			
A2333 - Mini Cam Lock - Fixed Grip						
	✓	Various	✓	✓	✓	✓
Cams: A0203, A0224, A0240 - Keys: Supplied						
A2340 - Mini Cam Lock - Fixed Grip						
	✓	15	✓	✓	✓	✓
Cams: Supplied - Keys: Supplied						
A2392 - Mini Cam Lock - Wing Handle - Fixed Grip						
	✓	24	✓	✓	✓	✓
Cams: A0203, A0224, A0240 - Keys: Supplied						

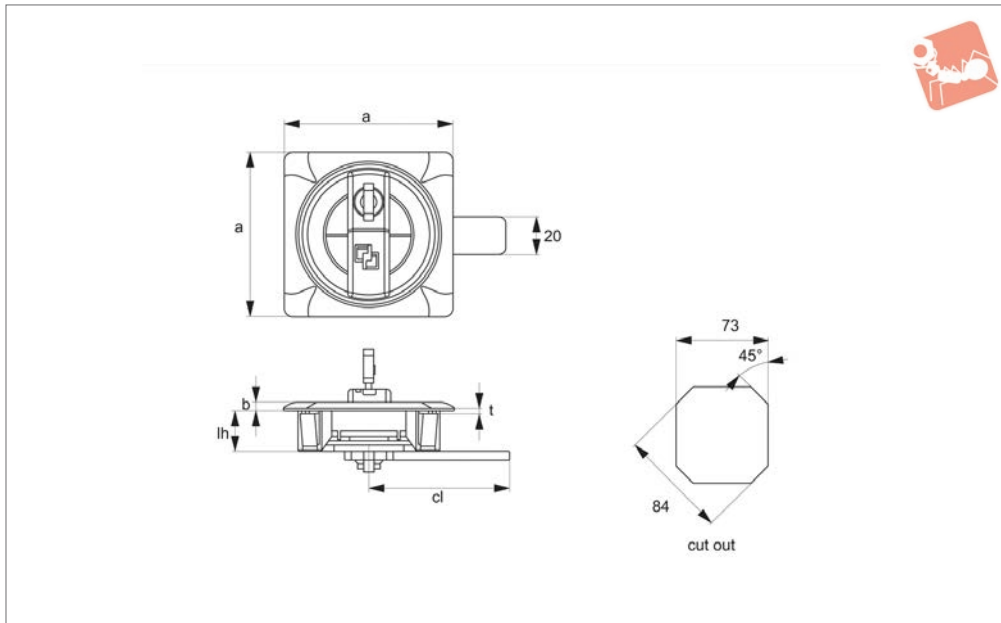


Cabinet Lock - Snap in

Recessed handle, cylinder lock, polyamide



Cam Locks



B4510

CAM LOCKS

Material

Body: Black plastic (PA6).
Handle: Zinc.

Supplied: Cam and key.

Technical Notes

For plain/flush mounted doors, as well as

electrical panels and covers.

securely mount handle.

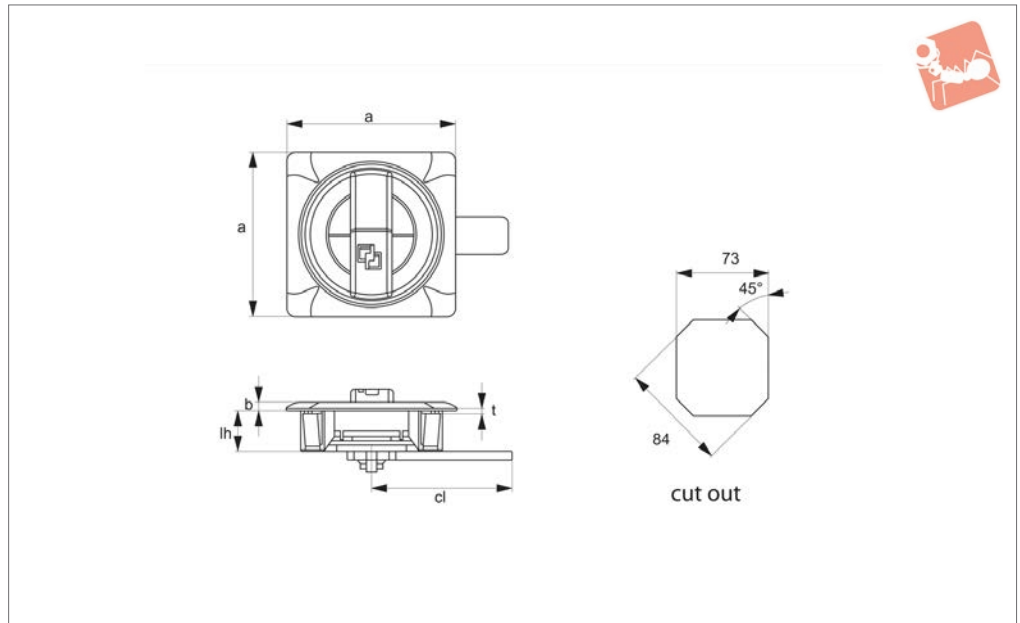
Tips

Easy snap on fix mounting. Make cut out in panel as shown, and simply push in handle, snap on clips will spring back to

Order No.	Key type	a	b	t	cl	lh
B4510.AW0020	Keyed Alike	84	3.3	0,8-2	72	21



B4520



Material

Body: Black plastic (PA6).
Handle: Zinc, black coated.
Supplied: Cam.

Technical Notes

For plain/flush mounted doors, as well as

electrical panels and covers.

securely mount handle.

Tips

Easy snap on fix mounting. Make cut out in panel as shown, and simply push in handle, snap on clips will spring back to

Order No.	Lock type	a	b	t	cl	lh
B4520.AW0120	No lock	85	3.3	0,8-2	72	21



Models available



Cam Latch - Flush T-Handle with rod control for multi-point latching



Cam Latch - Flush T-Handle for single point latching



Cam Latch - Flush T-Handle with adjustable grip



Cam Latch - Concealed T-Handle for electricity panels

Variety of materials

- Steel.
- Stainless steel.
- Aluminium.
- Polyamide.

Actuation/locking method

- Blank, without lock.
- Standard cylinder Lock.
- Padlockable T-Handle actuation.

Features

- Heating & ventilation.
- Generators.
- Compressors.
- Machine covers.

- Electric panels.
- Off-road equipment.
- Industrial transport.
- Special equipment cases.

Applications