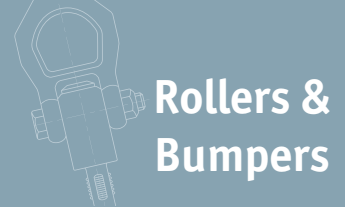
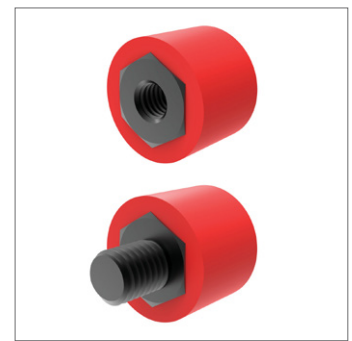
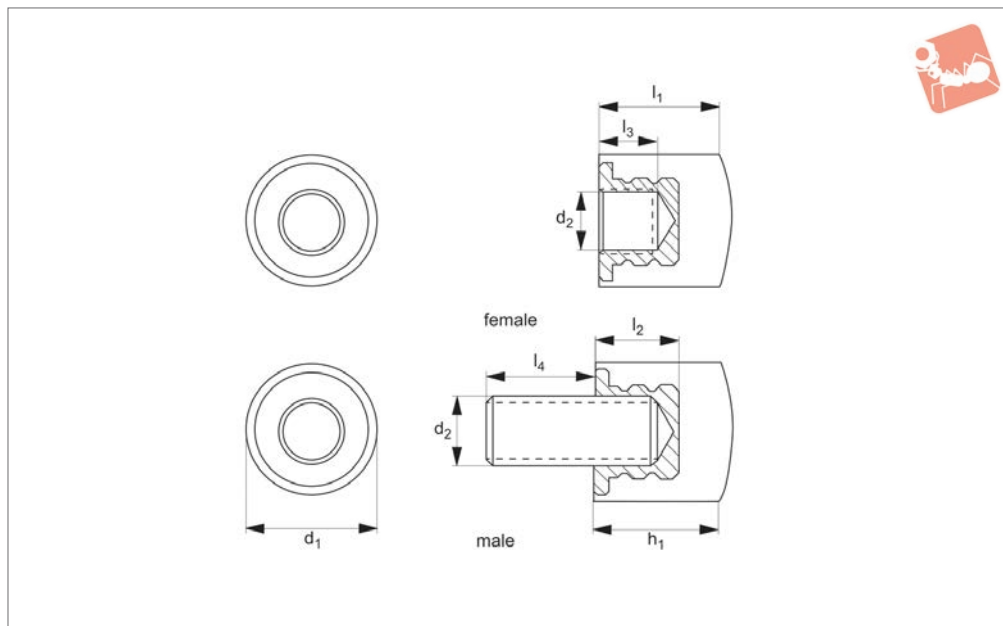




Metric Bumpers - Round male and female



Rollers & Bumpers



60880

ROLLERS & BUMPERS

Material

Black Neoprene: flame and weather resistant. Resists: oil, ozone and gasoline. Temperature resistance: -5°C to +93°C (shortly +120°C).

Urethane: highly abrasion resistant, high strength and load bearing. High elonga-

tion and hardness. Resists ozone and oxygen. Temperature resistance: -18°C to +93°C (shortly +120°C).

Technical Notes

Bumpers are moulded to solid steel cores. They are used to guard, stop, align, posi-

tion, or protect parts through stages of manufacturing.

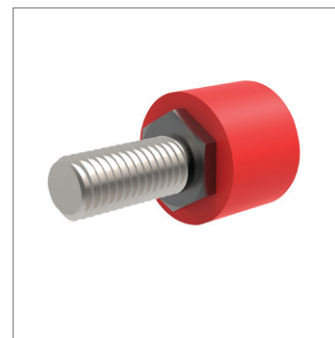
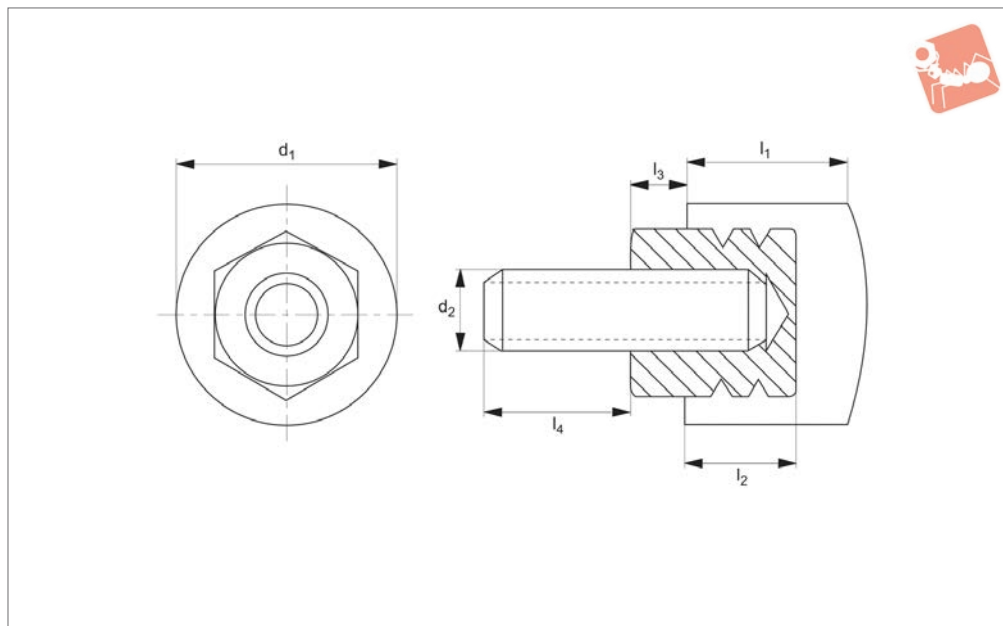
Tips

All dimensions metric.

Order No.	Material	Type	l_1	d_1	d_2	l_2	l_3	l_4	Durometer	Duro. urethane
60880.W0411	Neoprene	Female	16	19	M 6 x 1,00	9.0	6	-	70	80
60880.W0412	Neoprene	Female	16	19	M 8 x 1,25	9.0	6	-	70	80
60880.W0413	Neoprene	Female	32	32	M10 x 1,50	19.0	13	-	40	80
60880.W0414	Neoprene	Female	32	32	M10 x 1,25	19.0	13	-	40	80
60880.W0415	Neoprene	Female	32	32	M12 x 1,75	19.0	13	-	40	80
60880.W0416	Neoprene	Female	32	32	M12 x 1,25	19.0	13	-	40	80
60880.W0417	Neoprene	Female	32	32	M16 x 2,00	19.0	13	-	40	80
60880.W0418	Neoprene	Female	42	45	M16 x 2,00	22.5	16	-	40	80
60880.W0419	Neoprene	Female	57	57	M20 x 2,50	35.0	26	-	40	80
60880.W0420	Neoprene	Female	57	57	M24 x 3,00	35.0	25	-	40	80
60880.W0615	Neoprene	Male	32	32	M10 x 1,50	19.0	-	15	40	80
60880.W0616	Neoprene	Male	32	32	M10 x 1,50	19.0	-	30	40	80
60880.W0617	Neoprene	Male	32	32	M12 x 1,75	19.0	-	15	40	80
60880.W0618	Neoprene	Male	19	32	M12 x 1,75	19.0	-	30	40	80
60880.W0619	Neoprene	Male	32	32	M16 x 2,00	19.0	-	15	40	80
60880.W0620	Neoprene	Male	32	32	M16 x 2,00	19.0	-	30	40	80
60880.W0621	Neoprene	Male	42	45	M16 x 2,00	22.5	-	15	40	80
60880.W0622	Neoprene	Male	42	45	M16 x 2,00	22.5	-	30	40	80
60880.W0451	Urethane	Female	16	19	M 6 x 1,00	9.0	6	-	70	80
60880.W0452	Urethane	Female	16	19	M 8 x 1,25	9.0	6	-	70	80
60880.W0453	Urethane	Female	32	32	M10 x 1,50	19.0	13	-	40	80
60880.W0454	Urethane	Female	32	32	M10 x 1,25	19.0	13	-	40	80
60880.W0455	Urethane	Female	32	32	M12 x 1,75	19.0	13	-	40	80
60880.W0456	Urethane	Female	32	32	M12 x 1,25	19.0	13	-	40	80
60880.W0457	Urethane	Female	32	32	M16 x 2,00	19.0	13	-	40	80
60880.W0458	Urethane	Female	42	45	M16 x 2,00	22.5	16	-	40	80
60880.W0459	Urethane	Female	57	57	M20 x 2,50	35.0	25	-	40	80
60880.W0460	Urethane	Female	57	57	M24 x 3,00	35.0	25	-	40	80
60880.W0635	Urethane	Male	32	32	M10 x 1,50	19.0	-	15	40	80
60880.W0636	Urethane	Male	32	32	M10 x 1,50	19.0	-	30	40	80
60880.W0637	Urethane	Male	32	32	M12 x 1,75	19.0	-	15	40	80



Order No.	Material	Type	l ₁	d ₁	d ₂	l ₂	l ₃	l ₄	Durometer	Duro. urethane
60880.W0638	Urethane	Male	19	32	M12 x 1,75	19.0	-	30	40	80
60880.W0639	Urethane	Male	32	32	M16 x 2,00	19.0	-	15	40	80
60880.W0640	Urethane	Male	32	32	M16 x 2,00	19.0	-	30	40	80
60880.W0641	Urethane	Male	42	45	M16 x 2,00	22.5	-	15	40	80
60880.W0642	Urethane	Male	42	45	M16 x 2,00	22.5	-	30	40	80



60890

ROLLERS & BUMPERS

Material

Black Neoprene: flame and weather resistant. Resists: oil, ozone and gasoline. Temperature resistance: -5°C to +93°C (shortly +120°C).

Urethane: highly abrasion resistant, high strength and load bearing. High elonga-

tion and hardness. Resists ozone and oxygen. Temperature resistance: -18°C to +93°C (shortly +120°C).

Technical Notes

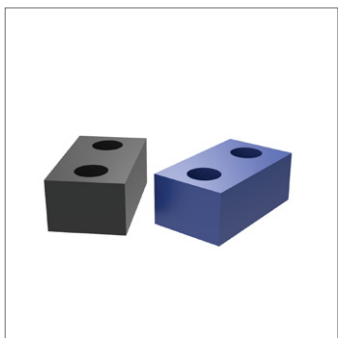
Bumpers are moulded to solid steel cores. They are used to guard, stop, align, posi-

tion, or protect parts through stages of manufacturing.

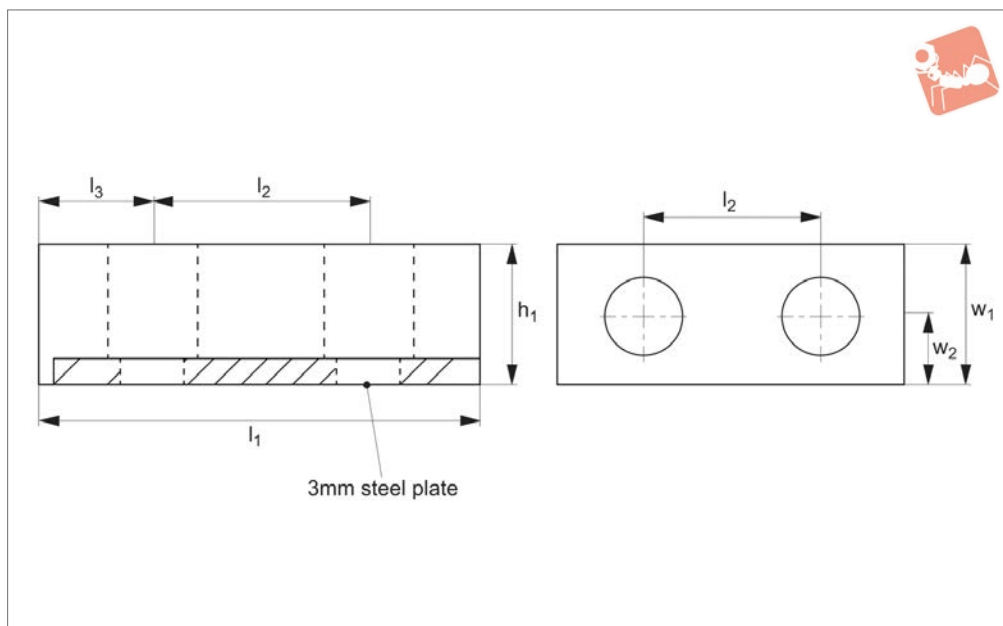
Tips

All dimensions metric.

Order No.	Material	l_1	d_1	d_2	l_2	l_3	l_4
60890.W0501	Neoprene	16	19	M 6 x 1,00	9	3.2	15
60890.W0502	Neoprene	16	19	M 6 x 1,00	9	3.2	30
60890.W0503	Neoprene	16	19	M 8 x 1,25	9	4.0	15
60890.W0504	Neoprene	16	19	M 8 x 1,25	9	4.0	30
60890.W0701	Urethane	16	19	M 6 x 1,00	9	3.2	15
60890.W0702	Urethane	16	19	M 6 x 1,00	9	3.2	30
60890.W0703	Urethane	16	19	M 8 x 1,25	9	4.0	15
60890.W0704	Urethane	16	19	M 8 x 1,25	9	4.0	30



60900



Material

Black Neoprene: flame and weather resistant. Resists: oil, ozone and gasoline. Temperature resistance: -5°C to +93°C (shortly +120°C).

Urethane: highly abrasion resistant, high strength and load bearing. High elonga-

tion and hardness. Resists ozone and oxygen. Temperature resistance: -18°C to +93°C (shortly +120°C).

Technical Notes

Bumpers bonded to steel plate. They are used to guard, stop, align, position, or

protect parts through stages of manufacturing.

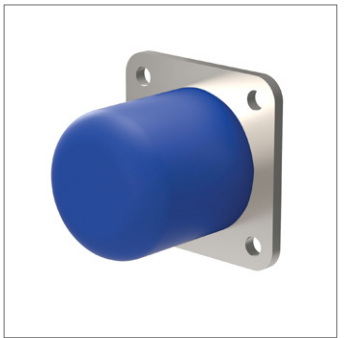
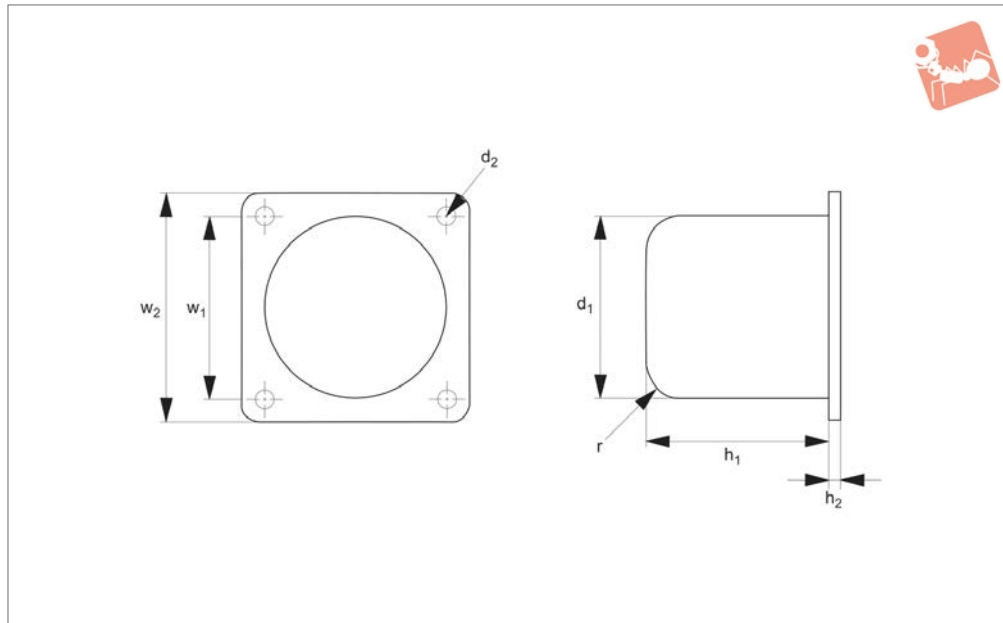
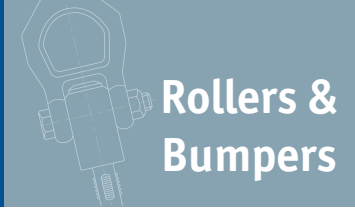
Tips

All dimensions metric. Special cut bumpers available on request.

Order No.	Material	l_1	d_1	h_1	w_1	l_2	l_3	w_2	Duro.	No. of holes
60900.W0510	Neoprene	44.45	6	19.0	25.4	25.4	9.5	12.7	35	2
60900.W0511	Neoprene	19.0	6	16.0	19.0	-	9.5	9.5	80	1
60900.W0512	Neoprene	63.5	6	16.0	16.0	38.1	12.7	7.9	80	2
60900.W0515	Neoprene	44.45	6	19.0	25.4	25.4	9.5	12.7	80	2
60900.W0516	Neoprene	50.8	-	50.8	50.8	-	-	-	80	-
60900.W0701	Urethane	19.0	6	16.0	19.0	-	9.5	9.5	60	1
60900.W0702	Urethane	63.5	6	16.0	16.0	38.1	12.7	7.9	60	2
60900.W0703	Urethane	44.45	6	9.5	25.4	25.4	9.5	12.7	60	2
60900.W0704	Urethane	44.45	6	12.7	25.4	25.4	9.5	12.7	60	2
60900.W0705	Urethane	44.45	6	19.0	25.4	25.4	9.5	12.7	60	2
60900.W0711	Urethane	19.0	6	16.0	19.0	-	9.5	9.5	80	1
60900.W0712	Urethane	63.5	6	16.0	16.0	38.1	12.7	7.9	80	2
60900.W0713	Urethane	44.45	6	9.5	25.4	25.4	9.5	12.7	80	2
60900.W0714	Urethane	44.45	6	12.7	25.4	25.4	9.5	12.7	80	2
60900.W0715	Urethane	44.45	6	19.0	25.4	25.4	9.5	12.7	80	2
60900.W0716	Urethane	50.8	-	50.8	50.8	-	-	-	80	-



Metric Bumpers - Round with steel plates



60910

ROLLERS & BUMPERS

Material

Urethane: highly abrasion resistant, high strength and load bearing. High elongation and hardness. Resists ozone and oxygen. Temperature resistance: -18°C to

+93°C (shortly +120°C).

steel plate.

Technical Notes

Used for stops, guides, bumpers and protection. Moulded urethane bonded to

Tips

All dimensions metric.

Order No.	d ₁	h ₁	w ₁	d ₂	l ₂	w ₂	R	Durometer
60910.W0701	50.8	50.8	50.8	7.13	4.76	63.50	9.53	60
60910.W0702	63.5	63.5	63.5	7.13	4.76	82.55	12.70	60
60910.W0703	76.2	76.2	76.2	10.31	6.35	101.60	15.88	60
60910.W0704	101.6	101.6	101.6	10.31	6.35	127.00	19.05	60
60910.W0711	50.8	50.8	50.8	7.13	4.76	63.50	9.53	80
60910.W0712	63.5	63.5	63.5	7.13	4.76	82.55	12.70	80
60910.W0713	76.2	76.2	76.2	10.31	6.35	101.60	15.88	80
60910.W0714	101.6	101.6	101.6	10.31	6.35	127.00	19.05	80



Wixroyd Rollers

Product overview



Solid rollers - have a smooth surface and a solid body

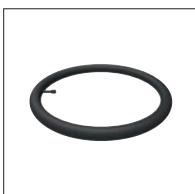


Durasoft rollers - have a smooth contact surface with teardrop holes to allow greater roller compression under load.



Finned rollers - are grooved and provide self-cleaning as dirt, debris and liquid pass under the contact surface of the roller.

Durability levels



20 durometer:
Stiff foam rubber



35 durometer:
Pencil rubber top



60 durometer:
Car tyre

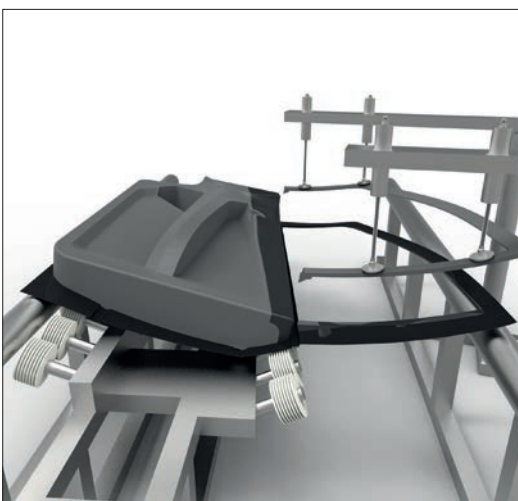


80 durometer:
Skateboard wheel



90 durometer:
Hockey puck

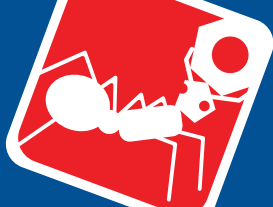
Applications



Rollers are used in car manufacturing to guide and align doors during bonding and curing applications



Bumpers have found their way into commercial exercise equipment to provide protection and stability during use.



Materials colour guide and properties

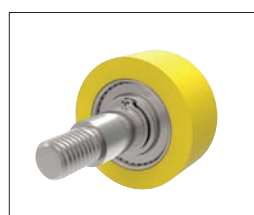


Nitrile - one colour



Neoprene - one colour

Nitrile and neoprene



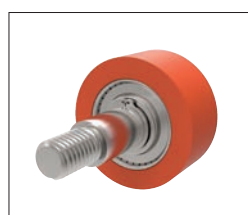
35 Durometer (Yellow)



60 Durometer (Blue)



80 Durometer (Red)



95 Durometer (Orange)

Urethane

Base Elastomer	Chemical Name	Advantages	Disadvantages	Max. Temp	Min. Temp
Nitrile	Nitrile Butadiene	Resistant to petroleum, oil, alcohol & abrasion.	Affected by degreaser solvents.	Continuous 79°C Intermittent 107°C	-51°C
Neoprene	Chloroprene	Flame and weather resistant. Resistant to Petroleum, oil, ozone & high temp.	Affected by phosphate hydraulic fluids, aromatic hydrocarbons.	Continuous 93°C Intermittent 121°C	-40°C
Urethane	Di-Isocyanate Polyurethane	Highest abrasion resistance, strength & load bearing. High elongation, hardness. Resistance to Ozone & Oxygen.	Affected by ether, esters, acid, aromatics, alkalis.	Continuous 93°C Intermittent 121°C	-54°C

Material properties

Property:	Nitrile	Neoprene	Urethane
Tensile Strength	✓ ✓	✓ ✓ ✓	✓ ✓ ✓ ✓
Ozone Resistance	✓	✓ ✓	✓ ✓ ✓ ✓
Cut Resistance	✓ ✓	✓ ✓ ✓	✓ ✓ ✓ ✓
Abrasion Resistance	✓ ✓	✓ ✓ ✓	✓ ✓ ✓ ✓
Resistance To:	Nitrile	Neoprene	Urethane
Compression Set	✓ ✓	✓ ✓ ✓	✓ ✓ ✓
ASTM #1 Oil	✓ ✓ ✓ ✓	✓ ✓	✓ ✓ ✓ ✓
ASTM #2 Oil	✓ ✓ ✓ ✓	✓ ✓	✓ ✓ ✓ ✓
Reference Fuel B	✓ ✓ ✓	✓ ✓	✓ ✓ ✓ ✓
Ketones: MEK	✓	✓ ✓	✓
Aromatics: Toluene	✓ ✓ ✓	✓	✓ ✓ ✓ ✓
Aliphatics: Hexane	✓ ✓ ✓ ✓	✓ ✓ ✓	✓ ✓ ✓ ✓
Ethyl Acetate	✓	✓ ✓ ✓	✓
Cellosolve	✓ ✓	✓ ✓ ✓ ✓	✓
Methylene Chloride	✓	✓	✓ ✓ ✓ ✓
Trichloroethylene	✓	✓	✓ ✓ ✓ ✓
Diethylene Glycol	✓ ✓ ✓ ✓	✓ ✓ ✓ ✓	✓ ✓ ✓
Isopropyl Alcohol	✓ ✓ ✓	✓ ✓ ✓	✓ ✓ ✓
Caustics: 10% NaOH	✓ ✓ ✓	✓ ✓ ✓	✓
Acids: H2SO4	✓ ✓	✓ ✓ ✓	✓
Excellent	✓ ✓ ✓ ✓	Good ✓ ✓ ✓	Fair ✓ ✓
Poor			✓

ROLLERS & BUMPERS

ov-W60620-AP2750-T-W60910-A-T-b-rmh-Updated -28-10-2022



The tables below show the maximum theoretical radius loads that can be applied to the respective bearings. Refer to individual product tables to identify bearing type supplied with roller.

Standard bearings

Bearing Type	Inside diameter (inches)	Outside diameter (inches)	Width (inches)	Load (Kg)	Speed (rpm)
A - Standard Double	.313/.317	.870/.875	.498/.502	55	50
				36	100
				24	250
				20	500
B - Standard Single	.500/.505	1.245/1.250	.370/.380	119	50
				79	100
				51	250
				47	500
C - Standard Double	.500/.505	1.245/1.250	.745/.755	192	50
				128	100
				83	250
				70	500

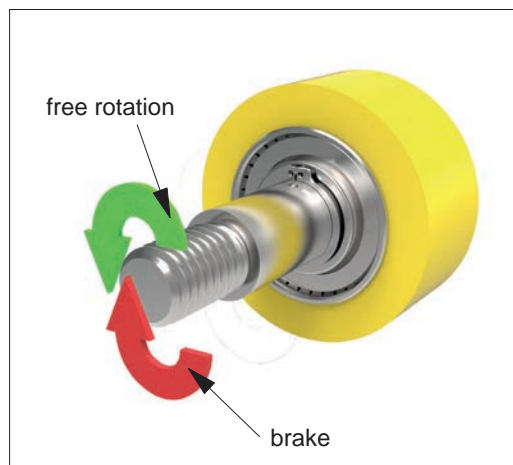
With the calculations above, typical life is approximately 2500 hours.

Clutch bearings

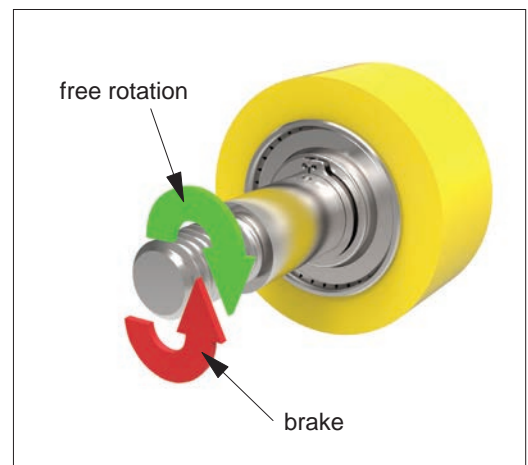
Bearing Type	Inside diameter (inches)	Outside diameter (inches)	Width (inches)	Load (Kg)	Speed (rpm)
H	.3745/.3750	.6245/.6255	.865/.875	167	33
				146	50
				116	100
				85	250
I	.6245/.6250	.8745/.8755	.990/1.000	277	33
				242	50
				192	100
				142	250

With the calculations above, typical life is approximately 1,000,000 revolutions or 500 hours. The bearings are shielded and pre-lubricated for life with grease.

A clutch roller can only be used in one direction, as shown. See data table for clutch direction of particular part.



Left clutch bearing



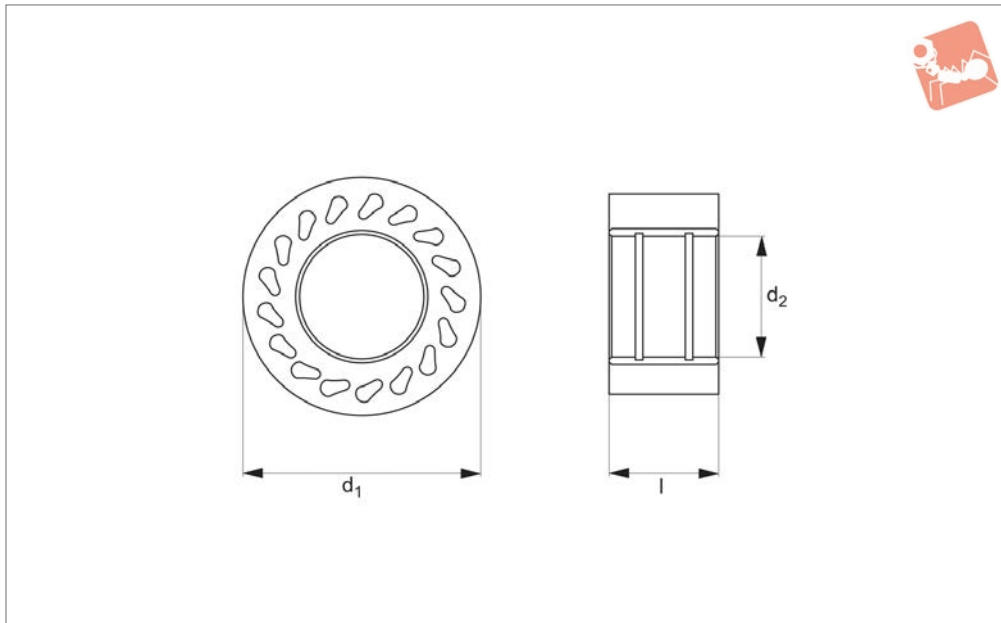
Right clutch bearing



Durasoft Roller

roller only

Rollers & Bumpers



60640

ROLLERS & BUMPERS

Material

Urethane bonded to a steel insert. Hardness from 35-95 durometer (Shore A).

Tips

Durasoft rollers have „teardrop“ holes to allow the roller to flex for firm but non-damaging contact.

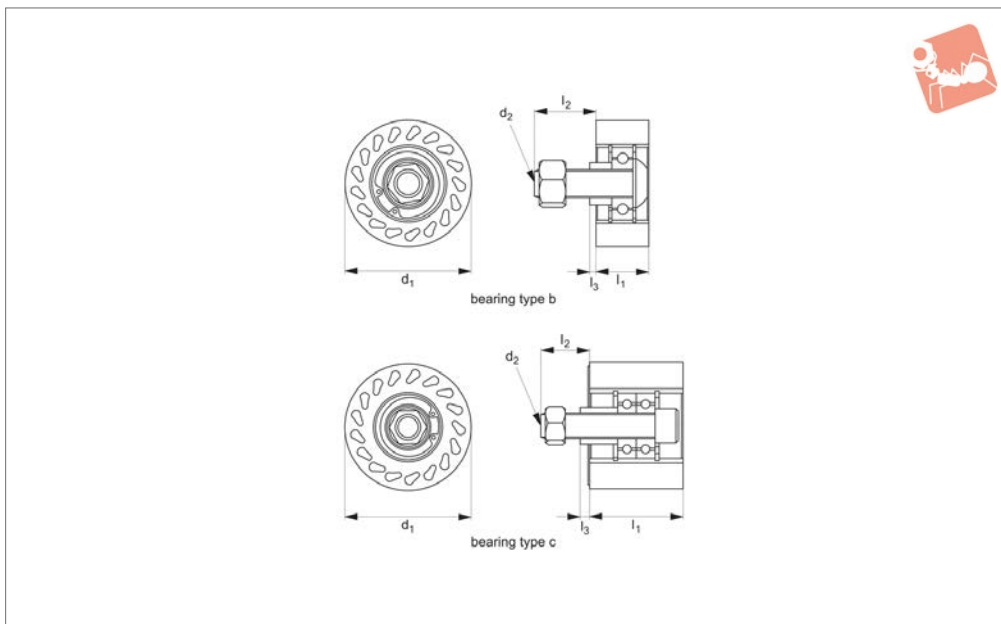
Technical Notes

Roller only - allows for custom mounting.

Order No.	Durometer	d ₁	l	d ₂ min. max.
60640.W1003	35	63,5 (2,5")	23.37	28,58/28,65
60640.W1006	60	63,5 (2,5")	23.37	28,58/28,65
60640.W1008	80	63,5 (2,5")	23.37	28,58/28,65
60640.W1009	95	63,5 (2,5")	23.37	28,58/28,68
60640.W1013	35	63,5 (2,5")	49.28	31,80/31,90
60640.W1016	60	63,5 (2,5")	49.28	31,80/31,90
60640.W1018	80	63,5 (2,5")	49.28	31,80/31,90
60640.W1019	95	63,5 (2,5")	49.28	31,80/31,90
60640.W1023	35	101,6 (4")	23.37	31,80/31,90
60640.W1026	60	101,6 (4")	23.37	31,80/31,90
60640.W1028	80	101,6 (4")	23.37	31,80/31,90
60640.W1029	95	101,6 (4")	23.37	31,80/31,90
60640.W1033	35	101,6 (4")	49.28	31,80/31,90
60640.W1036	60	101,6 (4")	49.28	31,80/31,90
60640.W1038	80	101,6 (4")	49.28	31,80/31,90
60640.W1039	95	101,6 (4")	49.28	31,80/31,90



60644



Material

Urethane bonded to a steel insert. Hardness from 35-80 durometer (Shore A).

rings). For more details on bearings please see technical pages. Assembled with socket head cap screw, spacer and lock nut.

allow the roller to flex for firm but non-damaging contact.

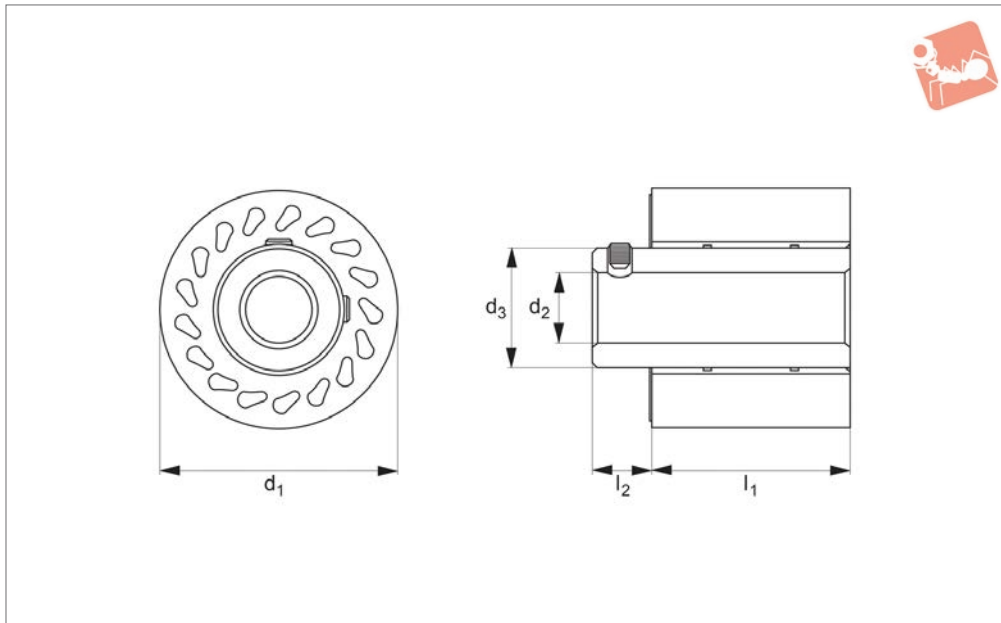
Technical Notes

Bearings included (held in place with snap

Tips

Durasoft rollers have „teardrop“ holes to

Order No.	Durometer	d ₁	l ₁	d ₂	l ₂	l ₃	Bearing type
60644.W1003	35	62,5 (2,5")	23.37	1/2-13	27.94	3.05	B
60644.W1006	60	62,5 (2,5")	23.37	1/2-13	27.94	3.05	B
60644.W1008	80	62,5 (2,5")	23.37	1/2-13	27.94	3.05	B
60644.W1013	35	62,5 (2,5")	49.28	1/2-13	35.81	6.35	C
60644.W1016	60	62,5 (2,5")	49.28	1/2-13	35.81	6.35	C
60644.W1018	80	62,5 (2,5")	49.28	1/2-13	35.81	6.35	C
60644.W1023	35	101,6 (4")	23.37	1/2-13	27.94	3.05	B
60644.W1026	60	101,6 (4")	23.37	1/2-13	27.94	3.05	B
60644.W1028	80	101,6 (4")	23.37	1/2-13	27.94	3.05	B
60644.W1033	35	101,6 (4")	49.28	1/2-13	35.81	6.35	C
60644.W1036	60	101,6 (4")	49.28	1/2-13	35.81	6.35	C
60644.W1038	80	101,6 (4")	49.28	1/2-13	35.81	6.35	C



60646

ROLLERS & BUMPERS

Material

Urethane bonded to a steel insert. Hardness from 35-80 durometer (Shore A).

Technical Notes

Designed to be mounted onto a shaft. A

hub extends past the roller and is supplied with two set screws at 90°.

damaging contact.

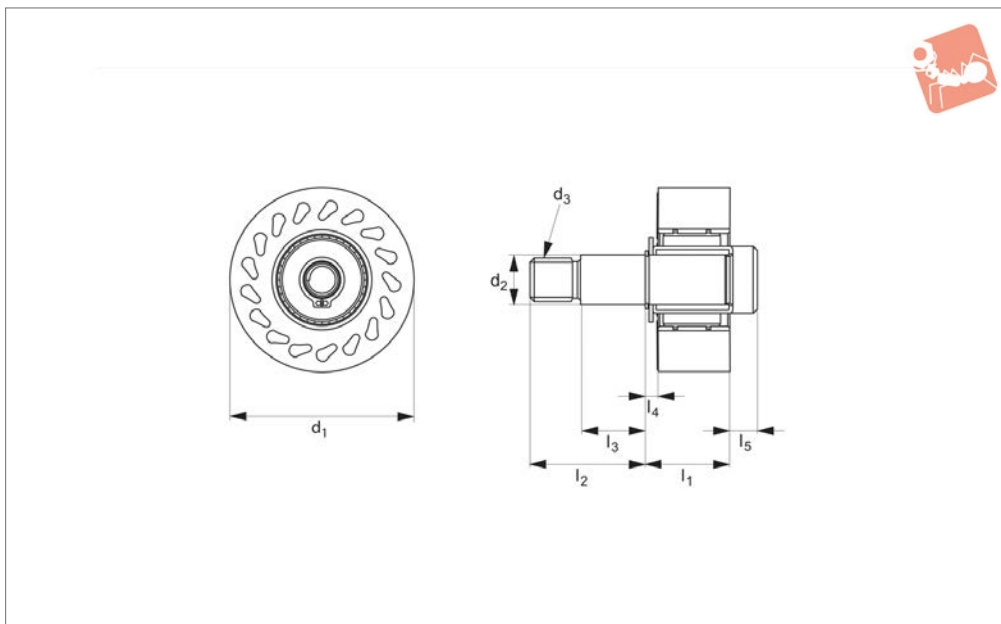
Tips

Durasoft rollers have „teardrop“ holes to allow the roller to flex for firm but non-

Order No.	Durometer	d ₁	l ₁	d ₂ min. max.	l ₂	d ₃
60646.W1003	35	63,5 (2,5")	23.37	12,73/12,83	12.7	31.75
60646.W1006	60	63,5 (2,5")	23.37	12,73/12,83	12.7	31.75
60646.W1008	80	63,5 (2,5")	23.37	12,73/12,83	12.7	31.75
60646.W1009	95	63,5 (2,5")	23.37	12,73/12,83	12.7	31.75
60646.W1013	35	63,5 (2,5")	23.37	15,90/16,03	12.7	31.75
60646.W1016	60	63,5 (2,5")	23.37	15,90/16,03	12.7	31.75
60646.W1018	80	63,5 (2,5")	23.37	15,90/16,03	12.7	31.75
60646.W1019	95	63,5 (2,5")	23.37	15,90/16,03	12.7	31.75
60646.W1023	35	63,5 (2,5")	23.27	19,08/19,20	12.7	31.75
60646.W1026	60	63,5 (2,5")	23.27	19,08/19,20	12.7	31.75
60646.W1028	80	63,5 (2,5")	23.27	19,08/19,20	12.7	31.75
60646.W1029	95	63,5 (2,5")	23.27	19,08/19,20	12.7	31.75



60648



Material

Urethane bonded to a steel insert. Hardness from 35-80 durometer (Shore A).

Technical Notes

A clutch bearing allows the roller to turn in only one direction. Available in left or right

hand rotation (with the stud pointed upwards, a right hand rotation turns clockwise).

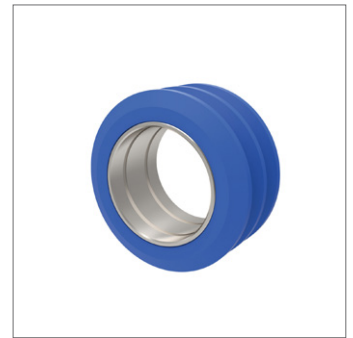
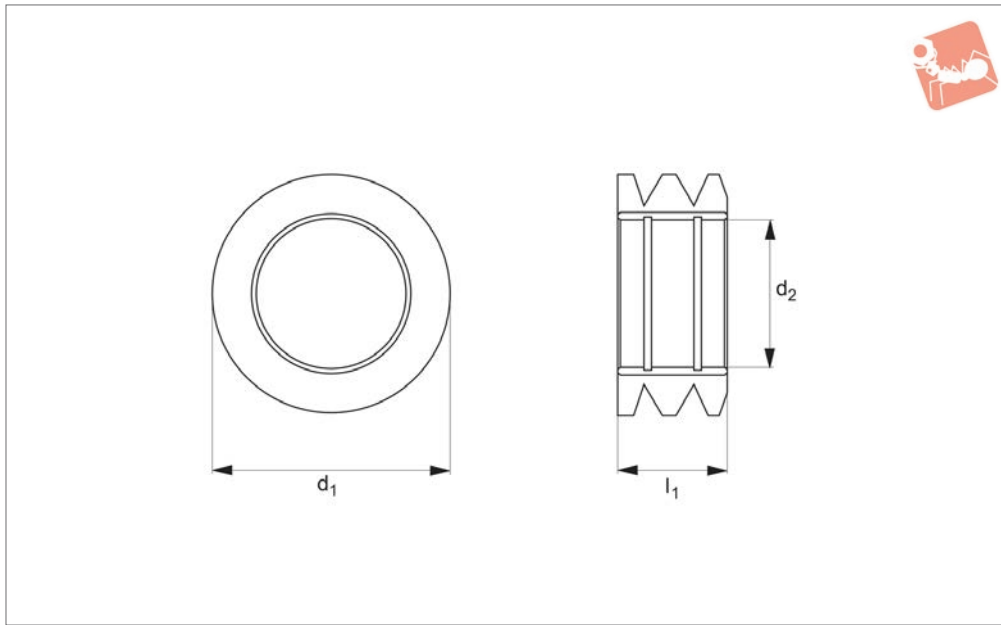
Type R= right hand clutch bearing.

Type L= left hand clutch bearing.

Tips

Durasoft rollers have „teardrop“ holes to allow the roller to flex for firm but non-damaging contact. All clutch bearing are type I. Please see technical page for more information on the bearing.

Order No.	Type	Durometer	d ₁	l ₁	d ₂ min./max.	l ₂	d ₃	l ₃	l ₄	l ₅
60648.W1003	R	35	63,50 (2,5")	23.37	15,77/15,82	45.47	1/2-13"	26.42	3.05	10.41
60648.W1006	R	60	63,50 (2,5")	23.37	15,77/15,82	45.47	1/2-13"	26.42	3.05	10.41
60648.W1008	R	80	63,50 (2,5")	23.37	15,77/15,82	45.47	1/2-13"	26.42	3.05	10.41
60648.W1013	L	35	63,50 (2,5")	23.37	15,77/15,82	45.47	1/2-13"	26.42	3.05	10.41
60648.W1016	L	60	63,50 (2,5")	23.37	15,77/15,82	45.47	1/2-13"	26.42	3.05	10.41
60648.W1018	L	80	63,50 (2,5")	23.37	15,77/15,82	45.47	1/2-13"	26.42	3.05	10.41
60648.W1023	R	35	63,50 (2,5")	49.28	15,77/15,82	31.75	1/2-13"	12.70	10.92	-
60648.W1026	R	60	63,50 (2,5")	49.28	15,77/15,82	31.75	1/2-13"	12.70	10.92	-
60648.W1028	R	80	63,50 (2,5")	49.28	15,77/15,82	31.75	1/2-13"	12.70	10.92	-
60648.W1033	L	35	63,50 (2,5")	49.28	15,77/15,82	31.75	1/2-13"	12.70	10.92	-
60648.W1036	L	60	63,50 (2,5")	49.28	15,77/15,82	31.75	1/2-13"	12.70	10.92	-
60648.W1038	L	80	63,50 (2,5")	49.28	15,77/15,82	31.75	1/2-13"	12.70	10.92	-
60648.W1043	R	35	101,60 (4")	23.37	15,77/15,82	45.47	1/2-13"	26.42	3.05	10.41
60648.W1046	R	60	101,60 (4")	23.37	15,77/15,82	45.47	1/2-13"	26.42	3.05	10.41
60648.W1048	R	80	101,60 (4")	23.37	15,77/15,82	45.47	1/2-13"	26.42	3.05	10.41
60648.W1053	L	35	101,60 (4")	23.37	15,77/15,82	45.47	1/2-13"	26.42	3.05	10.41
60648.W1056	L	60	101,60 (4")	23.37	15,77/15,82	45.47	1/2-13"	26.42	3.05	10.41
60648.W1058	L	80	101,60 (4")	23.37	15,77/15,82	45.47	1/2-13"	26.42	3.05	10.41
60648.W1063	R	35	101,60 (4")	49.28	15,77/15,82	31.75	1/2-13"	12.70	10.92	-
60648.W1066	R	60	101,60 (4")	49.28	15,77/15,82	31.75	1/2-13"	12.70	10.92	-
60648.W1068	R	80	101,60 (4")	49.28	15,77/15,82	31.75	1/2-13"	12.70	10.92	-
60648.W1073	L	35	101,60 (4")	49.28	15,77/15,82	31.75	1/2-13"	12.70	10.92	-
60648.W1076	L	60	101,60 (4")	49.28	15,77/15,82	31.75	1/2-13"	12.70	10.92	-
60648.W1078	L	80	101,60 (4")	49.28	15,77/15,82	31.75	1/2-13"	12.70	10.92	-



60680

ROLLERS & BUMPERS

Material

Nitrile, urethane or neoprene bonded to a steel insert. Hardness from 20-60 durometer (Shore A).

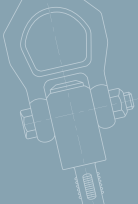
Tips

Finned rollers have grooves on the surface, creating less surface contact with the workpiece, and allowing dirt, debris and liquid to pass.

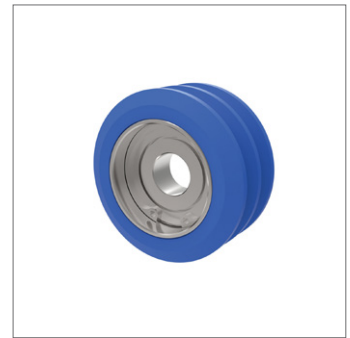
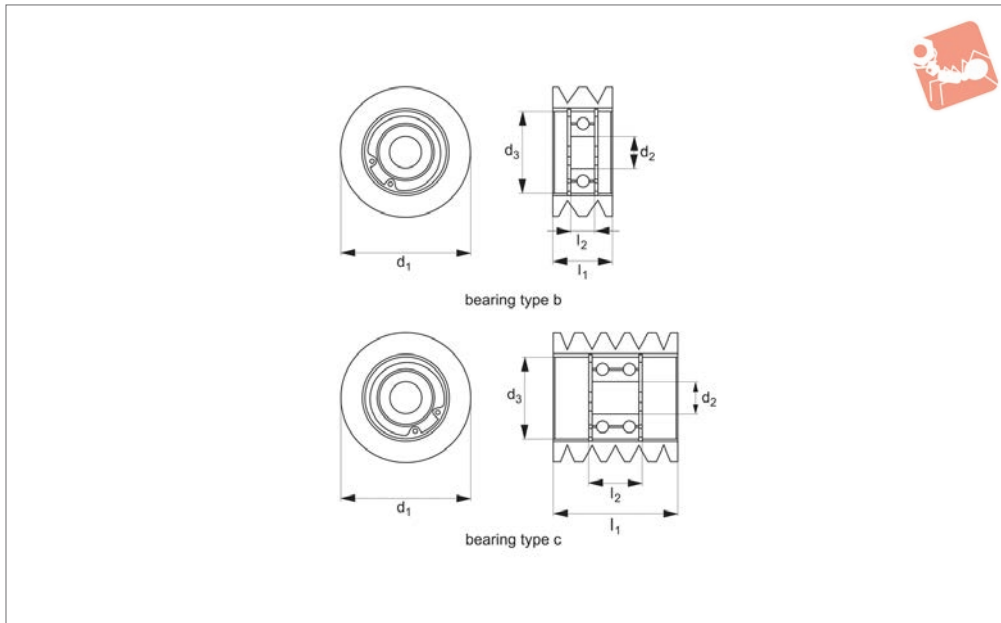
Technical Notes

Roller only - allows for custom mounting.

Order No.	Material	Durometer	d ₁	l ₁	d ₂ min. max.	No. of fins
60680.W1002	Nitrile	20	50,8 (2")	23.37	28,58/28,65	3
60680.W1003	Nitrile	35	50,8 (2")	23.37	28,58/28,65	3
60680.W1006	Nitrile	60	50,8 (2")	23.37	28,58/28,65	3
60680.W1012	Nitrile	20	50,8 (2")	23.37	28,58/28,65	3
60680.W1013	Nitrile	35	50,8 (2")	23.37	28,58/28,65	3
60680.W1016	Nitrile	60	50,8 (2")	23.37	28,58/28,65	3
60680.W1022	Nitrile	20	50,8 (2")	23.37	28,58/28,65	3
60680.W1023	Nitrile	35	50,8 (2")	23.37	28,58/28,65	3
60680.W1026	Nitrile	60	50,8 (2")	23.37	31,80/31,90	3
60680.W1032	Nitrile	20	50,8 (2")	23.37	31,80/31,90	3
60680.W1033	Nitrile	35	50,8 (2")	23.37	31,80/31,90	3
60680.W1036	Nitrile	60	50,8 (2")	23.37	31,80/31,90	3
60680.W1042	Nitrile	20	50,8 (2")	23.37	31,80/31,90	3
60680.W1043	Nitrile	35	50,8 (2")	23.37	31,80/31,90	3
60680.W1046	Nitrile	60	50,8 (2")	23.37	31,80/31,90	3
60680.W1052	Nitrile	20	50,8 (2")	23.37	31,80/31,90	3
60680.W1053	Nitrile	35	50,8 (2")	49.28	28,58/28,65	6
60680.W1056	Nitrile	60	50,8 (2")	49.28	28,58/28,65	6
60680.W1062	Nitrile	20	50,8 (2")	49.28	28,58/28,65	6
60680.W1063	Nitrile	35	50,8 (2")	49.28	28,58/28,65	6
60680.W1066	Nitrile	60	50,8 (2")	49.28	28,58/28,65	6
60680.W1072	Nitrile	20	50,8 (2")	49.28	28,58/28,65	6
60680.W1073	Nitrile	35	50,8 (2")	49.28	28,58/28,65	6
60680.W1076	Nitrile	60	50,8 (2")	49.28	28,58/28,65	6
60680.W1083	Nitrile	35	50,8 (2")	49.28	31,80/31,90	6
60680.W1086	Nitrile	60	50,8 (2")	49.28	31,80/31,90	6
60680.W1093	Nitrile	35	50,8 (2")	49.28	31,80/31,90	6
60680.W1096	Nitrile	60	50,8 (2")	49.28	31,80/31,90	6
60680.W2003	Urethane	35	50,8 (2")	49.28	31,80/31,90	6
60680.W2006	Urethane	60	50,8 (2")	49.28	31,80/31,90	6
60680.W2013	Urethane	35	50,8 (2")	49.28	31,80/31,90	6



Order No.	Material	Durometer	d ₁	l ₁	d ₂ min./max.	No. of fins
60680.W2016	Urethane	60	50,8 (2")	49.28	31,80/31,90	6
60680.W2023	Urethane	35	50,8 (2")	23.37	28,58/28,65	3
60680.W2026	Urethane	60	50,8 (2")	23.37	28,58/28,65	3
60680.W2033	Urethane	35	50,8 (2")	23.37	28,58/28,65	3
60680.W2036	Urethane	60	50,8 (2")	23.37	28,58/28,65	3
60680.W2043	Urethane	35	50,8 (2")	23.37	28,58/28,65	3
60680.W2046	Urethane	60	50,8 (2")	23.37	28,58/28,65	3
60680.W2053	Urethane	35	50,8 (2")	23.37	28,58/28,65	3
60680.W2056	Urethane	60	50,8 (2")	23.37	28,58/28,65	3
60680.W2063	Urethane	35	63,5 (2,5")	23.37	31,80/31,90	3
60680.W2066	Urethane	60	63,5 (2,5")	23.37	31,80/31,90	3
60680.W2073	Urethane	35	63,5 (2,5")	23.37	31,80/31,90	3
60680.W2076	Urethane	60	63,5 (2,5")	23.37	31,80/31,90	3
60680.W2083	Urethane	35	63,5 (2,5")	23.37	31,80/31,90	3
60680.W2086	Urethane	60	63,5 (2,5")	23.37	31,80/31,90	3
60680.W2093	Urethane	35	63,5 (2,5")	23.37	31,80/31,90	3
60680.W2096	Urethane	60	63,5 (2,5")	23.37	31,80/31,90	3
60680.W3002	Neoprene	20	63,5 (2,5")	49.28	28,58/28,65	6
60680.W3003	Neoprene	35	63,5 (2,5")	49.28	28,58/28,65	6
60680.W3006	Neoprene	60	63,5 (2,5")	49.28	28,58/28,65	6
60680.W3012	Neoprene	20	63,5 (2,5")	49.28	28,58/28,65	6
60680.W3013	Neoprene	35	63,5 (2,5")	49.28	28,58/28,65	6
60680.W3016	Neoprene	60	63,5 (2,5")	49.28	28,58/28,65	6
60680.W3022	Neoprene	20	63,5 (2,5")	49.28	28,58/28,65	6
60680.W3023	Neoprene	35	63,5 (2,5")	49.28	28,58/28,65	6
60680.W3026	Neoprene	60	63,5 (2,5")	49.28	31,80/31,90	6
60680.W3032	Neoprene	20	63,5 (2,5")	49.28	31,80/31,90	6
60680.W3033	Neoprene	35	63,5 (2,5")	49.28	31,80/31,90	6
60680.W3036	Neoprene	60	63,5 (2,5")	49.28	31,80/31,90	6
60680.W3042	Neoprene	20	63,5 (2,5")	49.28	31,80/31,90	6
60680.W3043	Neoprene	35	63,5 (2,5")	49.28	31,80/31,90	6
60680.W3046	Neoprene	60	63,5 (2,5")	49.28	31,80/31,90	6
60680.W3052	Neoprene	20	63,5 (2,5")	49.28	31,80/31,90	6
60680.W3053	Neoprene	35	101,6 (4")	49.28	28,58/28,65	8
60680.W3056	Neoprene	60	101,6 (4")	49.28	28,58/28,65	8
60680.W3062	Neoprene	20	101,6 (4")	49.28	28,58/28,65	8
60680.W3063	Neoprene	35	101,6 (4")	49.28	28,58/28,65	8
60680.W3066	Neoprene	60	101,6 (4")	49.28	28,58/28,65	8
60680.W3072	Neoprene	20	101,6 (4")	49.28	28,58/28,65	8
60680.W3073	Neoprene	35	101,6 (4")	49.28	31,80/31,90	8
60680.W3076	Neoprene	60	101,6 (4")	49.28	31,80/31,90	8
60680.W3083	Neoprene	35	101,6 (4")	49.28	31,80/31,90	8
60680.W3086	Neoprene	60	101,6 (4")	49.28	31,80/31,90	8
60680.W3093	Neoprene	35	101,6 (4")	49.28	31,80/31,90	8
60680.W3096	Neoprene	60	101,6 (4")	49.28	31,80/31,90	8



60682

ROLLERS & BUMPERS

Material

Nitrile, urethane or neoprene bonded to a steel insert. Hardness from 20-60 durometer (Shore A).

Technical Notes

Bearings included (held in place with snap

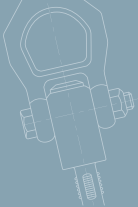
rings). For more details on bearings please see technical pages.

liquid to pass.

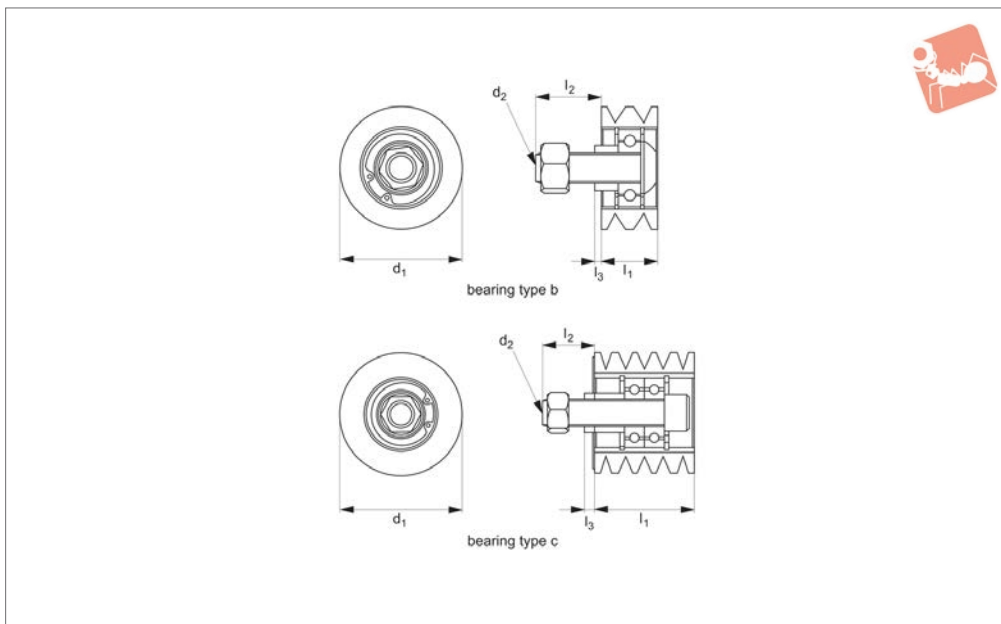
Tips

Finned rollers have grooves on the surface, creating less surface contact with the workpiece, and allowing dirt, debris and

Order No.	Material	Durometer	Bearing type	d ₁	l ₁	d ₂ -0 +0.13	d ₃ -0 +0.13	l ₂ -0 +0.13	No. of fins
60682.W1002	Nitrile	20	B	50,8 (2")	23.37	12.7	31.62	9.40	3
60682.W1003	Nitrile	35	B	50,8 (2")	23.37	12.7	31.62	9.40	3
60682.W1006	Nitrile	60	B	50,8 (2")	23.37	12.7	31.62	9.40	3
60682.W1012	Nitrile	20	C	50,8 (2")	49.28	12.7	31.62	18.92	6
60682.W1013	Nitrile	35	C	50,8 (2")	49.28	12.7	31.62	18.92	6
60682.W1016	Nitrile	60	C	50,8 (2")	49.28	12.7	31.62	18.92	6
60682.W1022	Nitrile	20	B	63,5 (2,5")	23.37	12.7	31.62	9.40	3
60682.W1023	Nitrile	35	B	63,5 (2,5")	23.37	12.7	31.62	9.40	3
60682.W1026	Nitrile	60	B	63,5 (2,5")	23.37	12.7	31.62	9.40	3
60682.W2003	Urethane	35	B	50,8 (2")	23.37	12.7	31.62	9.40	3
60682.W2006	Urethane	60	B	50,8 (2")	23.37	12.7	31.62	9.40	3
60682.W2013	Urethane	35	C	50,8 (2")	49.28	12.7	31.62	18.92	6
60682.W2016	Urethane	60	C	50,8 (2")	49.28	12.7	31.62	18.92	6
60682.W2023	Urethane	35	B	63,5 (2,5")	23.37	12.7	31.62	9.40	3
60682.W2026	Urethane	60	B	63,5 (2,5")	23.37	12.7	31.62	9.40	3
60682.W3002	Neoprene	20	B	50,8 (2")	23.37	12.7	31.62	9.40	3
60682.W3003	Neoprene	35	B	50,8 (2")	23.37	12.7	31.62	9.40	3
60682.W3006	Neoprene	60	B	50,8 (2")	23.37	12.7	31.62	9.40	3
60682.W3012	Neoprene	20	C	50,8 (2")	49.28	12.7	31.62	18.92	6
60682.W3013	Neoprene	35	C	50,8 (2")	49.28	12.7	31.62	18.92	6
60682.W3016	Neoprene	60	C	50,8 (2")	49.28	12.7	31.62	18.92	6
60682.W3022	Neoprene	20	B	63,5 (2,5")	23.37	12.7	31.62	9.40	3
60682.W3023	Neoprene	35	B	63,5 (2,5")	23.37	12.7	31.62	9.40	3
60682.W3026	Neoprene	60	B	63,5 (2,5")	23.37	12.7	31.62	9.40	3



60684



Material

Nitrile, urethane or neoprene bonded to a steel insert. Hardness from 20-60 durometer (Shore A).

rings). For more details on bearings please see technical pages. Assembled with socket head cap screw, spacer and lock nut.

workpiece, and allowing dirt, debris and liquid to pass.

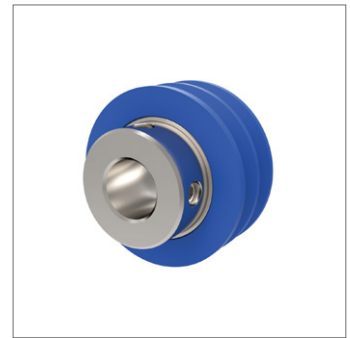
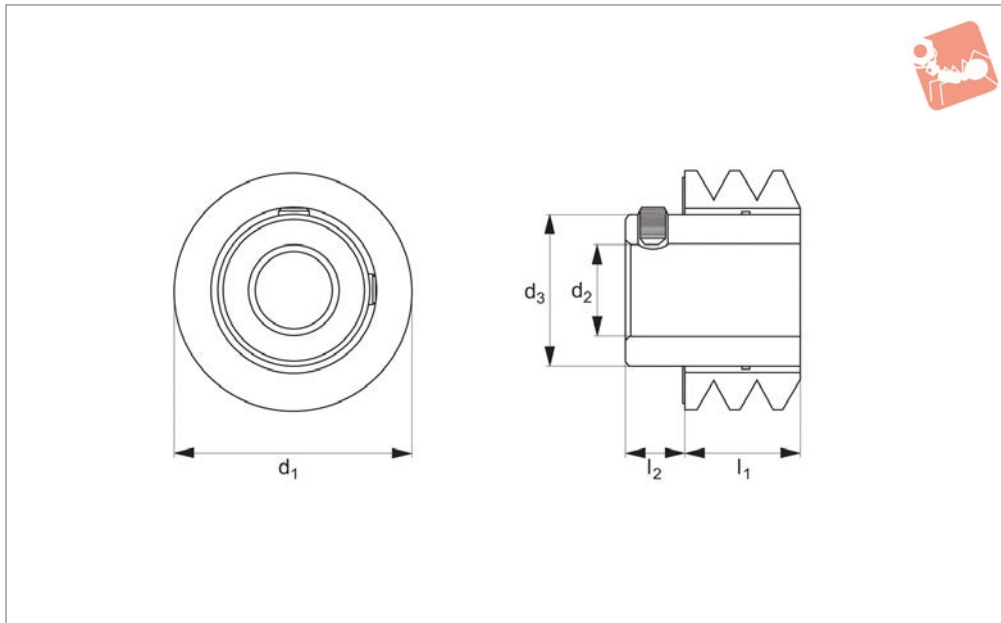
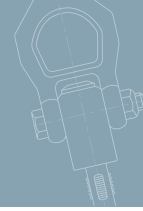
Technical Notes

Bearings included (held in place with snap

Tips

Finned rollers have grooves on the surface, creating less surface contact with the

Order No.	Material	Duro.	Bearing type	d_1	l_1	d_2	l_2	l_3	No. of bearings	No. of fins
60684.W1002	Nitrile	20	B	50,8 (2")	23.37	41306	27.94	3.05	1	3
60684.W1003	Nitrile	35	B	50,8 (2")	23.37	41306	27.94	3.05	1	3
60684.W1006	Nitrile	60	B	50,8 (2")	23.37	41306	27.94	3.05	1	3
60684.W1012	Nitrile	20	C	50,8 (2")	49.27	41306	35.81	6.35	1	6
60684.W1013	Nitrile	35	C	50,8 (2")	49.27	41306	35.81	6.35	1	6
60684.W1016	Nitrile	60	C	50,8 (2")	49.27	41306	35.81	6.35	1	6
60684.W1022	Nitrile	20	B	63,5 (2")	49.27	41306	27.94	3.05	1	3
60684.W1023	Nitrile	35	B	50,8 (2")	49.27	41306	27.94	3.05	1	3
60684.W1026	Nitrile	60	B	50,8 (2")	49.27	41306	27.94	3.05	1	3
60684.W2003	Urethane	35	B	50,8 (2")	23.37	41306	27.94	3.05	1	3
60684.W2006	Urethane	60	B	50,8 (2")	23.37	41306	27.94	3.05	1	3
60684.W2013	Urethane	35	C	50,8 (2")	49.27	41306	35.81	6.35	1	6
60684.W2016	Urethane	60	C	50,8 (2")	49.27	41306	35.81	6.35	1	6
60684.W2023	Urethane	35	B	50,8 (2")	49.27	41306	27.94	3.05	1	3
60684.W2026	Urethane	60	B	50,8 (2")	49.27	41306	27.94	3.05	1	3
60684.W3002	Neoprene	20	B	50,8 (2")	23.37	41306	27.94	3.05	1	3
60684.W3003	Neoprene	35	B	50,8 (2")	23.37	41306	27.94	3.05	1	3
60684.W3006	Neoprene	60	B	50,8 (2")	23.37	41306	27.94	3.05	1	3
60684.W3012	Neoprene	20	C	50,8 (2")	49.27	41306	35.81	6.35	1	6
60684.W3013	Neoprene	35	C	50,8 (2")	49.27	41306	35.81	6.35	1	6
60684.W3016	Neoprene	60	C	50,8 (2")	49.27	41306	35.81	6.35	1	6
60684.W3022	Neoprene	20	B	63,5 (2")	49.27	41306	27.94	3.05	1	3
60684.W3023	Neoprene	35	B	50,8 (2")	49.27	41306	27.94	3.05	1	3
60684.W3026	Neoprene	60	B	50,8 (2")	49.27	41306	27.94	3.05	1	3



60686

ROLLERS & BUMPERS

Material

Nitrile, urethane or neoprene bonded to a steel insert. Hardness from 20-60 durometer (Shore A).

Technical Notes

Designed to be mounted onto a shaft. A

hub extends past the roller and is supplied with two set screws at 90°.

liquid to pass.

Tips

Finned rollers have grooves on the surface, creating less surface contact with the workpiece, and allowing dirt, debris and

Order No.	Material	Duro.	d ₁	l ₁	d ₂ min./max.	d ₃	l ₂	No. of fins
60686.W1002	Nitrile	20	50,80 (2")	23.37	12,73/12,83	31.75	12.70	3
60686.W1003	Nitrile	35	50,80 (2")	23.37	12,73/12,83	31.75	12.70	3
60686.W1006	Nitrile	60	50,80 (2")	23.37	12,73/12,83	31.75	12.70	3
60686.W1012	Nitrile	20	50,80 (2")	23.37	15,90/16,03	31.75	12.70	3
60686.W1013	Nitrile	35	50,80 (2")	23.37	15,90/16,03	31.75	12.70	3
60686.W1016	Nitrile	60	50,80 (2")	23.37	15,90/16,03	31.75	12.70	3
60686.W1022	Nitrile	20	50,80 (2")	23.37	19,08/19,20	31.75	12.70	3
60686.W1023	Nitrile	35	50,80 (2")	23.37	19,08/19,20	31.75	12.70	3
60686.W1026	Nitrile	60	50,80 (2")	23.37	19,08/19,20	31.75	12.70	3
60686.W1032	Nitrile	20	50,80 (2")	23.27	25,43/25,55	34.80	12.70	3
60686.W1033	Nitrile	35	50,80 (2")	23.27	25,43/25,55	34.80	12.70	3
60686.W1036	Nitrile	60	50,80 (2")	23.27	25,43/25,55	34.80	12.70	3
60686.W1042	Nitrile	20	50,80 (2")	49.28	12,73/12,83	31.75	12.70	6
60686.W1043	Nitrile	35	50,80 (2")	49.28	12,73/12,83	31.75	12.70	6
60686.W1046	Nitrile	60	50,80 (2")	49.28	12,73/12,83	31.75	12.70	6
60686.W2003	Urethane	35	50,80 (2")	23.37	12,73/12,83	31.75	12.70	3
60686.W2006	Urethane	60	50,80 (2")	23.37	12,73/12,83	31.75	12.70	3
60686.W2013	Urethane	35	50,80 (2")	23.37	15,90/16,03	31.75	12.70	3
60686.W2016	Urethane	60	50,80 (2")	23.37	15,90/16,03	31.75	12.70	3
60686.W2023	Urethane	35	50,80 (2")	23.37	19,08/19,20	31.75	12.70	3
60686.W2026	Urethane	60	50,80 (2")	23.37	19,08/19,20	31.75	12.70	3
60686.W2033	Urethane	35	50,80 (2")	23.27	25,43/25,55	34.80	12.70	3
60686.W2036	Urethane	60	50,80 (2")	23.27	25,43/25,55	34.80	12.70	3
60686.W2043	Urethane	35	50,80 (2")	49.28	12,73/12,83	31.75	12.70	6
60686.W2046	Urethane	60	50,80 (2")	49.28	12,73/12,83	31.75	12.70	6
60686.W3002	Neoprene	20	50,80 (2")	23.37	12,73/12,83	31.75	12.70	3
60686.W3003	Neoprene	35	50,80 (2")	23.37	12,73/12,83	31.75	12.70	3
60686.W3006	Neoprene	60	50,80 (2")	23.37	12,73/12,83	31.75	12.70	3
60686.W3012	Neoprene	20	50,80 (2")	23.37	15,90/16,03	31.75	12.70	3
60686.W3013	Neoprene	35	50,80 (2")	23.37	15,90/16,03	31.75	12.70	3
60686.W3016	Neoprene	60	50,80 (2")	23.37	15,90/16,03	31.75	12.70	3

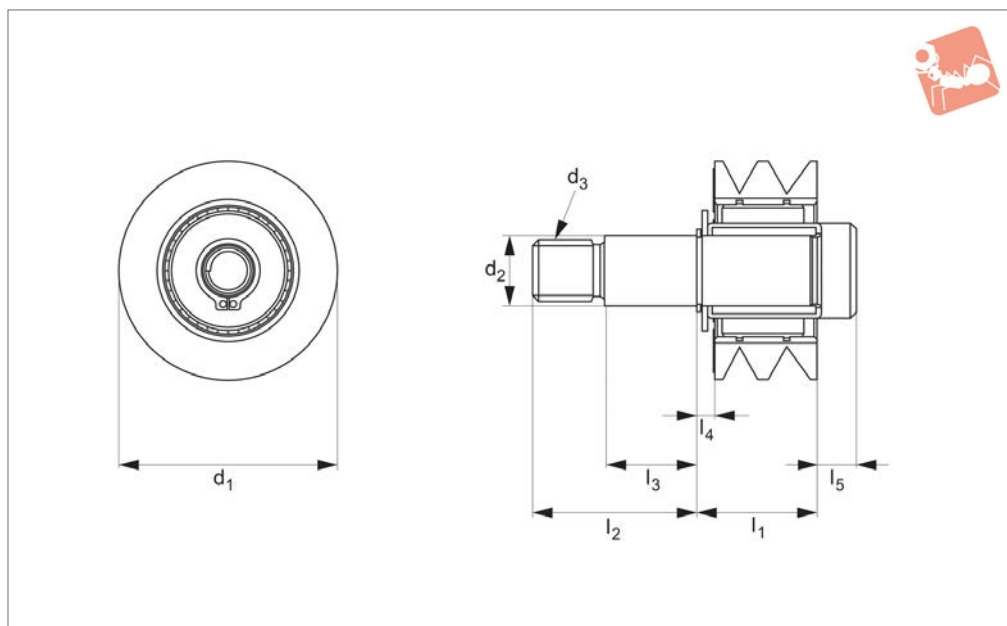


Order No.	Material	Duro.	d ₁	l ₁	d ₂ min. max.	d ₃	l ₂	No. of fins
60686.W3022	Neoprene	20	50,80 (2")	23.37	19,08/19,20	31.75	12.70	3
60686.W3023	Neoprene	35	50,80 (2")	23.37	19,08/19,20	31.75	12.70	3
60686.W3026	Neoprene	60	50,80 (2")	23.37	19,08/19,20	31.75	12.70	3
60686.W3032	Neoprene	20	50,80 (2")	23.27	25,43/25,55	34.80	12.70	3
60686.W3033	Neoprene	35	50,80 (2")	23.27	25,43/25,55	34.80	12.70	3
60686.W3036	Neoprene	60	50,80 (2")	23.27	25,43/25,55	34.80	12.70	3
60686.W3042	Neoprene	20	50,80 (2")	49.28	12,73/12,83	31.75	12.70	6
60686.W3043	Neoprene	35	50,80 (2")	49.28	12,73/12,83	31.75	12.70	6
60686.W3046	Neoprene	60	50,80 (2")	49.28	12,73/12,83	31.75	12.70	6



Finned Roller clutch bearing

Rollers & Bumpers



60688

ROLLERS & BUMPERS

Material

Nitrile, urethane or neoprene bonded to a steel insert. Hardness from 20-60 durometer (Shore A).

Technical Notes

A clutch bearing allows the roller to turn in only one direction. Available in left or right hand rotation (with the stud pointed

upwards, a right hand rotation turns clockwise.

Type R = right hand clutch bearing.

Type L = left hand clutch bearing.

Supplied with type I bearings, please see technical page for more information on bearings.

Tips

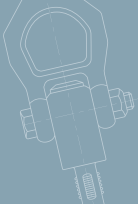
Finned rollers have grooves on the surface, creating less surface contact with the workpiece, and allowing dirt, debris and liquid to pass.

No. of fins:

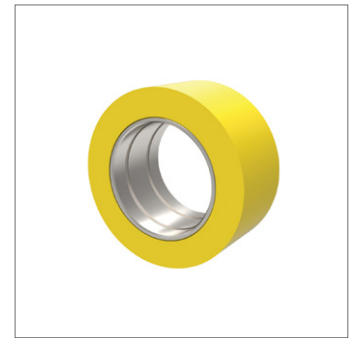
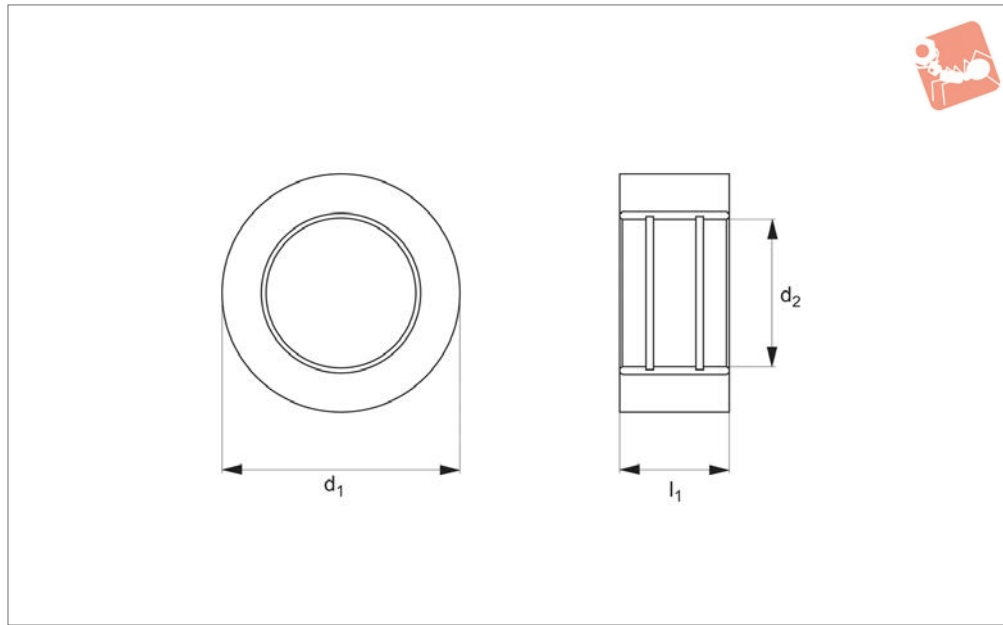
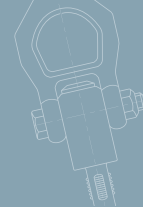
$l_1 = 23,37$ 3 fins

$l_1 = 49,28$ 6 fins

Order No.	Material	Duro.	Type	d_1	l_1	d_2 +0.05	d_3	l_2	l_3	l_4	l_5
60688.W1002	Nitrile	20	R	50.80	23.37	15.77	1/2-13"	45.47	26.42	3.05	10.41
60688.W1003	Nitrile	35	R	50.80	23.37	15.77	1/2-13"	45.47	26.42	3.05	10.41
60688.W1006	Nitrile	60	R	50.80	23.37	15.77	1/2-13"	45.47	26.42	3.05	10.41
60688.W1012	Nitrile	20	L	50.80	23.37	15.77	1/2-13"	45.47	26.42	3.05	10.41
60688.W1013	Nitrile	35	L	50.80	23.37	15.77	1/2-13"	45.47	26.42	3.05	10.41
60688.W1016	Nitrile	60	L	50.80	23.37	15.77	1/2-13"	45.47	26.42	3.05	10.41
60688.W1022	Nitrile	20	R	50.80	49.28	15.77	1/2-13"	31.75	23.62	10.42	-
60688.W1023	Nitrile	35	R	50.80	49.28	15.77	1/2-13"	31.75	23.62	10.42	-
60688.W1026	Nitrile	60	R	50.80	49.28	15.77	1/2-13"	31.75	23.62	10.42	-
60688.W1032	Nitrile	20	L	50.80	49.28	15.77	1/2-13"	31.75	23.62	10.42	-
60688.W1033	Nitrile	35	L	50.80	49.28	15.77	1/2-13"	31.75	23.62	10.42	-
60688.W1036	Nitrile	60	L	50.80	49.28	15.77	1/2-13"	31.75	23.62	10.42	-
60688.W1042	Nitrile	20	R	63.50	23.37	15.77	1/2-13"	45.47	26.42	3.05	10.42
60688.W1043	Nitrile	35	R	63.50	23.37	15.77	1/2-13"	45.47	26.42	3.05	10.42
60688.W1046	Nitrile	60	R	63.50	23.37	15.77	1/2-13"	45.47	26.42	3.05	10.42
60688.W1052	Nitrile	20	L	63.50	23.37	15.77	1/2-13"	45.47	26.42	3.05	10.42
60688.W1053	Nitrile	35	L	63.50	23.37	15.77	1/2-13"	45.47	26.42	3.05	10.42
60688.W1056	Nitrile	60	L	63,50 (2,5")	23.37	15.77	1/2-13"	45.47	26.42	3.05	10.42
60688.W2003	Urethane	35	R	50.80	23.37	15.77	1/2-13"	45.47	26.42	3.05	10.41
60688.W2006	Urethane	60	R	50.80	23.37	15.77	1/2-13"	45.47	26.42	3.05	10.41
60688.W2013	Urethane	35	L	50.80	23.37	15.77	1/2-13"	45.47	26.42	3.05	10.41
60688.W2016	Urethane	60	L	50.80	23.37	15.77	1/2-13"	45.47	26.42	3.05	10.41
60688.W2023	Urethane	35	R	50.80	49.28	15.77	1/2-13"	31.75	23.62	10.42	-
60688.W2026	Urethane	60	R	50.80	49.28	15.77	1/2-13"	31.75	23.62	10.42	-
60688.W2033	Urethane	35	L	50.80	49.28	15.77	1/2-13"	31.75	23.62	10.42	-
60688.W2036	Urethane	60	L	50.80	49.28	15.77	1/2-13"	31.75	23.62	10.42	-
60688.W2043	Urethane	35	R	63.50	23.37	15.77	1/2-13"	45.47	26.42	3.05	10.42
60688.W2046	Urethane	60	R	63.50	23.37	15.77	1/2-13"	45.47	26.42	3.05	10.42
60688.W2053	Urethane	35	L	63.50	23.37	15.77	1/2-13"	45.47	26.42	3.05	10.42



Order No.	Material	Duro.	Type	d ₁	l ₁	d ₂ +0.05	d ₃	l ₂	l ₃	l ₄	l ₅
60688.W2056	Urethane	60	L	63,50 (2,5")	23.37	15.77	1/2-13"	45.47	26.42	3.05	10.42
60688.W3002	Neoprene	20	R	50.80	23.37	15.77	1/2-13"	45.47	26.42	3.05	10.41
60688.W3003	Neoprene	35	R	50.80	23.37	15.77	1/2-13"	45.47	26.42	3.05	10.41
60688.W3006	Neoprene	60	R	50.80	23.37	15.77	1/2-13"	45.47	26.42	3.05	10.41
60688.W3012	Neoprene	20	L	50.80	23.37	15.77	1/2-13"	45.47	26.42	3.05	10.41
60688.W3013	Neoprene	35	L	50.80	23.37	15.77	1/2-13"	45.47	26.42	3.05	10.41
60688.W3016	Neoprene	60	L	50.80	23.37	15.77	1/2-13"	45.47	26.42	3.05	10.41
60688.W3022	Neoprene	20	R	50.80	49.28	15.77	1/2-13"	31.75	23.62	10.42	-
60688.W3023	Neoprene	35	R	50.80	49.28	15.77	1/2-13"	31.75	23.62	10.42	-
60688.W3026	Neoprene	60	R	50.80	49.28	15.77	1/2-13"	31.75	23.62	10.42	-
60688.W3032	Neoprene	20	L	50.80	49.28	15.77	1/2-13"	31.75	23.62	10.42	-
60688.W3033	Neoprene	35	L	50.80	49.28	15.77	1/2-13"	31.75	23.62	10.42	-
60688.W3036	Neoprene	60	L	50.80	49.28	15.77	1/2-13"	31.75	23.62	10.42	-
60688.W3042	Neoprene	20	R	63.50	23.37	15.77	1/2-13"	45.47	26.42	3.05	10.42
60688.W3043	Neoprene	35	R	63.50	23.37	15.77	1/2-13"	45.47	26.42	3.05	10.42
60688.W3046	Neoprene	60	R	63.50	23.37	15.77	1/2-13"	45.47	26.42	3.05	10.42
60688.W3052	Neoprene	20	L	63.50	23.37	15.77	1/2-13"	45.47	26.42	3.05	10.42
60688.W3053	Neoprene	35	L	63.50	23.37	15.77	1/2-13"	45.47	26.42	3.05	10.42
60688.W3056	Neoprene	60	L	63.50	23.37	15.77	1/2-13"	45.47	26.42	3.05	10.42



60620

ROLLERS & BUMPERS

Material

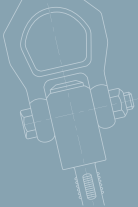
Nitrile, urethane or neoprene bonded to a steel insert.

Hardness from 20-80 durometer (Shore A).

Technical Notes

Roller only - allows for custom mounting.

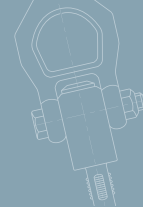
Order No.	Type	Durometer	d ₁	l ₁	d ₂	
					min.	max.
60620.W1002	Nitrile	20	38,1 (1.5")	31,75 (1.25")	22,22 (7/8")	
60620.W1003	Nitrile	35	38,1 (1.5")	31,75 (1.25")	22,22 (7/8")	
60620.W1006	Nitrile	60	38,1 (1.5")	31,75 (1.25")	22,22 (7/8")	
60620.W1008	Nitrile	80	38,1 (1.5")	31,75 (1.25")	22,22 (7/8")	
60620.W1012	Nitrile	20	50,8 (2")	23,37 (0.92")	22,23 (1-1/8")	
60620.W1013	Nitrile	35	50,8 (2")	23,37 (0.92")	22,23 (1-1/8")	
60620.W1016	Nitrile	60	50,8 (2")	23,37 (0.92")	22,23 (1-1/8")	
60620.W1018	Nitrile	80	50,8 (2")	23,37 (0.92")	22,23 (1-1/8")	
60620.W1022	Nitrile	20	50,8 (2")	49,28 (1.94")	22,23 (1-1/8")	
60620.W1023	Nitrile	35	50,8 (2")	49,28 (1.94")	22,23 (1-1/8")	
60620.W1026	Nitrile	60	50,8 (2")	49,28 (1.94")	22,23 (1-1/8")	
60620.W1028	Nitrile	80	50,8 (2")	49,28 (1.94")	22,23 (1-1/8")	
60620.W1032	Nitrile	20	50,8 (2")	49,28 (1.94")	19,05 (1-1/4")	
60620.W1033	Nitrile	35	50,8 (2")	49,28 (1.94")	19,05 (1-1/4")	
60620.W1036	Nitrile	60	50,8 (2")	49,28 (1.94")	19,05 (1-1/4")	
60620.W1038	Nitrile	80	50,8 (2")	49,28 (1.94")	19,05 (1-1/4")	
60620.W1042	Nitrile	20	63,5 (2.5")	23,37 (0.92")	19,05 (1-1/4")	
60620.W1043	Nitrile	35	63,5 (2.5")	23,37 (0.92")	19,05 (1-1/4")	
60620.W1046	Nitrile	60	63,5 (2.5")	23,37 (0.92")	19,05 (1-1/4")	
60620.W1048	Nitrile	80	63,5 (2.5")	23,37 (0.92")	19,05 (1-1/4")	
60620.W1052	Nitrile	20	63,5 (2.5")	49,28 (1.94")	22,23 (1-1/8")	
60620.W1053	Nitrile	35	63,5 (2.5")	49,28 (1.94")	22,23 (1-1/8")	
60620.W1056	Nitrile	60	63,5 (2.5")	49,28 (1.94")	22,23 (1-1/8")	
60620.W1059	Nitrile	80	63,5 (2.5")	49,28 (1.94")	22,23 (1-1/8")	
60620.W1062	Nitrile	20	63,5 (2.5")	49,28 (1.94")	19,05 (1-1/4")	
60620.W1063	Nitrile	35	63,5 (2.5")	49,28 (1.94")	19,05 (1-1/4")	
60620.W1066	Nitrile	60	63,5 (2.5")	49,28 (1.94")	19,05 (1-1/4")	
60620.W1069	Nitrile	80	63,5 (2.5")	49,28 (1.94")	19,05 (1-1/4")	
60620.W1072	Nitrile	20	101,6 (4")	23,37 (0.92")	22,23 (1-1/8")	
60620.W1073	Nitrile	35	101,6 (4")	23,37 (0.92")	22,23 (1-1/8")	
60620.W1076	Nitrile	60	101,6 (4")	23,37 (0.92")	22,23 (1-1/8")	
60620.W1079	Nitrile	80	101,6 (4")	23,37 (0.92")	22,23 (1-1/8")	
60620.W1082	Nitrile	20	101,6 (4")	23,37 (0.92")	19,05 (1-1/4")	
60620.W1083	Nitrile	35	101,6 (4")	23,37 (0.92")	19,05 (1-1/4")	



Order No.	Type	Durometer	d ₁	l ₁	d ₂ min. max.
60620.W1086	Nitrile	60	101,6 (4")	23,37 (0.92")	19,05 (1-1/4")
60620.W1089	Nitrile	80	101,6 (4")	23,37 (0.92")	19,05 (1-1/4")
60620.W1092	Nitrile	20	101,6 (4")	49,28 (1.94")	22,23 (1-1/8")
60620.W1093	Nitrile	35	101,6 (4")	49,28 (1.94")	22,23 (1-1/8")
60620.W1096	Nitrile	60	101,6 (4")	49,28 (1.94")	22,23 (1-1/8")
60620.W1099	Nitrile	80	101,6 (4")	49,28 (1.94")	22,23 (1-1/8")
60620.W1102	Nitrile	20	101,6 (4")	49,28 (1.94")	19,05 (1-1/4")
60620.W1103	Nitrile	35	101,6 (4")	49,28 (1.94")	19,05 (1-1/4")
60620.W1106	Nitrile	60	101,6 (4")	49,28 (1.94")	19,05 (1-1/4")
60620.W1109	Nitrile	80	101,6 (4")	49,28 (1.94")	19,05 (1-1/4")
60620.W2003	Urethane	35	38,1 (1.5")	31,75 (1.25")	22,22 (7/8")
60620.W2006	Urethane	60	38,1 (1.5")	31,75 (1.25")	22,22 (7/8")
60620.W2008	Urethane	80	38,1 (1.5")	31,75 (1.25")	22,22 (7/8")
60620.W2013	Urethane	35	50,8 (2")	23,37 (0.92")	22,23 (1-1/8")
60620.W2016	Urethane	60	50,8 (2")	23,37 (0.92")	22,23 (1-1/8")
60620.W2018	Urethane	80	50,8 (2")	23,37 (0.92")	22,23 (1-1/8")
60620.W2023	Urethane	35	50,8 (2")	49,28 (1.94")	22,23 (1-1/8")
60620.W2026	Urethane	60	50,8 (2")	49,28 (1.94")	22,23 (1-1/8")
60620.W2028	Urethane	80	50,8 (2")	49,28 (1.94")	22,23 (1-1/8")
60620.W2033	Urethane	35	50,8 (2")	49,28 (1.94")	19,05 (1-1/4")
60620.W2036	Urethane	60	50,8 (2")	49,28 (1.94")	19,05 (1-1/4")
60620.W2038	Urethane	80	50,8 (2")	49,28 (1.94")	19,05 (1-1/4")
60620.W2043	Urethane	35	63,5 (2.5")	23,37 (0.92")	19,05 (1-1/4")
60620.W2046	Urethane	60	63,5 (2.5")	23,37 (0.92")	19,05 (1-1/4")
60620.W2048	Urethane	80	63,5 (2.5")	23,37 (0.92")	19,05 (1-1/4")
60620.W2056	Urethane	80	63,5 (2.5")	49,28 (1.94")	22,23 (1-1/8")
60620.W2059	Urethane	95	63,5 (2.5")	49,28 (1.94")	22,23 (1-1/8")
60620.W2062	Urethane	35	63,5 (2.5")	49,28 (1.94")	19,05 (1-1/4")
60620.W2063	Urethane	60	63,5 (2.5")	49,28 (1.94")	19,05 (1-1/4")
60620.W2066	Urethane	80	63,5 (2.5")	49,28 (1.94")	19,05 (1-1/4")
60620.W2069	Urethane	95	63,5 (2.5")	49,28 (1.94")	19,05 (1-1/4")
60620.W2072	Urethane	35	101,6 (4")	23,37 (0.92")	22,23 (1-1/8")
60620.W2073	Urethane	60	101,6 (4")	23,37 (0.92")	22,23 (1-1/8")
60620.W2076	Urethane	80	101,6 (4")	23,37 (0.92")	22,23 (1-1/8")
60620.W2079	Urethane	95	101,6 (4")	23,37 (0.92")	22,23 (1-1/8")
60620.W2082	Urethane	35	101,6 (4")	23,37 (0.92")	19,05 (1-1/4")
60620.W2083	Urethane	60	101,6 (4")	23,37 (0.92")	19,05 (1-1/4")
60620.W2086	Urethane	80	101,6 (4")	23,37 (0.92")	19,05 (1-1/4")
60620.W2089	Urethane	95	101,6 (4")	23,37 (0.92")	19,05 (1-1/4")
60620.W2092	Urethane	35	101,6 (4")	49,28 (1.94")	22,23 (1-1/8")
60620.W2093	Urethane	60	101,6 (4")	49,28 (1.94")	22,23 (1-1/8")
60620.W2096	Urethane	80	101,6 (4")	49,28 (1.94")	22,23 (1-1/8")
60620.W2099	Urethane	95	101,6 (4")	49,28 (1.94")	22,23 (1-1/8")
60620.W2102	Urethane	35	101,6 (4")	49,28 (1.94")	19,05 (1-1/4")
60620.W2103	Urethane	60	101,6 (4")	49,28 (1.94")	19,05 (1-1/4")
60620.W2106	Urethane	80	101,6 (4")	49,28 (1.94")	19,05 (1-1/4")
60620.W2108	Urethane	95	101,6 (4")	49,28 (1.94")	19,05 (1-1/4")
60620.W2109	Urethane	60	152,4 (6")	49,28 (1.94")	22,23 (1-1/8")
60620.W2110	Urethane	60	152,4 (6")	49,28 (1.94")	19,05 (1-1/4")
60620.W2111	Urethane	80	152,4 (6")	49,28 (1.94")	22,23 (1-1/8")
60620.W2112	Urethane	80	152,4 (6")	49,28 (1.94")	19,05 (1-1/4")
60620.W2113	Urethane	35	152,4 (6")	49,28 (1.94")	22,23 (1-1/8")
60620.W2114	Urethane	35	127,0 (5")	49,28 (1.94")	22,23 (1-1/8")
60620.W2116	Urethane	60	127,0 (5")	49,28 (1.94")	22,23 (1-1/8")
60620.W2119	Urethane	80	127,0 (5")	49,28 (1.94")	22,23 (1-1/8")
60620.W2123	Urethane	35	127,0 (5")	49,28 (1.94")	19,05 (1-1/4")
60620.W2126	Urethane	60	127,0 (5")	49,28 (1.94")	19,05 (1-1/4")
60620.W2129	Urethane	80	127,0 (5")	49,28 (1.94")	19,05 (1-1/4")
60620.W2133	Urethane	35	152,4 (6")	49,28 (1.94")	19,05 (1-1/4")
60620.W3053	Urethane	35	63,5 (2.5")	49,28 (1.94")	22,23 (1-1/8")
60620.W2052	Neoprene	35	63,5 (2.5")	49,28 (1.94")	22,23 (1-1/8")
60620.W3056	Neoprene	60	63,5 (2.5")	49,28 (1.94")	22,23 (1-1/8")
60620.W3059	Neoprene	80	63,5 (2.5")	49,28 (1.94")	22,23 (1-1/8")
60620.W3062	Neoprene	20	63,5 (2.5")	49,28 (1.94")	22,23 (1-1/8")
60620.W3063	Neoprene	35	63,5 (2.5")	49,28 (1.94")	19,05 (1-1/4")
60620.W3069	Neoprene	80	63,5 (2.5")	49,28 (1.94")	19,05 (1-1/4")
60620.W2053	Neoprene	60	63,5 (2.5")	49,28 (1.94")	19,05 (1-1/4")
60620.W3002	Neoprene	20	38,1 (1.5")	31,75 (1.25")	22,22 (7/8")



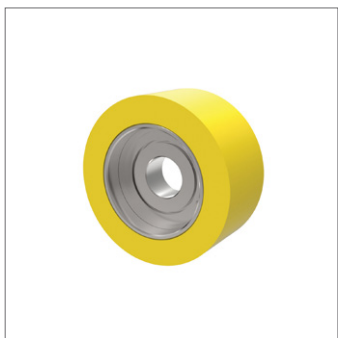
Solid Roller roller only



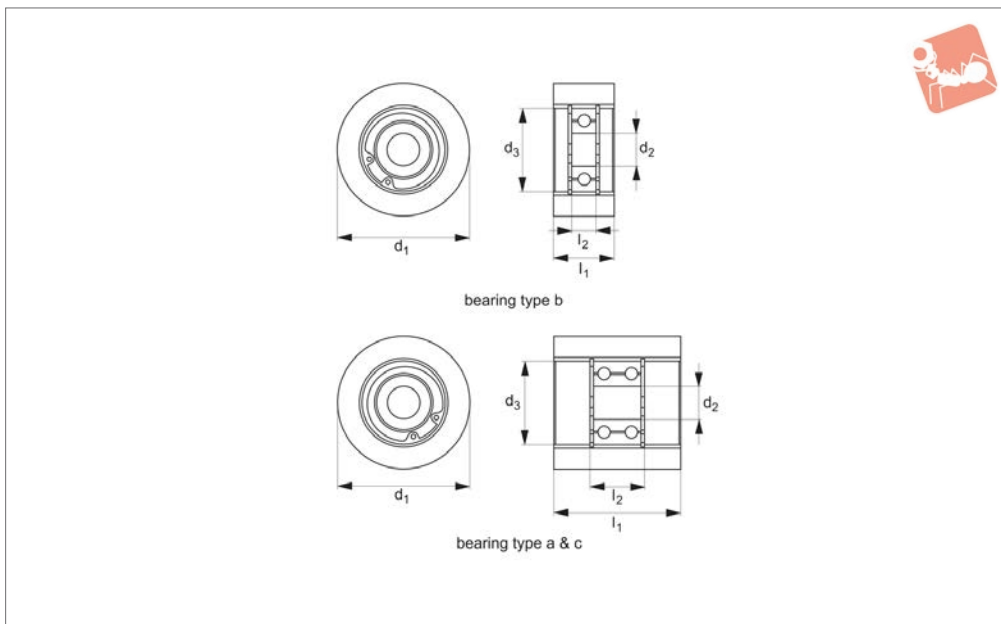
Rollers & Bumpers

Order No.	Type	Durometer	d ₁	l ₁	d ₂ min. max.
60620.W3003	Neoprene	35	38,1 (1.5")	31,75 (1.25")	22,22 (7/8")
60620.W3006	Neoprene	60	38,1 (1.5")	31,75 (1.25")	22,22 (7/8")
60620.W3008	Neoprene	80	38,1 (1.5")	31,75 (1.25")	22,22 (7/8")
60620.W3012	Neoprene	20	50,8 (2")	23,37 (0.92")	19,05 (1-1/4")
60620.W3013	Neoprene	35	50,8 (2")	23,37 (0.92")	22,23 (1-1/8")
60620.W3016	Neoprene	60	50,8 (2")	23,37 (0.92")	22,23 (1-1/8")
60620.W3018	Neoprene	80	50,8 (2")	23,37 (0.92")	22,23 (1-1/8")
60620.W3022	Neoprene	20	50,8 (2")	49,28 (1.94")	22,23 (1-1/8")
60620.W3023	Neoprene	35	50,8 (2")	49,28 (1.94")	22,23 (1-1/8")
60620.W3026	Neoprene	60	50,8 (2")	49,28 (1.94")	22,23 (1-1/8")
60620.W3028	Neoprene	80	50,8 (2")	49,28 (1.94")	22,23 (1-1/8")
60620.W3032	Neoprene	20	50,8 (2")	49,28 (1.94")	19,05 (1-1/4")
60620.W3033	Neoprene	35	50,8 (2")	49,28 (1.94")	19,05 (1-1/4")
60620.W3036	Neoprene	60	50,8 (2")	49,28 (1.94")	19,05 (1-1/4")
60620.W3038	Neoprene	80	50,8 (2")	49,28 (1.94")	19,05 (1-1/4")
60620.W3042	Neoprene	20	63,5 (2.5")	23,37 (0.92")	19,05 (1-1/4")
60620.W3043	Neoprene	35	63,5 (2.5")	23,37 (0.92")	19,05 (1-1/4")
60620.W3046	Neoprene	60	63,5 (2.5")	23,37 (0.92")	19,05 (1-1/4")
60620.W3048	Neoprene	80	63,5 (2.5")	23,37 (0.92")	19,05 (1-1/4")
60620.W3072	Neoprene	20	101,6 (4")	23,37 (0.92")	22,23 (1-1/8")
60620.W3073	Neoprene	35	101,6 (4")	23,37 (0.92")	22,23 (1-1/8")
60620.W3076	Neoprene	60	101,6 (4")	23,37 (0.92")	22,23 (1-1/8")
60620.W3079	Neoprene	80	101,6 (4")	23,37 (0.92")	22,23 (1-1/8")
60620.W3082	Neoprene	20	101,6 (4")	23,37 (0.92")	19,05 (1-1/4")
60620.W3083	Neoprene	35	101,6 (4")	23,37 (0.92")	19,05 (1-1/4")
60620.W3086	Neoprene	60	101,6 (4")	23,37 (0.92")	19,05 (1-1/4")
60620.W3089	Neoprene	80	101,6 (4")	23,37 (0.92")	19,05 (1-1/4")
60620.W3092	Neoprene	20	101,6 (4")	49,28 (1.94")	22,23 (1-1/8")
60620.W3093	Neoprene	35	101,6 (4")	49,28 (1.94")	22,23 (1-1/8")
60620.W3096	Neoprene	60	101,6 (4")	49,28 (1.94")	22,23 (1-1/8")
60620.W3099	Neoprene	80	101,6 (4")	49,28 (1.94")	22,23 (1-1/8")
60620.W3102	Neoprene	20	101,6 (4")	49,28 (1.94")	19,05 (1-1/4")
60620.W3103	Neoprene	35	101,6 (4")	49,28 (1.94")	19,05 (1-1/4")
60620.W3106	Neoprene	60	101,6 (4")	49,28 (1.94")	19,05 (1-1/4")
60620.W3109	Neoprene	80	101,6 (4")	49,28 (1.94")	19,05 (1-1/4")

ROLLERS & BUMPERS



60622



Material

Nitrile, urethane or neoprene bonded to a steel insert.

Hardness from 20-80 durometer (Shore A).

Technical Notes

Bearings included (held in place with snap rings). For more details on bearings please

see technical pages.

Tolerances:

When $d_1=38,10$

$d_2 \pm 0,05$

$d_3 \pm 0,07$

$l_2 \pm 0,05$

When $d_1 > 38,10$

$d_2 \pm 0,065$

$d_3 \pm 0,065$

$l_2 \pm 0,08$

Order No.	Material	Durometer	d_1	l_1	d_2	d_3	l_2	Bearing type
60622.W1002	Nitrile	20	38,1 (1,5")	31.75	8.0	22.16	12.70	A
60622.W1003	Nitrile	35	38,1 (1,5")	31.75	8.0	22.16	12.70	A
60622.W1006	Nitrile	60	38,1 (1,5")	31.75	8.0	22.16	12.70	A
60622.W1008	Nitrile	80	38,1 (1,5")	31.75	8.0	22.16	12.70	A
60622.W1012	Nitrile	20	50,8 (2,0")	23.37	12.77	31.69	9.52	B
60622.W1013	Nitrile	35	50,8 (2,0")	23.37	12.77	31.69	9.52	B
60622.W1016	Nitrile	60	50,8 (2,0")	23.37	12.77	31.69	9.52	B
60622.W1018	Nitrile	80	50,8 (2,0")	23.37	12.77	31.69	9.52	B
60622.W1022	Nitrile	20	50,8 (2,0")	49.28	12.77	31.69	19.05	C
60622.W1023	Nitrile	35	50,8 (2,0")	49.28	12.77	31.69	19.05	C
60622.W1026	Nitrile	60	50,8 (2,0")	49.28	12.77	31.69	19.05	C
60622.W1028	Nitrile	80	50,8 (2,0")	49.28	12.77	31.69	19.05	C
60622.W1032	Nitrile	20	63,5 (2,5")	23.37	12.77	31.69	9.52	C
60622.W1033	Nitrile	35	63,5 (2,5")	23.37	12.77	31.69	9.52	C
60622.W1036	Nitrile	60	63,5 (2,5")	23.37	12.77	31.69	9.52	C
60622.W1038	Nitrile	80	63,5 (2,5")	23.37	12.77	31.69	9.52	C
60622.W1042	Nitrile	20	63,5 (2,5")	49.28	12.77	31.69	19.05	C
60622.W1043	Nitrile	35	63,5 (2,5")	49.28	12.77	31.69	19.05	C
60622.W1046	Nitrile	60	63,5 (2,5")	49.28	12.77	31.69	19.05	C
60622.W1048	Nitrile	80	63,5 (2,5")	49.28	12.77	31.69	19.05	C
60622.W1052	Nitrile	20	101,6 (4,0")	23.37	12.77	31.69	9.52	B
60622.W1053	Nitrile	35	101,6 (4,0")	23.37	12.77	31.69	9.52	B
60622.W1056	Nitrile	60	101,6 (4,0")	23.37	12.77	31.69	9.52	B
60622.W1058	Nitrile	80	101,6 (4,0")	23.37	12.77	31.69	9.52	B
60622.W1062	Nitrile	20	101,6 (4,0")	49.28	12.77	31.69	19.05	C
60622.W1063	Nitrile	35	101,6 (4,0")	49.28	12.77	31.69	19.05	C
60622.W1066	Nitrile	60	101,6 (4,0")	49.28	12.77	31.69	19.05	C
60622.W1068	Nitrile	80	101,6 (4,0")	49.28	12.77	31.69	19.05	C
60622.W2003	Urethane	35	38,1 (1,5")	31.75	8.0	22.16	12.70	A
60622.W2006	Urethane	60	38,1 (1,5")	31.75	8.0	22.16	12.70	A
60622.W2008	Urethane	80	38,1 (1,5")	31.75	8.0	22.16	12.70	A



Solid Roller bearing mount



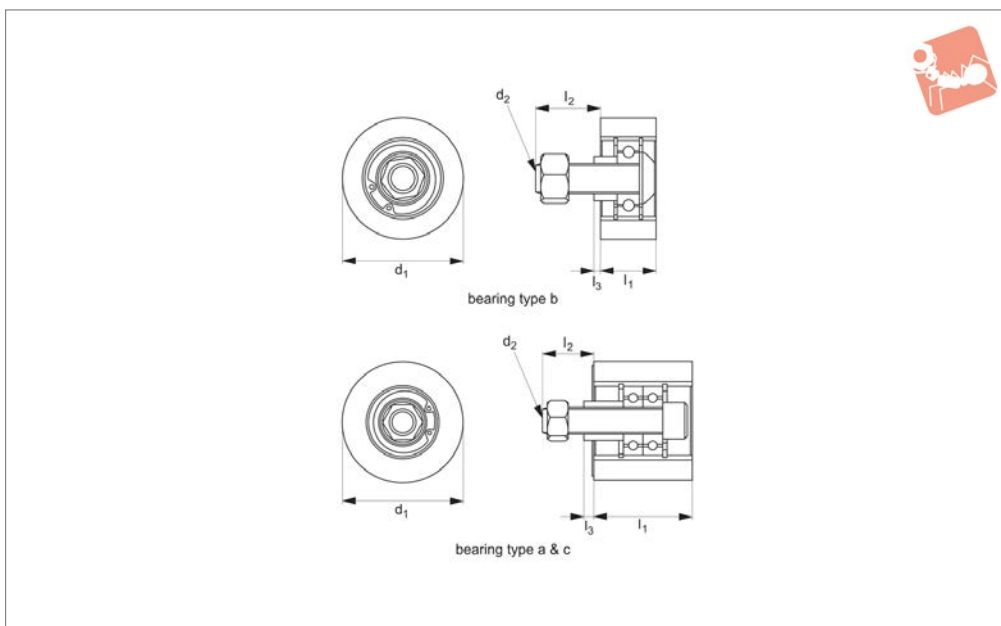
Rollers & Bumpers

Order No.	Material	Durometer	d ₁	l ₁	d ₂	d ₃	l ₂	Bearing type
60622.W2013	Urethane	35	50,8 (2,0")	23.37	12.77	31.69	9.52	B
60622.W2016	Urethane	60	50,8 (2,0")	23.37	12.77	31.69	9.52	B
60622.W2018	Urethane	80	50,8 (2,0")	23.37	12.77	31.69	9.52	B
60622.W2023	Urethane	35	50,8 (2,0")	49.28	12.77	31.69	19.05	C
60622.W2026	Urethane	60	50,8 (2,0")	49.28	12.77	31.69	19.05	C
60622.W2028	Urethane	80	50,8 (2,0")	49.28	12.77	31.69	19.05	C
60622.W2033	Urethane	35	63,5 (2,5")	23.37	12.77	31.69	9.52	C
60622.W2036	Urethane	60	63,5 (2,5")	23.37	12.77	31.69	9.52	C
60622.W2038	Urethane	80	63,5 (2,5")	23.37	12.77	31.69	9.52	C
60622.W2043	Urethane	35	63,5 (2,5")	49.28	12.77	31.69	19.05	C
60622.W2046	Urethane	60	63,5 (2,5")	49.28	12.77	31.69	19.05	C
60622.W2048	Urethane	80	63,5 (2,5")	49.28	12.77	31.69	19.05	C
60622.W2053	Urethane	35	101,6 (4,0")	23.37	12.77	31.69	9.52	B
60622.W2056	Urethane	60	101,6 (4,0")	23.37	12.77	31.69	9.52	B
60622.W2058	Urethane	80	101,6 (4,0")	23.37	12.77	31.69	9.52	B
60622.W2063	Urethane	35	101,6 (4,0")	49.28	12.77	31.69	19.05	C
60622.W2066	Urethane	60	101,6 (4,0")	49.28	12.77	31.69	19.05	C
60622.W2068	Urethane	80	101,6 (4,0")	49.28	12.77	31.69	19.05	C
60622.W2073	Urethane	35	127,0 (5,0")	49.28	12.77	31.69	19.05	C
60622.W2076	Urethane	60	127,0 (5,0")	49.28	12.77	31.69	19.05	C
60622.W2083	Urethane	35	152,4 (6,0")	49.28	12.77	31.69	19.05	C
60622.W2086	Urethane	60	152,4 (6,0")	49.28	12.77	31.69	19.05	C
60622.W2088	Urethane	80	152,4 (6,0")	49.28	12.77	31.69	19.05	C
60622.W3002	Neoprene	20	38,1 (1,5")	31.75	8.0	22.16	12.70	A
60622.W3003	Neoprene	35	38,1 (1,5")	31.75	8.0	22.16	12.70	A
60622.W3006	Neoprene	60	38,1 (1,5")	31.75	8.0	22.16	12.70	A
60622.W3008	Neoprene	80	38,1 (1,5")	31.75	8.0	22.16	12.70	A
60622.W3012	Neoprene	20	50,8 (2,0")	23.37	12.77	31.69	9.52	B
60622.W3013	Neoprene	35	50,8 (2,0")	23.37	12.77	31.69	9.52	B
60622.W3016	Neoprene	60	50,8 (2,0")	23.37	12.77	31.69	9.52	B
60622.W3018	Neoprene	80	50,8 (2,0")	23.37	12.77	31.69	9.52	B
60622.W3022	Neoprene	20	50,8 (2,0")	49.28	12.77	31.69	19.05	C
60622.W3023	Neoprene	35	50,8 (2,0")	49.28	12.77	31.69	19.05	C
60622.W3026	Neoprene	60	50,8 (2,0")	49.28	12.77	31.69	19.05	C
60622.W3028	Neoprene	80	50,8 (2,0")	49.28	12.77	31.69	19.05	C
60622.W3032	Neoprene	20	63,5 (2,5")	23.37	12.77	31.69	9.52	C
60622.W3033	Neoprene	35	63,5 (2,5")	23.37	12.77	31.69	9.52	C
60622.W3036	Neoprene	60	63,5 (2,5")	23.37	12.77	31.69	9.52	C
60622.W3038	Neoprene	80	63,5 (2,5")	23.37	12.77	31.69	9.52	C
60622.W3042	Neoprene	20	63,5 (2,5")	49.28	12.77	31.69	19.05	C
60622.W3043	Neoprene	35	63,5 (2,5")	49.28	12.77	31.69	19.05	C
60622.W3046	Neoprene	60	63,5 (2,5")	49.28	12.77	31.69	19.05	C
60622.W3048	Neoprene	80	63,5 (2,5")	49.28	12.77	31.69	19.05	C
60622.W3052	Neoprene	20	101,6 (4,0")	23.37	12.77	31.69	9.52	B
60622.W3053	Neoprene	35	101,6 (4,0")	23.37	12.77	31.69	9.52	B
60622.W3056	Neoprene	60	101,6 (4,0")	23.37	12.77	31.69	9.52	B
60622.W3058	Neoprene	80	101,6 (4,0")	23.37	12.77	31.69	9.52	B
60622.W3062	Neoprene	20	101,6 (4,0")	49.28	12.77	31.69	19.05	C
60622.W3063	Neoprene	35	101,6 (4,0")	49.28	12.77	31.69	19.05	C
60622.W3066	Neoprene	60	101,6 (4,0")	49.28	12.77	31.69	19.05	C
60622.W3068	Neoprene	80	101,6 (4,0")	49.28	12.77	31.69	19.05	C

ROLLERS & BUMPERS



60624



Material

Nitrile, urethane or neoprene bonded to a steel insert.
Hardness from 20-80 durometer (Shore A).

Technical Notes

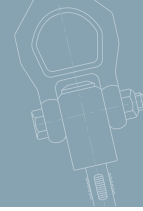
Bearings included (held in place with snap rings). For more details on bearings please see technical pages. Assembled with socket

head cap screw, spacer and lock nut.

Order No.	Material	Durometer	d ₁	l ₁	d ₂	l ₂	l ₃	Bearing type
60624.W1002	Nitrile	20	38,1 (1,5")	31.80	5/16-18"	16.00	3.05	A
60624.W1003	Nitrile	35	38,1 (1,5")	31.80	5/16-18"	16.00	3.05	A
60624.W1006	Nitrile	60	38,1 (1,5")	31.80	5/16-18"	16.00	3.05	A
60624.W1008	Nitrile	80	38,1 (1,5")	31.80	5/16-18"	16.00	3.05	A
60624.W1012	Nitrile	20	50,8 (2,0")	23.37	1/2-13"	27.94	3.05	B
60624.W1013	Nitrile	35	50,8 (2,0")	23.37	1/2-13"	27.94	3.05	B
60624.W1016	Nitrile	60	50,8 (2,0")	23.37	1/2-13"	27.94	3.05	B
60624.W1018	Nitrile	80	50,8 (2,0")	23.37	1/2-13"	27.94	3.05	B
60624.W1022	Nitrile	20	50,8 (2,0")	49.28	1/2-13"	35.81	6.35	C
60624.W1023	Nitrile	35	50,8 (2,0")	49.28	1/2-13"	35.81	6.35	C
60624.W1026	Nitrile	60	50,8 (2,0")	49.28	1/2-13"	35.81	6.35	C
60624.W1028	Nitrile	80	50,8 (2,0")	49.28	1/2-13"	35.81	6.35	C
60624.W1032	Nitrile	20	63,5 (2,5")	23.37	1/2-13"	27.94	3.05	B
60624.W1033	Nitrile	35	63,5 (2,5")	23.37	1/2-13"	27.94	3.05	B
60624.W1036	Nitrile	60	63,5 (2,5")	23.37	1/2-13"	27.94	3.05	B
60624.W1038	Nitrile	80	63,5 (2,5")	23.37	1/2-13"	27.94	3.05	B
60624.W1042	Nitrile	20	63,5 (2,5")	49.28	1/2-13"	35.81	6.35	C
60624.W1043	Nitrile	35	63,5 (2,5")	49.28	1/2-13"	35.81	6.35	C
60624.W1046	Nitrile	60	63,5 (2,5")	49.28	1/2-13"	35.81	6.35	C
60624.W1048	Nitrile	80	63,5 (2,5")	49.28	1/2-13"	35.81	6.35	C
60624.W1052	Nitrile	20	101,6 (4,0")	23.37	1/2-13"	27.94	3.05	B
60624.W1053	Nitrile	35	101,6 (4,0")	23.37	1/2-13"	27.94	3.05	B
60624.W1056	Nitrile	60	101,6 (4,0")	23.37	1/2-13"	27.94	3.05	B
60624.W1058	Nitrile	80	101,6 (4,0")	23.37	1/2-13"	27.94	3.05	B
60624.W1062	Nitrile	20	101,6 (4,0")	49.28	1/2-13"	35.56	6.35	C
60624.W1063	Nitrile	35	101,6 (4,0")	49.28	1/2-13"	35.56	6.35	C
60624.W1066	Nitrile	60	101,6 (4,0")	49.28	1/2-13"	35.56	6.35	C
60624.W1068	Nitrile	60	101,6 (4,0")	49.28	1/2-13"	35.56	6.35	C
60624.W2003	Urethane	35	38,1 (1,5")	31.80	5/16-18"	16.00	3.05	A
60624.W2006	Urethane	60	38,1 (1,5")	31.80	5/16-18"	16.00	3.05	A
60624.W2008	Urethane	80	38,1 (1,5")	31.80	5/16-18"	16.00	3.05	A
60624.W2013	Urethane	35	50,8 (2,0")	23.37	1/2-13"	27.94	3.05	B
60624.W2016	Urethane	60	50,8 (2,0")	23.37	1/2-13"	27.94	3.05	B
60624.W2018	Urethane	80	50,8 (2,0")	23.37	1/2-13"	27.94	3.05	B
60624.W2023	Urethane	35	50,8 (2,0")	49.28	1/2-13"	35.81	6.35	C



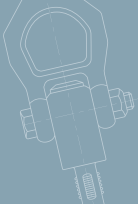
Solid Roller stud mount



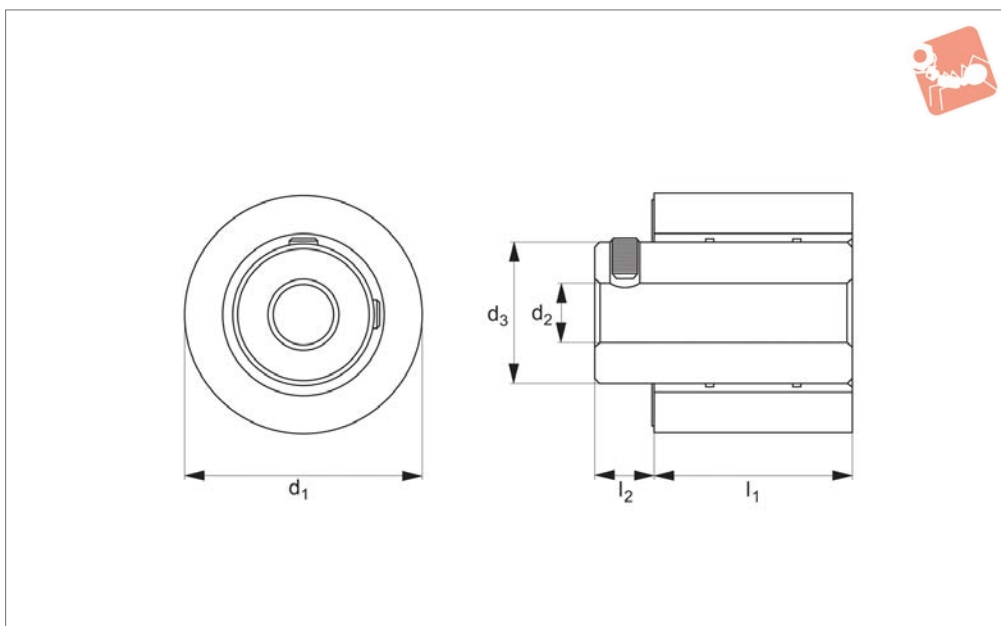
Rollers & Bumpers

Order No.	Material	Durometer	d ₁	l ₁	d ₂	l ₂	l ₃	Bearing type
60624.W2026	Urethane	60	50,8 (2,0")	49.28	1/2-13"	35.81	6.35	C
60624.W2028	Urethane	80	50,8 (2,0")	49.28	1/2-13"	35.81	6.35	C
60624.W2033	Urethane	35	63,5 (2,5")	23.37	1/2-13"	27.94	3.05	B
60624.W2036	Urethane	60	63,5 (2,5")	23.37	1/2-13"	27.94	3.05	B
60624.W2038	Urethane	80	63,5 (2,5")	23.37	1/2-13"	27.94	3.05	B
60624.W2043	Urethane	35	63,5 (2,5")	49.28	1/2-13"	35.81	6.35	C
60624.W2046	Urethane	60	63,5 (2,5")	49.28	1/2-13"	35.81	6.35	C
60624.W2048	Urethane	80	63,5 (2,5")	49.28	1/2-13"	35.81	6.35	C
60624.W2053	Urethane	35	101,6 (4,0")	23.37	1/2-13"	27.94	3.05	B
60624.W2056	Urethane	60	101,6 (4,0")	23.37	1/2-13"	27.94	3.05	B
60624.W2058	Urethane	80	101,6 (4,0")	23.37	1/2-13"	27.94	3.05	B
60624.W2063	Urethane	35	101,6 (4,0")	49.28	1/2-13"	35.56	6.35	C
60624.W2066	Urethane	60	101,6 (4,0")	49.28	1/2-13"	35.56	6.35	C
60624.W2068	Urethane	60	101,6 (4,0")	49.28	1/2-13"	35.56	6.35	C
60624.W2073	Urethane	35	127,0 (5,0")	49.28	1/2-13"	35.56	6.35	C
60624.W2076	Urethane	60	127,0 (5,0")	49.28	1/2-13"	35.56	6.35	C
60624.W2078	Urethane	80	127,0 (5,0")	49.28	1/2-13"	35.56	6.35	C
60624.W2083	Urethane	35	152,4 (6,0")	49.28	1/2-13"	35.56	6.35	C
60624.W2086	Urethane	60	152,4 (6,0")	49.28	1/2-13"	35.56	6.35	C
60624.W2088	Urethane	80	152,4 (6,0")	49.28	1/2-13"	35.56	6.35	C
60624.W3002	Neoprene	20	38,1 (1,5")	31.80	5/16-18"	16.00	3.05	A
60624.W3003	Neoprene	35	38,1 (1,5")	31.80	5/16-18"	16.00	3.05	A
60624.W3006	Neoprene	60	38,1 (1,5")	31.80	5/16-18"	16.00	3.05	A
60624.W3008	Neoprene	80	38,1 (1,5")	31.80	5/16-18"	16.00	3.05	A
60624.W3012	Neoprene	20	50,8 (2,0")	23.37	1/2-13"	27.94	3.05	B
60624.W3013	Neoprene	35	50,8 (2,0")	23.37	1/2-13"	27.94	3.05	B
60624.W3016	Neoprene	60	50,8 (2,0")	23.37	1/2-13"	27.94	3.05	B
60624.W3018	Neoprene	80	50,8 (2,0")	23.37	1/2-13"	27.94	3.05	B
60624.W3022	Neoprene	20	50,8 (2,0")	49.28	1/2-13"	35.81	6.35	C
60624.W3023	Neoprene	35	50,8 (2,0")	49.28	1/2-13"	35.81	6.35	C
60624.W3026	Neoprene	60	50,8 (2,0")	49.28	1/2-13"	35.81	6.35	C
60624.W3028	Neoprene	80	50,8 (2,0")	49.28	1/2-13"	35.81	6.35	C
60624.W3032	Neoprene	20	63,5 (2,5")	23.37	1/2-13"	27.94	3.05	B
60624.W3033	Neoprene	35	63,5 (2,5")	23.37	1/2-13"	27.94	3.05	B
60624.W3036	Neoprene	60	63,5 (2,5")	23.37	1/2-13"	27.94	3.05	B
60624.W3038	Neoprene	80	63,5 (2,5")	23.37	1/2-13"	27.94	3.05	B
60624.W3042	Neoprene	20	63,5 (2,5")	49.28	1/2-13"	35.81	6.35	C
60624.W3043	Neoprene	35	63,5 (2,5")	49.28	1/2-13"	35.81	6.35	C
60624.W3046	Neoprene	60	63,5 (2,5")	49.28	1/2-13"	35.81	6.35	C
60624.W3048	Neoprene	80	63,5 (2,5")	49.28	1/2-13"	35.81	6.35	C
60624.W3052	Neoprene	20	101,6 (4,0")	23.37	1/2-13"	27.94	3.05	B
60624.W3053	Neoprene	35	101,6 (4,0")	23.37	1/2-13"	27.94	3.05	B
60624.W3056	Neoprene	60	101,6 (4,0")	23.37	1/2-13"	27.94	3.05	B
60624.W3058	Neoprene	80	101,6 (4,0")	23.37	1/2-13"	27.94	3.05	B
60624.W3062	Neoprene	20	101,6 (4,0")	49.28	1/2-13"	35.56	6.35	C
60624.W3063	Neoprene	35	101,6 (4,0")	49.28	1/2-13"	35.56	6.35	C
60624.W3066	Neoprene	60	101,6 (4,0")	49.28	1/2-13"	35.56	6.35	C
60624.W3068	Neoprene	60	101,6 (4,0")	49.28	1/2-13"	35.56	6.35	C

ROLLERS & BUMPERS



60626



Material

Nitrile, urethane or neoprene bonded to a steel insert.

Hardness from 20-80 durometer (Shore A).

Technical Notes

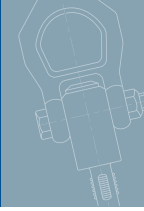
Designed to be mounted onto a shaft. A

hub extends past the roller and is supplied with two set screws at 90°.

Order No.	Material	Durometer	d_1	l_1	d_2	d_3	l_2
60626.W1002	Nitrile	20	38,10 (1,5")	22.36	31.75	12,72/12,83	9.65
60626.W1003	Nitrile	35	38,10 (1,5")	22.36	31.75	12,72/12,83	9.65
60626.W1006	Nitrile	60	38,10 (1,5")	22.36	31.75	12,72/12,83	9.65
60626.W1008	Nitrile	80	38,10 (1,5")	22.36	31.75	12,72/12,83	9.65
60626.W1012	Nitrile	20	50,80 (2,0")	31.75	23.37	12,72/12,83	12.70
60626.W1013	Nitrile	35	50,80 (2,0")	31.75	23.37	12,72/12,83	12.70
60626.W1016	Nitrile	60	50,80 (2,0")	31.75	23.37	12,72/12,83	12.70
60626.W1018	Nitrile	80	50,80 (2,0")	31.75	23.37	12,72/12,83	12.70
60626.W1022	Nitrile	20	50,80 (2,0")	31.75	23.37	19,08/19,20	12.70
60626.W1023	Nitrile	35	50,80 (2,0")	31.75	23.37	19,08/19,20	12.70
60626.W1026	Nitrile	60	50,80 (2,0")	31.75	23.37	19,08/19,20	12.70
60626.W1028	Nitrile	80	50,80 (2,0")	31.75	23.37	19,08/19,20	12.70
60626.W1032	Nitrile	20	50,80 (2,0")	31.75	49.28	12,73/12,83	12.70
60626.W1033	Nitrile	35	50,80 (2,0")	31.75	49.28	12,73/12,83	12.70
60626.W1036	Nitrile	60	50,80 (2,0")	31.75	49.28	12,73/12,83	12.70
60626.W1038	Nitrile	80	50,80 (2,0")	31.75	49.28	12,73/12,83	12.70
60626.W1042	Nitrile	20	50,80 (2,0")	31.75	49.28	19,08/19,20	12.70
60626.W1043	Nitrile	35	50,80 (2,0")	31.75	49.28	19,08/19,20	12.70
60626.W1046	Nitrile	60	50,80 (2,0")	31.75	49.28	19,08/19,20	12.70
60626.W1048	Nitrile	80	50,80 (2,0")	31.75	49.28	19,08/19,20	12.70
60626.W1052	Nitrile	20	63,50 (2,5")	31.75	23.37	12,73/12,83	12.70
60626.W1053	Nitrile	35	63,50 (2,5")	31.75	23.37	12,73/12,83	12.70
60626.W1056	Nitrile	60	63,50 (2,5")	31.75	23.37	12,73/12,83	12.70
60626.W1058	Nitrile	80	63,50 (2,5")	31.75	23.37	12,73/12,83	12.70
60626.W1062	Nitrile	20	63,50 (2,5")	34.79	23.37	19,08/19,20	12.70
60626.W1063	Nitrile	35	63,50 (2,5")	34.79	23.37	19,08/19,20	12.70
60626.W1066	Nitrile	60	63,50 (2,5")	34.79	23.37	19,08/19,20	12.70
60626.W1068	Nitrile	80	63,50 (2,5")	34.79	23.37	19,08/19,20	12.70
60626.W1072	Nitrile	20	63,50 (2,5")	31.75	49.28	12,73/12,83	12.70
60626.W1073	Nitrile	35	63,50 (2,5")	31.75	49.28	12,73/12,83	12.70
60626.W1076	Nitrile	60	63,50 (2,5")	31.75	49.28	12,73/12,83	12.70
60626.W1078	Nitrile	80	63,50 (2,5")	31.75	49.28	12,73/12,83	12.70
60626.W1082	Nitrile	20	63,50 (2,5")	31.75	49.28	19,08/19,20	12.70
60626.W1083	Nitrile	35	63,50 (2,5")	31.75	49.28	19,08/19,20	12.70
60626.W1086	Nitrile	60	63,50 (2,5")	31.75	49.28	19,08/19,20	12.70



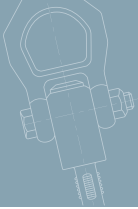
Solid Roller shaft drive



Rollers & Bumpers

Order No.	Material	Durometer	d ₁	l ₁	d ₂	d ₃	l ₂
60626.W1088	Nitrile	80	63,50 (2,5")	31.75	49.28	19,08/19,20	12.70
60626.W1092	Nitrile	20	63,50 (2,5")	34.79	49.28	25,42/25,55	12.70
60626.W1093	Nitrile	35	63,50 (2,5")	34.79	49.28	25,42/25,55	12.70
60626.W1096	Nitrile	60	63,50 (2,5")	34.79	49.28	25,42/25,55	12.70
60626.W1098	Nitrile	80	63,50 (2,5")	34.79	49.28	25,42/25,55	12.70
60626.W1102	Nitrile	20	101,6 (4,0")	31.75	23.37	12,73/12,83	12.70
60626.W1103	Nitrile	35	101,6 (4,0")	31.75	23.37	12,73/12,83	12.70
60626.W1106	Nitrile	60	101,6 (4,0")	31.75	23.37	12,73/12,83	12.70
60626.W1108	Nitrile	80	101,6 (4,0")	31.75	23.37	12,73/12,83	12.70
60626.W1112	Nitrile	20	101,6 (4,0")	31.75	23.37	19,08/19,20	12.70
60626.W1113	Nitrile	35	101,6 (4,0")	31.75	23.37	19,08/19,20	12.70
60626.W1116	Nitrile	60	101,6 (4,0")	31.75	23.37	19,08/19,20	12.70
60626.W1118	Nitrile	80	101,6 (4,0")	31.75	23.37	19,08/19,20	12.70
60626.W1122	Nitrile	20	101,6 (4,0")	31.75	49.28	12,73/12,83	12.70
60626.W1123	Nitrile	35	101,6 (4,0")	31.75	49.28	12,73/12,83	12.70
60626.W1126	Nitrile	60	101,6 (4,0")	31.75	49.28	12,73/12,83	12.70
60626.W1128	Nitrile	80	101,6 (4,0")	31.75	49.28	12,73/12,83	12.70
60626.W1132	Nitrile	20	101,6 (4,0")	31.75	49.28	19,08/19,20	12.70
60626.W1133	Nitrile	35	101,6 (4,0")	31.75	49.28	19,08/19,20	12.70
60626.W1136	Nitrile	60	101,6 (4,0")	31.75	49.28	19,08/19,20	12.70
60626.W1138	Nitrile	80	101,6 (4,0")	31.75	49.28	19,08/19,20	12.70
60626.W1146	Nitrile	60	101,6 (4,0")	34.80	49.28	31,78/31,90	12.70
60626.W2003	Urethane	35	38,10 (1,5")	22.36	31.75	12,72/12,83	9.65
60626.W2006	Urethane	60	38,10 (1,5")	22.36	31.75	12,72/12,83	9.65
60626.W2008	Urethane	80	38,10 (1,5")	22.36	31.75	12,72/12,83	9.65
60626.W2013	Urethane	35	50,80 (2,0")	31.75	23.37	12,72/12,83	12.70
60626.W2016	Urethane	60	50,80 (2,0")	31.75	23.37	12,72/12,83	12.70
60626.W2018	Urethane	80	50,80 (2,0")	31.75	23.37	12,72/12,83	12.70
60626.W2023	Urethane	35	50,80 (2,0")	31.75	23.37	19,08/19,20	12.70
60626.W2026	Urethane	60	50,80 (2,0")	31.75	23.37	19,08/19,20	12.70
60626.W2028	Urethane	80	50,80 (2,0")	31.75	23.37	19,08/19,20	12.70
60626.W2033	Urethane	35	50,80 (2,0")	31.75	49.28	12,73/12,83	12.70
60626.W2036	Urethane	60	50,80 (2,0")	31.75	49.28	12,73/12,83	12.70
60626.W2038	Urethane	80	50,80 (2,0")	31.75	49.28	12,73/12,83	12.70
60626.W2043	Urethane	35	50,80 (2,0")	31.75	49.28	19,08/19,20	12.70
60626.W2046	Urethane	60	50,80 (2,0")	31.75	49.28	19,08/19,20	12.70
60626.W2048	Urethane	80	50,80 (2,0")	31.75	49.28	19,08/19,20	12.70
60626.W2053	Urethane	35	63,50 (2,5")	31.75	23.37	12,73/12,83	12.70
60626.W2056	Urethane	60	63,50 (2,5")	31.75	23.37	12,73/12,83	12.70
60626.W2058	Urethane	80	63,50 (2,5")	31.75	23.37	12,73/12,83	12.70
60626.W2063	Urethane	35	63,50 (2,5")	34.79	23.37	19,08/19,20	12.70
60626.W2066	Urethane	60	63,50 (2,5")	34.79	23.37	19,08/19,20	12.70
60626.W2068	Urethane	80	63,50 (2,5")	34.79	23.37	19,08/19,20	12.70
60626.W2073	Urethane	35	63,50 (2,5")	31.75	49.28	12,73/12,83	12.70
60626.W2076	Urethane	60	63,50 (2,5")	31.75	49.28	12,73/12,83	12.70
60626.W2078	Urethane	80	63,50 (2,5")	31.75	49.28	12,73/12,83	12.70
60626.W2083	Urethane	35	63,50 (2,5")	31.75	49.28	19,08/19,20	12.70
60626.W2086	Urethane	60	63,50 (2,5")	31.75	49.28	19,08/19,20	12.70
60626.W2088	Urethane	80	63,50 (2,5")	31.75	49.28	19,08/19,20	12.70
60626.W2093	Urethane	35	63,50 (2,5")	34.79	49.28	25,42/25,55	12.70
60626.W2096	Urethane	60	63,50 (2,5")	34.79	49.28	25,42/25,55	12.70
60626.W2098	Urethane	80	63,50 (2,5")	34.79	49.28	25,42/25,55	12.70
60626.W2103	Urethane	35	101,6 (4,0")	31.75	23.37	12,73/12,83	12.70
60626.W2106	Urethane	60	101,6 (4,0")	31.75	23.37	12,73/12,83	12.70
60626.W2108	Urethane	80	101,6 (4,0")	31.75	23.37	12,73/12,83	12.70
60626.W2116	Urethane	60	101,6 (4,0")	31.75	23.37	19,08/19,20	12.70
60626.W2118	Urethane	80	101,6 (4,0")	31.75	23.37	19,08/19,20	12.70
60626.W2123	Urethane	35	101,6 (4,0")	31.75	49.28	12,73/12,83	12.70
60626.W2126	Urethane	60	101,6 (4,0")	31.75	49.28	12,73/12,83	12.70
60626.W2128	Urethane	80	101,6 (4,0")	31.75	49.28	12,73/12,83	12.70
60626.W2133	Urethane	35	101,6 (4,0")	31.75	49.28	19,08/19,20	12.70
60626.W2136	Urethane	60	101,6 (4,0")	31.75	49.28	19,08/19,20	12.70
60626.W2138	Urethane	80	101,6 (4,0")	31.75	49.28	19,08/19,20	12.70
60626.W2146	Urethane	60	101,6 (4,0")	34.80	49.28	31,78/31,90	12.70
60626.W2148	Urethane	80	101,6 (4,0")	34.80	49.28	31,78/31,90	12.70
60626.W2153	Urethane	35	127,0 (5,0")	31.75	49.28	12,72/12,83	12.70
60626.W2156	Urethane	60	127,0 (5,0")	31.75	49.28	12,72/12,83	12.70
60626.W2158	Urethane	80	127,0 (5,0")	31.75	49.28	12,72/12,83	12.70
60626.W2163	Urethane	35	127,0 (5,0")	31.75	49.28	19,07/19,20	12.70

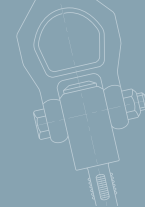
ROLLERS & BUMPERS



Order No.	Material	Durometer	d ₁	l ₁	d ₂	d ₃	l ₂
60626.W2166	Urethane	60	127,0 (5,0")	31.75	49.28	19,07/19,20	12.70
60626.W2168	Urethane	80	127,0 (5,0")	31.75	49.28	19,07/19,20	12.70
60626.W2173	Urethane	35	127,0 (5,0")	41.40	49.28	31,78/31,90	12.70
60626.W2176	Urethane	60	127,0 (5,0")	41.40	49.28	31,78/31,90	12.70
60626.W2178	Urethane	80	127,0 (5,0")	41.40	49.28	31,78/31,90	12.70
60626.W2183	Urethane	35	152,4 (6,0")	31.75	49.28	12,73/12,83	12.70
60626.W2186	Urethane	60	152,4 (6,0")	31.75	49.28	12,73/12,83	12.70
60626.W2188	Urethane	80	152,4 (6,0")	31.75	49.28	12,73/12,83	12.70
60626.W2193	Urethane	35	152,4 (6,0")	31.75	49.28	19,08/19,20	12.70
60626.W2196	Urethane	60	152,4 (6,0")	31.75	49.28	19,08/19,20	12.70
60626.W2198	Urethane	80	152,4 (6,0")	31.75	49.28	19,08/19,20	12.70
60626.W2203	Urethane	35	152,4 (6,0")	41.40	49.28	31,78/31,90	12.70
60626.W2206	Urethane	60	152,4 (6,0")	41.40	49.28	31,78/31,90	12.70
60626.W2208	Urethane	80	152,4 (6,0")	41.40	49.28	31,78/31,90	12.70
60626.W3002	Neoprene	20	38,10 (1,5")	22.36	31.75	12,72/12,83	9.65
60626.W3003	Neoprene	35	38,10 (1,5")	22.36	31.75	12,72/12,83	9.65
60626.W3006	Neoprene	60	38,10 (1,5")	22.36	31.75	12,72/12,83	9.65
60626.W3008	Neoprene	80	38,10 (1,5")	22.36	31.75	12,72/12,83	9.65
60626.W3012	Neoprene	20	50,80 (2,0")	31.75	23.37	12,72/12,83	12.70
60626.W3013	Neoprene	35	50,80 (2,0")	31.75	23.37	12,72/12,83	12.70
60626.W3016	Neoprene	60	50,80 (2,0")	31.75	23.37	12,72/12,83	12.70
60626.W3018	Neoprene	80	50,80 (2,0")	31.75	23.37	12,72/12,83	12.70
60626.W3022	Neoprene	20	50,80 (2,0")	31.75	23.37	19,08/19,20	12.70
60626.W3023	Neoprene	35	50,80 (2,0")	31.75	23.37	19,08/19,20	12.70
60626.W3026	Neoprene	60	50,80 (2,0")	31.75	23.37	19,08/19,20	12.70
60626.W3028	Neoprene	80	50,80 (2,0")	31.75	23.37	19,08/19,20	12.70
60626.W3032	Neoprene	20	50,80 (2,0")	31.75	49.28	12,73/12,83	12.70
60626.W3033	Neoprene	35	50,80 (2,0")	31.75	49.28	12,73/12,83	12.70
60626.W3036	Neoprene	60	50,80 (2,0")	31.75	49.28	12,73/12,83	12.70
60626.W3038	Neoprene	80	50,80 (2,0")	31.75	49.28	12,73/12,83	12.70
60626.W3042	Neoprene	20	50,80 (2,0")	31.75	49.28	19,08/19,20	12.70
60626.W3043	Neoprene	35	50,80 (2,0")	31.75	49.28	19,08/19,20	12.70
60626.W3046	Neoprene	60	50,80 (2,0")	31.75	49.28	19,08/19,20	12.70
60626.W3048	Neoprene	80	50,80 (2,0")	31.75	49.28	19,08/19,20	12.70
60626.W3052	Neoprene	20	63,50 (2,5")	31.75	23.37	12,73/12,83	12.70
60626.W3053	Neoprene	35	63,50 (2,5")	31.75	23.37	12,73/12,83	12.70
60626.W3056	Neoprene	60	63,50 (2,5")	31.75	23.37	12,73/12,83	12.70
60626.W3058	Neoprene	80	63,50 (2,5")	31.75	23.37	12,73/12,83	12.70
60626.W3062	Neoprene	20	63,50 (2,5")	34.79	23.37	19,08/19,20	12.70
60626.W3063	Neoprene	35	63,50 (2,5")	34.79	23.37	19,08/19,20	12.70
60626.W3066	Neoprene	60	63,50 (2,5")	34.79	23.37	19,08/19,20	12.70
60626.W3068	Neoprene	80	63,50 (2,5")	34.79	23.37	19,08/19,20	12.70
60626.W3072	Neoprene	20	63,50 (2,5")	31.75	49.28	12,73/12,83	12.70
60626.W3073	Neoprene	35	63,50 (2,5")	31.75	49.28	12,73/12,83	12.70
60626.W3076	Neoprene	60	63,50 (2,5")	31.75	49.28	12,73/12,83	12.70
60626.W3078	Neoprene	80	63,50 (2,5")	31.75	49.28	12,73/12,83	12.70
60626.W3082	Neoprene	20	63,50 (2,5")	31.75	49.28	19,08/19,20	12.70
60626.W3083	Neoprene	35	63,50 (2,5")	31.75	49.28	19,08/19,20	12.70
60626.W3086	Neoprene	60	63,50 (2,5")	31.75	49.28	19,08/19,20	12.70
60626.W3088	Neoprene	80	63,50 (2,5")	31.75	49.28	19,08/19,20	12.70
60626.W3092	Neoprene	20	63,50 (2,5")	34.79	49.28	25,42/25,55	12.70
60626.W3093	Neoprene	35	63,50 (2,5")	34.79	49.28	25,42/25,55	12.70
60626.W3096	Neoprene	60	63,50 (2,5")	34.79	49.28	25,42/25,55	12.70
60626.W3098	Neoprene	80	63,50 (2,5")	34.79	49.28	25,42/25,55	12.70
60626.W3102	Neoprene	20	101,6 (4,0")	31.75	23.37	12,73/12,83	12.70
60626.W3103	Neoprene	35	101,6 (4,0")	31.75	23.37	12,73/12,83	12.70
60626.W3106	Neoprene	60	101,6 (4,0")	31.75	23.37	12,73/12,83	12.70
60626.W3108	Neoprene	80	101,6 (4,0")	31.75	23.37	12,73/12,83	12.70
60626.W3112	Neoprene	20	101,6 (4,0")	31.75	23.37	19,08/19,20	12.70
60626.W3113	Neoprene	35	101,6 (4,0")	31.75	23.37	19,08/19,20	12.70
60626.W3116	Neoprene	60	101,6 (4,0")	31.75	23.37	19,08/19,20	12.70
60626.W3118	Neoprene	80	101,6 (4,0")	31.75	23.37	19,08/19,20	12.70
60626.W3122	Neoprene	20	101,6 (4,0")	31.75	49.28	12,73/12,83	12.70
60626.W3123	Neoprene	35	101,6 (4,0")	31.75	49.28	12,73/12,83	12.70
60626.W3126	Neoprene	60	101,6 (4,0")	31.75	49.28	12,73/12,83	12.70
60626.W3128	Neoprene	80	101,6 (4,0")	31.75	49.28	12,73/12,83	12.70
60626.W3132	Neoprene	20	101,6 (4,0")	31.75	49.28	19,08/19,20	12.70
60626.W3133	Neoprene	35	101,6 (4,0")	31.75	49.28	19,08/19,20	12.70
60626.W3136	Neoprene	60	101,6 (4,0")	31.75	49.28	19,08/19,20	12.70



Solid Roller shaft drive

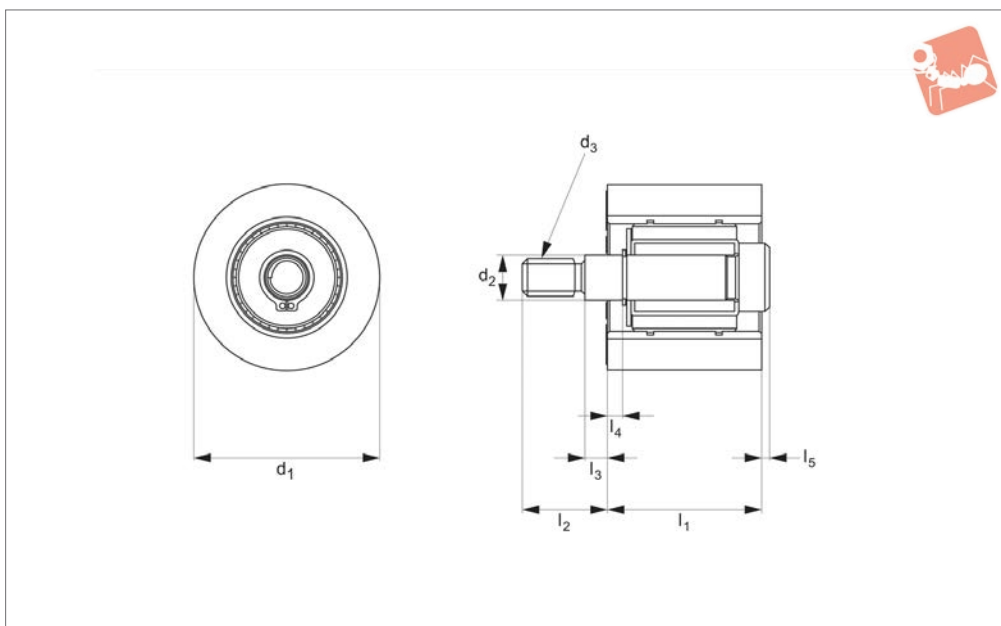


Rollers & Bumpers

Order No.	Material	Durometer	d ₁	l ₁	d ₂	d ₃	l ₂
60626.W3138	Neoprene	80	101,6 (4,0")	31.75	49.28	19,08/19,20	12.70
60626.W3143	Neoprene	60	101,6 (4,0")	34.80	49.28	31,78/31,90	12.70
60626.W3146	Neoprene	60	101,6 (4,0")	34.80	49.28	31,78/31,90	12.70



60628



Material

Nitrile, urethane or neoprene bonded to a steel insert.
Hardness from 20-80 durometer (Shore A).

Technical Notes

A clutch bearing allows the roller to turn in

only one direction. Available in left or right hand rotation (with the stud pointed upwards, a right hand rotation turns clockwise.)

Supplied with type I bearing, other $d_1=38,1$ roller which is supplied with type h

bearing.

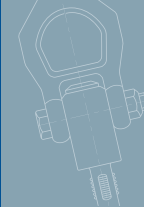
Tips

Type R = Right handed clutch bearing.
Type L = Left handed clutch bearing.
See technical introduction pages for further information.

Order No.	Type	Material	Durometer	d_1	l_1	d_2 -0 +0.05	d_3	l_2	l_3	l_4	l_5
60628.W1002	Right	Nitrile	20	38.10	31.75	9.42	5/16-18"	17.53	4.83	3.05	1.52
60628.W1003	Right	Nitrile	35	38.10	31.75	9.42	5/16-18"	17.53	4.83	3.05	1.52
60628.W1006	Right	Nitrile	60	38.10	31.75	9.42	5/16-18"	17.53	4.83	3.05	1.52
60628.W1008	Right	Nitrile	80	38.10	31.75	9.42	5/16-18"	17.53	4.83	3.05	1.52
60628.W1012	Left	Nitrile	20	38.10	31.75	9.42	5/16-18"	17.53	4.83	3.05	1.52
60628.W1013	Left	Nitrile	35	38.10	31.75	9.42	5/16-18"	17.53	4.83	3.05	1.52
60628.W1016	Left	Nitrile	60	38.10	31.75	9.42	5/16-18"	17.53	4.83	3.05	1.52
60628.W1018	Left	Nitrile	80	38.10	31.75	9.42	5/16-18"	17.53	4.83	3.05	1.52
60628.W1022	Right	Nitrile	20	50.80	23.37	15.77	1/2-13"	45.47	26.42	3.05	10.41
60628.W1023	Right	Nitrile	35	50.80	23.37	15.77	1/2-13"	45.47	26.42	3.05	10.41
60628.W1026	Right	Nitrile	60	50.80	23.37	15.77	1/2-13"	45.47	26.42	3.05	10.41
60628.W1028	Right	Nitrile	80	50.80	23.37	15.77	1/2-13"	45.47	26.42	3.05	10.41
60628.W1032	Left	Nitrile	20	50.80	23.37	15.77	1/2-13"	45.47	26.42	3.05	10.41
60628.W1033	Left	Nitrile	35	50.80	23.37	15.77	1/2-13"	45.47	26.42	3.05	10.41
60628.W1036	Left	Nitrile	60	50.80	23.37	15.77	1/2-13"	45.47	26.42	3.05	10.41
60628.W1038	Left	Nitrile	80	50.80	23.37	15.77	1/2-13"	45.47	26.42	3.05	10.41
60628.W1042	Right	Nitrile	20	50.80	49.28	15.77	1/2-13"	31.75	12.70	3.05	-
60628.W1043	Right	Nitrile	35	50.80	49.28	15.77	1/2-13"	31.75	12.70	3.05	-
60628.W1046	Right	Nitrile	60	50.80	49.28	15.77	1/2-13"	31.75	12.70	3.05	-
60628.W1048	Right	Nitrile	80	50.80	49.28	15.77	1/2-13"	31.75	12.70	3.05	-
60628.W1052	Left	Nitrile	20	50.80	49.28	15.77	1/2-13"	31.75	12.70	3.05	-
60628.W1053	Left	Nitrile	35	50.80	49.28	15.77	1/2-13"	31.75	12.70	3.05	-
60628.W1056	Left	Nitrile	60	50.80	49.28	15.77	1/2-13"	31.75	12.70	3.05	-
60628.W1058	Left	Nitrile	80	50.80	49.28	15.77	1/2-13"	31.75	12.70	3.05	-
60628.W1062	Right	Nitrile	20	63.50	23.27	15.77	1/2-13"	31.75	26.42	3.05	10.41
60628.W1063	Right	Nitrile	35	63.50	23.27	15.77	1/2-13"	31.75	26.42	3.05	10.41
60628.W1066	Right	Nitrile	60	63.50	23.27	15.77	1/2-13"	31.75	26.42	3.05	10.41
60628.W1068	Right	Nitrile	80	63.50	23.27	15.77	1/2-13"	31.75	26.42	3.05	10.41
60628.W1072	Left	Nitrile	20	63.50	23.27	15.77	1/2-13"	31.75	26.42	3.05	10.41
60628.W1073	Left	Nitrile	35	63.50	23.27	15.77	1/2-13"	31.75	26.42	3.05	10.41
60628.W1076	Left	Nitrile	60	63.50	23.27	15.77	1/2-13"	31.75	26.42	3.05	10.41



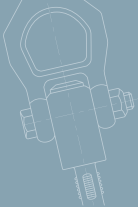
Solid Roller clutch bearing



Rollers & Bumpers

Order No.	Type	Material	Durometer	d ₁	l ₁	d ₂ -0.1+0.05	d ₃	l ₂	l ₃	l ₄	l ₅
60628.W1078	Left	Nitrile	80	63.50	23.27	15.77	1/2-13"	31.75	26.42	3.05	10.41
60628.W1082	Right	Nitrile	20	63.50	49.28	15.77	1/2-13"	31.75	12.70	3.05	-
60628.W1083	Right	Nitrile	35	63.50	49.28	15.77	1/2-13"	31.75	12.70	3.05	-
60628.W1086	Right	Nitrile	60	63.50	49.28	15.77	1/2-13"	31.75	12.70	3.05	-
60628.W1088	Right	Nitrile	80	63.50	49.28	15.77	1/2-13"	31.75	12.70	3.05	-
60628.W1092	Left	Nitrile	20	63.50	49.28	15.77	1/2-13"	31.75	12.70	3.05	-
60628.W1093	Left	Nitrile	35	63.50	49.28	15.77	1/2-13"	31.75	12.70	3.05	-
60628.W1096	Left	Nitrile	60	63.50	49.28	15.77	1/2-13"	31.75	12.70	3.05	-
60628.W1098	Left	Nitrile	80	63.50	49.28	15.77	1/2-13"	31.75	12.70	3.05	-
60628.W1102	Right	Nitrile	20	101.6	23.27	15.77	1/2-13"	31.75	26.42	3.05	10.41
60628.W1103	Right	Nitrile	35	101.6	23.27	15.77	1/2-13"	31.75	26.42	3.05	10.41
60628.W1106	Right	Nitrile	60	101.6	23.27	15.77	1/2-13"	31.75	26.42	3.05	10.41
60628.W1108	Right	Nitrile	80	101.6	23.27	15.77	1/2-13"	31.75	26.42	3.05	10.41
60628.W1112	Left	Nitrile	20	101.6	23.27	15.77	1/2-13"	31.75	26.42	3.05	10.41
60628.W1113	Left	Nitrile	35	101.6	23.27	15.77	1/2-13"	31.75	26.42	3.05	10.41
60628.W1116	Left	Nitrile	60	101.6	23.27	15.77	1/2-13"	31.75	26.42	3.05	10.41
60628.W1118	Left	Nitrile	80	101.6	23.27	15.77	1/2-13"	31.75	26.42	3.05	10.41
60628.W1122	Right	Nitrile	20	101.6	49.28	15.77	1/2-13"	31.75	12.70	3.05	-
60628.W1123	Right	Nitrile	35	101.6	49.28	15.77	1/2-13"	31.75	12.70	3.05	-
60628.W1126	Right	Nitrile	60	101.6	49.28	15.77	1/2-13"	31.75	12.70	3.05	-
60628.W1128	Right	Nitrile	80	101.6	49.28	15.77	1/2-13"	31.75	12.70	3.05	-
60628.W1132	Left	Nitrile	20	101.6	49.28	15.77	1/2-13"	31.75	12.70	3.05	-
60628.W1133	Left	Nitrile	35	101.6	49.28	15.77	1/2-13"	31.75	12.70	3.05	-
60628.W1136	Left	Nitrile	60	101.6	49.28	15.77	1/2-13"	31.75	12.70	3.05	-
60628.W1138	Left	Nitrile	80	101.6	49.28	15.77	1/2-13"	31.75	12.70	3.05	-
60628.W2003	Right	Urethane	35	38.10	31.75	9.42	5/16-18"	17.53	4.83	3.05	1.52
60628.W2006	Right	Urethane	60	38.10	31.75	9.42	5/16-18"	17.53	4.83	3.05	1.52
60628.W2008	Right	Urethane	80	38.10	31.75	9.42	5/16-18"	17.53	4.83	3.05	1.52
60628.W2013	Left	Urethane	35	38.10	31.75	9.42	5/16-18"	17.53	4.83	3.05	1.52
60628.W2016	Left	Urethane	60	38.10	31.75	9.42	5/16-18"	17.53	4.83	3.05	1.52
60628.W2018	Left	Urethane	80	38.10	31.75	9.42	5/16-18"	17.53	4.83	3.05	1.52
60628.W2023	Right	Urethane	35	50.80	23.37	15.77	1/2-13"	45.47	26.42	3.05	10.41
60628.W2026	Right	Urethane	60	50.80	23.37	15.77	1/2-13"	45.47	26.42	3.05	10.41
60628.W2028	Right	Urethane	80	50.80	23.37	15.77	1/2-13"	45.47	26.42	3.05	10.41
60628.W2033	Left	Urethane	35	50.80	23.37	15.77	1/2-13"	45.47	26.42	3.05	10.41
60628.W2036	Left	Urethane	60	50.80	23.37	15.77	1/2-13"	45.47	26.42	3.05	10.41
60628.W2038	Left	Urethane	80	50.80	23.37	15.77	1/2-13"	45.47	26.42	3.05	10.41
60628.W2043	Right	Urethane	35	50.80	49.28	15.77	1/2-13"	31.75	12.70	3.05	-
60628.W2046	Right	Urethane	60	50.80	49.28	15.77	1/2-13"	31.75	12.70	3.05	-
60628.W2048	Right	Urethane	80	50.80	49.28	15.77	1/2-13"	31.75	12.70	3.05	-
60628.W2053	Left	Urethane	35	50.80	49.28	15.77	1/2-13"	31.75	12.70	3.05	-
60628.W2056	Left	Urethane	60	50.80	49.28	15.77	1/2-13"	31.75	12.70	3.05	-
60628.W2058	Left	Urethane	80	50.80	49.28	15.77	1/2-13"	31.75	12.70	3.05	-
60628.W2063	Right	Urethane	35	63.50	23.27	15.77	1/2-13"	31.75	26.42	3.05	10.41
60628.W2066	Right	Urethane	60	63.50	23.27	15.77	1/2-13"	31.75	26.42	3.05	10.41
60628.W2068	Right	Urethane	80	63.50	23.27	15.77	1/2-13"	31.75	26.42	3.05	10.41
60628.W2073	Left	Urethane	35	63.50	23.27	15.77	1/2-13"	31.75	26.42	3.05	10.41
60628.W2076	Left	Urethane	60	63.50	23.27	15.77	1/2-13"	31.75	26.42	3.05	10.41
60628.W2078	Left	Urethane	80	63.50	23.27	15.77	1/2-13"	31.75	26.42	3.05	10.41
60628.W2083	Right	Urethane	35	63.50	49.28	15.77	1/2-13"	31.75	12.70	3.05	-
60628.W2086	Right	Urethane	60	63.50	49.28	15.77	1/2-13"	31.75	12.70	3.05	-
60628.W2088	Right	Urethane	80	63.50	49.28	15.77	1/2-13"	31.75	12.70	3.05	-
60628.W2093	Left	Urethane	35	63.50	49.28	15.77	1/2-13"	31.75	12.70	3.05	-
60628.W2096	Left	Urethane	60	63.50	49.28	15.77	1/2-13"	31.75	12.70	3.05	-
60628.W2098	Left	Urethane	80	63.50	49.28	15.77	1/2-13"	31.75	12.70	3.05	-
60628.W2103	Right	Urethane	35	101.6	23.27	15.77	1/2-13"	31.75	26.42	3.05	10.41
60628.W2106	Right	Neoprene	60	101.6	23.27	15.77	1/2-13"	31.75	26.42	3.05	10.41
60628.W2108	Right	Urethane	60	101.6	23.27	15.77	1/2-13"	31.75	26.42	3.05	10.41
60628.W2113	Left	Urethane	80	101.6	23.27	15.77	1/2-13"	31.75	26.42	3.05	10.41
60628.W2116	Left	Urethane	35	101.6	23.27	15.77	1/2-13"	31.75	26.42	3.05	10.41
60628.W2118	Left	Urethane	60	101.6	23.27	15.77	1/2-13"	31.75	26.42	3.05	10.41
60628.W2123	Right	Urethane	80	101.6	49.28	15.77	1/2-13"	31.75	12.70	3.05	-
60628.W2126	Right	Urethane	35	101.6	49.28	15.77	1/2-13"	31.75	12.70	3.05	-
60628.W2128	Right	Urethane	60	101.6	49.28	15.77	1/2-13"	31.75	12.70	3.05	-
60628.W2133	Left	Urethane	80	101.6	49.28	15.77	1/2-13"	31.75	12.70	3.05	-
60628.W2136	Left	Urethane	35	101.6	49.28	15.77	1/2-13"	31.75	12.70	3.05	-
60628.W2138	Left	Urethane	80	101.6	49.28	15.77	1/2-13"	31.75	12.70	3.05	-
60628.W3002	Right	Neoprene	20	38.10	31.75	9.42	5/16-18"	17.53	4.83	3.05	1.52

ROLLERS & BUMPERS

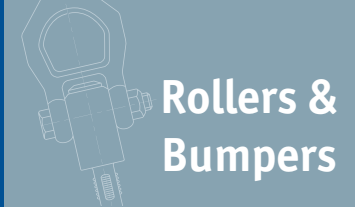


Order No.	Type	Material	Durometer	d ₁	l ₁	d ₂ -0 +0.05	d ₃	l ₂	l ₃	l ₄	l ₅
60628.W3003	Right	Neoprene	35	38.10	31.75	9.42	5/16-18"	17.53	4.83	3.05	1.52
60628.W3006	Right	Neoprene	60	38.10	31.75	9.42	5/16-18"	17.53	4.83	3.05	1.52
60628.W3008	Right	Neoprene	80	38.10	31.75	9.42	5/16-18"	17.53	4.83	3.05	1.52
60628.W3012	Left	Neoprene	20	38.10	31.75	9.42	5/16-18"	17.53	4.83	3.05	1.52
60628.W3013	Left	Neoprene	35	38.10	31.75	9.42	5/16-18"	17.53	4.83	3.05	1.52
60628.W3016	Left	Neoprene	60	38.10	31.75	9.42	5/16-18"	17.53	4.83	3.05	1.52
60628.W3018	Left	Neoprene	80	38.10	31.75	9.42	5/16-18"	17.53	4.83	3.05	1.52
60628.W3022	Right	Neoprene	20	50.80	23.37	15.77	1/2-13"	45.47	26.42	3.05	10.41
60628.W3023	Right	Neoprene	35	50.80	23.37	15.77	1/2-13"	45.47	26.42	3.05	10.41
60628.W3026	Right	Neoprene	60	50.80	23.37	15.77	1/2-13"	45.47	26.42	3.05	10.41
60628.W3028	Right	Neoprene	80	50.80	23.37	15.77	1/2-13"	45.47	26.42	3.05	10.41
60628.W3032	Left	Neoprene	20	50.80	23.37	15.77	1/2-13"	45.47	26.42	3.05	10.41
60628.W3033	Left	Neoprene	35	50.80	23.37	15.77	1/2-13"	45.47	26.42	3.05	10.41
60628.W3036	Left	Neoprene	60	50.80	23.37	15.77	1/2-13"	45.47	26.42	3.05	10.41
60628.W3038	Left	Neoprene	80	50.80	23.37	15.77	1/2-13"	45.47	26.42	3.05	10.41
60628.W3042	Right	Neoprene	20	50.80	49.28	15.77	1/2-13"	31.75	12.70	3.05	-
60628.W3043	Right	Neoprene	35	50.80	49.28	15.77	1/2-13"	31.75	12.70	3.05	-
60628.W3046	Right	Neoprene	60	50.80	49.28	15.77	1/2-13"	31.75	12.70	3.05	-
60628.W3048	Right	Neoprene	80	50.80	49.28	15.77	1/2-13"	31.75	12.70	3.05	-
60628.W3052	Left	Neoprene	20	50.80	49.28	15.77	1/2-13"	31.75	12.70	3.05	-
60628.W3053	Left	Neoprene	35	50.80	49.28	15.77	1/2-13"	31.75	12.70	3.05	-
60628.W3056	Left	Neoprene	60	50.80	49.28	15.77	1/2-13"	31.75	12.70	3.05	-
60628.W3058	Left	Neoprene	80	50.80	49.28	15.77	1/2-13"	31.75	12.70	3.05	-
60628.W3062	Right	Neoprene	20	63.50	23.27	15.77	1/2-13"	31.75	26.42	3.05	10.41
60628.W3063	Right	Neoprene	35	63.50	23.27	15.77	1/2-13"	31.75	26.42	3.05	10.41
60628.W3066	Right	Neoprene	60	63.50	23.27	15.77	1/2-13"	31.75	26.42	3.05	10.41
60628.W3068	Right	Neoprene	80	63.50	23.27	15.77	1/2-13"	31.75	26.42	3.05	10.41
60628.W3072	Left	Neoprene	20	63.50	23.27	15.77	1/2-13"	31.75	26.42	3.05	10.41
60628.W3073	Left	Neoprene	35	63.50	23.27	15.77	1/2-13"	31.75	26.42	3.05	10.41
60628.W3076	Left	Neoprene	60	63.50	23.27	15.77	1/2-13"	31.75	26.42	3.05	10.41
60628.W3078	Left	Neoprene	80	63.50	23.27	15.77	1/2-13"	31.75	26.42	3.05	10.41
60628.W3082	Right	Neoprene	20	63.50	49.28	15.77	1/2-13"	31.75	12.70	3.05	-
60628.W3083	Right	Neoprene	35	63.50	49.28	15.77	1/2-13"	31.75	12.70	3.05	-
60628.W3086	Right	Neoprene	60	63.50	49.28	15.77	1/2-13"	31.75	12.70	3.05	-
60628.W3088	Right	Neoprene	80	63.50	49.28	15.77	1/2-13"	31.75	12.70	3.05	-
60628.W3092	Left	Neoprene	20	63.50	49.28	15.77	1/2-13"	31.75	12.70	3.05	-
60628.W3093	Left	Neoprene	35	63.50	49.28	15.77	1/2-13"	31.75	12.70	3.05	-
60628.W3096	Left	Neoprene	60	63.50	49.28	15.77	1/2-13"	31.75	12.70	3.05	-
60628.W3098	Left	Neoprene	80	63.50	49.28	15.77	1/2-13"	31.75	12.70	3.05	-
60628.W3102	Right	Neoprene	20	101.6	23.27	15.77	1/2-13"	31.75	26.42	3.05	10.41
60628.W3103	Right	Neoprene	35	101.6	23.27	15.77	1/2-13"	31.75	26.42	3.05	10.41
60628.W3108	Right	Neoprene	80	101.6	23.27	15.77	1/2-13"	31.75	26.42	3.05	10.41
60628.W3112	Left	Neoprene	20	101.6	23.27	15.77	1/2-13"	31.75	26.42	3.05	10.41
60628.W3113	Left	Neoprene	35	101.6	23.27	15.77	1/2-13"	31.75	26.42	3.05	10.41
60628.W3116	Left	Neoprene	60	101.6	23.27	15.77	1/2-13"	31.75	26.42	3.05	10.41
60628.W3118	Left	Neoprene	80	101.6	23.27	15.77	1/2-13"	31.75	26.42	3.05	10.41
60628.W3122	Right	Neoprene	20	101.6	49.28	15.77	1/2-13"	31.75	12.70	3.05	-
60628.W3123	Right	Neoprene	35	101.6	49.28	15.77	1/2-13"	31.75	12.70	3.05	-
60628.W3126	Right	Neoprene	60	101.6	49.28	15.77	1/2-13"	31.75	12.70	3.05	-
60628.W3128	Right	Neoprene	80	101.6	49.28	15.77	1/2-13"	31.75	12.70	3.05	-
60628.W3132	Left	Neoprene	20	101.6	49.28	15.77	1/2-13"	31.75	12.70	3.05	-
60628.W3133	Left	Neoprene	35	101.6	49.28	15.77	1/2-13"	31.75	12.70	3.05	-
60628.W3136	Left	Neoprene	60	101.6	49.28	15.77	1/2-13"	31.75	12.70	3.05	-
60628.W3138	Left	Neoprene	80	101.6	49.28	15.77	1/2-13"	31.75	12.70	3.05	-

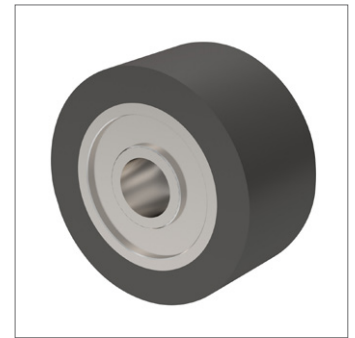
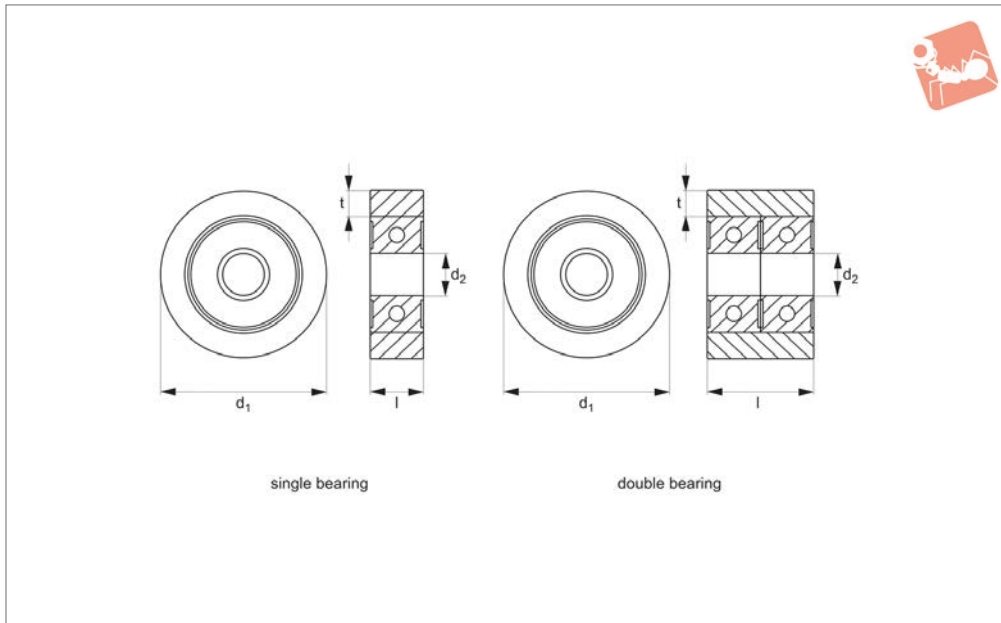


Urethane Covered Bearings

bearing only



Rollers & Bumpers



60610

ROLLERS & BUMPERS

Material

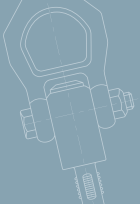
Urethane cast directly to a precision sealed ball bearing. Hardness from 35-95 durometer (Shore A).

Technical Notes

These bearings provide a smooth, quiet and non-marring operation. Urethane provides excellent durability and resistance to abrasion.

stance to abrasion.

Order No.	Bearing type	Durometer	d ₁	d ₂	l	t
60610.W0003	Single	35	20	5	5	3
60610.W0006	Single	60	20	5	5	3
60610.W0009	Single	95	20	5	5	3
60610.W0013	Single	35	25	6	6	3
60610.W0016	Single	60	25	6	6	3
60610.W0019	Single	95	25	6	6	3
60610.W0023	Single	35	30	8	7	4
60610.W0026	Single	60	30	8	7	4
60610.W0029	Single	95	30	8	7	4
60610.W0033	Single	35	35	9	7	6
60610.W0036	Single	60	35	9	7	6
60610.W0039	Single	95	35	9	7	6
60610.W0043	Single	35	35	10	8	5
60610.W0046	Single	60	35	10	8	5
60610.W0049	Single	95	35	10	8	5
60610.W0053	Single	35	40	10	8	7
60610.W0056	Single	60	40	10	8	7
60610.W0059	Single	95	40	10	8	7
60610.W0063	Single	35	40	12	8	6
60610.W0066	Single	60	40	12	8	6
60610.W0069	Single	95	40	12	8	6
60610.W0073	Single	35	50	12	8	11
60610.W0076	Single	60	50	12	8	11
60610.W0079	Single	95	50	12	8	11
60610.W0089	Single	95	45	15	9	7
60610.W0099	Single	95	50	17	10	8
60610.W0109	Single	95	60	20	12	9
60610.W1003	Double	35	20	5	10	3
60610.W1006	Double	60	20	5	10	3
60610.W1009	Double	95	20	5	10	3
60610.W1013	Double	35	25	6	12	3
60610.W1016	Double	60	25	6	12	3
60610.W1019	Double	95	25	6	12	3
60610.W1023	Double	35	30	8	14	4
60610.W1026	Double	60	30	8	14	4

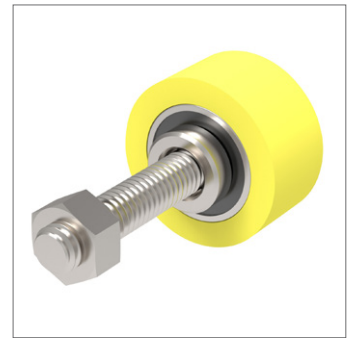
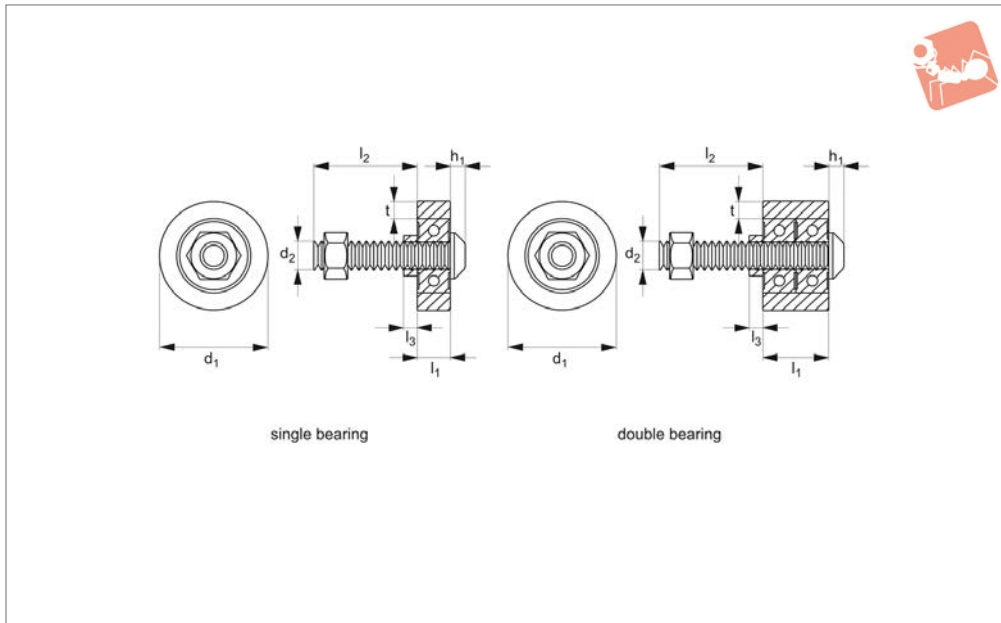


Order No.	Bearing type	Durometer	d ₁	d ₂	l	t
60610.W1029	Double	95	30	8	14	4
60610.W1033	Double	35	35	9	14	6
60610.W1036	Double	60	35	9	14	6
60610.W1039	Double	95	35	9	14	6
60610.W1043	Double	35	35	10	16	5
60610.W1046	Double	60	35	10	16	5
60610.W1049	Double	95	35	10	16	5
60610.W1053	Double	35	40	10	16	7
60610.W1056	Double	60	40	10	16	7
60610.W1059	Double	95	40	10	16	7
60610.W1063	Double	35	40	12	16	6
60610.W1066	Double	60	40	12	16	6
60610.W1069	Double	95	40	12	16	6
60610.W1073	Double	35	50	12	16	11
60610.W1076	Double	60	50	12	16	11
60610.W1079	Double	95	50	12	16	11
60610.W1089	Double	95	45	15	18	7
60610.W1099	Double	95	50	17	20	8
60610.W1109	Double	95	60	20	24	9
60610.W1119	Double	95	70	25	24	12
60610.W0119	Single	95	70	25	12	12



Urethane Covered Bearings stud mounted

Rollers & Bumpers



60614

ROLLERS & BUMPERS

Material

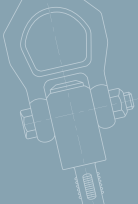
Urethane cast directly to a precision sealed ball bearing. Hardness from 35-95 durometer (Shore A).

Technical Notes

These bearings provide a smooth, quiet and non-marring operation. Urethane provides excellent durability and resi-

stance to abrasion. Assembled with button head cap screw, spacer and lock nut.

Order No.	Bearing type	Durometer	d ₁	l ₁	d ₂	l ₂	d ₃	t	h
60614.W1003	Double	35	20	10	M5x0.8	25	3	3	2.75
60614.W1006	Double	60	20	10	M5x0.8	25	3	3	2.75
60614.W1009	Double	95	20	10	M5x0.8	25	3	3	2.75
60614.W1013	Double	35	25	12	M6x1.0	28	3	3	3.3
60614.W1016	Double	60	25	12	M6x1.0	28	3	3	3.3
60614.W1019	Double	95	25	12	M6x1.0	28	3	3	3.3
60614.W1023	Double	35	30	14	M8x1.25	26	3	4	4.4
60614.W1026	Double	60	30	14	M8x1.25	26	3	4	4.4
60614.W1029	Double	95	30	14	M8x1.25	26	3	4	4.4
60614.W1033	Double	35	35	16	M10x1.5	29	3	4.5	5.5
60614.W1036	Double	60	35	16	M10x1.5	29	3	4.5	5.5
60614.W1039	Double	95	35	16	M10x1.5	29	3	4.5	5.5
60614.W1043	Double	35	40	16	M10x1.5	29	3	7	5.5
60614.W1046	Double	60	40	16	M10x1.5	29	3	7	5.5
60614.W1049	Double	95	40	16	M10x1.5	29	3	7	5.5
60614.W1053	Double	35	40	16	M12x1.75	29	3	6	6.6
60614.W1056	Double	60	40	16	M12x1.75	29	3	6	6.6
60614.W1059	Double	95	40	16	M12x1.75	29	3	6	6.6
60614.W1063	Double	35	50	16	M12x1.75	29	3	11	6.6
60614.W1066	Double	60	50	16	M12x1.75	29	3	11	6.6
60614.W1069	Double	95	50	16	M12x1.75	29	3	11	6.6
60614.W0003	Single	35	20	5	M5x0.8	30	3	3	2.75
60614.W0006	Single	60	20	5	M5x0.8	30	3	3	2.75
60614.W0009	Single	95	20	5	M5x0.8	30	3	3	2.75
60614.W0013	Single	35	25	6	M6x1.0	34	3	3	3.3
60614.W0016	Single	60	25	6	M6x1.0	34	3	3	3.3
60614.W0019	Single	95	25	6	M6x1.0	34	3	3	3.3
60614.W0023	Single	35	30	7	M8x1.25	33	3	4	4.4
60614.W0026	Single	60	30	7	M8x1.25	33	3	4	4.4
60614.W0029	Single	95	30	7	M8x1.25	33	3	4	4.4
60614.W0033	Single	35	35	8	M10x1.5	37	3	4.5	5.5
60614.W0036	Single	60	35	8	M10x1.5	37	3	4.5	5.5
60614.W0039	Single	95	35	8	M10x1.5	37	3	4.5	5.5
60614.W0043	Single	35	40	8	M10x1.5	37	3	7	5.5
60614.W0046	Single	60	40	8	M10x1.5	37	3	7	5.5



Order No.	Bearing type	Durometer	d ₁	l ₁	d ₂	l ₂	d ₃	t	h
60614.W0049	Single	95	40	8	M10x1.5	37	3	7	5.5
60614.W0053	Single	35	40	8	M12x1.75	37	3	6	6.6
60614.W0056	Single	60	40	8	M12x1.75	37	3	6	6.6
60614.W0059	Single	95	40	8	M12x1.75	37	3	6	6.6
60614.W0063	Single	35	50	8	M12x1.75	37	3	11	6.6
60614.W0066	Single	60	50	8	M12x1.75	37	3	11	6.6
60614.W0069	Single	95	50	8	M12x1.75	37	3	11	6.6