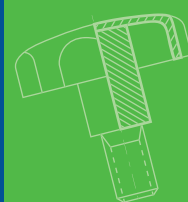


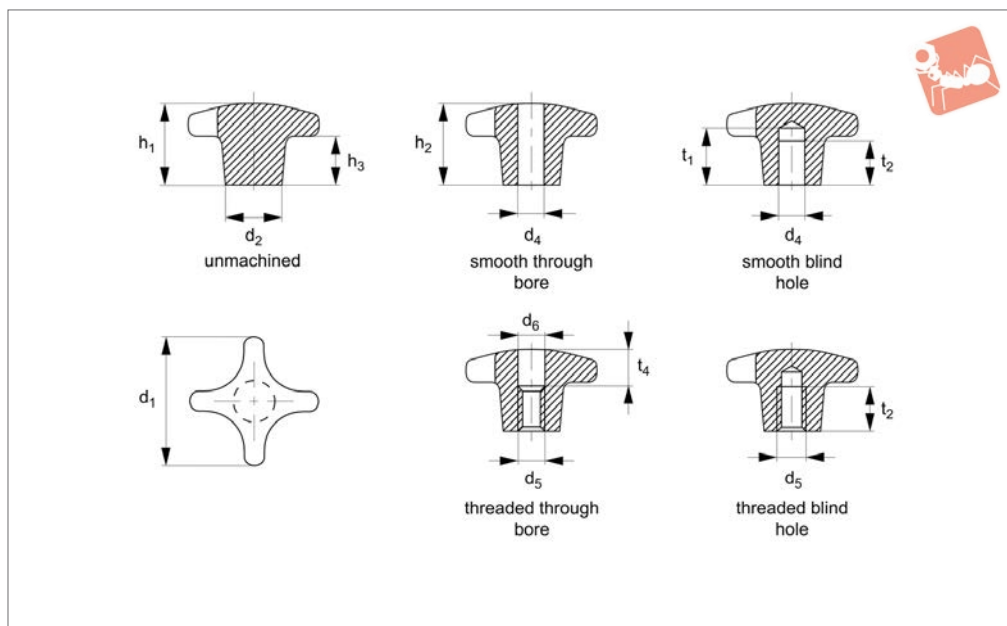


# Palm Grips

cast iron - DIN 6335



Grips



70000

GRIPS

## Material

Cast iron GG20, bright.

## Technical Notes

Sandblasted or tumbled.

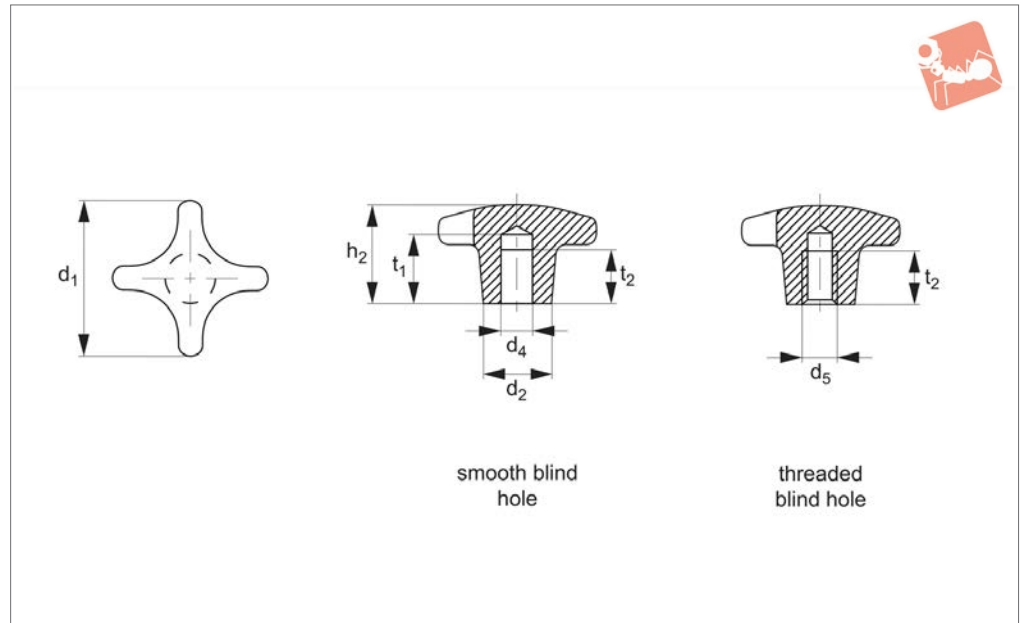
## Tips

Grips with different bores or surface treatment can be made to order (min. quantity for specials 200 off).

Order No.	Finish	d <sub>1</sub>	d <sub>2</sub>	d <sub>4</sub> tol. H7	d <sub>5</sub>	d <sub>6</sub>	h <sub>1</sub>	h <sub>2</sub>	h <sub>3</sub>	t <sub>1</sub>	t <sub>2</sub>	t <sub>4</sub>	Weight g
70000.W0032	Unmachined	32	12	-	-	-	21	-	10	-	-	-	38
70000.W0040	Unmachined	40	14	-	-	-	26	-	14	-	-	-	69
70000.W0050	Unmachined	50	18	-	-	-	34	-	20	-	-	-	115
70000.W0063	Unmachined	63	20	-	-	-	42	-	25	-	-	-	228
70000.W0080	Unmachined	80	25	-	-	-	52	-	30	-	-	-	415
70000.W0090	Unmachined	100	32	-	-	-	65	-	38	-	-	-	855
70000.W0132	Smooth, Through	32	12	6	-	-	-	20	-	-	-	-	34
70000.W0140	Smooth, Through	40	14	8	-	-	-	25	-	-	-	-	59
70000.W0150	Smooth, Through	50	18	10	-	-	-	32	-	-	-	-	95
70000.W0163	Smooth, Through	63	20	12	-	-	-	40	-	-	-	-	171
70000.W0180	Smooth, Through	80	25	16	-	-	-	50	-	-	-	-	338
70000.W0190	Smooth, Through	100	32	20	-	-	-	63	-	-	-	-	709
70000.W0232	Smooth, Blind	32	12	6	-	-	-	20	-	15	12	-	36
70000.W0240	Smooth, Blind	40	14	8	-	-	-	25	-	18	15	-	61
70000.W0250	Smooth, Blind	50	18	10	-	-	-	32	-	21	18	-	99
70000.W0263	Smooth, Blind	63	20	12	-	-	-	40	-	25	22	-	200
70000.W0280	Smooth, Blind	80	25	16	-	-	-	50	-	32	28	-	380
70000.W0290	Smooth, Blind	100	32	20	-	-	-	63	-	40	36	-	648
70000.W0332	Threaded, Through	32	12	-	M_6	6.4	-	20	-	-	-	10	34
70000.W0340	Threaded, Through	40	14	-	M_8	8.4	-	25	-	-	-	12	60
70000.W0350	Threaded, Through	50	18	-	M10	10.5	-	32	-	-	-	16	95
70000.W0363	Threaded, Through	63	20	-	M12	13.0	-	40	-	-	-	20	191
70000.W0380	Threaded, Through	80	25	-	M16	17.0	-	50	-	-	-	30	339
70000.W0390	Threaded, Through	100	32	-	M20	21.0	-	63	-	-	-	38	704
70000.W0432	Threaded, Blind	32	12	-	M_6	-	-	20	-	-	12	-	35
70000.W0440	Threaded, Blind	40	14	-	M_8	-	-	25	-	-	15	-	63
70000.W0450	Threaded, Blind	50	18	-	M10	-	-	32	-	-	18	-	103
70000.W0463	Threaded, Blind	63	20	-	M12	-	-	40	-	-	22	-	205
70000.W0480	Threaded, Blind	80	25	-	M16	-	-	50	-	-	28	-	359
70000.W0490	Threaded, Blind	100	32	-	M20	-	-	63	-	-	36	-	720



**70020**



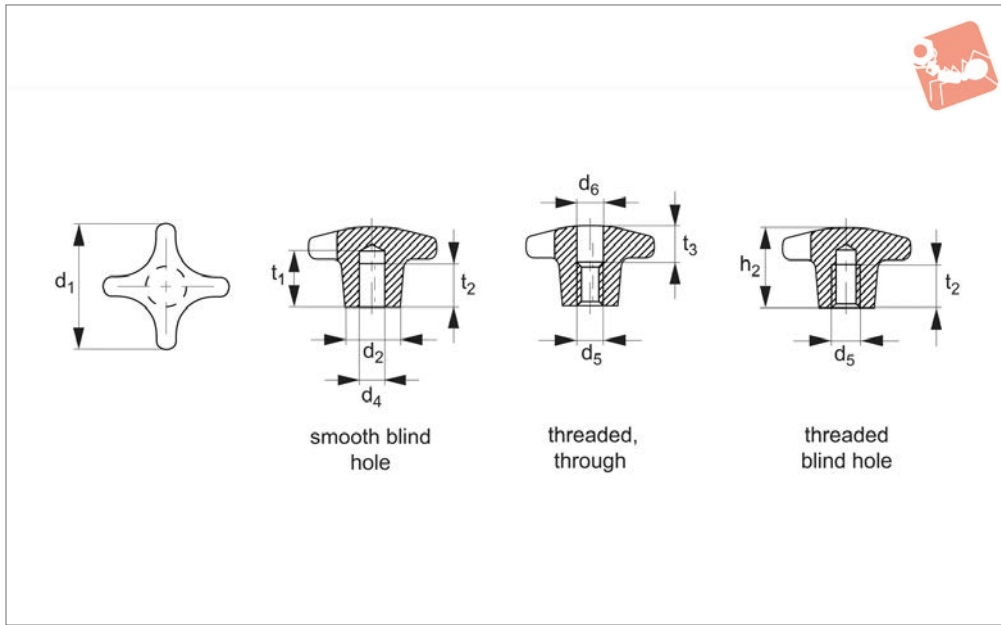
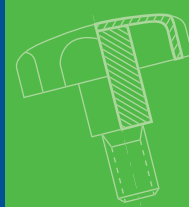
**Material**

Cast iron GG20, plastic-coated, orange RAL2004 or black RAL9005 dull finish.

**Technical Notes**

Produced to DIN 6335.

Order No.	Finish	Colour	d <sub>1</sub>	d <sub>2</sub>	d <sub>4</sub> tol. H7	d <sub>5</sub>	h <sub>2</sub>	t <sub>1</sub>	t <sub>2</sub>	Weight g
70020.W0540	Smooth, Blind	Orange	40	14	8	-	25	18	15	62
70020.W0550	Smooth, Blind	Orange	50	18	10	-	32	21	18	106
70020.W0563	Smooth, Blind	Orange	63	20	12	-	40	25	22	201
70020.W0580	Smooth, Blind	Orange	80	25	16	-	50	32	28	353
70020.W0640	Smooth, Blind	Black	40	14	8	-	25	18	15	62
70020.W0650	Smooth, Blind	Black	50	18	10	-	32	21	18	106
70020.W0663	Smooth, Blind	Black	63	20	12	-	40	25	22	201
70020.W0680	Smooth, Blind	Black	80	25	16	-	50	32	28	353
70020.W0541	Threaded, Blind	Orange	40	14	-	M 8	25	-	15	56
70020.W0551	Threaded, Blind	Orange	50	18	-	M10	32	-	18	110
70020.W0564	Threaded, Blind	Orange	63	20	-	M12	40	-	22	198
70020.W0581	Threaded, Blind	Orange	80	25	-	M16	50	-	28	364
70020.W0641	Threaded, Blind	Black	40	14	-	M 8	25	-	15	56
70020.W0651	Threaded, Blind	Black	50	18	-	M10	32	-	18	110
70020.W0664	Threaded, Blind	Black	63	20	-	M12	40	-	22	198
70020.W0681	Threaded, Blind	Black	80	25	-	M16	50	-	28	364



70040

GRIPS

**Material**

Light metal aluminium (polished or unpolished).

**Tips**

Grips with different bores or surface treatment can be made to order (min. quantity for specials 200 off).

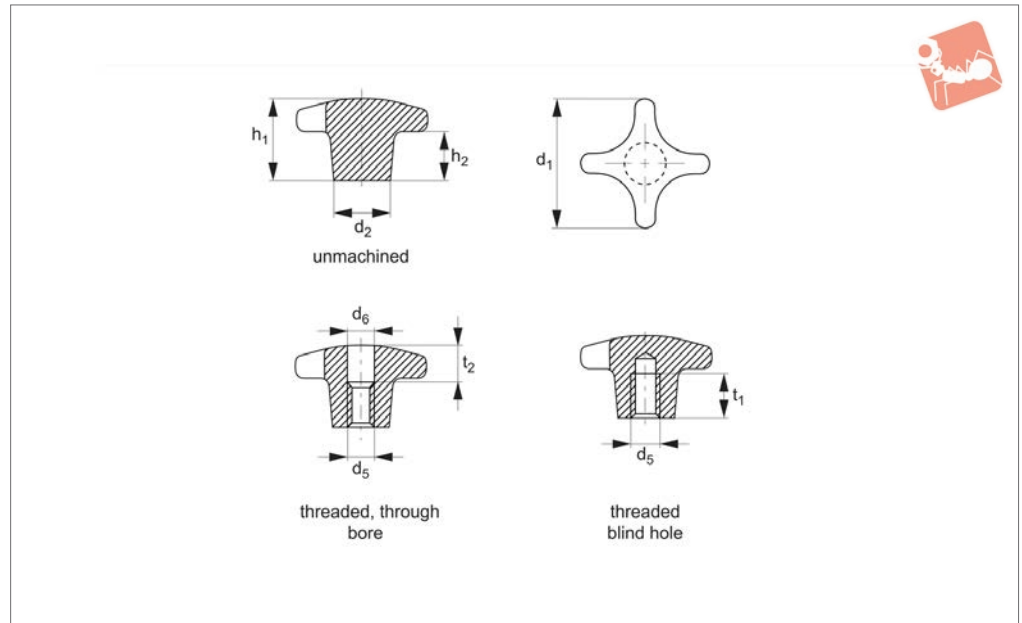
**Technical Notes**

Produced to DIN 6335.

Order No.	Finish	Type	d <sub>1</sub>	d <sub>2</sub>	d <sub>4</sub> tol. H7	d <sub>5</sub>	d <sub>6</sub>	h <sub>2</sub>	t <sub>1</sub>	t <sub>2</sub>	t <sub>3</sub>	Weight g
70040.W0240	Unpolished	Smooth, Blind	40	14	8	-	-	25	18	15	-	25
70040.W0250	Unpolished	Smooth, Blind	50	18	10	-	-	32	21	18	-	45
70040.W0263	Unpolished	Smooth, Blind	63	20	12	-	-	40	25	22	-	84
70040.W0280	Unpolished	Smooth, Blind	80	25	16	-	-	50	32	28	-	141
70040.W0440	Unpolished	Threaded, Blind	40	14	-	M 8	-	25	-	15	-	22
70040.W0450	Unpolished	Threaded, Blind	50	18	-	M10	-	32	-	18	-	46
70040.W0463	Unpolished	Threaded, Blind	63	20	-	M12	-	40	-	22	-	86
70040.W0480	Unpolished	Threaded, Blind	80	25	-	M16	-	50	-	28	-	143
70040.W0640	Polished	Smooth, Blind	40	14	8	-	-	25	18	15	-	25
70040.W0650	Polished	Smooth, Blind	50	18	10	-	-	32	21	18	-	45
70040.W0663	Polished	Smooth, Blind	63	20	12	-	-	40	25	22	-	84
70040.W0680	Polished	Smooth, Blind	80	25	16	-	-	50	32	28	-	141
70040.W0840	Polished	Threaded, Blind	40	14	-	M 8	-	25	-	15	-	22
70040.W0850	Polished	Threaded, Blind	50	18	-	M10	-	32	-	18	-	46
70040.W0863	Polished	Threaded, Blind	63	20	-	M12	-	40	-	22	-	86
70040.W0880	Polished	Threaded, Blind	80	25	-	M16	-	50	-	28	-	143
70040.W0340	Unpolished	Threaded, Through	40	14	-	M 8	8.4	25	-	-	12	23
70040.W0350	Unpolished	Threaded, Through	50	18	-	M10	10.5	32	-	-	16	44
70040.W0363	Unpolished	Threaded, Through	63	20	-	M12	13.0	40	-	-	20	70
70040.W0380	Unpolished	Threaded, Through	80	25	-	M16	17.0	50	-	-	30	129
70040.W0740	Polished	Threaded, Through	40	14	-	M 8	8.4	25	-	-	12	23
70040.W0750	Polished	Threaded, Through	50	18	-	M10	10.5	32	-	-	16	44
70040.W0763	Polished	Threaded, Through	63	20	-	M12	13.0	40	-	-	20	70
70040.W0780	Polished	Threaded, Through	80	25	-	M16	17.0	50	-	-	30	129



70042

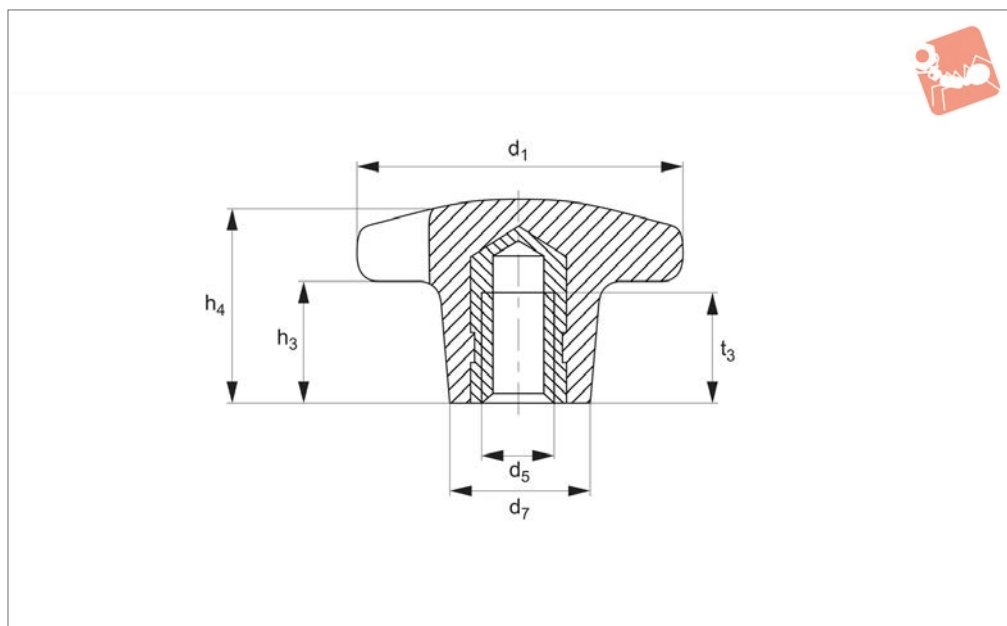


Material

Stainless steel A2 (AISI 304), dull blasted.

Order No.	Finish	d <sub>1</sub>	d <sub>2</sub>	d <sub>5</sub>	d <sub>6</sub>	h <sub>1</sub>	h <sub>2</sub>	t <sub>1</sub>	t <sub>2</sub>	Weight g
70042.W0032	Unmachined	32	12	-	-	21	10	-	-	41
70042.W0040	Unmachined	40	14	-	-	26	14	-	-	70
70042.W0050	Unmachined	50	18	-	-	34	20	-	-	128
70042.W0063	Unmachined	63	20	-	-	42	25	-	-	227
70042.W0332	Threaded, Through	32	12	M 6	6.4	20	-	-	10	36
70042.W0340	Threaded, Through	40	14	M 8	8.4	25	-	-	12	60
70042.W0350	Threaded, Through	50	18	M10	10.5	32	-	-	16	107
70042.W0363	Threaded, Through	63	20	M12	13.0	40	-	-	20	192
70042.W0432	Threaded, Blind	32	12	M 6	-	20	-	12	-	38
70042.W0440	Threaded, Blind	40	14	M 8	-	25	-	15	-	62
70042.W0450	Threaded, Blind	50	18	M10	-	32	-	18	-	114
70042.W0463	Threaded, Blind	63	20	M12	-	40	-	22	-	205





**70060**

GRIPS

**Material**

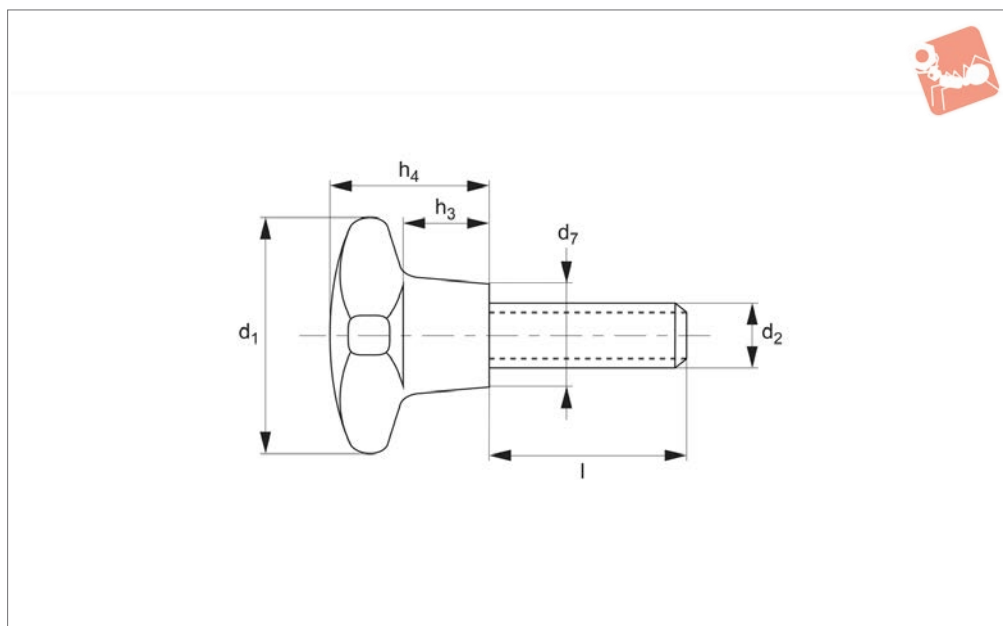
Grip: duroplast PF 31 DIN 7708, black.  
Threaded bush: steel, galvanised or stain-

less steel A2.  
Temperature range: max 110°C.

Order No.	Finish	d <sub>1</sub>	d <sub>5</sub>	d <sub>7</sub>	h <sub>3</sub>	h <sub>4</sub>	t <sub>3</sub>	Weight g
70060.W0220	Brass	20	M_4	10	6	13	6.5	3.3
70060.W0225	Steel	25	M_5	12	8	16	9.5	7.0
70060.W0232	Steel	32	M_6	14	10	20	12.0	12.0
70060.W0240	Steel	40	M_8	18	13	25	14.0	16.0
70060.W0250	Steel	50	M10	22	20	32	18.0	32.0
70060.W0263	Steel	63	M12	26	25	40	22.0	62.0
70060.W0280	Steel	80	M16	35	30	50	30.0	137.0
70060.W1225	Stainless	25	M_5	12	8	16	9.5	7.0
70060.W1232	Stainless	32	M_6	14	10	20	12.0	12.0
70060.W1240	Stainless	40	M_8	18	13	25	14.0	16.0
70060.W1263	Stainless	63	M12	26	25	40	22.0	62.0
70060.W1280	Stainless	80	M16	35	30	50	30.0	137.0



## 70080



### Material

Duroplast PF 31, black.

Grub screw: steel, galvanised or stainless steel A2.

### Technical Notes

Produced to DIN 7708.

Special designs e.g. different lengths or grub screws in brass, or stainless steel can

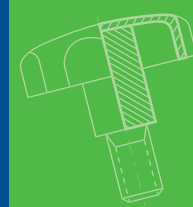
be made to order depending on quantity.  
Temperature range up to 110°C.

Order No.	Material	d <sub>1</sub>	d <sub>2</sub>	d <sub>7</sub>	h <sub>3</sub>	h <sub>4</sub>	l <sub>1</sub>	Weight g
70080.W0051	Steel	25	M 5	12	8	16	10	6.7
70080.W0052	Steel	25	M 5	12	8	16	15	7.3
70080.W0053	Steel	25	M 5	12	8	16	20	7.5
70080.W0054	Steel	25	M 5	12	8	16	25	8.1
70080.W0055	Steel	25	M 5	12	8	16	30	8.9
70080.W0061	Steel	32	M 6	14	10	20	15	11.0
70080.W0062	Steel	32	M 6	14	10	20	20	12.0
70080.W0063	Steel	32	M 6	14	10	20	25	15.0
70080.W0064	Steel	32	M 6	14	10	20	30	16.0
70080.W0065	Steel	32	M 6	14	10	20	40	16.0
70080.W0081	Steel	40	M 8	18	13	25	20	24.0
70080.W0082	Steel	40	M 8	18	13	25	25	25.0
70080.W0083	Steel	40	M 8	18	13	25	30	26.0
70080.W0084	Steel	40	M 8	18	13	25	40	30.0
70080.W0085	Steel	40	M 8	18	13	25	50	32.0
70080.W0101	Steel	50	M10	22	20	32	25	41.0
70080.W0102	Steel	50	M10	22	20	32	30	48.0
70080.W0103	Steel	50	M10	22	20	32	40	51.0
70080.W0104	Steel	50	M10	22	20	32	50	56.0
70080.W0105	Steel	50	M10	22	20	32	60	69.0
70080.W0121	Steel	63	M12	26	25	40	30	86.0
70080.W0122	Steel	63	M12	26	25	40	40	93.0
70080.W0123	Steel	63	M12	26	25	40	50	99.0
70080.W0124	Steel	63	M12	26	25	40	60	105.0
70080.W0125	Steel	63	M12	26	25	40	80	112.0
70080.W0161	Steel	80	M16	35	30	50	40	198.0
70080.W0162	Steel	80	M16	35	30	50	50	175.0
70080.W0163	Steel	80	M16	35	30	50	60	219.0
70080.W0164	Steel	80	M16	35	30	50	80	251.0

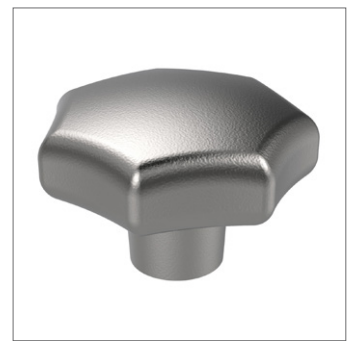
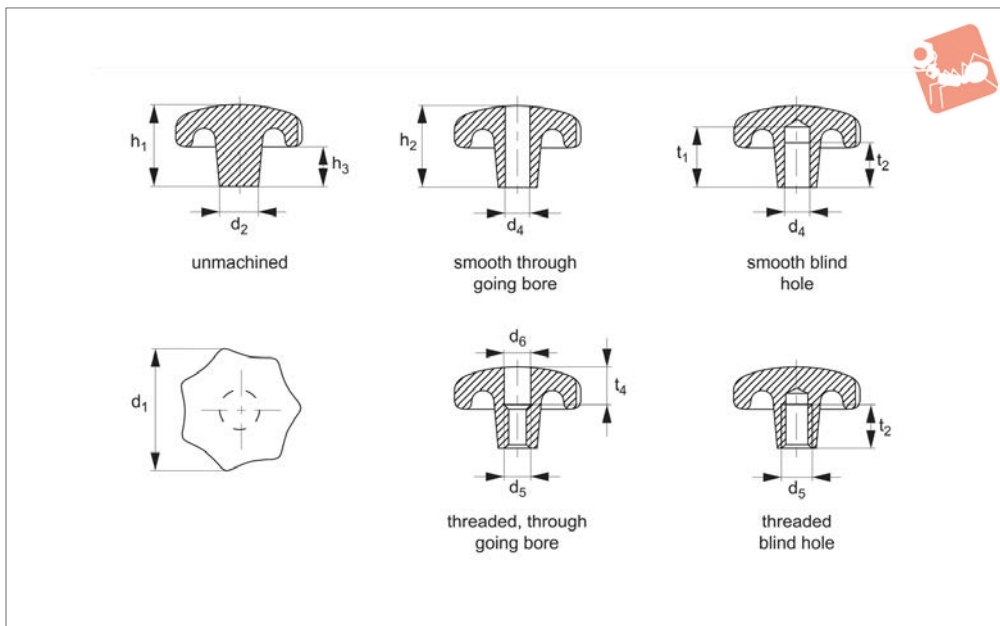


# Star Grips

cast iron - DIN 6336



## Grips



**70100**

GRIPS

### Material

GG20 cast iron, bright, sand blasted or tumbled.

### Technical Notes

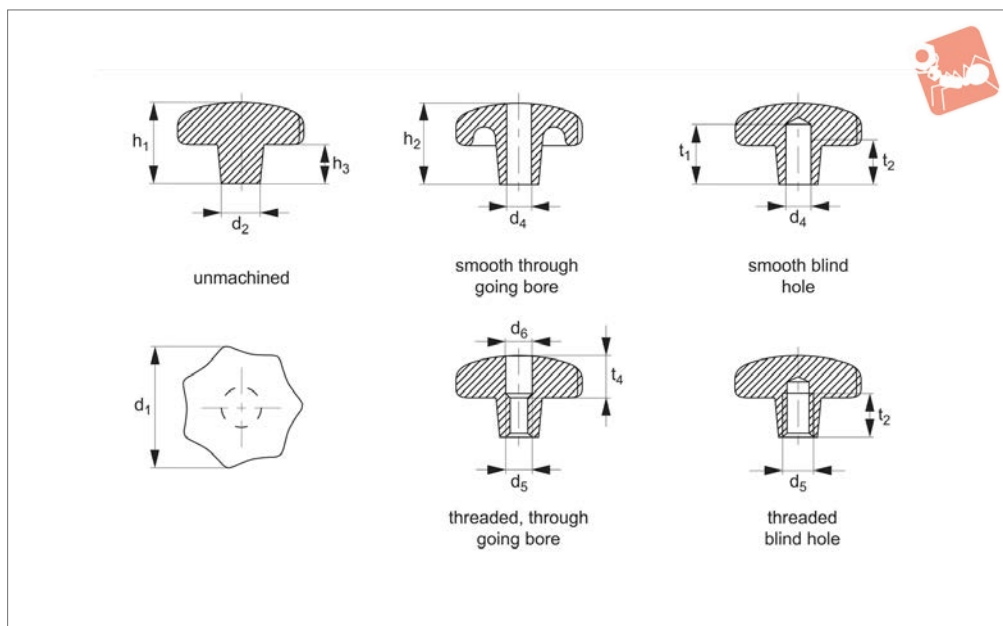
Grips with different bores or surface treatments can be obtained by special order,

(minimum quantity 200 off).

Order No.	Finish	d <sub>1</sub>	d <sub>2</sub>	d <sub>4</sub> tol. H7	d <sub>5</sub>	d <sub>6</sub>	h <sub>1</sub>	h <sub>2</sub>	h <sub>3</sub>	t <sub>1</sub>	t <sub>2</sub>	t <sub>4</sub>	Weight g
70100.W0032	Unmachined	32	12	-	-	-	21	-	10	-	-	-	55
70100.W0040	Unmachined	40	14	-	-	-	26	-	13	-	-	-	82
70100.W0050	Unmachined	50	18	-	-	-	34	-	17	-	-	-	150
70100.W0063	Unmachined	63	20	-	-	-	42	-	21	-	-	-	260
70100.W0080	Unmachined	80	25	-	-	-	52	-	25	-	-	-	510
70100.W0132	Smooth, Through	32	12	6	-	-	-	20	-	-	-	-	49
70100.W0140	Smooth, Through	40	14	8	-	-	-	25	-	-	-	-	72
70100.W0150	Smooth, Through	50	18	10	-	-	-	32	-	-	-	-	130
70100.W0163	Smooth, Through	63	20	12	-	-	-	40	-	-	-	-	220
70100.W0180	Smooth, Through	80	25	16	-	-	-	50	-	-	-	-	440
70100.W0232	Smooth, Blind	32	12	6	-	-	-	20	-	15	12	-	50
70100.W0240	Smooth, Blind	40	14	8	-	-	-	25	-	18	15	-	74
70100.W0250	Smooth, Blind	50	18	10	-	-	-	32	-	21	18	-	135
70100.W0263	Smooth, Blind	63	20	12	-	-	-	40	-	25	22	-	235
70100.W0280	Smooth, Blind	80	25	16	-	-	-	50	-	32	28	-	460
70100.W0332	Threaded, Through	32	12	-	M_6	6.4	-	20	-	-	-	10	49
70100.W0340	Threaded, Through	40	14	-	M_8	8.4	-	25	-	-	-	12	72
70100.W0350	Threaded, Through	50	18	-	M10	10.5	-	32	-	-	-	16	130
70100.W0363	Threaded, Through	63	20	-	M12	13.0	-	40	-	-	-	20	220
70100.W0380	Threaded, Through	80	25	-	M16	17.0	-	50	-	-	-	30	545
70100.W0432	Threaded, Blind	32	12	-	M_6	-	-	20	-	-	12	-	50
70100.W0440	Threaded, Blind	40	14	-	M_8	-	-	25	-	-	15	-	74
70100.W0450	Threaded, Blind	50	18	-	M10	-	-	32	-	-	18	-	135
70100.W0463	Threaded, Blind	63	20	-	M12	-	-	40	-	-	22	-	235
70100.W0480	Threaded, Blind	80	25	-	M16	-	-	50	-	-	28	-	460



**70120**



**Material**

Light metal aluminium (polished or unpolished).

**Technical Notes**

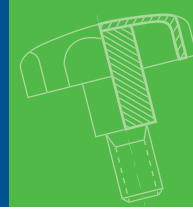
Produced to DIN 6336.

Order No.	Finish	Type	d <sub>1</sub>	d <sub>2</sub>	d <sub>4</sub> tol. H7	d <sub>5</sub>	d <sub>6</sub>	h <sub>1</sub>	h <sub>2</sub>	h <sub>3</sub>	t <sub>1</sub>	t <sub>2</sub>	t <sub>4</sub>	Weight g
70120.W0040	Unpolished	Unmachined	40	14	-	-	-	26	-	13	-	-	-	36
70120.W0050	Unpolished	Unmachined	50	18	-	-	-	34	-	17	-	-	-	70
70120.W0063	Unpolished	Unmachined	63	20	-	-	-	42	-	21	-	-	-	128
70120.W0080	Unpolished	Unmachined	80	25	-	-	-	52	-	25	-	-	-	245
70120.W0180	Unpolished	Smooth, Through	80	25	16	-	-	-	50	-	-	-	-	200
70120.W0240	Unpolished	Smooth, Blind	40	14	8	-	-	-	25	-	18	15	-	30
70120.W0250	Unpolished	Smooth, Blind	50	18	10	-	-	-	32	-	21	18	-	63
70120.W0263	Unpolished	Smooth, Blind	63	20	12	-	-	-	40	-	25	22	-	117
70120.W0280	Unpolished	Smooth, Blind	80	25	16	-	-	-	50	-	32	28	-	223
70120.W0340	Unpolished	Threaded, Through	40	14	-	M 8	8.4	-	25	-	-	-	12	32
70120.W0350	Unpolished	Threaded, Through	50	18	-	M10	10.5	-	32	-	-	-	16	32
70120.W0363	Unpolished	Threaded, Through	63	20	-	M12	13.0	-	40	-	-	-	20	109
70120.W0380	Unpolished	Threaded, Through	80	25	-	M16	17.0	-	50	-	-	-	30	218
70120.W0440	Unpolished	Threaded, Blind	40	14	-	M 8	-	-	25	-	-	15	-	33
70120.W0450	Unpolished	Threaded, Blind	50	18	-	M10	-	-	32	-	-	18	-	63
70120.W0463	Unpolished	Threaded, Blind	63	20	-	M12	-	-	40	-	-	22	-	111
70120.W0480	Unpolished	Threaded, Blind	80	25	-	M16	-	-	50	-	-	28	-	227
70120.W0540	Polished	Smooth, Through	40	14	8	-	-	-	25	-	-	-	-	32
70120.W0580	Polished	Smooth, Through	80	25	16	-	-	-	50	-	-	-	-	200
70120.W0640	Polished	Smooth, Blind	40	14	8	-	-	-	25	-	18	15	-	30
70120.W0650	Polished	Smooth, Blind	50	18	10	-	-	-	32	-	21	18	-	63
70120.W0663	Polished	Smooth, Blind	63	20	12	-	-	-	40	-	25	22	-	117
70120.W0680	Polished	Smooth, Blind	80	25	16	-	-	-	50	-	32	28	-	223
70120.W0740	Polished	Threaded, Through	40	14	-	M 8	8.4	-	25	-	-	-	12	32
70120.W0750	Polished	Threaded, Through	50	18	-	M10	10.5	-	32	-	-	-	16	32
70120.W0763	Polished	Threaded, Through	63	20	-	M12	13.0	-	40	-	-	-	20	109
70120.W0780	Polished	Threaded, Through	80	25	-	M16	17.0	-	50	-	-	-	30	218
70120.W0840	Polished	Threaded, Blind	40	14	-	M 8	-	-	25	-	-	15	-	33
70120.W0850	Polished	Threaded, Blind	50	18	-	M10	-	-	32	-	-	18	-	63
70120.W0863	Polished	Threaded, Blind	63	20	-	M12	-	-	40	-	-	22	-	111
70120.W0880	Polished	Threaded, Blind	80	25	-	M16	-	-	50	-	-	28	-	227

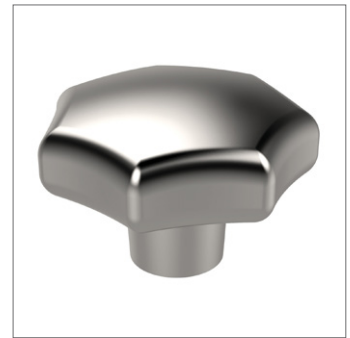
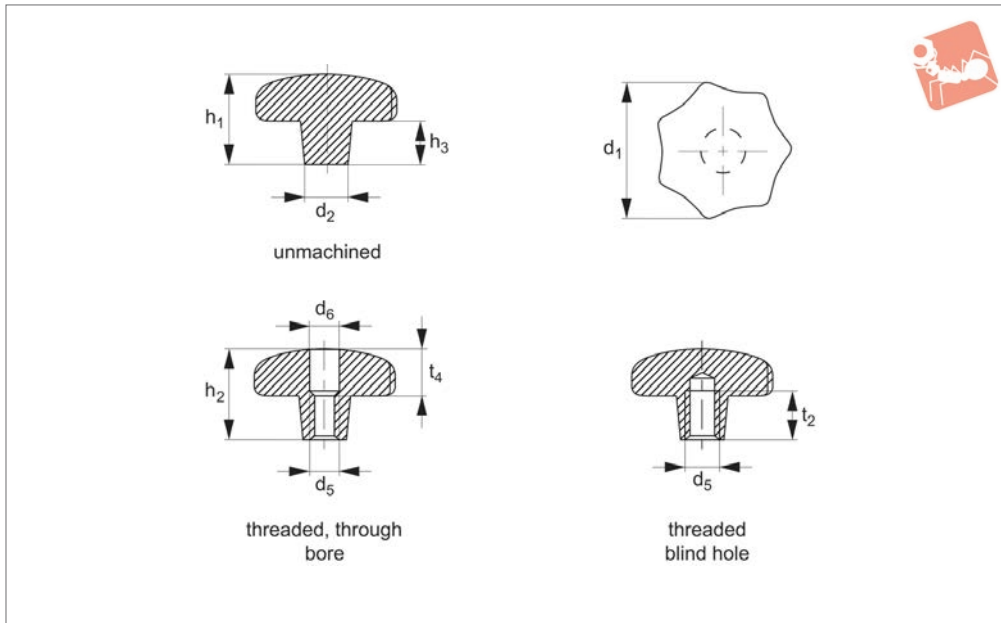


# Star Grips

die-cast stainless steel - DIN 6336



Grips



**70122**

GRIPS

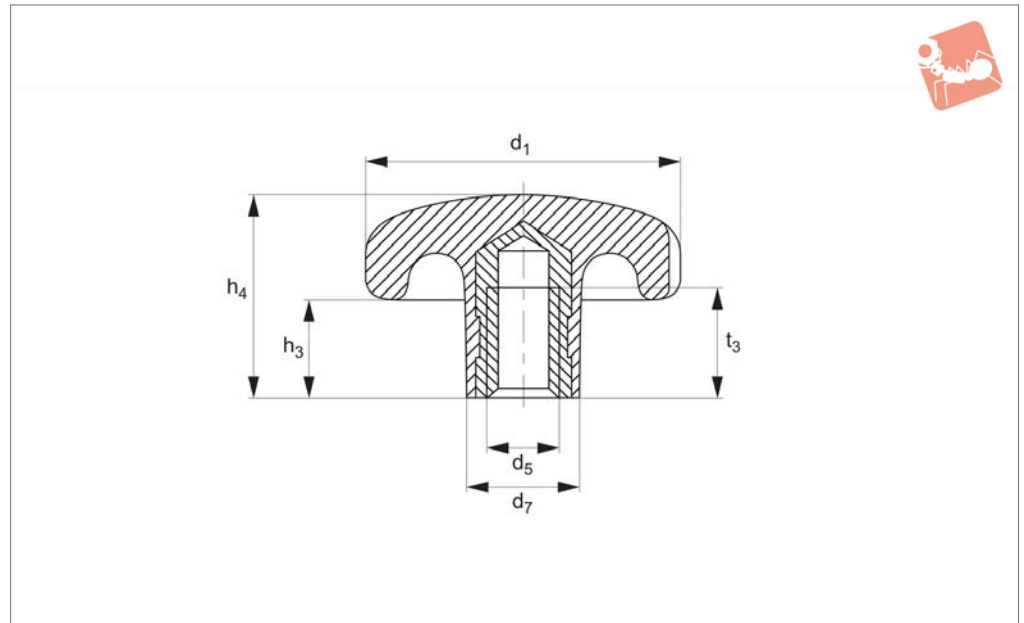
### Material

Stainless steel A2 (AISI 304), dull blasted.

Order No.	Finish	d <sub>1</sub>	d <sub>2</sub>	d <sub>5</sub>	d <sub>6</sub>	h <sub>1</sub>	h <sub>2</sub>	h <sub>3</sub>	t <sub>2</sub>	t <sub>4</sub>	Weight g
<b>70122.W0032</b>	Unmachined	32	12	-	-	21	-	10	-	-	56
<b>70122.W0040</b>	Unmachined	40	14	-	-	26	-	13	-	-	85
<b>70122.W0050</b>	Unmachined	50	18	-	-	34	-	17	-	-	181
<b>70122.W0063</b>	Unmachined	63	20	-	-	42	-	21	-	-	319
<b>70122.W0332</b>	Threaded, Through	32	12	M 6	6.4	-	20	-	-	10	52
<b>70122.W0340</b>	Threaded, Through	40	14	M 8	8.4	-	25	-	-	12	75
<b>70122.W0350</b>	Threaded, Through	50	18	M10	10.5	-	32	-	-	16	158
<b>70122.W0363</b>	Threaded, Through	63	20	M12	13.0	-	40	-	-	20	279
<b>70122.W0432</b>	Threaded, Blind	32	12	M 6	-	-	20	-	12	-	53
<b>70122.W0440</b>	Threaded, Blind	40	14	M 8	-	-	25	-	15	-	77
<b>70122.W0450</b>	Threaded, Blind	50	18	M10	-	-	32	-	18	-	165
<b>70122.W0463</b>	Threaded, Blind	63	20	M12	-	-	40	-	22	-	296



## 70140



### Material

Grip: duroplast PF 31 DIN 7708, black.

Threaded bush: steel, galvanised, stainless

steel A2 or brass.

### Technical Notes

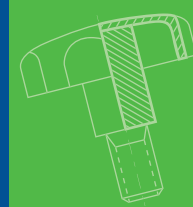
Temperature range: max 110°C.

Order No.	Finish	$d_1$	$d_5$	$d_7$	$h_3$	$h_4$	$t_3$	Weight g
70140.W0220	Brass	20	M 4	10	7	13	6.5	3.4
70140.W0225	Steel	25	M 5	12	8	16	9.5	7.4
70140.W0232	Steel	32	M 6	14	10	20	12.0	11.0
70140.W0240	Steel	40	M 8	18	13	25	14.0	22.0
70140.W0250	Steel	50	M10	22	17	32	18.0	40.0
70140.W0263	Steel	63	M12	26	21	40	22.0	83.0
70140.W0280	Steel	80	M16	35	25	50	30.0	163.0
70140.W1225	Stainless	25	M 5	12	8	16	9.5	7.4
70140.W1232	Stainless	32	M 6	14	10	20	12.0	11.0
70140.W1240	Stainless	40	M 8	18	13	25	14.0	22.0
70140.W1250	Stainless	50	M10	22	17	32	18.0	40.0
70140.W1263	Stainless	63	M12	26	21	40	22.0	83.0
70140.W1280	Stainless	80	M16	35	25	50	30.0	163.0

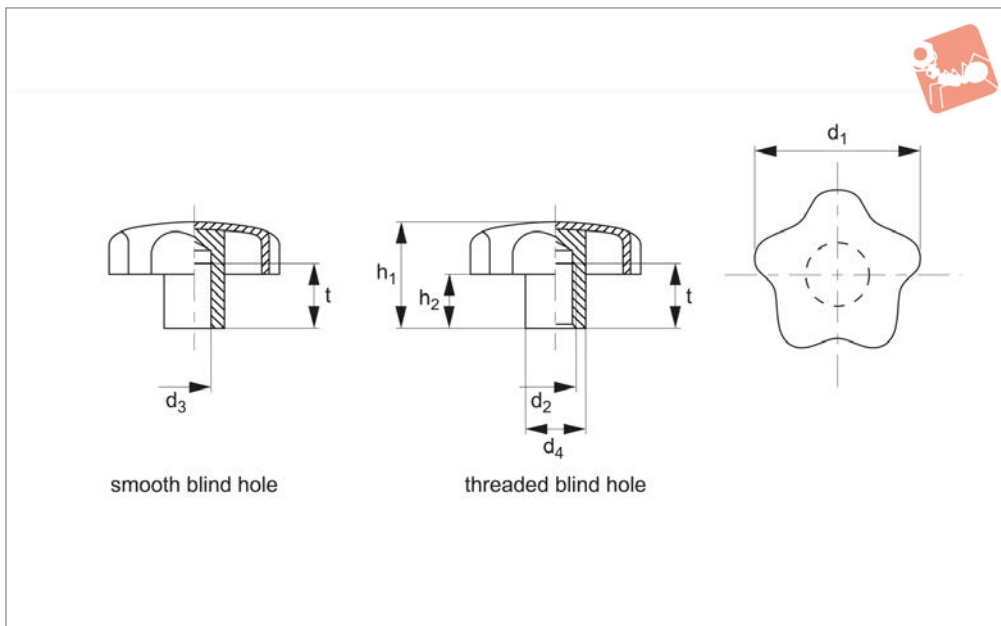


# Star Grips

female, stainless steel



## Grips



**70160**

GRIPS

**Material**

Grip: sheet drawn stainless (AISI 304) dull blasted.

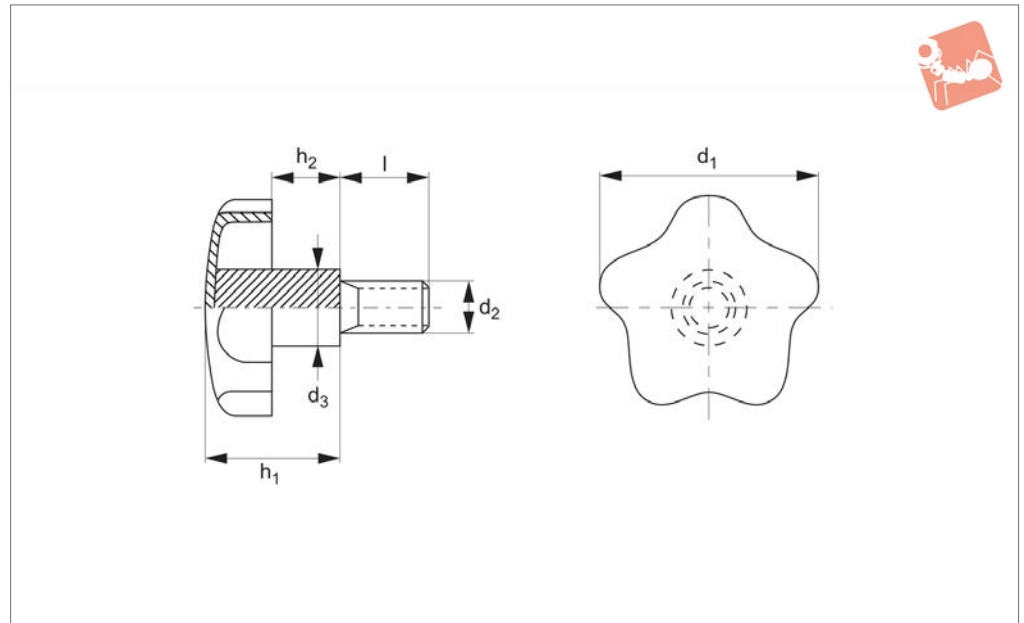
Hub: stainless steel (AISI 304), butt-welded.

Order No.	Finish	d <sub>1</sub>	d <sub>2</sub>	d <sub>3</sub> tol. H7	d <sub>4</sub>	h <sub>1</sub>	h <sub>2</sub>	t min.	Weight g
<b>70160.W0240</b>	Smooth, Blind	40	-	8	14	25	12.5	15	29
<b>70160.W0250</b>	Smooth, Blind	50	-	10	18	32	17.5	18	67
<b>70160.W0260</b>	Smooth, Blind	60	-	12	20	40	21.0	22	110
<b>70160.W0440</b>	Threaded, Blind	40	M 8	-	14	25	12.5	15	37
<b>70160.W0450</b>	Threaded, Blind	50	M10	-	18	32	17.5	18	69
<b>70160.W0460</b>	Threaded, Blind	60	M12	-	20	40	21.0	22	112





**70162**

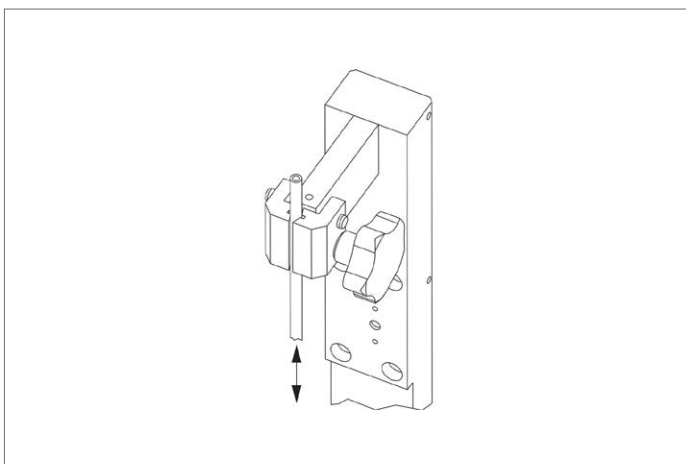


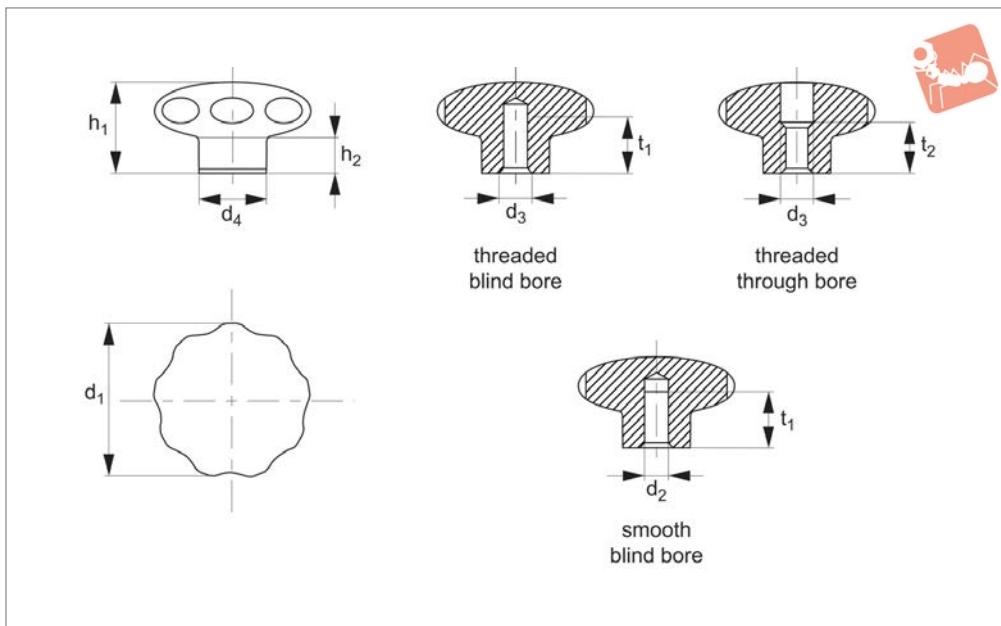
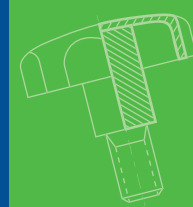
**Material**

Grip: sheet drawn stainless (AISI 304), dull blasted.

Hub: stainless steel (AISI 304), butt-welded.

Order No.	d <sub>1</sub>	d <sub>2</sub>	d <sub>3</sub>	h <sub>1</sub> ≈	h <sub>2</sub> ≈	l	Weight g
70162.W0140	40	M 8	14	24.0	12.0	20	50
70162.W0142	40	M 8	14	24.0	12.0	30	55
70162.W0144	40	M 8	14	24.0	12.0	40	56
70162.W0150	50	M10	18	30.0	16.5	20	95
70162.W0152	50	M10	18	30.0	16.5	30	97
70162.W0154	50	M10	18	30.0	16.5	40	100
70162.W0160	60	M12	20	37.5	20.0	30	155
70162.W0162	60	M12	20	37.5	20.0	40	162
70162.W0164	60	M12	20	37.5	20.0	50	169





**70180**

GRIPS

**Material**

Stainless steel 1.4305 (AISI 303), matt, dull blasted.

development intended for the food processing machinery industry. Large radii and smooth surfaces have been introduced to meet the highest hygienic demands.

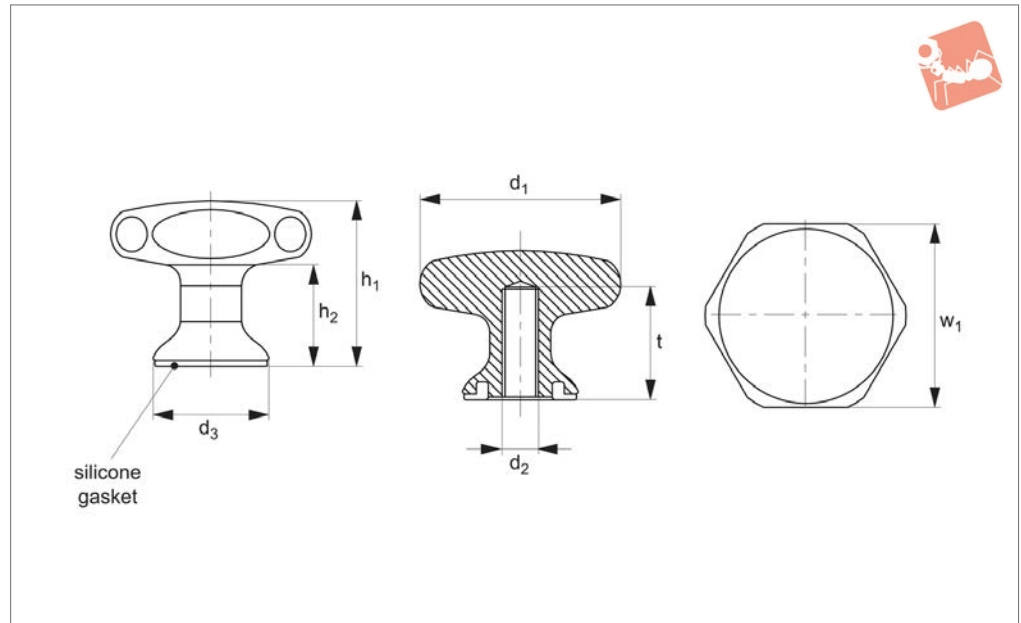
**Technical Notes**

Stainless steel star grips are a special

Order No.	Finish	d <sub>1</sub>	d <sub>2</sub> tol. H7	d <sub>3</sub>	d <sub>4</sub>	h <sub>1</sub>	h <sub>2</sub>	t <sub>1</sub> min.	t <sub>2</sub>	Weight g
70180.W0040	Threaded, Blind	40	-	M 6	18	30.5	15	12	-	134
70180.W0041	Threaded, Blind	40	-	M 8	18	30.5	15	12	-	132
70180.W0050	Threaded, Blind	50	-	M 8	21	34.0	17	15	-	226
70180.W0051	Threaded, Blind	50	-	M10	21	34.0	17	15	-	222
70180.W0060	Threaded, Blind	60	-	M10	25	39.0	18	18	-	395
70180.W0061	Threaded, Blind	60	-	M12	25	39.0	18	18	-	384
70180.W0141	Threaded Through	40	-	M 8	18	30.5	15	-	13	129
70180.W0151	Threaded Through	50	-	M10	21	34.0	17	-	16	216
70180.W0161	Threaded Through	60	-	M12	25	39.0	18	-	20	362
70180.W0240	Smooth, Blind	40	8	-	18	30.5	15	12	-	131
70180.W0250	Smooth, Blind	50	10	-	21	34.0	17	15	-	223
70180.W0260	Smooth, Blind	60	12	-	25	39.0	18	18	-	386



**70190**



**Material**

Stainless steel AISI304  
Blue gasket: silicone

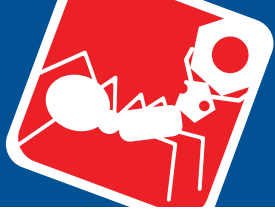
**Tips**

Made to the high „3A“ standard.

This ensures it meets the high standards required for use in food, beverage, pharmaceutical and medical applications. Hygienically designed for effective and easy cleaning, corrosion resistant, non-

toxic. Design precludes contamination by dirt, food particles and organic matter.

Order No.	d <sub>1</sub>	d <sub>2</sub>	d <sub>3</sub>	h <sub>1</sub>	h <sub>2</sub>	t	w <sub>1</sub>
70190.W0027	27	M 5	15	20	13	15	24
70190.W0033	33	M 6	19	24	13	20	30
70190.W0040	40	M 8	25	28	16	20	36
70190.W0050	50	M10	25	30	16	25	46
70190.W0065	65	M12	31	40	24	25	60

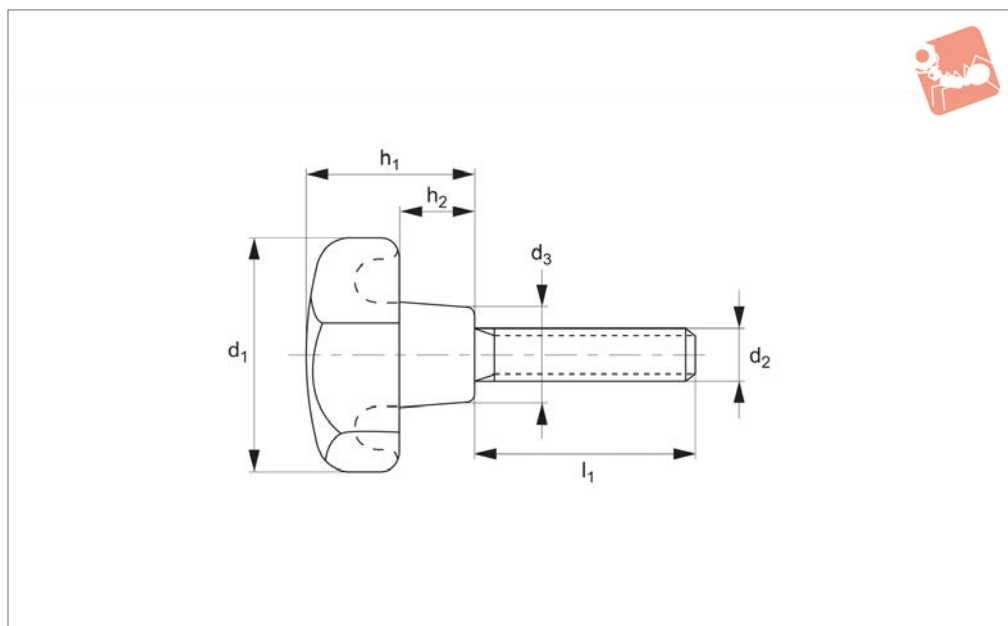


# Star Grips

with grub screw - DIN 6336



## Grips



**70500**

GRIPS

### Material

duroplast PF 31, black.  
Grub screw: steel, galvanised.

Special designs e.g. different lengths or grub screws in brass or stainless steel, on request.

### Technical Notes

Produced to DIN 7708.

Temperature range max. 110°C.  
DIN 6336.

Order No.	Material	d <sub>1</sub>	d <sub>2</sub>	d <sub>3</sub>	h <sub>1</sub>	h <sub>2</sub>	l <sub>1</sub>	Weight g
70500.W0051	Steel	25	M 5	12	16	8	10	7.3
70500.W0054	Steel	25	M 5	12	16	8	15	7.2
70500.W0056	Steel	25	M 5	12	16	8	20	8.7
70500.W0058	Steel	25	M 5	12	16	8	25	8.7
70500.W0060	Steel	25	M 5	12	16	8	30	9.2
70500.W0102	Steel	32	M 6	14	20	10	15	14.0
70500.W0104	Steel	32	M 6	14	20	10	20	14.0
70500.W0106	Steel	32	M 6	14	20	10	25	14.0
70500.W0108	Steel	32	M 6	14	20	10	30	16.0
70500.W0110	Steel	32	M 6	14	20	10	40	17.0
70500.W0152	Steel	40	M 8	18	25	13	20	28.0
70500.W0154	Steel	40	M 8	18	25	13	25	30.0
70500.W0156	Steel	40	M 8	18	25	13	30	32.0
70500.W0158	Steel	40	M 8	18	25	13	40	35.0
70500.W0160	Steel	40	M 8	18	25	13	50	38.0
70500.W0202	Steel	50	M10	22	32	17	25	51.0
70500.W0204	Steel	50	M10	22	32	17	30	54.0
70500.W0206	Steel	50	M10	22	32	17	40	60.0
70500.W0208	Steel	50	M10	22	32	17	50	64.0
70500.W0210	Steel	50	M10	22	32	17	60	77.0
70500.W0252	Steel	63	M12	26	40	21	30	101.0
70500.W0254	Steel	63	M12	26	40	21	40	108.0
70500.W0256	Steel	63	M12	26	40	21	50	115.0
70500.W0258	Steel	63	M12	26	40	21	60	121.0
70500.W0260	Steel	63	M12	26	40	21	80	143.0
70500.W0302	Steel	80	M16	35	50	25	40	223.0
70500.W0304	Steel	80	M16	35	50	25	50	237.0
70500.W0306	Steel	80	M16	35	50	25	60	232.0
70500.W0308	Steel	80	M16	35	50	25	80	274.0
70500.W1051	Stainless Steel	25	M 5	12	16	8	10	7.3
70500.W1054	Stainless Steel	25	M 5	12	16	8	15	7.2
70500.W1056	Stainless Steel	25	M 5	12	16	8	20	8.7

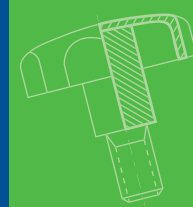


Order No.	Material	d <sub>1</sub>	d <sub>2</sub>	d <sub>3</sub>	h <sub>1</sub>	h <sub>2</sub>	l <sub>1</sub>	Weight g
70500.W1058	Stainless Steel	25	M 5	12	16	8	25	8.7
70500.W1060	Stainless Steel	25	M 5	12	16	8	30	9.2
70500.W1102	Stainless Steel	32	M 6	14	20	10	15	14.0
70500.W1104	Stainless Steel	32	M 6	14	20	10	20	14.0
70500.W1106	Stainless Steel	32	M 6	14	20	10	25	14.0
70500.W1108	Stainless Steel	32	M 6	14	20	10	30	16.0
70500.W1110	Stainless Steel	32	M 6	14	20	10	40	17.0
70500.W1152	Stainless Steel	40	M 8	18	25	13	20	28.0
70500.W1154	Stainless Steel	40	M 8	18	25	13	25	30.0
70500.W1156	Stainless Steel	40	M 8	18	25	13	30	32.0
70500.W1158	Stainless Steel	40	M 8	18	25	13	40	35.0
70500.W1160	Stainless Steel	40	M 8	18	25	13	50	38.0
70500.W1202	Stainless Steel	50	M10	22	32	17	25	51.0
70500.W1204	Stainless Steel	50	M10	22	32	17	30	54.0
70500.W1206	Stainless Steel	50	M10	22	32	17	40	60.0
70500.W1208	Stainless Steel	50	M10	22	32	17	50	64.0
70500.W1210	Stainless Steel	50	M10	22	32	17	60	77.0
70500.W1252	Stainless Steel	63	M12	26	40	21	30	101.0
70500.W1254	Stainless Steel	63	M12	26	40	21	40	108.0
70500.W1256	Stainless Steel	63	M12	26	40	21	50	115.0
70500.W1258	Stainless Steel	63	M12	26	40	21	60	121.0
70500.W1260	Stainless Steel	63	M12	26	40	21	80	143.0
70500.W1302	Stainless Steel	80	M16	35	50	25	40	223.0
70500.W1304	Stainless Steel	80	M16	35	50	25	50	237.0
70500.W1306	Stainless Steel	80	M16	35	50	25	60	232.0
70500.W1308	Stainless Steel	80	M16	35	50	25	80	274.0

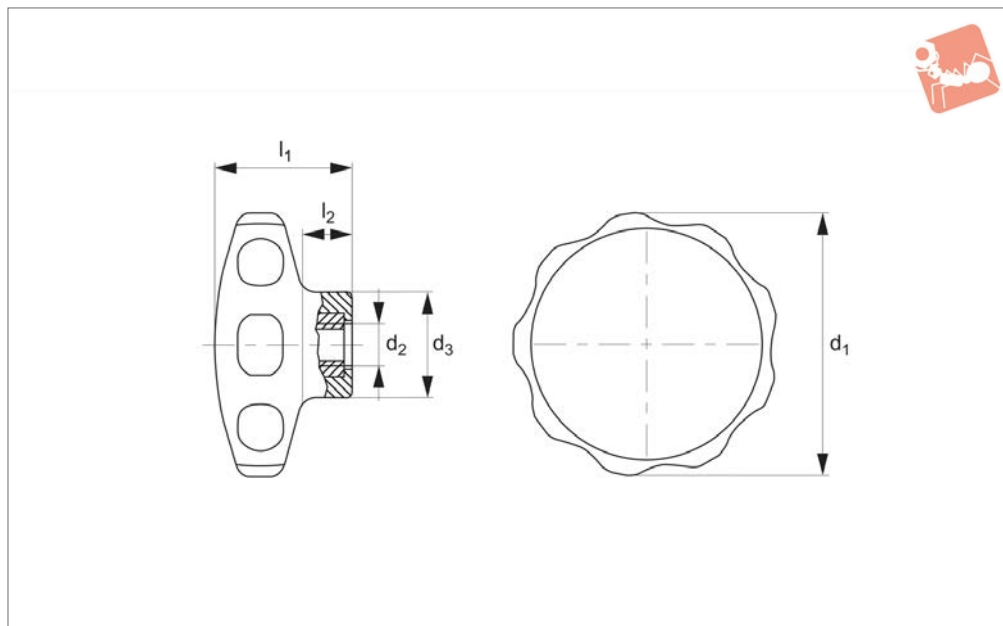


# Star Grips

with stainless steel bush



# Grips



**70600**

GRIPS

### Material

Grip: thermoplast (PA 6) Black RAL 9005.  
 Cap: thermoplast (PA 6)  
 Black RAL 9005, White RAL 9019, Yellow  
 RAL 1016, Orange RAL 2004, Blue RAL

5015.

Threaded bush: stainless steel.

### Technical Notes

Temperature range - 30°C to + 80°C.

Special types e.g, differing threads  
 available on request, subject to minimum  
 quantity.

Order No.	Colour	d <sub>1</sub>	d <sub>2</sub>	d <sub>3</sub>	l <sub>1</sub>	l <sub>2</sub>	Weight g
70600.W0030	Black	30	M 4	14.0	19	7	5.3
70600.W0031	White	30	M 4	14.0	19	7	5.3
70600.W0032	Orange	30	M 4	14.0	19	7	5.3
70600.W0033	Yellow	30	M 4	14.0	19	7	5.3
70600.W0034	Blue	30	M 4	14.0	19	7	5.3
70600.W0035	Black	30	M 5	14.0	19	7	5.7
70600.W0036	White	30	M 5	14.0	19	7	5.7
70600.W0037	Orange	30	M 5	14.0	19	7	5.7
70600.W0038	Yellow	30	M 5	14.0	19	7	5.7
70600.W0039	Blue	30	M 5	14.0	19	7	5.7
70600.W0040	Black	40	M 5	16.5	22	9	8.2
70600.W0041	White	40	M 5	16.5	22	9	8.2
70600.W0042	Orange	40	M 5	16.5	22	9	8.2
70600.W0043	Yellow	40	M 5	16.5	22	9	8.2
70600.W0044	Blue	40	M 5	16.5	22	9	8.2
70600.W0045	Black	40	M 6	16.5	22	9	9.5
70600.W0046	White	40	M 6	16.5	22	9	9.5
70600.W0047	Orange	40	M 6	16.5	22	9	9.5
70600.W0048	Yellow	40	M 6	16.5	22	9	9.5
70600.W0049	Blue	40	M 6	16.5	22	9	9.5
70600.W0050	Black	50	M 6	22.0	26	10	16.0
70600.W0051	White	50	M 6	22.0	26	10	16.0
70600.W0052	Orange	50	M 6	22.0	26	10	16.0
70600.W0053	Yellow	50	M 6	22.0	26	10	16.0
70600.W0054	Blue	50	M 6	22.0	26	10	16.0
70600.W0055	Black	50	M 8	22.0	26	10	19.0
70600.W0056	White	50	M 8	22.0	26	10	19.0
70600.W0057	Orange	50	M 8	22.0	26	10	19.0
70600.W0058	Yellow	50	M 8	22.0	26	10	19.0
70600.W0059	Blue	50	M 8	22.0	26	10	19.0
70600.W0060	Black	62	M 8	22.0	35	13	19.0
70600.W0061	White	62	M 8	22.0	35	13	19.0
70600.W0062	Orange	62	M 8	22.0	35	13	19.0



## Star Grips

with stainless steel bush



Order No.	Colour	d <sub>1</sub>	d <sub>2</sub>	d <sub>3</sub>	l <sub>1</sub>	l <sub>2</sub>	Weight g
<b>70600.W0063</b>	Yellow	62	M 8	22.0	35	13	19.0
<b>70600.W0064</b>	Blue	62	M 8	22.0	35	13	19.0
<b>70600.W0065</b>	Black	62	M10	22.0	35	13	39.0
<b>70600.W0066</b>	White	62	M10	22.0	35	13	39.0
<b>70600.W0067</b>	Orange	62	M10	22.0	35	13	39.0
<b>70600.W0068</b>	Yellow	62	M10	22.0	35	13	39.0
<b>70600.W0069</b>	Blue	62	M10	22.0	35	13	39.0



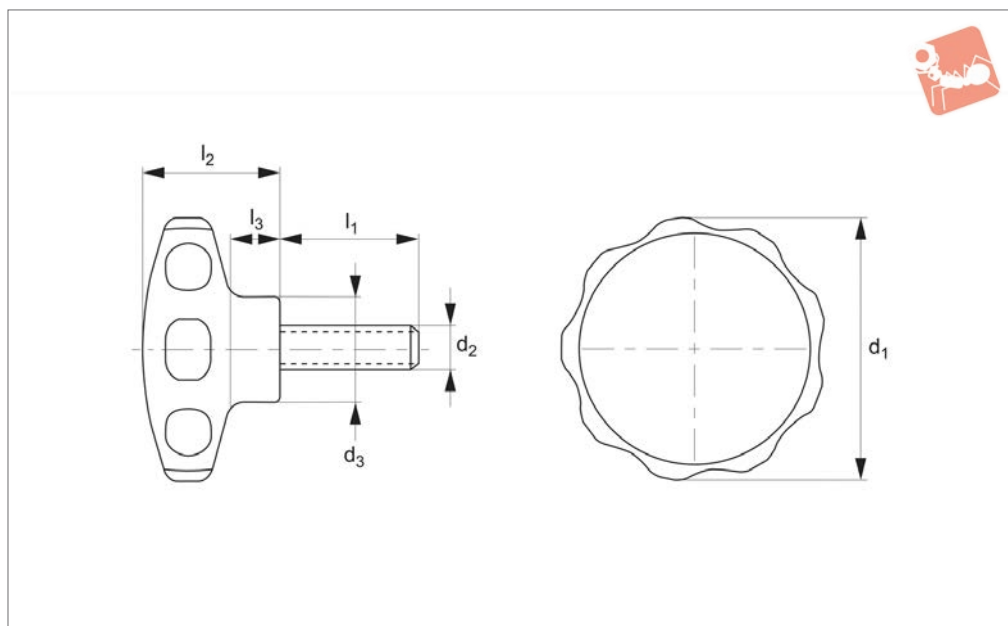


# Star Grips

with stainless steel grub screw



## Grips



**70610**

GRIPS

### Material

Grip: thermoplast (PA 6) Black RAL 9005.  
 Cap: thermoplast (PA 6)  
 Black RAL 9005, white RAL 9019, orange  
 RAL 2004, yellow RAL 1016, blue RAL

5015.

Threaded bush: stainless steel.

### Technical Notes

Temperature range -30°C to +80°C.

Special types e.g. differing threads  
 available on request, subject to minimum  
 order quantity.

Order No.	Colour	d <sub>1</sub>	d <sub>2</sub>	d <sub>3</sub>	l <sub>1</sub>	l <sub>2</sub>	l <sub>3</sub>	Weight g
70610.W0100	Black	30	M 4	14.0	10	19	7	6.1
70610.W0101	White	30	M 4	14.0	10	19	7	6.1
70610.W0102	Orange	30	M 4	14.0	10	19	7	6.1
70610.W0103	Yellow	30	M 4	14.0	10	19	7	6.1
70610.W0104	Blue	30	M 4	14.0	10	19	7	6.1
70610.W0110	Black	30	M 4	14.0	14	19	7	6.6
70610.W0111	White	30	M 4	14.0	14	19	7	6.6
70610.W0112	Orange	30	M 4	14.0	14	19	7	6.6
70610.W0113	Yellow	30	M 4	14.0	14	19	7	6.6
70610.W0114	Blue	30	M 4	14.0	14	19	7	6.6
70610.W0120	Black	30	M 4	14.0	18	19	7	6.9
70610.W0121	White	30	M 4	14.0	18	19	7	6.9
70610.W0122	Orange	30	M 4	14.0	18	19	7	6.9
70610.W0123	Yellow	30	M 4	14.0	18	19	7	6.9
70610.W0124	Blue	30	M 4	14.0	18	19	7	6.9
70610.W0130	Black	30	M 4	14.0	23	19	7	7.3
70610.W0131	White	30	M 4	14.0	23	19	7	7.3
70610.W0132	Orange	30	M 4	14.0	23	19	7	7.3
70610.W0133	Yellow	30	M 4	14.0	23	19	7	7.3
70610.W0134	Blue	30	M 4	14.0	23	19	7	7.3
70610.W0140	Black	30	M 4	14.0	28	19	7	7.7
70610.W0141	White	30	M 4	14.0	28	19	7	7.7
70610.W0142	Orange	30	M 4	14.0	28	19	7	7.7
70610.W0143	Yellow	30	M 4	14.0	28	19	7	7.7
70610.W0144	Blue	30	M 4	14.0	28	19	7	7.7
70610.W0150	Black	30	M 5	14.0	10	19	7	7.1
70610.W0151	White	30	M 5	14.0	10	19	7	7.1
70610.W0152	Orange	30	M 5	14.0	10	19	7	7.1
70610.W0153	Yellow	30	M 5	14.0	10	19	7	7.1
70610.W0154	Blue	30	M 5	14.0	10	19	7	7.1
70610.W0160	Black	30	M 5	14.0	14	19	7	7.9
70610.W0161	White	30	M 5	14.0	14	19	7	7.9
70610.W0162	Orange	30	M 5	14.0	14	19	7	7.9



Order No.	Colour	d <sub>1</sub>	d <sub>2</sub>	d <sub>3</sub>	l <sub>1</sub>	l <sub>2</sub>	l <sub>3</sub>	Weight g
70610.W0163	Yellow	30	M 5	14.0	14	19	7	7.9
70610.W0164	Blue	30	M 5	14.0	14	19	7	7.9
70610.W0170	Black	30	M 5	14.0	18	19	7	8.4
70610.W0171	White	30	M 5	14.0	18	19	7	8.4
70610.W0172	Orange	30	M 5	14.0	18	19	7	8.4
70610.W0173	Yellow	30	M 5	14.0	18	19	7	8.4
70610.W0174	Blue	30	M 5	14.0	18	19	7	8.4
70610.W0180	Black	30	M 5	14.0	23	19	7	9.0
70610.W0181	White	30	M 5	14.0	23	19	7	9.0
70610.W0182	Orange	30	M 5	14.0	23	19	7	9.0
70610.W0183	Yellow	30	M 5	14.0	23	19	7	9.0
70610.W0184	Blue	30	M 5	14.0	23	19	7	9.0
70610.W0190	Black	30	M 5	14.0	28	19	7	9.0
70610.W0191	White	30	M 5	14.0	28	19	7	9.0
70610.W0192	Orange	30	M 5	14.0	28	19	7	9.0
70610.W0193	Yellow	30	M 5	14.0	28	19	7	9.0
70610.W0194	Blue	30	M 5	14.0	28	19	7	9.0
70610.W0200	Black	40	M 5	16.5	10	22	9	9.6
70610.W0201	White	40	M 5	16.5	10	22	9	9.6
70610.W0202	Orange	40	M 5	16.5	10	22	9	9.6
70610.W0203	Yellow	40	M 5	16.5	10	22	9	9.6
70610.W0204	Blue	40	M 5	16.5	10	22	9	9.6
70610.W0210	Black	40	M 5	16.5	14	22	9	10.0
70610.W0211	White	40	M 5	16.5	14	22	9	10.0
70610.W0212	Orange	40	M 5	16.5	14	22	9	10.0
70610.W0213	Yellow	40	M 5	16.5	14	22	9	10.0
70610.W0214	Blue	40	M 5	16.5	14	22	9	10.0
70610.W0220	Black	40	M 5	16.5	18	22	9	11.0
70610.W0221	White	40	M 5	16.5	18	22	9	11.0
70610.W0222	Orange	40	M 5	16.5	18	22	9	11.0
70610.W0223	Yellow	40	M 5	16.5	18	22	9	11.0
70610.W0224	Blue	40	M 5	16.5	18	22	9	11.0
70610.W0230	Black	40	M 5	16.5	23	22	9	12.0
70610.W0231	White	40	M 5	16.5	23	22	9	12.0
70610.W0232	Orange	40	M 5	16.5	23	22	9	12.0
70610.W0233	Yellow	40	M 5	16.5	23	22	9	12.0
70610.W0234	Blue	40	M 5	16.5	23	22	9	12.0
70610.W0250	Black	40	M 6	16.5	14	22	9	12.0
70610.W0251	White	40	M 6	16.5	14	22	9	12.0
70610.W0252	Orange	40	M 6	16.5	14	22	9	12.0
70610.W0253	Yellow	40	M 6	16.5	14	22	9	12.0
70610.W0254	Blue	40	M 6	16.5	14	22	9	12.0
70610.W0260	Black	40	M 6	16.5	18	22	9	13.0
70610.W0261	White	40	M 6	16.5	18	22	9	13.0
70610.W0262	Orange	40	M 6	16.5	18	22	9	13.0
70610.W0263	Yellow	40	M 6	16.5	18	22	9	13.0
70610.W0264	Blue	40	M 6	16.5	18	22	9	13.0
70610.W0270	Black	40	M 6	16.5	23	22	9	14.0
70610.W0271	White	40	M 6	16.5	23	22	9	14.0
70610.W0272	Orange	40	M 6	16.5	23	22	9	14.0
70610.W0273	Yellow	40	M 6	16.5	23	22	9	14.0
70610.W0274	Blue	40	M 6	16.5	23	22	9	14.0
70610.W0280	Black	40	M 6	16.5	28	22	9	15.0
70610.W0281	White	40	M 6	16.5	28	22	9	15.0
70610.W0282	Orange	40	M 6	16.5	28	22	9	15.0
70610.W0283	Yellow	40	M 6	16.5	28	22	9	15.0
70610.W0284	Blue	40	M 6	16.5	28	22	9	15.0
70610.W0290	Black	40	M 6	16.5	38	22	9	16.0
70610.W0291	White	40	M 6	16.5	38	22	9	16.0
70610.W0292	Orange	40	M 6	16.5	38	22	9	16.0
70610.W0293	Yellow	40	M 6	16.5	38	22	9	16.0
70610.W0294	Blue	40	M 6	16.5	38	22	9	16.0
70610.W0300	Black	50	M 6	22.0	14	26	10	19.0
70610.W0301	White	50	M 6	22.0	14	26	10	19.0
70610.W0302	Orange	50	M 6	22.0	14	26	10	19.0
70610.W0303	Yellow	50	M 6	22.0	14	26	10	19.0
70610.W0304	Blue	50	M 6	22.0	14	26	10	19.0
70610.W0310	Black	50	M 6	22.0	18	26	10	19.0



# Star Grips

with stainless steel grub screw



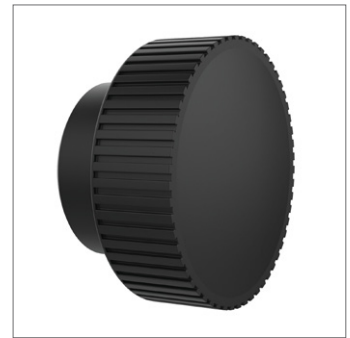
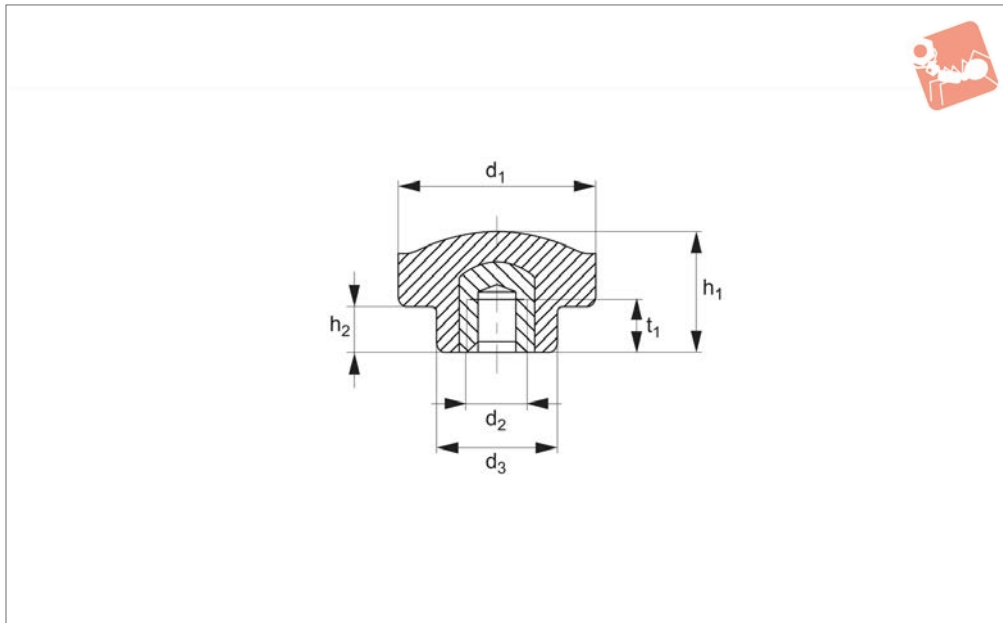
## Grips

Order No.	Colour	d <sub>1</sub>	d <sub>2</sub>	d <sub>3</sub>	l <sub>1</sub>	l <sub>2</sub>	l <sub>3</sub>	Weight g
70610.W0311	White	50	M 6	22.0	18	26	10	19.0
70610.W0312	Orange	50	M 6	22.0	18	26	10	19.0
70610.W0313	Yellow	50	M 6	22.0	18	26	10	19.0
70610.W0314	Blue	50	M 6	22.0	18	26	10	19.0
70610.W0320	Black	50	M 6	22.0	23	26	10	20.0
70610.W0321	White	50	M 6	22.0	23	26	10	20.0
70610.W0322	Orange	50	M 6	22.0	23	26	10	20.0
70610.W0323	Yellow	50	M 6	22.0	23	26	10	20.0
70610.W0324	Blue	50	M 6	22.0	23	26	10	20.0
70610.W0330	Black	50	M 6	22.0	28	26	10	21.0
70610.W0331	White	50	M 6	22.0	28	26	10	21.0
70610.W0332	Orange	50	M 6	22.0	28	26	10	21.0
70610.W0333	Yellow	50	M 6	22.0	28	26	10	21.0
70610.W0334	Blue	50	M 6	22.0	28	26	10	21.0
70610.W0340	Black	50	M 6	22.0	38	26	10	23.0
70610.W0341	White	50	M 6	22.0	38	26	10	23.0
70610.W0342	Orange	50	M 6	22.0	38	26	10	23.0
70610.W0343	Yellow	50	M 6	22.0	38	26	10	23.0
70610.W0344	Blue	50	M 6	22.0	38	26	10	23.0
70610.W0350	Black	50	M 8	22.0	18	26	10	26.0
70610.W0351	White	50	M 8	22.0	18	26	10	26.0
70610.W0352	Orange	50	M 8	22.0	18	26	10	26.0
70610.W0353	Yellow	50	M 8	22.0	18	26	10	26.0
70610.W0354	Blue	50	M 8	22.0	18	26	10	26.0
70610.W0360	Black	50	M 8	22.0	23	26	10	27.0
70610.W0361	White	50	M 8	22.0	23	26	10	27.0
70610.W0362	Orange	50	M 8	22.0	23	26	10	27.0
70610.W0363	Yellow	50	M 8	22.0	23	26	10	27.0
70610.W0364	Blue	50	M 8	22.0	23	26	10	27.0
70610.W0370	Black	50	M 8	22.0	28	26	10	29.0
70610.W0371	White	50	M 8	22.0	28	26	10	29.0
70610.W0372	Orange	50	M 8	22.0	28	26	10	29.0
70610.W0373	Yellow	50	M 8	22.0	28	26	10	29.0
70610.W0374	Blue	50	M 8	22.0	28	26	10	29.0
70610.W0380	Black	50	M 8	22.0	38	26	10	32.0
70610.W0381	White	50	M 8	22.0	38	26	10	32.0
70610.W0382	Orange	50	M 8	22.0	38	26	10	32.0
70610.W0383	Yellow	50	M 8	22.0	38	26	10	32.0
70610.W0384	Blue	50	M 8	22.0	38	26	10	32.0
70610.W0390	Black	50	M 8	22.0	48	26	10	35.0
70610.W0391	White	50	M 8	22.0	48	26	10	35.0
70610.W0392	Orange	50	M 8	22.0	48	26	10	35.0
70610.W0393	Yellow	50	M 8	22.0	48	26	10	35.0
70610.W0394	Blue	50	M 8	22.0	48	26	10	35.0
70610.W0400	Black	62	M 8	22.0	18	35	13	40.0
70610.W0401	White	62	M 8	22.0	18	35	13	40.0
70610.W0402	Orange	62	M 8	22.0	18	35	13	40.0
70610.W0403	Yellow	62	M 8	22.0	18	35	13	40.0
70610.W0404	Blue	62	M 8	22.0	18	35	13	40.0
70610.W0410	Black	62	M 8	22.0	23	35	13	41.0
70610.W0411	White	62	M 8	22.0	23	35	13	41.0
70610.W0412	Orange	62	M 8	22.0	23	35	13	41.0
70610.W0413	Yellow	62	M 8	22.0	23	35	13	41.0
70610.W0414	Blue	62	M 8	22.0	23	35	13	41.0
70610.W0420	Black	62	M 8	22.0	28	35	13	43.0
70610.W0421	White	62	M 8	22.0	28	35	13	43.0
70610.W0422	Orange	62	M 8	22.0	28	35	13	43.0
70610.W0423	Yellow	62	M 8	22.0	28	35	13	43.0
70610.W0424	Blue	62	M 8	22.0	28	35	13	43.0
70610.W0430	Black	62	M 8	22.0	38	35	13	46.0
70610.W0431	White	62	M 8	22.0	38	35	13	46.0
70610.W0432	Orange	62	M 8	22.0	38	35	13	46.0
70610.W0433	Yellow	62	M 8	22.0	38	35	13	46.0
70610.W0434	Blue	62	M 8	22.0	38	35	13	46.0
70610.W0440	Black	62	M 8	22.0	48	35	13	49.0
70610.W0441	White	62	M 8	22.0	48	35	13	49.0
70610.W0442	Orange	62	M 8	22.0	48	35	13	49.0
70610.W0443	Yellow	62	M 8	22.0	48	35	13	49.0

GRIPS



Order No.	Colour	d <sub>1</sub>	d <sub>2</sub>	d <sub>3</sub>	l <sub>1</sub>	l <sub>2</sub>	l <sub>3</sub>	Weight g
70610.W0444	Blue	62	M 8	22.0	48	35	13	49.0
70610.W0450	Black	62	M10	22.0	23	35	13	51.0
70610.W0451	White	62	M10	22.0	23	35	13	51.0
70610.W0452	Orange	62	M10	22.0	23	35	13	51.0
70610.W0453	Yellow	62	M10	22.0	23	35	13	51.0
70610.W0454	Blue	62	M10	22.0	23	35	13	51.0
70610.W0460	Black	62	M10	22.0	28	35	13	54.0
70610.W0461	White	62	M10	22.0	28	35	13	54.0
70610.W0462	Orange	62	M10	22.0	28	35	13	54.0
70610.W0463	Yellow	62	M10	22.0	28	35	13	54.0
70610.W0464	Blue	62	M10	22.0	28	35	13	54.0
70610.W0470	Black	62	M10	22.0	38	35	13	59.0
70610.W0471	White	62	M10	22.0	38	35	13	59.0
70610.W0472	Orange	62	M10	22.0	38	35	13	59.0
70610.W0473	Yellow	62	M10	22.0	38	35	13	59.0
70610.W0474	Blue	62	M10	22.0	38	35	13	59.0
70610.W0480	Black	62	M10	22.0	48	35	13	64.0
70610.W0481	White	62	M10	22.0	48	35	13	64.0
70610.W0482	Orange	62	M10	22.0	48	35	13	64.0
70610.W0483	Yellow	62	M10	22.0	48	35	13	64.0
70610.W0484	Blue	62	M10	22.0	48	35	13	64.0
70610.W0490	Black	62	M10	22.0	58	35	13	69.0
70610.W0491	White	62	M10	22.0	58	35	13	69.0
70610.W0492	Orange	62	M10	22.0	58	35	13	69.0
70610.W0493	Yellow	62	M10	22.0	58	35	13	69.0
70610.W0494	Blue	62	M10	22.0	58	35	13	69.0



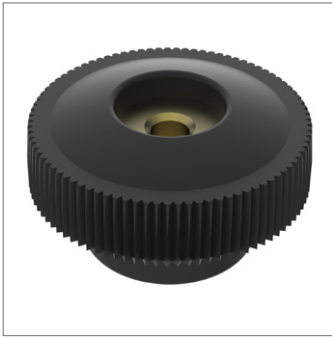
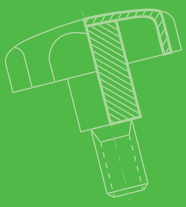
## 72410

GRIPS

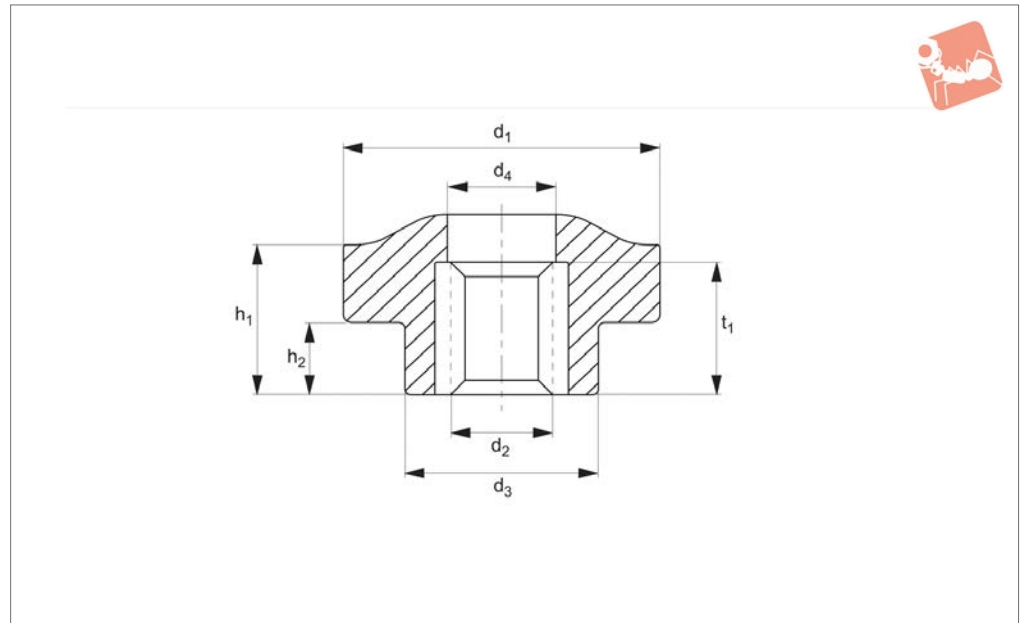
### Material

Brass bush with tapped hole. Thermoplastic, black, matt.

Order No.	d <sub>1</sub>	d <sub>2</sub>	d <sub>3</sub>	h <sub>1</sub>	h <sub>2</sub>	t <sub>1</sub>	Weight g
72410.W0224	22	M 4	15	14	6	8	7
72410.W0225	22	M 5	15	14	6	8	8
72410.W0226	22	M 6	15	14	6	8	8
72410.W0228	22	M 8	15	14	6	8	7
72410.W0244	24	M 4	15	14	6	8	8
72410.W0245	24	M 5	15	14	6	8	9
72410.W0246	24	M 6	15	14	6	8	7
72410.W0248	24	M 8	15	14	6	8	8
72410.W0264	26	M 4	16	15	6	8	11
72410.W0265	26	M 5	16	15	6	8	11
72410.W0266	26	M 6	16	15	6	8	11
72410.W0268	26	M 8	16	15	6	8	10



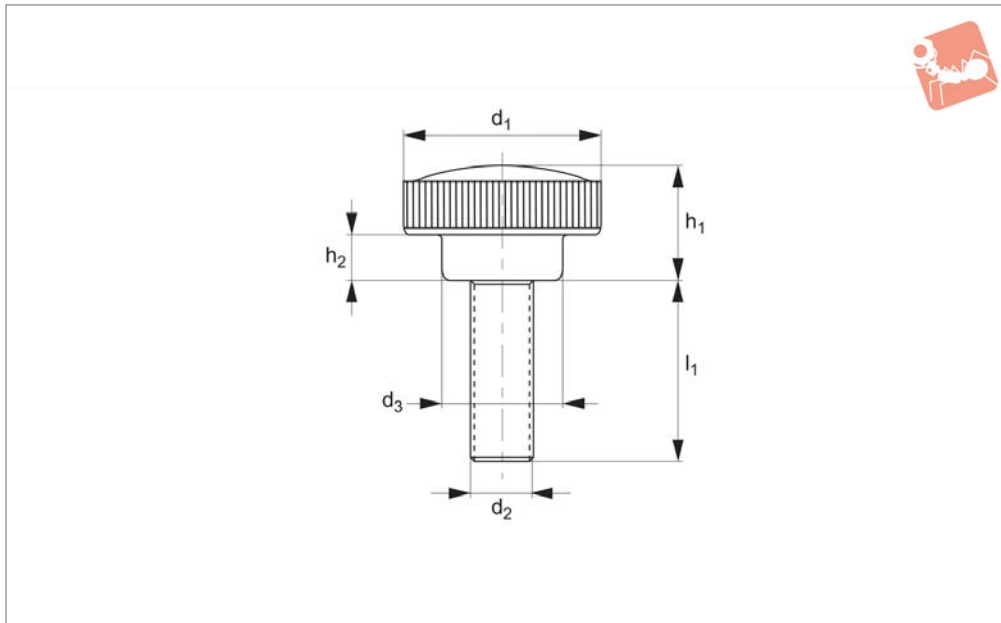
72420



#### Material

Brass bush with tapped through hole.  
Thermoplastic, black, matt.

Order No.	$d_1$	$d_2$	$d_3$	$d_4$	$h_1$	$h_2$	$t_1$	Weight g
72420.W0154	15	M 4	11	7	14	7	11	4
72420.W0155	15	M 5	11	7	14	7	11	4
72420.W0224	22	M 4	15	9	14	6	11	7
72420.W0225	22	M 5	15	9	14	6	11	7
72420.W0226	22	M 6	15	9	14	6	11	7
72420.W0228	22	M 8	15	9	14	6	11	7
72420.W0244	24	M 4	15	9	14	6	11	7
72420.W0245	24	M 5	15	9	14	6	11	9
72420.W0246	24	M 6	15	9	14	6	11	8
72420.W0248	24	M 8	15	9	14	6	11	8
72420.W0264	26	M 4	16	9	15	6	11	9
72420.W0265	26	M 5	16	9	15	6	11	9
72420.W0266	26	M 6	16	9	15	6	11	9
72420.W0268	26	M 8	16	9	15	6	11	9
72420.W0326	32	M 6	19	9	18	8	11	11
72420.W0328	32	M 8	19	9	18	8	11	12



## 72430

GRIPS

### Material

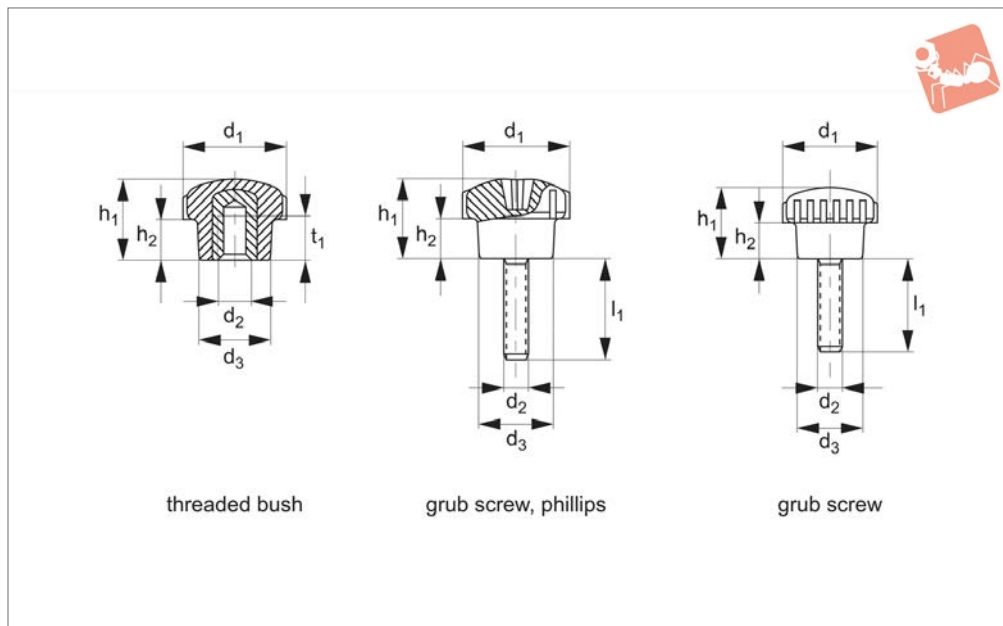
Zinc plated steel stud. Thermoplastic, black, matt.

Order No.	d <sub>1</sub>	d <sub>2</sub>	d <sub>3</sub>	h <sub>1</sub>	h <sub>2</sub>	l <sub>1</sub>	Weight g
72430.W0151	15	M 4	11	14	7	10	4.0
72430.WX151	15	M 4	11	14	7	15	4.0
72430.W0152	15	M 5	11	14	7	10	4.0
72430.W0220	22	M 4	15	14	6	10	6.0
72430.W0221	22	M 4	15	14	6	25	6.0
72430.WX221	22	M 5	10	14	6	15	7.0
72430.W0222	22	M 5	15	14	6	15	7.0
72430.WX222	22	M 6	15	14	6	10	8.0
72430.W0223	22	M 6	15	14	6	15	8.0
72430.WX223	22	M 6	15	14	6	20	9.0
72430.W0224	22	M 6	15	14	6	25	9.0
72430.W0225	22	M 6	15	14	6	30	11.0
72430.WX225	22	M 6	15	14	6	35	12.0
72430.W0226	22	M 6	15	14	6	40	13.0
72430.W0241	24	M 4	15	14	6	10	5.0
72430.W0242	24	M 4	15	14	6	25	6.0
72430.W0243	24	M 5	15	14	6	10	8.0
72430.W0244	24	M 6	15	14	6	10	6.0
72430.WX244	24	M 6	15	14	6	15	10
72430.W0245	24	M 6	15	14	6	25	11.0
72430.W0250	26	M 5	15	14	6	10	9.0
72430.W0261	26	M 5	16	15	6	15	10.0
72430.W0262	26	M 5	16	15	6	25	11.0
72430.WX262	26	M 6	16	15	6	10	10
72430.W0263	26	M 6	16	15	6	15	11.0
72430.W0264	26	M 6	16	15	6	20	12.0
72430.W0265	26	M 6	16	15	6	25	13.0
72430.W0266	26	M 6	16	15	6	40	15.0
72430.W0267	26	M 8	16	15	6	25	17.0
72430.W0268	32	M 6	19	18	8	15	13
72430.W0269	32	M 6	19	18	8	0	14
72430.W0270	32	M 6	19	18	8	25	15
72430.W0271	32	M 6	19	18	8	30	16
72430.W0272	32	M 6	19	18	8	40	18





Order No.	d <sub>1</sub>	d <sub>2</sub>	d <sub>3</sub>	h <sub>1</sub>	h <sub>2</sub>	l <sub>1</sub>	Weight g
72430.W0273	32	M 8	19	18	8	15	19
72430.W0274	32	M 8	19	18	8	25	22
72430.W0275	32	M 8	19	18	8	40	27



## 72440

GRIPS

### Material

Thermoplastic, black.

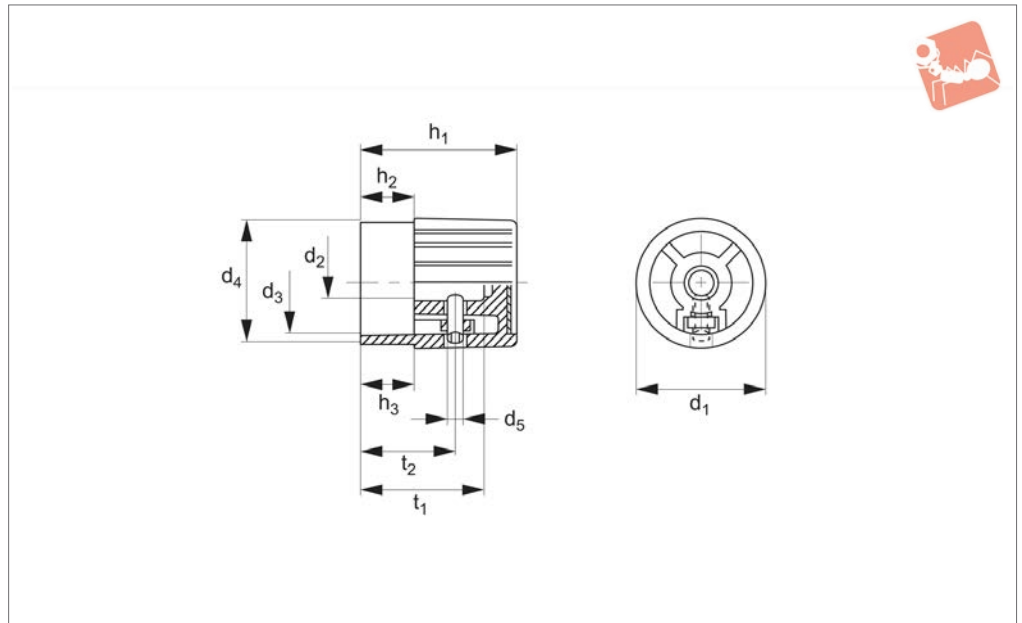
Female type - brass bush.

Male type - zinc plated steel stud.

Order No.	Type	d <sub>1</sub>	d <sub>2</sub>	d <sub>3</sub>	h <sub>1</sub>	h <sub>2</sub>	l <sub>1</sub>	t <sub>1</sub>	Weight g
72440.W0004	Threaded Bush	17	M 4	13	15	8	-	8	6
72440.W0005	Threaded Bush	17	M 5	13	15	8	-	8	6
72440.W0006	Threaded Bush	17	M 6	13	15	8	-	8	6
72440.W0105	Grub Screw, Phillips	17	M 5	13	15	8	20	-	9
72440.W0410	Grub Screw	17	M 4	13	15	8	10	-	4
72440.W0425	Grub Screw	17	M 4	13	15	8	25	-	5
72440.W0515	Grub Screw	17	M 5	13	15	8	15	-	6



**72480**



**Material**

Thermoplastic, black, matt.  
Reinforced glass fibre.

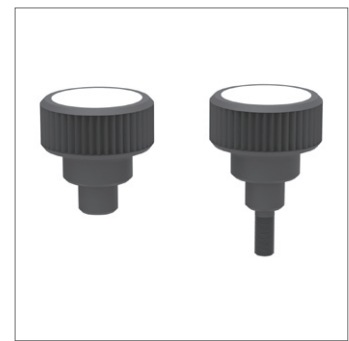
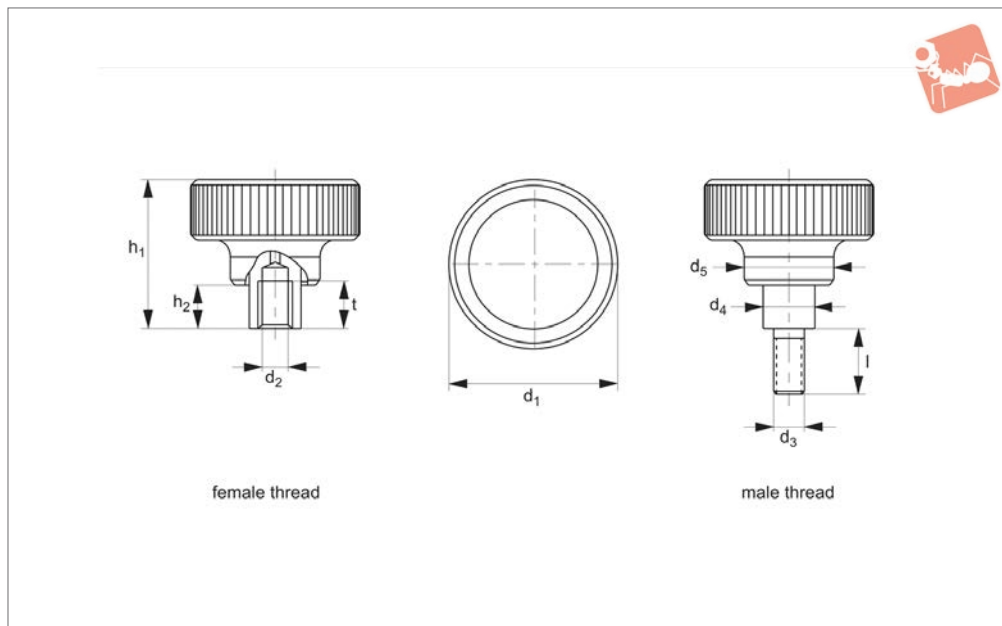
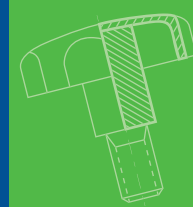
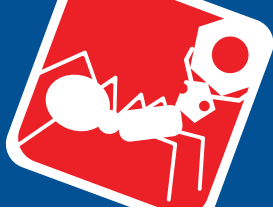
Aluminium cover disk.

**Technical Notes**

Tapped hole with grub screw for mounting

to shaft. „With Index“ model has laser marked index point on diameter.

Order No.	Type	d <sub>1</sub>	d <sub>2</sub>	d <sub>3</sub>	d <sub>4</sub>	d <sub>5</sub>	h <sub>1</sub>	h <sub>2</sub>	h <sub>3</sub>	t <sub>1</sub>	t <sub>2</sub>	Weight g
72480.W0002	W/o Index	27	6	22	25	M 4	30	12	12	25	18	10
72480.W0004	W/o Index	32	8	25	30	M 4	38	13	13	30	23	22
72480.W0006	W/o Index	35	10	28	33	M 5	45	15	15	37	27	30
72480.W0102	With Index	27	6	22	25	M 4	30	12	12	25	18	12
72480.W0104	With Index	32	8	25	30	M 4	38	13	13	30	23	22
72480.W0106	With Index	35	10	28	33	M 5	45	15	15	37	27	30



## 72485

GRIPS

### Material

Cap: thermoplastic PA 6, light grey, similar to RAL 7035

Torque mechanism: Steel, hardened.

Body: Aluminium, black anodised

Inner part: Steel, blackened

### Technical Notes

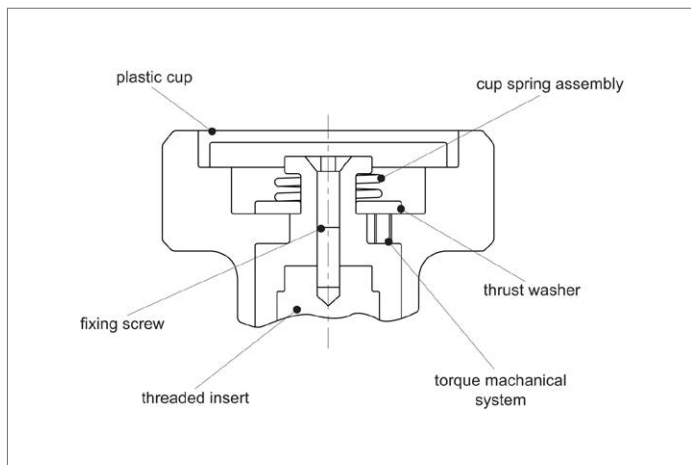
The handle with intergrate torque

mechanism allows a defined torque during tightening. Reaching the torque results in a „over-looking“. For releasing the torque is transmitted indefinitely.

Order No.	Type	d <sub>1</sub>	d <sub>2</sub>	d <sub>3</sub>	d <sub>4</sub>	d <sub>5</sub>	h <sub>1</sub>	h <sub>2</sub>	l	t	Tightening torque Nm ±10% max.	Weight g
72485.W0020	Female	34	M 3	-	10	21	37.5	9.5	-	7	1.0	48
72485.W0022	Female	34	M 4	-	10	21	37.5	9.5	-	9	1.0	48
72485.W0024	Female	34	M 5	-	10	21	37.5	9.5	-	9	1.0	48
72485.W0026	Female	34	M 6	-	10	21	37.5	9.5	-	9	1.0	48
72485.W0030	Female	42	M 6	-	13.5	27	43.5	11.5	-	11	2.0	127
72485.W0032	Female	42	M8	-	13.5	27	43.5	11.5	-	11	2.0	127
72485.W0040	Female	52	M10	-	19	32	54	15.5	-	17	3.0	206
72485.W0042	Female	52	M12	-	19	32	54	15.5	-	17	3	206
72485.W0050	Female	62	M10	-	19	33	54	15.5	-	17	4	285
72485.W0052	Female	62	M12	-	19	33	54	15.5	-	17	4	285
72485.W0060	Female	62	M10	-	19	33	54	15.5	-	17	5.5	285
72485.W0062	Female	62	M12	-	19	33	54	15.5	-	17	5.5	285
72485.W0300	Male	34	-	M 5	10	21	37.5	9.5	12	-	1.0	62
72485.W0301	Male	34	-	M 5	10	21	37.5	9.5	16	-	1.0	63
72485.W0302	Male	34	-	M 5	10	21	37.5	9.5	20	-	1.0	63
72485.W0303	Male	34	-	M 5	10	21	37.5	9.5	25	-	1.0	64
72485.W0304	Male	34	-	M 5	10	21	37.5	9.5	32	-	1.0	65
72485.W0305	Male	34	-	M 6	10	21	37.5	9.5	12	-	1.0	64
72485.W0306	Male	34	-	M 6	10	21	37.5	9.5	16	-	1.0	65
72485.W0307	Male	34	-	M 6	10	21	37.5	9.5	20	-	1.0	66
72485.W0308	Male	34	-	M 5	10	21	37.5	9.5	12	-	1.0	67
72485.W0309	Male	34	-	M 6	10	21	37.5	9.5	32	-	1.0	68
72485.W0400	Male	42	-	M 8	13.5	27	43.5	11.5	16	-	2.0	152
72485.W0401	Male	42	-	M 8	13.5	21	43.5	11.5	20	-	2.0	153
72485.W0402	Male	42	-	M 8	13.5	27	43.5	11.5	25	-	2.0	155
72485.W0403	Male	42	-	M 8	13.5	27	43.5	11.5	32	-	2.0	158
72485.W0404	Male	42	-	M 8	13.5	27	43.5	11.5	40	-	2.0	161
72485.W0405	Male	42	-	M10	13.5	27	43.5	11.5	20	-	2.0	165
72485.W0406	Male	42	-	M10	13.5	27	43.5	11.5	25	-	2.0	170
72485.W0407	Male	42	-	M10	13.5	27	43.5	11.5	32	-	2.0	173
72485.W0408	Male	42	-	M 10	13.5	27	43.5	11.5	40	-	2.0	62
72485.W0409	Male	42	-	M10	13.5	27	43.5	11.5	50	-	2.0	187



Order No.	Type	d <sub>1</sub>	d <sub>2</sub>	d <sub>3</sub>	d <sub>4</sub>	d <sub>5</sub>	h <sub>1</sub>	h <sub>2</sub>	l	t	Tightening torque Nm ±10% max.	Weight g
72485.W0500	Male	52	-	M10	19	32	54	15.5	25	-	3.0	241
72485.W0501	Male	52	-	M10	19	32	54.0	15.5	32	-	3.0	62
72485.W0502	Male	52	-	M10	19	32	54.0	15.5	40	-	3.0	248
72485.W0503	Male	52	-	M10	19	32	54.0	15.5	50	-	3.0	254
72485.W0504	Male	52	-	M10	19	32	54.0	15.5	63	-	3.0	262
72485.W0505	Male	52	-	M12	19	32	54.0	15.5	32	-	3.0	251
72485.W0506	Male	34	-	M12	19	32	54.0	15.5	25	-	3.0	254
72485.W0507	Male	52	-	M12	19	32	54.0	15.5	40	-	3.0	262
72485.W0508	Male	52	-	M12	19	32	54.0	15.5	50	-	3.0	270
72485.W0509	Male	52	-	M12	19	32	54.0	15.5	63	-	3.0	274
72485.W0600	Male	62	-	M10	19	33	54.0	15.5	25	-	4.0	334
72485.W0601	Male	62	-	M10	19	33	54.0	15.5	32	-	4.0	339
72485.W0602	Male	62	-	M10	19	33	54.0	15.5	40	-	4.0	341
72485.W0603	Male	62	-	M10	19	33	54.0	15.5	50	-	4.0	347
72485.W0604	Male	62	-	M10	19	33	54.0	15.5	63	-	4.0	355
72485.W0605	Male	62	-	M12	19	33	54.0	15.5	25	-	4.0	344
72485.W0606	Male	62	-	M12	19	33	54.0	15.5	25	-	4.0	347
72485.W0607	Male	62	-	M12	19	33	54.0	15.5	40	-	4.0	355
72485.W0608	Male	62	-	M12	19	33	54.0	15.5	50	-	4.0	363
72485.W0609	Male	62	-	M12	19	33	54.0	15.5	50	-	4.0	367
72485.W0700	Male	62	-	M10	19	33	54.0	15.5	25	-	5.5	334
72485.W0701	Male	62	-	M10	19	33	54.0	15.5	32	-	4.0	339
72485.W0702	Male	62	-	M10	19	33	54.0	15.5	40	-	5.5	334
72485.W0703	Male	62	-	M10	19	33	54.0	15.5	25	-	5.5	347
72485.W0704	Male	62	-	M10	19	33	54.0	15.5	63	-	5.5	355
72485.W0705	Male	62	-	M12	19	33	54.0	15.5	25	-	5.5	344
72485.W0706	Male	52	-	M12	19	33	54.0	15.5	32	-	4.0	347
72485.W0707	Male	62	-	M12	19	33	54.0	15.5	40	-	5.5	355
72485.W0708	Male	62	-	M12	19	33	54.0	15.5	50	-	5.5	363
72485.W0709	Male	62	-	M12	19	33	54.0	15.5	63	-	5.5	367

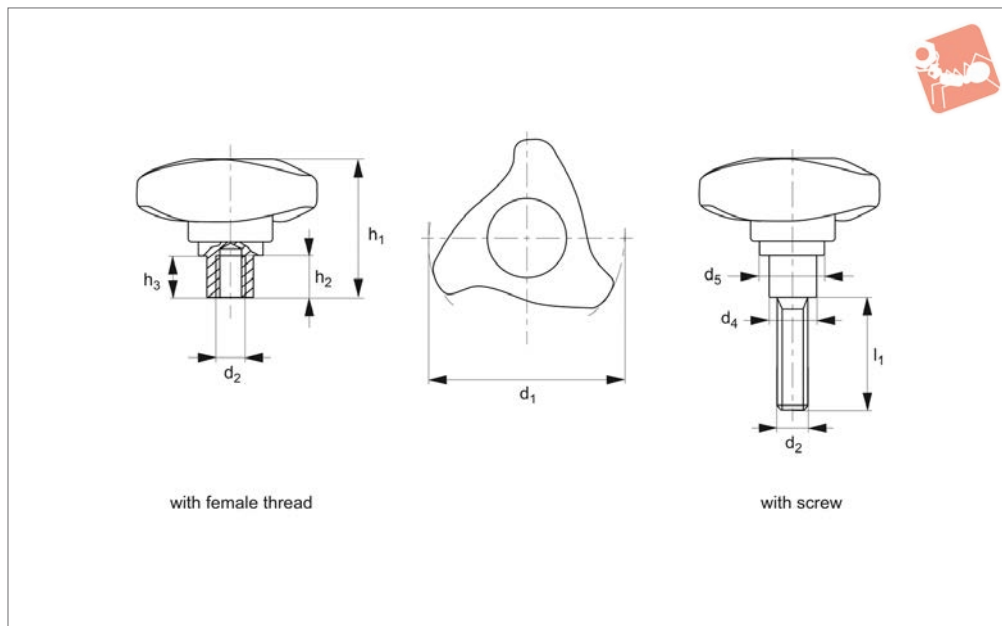




# Three-lobed Torque Handles



## Grips



**72490**

GRIPS

### Material

Screw: steel, blackened.  
 Cap: plastic, light grey.  
 Torque mechanism: steel, hardened.  
 Inner part: steel, blackened.

mechanism allows a defined torque limitation during tightening.  
 Reaching the torque results in an „over-locking“. For releasing the torque is transmitted indefinitely.

Reach: contains SVHC materials > 0,1% w/w.

### Technical Notes

The handle with integrated torque

ROHS compliant.

Order No.	Type	d <sub>1</sub>	d <sub>2</sub>	d <sub>4</sub>	d <sub>5</sub>	h <sub>1</sub>	h <sub>2</sub>	h <sub>3</sub>	l <sub>1</sub>	Tightening torque Nm ±10% max.	Weight g
72490.W0020	With female thread	50	M 6	13.5	23.6	41.6	11	10.7	-	2.0	65
72490.W0021	With female thread	50	M 6	13.5	23.6	41.6	11	10.7	-	3.0	62
72490.W0022	With female thread	50	M 6	13.5	23.6	41.6	11	10.7	-	4.0	63
72490.W0023	With female thread	50	M 6	13.5	23.6	41.6	11	10.7	-	2.0	60
72490.W0024	With female thread	50	M 8	13.5	23.6	41.6	11	10.7	-	3.0	60
72490.W0025	With female thread	50	M 8	13.5	23.6	41.6	11	10.7	-	4.0	64
72490.W0030	With female thread	63	M 8	16.0	28.1	46.6	14	12.9	-	3.2	104
72490.W0031	With female thread	63	M 8	16.0	28.1	46.6	14	12.9	-	4.0	105
72490.W0032	With female thread	63	M 8	16.0	28.1	46.6	14	12.9	-	4.7	107
72490.W0033	With female thread	63	M10	16.0	28.1	46.6	14	12.9	-	3.2	103
72490.W0034	With female thread	63	M10	16.0	28.1	46.6	14	12.9	-	4.0	102
72490.W0035	With female thread	63	M10	16.0	28.1	46.6	14	12.9	-	4.7	103
72490.W0040	With female thread	80	M10	19.0	34.1	56.2	17	16.8	-	4.0	172
72490.W0041	With female thread	80	M10	19.0	34.1	56.2	17	16.8	-	5.5	173
72490.W0042	With female thread	80	M10	19.0	34.1	56.2	17	16.8	-	7.5	174
72490.W0043	With female thread	80	M12	19.0	34.1	56.2	17	16.8	-	4.0	167
72490.W0044	With female thread	80	M12	19.0	34.1	56.2	17	16.8	-	5.5	168
72490.W0045	With female thread	80	M12	19.0	34.1	56.2	17	16.8	-	7.5	171
72490.W0300	With screw	50	M 8	13.5	23.6	41.6	-	10.7	16	2.0	72
72490.W0301	With screw	50	M 8	13.5	23.6	41.6	-	10.7	16	3.0	75
72490.W0302	With screw	50	M 8	13.5	23.6	41.6	-	10.7	16	4.0	76
72490.W0303	With screw	50	M 8	13.5	23.6	41.6	-	10.7	20	2.0	70
72490.W0304	With screw	50	M 8	13.5	23.6	41.6	-	10.7	20	3.0	73
72490.W0305	With screw	50	M 8	13.5	23.6	41.6	-	10.7	20	4.0	71
72490.W0306	With screw	50	M 8	13.5	23.6	41.6	-	10.7	25	2.0	72
72490.W0307	With screw	50	M 8	13.5	23.6	41.6	-	10.7	25	3.0	72
72490.W0308	With screw	50	M 8	13.5	23.6	41.6	-	10.7	25	4.0	73
72490.W0309	With screw	50	M 8	13.5	23.6	41.6	-	10.7	32	2.0	77
72490.W0310	With screw	50	M 8	13.5	23.6	41.6	-	10.7	32	3.0	74

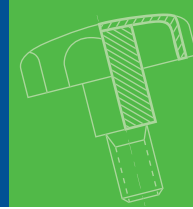


Order No.	Type	d <sub>1</sub>	d <sub>2</sub>	d <sub>4</sub>	d <sub>5</sub>	h <sub>1</sub>	h <sub>2</sub>	h <sub>3</sub>	l <sub>1</sub>	Tightening torque Nm ±10% max.	Weight g
72490.W0311	With screw	50	M 8	13.5	23.6	41.6	–	10.7	32	4.0	75
72490.W0312	With screw	50	M 8	13.5	23.6	41.6	–	10.7	40	2.0	76
72490.W0313	With screw	50	M 8	13.5	23.6	41.6	–	10.7	40	3.0	76
72490.W0314	With screw	50	M 8	13.5	23.6	41.6	–	10.7	40	4.0	77
72490.W0315	With screw	50	M10	13.5	23.6	41.6	–	10.7	20	2.0	73
72490.W0316	With screw	50	M10	13.5	23.6	41.6	–	10.7	20	3.0	73
72490.W0317	With screw	50	M10	13.5	23.6	41.6	–	10.7	20	4.0	74
72490.W0318	With screw	50	M10	13.5	23.6	41.6	–	10.7	25	2.0	76
72490.W0319	With screw	50	M10	13.5	23.6	41.6	–	10.7	25	3.0	76
72490.W0320	With screw	50	M10	13.5	23.6	41.6	–	10.7	25	4.0	77
72490.W0321	With screw	50	M10	13.5	23.6	41.6	–	10.7	32	2.0	80
72490.W0322	With screw	50	M10	13.5	23.6	41.6	–	10.7	32	3.0	80
72490.W0323	With screw	50	M10	13.5	23.6	41.6	–	10.7	32	4.0	81
72490.W0324	With screw	50	M10	13.5	23.6	41.6	–	10.7	40	2.0	82
72490.W0325	With screw	50	M10	13.5	23.6	41.6	–	10.7	40	3.0	82
72490.W0326	With screw	50	M10	13.5	23.6	41.6	–	10.7	40	4.0	83
72490.W0327	With screw	50	M10	13.5	23.6	41.6	–	10.7	50	2.0	87
72490.W0328	With screw	50	M10	13.5	23.6	41.6	–	10.7	50	3.0	87
72490.W0329	With screw	50	M10	13.5	23.6	41.6	–	10.7	50	4.0	88
72490.W0400	With screw	63	M 8	16.0	28.1	46.6	–	12.9	25	3.2	116
72490.W0401	With screw	63	M 8	16.0	28.1	46.6	–	12.9	25	4.0	117
72490.W0402	With screw	63	M 8	16.0	28.1	46.6	–	12.9	25	4.7	118
72490.W0403	With screw	63	M 8	16.0	28.1	46.6	–	12.9	32	3.2	119
72490.W0404	With screw	63	M 8	16.0	28.1	46.6	–	12.9	32	4.0	120
72490.W0405	With screw	63	M 8	16.0	28.1	46.6	–	12.9	32	4.7	121
72490.W0406	With screw	63	M 8	16.0	28.1	46.6	–	12.9	40	3.2	82
72490.W0407	With screw	63	M 8	16.0	28.1	46.6	–	12.9	40	4.0	83
72490.W0408	With screw	63	M 8	16.0	28.1	46.6	–	12.9	40	4.7	83
72490.W0409	With screw	63	M 8	16.0	28.1	46.6	–	12.9	50	3.2	128
72490.W0410	With screw	63	M 8	16.0	28.1	46.6	–	12.9	50	4.0	127
72490.W0411	With screw	63	M 8	16.0	28.1	46.6	–	12.9	50	4.7	128
72490.W0412	With screw	63	M 8	16.0	28.1	46.6	–	12.9	63	3.2	130
72490.W0413	With screw	63	M 8	16.0	28.1	46.6	–	12.9	63	4.0	131
72490.W0414	With screw	63	M 8	16.0	28.1	46.6	–	12.9	63	4.7	132
72490.W0415	With screw	63	M10	16.0	28.1	46.6	–	12.9	25	3.2	122
72490.W0416	With screw	63	M10	16.0	28.1	46.6	–	12.9	25	4.0	123
72490.W0417	With screw	63	M10	16.0	28.1	46.6	–	12.9	25	4.7	124
72490.W0418	With screw	63	M10	16.0	28.1	46.6	–	12.9	32	3.2	125
72490.W0419	With screw	63	M10	16.0	28.1	46.6	–	12.9	32	4.0	126
72490.W0420	With screw	63	M10	16.0	28.1	46.6	–	12.9	32	4.7	127
72490.W0421	With screw	63	M10	16.0	28.1	46.6	–	12.9	40	3.2	129
72490.W0422	With screw	63	M10	16.0	28.1	46.6	–	12.9	40	4.0	130
72490.W0423	With screw	63	M10	16.0	28.1	46.6	–	12.9	40	4.7	131
72490.W0424	With screw	63	M10	16.0	28.1	46.6	–	12.9	50	3.2	134
72490.W0425	With screw	63	M10	16.0	28.1	46.6	–	12.9	50	4.0	135
72490.W0426	With screw	63	M10	16.0	28.1	46.6	–	12.9	50	4.7	136
72490.W0427	With screw	63	M10	16.0	28.1	46.6	–	12.9	63	3.2	140
72490.W0428	With screw	63	M10	16.0	28.1	46.6	–	12.9	63	4.0	141
72490.W0429	With screw	63	M10	16.0	28.1	46.6	–	12.9	63	4.7	142
72490.W0500	With screw	80	M10	19.0	34.1	56.2	–	16.8	25	4.0	194
72490.W0501	With screw	80	M10	19.0	34.1	56.2	–	16.8	25	5.5	195
72490.W0502	With screw	80	M10	19.0	34.1	56.2	–	16.8	25	7.5	196
72490.W0503	With screw	80	M10	19.0	34.1	56.2	–	16.8	32	4.0	198
72490.W0504	With screw	80	M10	19.0	34.1	56.2	–	16.8	32	5.5	199
72490.W0505	With screw	80	M10	19.0	34.1	56.2	–	16.8	32	7.5	200
72490.W0506	With screw	80	M10	19.0	34.1	56.2	–	16.8	40	4.0	202
72490.W0507	With screw	80	M10	19.0	34.1	56.2	–	16.8	40	5.5	203
72490.W0508	With screw	80	M10	19.0	34.1	56.2	–	16.8	40	7.5	204
72490.W0509	With screw	80	M10	19.0	34.1	56.2	–	16.8	50	4.0	208
72490.W0510	With screw	80	M10	19.0	34.1	56.2	–	16.8	50	5.5	209
72490.W0511	With screw	80	M10	19.0	34.1	56.2	–	16.8	50	7.5	210
72490.W0512	With screw	80	M10	19.0	34.1	56.2	–	16.8	63	4.0	213
72490.W0513	With screw	80	M10	19.0	34.1	56.2	–	16.8	63	5.5	214
72490.W0514	With screw	80	M10	19.0	34.1	56.2	–	16.8	63	7.5	215
72490.W0515	With screw	80	M12	19.0	34.1	56.2	–	16.8	25	4.0	201
72490.W0516	With screw	80	M12	19.0	34.1	56.2	–	16.8	25	5.5	202
72490.W0517	With screw	80	M12	19.0	34.1	56.2	–	16.8	25	7.5	203





# Three-lobed Torque Handles



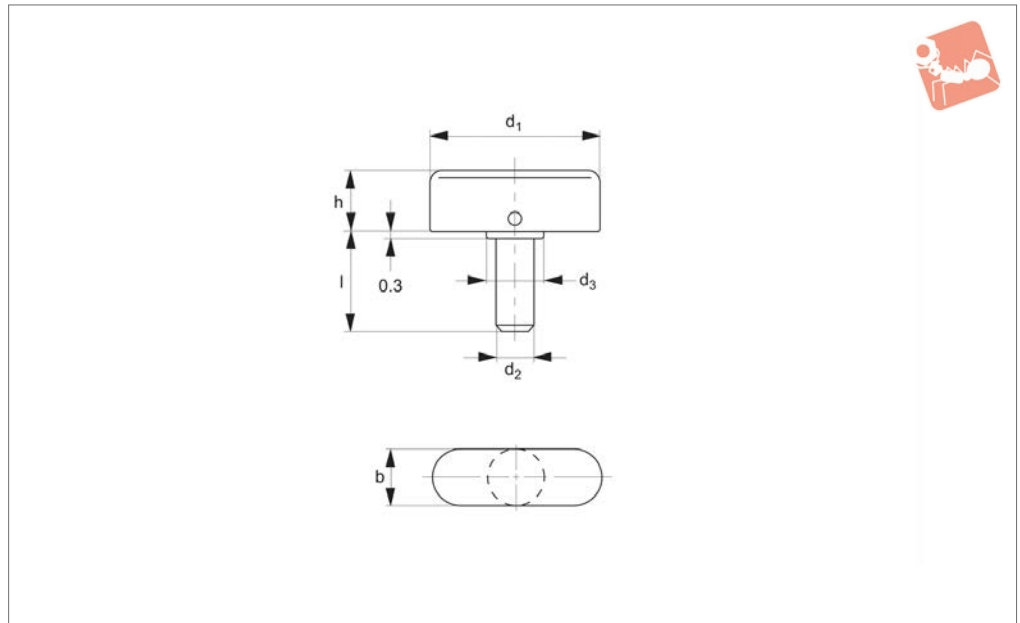
## Grips

Order No.	Type	d <sub>1</sub>	d <sub>2</sub>	d <sub>4</sub>	d <sub>5</sub>	h <sub>1</sub>	h <sub>2</sub>	h <sub>3</sub>	l <sub>1</sub>	Tightening torque Nm ±10% max.	Weight g
<b>72490.W0518</b>	With screw	80	M12	19.0	34.1	56.2	–	16.8	32	4.0	205
<b>72490.W0519</b>	With screw	80	M12	19.0	34.1	56.2	–	16.8	32	5.5	206
<b>72490.W0520</b>	With screw	80	M12	19.0	34.1	56.2	–	16.8	32	7.5	207
<b>72490.W0521</b>	With screw	80	M12	19.0	34.1	56.2	–	16.8	40	4.0	210
<b>72490.W0522</b>	With screw	80	M12	19.0	34.1	56.2	–	16.8	40	5.5	211
<b>72490.W0523</b>	With screw	80	M12	19.0	34.1	56.2	–	16.8	40	7.5	212
<b>72490.W0524</b>	With screw	80	M12	19.0	34.1	56.2	–	16.8	50	4.0	218
<b>72490.W0525</b>	With screw	80	M12	19.0	34.1	56.2	–	16.8	50	5.5	219
<b>72490.W0526</b>	With screw	80	M12	19.0	34.1	56.2	–	16.8	50	7.5	220
<b>72490.W0527</b>	With screw	80	M12	19.0	34.1	56.2	–	16.8	63	4.0	227
<b>72490.W0528</b>	With screw	80	M12	19.0	34.1	56.2	–	16.8	63	5.5	228
<b>72490.W0529</b>	With screw	80	M12	19.0	34.1	56.2	–	16.8	63	7.5	229

GRIPS



## 37380



### Material

Stainless steel 1.4404 (AISI 316), body sintered, matte, shot-blasted. Screw: stainless steel, 1.4301 (AISI 304), matte,

shot-blasted.

### Technical Notes

These quarter turn screws are used to

develop higher clamping torques than is possible with knurled handles.

Order No.	d <sub>1</sub>	d <sub>2</sub>	d <sub>3</sub>	b	h	l	Weight g
37380.W0061	25	M 6	8	8	10.0	16	12
37380.W0062	25	M 6	8	8	10.0	20	16
37380.W0063	25	M 6	8	8	10.0	25	10
37380.W0081	30	M 8	10	10	12.0	16	26
37380.W0082	30	M 8	10	10	12.0	20	28
37380.W0083	30	M 8	10	10	12.0	25	30
37380.W0084	30	M 8	10	10	12.0	32	32
37380.W0085	36	M 8	12	12	14.5	16	44
37380.W0086	36	M 8	12	12	14.5	20	45
37380.W0087	36	M 8	12	12	14.5	25	50
37380.W0088	36	M 8	12	12	14.5	32	49
37380.W0101	36	M10	12	12	14.5	20	48
37380.W0102	36	M10	12	12	14.5	30	53
37380.W0103	36	M10	12	12	14.5	40	55

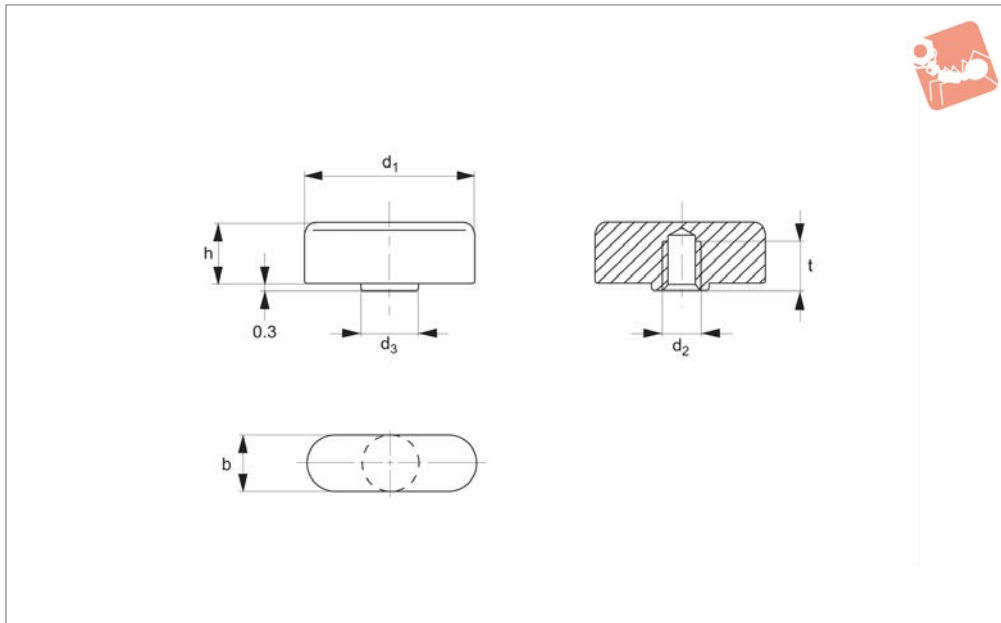


# Quarter Turn Screw, Female

stainless steel



## Grips



### 37400

GRIPS

#### Material

Stainless steel 1.4404 (AISI 316), sintered, matte, shot-blasted.

#### Technical Notes

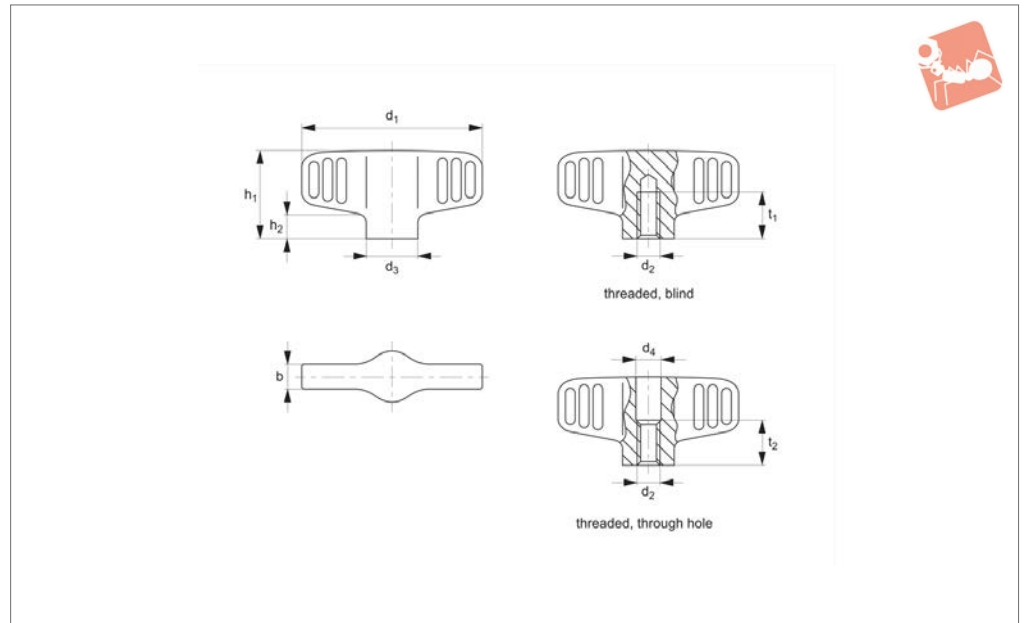
These quarter turn screws are used to develop higher clamping torques than is possible with knurled handles.

possible with knurled handles.

Order No.	d <sub>1</sub>	d <sub>2</sub>	d <sub>3</sub>	b	h	t min.	Weight g
37400.W0061	25	M 6	8	8	10.0	7	11
37400.W0062	30	M 6	10	10	12.0	9	18
37400.W0081	30	M 8	10	10	12.0	9	18
37400.W0082	36	M 8	12	12	14.5	10	36
37400.W0101	36	M10	12	12	14.5	10	36



37420



**Material**

Stainless steel 1.4308, matt finish.

Order No.	Type	d <sub>1</sub>	d <sub>2</sub>	d <sub>3</sub>	d <sub>4</sub> tol. H13	b	h <sub>1</sub>	h <sub>2</sub> ≈	t <sub>1</sub> min.	t <sub>2</sub>
37420.W0010	Threaded, blind	46	M 6	13	6.5	6	22.5	6.0	12	10
37420.W0012	Threaded, blind	46	M 8	13	8.5	6	22.5	6.0	15	13
37420.W0014	Threaded, blind	58	M 8	16	8.5	7	26.5	7.0	15	13
37420.W0016	Threaded, blind	58	M10	16	10.5	7	26.5	7.0	18	16
37420.W0210	Threaded, through hole	46	M 6	13	6.5	6	22.5	6.0	12	10
37420.W0212	Threaded, through hole	46	M 8	13	8.5	6	22.5	6.0	15	13
37420.W0214	Threaded, through hole	58	M 8	16	8.5	7	26.5	7.0	15	13
37420.W0216	Threaded, through hole	58	M10	16	10.5	7	26.5	7.0	18	16



# Wide Selection of Thumb Screws, Knurled Screws & Wing Nuts

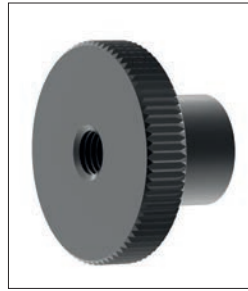
## Positioning Elements



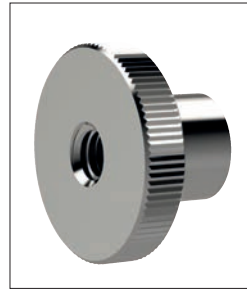
**37020** - Steel flat knurled screw



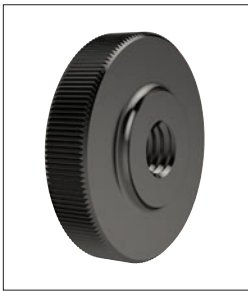
**37040** - Stainless steel flat knurled screw



**37100** - Steel knurled nut with collar



**37110** - Stainless steel knurled nut with collar



**37120** - Steel flat knurled nut



**37130** - Stainless steel flat knurled nut



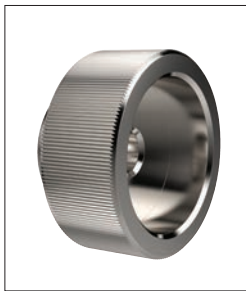
**37140** - Steel knurled screw with collar



**37150** - Stainless steel knurled screw with collar



**37160** - Steel knurled nut



**37170** - Stainless steel knurled nut



**37200** - Stainless steel knurled thumb screw



**37330** - Plastic knurled nut



**37352** - Plastic knurled steel screw



**37354** - Plastic knurled stainless steel screw



**37380** - 1/4 turn screw



**37400** - 1/4 turn nut



**37460** - Thumb knob

GRIPS

ov-W37020-AP0405.BLT-W37460-A-T-selection-a-mh - Updated - 28-10-2022



72180 - Plastic wing nut



72190 - Plastic wing nut  
with screw



72210 - Plastic wing nuts



72270 - 1/4 turn nut



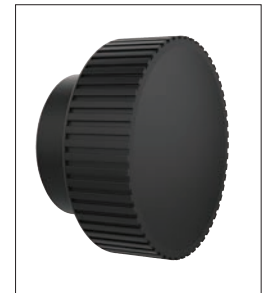
72280 - 1/4 turn nut



72290 - 1/4 turn screw



72300 - 1/4 turn screw



72410 - Knurled knob



72430 - Knurled knob  
with screw



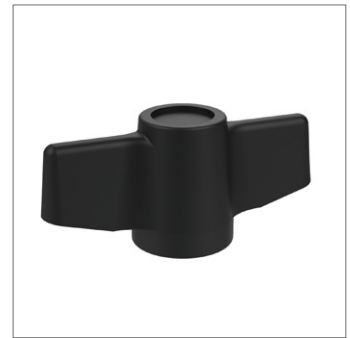
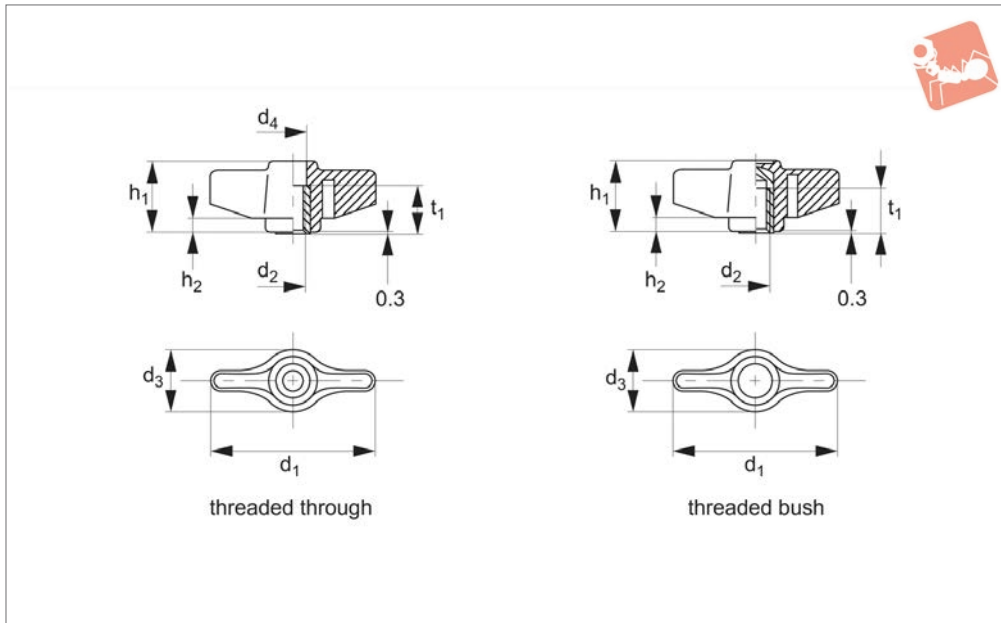
72440 - Knurled knobs



72460 - Knurled knobs



73200 - Mushroom knobs



72180

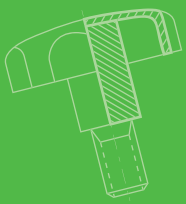
GRIPS

**Material**

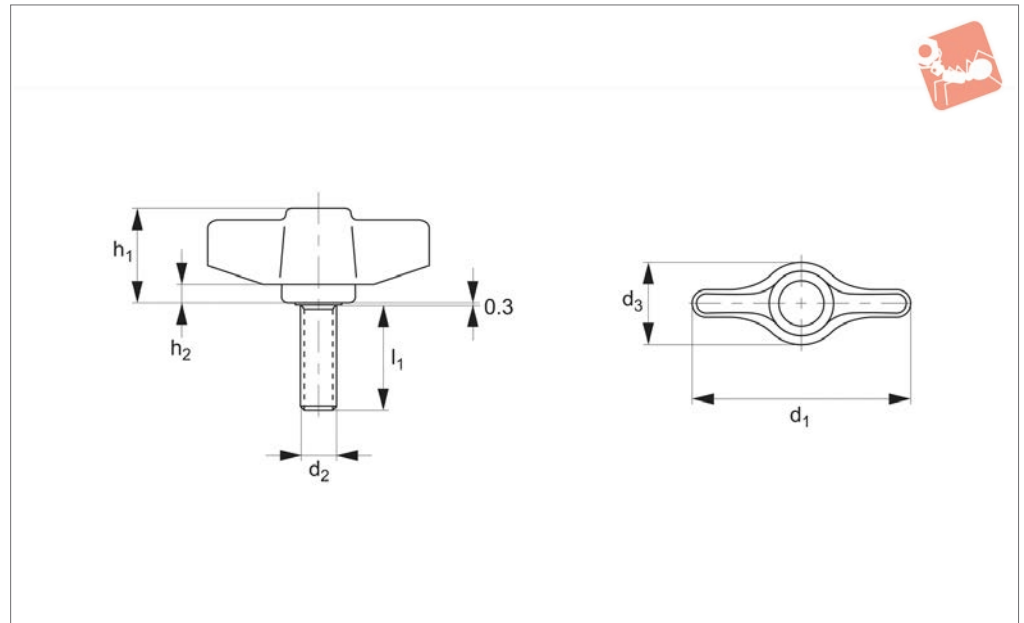
Brass bush. Thermoplastic, black, matte.

Order No.	Type	d <sub>1</sub>	d <sub>2</sub>	d <sub>3</sub>	d <sub>4</sub>	h <sub>1</sub>	h <sub>2</sub>	t <sub>1</sub>	Weight g
72180.W0034	Threaded Through	34	M 5	14	7	18	4	15	7
72180.W0035	Threaded Through	34	M 6	14	7	18	4	15	7
72180.W0040	Threaded Through	40	M 6	15	9	19	4	15	10
72180.W0041	Threaded Through	40	M 8	15	9	19	4	15	10
72180.W0048	Threaded Through	48	M 6	17	9	20	4	15	10
72180.W0049	Threaded Through	48	M 8	17	9	20	4	15	11
72180.W0135	Threaded Bush	34	M 5	14	-	18	4	8	5
72180.W0136	Threaded Bush	34	M 6	14	-	18	4	9	5
72180.W0138	Threaded Bush	34	M 8	14	-	18	4	9	6
72180.W0146	Threaded Bush	40	M 6	15	-	19	4	9	7
72180.W0148	Threaded Bush	40	M 8	15	-	19	4	9	7
72180.W0149	Threaded Bush	48	M 6	17	-	20	4	13	7
72180.W0150	Threaded Bush	48	M 8	17	-	20	4	13	9





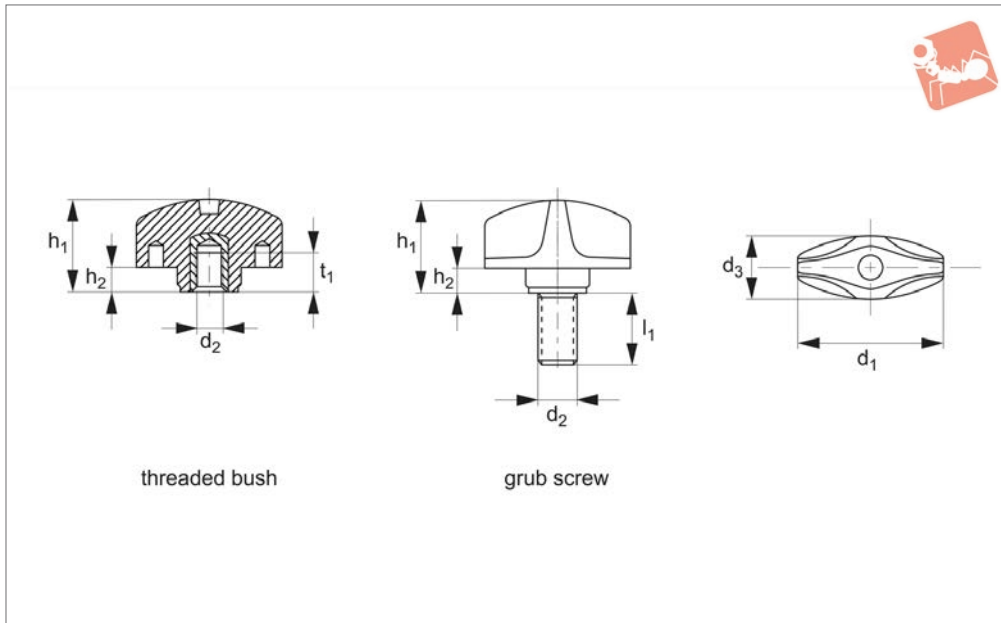
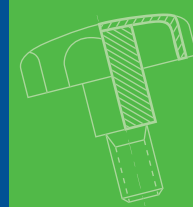
## 72190



### Material

Zinc plated steel stud. Thermoplastic, black, matt.

Order No.	d <sub>1</sub>	d <sub>2</sub>	d <sub>3</sub>	h <sub>1</sub>	h <sub>2</sub>	l <sub>1</sub>	Weight g
72190.W0341	34	M 4	14	18	4	15	5
72190.W0342	34	M 5	14	18	4	15	7
72190.W0343	34	M 6	14	18	4	15	9
72190.W0344	34	M 6	14	18	4	25	11
72190.W0345	34	M 8	14	18	4	15	13
72190.W0346	34	M 8	14	18	4	25	15
72190.W0401	40	M 6	15	19	4	15	10
72190.W0402	40	M 6	15	19	4	20	11
72190.W0403	40	M 8	15	19	4	15	14
72190.W0404	40	M 8	15	19	4	20	15
72190.W0405	40	M 8	15	19	4	25	16
72190.W0481	48	M 6	17	20	4	15	12
72190.W0482	48	M 6	17	20	4	20	12
72190.W0483	48	M 6	17	20	4	25	13
72190.W0484	48	M 8	17	20	4	15	15
72190.W0485	48	M 8	17	20	4	25	18
72190.W0486	48	M 8	17	20	4	30	19
72190.W0487	48	M 8	17	20	4	40	22



72210

GRIPS

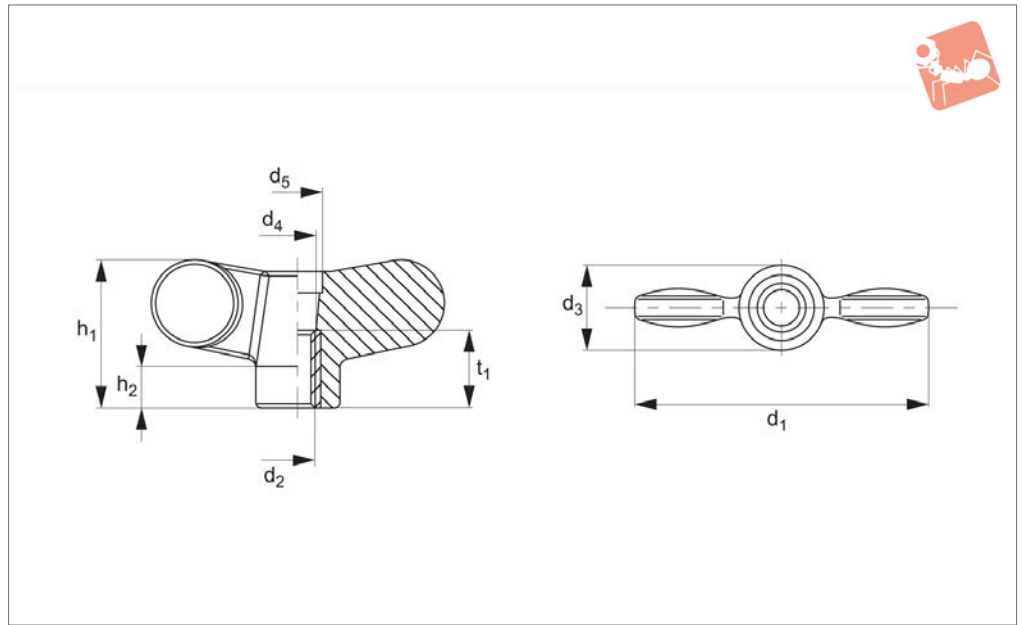
**Material**

Brass bush. Zinc plated steel stud. Thermo-plastic, black, matt.

Order No.	Type	d <sub>1</sub>	d <sub>2</sub>	d <sub>3</sub>	h <sub>1</sub>	h <sub>2</sub>	l <sub>1</sub>	t <sub>1</sub>	Weight g
72210.W0004	Threaded Bush	30	M 4	13	19	5	-	8	5.8
72210.W0005	Threaded Bush	30	M 5	13	19	5	-	8	5.4
72210.W0006	Threaded Bush	30	M 6	13	19	5	-	8	5.6
72210.W0008	Threaded Bush	30	M 8	13	19	5	-	8	6.0
72210.W0341	Grub Screw	30	M 4	13	19	5	15	-	5.4
72210.W0342	Grub Screw	30	M 4	13	19	5	20	-	5.4
72210.W0351	Grub Screw	30	M 5	13	19	5	15	-	6.4
72210.W0352	Grub Screw	30	M 5	13	19	5	25	-	7.6
72210.W0353	Grub Screw	30	M 5	13	19	5	30	-	9.4
72210.W0361	Grub Screw	30	M 6	13	19	5	15	-	8.0
72210.W0362	Grub Screw	30	M 6	13	19	5	25	-	9.8
72210.W0363	Grub Screw	30	M 6	13	19	5	30	-	10.0
72210.W0364	Grub Screw	30	M 6	13	19	5	40	-	12.2
72210.W0381	Grub Screw	30	M 8	13	19	5	15	-	11.4
72210.W0383	Grub Screw	30	M 8	13	19	5	30	-	16.6
72210.W0384	Grub Screw	30	M 8	13	19	5	40	-	19.8



**72270**



**Material**

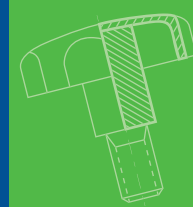
Thermoplastic, black.  
Brass bush.

Order No.	d <sub>1</sub>	d <sub>2</sub>	d <sub>3</sub>	d <sub>4</sub>	d <sub>5</sub>	h <sub>1</sub>	h <sub>2</sub>	t <sub>1</sub>	Weight g
72270.W0052	55	M 6	16	8	11	28	8	18	14
72270.W0054	55	M 8	16	10	11	28	8	18	15
72270.W0074	70	M 8	20	10	11	36	10	18	23
72270.W0076	70	M10	20	11	11	36	10	18	24

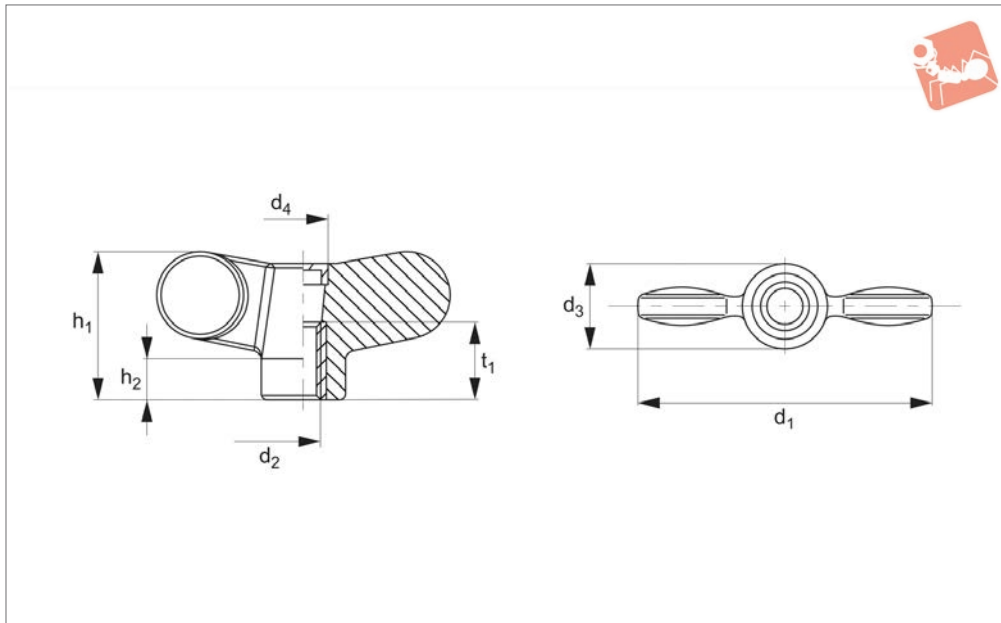


# Wing Nut

plastic, with colour insert



## Grips



**72280**

GRIPS

### Material

Thermoplastic, black.  
Plastic insert: black RAL9005, red

RAL3000, blue RAL5019.

subject to minimum quantity.

### Tips

Other colour inserts available on request,

Order No.	Insert colour	d <sub>1</sub>	d <sub>2</sub>	d <sub>3</sub>	d <sub>4</sub>	h <sub>1</sub>	h <sub>2</sub>	t <sub>1</sub>	Weight g
<a href="#">72280.W0052</a>	Black	55	M 6	16	11	28	8	18	14.5
<a href="#">72280.W0054</a>	Black	55	M 8	16	11	28	8	18	15.5
<a href="#">72280.W0074</a>	Black	70	M 8	20	11	36	10	18	23.5
<a href="#">72280.W0076</a>	Black	70	M10	20	11	36	10	18	24.5
<a href="#">72280.W0152</a>	Red	55	M 6	16	11	28	8	18	14.5
<a href="#">72280.W0154</a>	Red	55	M 8	16	11	28	8	18	15.5
<a href="#">72280.W0174</a>	Red	70	M 8	20	11	36	10	18	23.5
<a href="#">72280.W0176</a>	Red	70	M10	20	11	36	10	18	24.5
<a href="#">72280.W0252</a>	Blue	55	M 6	16	11	28	8	18	14.5
<a href="#">72280.W0254</a>	Blue	55	M 8	16	11	28	8	18	15.5
<a href="#">72280.W0274</a>	Blue	70	M 8	20	11	36	10	18	23.5
<a href="#">72280.W0276</a>	Blue	70	M10	20	11	36	10	18	24.5

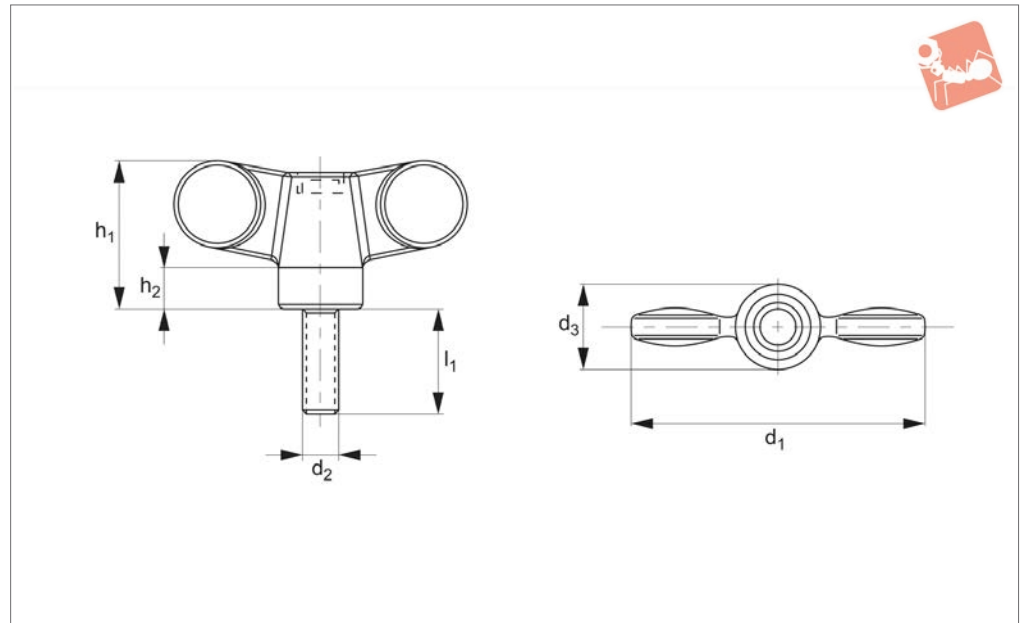


## Wing Nut

plastic, with grub screw and colour insert



72290



## Material

Thermoplastic black.

Plastic insert: black RAL9005, red

RAL3000, blue RAL 5019.

subject to minimum quantity.

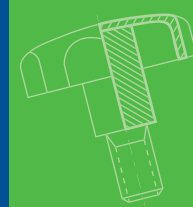
## Tips

Other colour inserts available on request,

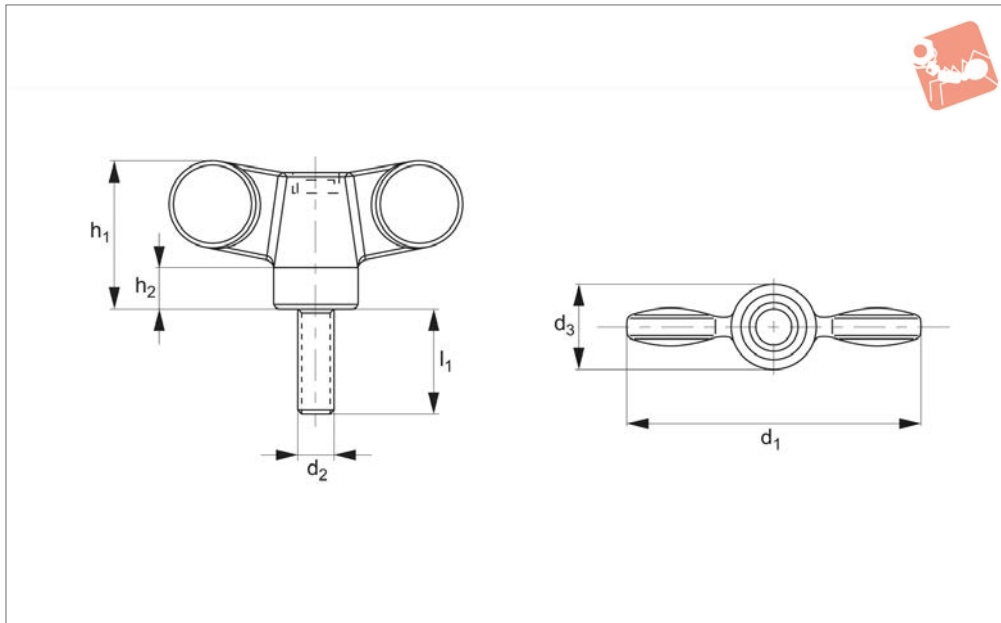
Order No.	Insert colour	d <sub>1</sub>	d <sub>2</sub>	d <sub>3</sub>	h <sub>1</sub>	h <sub>2</sub>	l <sub>1</sub>	Weight g
72290.W0054	Black	55	M 8	16	28	8	20	24
72290.W0055	Black	55	M 8	16	28	8	40	26
72290.W0056	Black	55	M10	16	28	8	20	30
72290.W0057	Black	55	M10	16	28	8	40	40
72290.W0074	Black	70	M 8	20	36	10	20	30
72290.W0076	Black	70	M10	20	36	10	20	39
72290.W0077	Black	70	M10	20	36	10	40	47
72290.W0154	Red	55	M 8	16	28	8	20	24
72290.W0155	Red	55	M 8	16	28	8	40	26
72290.W0156	Red	55	M10	16	28	8	20	30
72290.W0157	Red	55	M10	16	28	8	40	40
72290.W0174	Red	70	M 8	20	36	10	20	30
72290.W0176	Red	70	M10	20	36	10	20	39
72290.W0177	Red	70	M10	20	36	10	40	47
72290.W0254	Blue	55	M 8	16	28	8	20	24
72290.W0255	Blue	55	M 8	16	28	8	40	26
72290.W0256	Blue	55	M10	16	28	8	20	30
72290.W0257	Blue	55	M10	16	28	8	40	40
72290.W0274	Blue	70	M 8	20	36	10	20	30
72290.W0276	Blue	70	M10	20	36	10	20	39
72290.W0277	Blue	70	M10	20	36	10	40	47



# Wing Nut - Stainless Steel plastic, with grub screw and colour insert



Grips



72300

GRIPS

**Material**

Thermoplastic black, with stainless steel thread.

Plastic insert: black RAL9005, red

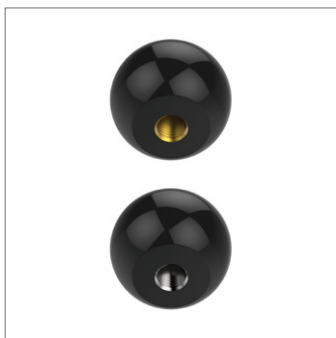
RAL3000, blue RAL5019.

subject to minimum quantity.

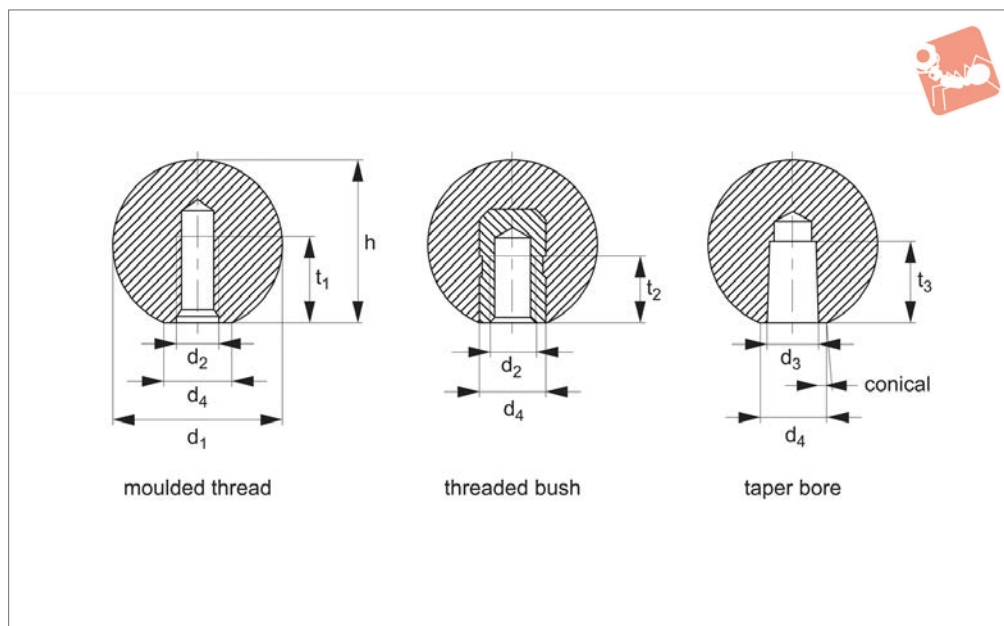
**Tips**

Other colour inserts available on request,

Order No.	Insert colour	d <sub>1</sub>	d <sub>2</sub>	d <sub>3</sub>	h <sub>1</sub>	h <sub>2</sub>	l <sub>1</sub>	Weight g
72300.W0054	Black	55	M 8	16	28	8	20	24
72300.W0055	Black	55	M 8	16	28	8	30	25
72300.W0077	Black	70	M10	20	36	10	30	43
72300.W0154	Red	55	M 8	16	28	8	20	24
72300.W0155	Red	55	M 8	16	28	8	30	25
72300.W0177	Red	70	M10	20	36	10	30	43
72300.W0254	Blue	55	M 8	16	28	8	20	24
72300.W0255	Blue	55	M 8	16	28	8	30	25
72300.W0277	Blue	70	M10	20	36	10	30	43



**73000**



**Material**

Duroplast PF 31 DIN 7708, black.  
Bush: steel, zinc-plated. 73000.W0116 has bush of brass.  
Finish: polished, jointless.

Threaded bush type also available in red, subject to minimum quantity.

**Technical Notes**

Temperature range max. 110°C. Assembly

of taper bush model is through lightly tapping with a hammer, the knob will hold in position without need for cementing. Counter bore requires an h9 fit.

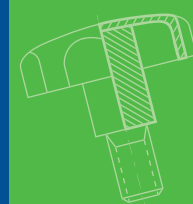
Order No.	Finish	d <sub>1</sub>	d <sub>2</sub>	d <sub>3</sub>	d <sub>4</sub> ≈	h ≈	t <sub>1</sub> min.	t <sub>2</sub> min.	t <sub>3</sub> min.	Weight g
73000.W0016	Moulded Thread	16	M 4	-	8	15.0	7.0	-	-	3.2
73000.W0020	Moulded Thread	20	M 5	-	12	18.0	9.0	-	-	5.2
73000.W0025	Moulded Thread	25	M 6	-	15	22.5	11.0	-	-	10.0
73000.W0032	Moulded Thread	32	M 8	-	18	29.0	14.0	-	-	22.0
73000.W0040	Moulded Thread	40	M10	-	22	37.0	18.0	-	-	43.0
73000.W0050	Moulded Thread	50	M12	-	28	46.0	21.0	-	-	86.0
73000.W0116	Threaded Bush	16	M 4	-	8	15.0	-	6.0	-	5.1
73000.W0120	Threaded Bush	20	M 5	-	12	18.0	-	7.5	-	6.6
73000.W0125	Threaded Bush	25	M 6	-	15	22.5	-	9.0	-	13.0
73000.W0132	Threaded Bush	32	M 8	-	18	29.0	-	12.0	-	26.0
73000.W0140	Threaded Bush	40	M10	-	22	37.0	-	15.0	-	56.0
73000.W0150	Threaded Bush	50	M12	-	28	46.0	-	18.0	-	108.0
73000.W0216	Taper Bore	16	-	4	8	15.0	-	-	9.0	2.7
73000.W0220	Taper Bore	20	-	5	12	18.0	-	-	12.0	5.1
73000.W0225	Taper Bore	25	-	6	15	22.5	-	-	15.0	9.3
73000.W0232	Taper Bore	32	-	8	18	29.0	-	-	15.0	19.0
73000.W0240	Taper Bore	40	-	10	22	37.0	-	-	20.0	39.0
73000.W0250	Taper Bore	50	-	12	28	46.0	-	-	22.0	84.0



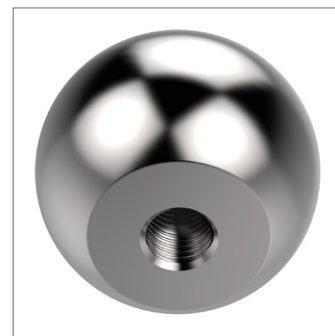
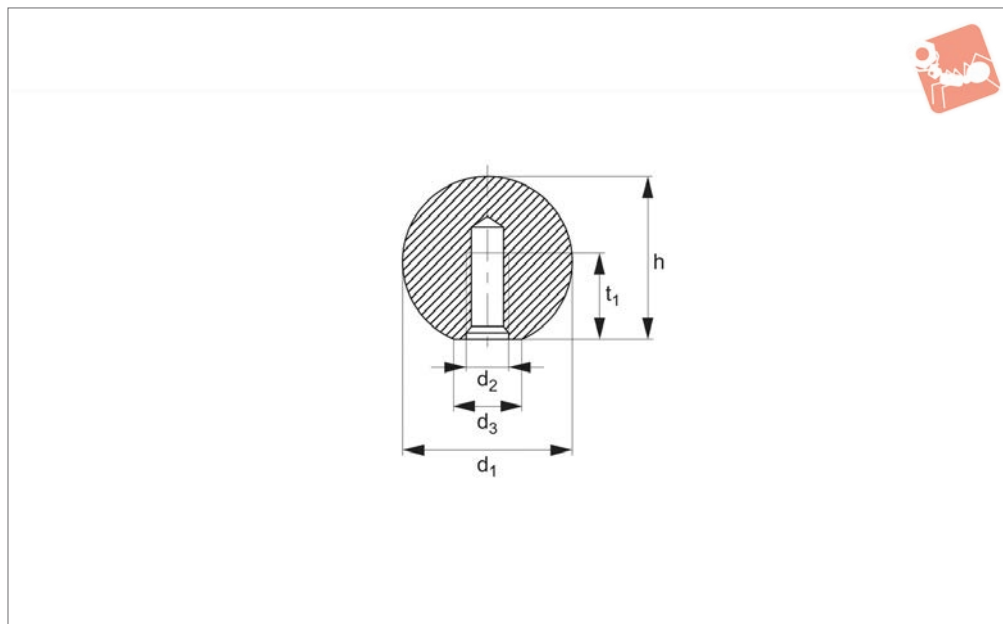


# Ball Knobs - Steel

similar to DIN 319



## Grips



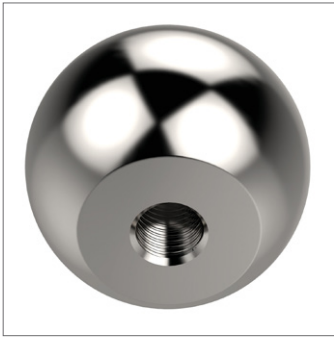
**73002**

GRIPS

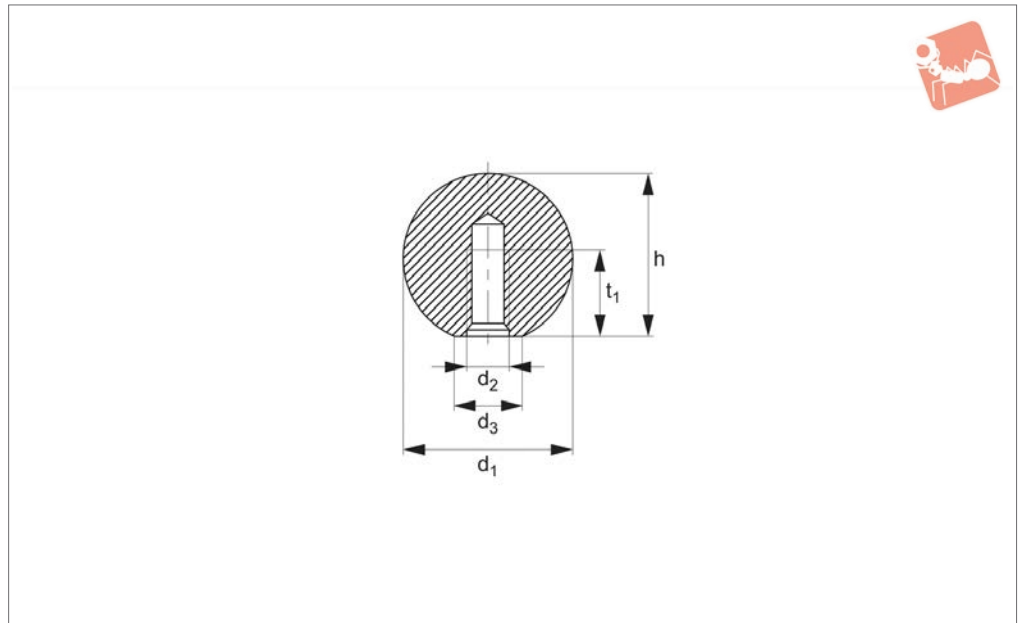
### Material

Steel, polished, bright

Order No.	d <sub>1</sub>	d <sub>2</sub>	d <sub>3</sub> ≈	h ≈	t <sub>1</sub> min.	Weight g
<b>73002.W0016</b>	16	M 4	8	15.0	7.0	16
<b>73002.W0020</b>	20	M 5	12	18.0	9.0	26
<b>73002.W0025</b>	25	M 6	15	22.5	11.0	58
<b>73002.W0032</b>	32	M 8	18	29.0	14.5	116
<b>73002.W0040</b>	40	M10	22	37.0	18.0	241
<b>73002.W0050</b>	50	M12	27	46.0	21.0	475



**73004**



**Material**

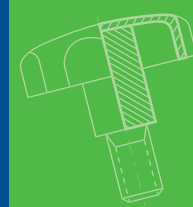
Stainless steel 1.4305, dull blasted

Order No.	d <sub>1</sub>	d <sub>2</sub>	d <sub>3</sub> ≈	h ≈	t <sub>1</sub> min.	Weight g
73004.W0216	16	M 4	8	15.0	7.0	16
73004.W0220	20	M 5	12	18.0	9.0	31
73004.W0225	25	M 6	15	22.5	11.0	59
73004.W0232	32	M 8	18	29.0	14.5	122
73004.W0240	40	M10	22	37.0	18.0	242

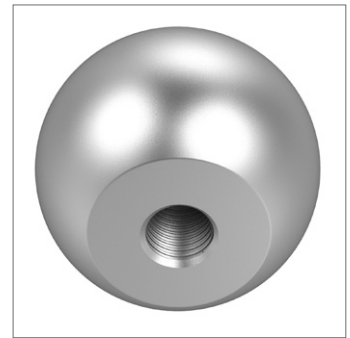
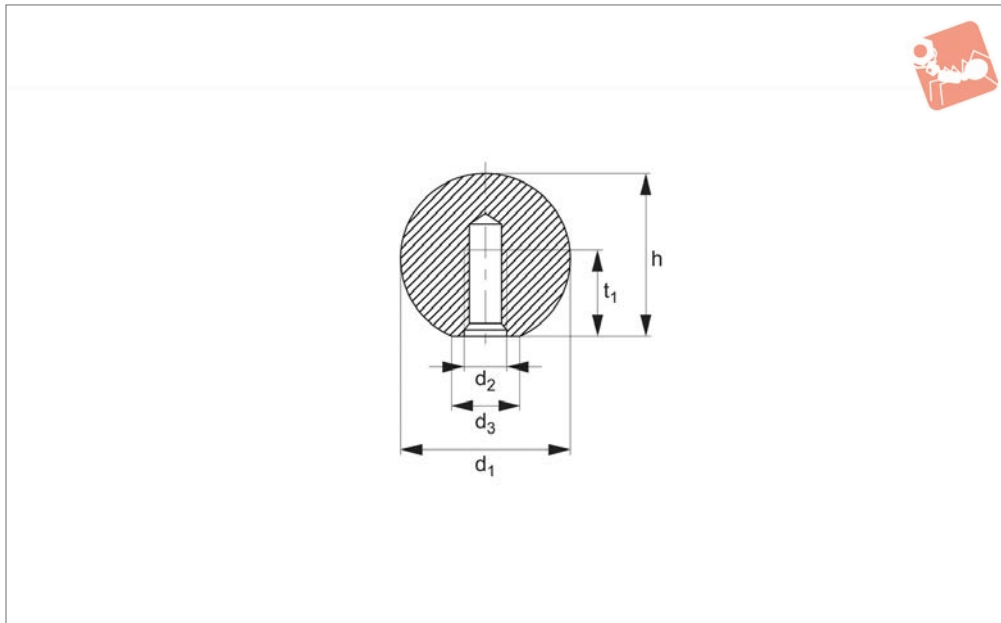


# Ball Knobs - aluminium

similar to DIN 319



## Grips



**73006**

GRIPS

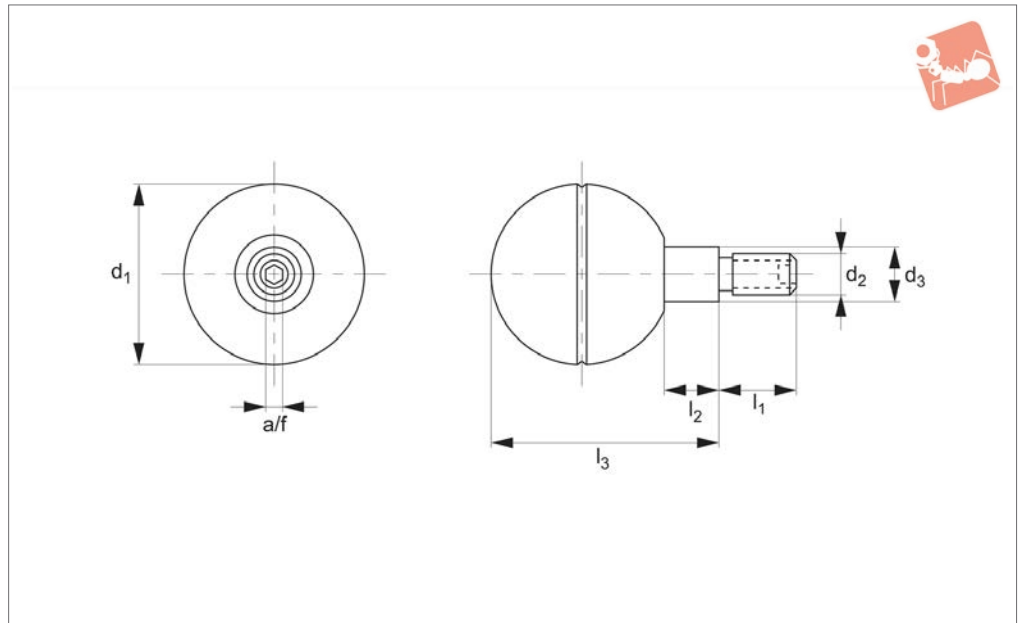
### Material

Aluminium, polished polished, bright

Order No.	d <sub>1</sub>	d <sub>2</sub>	d <sub>3</sub> ≈	h ≈	t <sub>1</sub> min.	Weight g
<b>73006.W0116</b>	16	M 4	8	15.0	7.0	7
<b>73006.W0120</b>	20	M 5	12	18.0	9.0	12
<b>73006.W0125</b>	25	M 6	15	22.5	11.0	22
<b>73006.W0132</b>	32	M 8	18	29.0	14.5	44
<b>73006.W0140</b>	40	M10	22	37.0	18.0	87
<b>73006.W0150</b>	50	M12	27	46.0	21.0	173



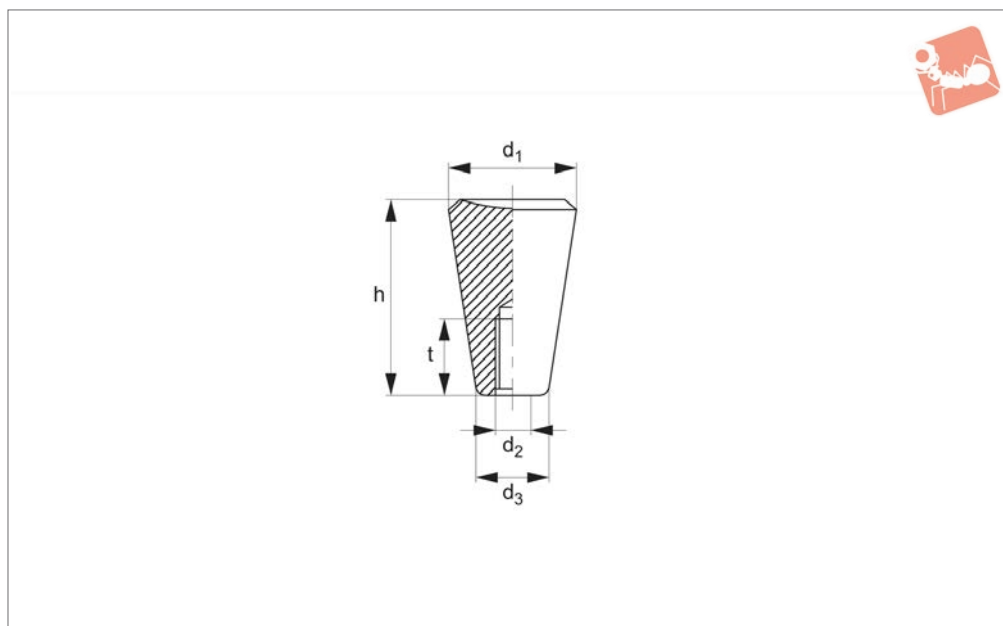
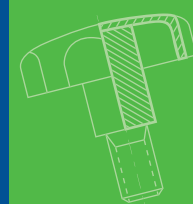
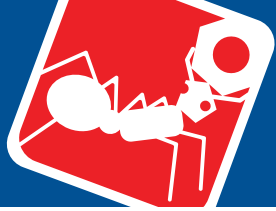
**73020**



**Material**

Duroplast, black. Zinc plated steel stud, hexagonal locking blind hole.

Order No.	$d_1$	$d_2$	$l_1$	$l_2$	$l_3$	$d_3$	A/F	Weight g
73020.W0041	41	M 8	15	12	51	13	4	87
73020.W0042	41	M10	17	12	51	13	5	90
73020.W0047	47	M 8	15	12	58	14	4	118
73020.W0048	47	M10	17	12	58	14	5	121
73020.W0061	60	M 8	15	12	71	14	4	206
73020.W0062	60	M10	17	12	71	14	5	212



## 73100

GRIPS

### Material

Duroplast PF 31, black.

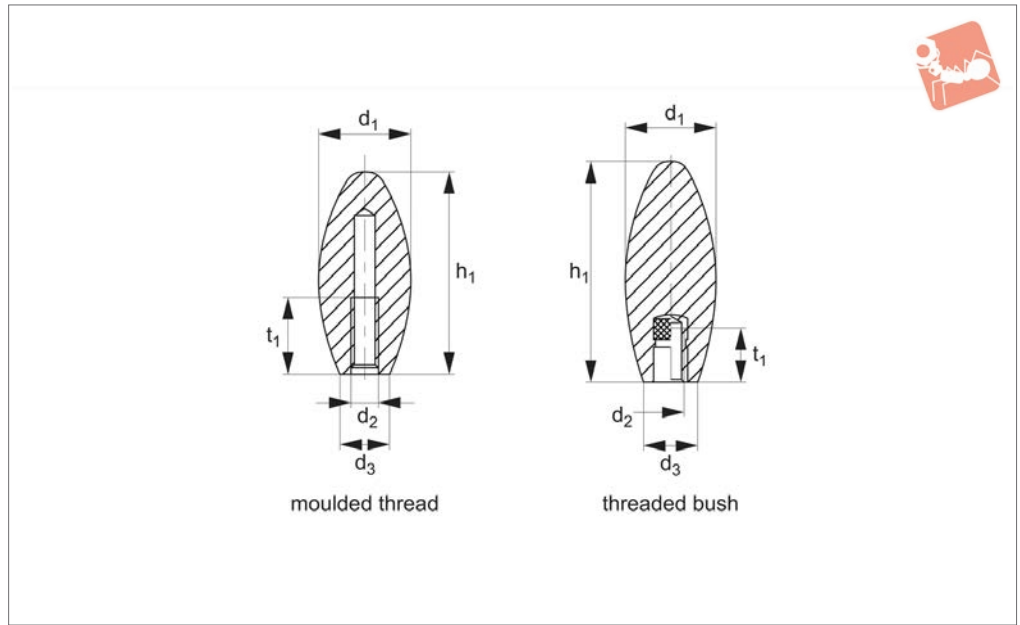
### Technical Notes

Temperature range max. 110°C.

Order No.	d <sub>1</sub>	d <sub>2</sub>	d <sub>3</sub> ≈	h	t min.	Weight g
73100.W0020	20	M 5	12	30	18	7.8
73100.W0021	20	M 6	12	30	18	7.4
73100.W0025	25	M 6	15	38	18	14.0
73100.W0026	25	M 8	15	38	18	13.0
73100.W0031	30	M 8	18	46	18	26.0
73100.W0032	30	M10	18	46	18	25.0
73100.W0036	35	M10	21	53	21	46.0
73100.W0037	35	M12	21	53	21	43.0



**73110**

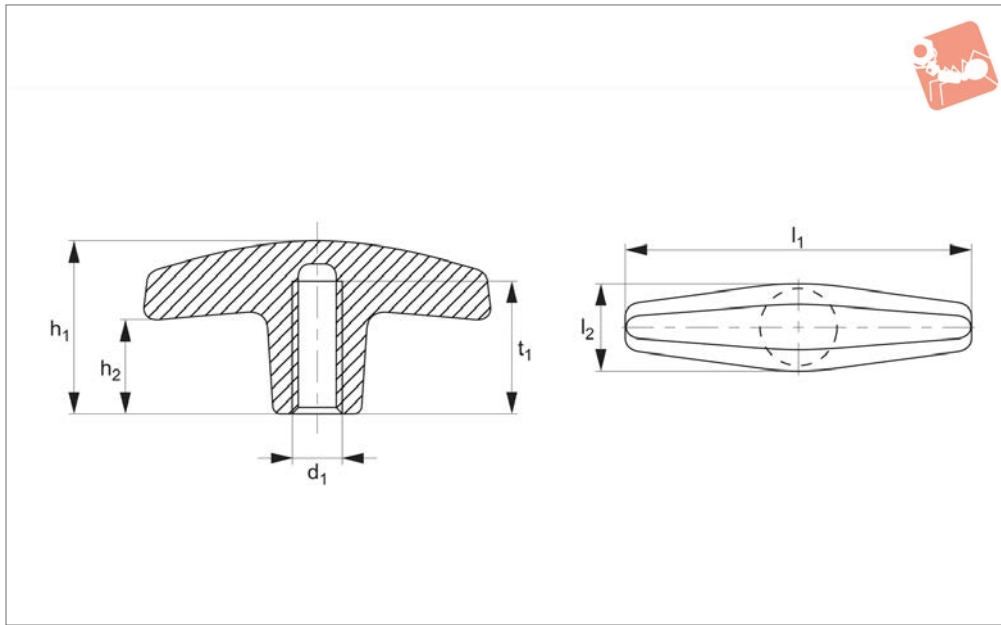
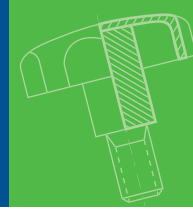


**Material**

Duroplast, black.

Bush: zinc plated steel.

Order No.	Finish	$d_1$	$d_2$	$d_3$	$h_1$	$t_1$	Weight g
73110.W0030	Moulded Thread	30	M 8	16	65	16	41
73110.W0031	Moulded Thread	30	M10	16	65	21	40
73110.W0032	Moulded Thread	30	M12	16	65	25	39
73110.W0035	Moulded Thread	35	M12	22	85	25	71
73110.W0036	Moulded Thread	35	M16	22	85	30	69
73110.W0535	Threaded Bush	35	M10	22	85	21	87



## 73130

GRIPS

### Material

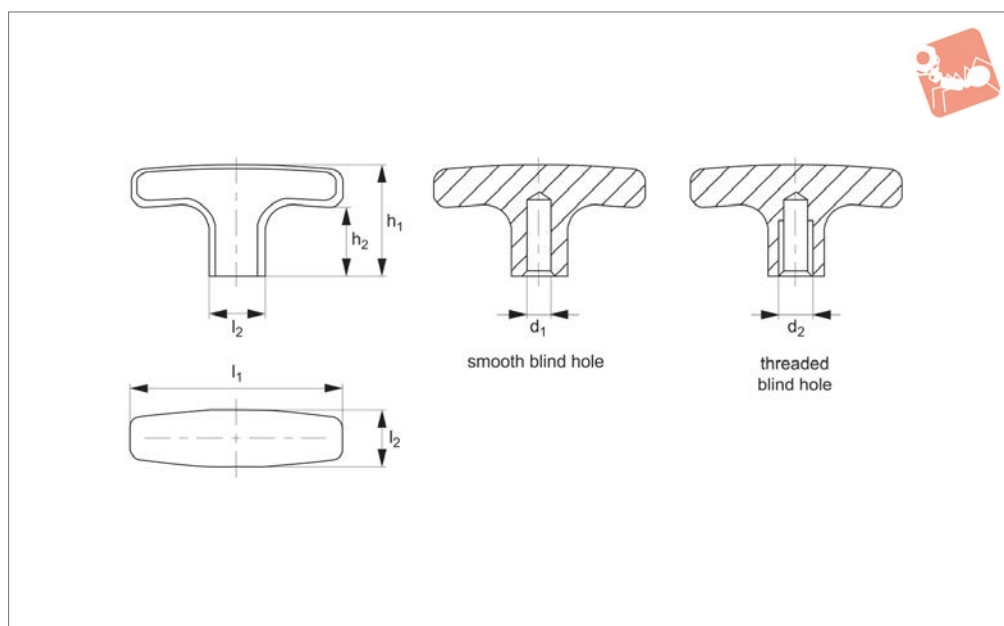
Thermoplast, black, with moulded female thread.

Order No.	$d_1$	$l_1$	$l_2$	$h_1$	$h_2$	$t_1$	Weight g
73130.W0006	M 6	57	15	30	16	13	9
73130.W0008	M 8	57	15	30	16	15	8



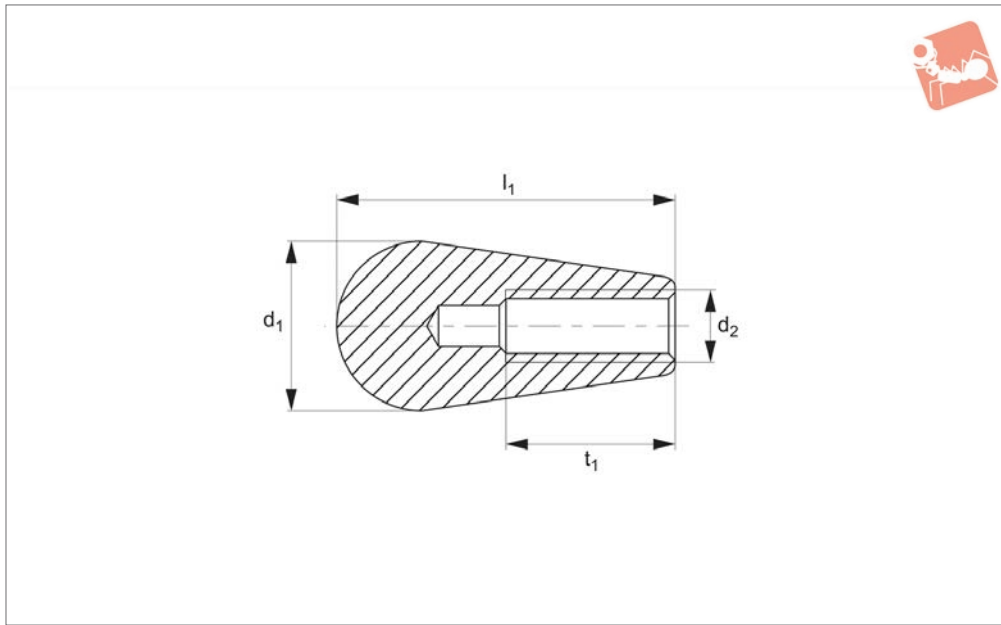
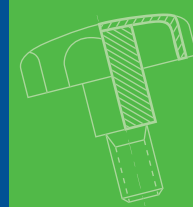
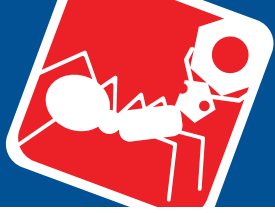


73132

**Material**

Aluminium, plastic coated, similar to RAL  
9005 black, matt structure

Order No.	Finish	$d_1$ tol. H7	$d_2$	$l_1$	$l_2$	$h_1$	$h_2$	t	Weight g
73132.W0020	Smooth, Blind	6	-	55	14	33	22	12	31
73132.W0030	Smooth, Blind	8	-	67	16	37	25	16	46
73132.W0035	Smooth, Blind	8	-	80	20	41	26	16	80
73132.W0120	Threaded, Blind	-	M 6	55	14	33	22	12	33
73132.W0125	Threaded, Blind	-	M 8	55	14	33	22	12	40
73132.W0130	Threaded, Blind	-	M 8	67	16	37	25	16	48
73132.W0135	Threaded, Blind	-	M 8	80	20	41	26	16	80
73132.W0140	Threaded, Blind	-	M10	80	20	41	26	16	80



## 73140

GRIPS

### Material

Thermoplastic, matte black, with moulded female thread.

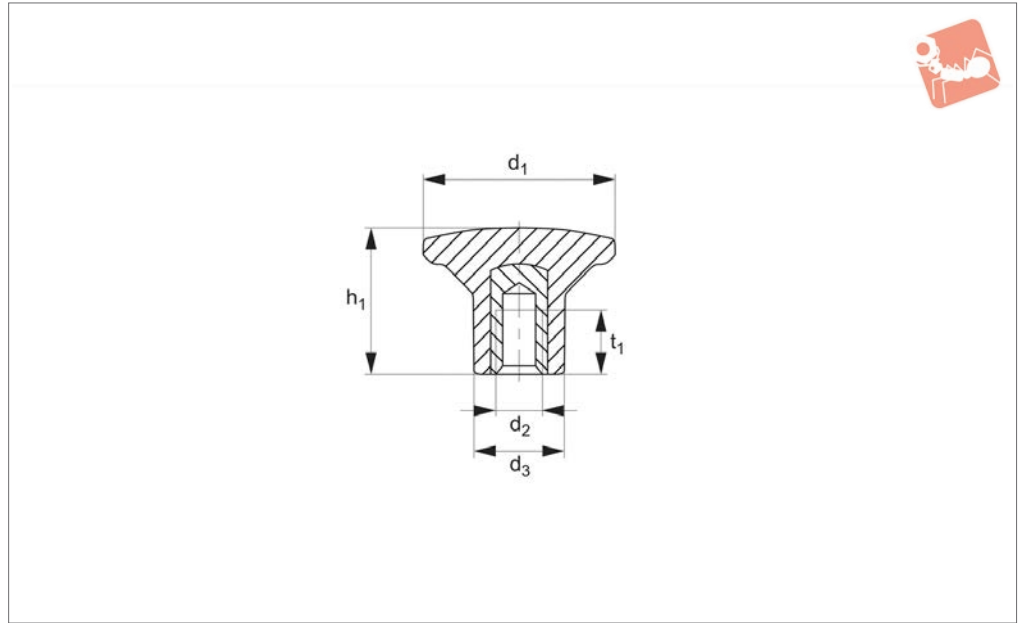
### Technical Notes

\*  $\varnothing 8$  - moulded blind hole - not threaded.

Order No.	$d_1$	$d_2$	$l_1$	$t_1$	Weight g
73140.W0005	13	M 5	43	15	3.2
73140.W0008	25	M 8	50	25	13.0
73140.W0009	25	M 8	50	25	12.0



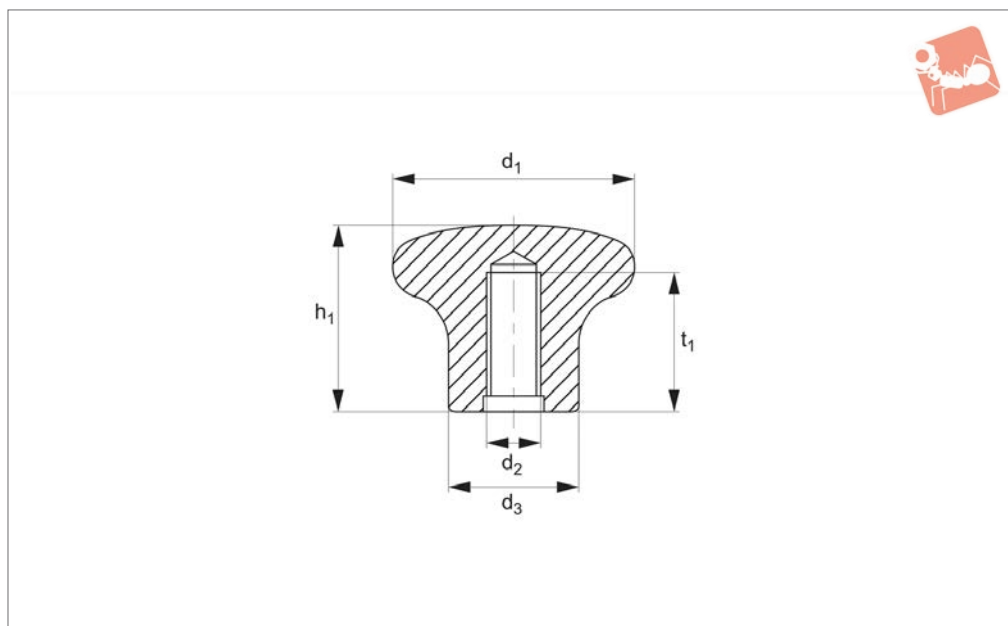
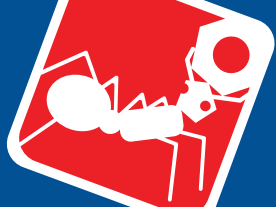
**73160**



**Material**

Thermoplastic, matt black. Brass bush with tapped blind hole.

Order No.	d <sub>1</sub>	d <sub>2</sub>	d <sub>3</sub>	h <sub>1</sub>	t <sub>1</sub>	Weight g
73160.W0021	26	M 4	12	17	8	8
73160.W0022	26	M 5	12	17	8	8
73160.W0023	26	M 6	12	17	8	8
73160.W0031	32	M 6	15	24	13	13
73160.W0032	32	M 8	15	24	13	13



## 73170

GRIPS

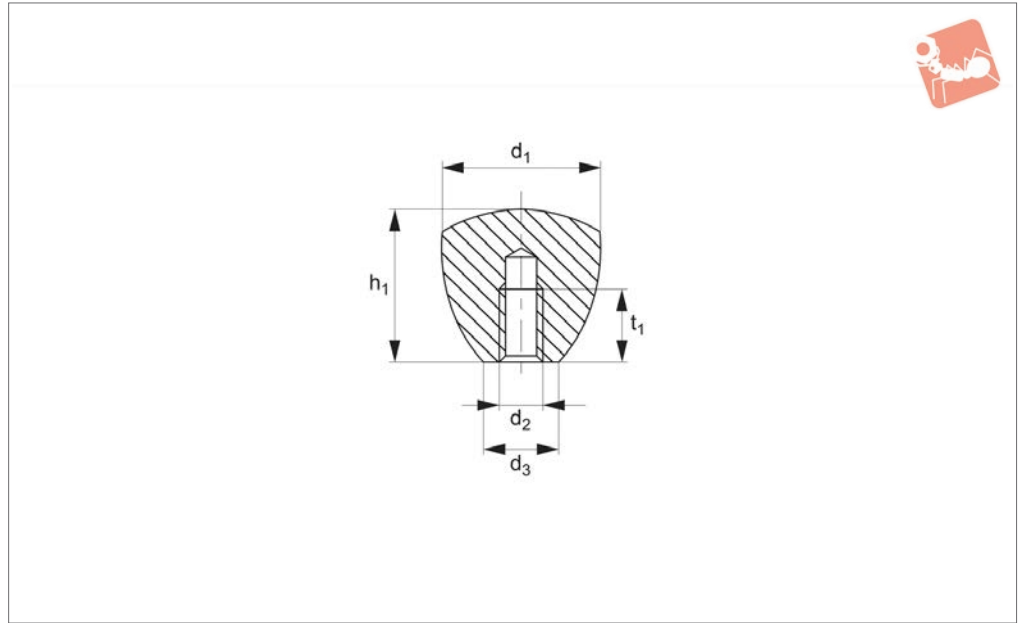
### Material

Duroplast, black, moulded thread.

Order No.	d <sub>1</sub>	d <sub>2</sub>	d <sub>3</sub>	h <sub>1</sub>	t <sub>1</sub>	Weight g
73170.W0031	35	M 6	17	35	20	19
73170.W0032	35	M 8	17	35	20	18
73170.W0051	45	M 8	24	34	23	36
73170.W0052	45	M10	24	34	23	35
73170.W0053	45	M12	24	34	23	34



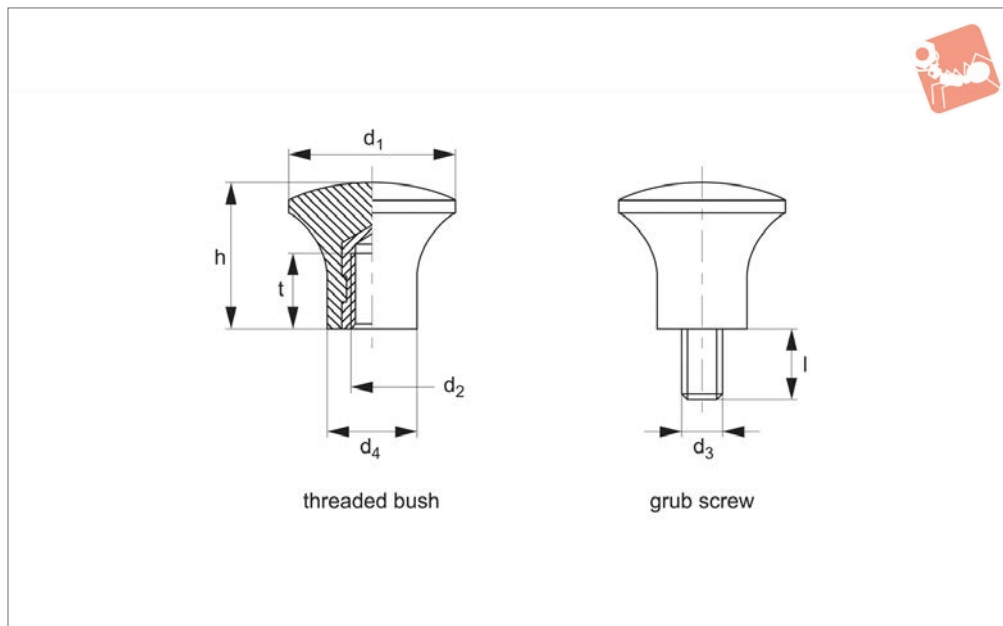
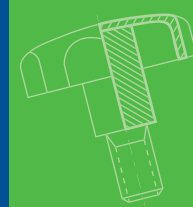
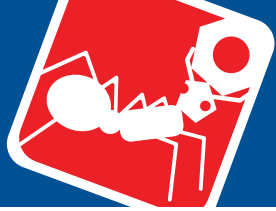
**73180**



**Material**

Duroplast, black. Moulded thread.

Order No.	d <sub>1</sub>	d <sub>2</sub>	d <sub>3</sub>	h <sub>1</sub>	t <sub>1</sub>	Weight g
73180.W0031	30	M 6	15	30	22	21
73180.W0032	30	M 8	15	30	22	20
73180.W0033	30	M10	15	30	22	20



## 73200

GRIPS

### Material

Black, duroplast PF31.  
Brass bush or zinc plated steel male

thread.

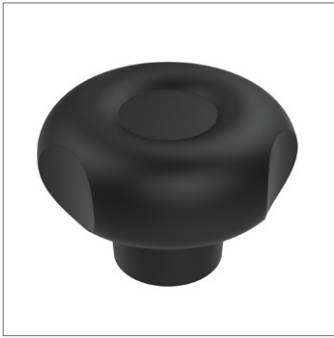
### Technical Notes

Max. temperature 110°C.

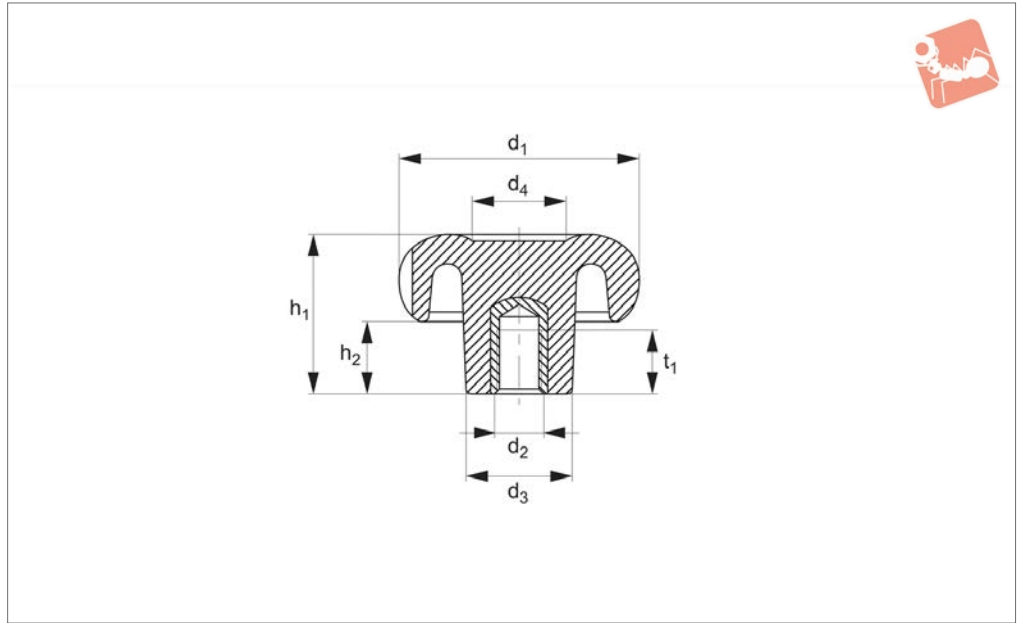
Order No.	Type	d <sub>1</sub>	d <sub>2</sub>	d <sub>3</sub>	l	d <sub>4</sub>	h	t	Weight g
73200.W0017	Threaded Bush	17	M 5	-	-	10	14	7	4.8
73200.W0021	Threaded Bush	21	M 6	-	-	12	17	11	8.2
73200.W0025	Threaded Bush	25	M 6	-	-	14	21	11	11.0
73200.W0033	Threaded Bush	33	M 8	-	-	18	29	12	19.0
73200.W0117	Grub Screw	17	-	M 5	9	10	14	-	4.2
73200.W0121	Grub Screw	21	-	M 6	10	12	17	-	7.1
73200.W0125	Grub Screw	25	-	M 6	10	14	21	-	10.0
73200.W0133	Grub Screw	33	-	M 8	14	18	29	-	23.0



**Three Lobe Knob**  
with stainless steel bush



**70580**



**Material**

Grip: thermoplastic, black.  
Bush: stainless steel.

Order No.	d <sub>1</sub>	d <sub>2</sub>	d <sub>3</sub>	d <sub>4</sub>	h <sub>1</sub>	h <sub>2</sub>	t <sub>1</sub>	Weight g
70580.W0060	30	M 6	14	11	22	11	9	11
70580.W0080	40	M 8	18	15	28	13	13	26
70580.W0100	50	M10	22	20	33	15	16	43

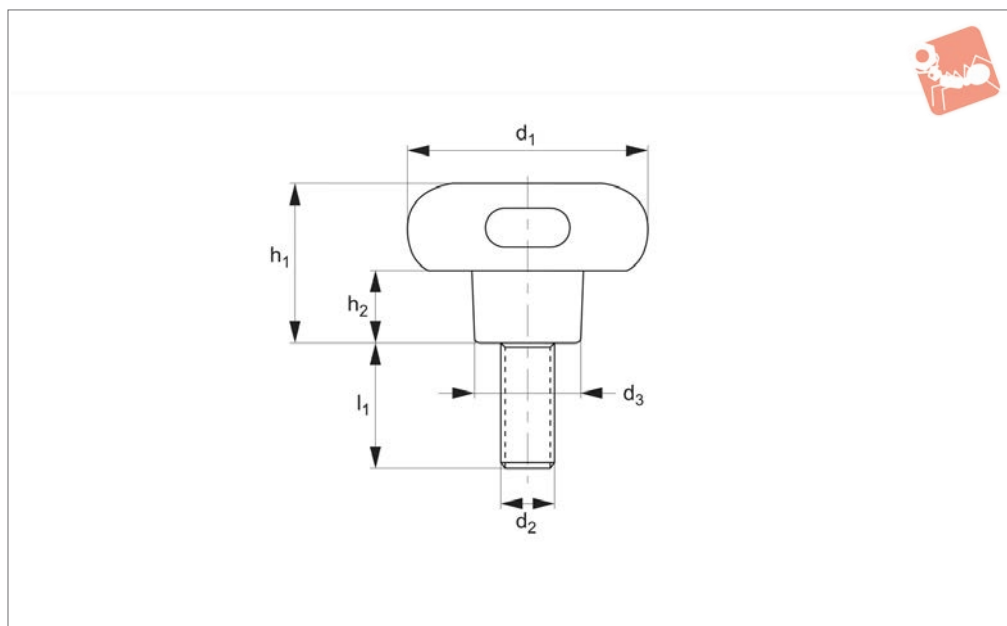




# Three Lobe Knob with stainless steel grub screw



Grips



**70590**

GRIPS

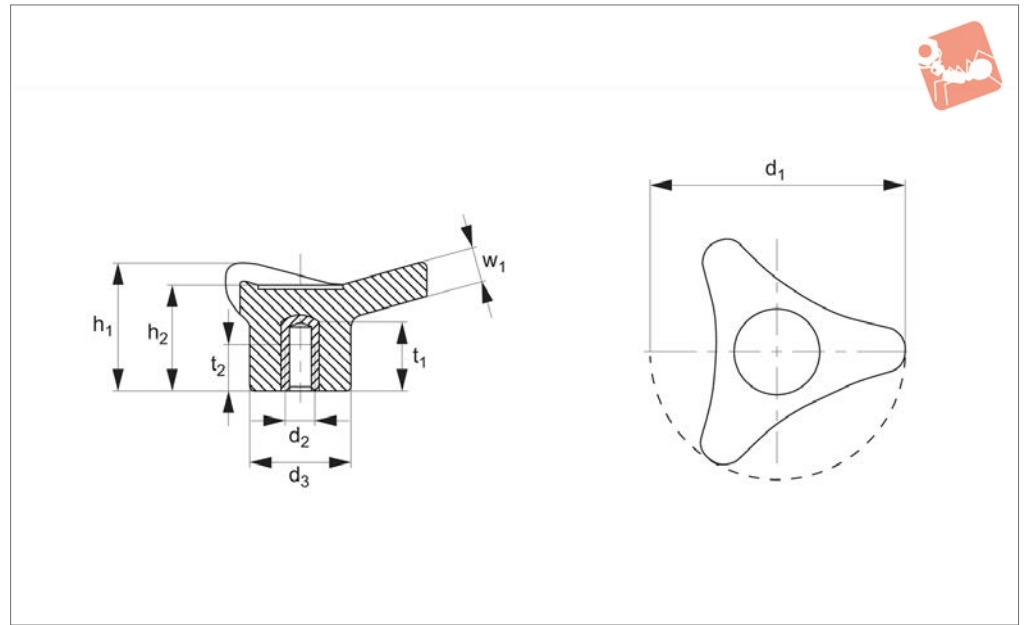
### Material

Grip: thermoplastic, black.  
Grub screw: stainless steel.

Order No.	d <sub>1</sub>	d <sub>2</sub>	l <sub>1</sub>	d <sub>3</sub>	h <sub>1</sub>	h <sub>2</sub>	Weight g
70590.W0061	30	M 6	20	14	22	11	18
70590.W0062	30	M 6	30	14	22	11	20
70590.W0081	40	M 8	20	18	28	13	20
70590.W0082	40	M 8	30	18	28	13	23
70590.W0101	50	M10	25	22	33	15	60
70590.W0102	50	M10	30	22	33	15	64



**70620**



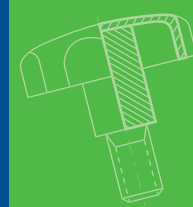
**Material**

Brass bush. Duroplast, black.

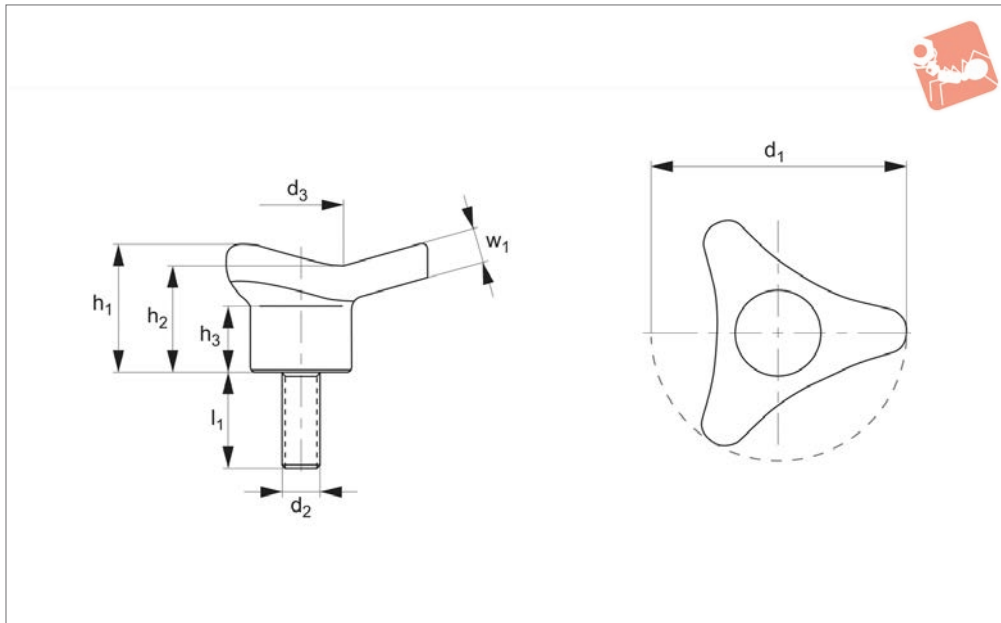
Order No.	d <sub>1</sub>	d <sub>2</sub>	d <sub>3</sub>	h <sub>1</sub>	h <sub>2</sub>	t <sub>1</sub>	t <sub>2</sub>	w <sub>1</sub>	Weight g
70620.W0345	34	M 5	17	22	20	12	9	7.0	11
70620.W0346	34	M 6	17	22	20	12	9	7.0	11
70620.W0348	34	M 8	17	22	20	12	9	7.0	12
70620.W0456	45	M 6	25	30	27	18	13	8.5	26
70620.W0458	45	M 8	25	30	27	18	15	8.5	27
70620.W0459	45	M10	25	30	27	18	16	8.5	28
70620.W0658	65	M 8	30	39	36	25	15	10.0	51
70620.W0659	65	M10	30	39	36	25	16	10.0	51
70620.W0660	65	M12	30	39	36	25	18	10.0	56
70620.W0858	85	M 8	35	48	43	30	15	12.0	89
70620.W0859	85	M10	35	48	43	30	16	12.0	89
70620.W0860	85	M12	35	48	43	30	18	12.0	94
70620.W0861	85	M16	35	48	43	30	20	12.0	100



# Three Lobed Knobs with grub screw



## Grips



**70630**

GRIPS

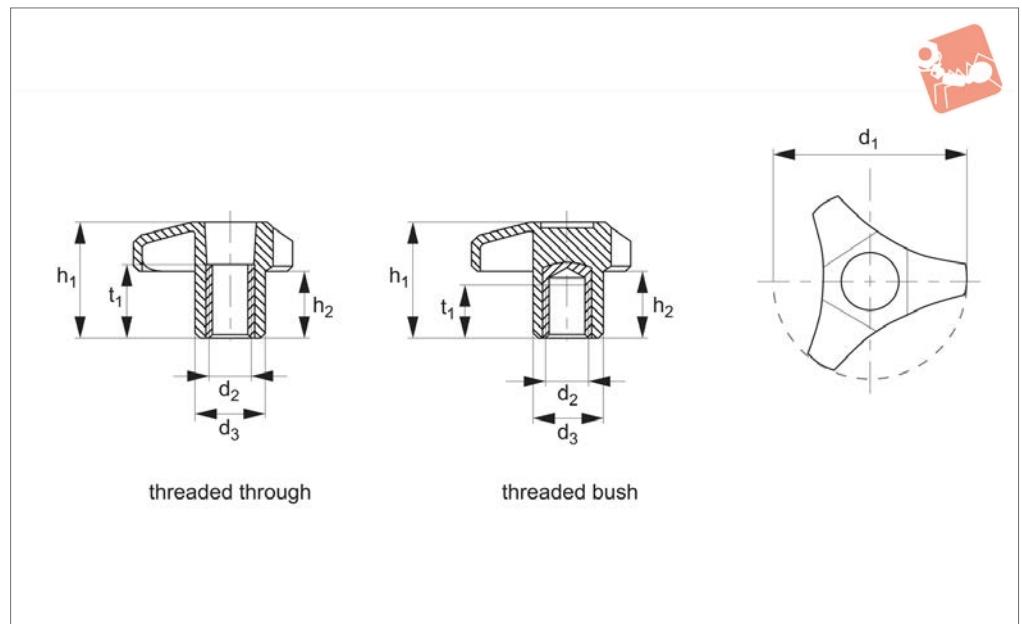
### Material

Zinc plated steel stud. Duroplast, black.

Order No.	d <sub>1</sub>	d <sub>2</sub>	l <sub>1</sub>	d <sub>3</sub>	h <sub>1</sub>	h <sub>2</sub>	h <sub>3</sub>	w <sub>1</sub>	Weight g
70630.W0341	34	M 6	20	17	22	20	12	7.0	15.0
70630.W0342	34	M 6	25	17	22	20	12	7.0	16.0
70630.W0343	34	M 6	30	17	32	20	12	7.0	17.0
70630.W0344	34	M 8	20	17	22	20	12	7.0	19.0
70630.W0345	34	M 8	25	17	22	20	12	7.0	20.0
70630.W0451	41	M 8	20	25	30	27	18	8.5	35.0
70630.W0452	41	M 8	30	25	30	27	18	8.5	37.0
70630.W0453	41	M 8	40	25	30	27	18	8.5	41.0
70630.W0454	41	M10	30	25	30	27	18	8.5	46.0
70630.W0651	65	M 8	40	30	39	36	25	10.0	65.0
70630.W0652	65	M10	30	30	39	36	25	10.0	71.0
70630.W0851	85	M12	20	35	48	43	30	12.0	124.0
70630.W0852	85	M12	35	35	48	43	30	12.0	130.0



70640

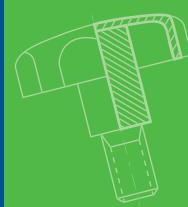
**Material**

Brass bush. Thermoplastic, matt black.

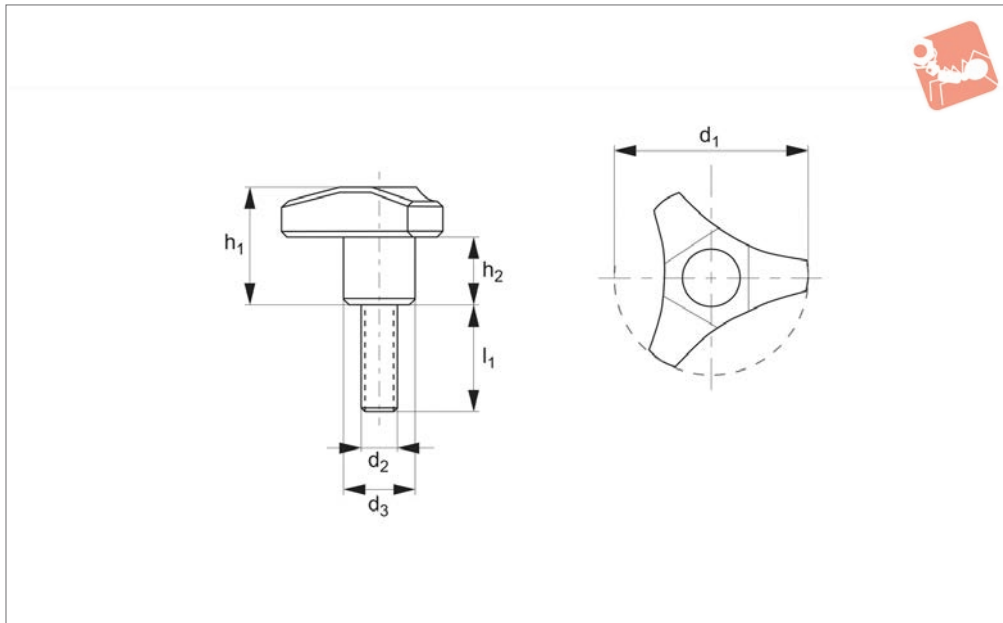
Order No.	Type	d <sub>1</sub>	d <sub>2</sub>	d <sub>3</sub>	h <sub>1</sub>	h <sub>2</sub>	t <sub>1</sub>	Weight g
70640.W0045	Threaded Through	45	M 6	18	27	16	15	12.4
70640.W0046	Threaded Through	45	M 8	18	27	16	15	13.2
70640.W0047	Threaded Through	45	M10	18	27	16	15	13.2
70640.W0055	Threaded Through	55	M 8	20	33	19	15	18.2
70640.W0056	Threaded Through	55	M10	20	33	19	15	19.2
70640.W0057	Threaded Through	55	M12	20	33	19	15	19.8
70640.W0146	Threaded Bush	45	M 6	18	27	16	14	13.8
70640.W0148	Threaded Bush	45	M 8	18	27	16	14	15.6
70640.W0150	Threaded Bush	45	M10	18	27	16	14	17.2
70640.W0155	Threaded Bush	55	M 8	20	33	19	14	22.8
70640.W0156	Threaded Bush	55	M10	20	33	19	14	23.4
70640.W0157	Threaded Bush	55	M12	20	33	19	14	25.6



# Three Lobed Knobs with grub screw



## Grips



**70660**

GRIPS

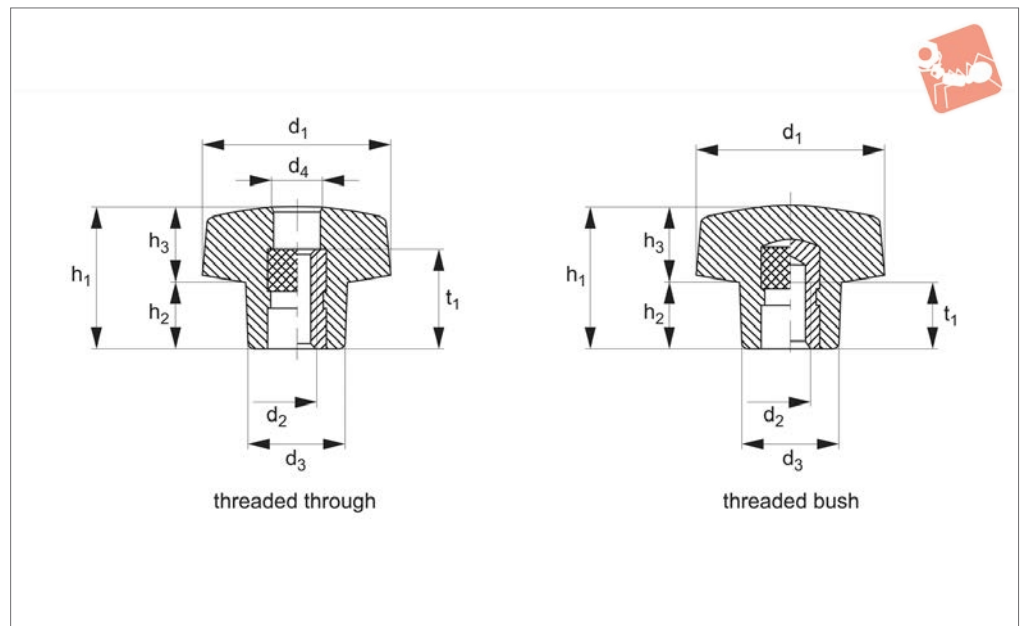
### Material

Zinc plated steel stud. Thermoplastic, matt black.

Order No.	d <sub>1</sub>	d <sub>2</sub>	l <sub>1</sub>	d <sub>3</sub>	h <sub>1</sub>	h <sub>2</sub>	Weight g
70660.W0451	45	M 6	20	18	27	16	16.4
70660.W0452	45	M 6	25	18	27	16	17.0
70660.W0453	45	M 6	40	18	27	16	20.0
70660.W0454	45	M 8	20	18	27	16	20.2
70660.W0455	45	M 8	25	18	27	16	23.6
70660.W0456	45	M 8	40	18	27	16	27.0
70660.W0457	45	M10	20	18	27	16	30.0
70660.W0458	45	M10	30	18	27	16	35.0
70660.W0551	55	M 6	20	20	33	19	22.8
70660.W0552	55	M 6	25	20	33	19	23.6
70660.W0553	55	M 6	40	20	33	19	26.8
70660.W0554	55	M 8	20	20	33	19	27.2
70660.W0556	55	M 8	40	20	33	19	33.4
70660.W0560	55	M 8	30	20	33	19	30.1
70660.W0557	55	M10	20	20	33	19	36.4
70660.W0558	55	M10	30	20	33	19	42.0

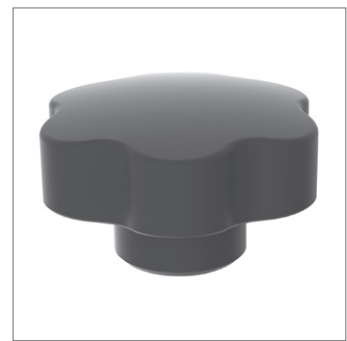
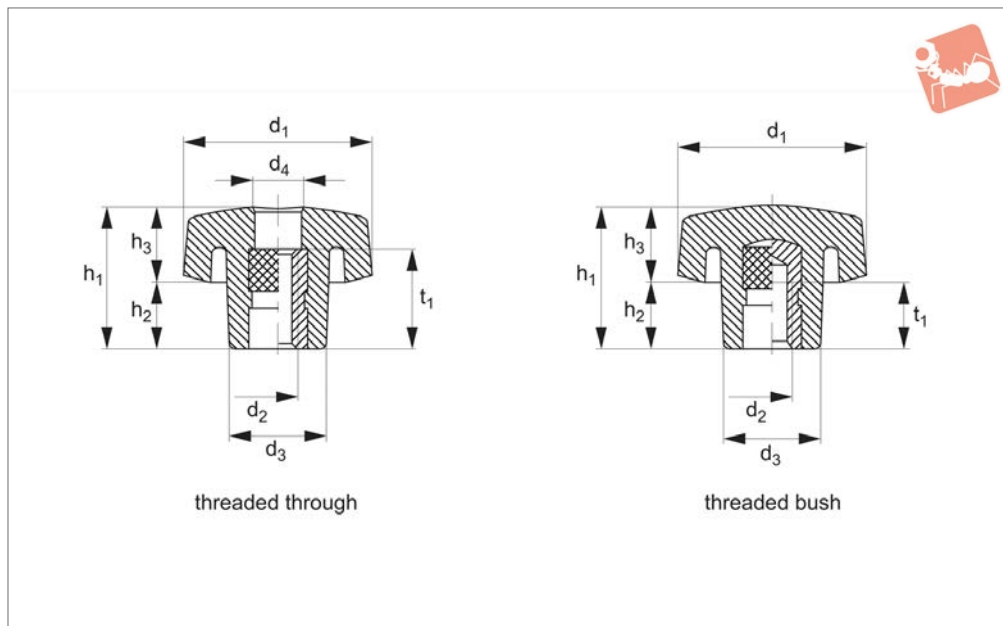
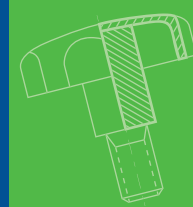


70680

**Material**

Brass bush. Duroplast, black.

Order No.	Type	d <sub>1</sub>	d <sub>2</sub>	d <sub>3</sub>	d <sub>4</sub>	h <sub>1</sub>	h <sub>2</sub>	h <sub>3</sub>	t <sub>1</sub>	Weight g
70680.W0021	Threaded Through	20	M 4	13	7.5	15	7	8.0	11	6
70680.W0022	Threaded Through	20	M 5	13	7.5	15	7	8.0	11	7
70680.W0023	Threaded Through	20	M 6	13	7.5	15	7	8.0	11	10
70680.W0031	Threaded Through	30	M 5	17	9.0	24	11	12.5	15	15
70680.W0032	Threaded Through	30	M 6	17	9.0	24	11	12.5	15	16
70680.W0033	Threaded Through	30	M 8	17	9.0	24	11	12.5	15	17
70680.W0204	Threaded Bush	20	M 4	13	-	15	7	8.0	9	5
70680.W0205	Threaded Bush	20	M 5	13	-	15	7	8.0	9	5
70680.W0206	Threaded Bush	20	M 6	13	-	15	7	8.0	9	5
70680.W0305	Threaded Bush	30	M 5	17	-	24	11	13.0	9	14
70680.W0306	Threaded Bush	30	M 6	17	-	24	11	13.0	9	15
70680.W0308	Threaded Bush	30	M 8	17	-	24	11	13.0	15	17
70680.W0406	Threaded Bush	40	M 6	21	-	28	12	16.0	13	35
70680.W0408	Threaded Bush	40	M 8	21	-	28	12	16.0	15	34
70680.W0410	Threaded Bush	40	M10	21	-	28	12	16.0	16	36
70680.W0508	Threaded Bush	50	M 8	25	-	33	13	20.0	15	54
70680.W0510	Threaded Bush	50	M10	25	-	33	13	20.0	16	56
70680.W0512	Threaded Bush	50	M12	25	-	33	13	20.0	18	58



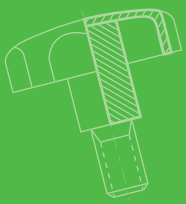
## 70700

GRIPS

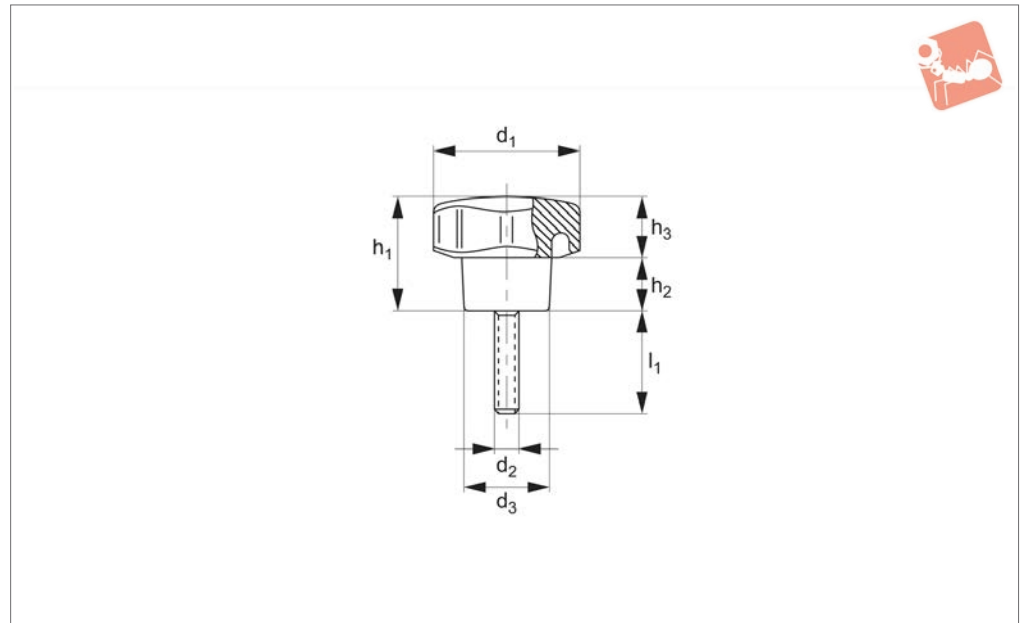
### Material

Brass bush. Duroplast, black.

Order No.	Type	d <sub>1</sub>	d <sub>2</sub>	d <sub>3</sub>	d <sub>4</sub>	h <sub>1</sub>	h <sub>2</sub>	h <sub>3</sub>	t <sub>1</sub>	Weight g
70700.W0041	Threaded Through	40	M 6	21	11	28	13	15	18	28
70700.W0042	Threaded Through	40	M 8	21	11	28	13	15	18	29
70700.W0043	Threaded Through	40	M10	21	11	28	13	15	18	31
70700.W0051	Threaded Through	50	M 8	25	13	33	15	18	18	43
70700.W0052	Threaded Through	50	M10	25	13	33	15	18	18	45
70700.W0053	Threaded Through	50	M12	25	13	33	15	18	18	47
70700.W0061	Threaded Through	60	M10	28	11	35	15	20	25	70
70700.W0062	Threaded Through	60	M12	28	13	35	15	20	25	70
70700.W0063	Threaded Through	60	M14	28	15	35	15	20	25	70
70700.W0064	Threaded Through	60	M16	28	17	35	15	20	25	68
70700.W0071	Threaded Through	70	M10	32	11	42	21	21	25	92
70700.W0072	Threaded Through	70	M12	32	13	42	21	21	25	96
70700.W0073	Threaded Through	32	M14	70	15	42	21	21	25	94
70700.W0074	Threaded Through	70	M16	32	17	42	21	21	25	93
70700.W0406	Threaded Bush	40	M 6	21	-	28	13	15	13	26
70700.W0408	Threaded Bush	40	M 8	21	-	28	13	15	15	30
70700.W0410	Threaded Bush	40	M10	21	-	28	13	15	16	31
70700.W0508	Threaded Bush	50	M 8	25	-	33	15	18	15	48
70700.W0510	Threaded Bush	50	M10	25	-	33	15	18	16	49
70700.W0512	Threaded Bush	50	M12	25	-	33	15	18	18	50
70700.W0608	Threaded Bush	60	M 8	28	-	35	15	20	15	67
70700.W0610	Threaded Bush	60	M10	28	-	35	15	20	16	68
70700.W0612	Threaded Bush	60	M12	28	-	35	15	20	18	70
70700.W0614	Threaded Bush	60	M14	28	-	35	15	20	20	75
70700.W0620	Threaded Bush	60	M16	28	-	35	15	20	20	77
70700.W0710	Threaded Bush	70	M10	32	-	42	21	21	16	92
70700.W0712	Threaded Bush	70	M12	32	-	42	21	21	18	95
70700.W0714	Threaded Bush	70	M14	32	-	42	21	21	20	100
70700.W0716	Threaded Bush	70	M16	32	-	42	21	21	20	102
70700.W0912	Threaded Bush	90	M12	42	-	55	26	29	18	202
70700.W0914	Threaded Bush	90	M14	42	-	55	26	29	20	201
70700.W0916	Threaded Bush	90	M16	42	-	55	26	29	20	201
70700.W0918	Threaded Bush	90	M18	42	-	55	26	29	20	217



## 70720



### Material

Zinc plated steel stud. Duroplast, black.

Order No.	d <sub>1</sub>	d <sub>2</sub>	l <sub>1</sub>	d <sub>3</sub>	h <sub>1</sub>	h <sub>2</sub>	h <sub>3</sub>	Weight g
70720.W0040	40	M 6	25	21	28	13	15	34
70720.W0041	40	M 6	40	21	28	13	15	37
70720.W0042	40	M 8	20	21	28	13	15	38
70720.W0043	40	M 8	25	21	28	13	15	39
70720.W0044	40	M 8	30	21	28	13	15	40
70720.W0045	40	M 8	40	21	28	13	15	44
70720.W0046	40	M 8	50	21	28	13	15	46
70720.W0047	40	M 8	70	21	28	13	15	55
70720.W0048	40	M10	50	21	28	13	15	60
70720.W0049	40	M10	70	21	28	13	15	70
70720.W0050	50	M 8	25	25	33	15	18	55
70720.W0051	50	M 8	40	25	33	15	18	60
70720.W0052	50	M 8	60	25	33	15	18	67
70720.W0053	50	M10	25	25	33	15	18	63
70720.W0054	50	M10	40	25	33	15	18	70
70720.W0055	50	M10	50	25	33	15	18	76
70720.W0056	50	M10	15	25	33	15	18	84
70720.W0057	50	M12	40	25	33	15	18	93
70720.W0058	50	M12	60	25	33	15	18	108
70720.W0060	60	M 8	20	28	35	15	20	75
70720.W0061	60	M 8	40	28	35	15	20	80
70720.W0062	60	M 8	60	28	35	15	20	87
70720.W0063	60	M10	20	28	35	15	20	82
70720.W0064	60	M10	40	28	35	15	20	96
70720.W0065	60	M10	60	28	35	15	20	107
70720.W0066	60	M12	30	28	35	15	20	107
70720.W0067	60	M12	50	28	35	15	20	122
70720.W0068	60	M12	60	28	35	15	20	127
70720.W0069	60	M12	80	28	35	15	20	133
70720.W0070	70	M10	30	32	42	21	21	115
70720.W0071	70	M10	40	32	42	21	21	116
70720.W0072	70	M12	30	32	42	21	21	133
70720.W0073	70	M12	40	32	42	21	21	138
70720.W0074	70	M12	50	32	42	21	21	145





## Six Lobed Knobs with grub screw



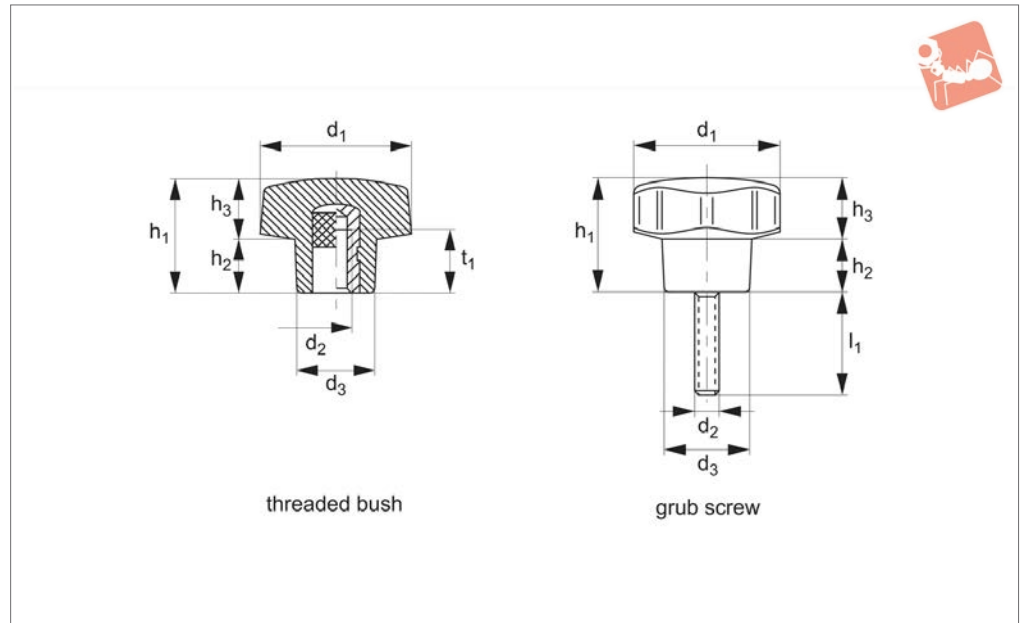
## Grips

Order No.	d <sub>1</sub>	d <sub>2</sub>	l <sub>1</sub>	d <sub>3</sub>	h <sub>1</sub>	h <sub>2</sub>	h <sub>3</sub>	Weight g
70720.W0075	70	M12	70	32	42	21	21	156
70720.W0076	70	M14	40	32	42	21	21	170
70720.W0077	70	M14	50	32	42	21	21	181
70720.W0090	90	M12	60	42	55	26	29	255
70720.W0091	90	M12	70	42	55	26	29	260
70720.W0092	90	M14	60	42	55	26	29	283
70720.W0093	90	M14	70	42	55	26	29	288
70720.W0094	90	M16	60	42	55	26	29	322
70720.W0095	90	M16	70	42	55	26	29	328

GRIPS



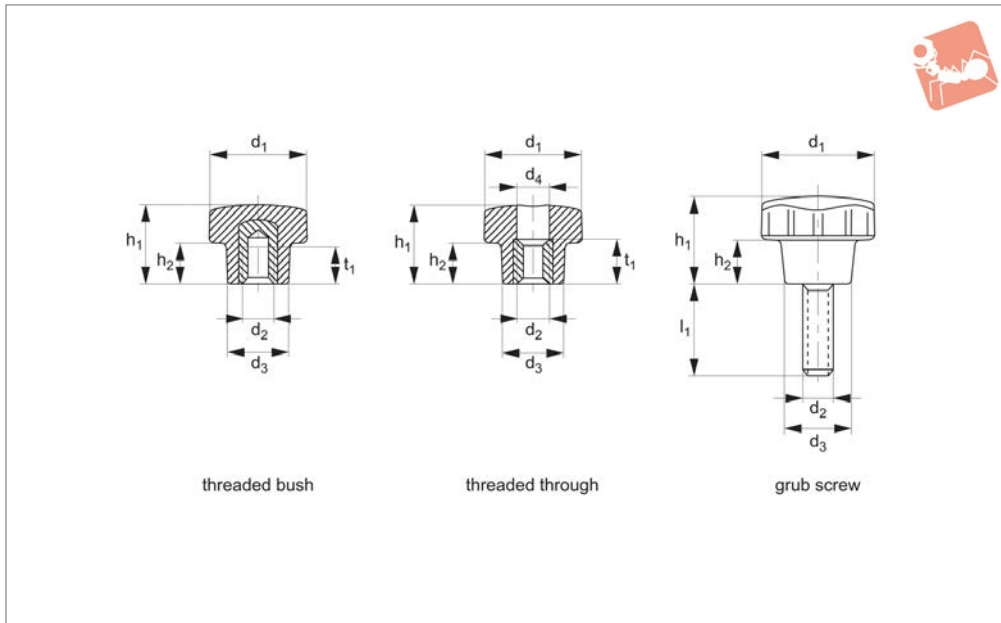
**70740**



**Material**

Stainless steel bush or thread AISI 303 (1.4305). Duroplast, black.

Order No.	Type	$d_1$	$d_2$	$l_1$	$d_3$	$h_1$	$h_2$	$h_3$	$t_1$	Weight g
70740.W0030	Threaded Bush	30	M 6	-	17	24	11	13	9	15
70740.W0040	Threaded Bush	40	M 8	-	21	28	12	16	15	33
70740.W0050	Threaded Bush	50	M10	-	25	33	13	20	16	55
70740.W0060	Threaded Bush	60	M12	-	28	37	15	22	18	85
70740.W0301	Grub Screw	30	M 6	10	17	24	11	13	-	18
70740.W0302	Grub Screw	30	M 6	20	17	24	11	13	-	21
70740.W0303	Grub Screw	30	M 6	35	17	24	11	13	-	22
70740.W0401	Grub Screw	40	M 8	20	21	28	12	16	-	42
70740.W0402	Grub Screw	40	M 8	25	21	28	12	16	-	44
70740.W0403	Grub Screw	40	M 8	30	21	28	12	16	-	46
70740.W0404	Grub Screw	40	M 8	45	21	28	12	16	-	51
70740.W0501	Grub Screw	50	M10	20	25	33	13	20	-	73
70740.W0502	Grub Screw	50	M10	30	25	33	13	20	-	78
70740.W0503	Grub Screw	50	M10	50	25	33	13	20	-	87
70740.W0601	Grub Screw	60	M12	30	28	37	15	22	-	118
70740.W0602	Grub Screw	60	M12	40	28	37	15	22	-	125
70740.W0603	Grub Screw	60	M12	50	28	37	15	22	-	132
70740.W0701	Grub Screw	70	M12	70	32	42	18	24	-	184



## 70760

GRIPS

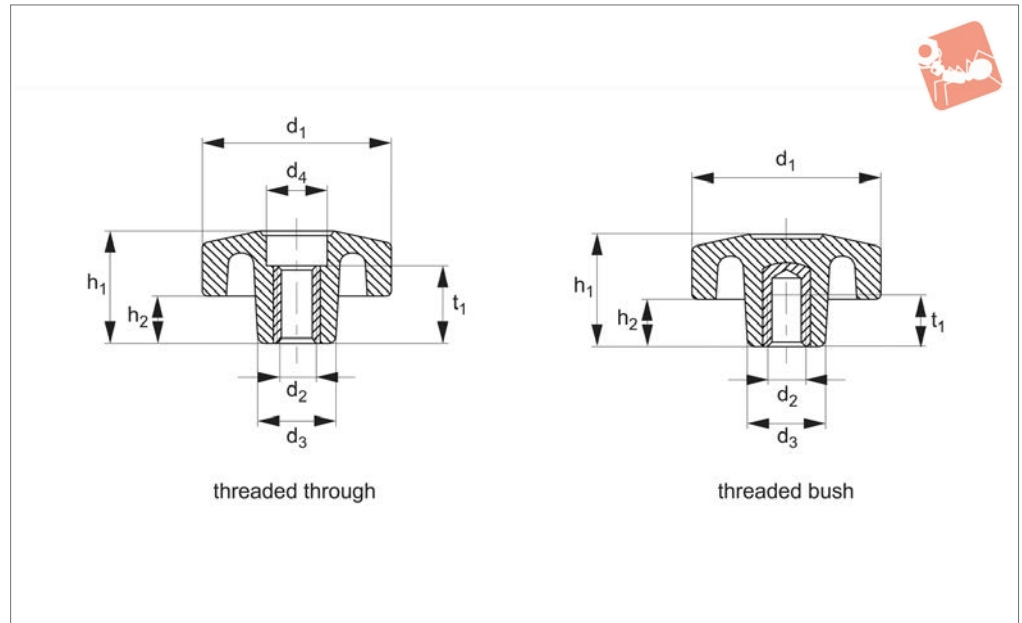
### Material

Brass bush. Thermoplastic, black.

Order No.	Type	d <sub>1</sub>	d <sub>2</sub>	l <sub>1</sub>	d <sub>3</sub>	d <sub>4</sub>	h <sub>1</sub>	h <sub>2</sub>	t <sub>1</sub>	Weight g
<b>70760.W0004</b>	Threaded Bush	21	M 4	-	13	-	15	8	8	8
<b>70760.W0005</b>	Threaded Bush	21	M 5	-	13	-	15	8	8	8
<b>70760.W0006</b>	Threaded Bush	21	M 6	-	13	-	15	8	8	8
<b>70760.W0104</b>	Threaded Through	21	M 4	-	13	7	15	8	11	7
<b>70760.W0105</b>	Threaded Through	21	M 5	-	13	7	15	8	11	7
<b>70760.W0106</b>	Threaded Through	21	M 6	-	13	7	15	8	11	7
<b>70760.W0410</b>	Grub Screw	21	M 4	10	13	-	16	8	-	5
<b>70760.W0425</b>	Grub Screw	21	M 4	25	13	-	16	8	-	5
<b>70760.W0510</b>	Grub Screw	21	M 5	10	13	-	16	8	-	6
<b>70760.W0515</b>	Grub Screw	21	M 5	15	13	-	16	8	-	6



70800

**Material**

Brass bush. Thermoplastic, matte black.

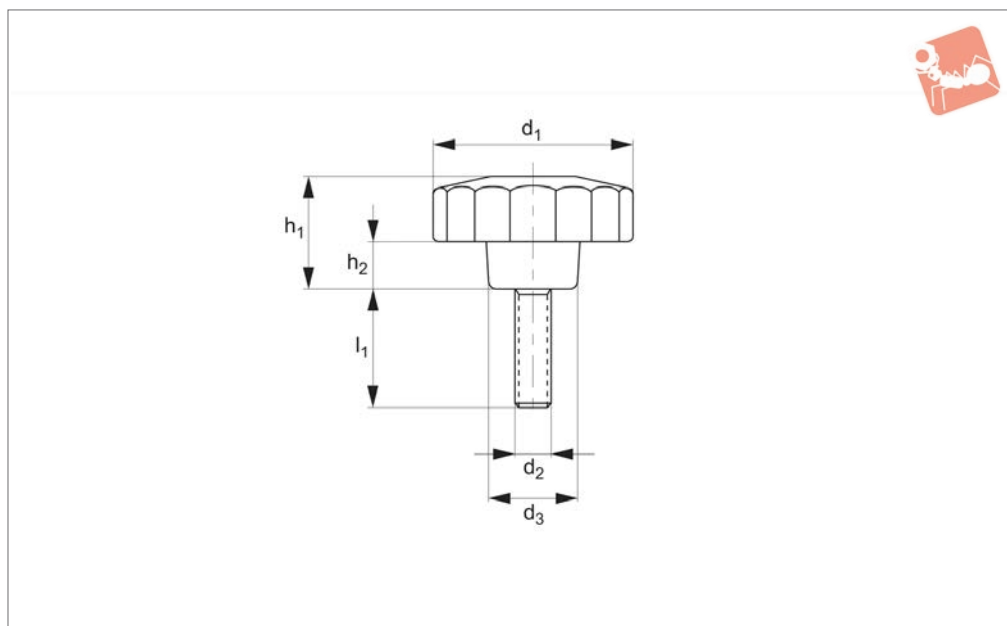
Order No.	Type	d <sub>1</sub>	d <sub>2</sub>	d <sub>3</sub>	h <sub>1</sub>	d <sub>4</sub>	t <sub>1</sub>	h <sub>2</sub>	Weight g
70800.W0021	Threaded Through	25	M 4	13	17	7	11	8	7
70800.W0022	Threaded Through	25	M 5	13	17	7	11	8	8
70800.W0023	Threaded Through	25	M 6	13	17	7	11	8	9
70800.W0031	Threaded Through	35	M 6	18	20	11	15	8	18
70800.W0032	Threaded Through	35	M 8	18	20	11	15	8	18
70800.W0033	Threaded Through	35	M10	18	20	11	15	8	19
70800.W0042	Threaded Through	45	M 6	22	26	11	18	12	27
70800.W0043	Threaded Through	45	M 8	22	26	11	18	12	28
70800.W0044	Threaded Through	45	M10	22	26	11	18	12	30
70800.W0051	Threaded Through	55	M 8	25	29	13	18	15	40
70800.W0052	Threaded Through	55	M10	25	29	13	18	15	41
70800.W0053	Threaded Through	55	M12	25	29	13	18	15	42
70800.W0254	Threaded Bush	25	M 4	13	17	-	9	8	7
70800.W0255	Threaded Bush	25	M 5	13	17	-	9	8	7
70800.W0256	Threaded Bush	25	M 6	13	17	-	9	8	7
70800.W0356	Threaded Bush	35	M 6	18	20	-	13	8	16
70800.W0358	Threaded Bush	35	M 8	18	20	-	13	8	17
70800.W0359	Threaded Bush	35	M10	18	20	-	13	8	18
70800.W0455	Threaded Bush	45	M 5	22	26	-	13	12	27
70800.W0456	Threaded Bush	45	M 6	22	26	-	13	12	27
70800.W0458	Threaded Bush	45	M 8	22	26	-	13	12	28
70800.W0459	Threaded Bush	45	M10	22	26	-	13	12	29
70800.W0558	Threaded Bush	55	M 8	25	29	-	15	15	43
70800.W0559	Threaded Bush	55	M10	25	29	-	16	15	44
70800.W0562	Threaded Bush	55	M12	25	29	-	18	15	45



# Eight Lobed Knobs with grub screw



Grips



**70820**

GRIPS

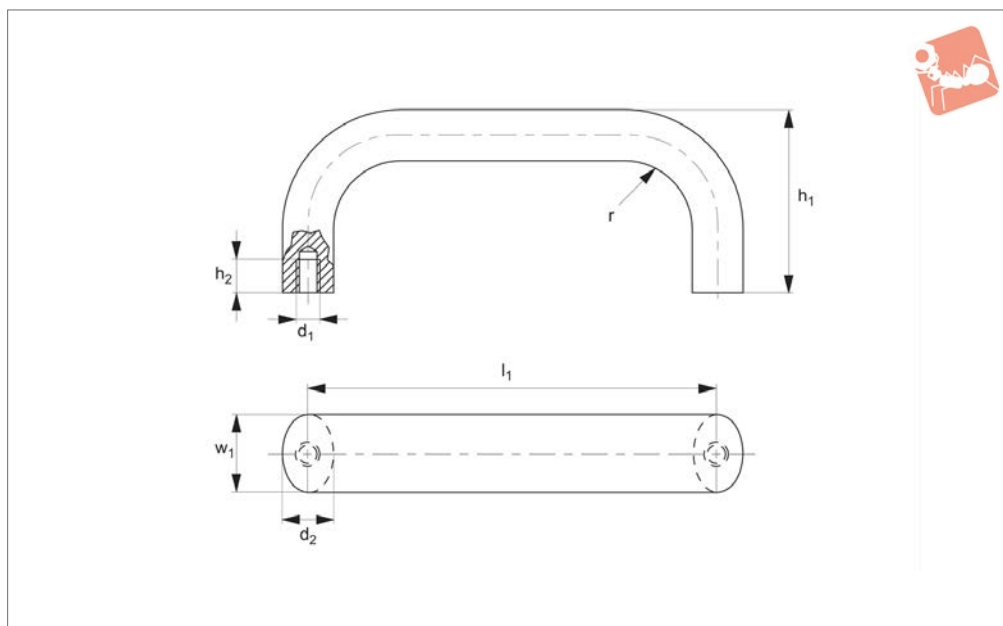
### Material

Zinc plated steel stud. Thermoplastic, black, matte.

Order No.	d <sub>1</sub>	d <sub>2</sub>	l <sub>1</sub>	d <sub>3</sub>	h <sub>1</sub>	h <sub>2</sub>	Weight g
70820.W0021	25	M 4	15	13	17	8	7
70820.W0022	25	M 5	15	13	17	8	8
70820.W0023	25	M 5	25	13	17	8	9
70820.W0024	25	M 6	15	13	17	8	10
70820.W0025	25	M 6	20	13	17	8	11
70820.W0026	25	M 6	25	13	17	8	12
70820.W0031	35	M 6	15	18	20	8	19
70820.W0032	35	M 6	25	18	20	8	20
70820.W0033	35	M 6	35	18	20	8	22
70820.W0034	35	M 8	20	18	20	8	26
70820.W0035	35	M 8	25	18	20	8	26
70820.W0036	35	M 8	40	18	20	8	29
70820.W0037	35	M10	30	18	20	8	35
70820.W0041	45	M 8	20	22	26	12	37
70820.W0042	45	M 8	25	22	26	12	38
70820.W0043	45	M 8	30	22	26	12	39
70820.W0044	45	M 8	40	22	26	12	41
70820.W0045	45	M10	20	22	26	12	44
70820.W0046	45	M10	30	22	26	12	51
70820.W0047	45	M10	40	22	26	12	54
70820.W0051	55	M 8	20	25	29	15	50
70820.W0052	55	M 8	30	25	29	15	53
70820.W0053	55	M 8	40	25	29	15	56
70820.W0054	55	M10	20	25	29	15	57
70820.W0055	55	M10	30	25	29	15	63
70820.W0056	55	M10	40	25	29	15	68
70820.W0057	55	M12	30	25	29	15	83
70820.W0058	55	M12	40	25	29	15	90



**78000**



### Material

Aluminium: plastic coated, black RAL9005  
Natural silver anodised, bright.

### Technical Notes

Ergonomic design offering high stability and smooth surfaces.

Order No.	Colour	$l_1$	$w_1$	$h_1$	$d_1$	$d_2$	$h_2$	R	Weight g
78000.W0010	Black	100	20	47	M 6	13	10	13	92
78000.W0011	Black	112	20	49	M 6	13	10	13	97
78000.W0012	Black	128	20	51	M 6	13	10	13	110
78000.W0013	Black	117	20	49	M 6	13	10	13	100
78000.W0014	Black	120	20	49	M 6	13	10	13	97
78000.W0016	Black	160	20	51	M 6	13	10	13	126
78000.W0111	Black	112	26	53	M 8	17	12	17	165
78000.W0112	Black	128	26	55	M 8	17	12	17	181
78000.W0113	Black	117	26	55	M 8	17	12	17	166
78000.W0114	Black	120	26	55	M 8	17	12	17	200
78000.W0115	Black	125	26	55	M 8	17	12	17	180
78000.W0116	Black	160	26	57	M 8	17	12	17	219
78000.W0117	Black	179	26	57	M 8	17	12	17	234
78000.W0119	Black	192	26	57	M 8	17	12	17	250
78000.W0130	Black	300	26	57	M 8	17	12	17	347
78000.W0140	Black	400	26	57	M 8	17	12	17	445
78000.W0150	Black	500	26	57	M 8	17	12	17	538
78000.W0210	Natural	100	20	47	M 6	13	10	13	92
78000.W0211	Natural	112	20	49	M 6	13	10	13	97
78000.W0212	Natural	128	20	51	M 6	13	10	13	110
78000.W0213	Natural	117	20	49	M 6	13	10	13	100
78000.W0214	Natural	120	20	49	M 6	13	10	13	97
78000.W0216	Natural	160	20	51	M 6	13	10	13	126
78000.W0311	Natural	112	26	53	M 8	17	12	17	165
78000.W0312	Natural	128	26	55	M 8	17	12	17	181
78000.W0313	Natural	117	26	55	M 8	17	12	17	166
78000.W0314	Natural	120	26	55	M 8	17	12	17	200
78000.W0315	Natural	125	26	55	M 8	17	12	17	180
78000.W0316	Natural	160	26	57	M 8	17	12	17	219
78000.W0317	Natural	179	26	57	M 8	17	12	17	234
78000.W0319	Natural	192	26	57	M 8	17	12	17	250
78000.W0330	Natural	300	26	57	M 8	17	12	17	347
78000.W0340	Natural	400	26	57	M 8	17	12	17	445
78000.W0350	Natural	500	26	57	M 8	17	12	17	538

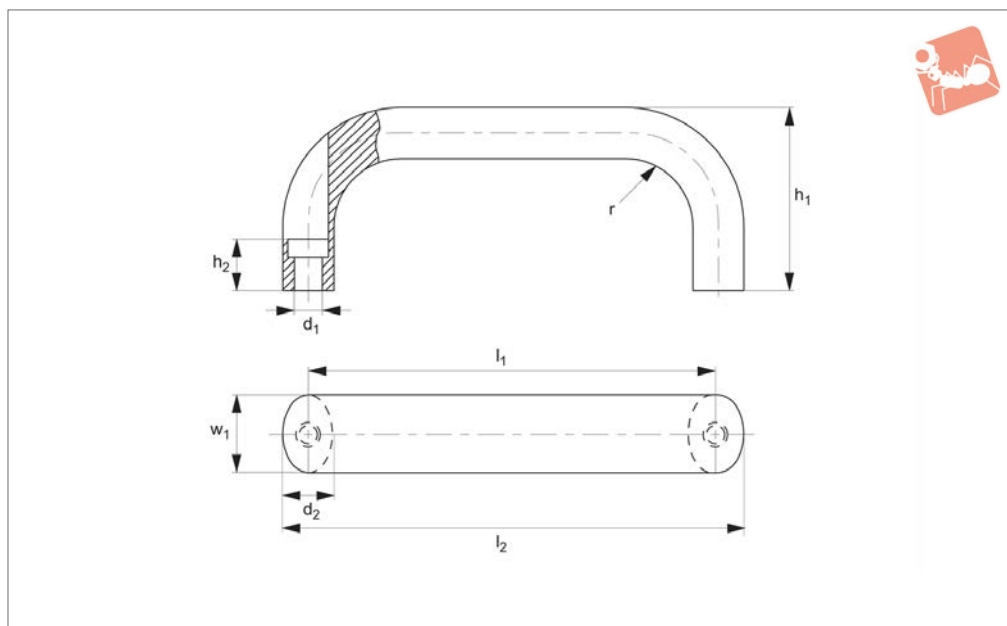


# Cabinet Handles

aluminium, front mounting



## Pull Handles



**78010**

PULL HANDLES

### Material

Aluminium: plastic coated, black RAL 9005  
Natural silver, bright.

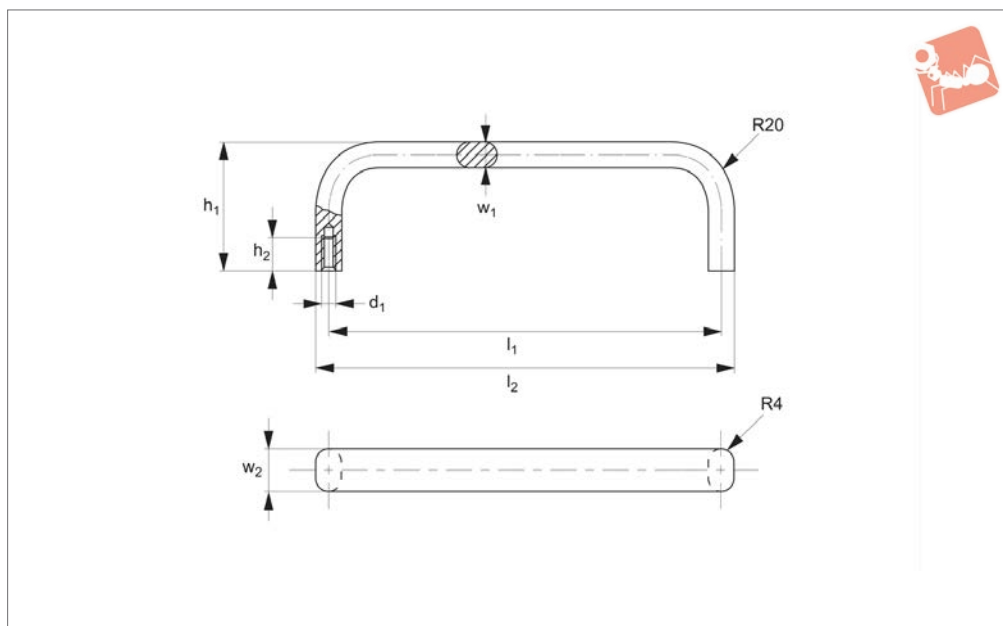
### Technical Notes

Ergonomic design offering high stability and smooth surfaces.

Order No.	Colour	$l_1$	$w_1$	$h_1$	$d_1$	$d_2$	$l_2$	$h_2$	For cylinder screw	$r$	Weight g
78010.W0100	Black	100	20	49	5.4	13	112	19	M 5	13	80
78010.W0103	Black	112	20	49	5.4	13	124	19	M 5	13	82
78010.W0106	Black	128	20	51	5.4	13	140	19	M 5	13	100
78010.W0109	Black	160	20	51	5.4	13	172	19	M 5	13	100
78010.W0111	Black	116	26	55	6.4	17	130	17	M 6	17	146
78010.W0113	Black	132	26	55	6.4	17	146	17	M 6	17	164
78010.W0116	Black	164	26	57	6.4	17	178	17	M 6	17	206
78010.W0119	Black	196	26	57	6.4	17	210	17	M 6	17	232
78010.W0300	Natural	100	20	49	5.4	13	112	19	M 5	13	80
78010.W0303	Natural	112	20	49	5.4	13	124	19	M 5	13	82
78010.W0306	Natural	128	20	51	5.4	13	140	19	M 5	13	100
78010.W0309	Natural	160	20	51	5.4	13	172	19	M 5	13	100
78010.W0311	Natural	116	26	55	6.4	17	130	17	M 6	17	146
78010.W0313	Natural	132	26	55	6.4	17	146	17	M 6	17	164
78010.W0316	Natural	164	26	57	6.4	17	178	17	M 6	17	206
78010.W0319	Natural	196	26	57	6.4	17	210	17	M 6	17	232
78010.W0511	Stainless	160	20	49	5.4	13	124	19	M5	13	258
78010.W0521	Stainless	128	20	49	5.4	13	140	19	M5	13	293
78010.W0531	Stainless	160	20	51	5.4	13	172	19	M5	13	345



**78020**



**Material**

Oval aluminium, Al Mg Si 0,5.

Finish: anodized with matt finish in natural

colour or black.

**Technical Notes**

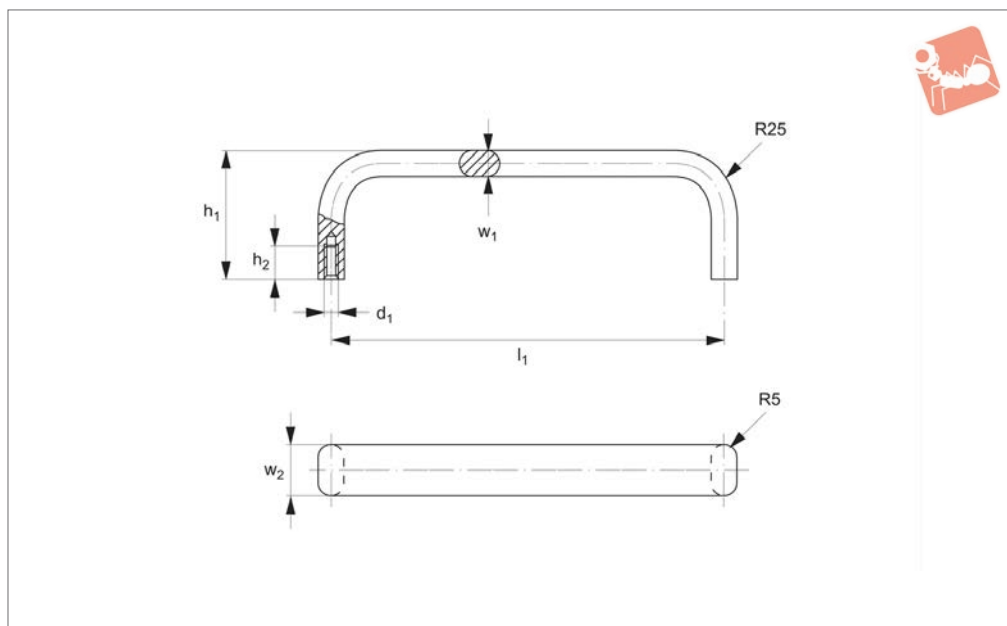
Minimum stress resistance 500N.

Order No.	Colour	$l_1$	$w_1$	$h_1$	$d_1$	$l_2$	$h_2$	$w_2$
78020.W0055-1	Natural	55	8	40	M 5	63	10	12
78020.W0055-4	Black	55	8	40	M 5	63	10	12
78020.W0088-1	Natural	88	8	40	M 5	96	10	12
78020.W0088-4	Black	88	8	40	M 5	96	10	12
78020.W0100-1	Natural	100	8	40	M 5	108	10	12
78020.W0100-4	Black	100	8	40	M 5	108	10	12
78020.W0120-1	Natural	120	8	40	M 5	128	10	12
78020.W0120-4	Black	120	8	40	M 5	128	10	12
78020.W0180-1	Natural	180	8	40	M 5	180	10	12
78020.W0180-4	Black	180	8	40	M 5	188	10	12
78020.W0200-1	Natural	200	8	40	M 5	208	10	12
78020.W0200-4	Black	200	8	40	M 5	208	10	12
78020.W0235-1	Natural	235	8	40	M 5	243	10	12
78020.W0235-4	Black	235	8	40	M 5	243	10	12
78020.W0250-1	Natural	250	8	40	M 5	258	10	12
78020.W0250-4	Black	250	8	40	M 5	258	10	12





# Pull Handles - Oval aluminium



**78030**

PULL HANDLES

### Material

Flat-oval profiled aluminium AlMgSi 0.5.  
Finish: ground and anodized with a matte

finish in natural or black colour.

### Technical Notes

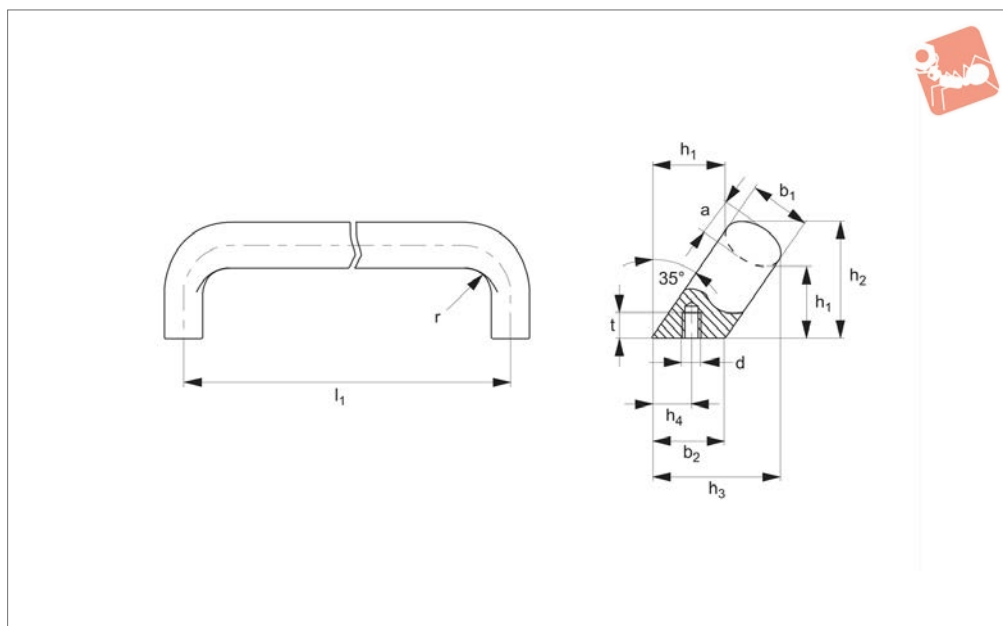
Minimum stress resistance 500N. Suitable

for engineering, instrument and apparatus building.

Order No.	Colour	$l_1$	$w_1$	$h_1$	$d_1$	$h_2$	$w_2$
78030.W0120-1	Natural	120	10	45	5	10	20
78030.W0120-4	Black	120	10	45	5	10	20
78030.W0140-1	Natural	140	10	45	5	10	20
78030.W0140-4	Black	140	10	45	5	10	20
78030.W0180-1	Natural	180	10	45	5	10	20
78030.W0180-4	Black	180	10	45	5	10	20
78030.W0200-1	Natural	200	10	45	5	10	20
78030.W0200-4	Black	200	10	45	5	10	20
78030.W0350-1	Natural	350	10	45	6	12	20
78030.W0350-4	Black	350	10	45	6	12	20



**78040**



**Material**

Aluminium: natural silver - matt anodized, or plastic coated. Black - RAL 9005, matte,

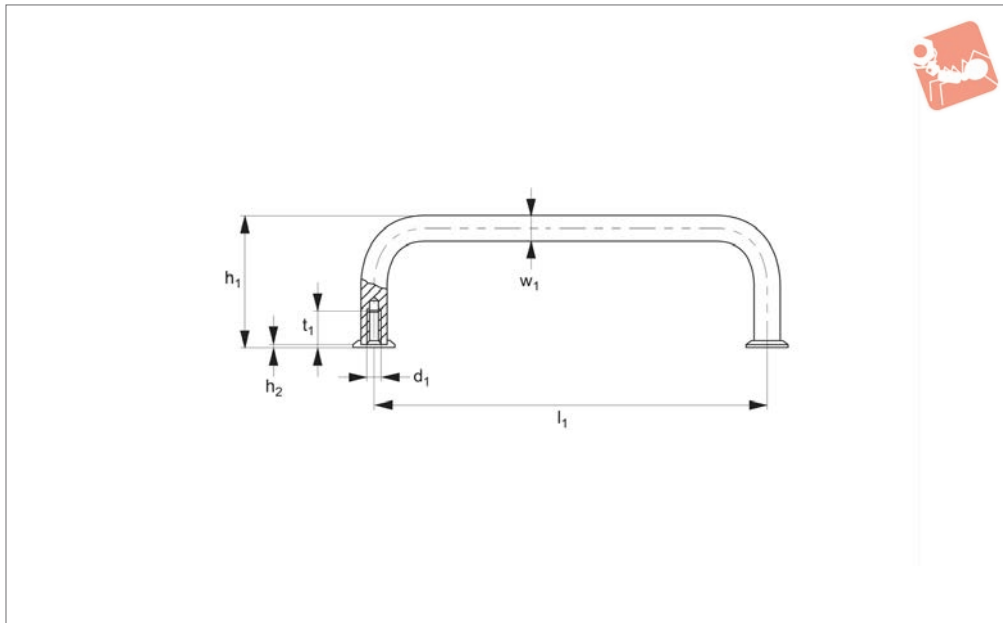
textured finish.

**Technical Notes**

These handles feature modern and ergo-

onomic styling for a sure and comfortable grip. Handle inclined 35°.

Order No.	Finish	$l_1$	$b_1$	$h_1$	$a$	$h_2$	$b_2$	$d$	$t$ min.	$h_3$	$R$	$h_4$ +1	Weight g
78040.W0004	Black	112	20	32	13	48	24	M_6	10	50	13	13.5	105
78040.W0006	Black	128	20	32	13	48	24	M_6	10	50	13	13.5	110
78040.W0008	Black	128	26	34	17	54	32	M_8	12	57	17	18.0	195
78040.W0018	Black	160	26	34	17	54	32	M_8	12	57	17	18.0	220
78040.W0104	Natural	112	20	32	13	48	24	M_6	10	50	13	13.5	99
78040.W0106	Natural	128	20	32	13	48	24	M_6	10	50	13	13.5	112
78040.W0108	Natural	128	26	34	17	54	32	M_8	12	57	17	18.0	190
78040.W0118	Natural	160	26	34	17	54	32	M_8	12	57	17	18.0	222



## 78050

PULL HANDLES

### Material

Round bar aluminium dia. 10mm. Al Mg Si 0,5.

Finish: anodized with matt finish in natural colour or black.

### Technical Notes

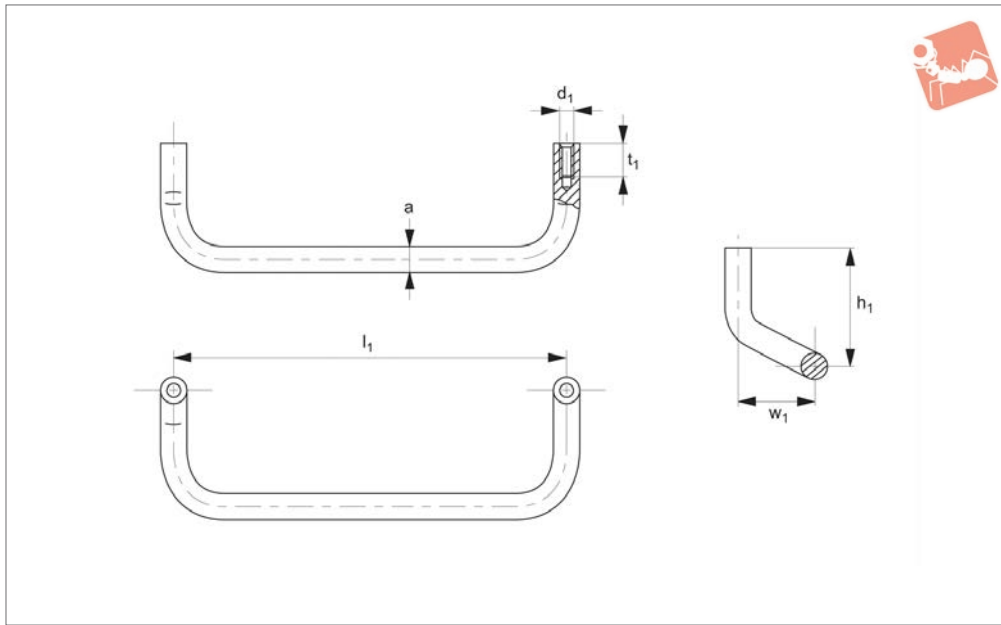
Minimum stress resistance 500N.

Order No.	Colour	$l_1$	$w_1$	$h_1$	$d_1$	$t_1$	$h_2$
78050.W0055-1	Natural	55	10	41	M 5	10	1
78050.W0055-4	Black	55	10	41	M 5	10	1
78050.W0088-1	Natural	88	10	41	M 5	10	1
78050.W0088-4	Black	88	10	41	M 5	10	1
78050.W0100-1	Natural	100	10	41	M 5	10	1
78050.W0100-4	Black	100	10	41	M 5	10	1
78050.W0120-1	Natural	120	10	41	M 5	10	1
78050.W0120-4	Black	120	10	41	M 5	10	1
78050.W0180-1	Natural	180	10	41	M 5	10	1
78050.W0180-4	Black	180	10	41	M 5	10	1
78050.W0200-1	Natural	200	10	41	M 5	10	1
78050.W0200-4	Black	200	10	41	M 5	10	1
78050.W0235-1	Natural	235	10	41	M 5	10	1
78050.W0235-4	Black	235	10	41	M 5	10	1
78050.W0250-1	Natural	250	10	41	M 5	10	1
78050.W0250-4	Black	250	10	41	M 5	10	1





# Pull Handles - Offset aluminium



**78070**

PULL HANDLES

**Material**

Round aluminium bar, Al Mg Si 0,5. Finish: vibration ground, and anodized with a matt

finish in natural or black colour.

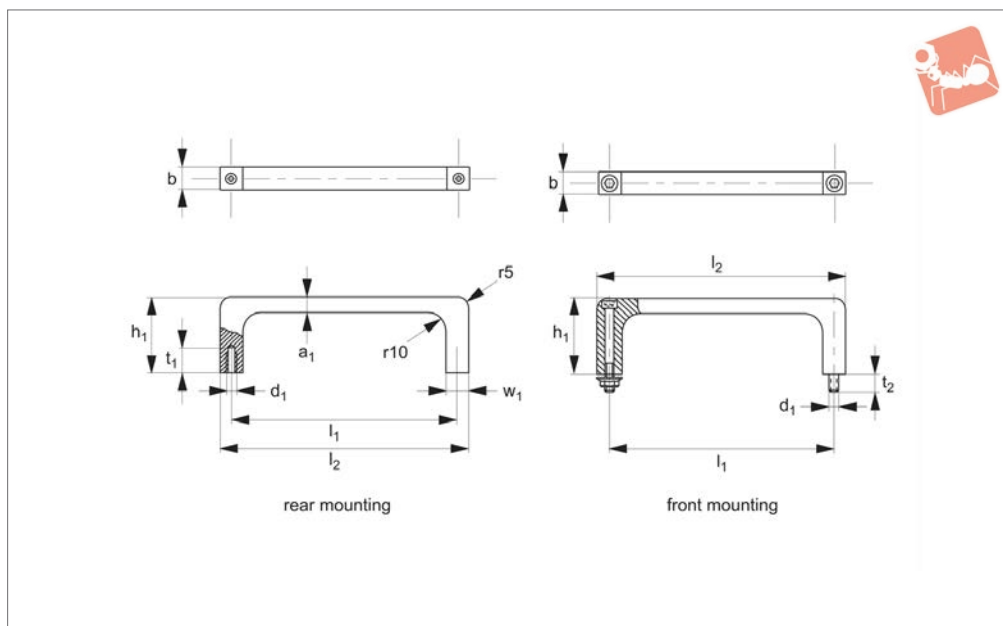
**Technical Notes**

Minimum stress resistance 500N.

Order No.	Finish	$l_1$	$w_1$	$h_1$	$d_1$	$t_1$	$a$
78070.W0086-1	Natural	86	30	40	M 5	10	10
78070.W0086-4	Black	86	30	40	M 5	10	10
78070.W0120-1	Natural	120	30	40	M 5	10	10
78070.W0120-4	Black	120	30	40	M 5	10	10
78070.W0180-1	Natural	180	30	40	M 5	10	10
78070.W0180-4	Black	180	30	40	M 5	10	10



## 78120



### Material

Profile aluminium Al Mg Si 0,5.  
Finish: vibration ground and anodized to a matt finish in natural or black colour.

Stainless steel hexagon screws to DIN 912, with self locking nuts, are supplied for front mounting type.

### Technical Notes

Minimum stress resistance 500N.

Order No.	Finish	Type	$l_1$	$w_1$	$b_1$	$h_1$	$d_1$	$l_2$	h height of front panel	$t_1$	Mounting type	$a_1$	$t_2$
78120.W0005-1	Natural	Rear Mounting	55.0	12	12	40	M 5	67.0	88.1	10	1	8	9
78120.W0008-1	Natural	Rear Mounting	88.0	12	12	40	M 5	100.	132.5	10	1	8	9
78120.W0012-1	Natural	Rear Mounting	120.0	12	12	40	M 5	132.0	177.0	10	1	8	9
78120.W0018-1	Natural	Rear Mounting	180.0	12	12	40	M 5	192.0	221.5	10	1	8	9
78120.W0023-1	Natural	Rear Mounting	235.0	12	12	40	M 5	247.0	266.0	10	1	8	9
78120.W0505-1	Natural	Rear Mounting	32.0	12	12	40	M 5	43.5	44.0	10	2	8	9
78120.W0508-1	Natural	Rear Mounting	75.5	12	12	40	M 5	87.5	88.1	10	2	8	9
78120.W0512-1	Natural	Rear Mounting	120.0	12	12	40	M 5	132.0	132.5	10	2	8	9
78120.W0523-1	Natural	Rear Mounting	253.5	12	12	40	M 5	265.5	266.0	10	2	8	9
78120.W0005-4	Black	Rear Mounting	55.0	12	12	40	M 5	67.0	88.1	10	1	8	9
78120.W0008-4	Black	Rear Mounting	88.0	12	12	40	M 5	100.0	132.5	10	1	8	9
78120.W0012-4	Black	Rear Mounting	120.0	12	12	40	M 5	132.0	177.0	10	1	8	9
78120.W0018-4	Black	Rear Mounting	180.0	12	12	40	M 5	192.0	221.5	10	1	8	9
78120.W0023-4	Black	Rear Mounting	235.0	12	12	40	M 5	247.0	266.0	10	1	8	9
78120.W0505-4	Black	Rear Mounting	32.0	12	12	40	M 5	43.5	44.0	10	2	8	9
78120.W0508-4	Black	Rear Mounting	75.5	12	12	40	M 5	87.5	88.1	10	2	8	9
78120.W0512-4	Black	Rear Mounting	120.0	12	12	40	M 5	132.0	132.5	10	2	8	9
78120.W0523-4	Black	Rear Mounting	253.5	12	12	40	M 5	265.5	266.0	10	2	8	9
78120.W0105-1	Natural	Front Mounting	55.0	12	12	40	M 5	67.0	88.1	10	1	8	9
78120.W0108-1	Natural	Front Mounting	88.0	12	12	40	M 5	100.	132.5	10	1	8	9
78120.W0112-1	Natural	Front Mounting	120.0	12	12	40	M 5	132.0	177.0	10	1	8	9
78120.W0118-1	Natural	Front Mounting	180.0	12	12	40	M 5	192.0	221.5	10	1	8	9
78120.W0123-1	Natural	Front Mounting	235.0	12	12	40	M 5	247.0	266.0	10	1	8	9
78120.W0605-1	Natural	Front Mounting	32.0	12	12	40	M 5	43.5	44.0	10	2	8	9
78120.W0608-1	Natural	Front Mounting	75.5	12	12	40	M 5	87.5	88.1	10	2	8	9
78120.W0612-1	Natural	Front Mounting	120.0	12	12	40	M 5	132.0	132.5	10	2	8	9
78120.W0623-1	Natural	Front Mounting	253.5	12	12	40	M 5	265.5	266.0	10	2	8	9
78120.W0105-4	Black	Front Mounting	55.0	12	12	40	M 5	67.0	88.1	10	1	8	9
78120.W0108-4	Black	Front Mounting	88.0	12	12	40	M 5	100.0	132.5	10	1	8	9
78120.W0112-4	Black	Front Mounting	120.0	12	12	40	M 5	132.0	177.0	10	1	8	9
78120.W0118-4	Black	Front Mounting	180.0	12	12	40	M 5	192.0	221.5	10	1	8	9
78120.W0123-4	Black	Front Mounting	235.0	12	12	40	M 5	247.0	266.0	10	1	8	9
78120.W0605-4	Black	Front Mounting	32.0	12	12	40	M 5	43.5	44.0	10	2	8	9
78120.W0608-4	Black	Front Mounting	75.5	12	12	40	M 5	87.5	88.1	10	2	8	9
78120.W0612-4	Black	Front Mounting	120.0	12	12	40	M 5	132.0	132.5	10	2	8	9



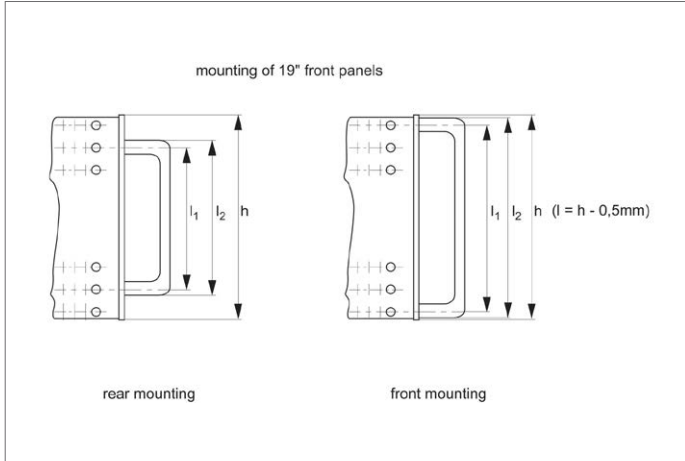
# Pull Handles - Aluminium

for 19" drawers and instrument panels



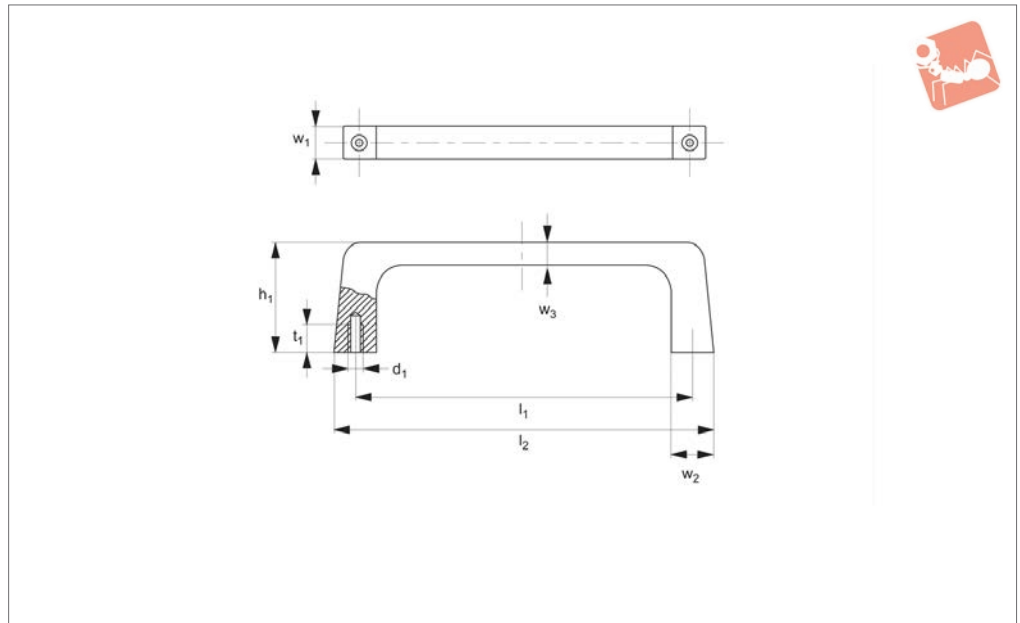
## Pull Handles

Order No.	Finish	Type	$l_1$	$w_1$	$b_1$	$h_1$	$d_1$	$l_2$	h height of front panel	$t_1$	Mounting type	$a_1$	$t_2$
<b>78120.W0623-4</b>	Black	Front Mounting	253.5	12	12	40	M 5	265.5	266.0	10	2	8	9





**78130**



**Material**

Cut profiled aluminium AIMgSi 0.5.  
Finish: anodized with a matt finish in

natural colour or black.

**Technical Notes**

Minimum stress resistance 500N.

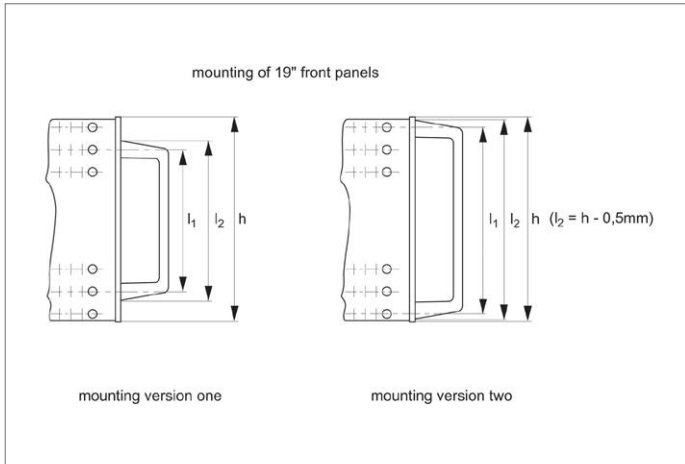
Order No.	Colour	$l_1$	$w_1$	$h_1$	$d_1$	$l_2$	$t_1$	$w_2$	$w_3$	Suitable mounting Version	Height of front panel h
78130.W0025-1	Natural	25.0	12	40	M 5	40.0	10	12	5	1	44.0
78130.W0025-4	Black	25.0	12	40	M 5	40.0	10	12	5	1	44.0
78130.W0055-1	Natural	55.0	12	40	M 5	69.0	10	12	8	1	88.1
78130.W0055-4	Black	55.0	12	40	M 5	69.0	10	12	8	1	88.1
78130.W0088-1	Natural	88.0	12	40	M 5	102.0	10	12	8	1	132.5
78130.W0088-4	Black	88.0	12	40	M 5	102.0	10	12	8	1	132.5
78130.W0120-1	Natural	120.0	12	40	M 5	134.0	10	12	8	1	177.0
78130.W0120-4	Black	120.0	12	40	M 5	134.0	10	12	8	1	177.0
78130.W0133-1	Natural	133.4	12	40	M 5	146.5	10	12	8	-	-
78130.W0133-4	Black	133.4	12	40	M 5	146.5	10	12	8	-	-
78130.W0177-1	Natural	177.8	12	40	M 5	191.0	10	12	8	-	-
78130.W0177-4	Black	177.8	12	40	M 5	191.0	10	12	8	-	-
78130.W0180-1	Natural	180.0	12	40	M 5	194.0	10	12	8	1	221.5
78130.W0180-4	Black	180.0	12	40	M 5	194.0	10	12	8	1	221.5
78130.W0235-1	Natural	235.0	12	40	M 5	249.0	10	12	8	1	266.0
78130.W0235-4	Black	235.0	12	40	M 5	249.0	10	12	8	1	266.0
78130.W0251-1	Natural	251.5	12	40	M 5	265.5	10	12	8	2	266.0
78130.W0251-4	Black	251.5	12	40	M 5	265.5	10	12	8	2	266.0
78130.W0588-1	Natural	88.0	12	46	M 5	102.0	10	12	8	1	132.5
78130.W0588-4	Black	88.0	12	46	M 5	102.0	10	12	8	1	132.5
78130.W0620-1	Natural	120.0	12	46	M 5	132.0	10	12	8	2	132.5
78130.W0620-4	Black	120.0	12	46	M 5	132.0	10	12	8	2	132.5





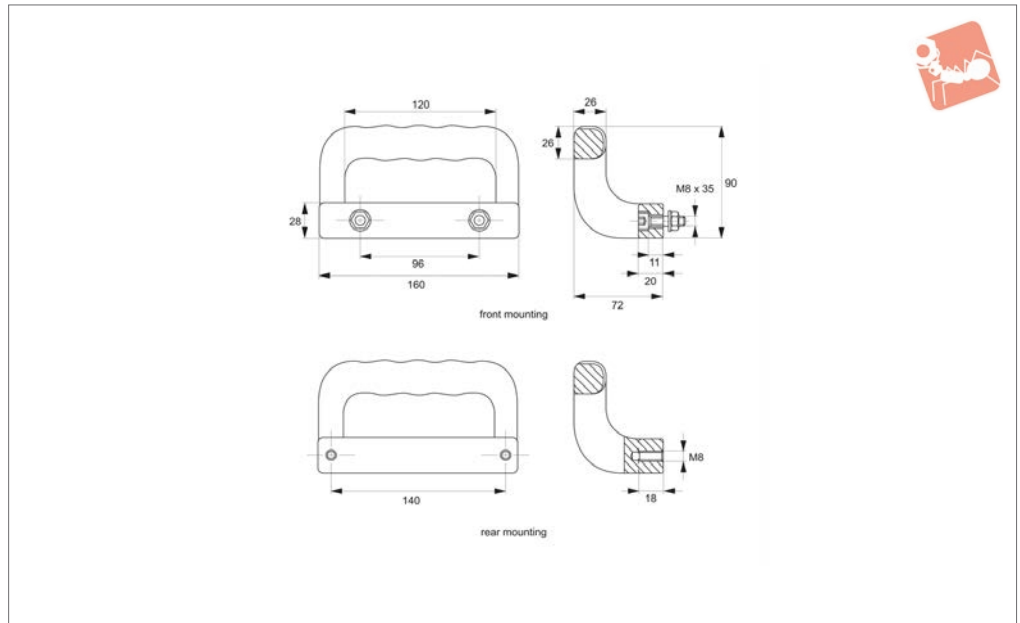
# Pull Handles - Aluminium

for 19" drawers and instrument panels





**78180**



**Material**

Die cast aluminium AlSiCu 12.  
Finish: vibration ground and black powder coated, semi-matt.

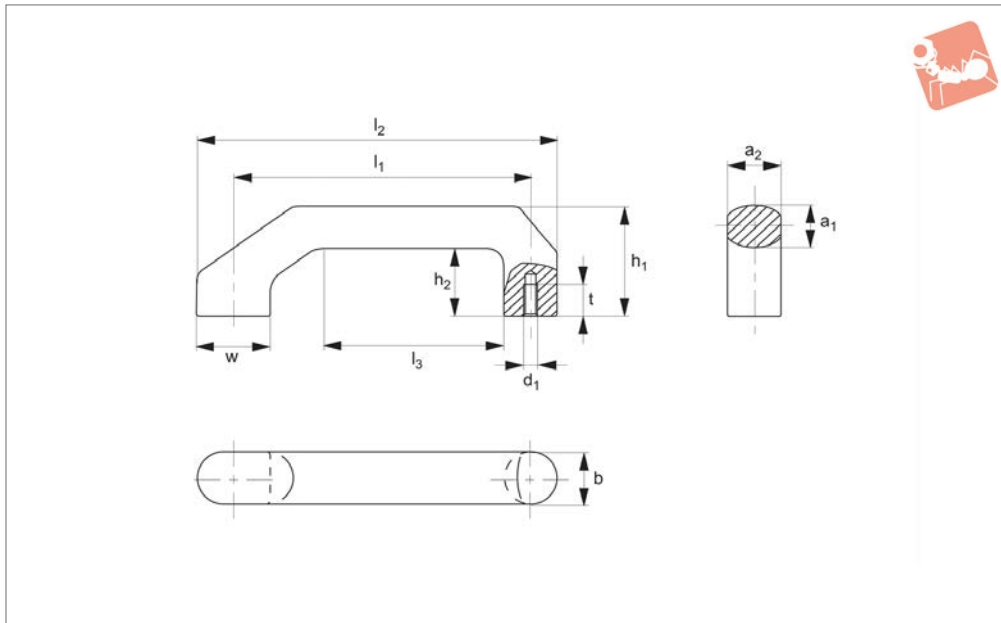
**Technical Notes**

Front mounting version comes with stainless steel hexagon socket head cap screw DIN M 8x35, nuts DIN 934 and washers

DIN125.

Stress resistance: 1000N.

Order No.	Type
78180.W0096	Front Mounting
78180.W0140	Rear Mounting



78200

PULL HANDLES

**Material**

Die cast aluminium AlMg3.

Finish: vibration ground, raw or black

powder coated, semi-matt.

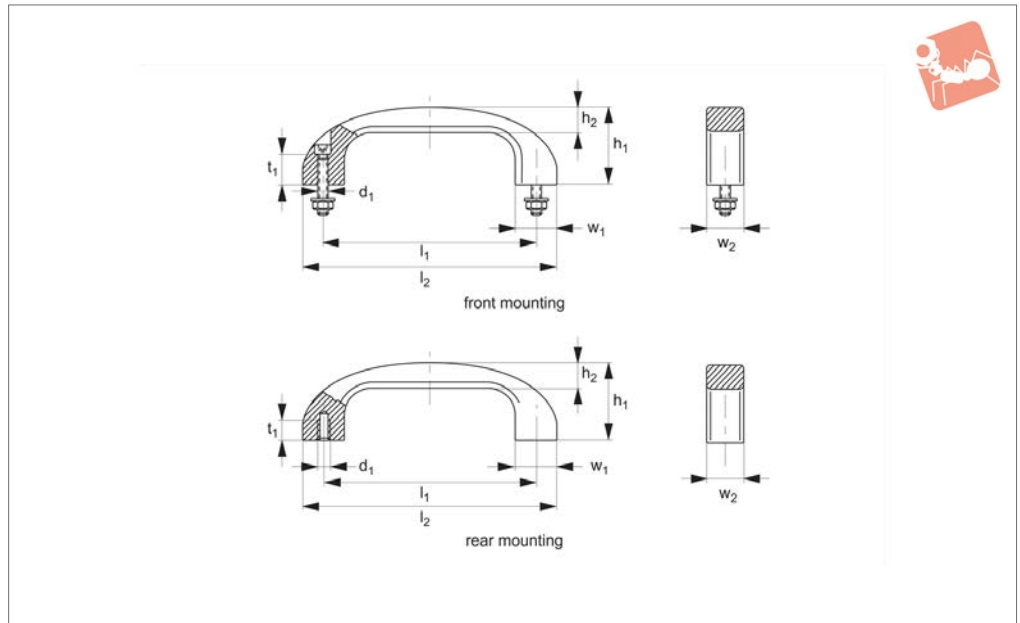
**Technical Notes**

Stress resistance: min. 500N.

Order No.	Finish	$l_1$	$h_1$	$d_1$	$l_2$	$h_2$	$l_3$	$t$	$a_1$	$a_2$	$w$	$b$
78200.W0140-1	Natural	140	52	M 6	170	32	89	15	20	25	35	25
78200.W0140-4	Black	140	52	M 6	170	32	89	15	20	25	35	25



### 78210



#### Material

Aluminium section AlMgSi 0.5. Finish: anodized in a special quality glass ball blasted, satin finish.

#### Technical Notes

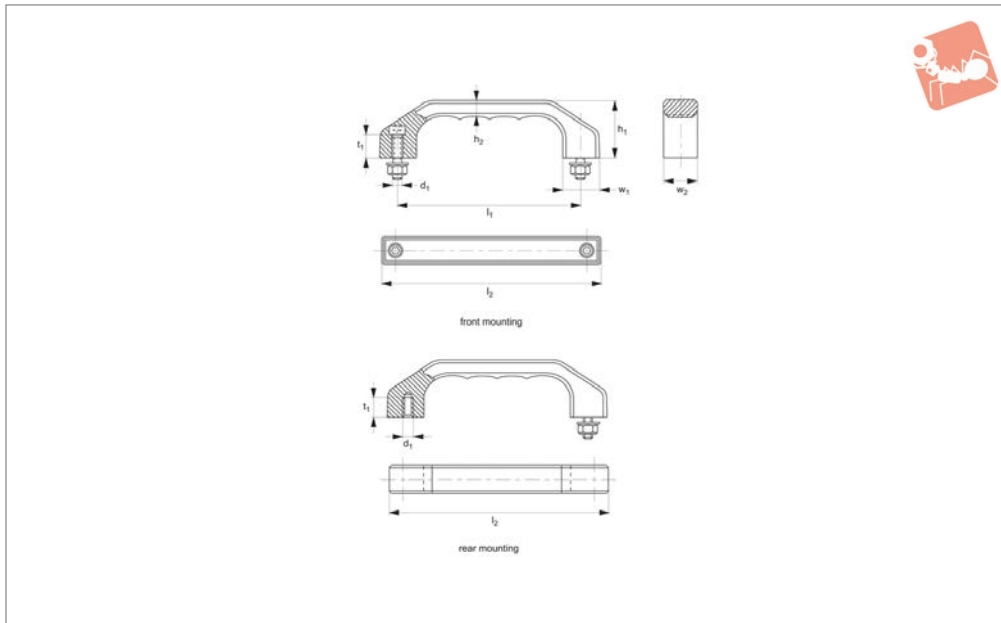
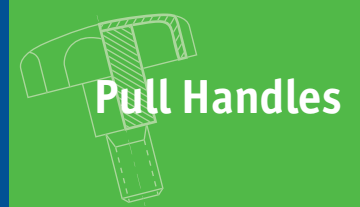
Minimum stress resistance <1000N.  
Front mounted version supplied with cheese head screws (with hex socket) DIN

912, nuts DIN 934 and washer DIN125 - made of made os stainless steel.

Order No.	Colour	Type	$l_1$	$w_1$	$h_1$	$d_1$	$l_2$	$t_1$	$h_2$	$w_2$
78210.W0120-1	Natural	Rear Mounting	120	24	46	M 6	144	12	15	22
78210.W0120-4	Black	Rear Mounting	120	24	46	M 6	144	12	15	22
78210.W0140-1	Natural	Rear Mounting	140	28	53	M 8	168	12	17	25
78210.W0140-4	Black	Rear Mounting	140	28	53	M 8	168	12	17	25
78210.W0220-1	Natural	Front Mounting	120	24	46	M 6x25	144	15	15	22
78210.W0220-4	Black	Front Mounting	120	24	46	M 6x25	144	15	15	22
78210.W0240-1	Natural	Front Mounting	140	28	53	M 8x30	168	15	17	25
78210.W0240-4	Black	Front Mounting	140	28	53	M 8x30	168	15	17	25



# Pull Handles - Grip type aluminium



**78240**

PULL HANDLES

### Material

Aluminium section AlMgSi 0.5. Finish: anodized in a special quality, glass ball blasted, satin finish. RHL 9002, grey,

white.

design. Minimum stress resistance >1000N.

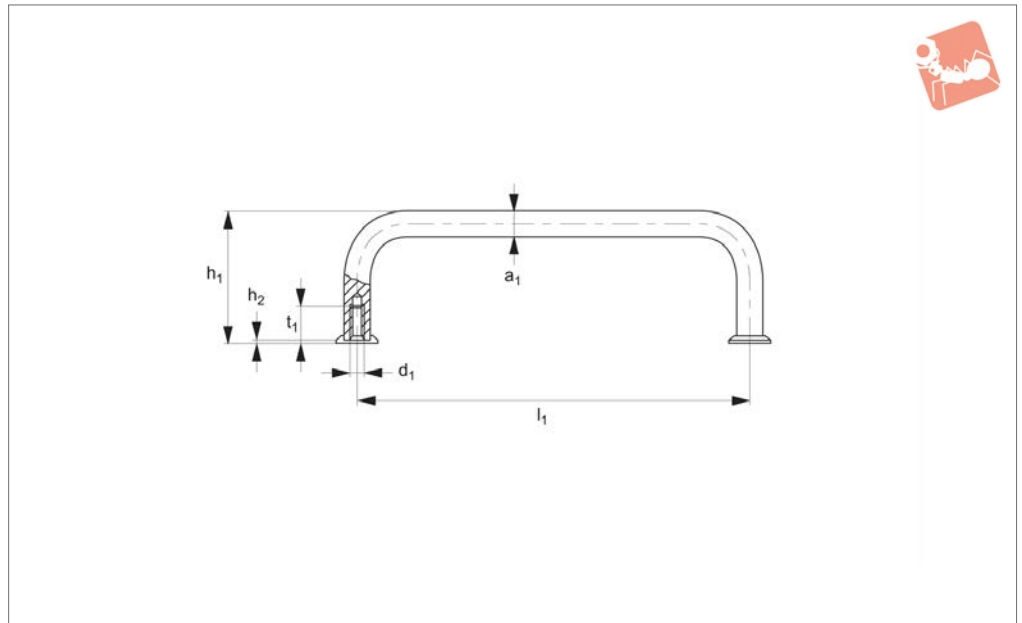
### Technical Notes

Solid aluminium handles in industrial

Order No.	Colour	Type	$l_1$	$w_1$	$h_1$	$d_1$	$l_2$	$t_1$	$h_2$	$w_2$
78240.W0120-1	Natural	Rear Mounting	120	24	39	M 6	146	12	10.5	22
78240.W0120-4	Black	Rear Mounting	120	24	39	M 6	146	12	10.5	22
78240.W0140-1	Natural	Rear Mounting	140	28	45	M 8	170	15	12.0	25
78240.W0140-4	Black	Rear Mounting	140	28	45	M 8	170	15	12.0	25
78240.W0160-1	Natural	Rear Mounting	160	32	52	M 8	194	15	13.5	28
78240.W0160-4	Black	Rear Mounting	160	32	52	M 8	194	15	13.5	28
78240.W0220-1	Natural	Front Mounting	120	24	39	M 6	146	12	10.5	22
78240.W0220-4	Black	Front Mounting	120	24	39	M 6	146	12	10.5	22
78240.W0240-1	Natural	Front Mounting	140	28	45	M 8	170	15	12.0	25
78240.W0240-4	Black	Front Mounting	140	28	45	M 8	170	15	12.0	25
78240.W0260-1	Natural	Front Mounting	160	32	52	M 8	194	15	13.5	28
78240.W0260-4	Black	Front Mounting	160	32	52	M 8	194	15	13.5	28



**78700**



**Material**

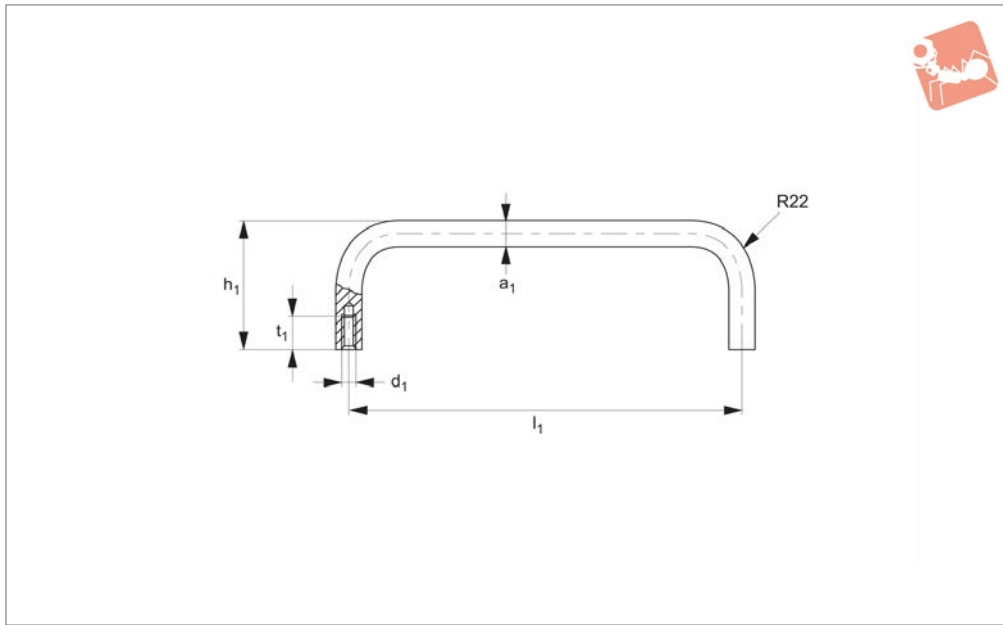
Round steel bar.  
Finish: precision ground and high gloss

chromium plated surface. Chromium coloured brass cover washers included.

**Technical Notes**

Minimum stress resistance 1000N.

Order No.	$l_1$	$\varnothing a_1$	$d_1$	$h_1$	$h_2$	$t_1$
78700.W0003	32	5	M 3	21	1	6
78700.W0004	42	5	M 3	25	1	6
78700.W0005	55	5	M 3	25	1	6
78700.W0007	76	5	M 3	25	1	6
78700.W0008	88	5	M 3	25	1	6
78700.W0103	32	8	M 4	33	1	8
78700.W0105	55	8	M 4	33	1	8
78700.W0106	64	8	M 4	33	1	8
78700.W0108	88	8	M 4	33	1	8
78700.W0109	96	8	M 4	33	1	8
78700.W0110	102	8	M 4	33	1	8
78700.W0112	120	8	M 4	33	1	8
78700.W0113	128	8	M 4	33	1	8
78700.W0114	136	8	M 4	33	1	8
78700.W0505	55	10	M 5	41	1	10
78700.W0508	88	10	M 5	41	1	10
78700.W0509	100	10	M 5	41	1	10
78700.W0510	102	10	M 5	41	1	10
78700.W0511	115	10	M 5	41	1	10
78700.W0512	120	10	M 5	41	1	10
78700.W0514	136	10	M 5	41	1	10
78700.W0518	180	10	M 5	41	1	10
78700.W0520	200	10	M 5	41	1	10
78700.W0523	235	10	M 5	41	1	10
78700.W0525	250	10	M 5	41	1	10



78720

PULL HANDLES

**Material**

Round steel bar  $\varnothing 20\text{mm}$ .

Finish: ground, brushed matt chromium

plated or black powder coated.

**Technical Notes**

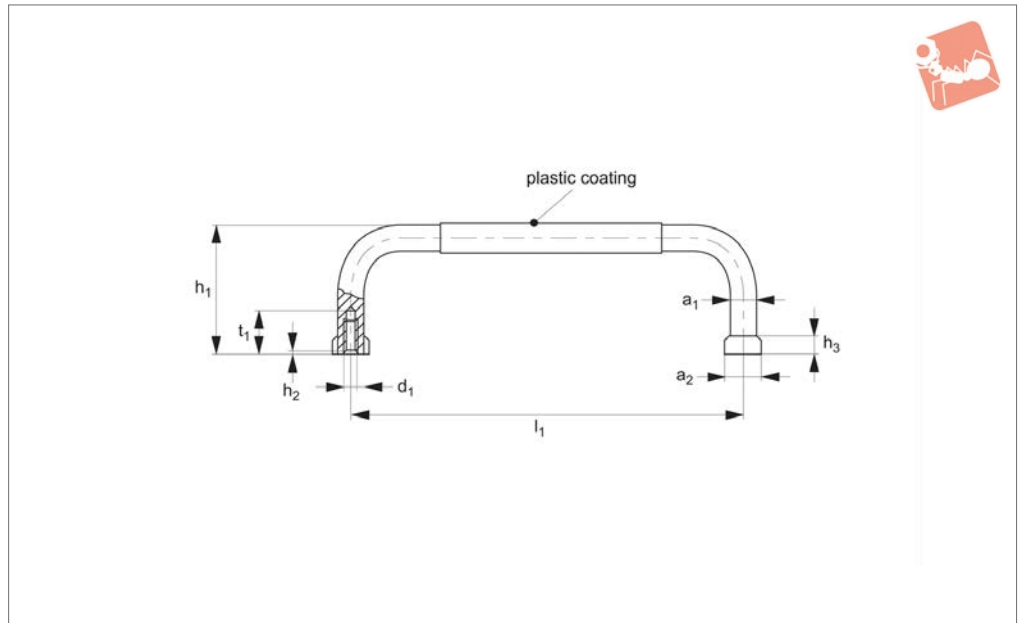
Minimum stress resistance >1000N.

Order No.	Finish	$l_1$	$a_1$	$d_1$	$h_1$	$t_1$
78720.W0200-1	Matte Chromium Plated	200	20	M 8	70	15
78720.W0250-1	Matte Chromium Plated	250	20	M 8	70	15
78720.W0300-1	Matte Chromium Plated	300	20	M 8	70	15
78720.W0350-1	Matte Chromium Plated	350	20	M 8	70	15
78720.W0400-1	Matte Chromium Plated	400	20	M 8	70	15
78720.W0200-4	Black Powder Coated	200	20	M 8	70	15
78720.W0250-4	Black Powder Coated	250	20	M 8	70	15
78720.W0300-4	Black Powder Coated	300	20	M 8	70	15
78720.W0350-4	Black Powder Coated	350	20	M 8	70	15
78720.W0400-4	Black Powder Coated	400	20	M 8	70	15





**78740**



**Material**

Round steel bar.

Finish: precision ground and matt gloss chromium plated surface, handle arms with smooth plastic covering. High quality

handles for front panels and similar applications.

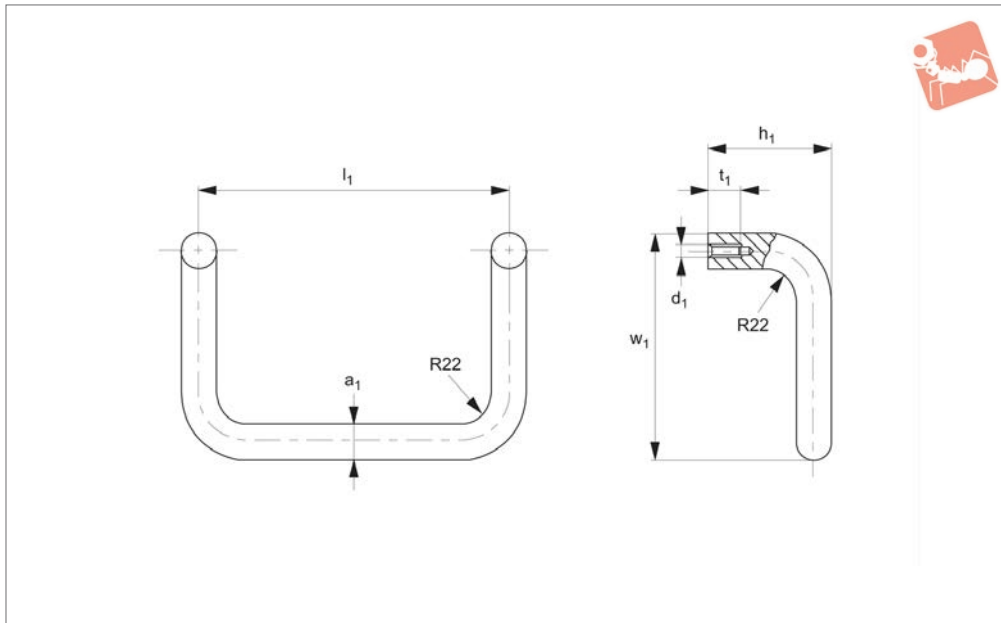
**Technical Notes**

Matte gloss chromium plated brass end

bushes included. Minimum stress resistance 1000N.

Order No.	$l_1$	$a_1$	$a_2$	$d_1$	$h_1$	$h_2$	$h_3$	$t_1$
78740.W0005	55	10	14	M 5	41	1	8	10
78740.W0088	88	10	14	M 5	41	1	8	10
78740.W0100	100	10	14	M 5	41	1	8	10
78740.W0102	102	10	14	M 5	41	1	8	10
78740.W0115	115	10	14	M 5	41	1	8	10
78740.W0120	120	10	14	M 5	41	1	8	10
78740.W0136	136	10	14	M 5	41	1	8	10
78740.W0180	180	10	14	M 5	41	1	8	10
78740.W0200	200	10	14	M 5	41	1	8	10
78740.W0235	235	10	14	M 5	41	1	8	10
78740.W0250	250	10	14	M 5	41	1	8	10





**78760**

PULL HANDLES

**Material**

Round bar steel, Ø20mm.  
Finish: ground, brushed matt chromium plated or black powder coated with fine

structure.

**Technical Notes**

Minimum stress resistance >1000N.

Handles with other bore clearances are available on request.

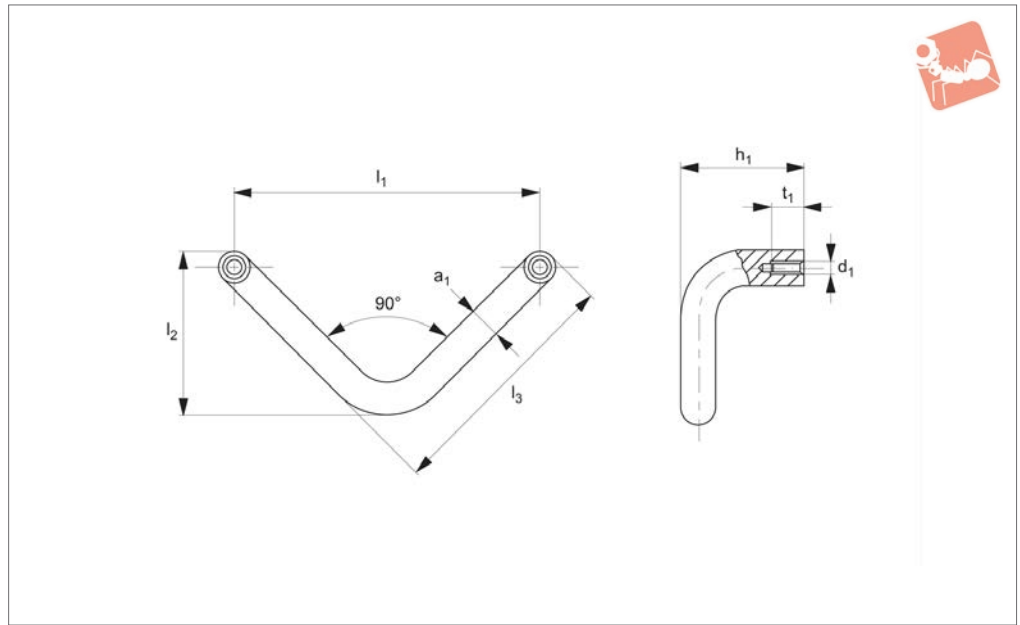
Order No.	Finish	$l_1$	$a_1$	$d_1$	$h_1$	$t_1$	$w_1$
<b>78760.W0200-1</b>	Matte Chromium Plated	200	20	M 8	70	15	130
<b>78760.W0200-4</b>	Black Powder Coated	200	20	M 8	70	15	130
<b>78760.W0350-1</b>	Matte Chromium Plated	350	20	M 8	70	15	130
<b>78760.W0350-4</b>	Black Powder Coated	350	20	M 8	70	15	130



PULL HANDLES



78770



**Material**

Round steel bar.  
Finish: polished and bright chromium-

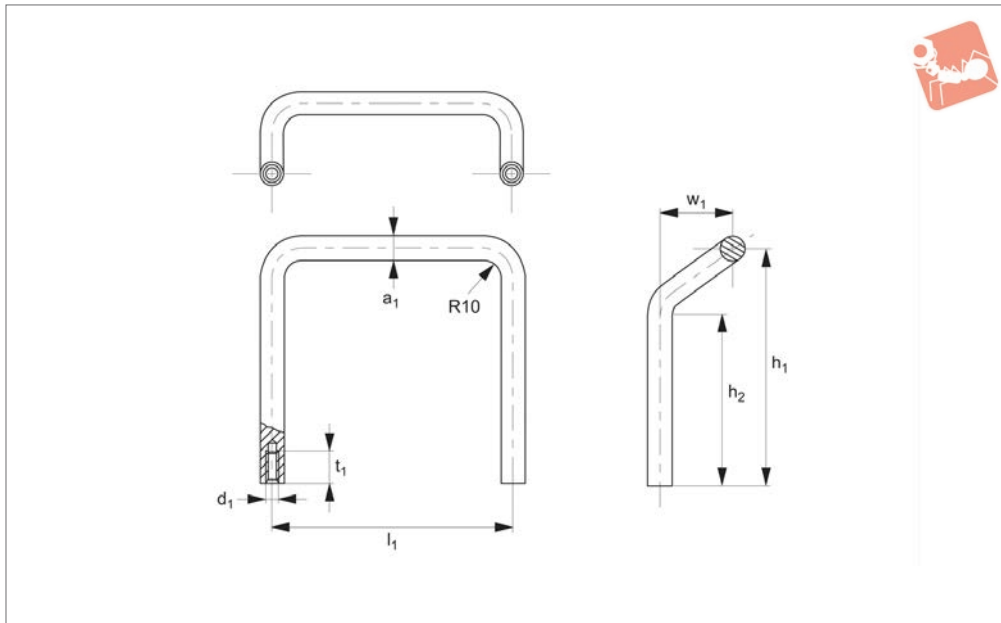
plated surface finish.

resistance 500N.

**Technical Notes**

Concentric threaded hole. Minimum stress

Order No.	$l_1$	$a_1$	$d_1$	$h_1$	$l_2$	$l_3$	$t_1$
78770.W0075	75	8	M_4	32	41	61	8
78770.W0090	90	10	M_5	40	49	73	10



**78780**

PULL HANDLES

**Material**

Round bar steel, 12mm.  
Finish: precision-ground and chromium-

plated mirror finish.

tional sizes or surface versions on request.

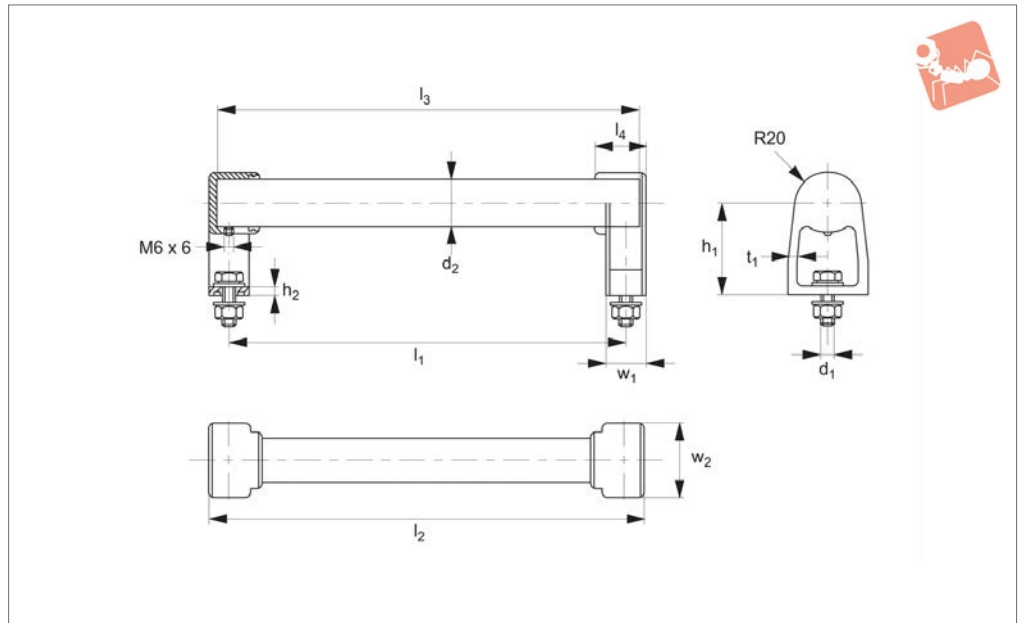
**Technical Notes**

Minimum stress resistance 1000N. Addi-

Order No.	$l_1$	$a_1$	$d_1$	$h_1$	$h_2$	$t_1$	$w_1$
78780.W0060	120	12	M 8	60	27	15	35
78780.W0120	120	12	M 8	120	87	15	35



**78800**



### Material

Handle shank: cast stainless steel, G-X7 CrNiMoNb 18 10. Glass blasted, satin matt finish.

Connecting tube: stainless steel, X5 CrNi189, 1.4301. Ground and blasted.

Packing ring: food quality silicon rubber.

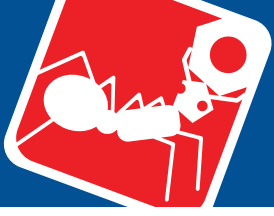
### Technical Notes

Standard mounting type (front or rear): with hex screws to DIN 933, M 8x25, washers & nuts.

Safety mounting type (rear only): with bolts to DIN603, M8x25, washers & nuts. Long term temperature resistance -60°C to + 200°C. Minimum stress resistance >1000N.

Ideal for use in food industry applications.

Order No.	Mounting type	$l_1$	$l_2$	$l_3$	$l_4$	$d_1$	$d_2$ dia.	$h_1$	$h_2$	$t_1$	$w_1$	$w_2$
<b>78800.W0200</b>	Standard	200	225	215	32	M 8x25	30x1,5	60	5	5	25	48
<b>78800.W0210</b>	Safety	200	225	215	32	M 8x25	30x1,5	60	5	5	25	48
<b>78800.W0250</b>	Standard	250	275	265	32	M 8x25	30x1,5	60	5	5	25	48
<b>78800.W0260</b>	Safety	250	275	265	32	M 8x25	30x1,5	60	5	5	25	48
<b>78800.W0300</b>	Standard	300	325	315	32	M 8x25	30x1,5	60	5	5	25	48
<b>78800.W0310</b>	Safety	300	325	315	32	M 8x25	30x1,5	60	5	5	25	48
<b>78800.W0350</b>	Standard	350	375	365	32	M 8x25	30x1,5	60	5	5	25	48
<b>78800.W0360</b>	Safety	350	375	365	32	M 8x25	30x1,5	60	5	5	25	48
<b>78800.W0400</b>	Standard	400	425	415	32	M 8x25	30x1,5	60	5	5	25	48
<b>78800.W0410</b>	Safety	400	425	415	32	M 8x25	30x1,5	60	5	5	25	48
<b>78800.W0500</b>	Standard	500	525	515	32	M 8x25	30x1,5	60	5	5	25	48
<b>78800.W0510</b>	Safety	500	525	515	32	M 8x25	30x1,5	60	5	5	25	48
<b>78800.W0600</b>	Standard	600	625	615	32	M 8x25	30x1,5	60	5	5	25	48
<b>78800.W0610</b>	Safety	600	625	615	32	M 8x25	30x1,5	60	5	5	25	48



# Pull Handles

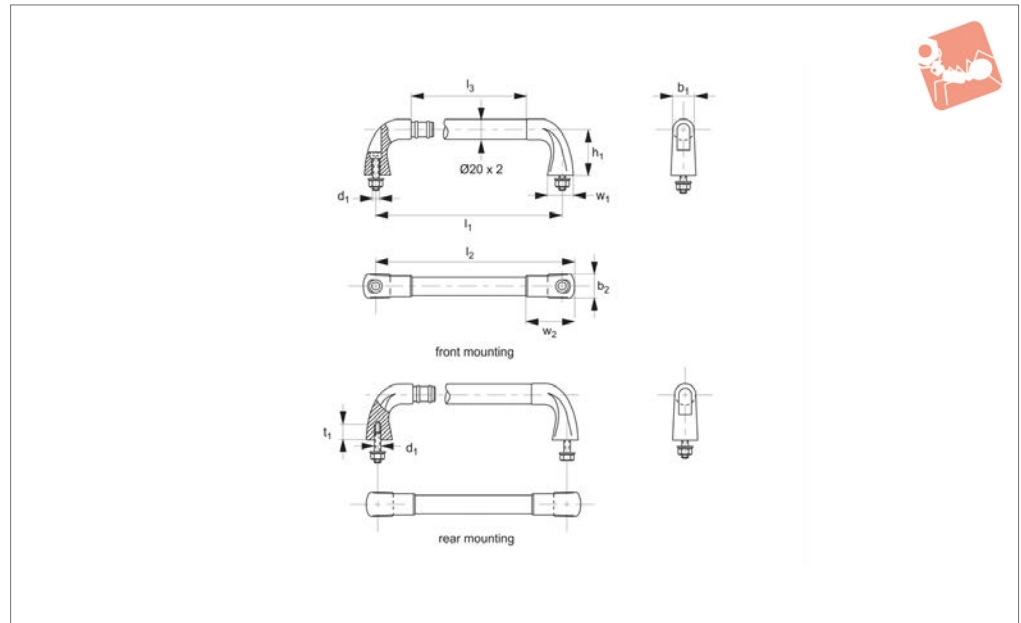
stainless steel



PULL HANDLES



## 78820



### Material

Handle shank: cast stainless steel, Gx7 CrNiMoNb 18 10, abrasive blasted and electro-polished, dull bright finish.  
 Connecting tube: stainless steel x5 CrNi 189, 1.4301. Precision ground or grooved plastic coating.

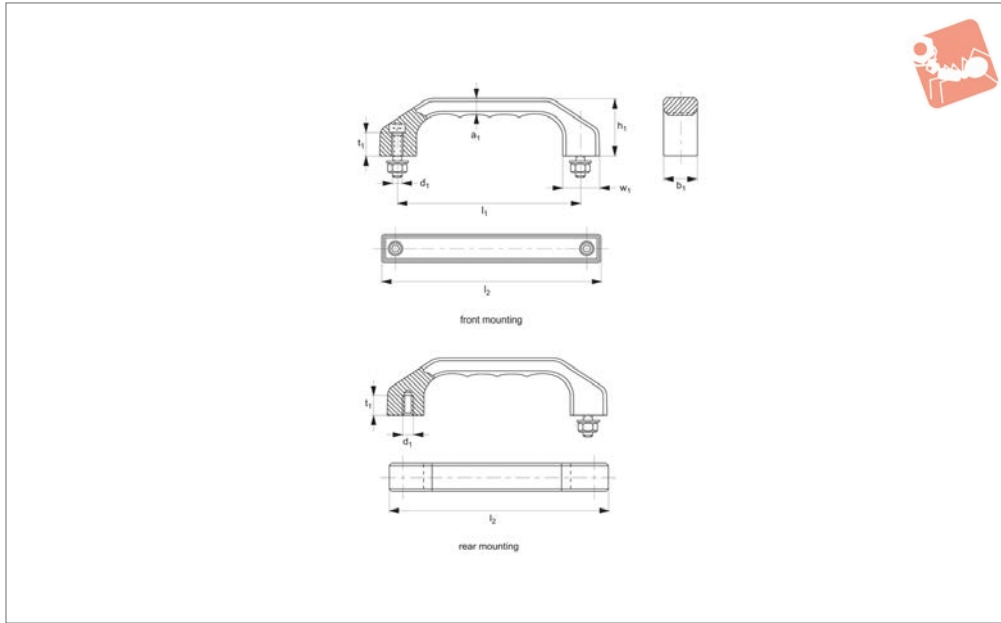
Connection tubes finish grounded and brushed. Handle shanks glass blasted and electro polished with half matte finish.

to DIN 912, M 8x35 and suitable washer and nut. Rear Mounting: supplied with hex screws to DIN 913 and suitable washer. Minimum stress resistance >1000N.

### Technical Notes

Front mounting: supplied with hex screws

Order No.	Tube finish	Type	$l_1$	$l_2$	$l_3$	$b_1$	$b_2$	$d_1$	$h_1$	$t_1$	$w_1$	$w_2$
78820.W0020	Natural	Front Mount	200	226	120	22	26	M 8 x 35	50	-	29	53
78820.W0025	Natural	Front Mount	250	276	170	22	26	M 8 x 35	50	-	29	53
78820.W0030	Natural	Front Mount	300	326	220	22	26	M 8 x 35	50	-	29	53
78820.W0035	Natural	Front Mount	350	376	270	22	26	M 8 x 35	50	-	29	53
78820.W0040	Natural	Front Mount	400	426	320	22	26	M 8 x 35	50	-	29	53
78820.W0120	Plastic Covered	Front Mount	200	226	120	22	26	M 8 x 35	50	-	29	53
78820.W0125	Plastic Covered	Front Mount	250	276	170	22	26	M 8 x 35	50	-	29	53
78820.W0130	Plastic Covered	Front Mount	300	326	220	22	26	M 8 x 35	50	-	29	53
78820.W0135	Plastic Covered	Front Mount	350	376	270	22	26	M 8 x 35	50	-	29	53
78820.W0140	Plastic Covered	Front Mount	400	426	320	22	26	M 8 x 35	50	-	29	53
78820.W0520	Natural	Rear Mount	200	226	120	22	26	M 8 x 20	50	16	29	53
78820.W0525	Natural	Rear Mount	250	276	170	22	26	M 8 x 20	50	16	29	53
78820.W0530	Natural	Rear Mount	300	326	220	22	26	M 8 x 20	50	16	29	53
78820.W0535	Natural	Rear Mount	350	376	270	22	26	M 8 x 20	50	16	29	53
78820.W0540	Natural	Rear Mount	400	426	320	22	26	M 8 x 20	50	16	29	53
78820.W0620	Plastic Covered	Rear Mount	200	226	120	22	26	M 8 x 20	50	16	29	53
78820.W0625	Plastic Covered	Rear Mount	250	276	170	22	26	M 8 x 20	50	16	29	53
78820.W0630	Plastic Covered	Rear Mount	300	326	220	22	26	M 8 x 20	50	16	29	53
78820.W0635	Plastic Covered	Rear Mount	350	376	270	22	26	M 8 x 20	50	16	29	53
78820.W0640	Plastic Covered	Rear Mount	400	426	320	22	26	M 8 x 20	50	16	29	53



**78830**

PULL HANDLES

**Material**

Stainless steel (304) precision casting (G X6 CrNi 18 9, material no. G4308). Finish: blasted and electropolished with a semi-

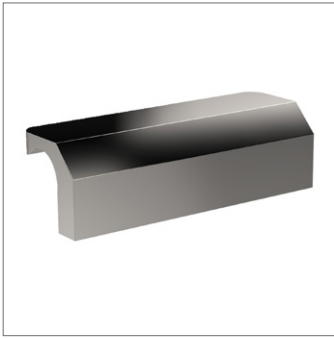
matt finish.

**Technical Notes**

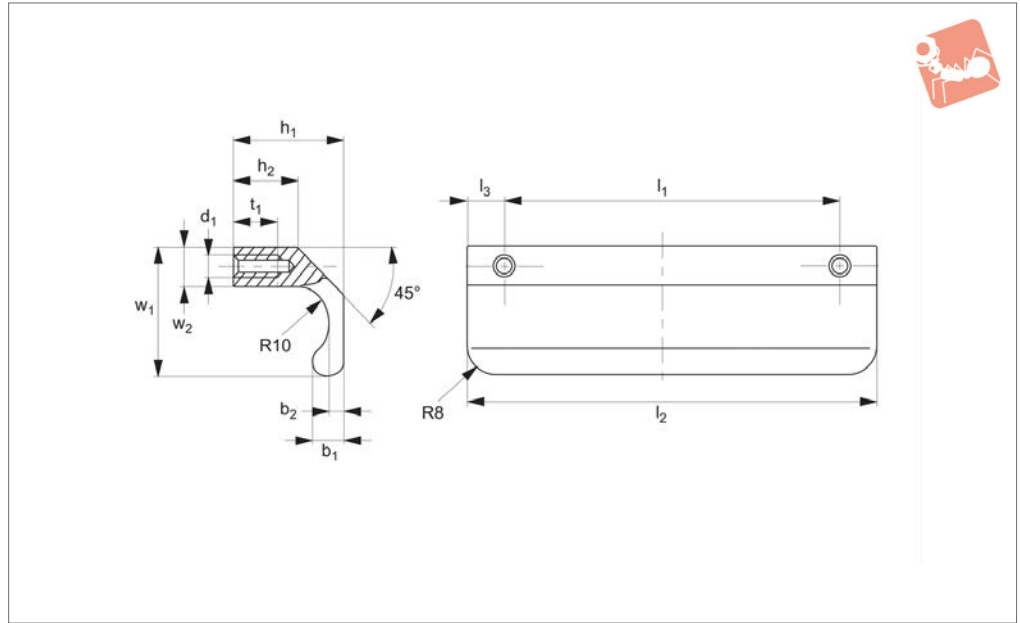
Front mounting: supplied with hex screws

to DIN 912, and suitable washer and nut. Rear Mounting: supplied with hex head screws to DIN 933 and suitable washer. Minimum stress resistance >1000N.

Order No.	Type	$l_1$	$l_2$	$a_1$	$b_1$	$d_1$	$h_1$	$t_1$	$w_1$
<b>78830.W0140</b>	Front Mounting	140	170	12	25	M_8x30	45	15	28
<b>78830.W0180</b>	Front Mounting	180	218	15	32	M10x40	58	18	36
<b>78830.W0540</b>	Rear Mounting	140	170	12	25	M_8x18	45	15	28
<b>78830.W0580</b>	Rear Mounting	180	218	15	32	M10x20	58	18	36



**78850**



PULL HANDLES

**Material**

Profiled stainless steel 316 (X2 CrNiMo 17 13 2, material no. 1.4404). Finish: blasted and electropolished with a semi-matt

finish.

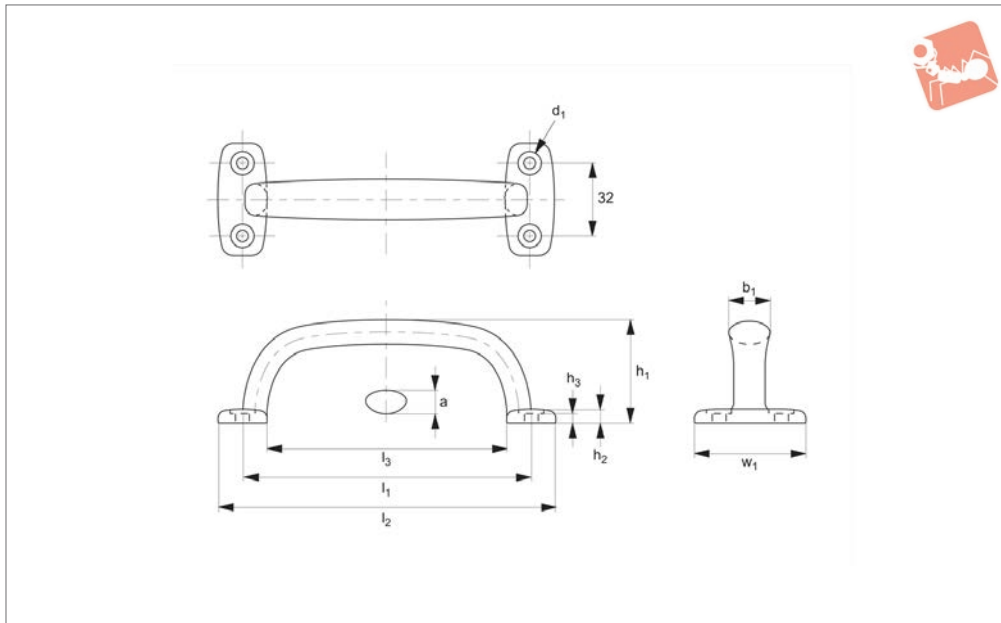
**Technical Notes**

Minimum stress resistance 500N.

Any other handle lengths available on request.

Order No.	$l_1$	$l_2$	$b_1$	$b_2$	$d_1$	$h_1$	$h_2$	$t_1$	$w_1$	$w_2$
<b>78850.W0060</b>	60	80	8	4	M 6	30	20	12	35	10
<b>78850.W0080</b>	80	100	8	4	M 6	30	20	12	35	10
<b>78850.W0100</b>	100	120	8	4	M 6	30	20	12	35	10
<b>78850.W0130</b>	130	150	8	4	M 6	30	20	12	35	10





**78890**

PULL HANDLES

**Material**

AISI 316 stainless steel, mirror finish.

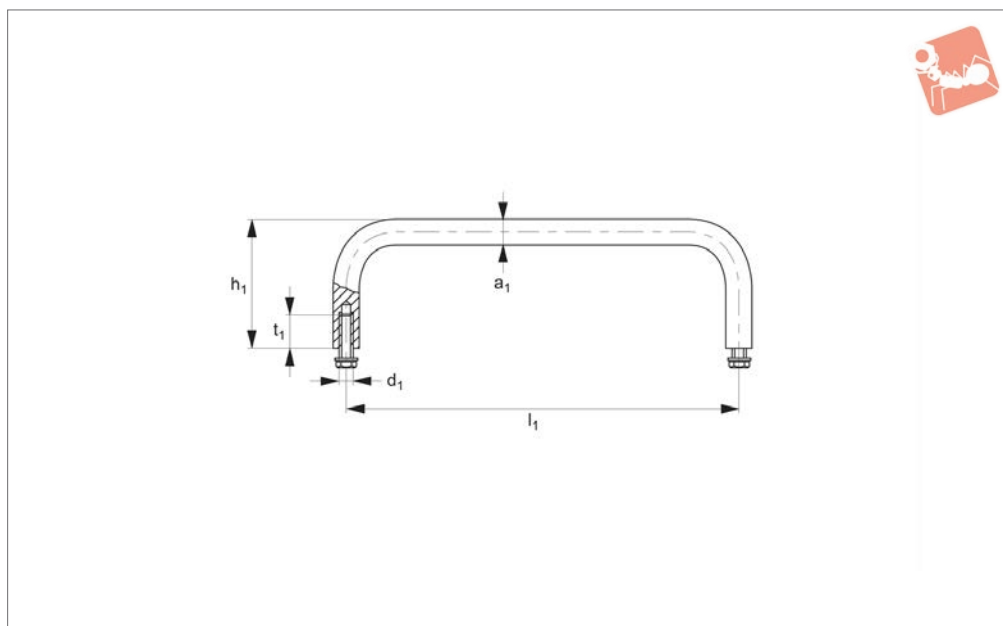
**Technical Notes**

Supplied with stainless steel screws. Ideal for harsh and high corrosive environments.

Order No.	$l_1$	$l_2$	$l_3$	$a$	$b_1$	$d_1$	$h_1$	$h_2$	$h_3$	$w_1$	Weight g
<b>78890.W0064</b>	64	82	46	8	16	4-Ø5, 4-Ø9,5	36.5	5.5	4.0	48	110
<b>78890.W0096</b>	96	114	78	9	16	4-Ø5, 4-Ø9,5	40.0	6.0	4.5	48	148
<b>78890.W0128</b>	128	150	106	10	18	4-Ø6, 4-Ø11,0	45.0	6.0	4.5	50	210
<b>78890.W0160</b>	160	180	140	10	20	4-Ø6, 4-Ø11,0	48.0	6.5	5.0	50	270



**78900**



**Material**

Stainless steel rod X12 CrNiS 18 8, 1.4305 (AISI 303). Finish: matt gloss.

**Tips**

For medical technology, laboratory instruments with high chemical resistance.

**Technical Notes**

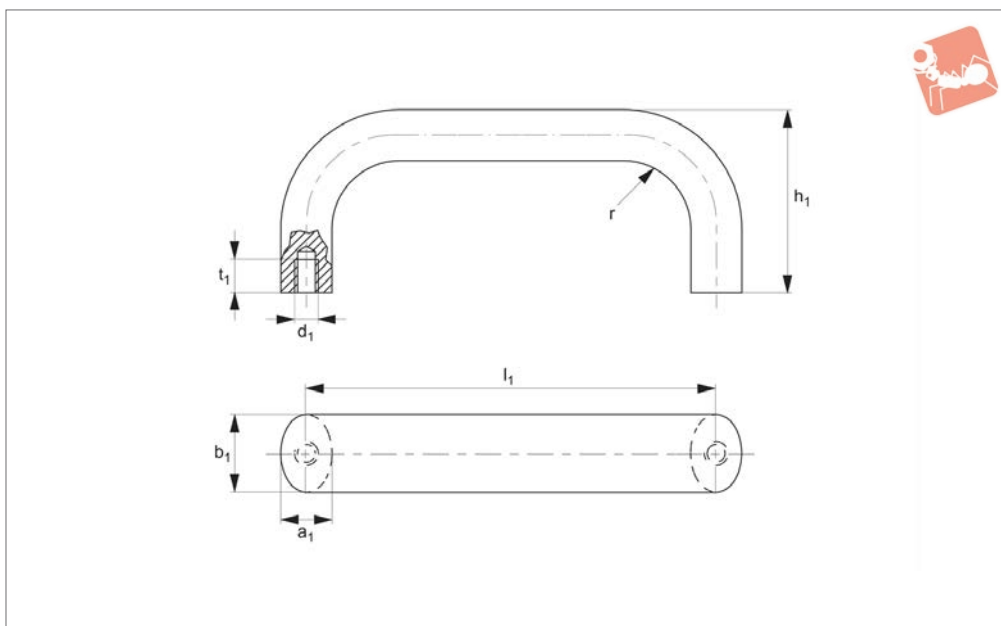
Minimum stress resistance 1000N.

Order No.	$\varnothing a_1$	$l_1$	$d_1$	$h_1$	$t_1$
78900.W0064	8	64	M 5x10	35	10
78900.W0088	8	88	M 5x10	35	10
78900.W0100	8	100	M 5x10	35	10
78900.W0120	10	120	M 5x10	40	10
78900.W0180	10	180	M 5x10	40	10
78900.W0250	10	250	M 5x10	40	10
78900.W0350	10	350	M 5x10	40	10
78900.W0400	15	150	M 6x16	55	12
78900.W0410	15	200	M 6x16	55	12
78900.W0420	15	250	M 6x16	55	12
78900.W0430	15	300	M 6x16	55	12
78900.W0440	15	350	M 6x16	55	12



# Pull Handles - Oval Type

stainless steel



**78910**

PULL HANDLES

### Material

Stainless steel 1.4301, dull blasted

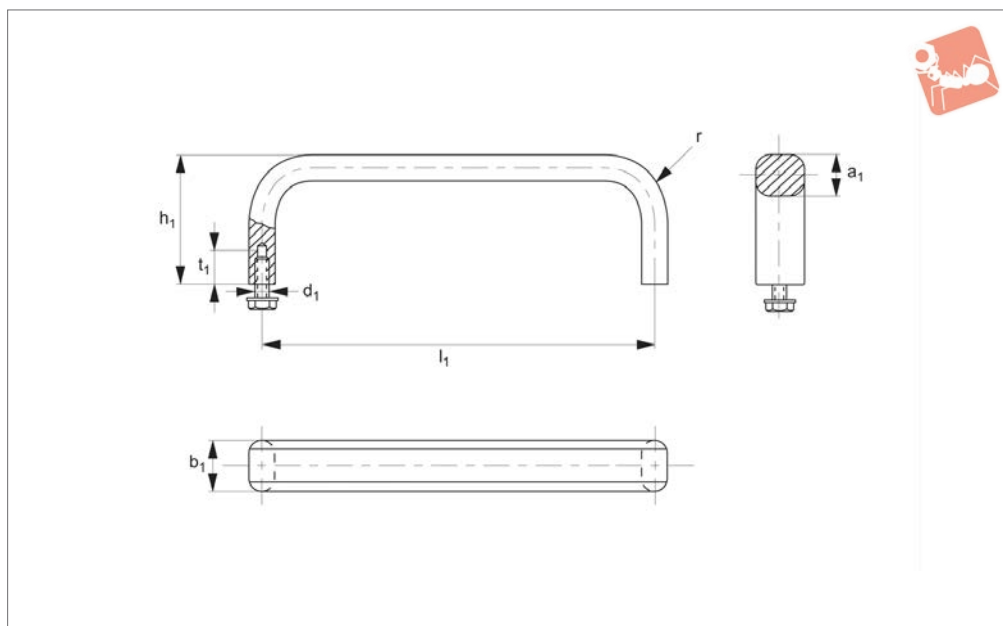
### Technical Notes

Ergonomic design offering high stability and smooth surfaces.

Order No.	$l_1$	$a_1$	$b_1$	$d_1$	$h_1$	R	$t_1$	Weight g
78910.W0510	112	13	20	M 6	49	13	10	270
78910.W0520	128	13	20	M 6	51	13	10	305
78910.W0530	160	13	20	M 6	51	13	10	366
78910.W0540	200	13	20	M 6	51	13	10	440
78910.W0550	250	13	20	M 6	51	13	10	517
78910.W0560	300	13	20	M 6	51	13	10	597
78910.W0580	400	13	20	M 6	51	13	10	737



**78920**



### Material

Stainless steel X12 CrNiS 18 8, 1.4305 (AISI 303).

Finish: vibration ground with a semi-matte finish.

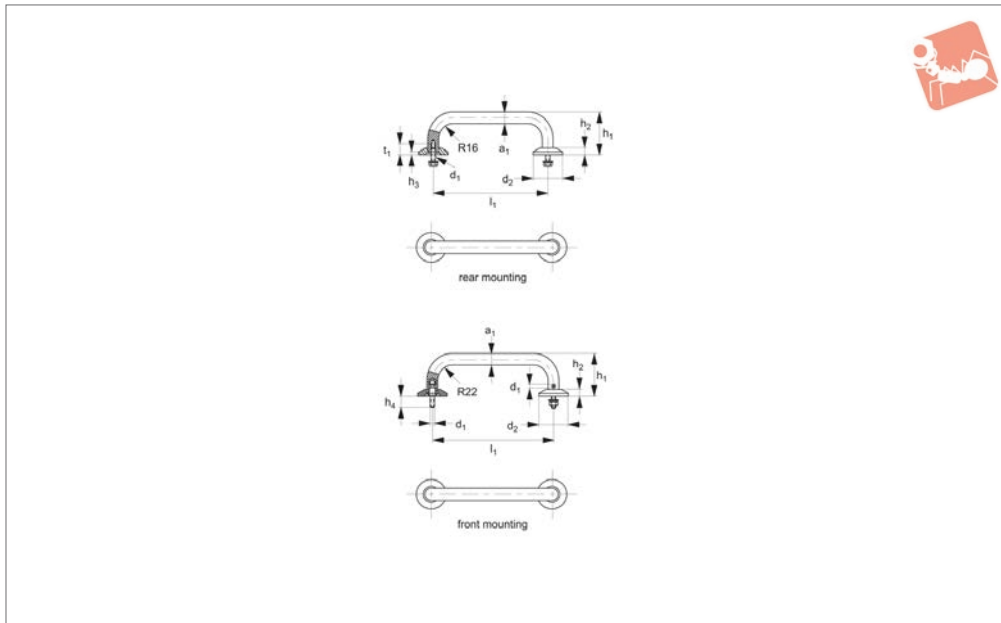
### Technical Notes

Supplied with hex screws DIN 933 and suitable washer. Minimum stress resistance >1000N.

### Tips

Attractively shaped handles for all applications, with high corrosive and chemical resistance. Other dimensions on request.

Order No.	Type	$l_1$	$a_1$	$b_1$	$d_1$	$h_1$	$r$	$t_1$
78920.W0010	Narrow	100	8	12.0	M_5x10	40	22	10
78920.W0012	Narrow	120	8	12.0	M_5x10	40	22	10
78920.W0015	Narrow	150	8	12.0	M_5x10	40	22	10
78920.W0018	Narrow	180	8	12.0	M_5x10	40	22	10
78920.W0025	Narrow	250	8	12.0	M_5x10	40	22	10
78920.W0035	Narrow	350	8	12.0	M_5x10	40	22	10
78920.W0110	Wide	100	10	19.5	M_6x12	45	24	12
78920.W0112	Wide	120	10	19.5	M_6x12	45	24	12
78920.W0115	Wide	150	10	19.5	M_6x12	45	24	12
78920.W0118	Wide	180	10	19.5	M_6x12	45	24	12
78920.W0125	Wide	250	10	19.5	M_6x12	45	24	12
78920.W0135	Wide	350	10	19.5	M_6x12	45	24	12



78940

PULL HANDLES

**Material**

Round stainless steel X12 CrNiS 18 8, material no. 1.4305. Finish: ground and brushed for a matt finish.

DIN 933 and washers.

Rear mounting: supplied with mounting adapter and suitable nuts and washer. Minimum stress resistance >1000N.

required. Other dimensions on request.

**Technical Notes**

Front mounting: supplied with hex screws

**Tips**

Where maximum load-bearing capacity is

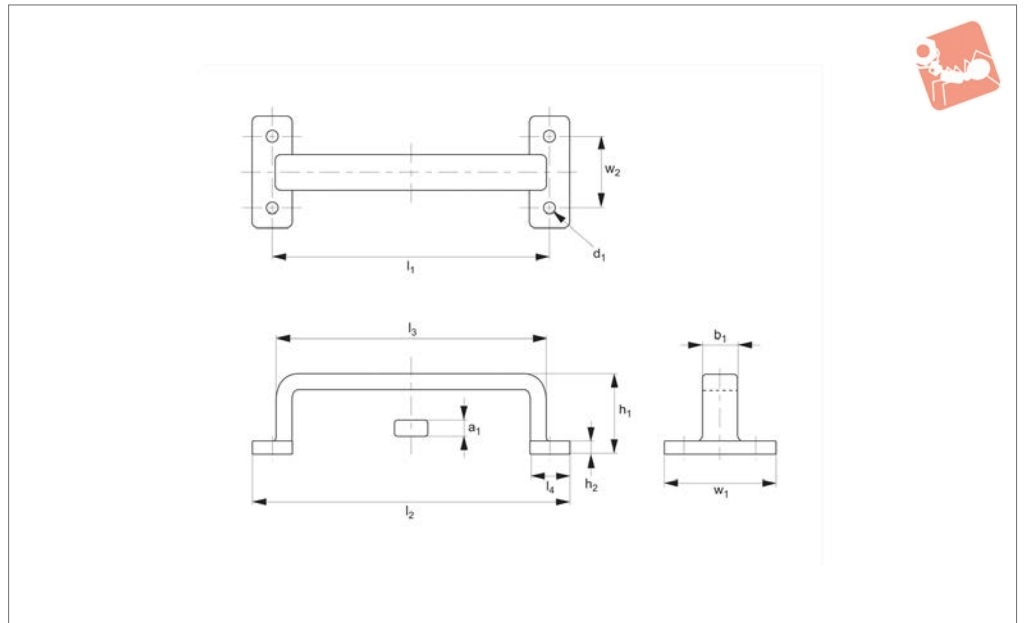
Order No.	Type	$l_1$	$a_1$	$d_1$	$d_2$	$h_1$	$h_2$	$h_3$	$h_4$	$t_1$
78940.W0015	Rear Mounting	150	15	M 6 x 20	38	58	9	4	-	16
78940.W0020	Rear Mounting	200	15	M 6 x 20	38	58	9	4	-	16
78940.W0025	Rear Mounting	250	15	M 6 x 20	38	58	9	4	-	16
78940.W0120	Front Mounting	200	20	M 8	50	75	12	5	16	21
78940.W0125	Front Mounting	250	20	M 8	50	75	12	5	16	21
78940.W0130	Front Mounting	300	20	M 8	50	75	12	5	16	21
78940.W0220	Rear Mounting	200	20	M 8 x 25	50	75	12	5	-	-
78940.W0225	Rear Mounting	250	20	M 8 x 25	50	75	12	5	-	-
78940.W0230	Rear Mounting	300	20	M 8 x 25	50	75	12	5	-	-



PULL HANDLES



**78950**



**Material**

AISI 316 stainless steel, mirror finish.

**Technical Notes**

Supplied with stainless steel screws.

**Important Notes**

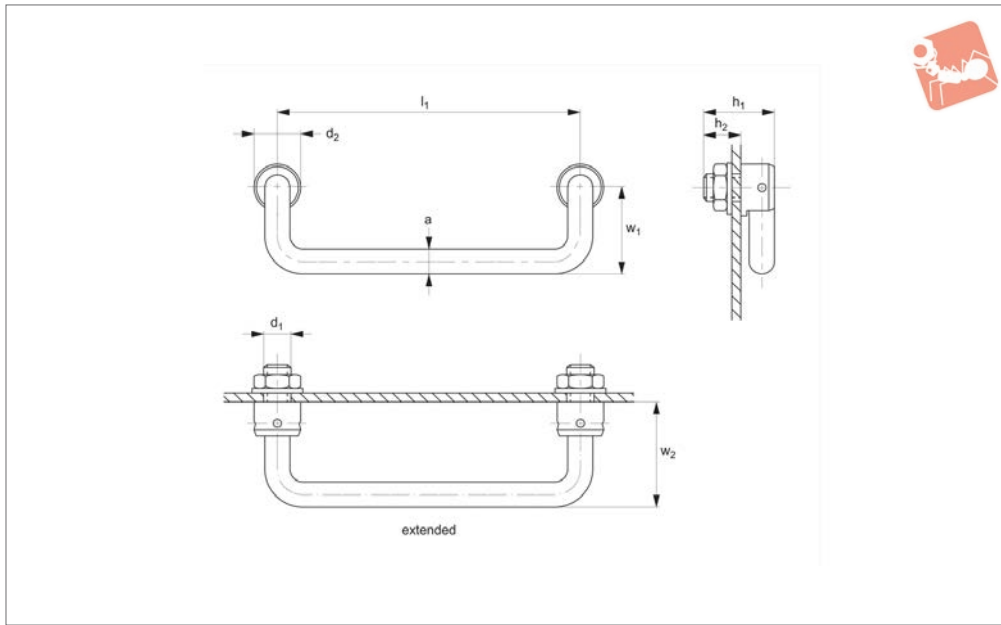
Ideal for harsh and high corrosive environments. Higher profile allows for easy gripping with gloved hand.

Order No.	$l_1$	$l_2$	$l_3$	$l_4$	$a_1$	$b_1$	$h_1$	$h_2$	$w_1$	$w_2$	Weight g
<b>78950.W0200</b>	175	200	170	25	10	22	50	8	70	45	586
<b>78950.W0280</b>	253	280	250	27	12	26	62	10	80	55	1088



# Pull Handles - Collapsible

stainless steel



**78970**

PULL HANDLES

### Material

All components made of round bar stainless steel, material no. 1.4305. Finish: vibration ground to a semi-matt finish.

### Technical Notes

Spring-arrest in both retracted and extended positions. One piece pivot bushing. Minimum stress resistance 500N.

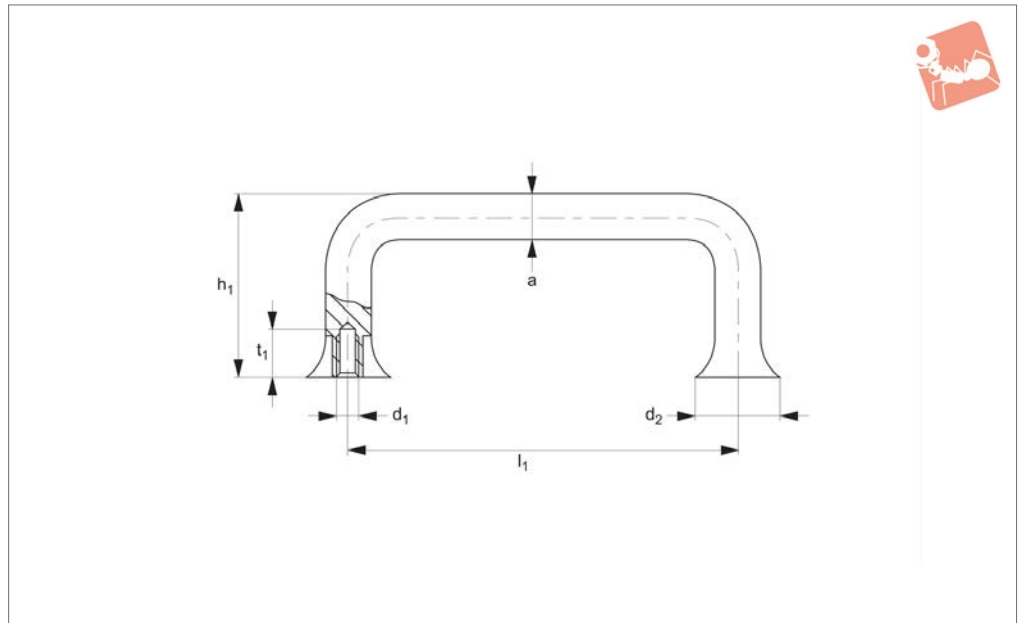
### Tips

Supplied complete with nuts and washers.

Order No.	$l_1$	$a$	$d_1$	$d_2$	$h_1$	$h_2$	$w_1$	$w_2$
<b>78970.W0100</b>	100	10	M10x1	18	28	14	34	43
<b>78970.W0120</b>	120	10	M10x1	18	28	14	34	43
<b>78970.W0180</b>	180	10	M10x1	18	28	14	34	43



**79750**



**Material**

Round bar stainless steel 1.4305 (AISI 303), vibration ground, semi-matte finish. Supplied with stainless steel hex screws, DIN933 and suitable nuts and washers.

**Technical Notes**

Minimum stress resistance >1000N.

**Tips**

The trumpet like design of the handle base

makes them easy to clean thoroughly. The handles are therefore particularly suitable for hygienic areas.

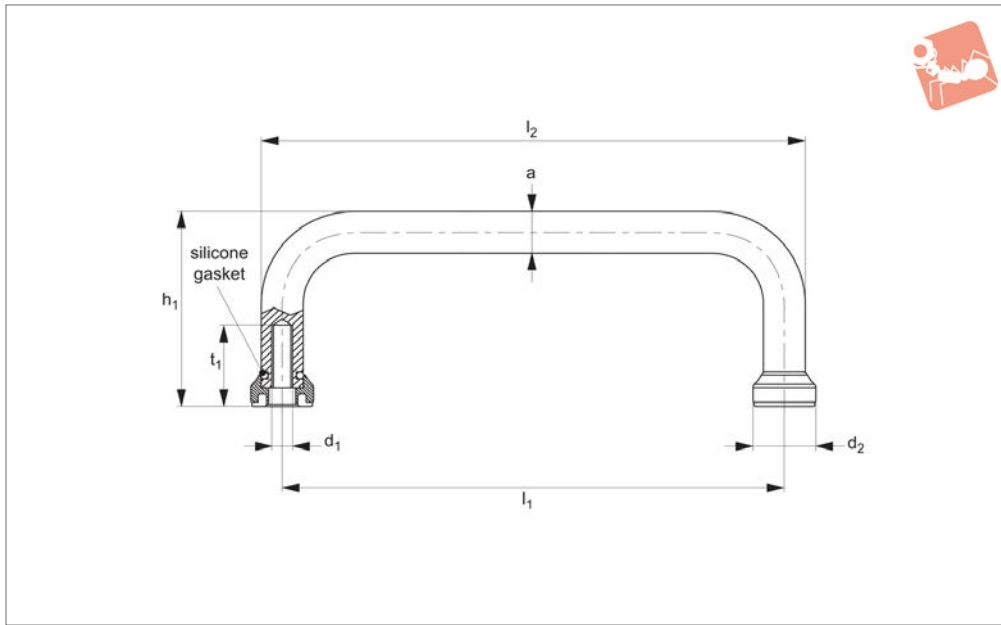
Order No.	$l_1$	$a$	$d_1$	$d_2$	$h_1$	$t_1$
79750.W0119	120	10	M 5	20	45	10
79750.W0120	120	15	M 6	30	60	12
79750.W0140	140	15	M 6	30	60	12
79750.W0100	100	10	M 5	20	45	10
79750.W0200	200	15	M 6	30	60	12





# Pull Handles - 3A Standard

hygienic line, stainless steel



**79760**

PULL HANDLES

**Material**

Round bar stainless steel AISI304  
Blue gasket: silicone

**Tips**

Made to the high „3A“ standard.

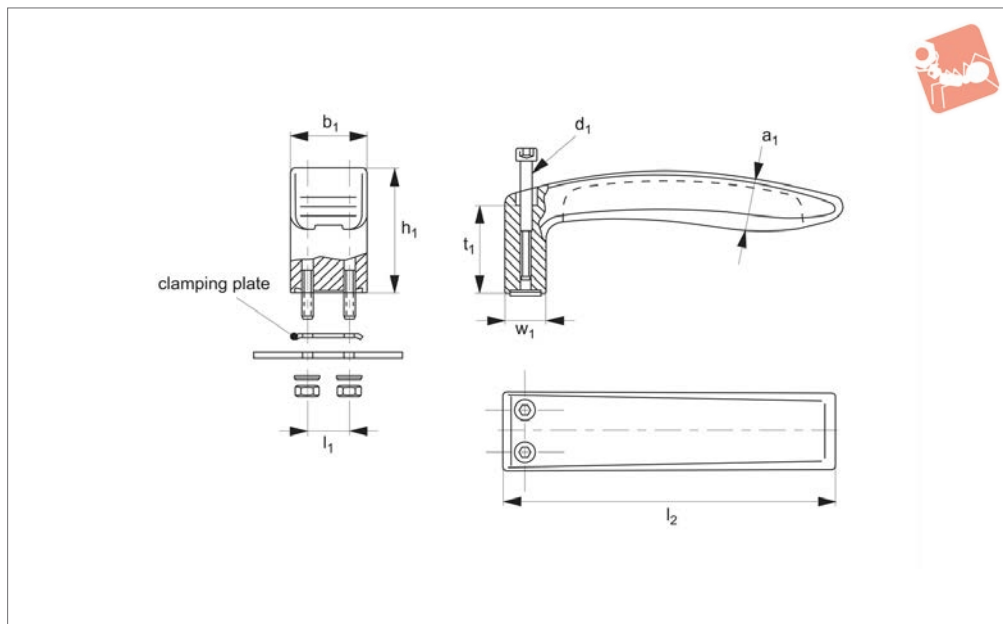
This ensures it meets the high standards required for use in food, beverage, pharmaceutical and medical applications. Hygienically designed for effective and easy cleaning, corrosion resistant, non-

toxic. Design precludes contamination by dirt, food particles and organic matter.

Order No.	$l_1$	$l_2$	$a$	$d_1$	$d_2$	$h_1$	$t_1$
79760.W0088	88	98	10	M5	15	46	10
79760.W0100	100	110	10	M5	15	46	10
79760.W0120	120	130	10	M5	15	46	10
79760.W0180	180	190	10	M5	15	46	10



**78190**



**Material**

Thermoplastic PA 6, glass ball reinforced, matt black.

**Technical Notes**

Ideal for applications where one-sided fastening required. Minimum stress resi-

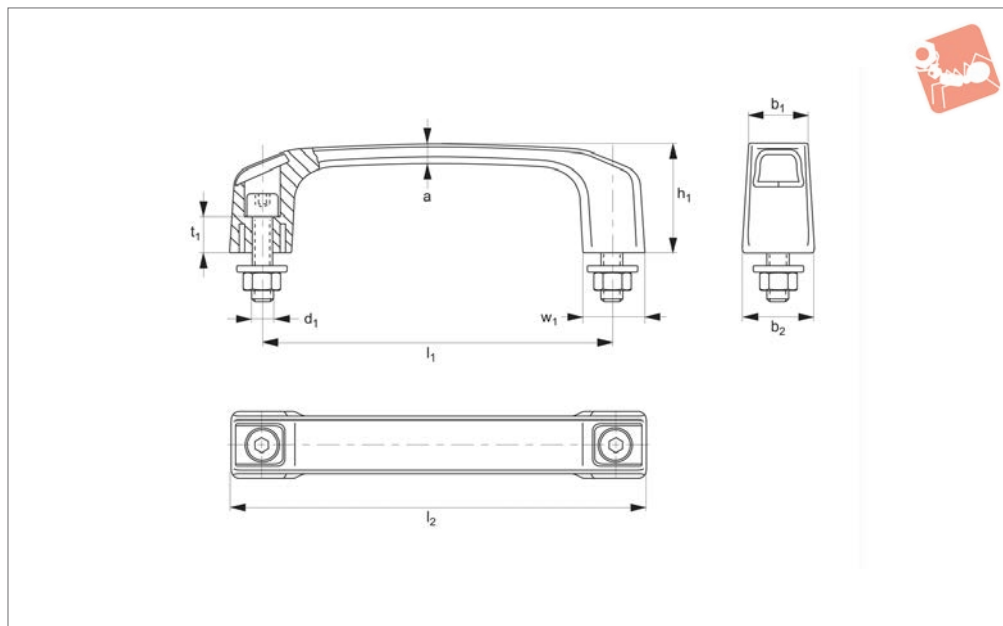
stance 800N per handle.

Order No.	$l_1$	$l_2$	$a_1$	$b_1$	$d_1$	$h_1$	$t_1$	$w_1$
78190.W0017	17	128	20	30	M 5x45	48	33	18
78190.W0020	20	154	24	36	M 6x55	58	40	22



# Pull Handles

plastic, with coloured caps



**79100**

PULL HANDLES

### Material

Handle: thermoplastic PA 6 glass-ball reinforced. Matt black with attractive fine-grain structure. Blanking caps: in the same surface structure available in black, red, green, blue and yellow.

### Technical Notes

Includes electrogalvanized socket-head cap bolts DIN 912, nuts DIN 934 and washers DIN 125.  
Minimum stress resistance 1000N.

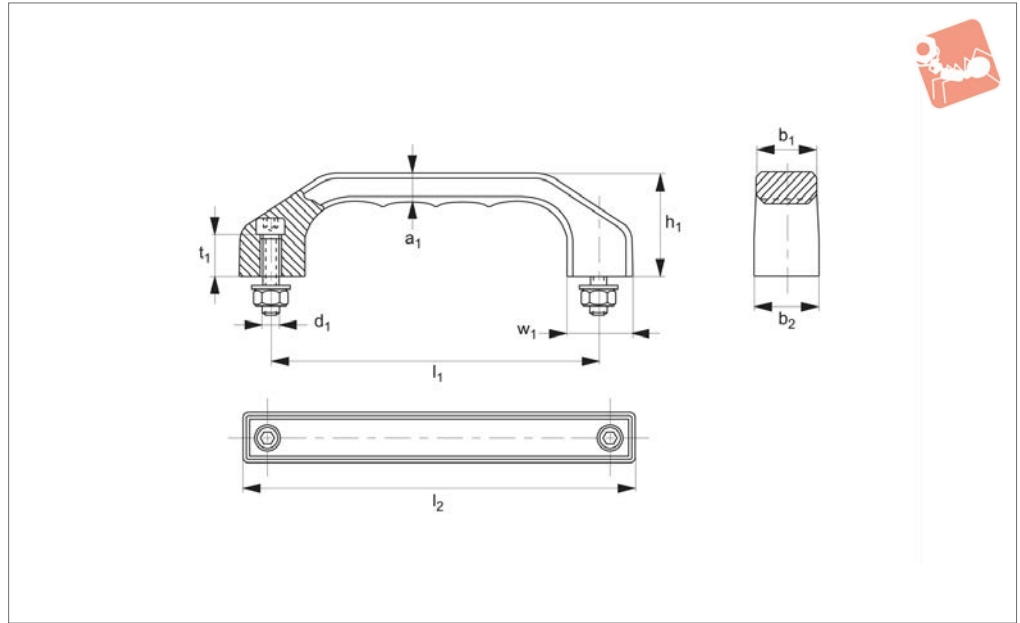
### Tips

Red - similar to RAL 3020  
Green - similar to RAL 6024  
Blue - similar to RAL 5017  
Yellow - similar to RAL 1023

Order No.	Cap colour	$l_1$	$l_2$	$a$	$b_1$	$b_2$	$d_1$	$h_1$	$t_1$	$w_1$
79100.W0120-9	Black	120	141	7	21	24	M_6x25	39	13	21
79100.W0140-9	Black	140	164	8	24	28	M_8x30	45	15	24
79100.W0120-3	Red	120	141	7	21	24	M_6x25	39	13	21
79100.W0140-3	Red	140	164	8	24	28	M_8x30	45	15	24
79100.W0120-6	Green	120	141	7	21	24	M_6x25	39	13	21
79100.W0140-6	Green	140	164	8	24	28	M_8x30	45	15	24
79100.W0120-5	Blue	120	141	7	21	24	M_6x25	39	13	21
79100.W0140-5	Blue	140	164	8	24	28	M_8x30	45	15	24
79100.W0120-1	Yellow	120	141	7	21	24	M_6x25	39	13	21
79100.W0140-1	Yellow	140	164	8	24	28	M_8x30	45	15	24
79100.W0120-0	W/o Caps & Screws	120	141	7	21	24	M_6x25	39	13	21
79100.W0140-0	W/o Caps & Screws	140	164	8	24	28	M_8x30	45	15	24



**79120**



**Material**

Solid thermoplastic PA 6, glass ball reinforced. Matt black or orange with attractive, fine grain structure.

**Technical Notes**

Including hex screws DIN912 with suitable

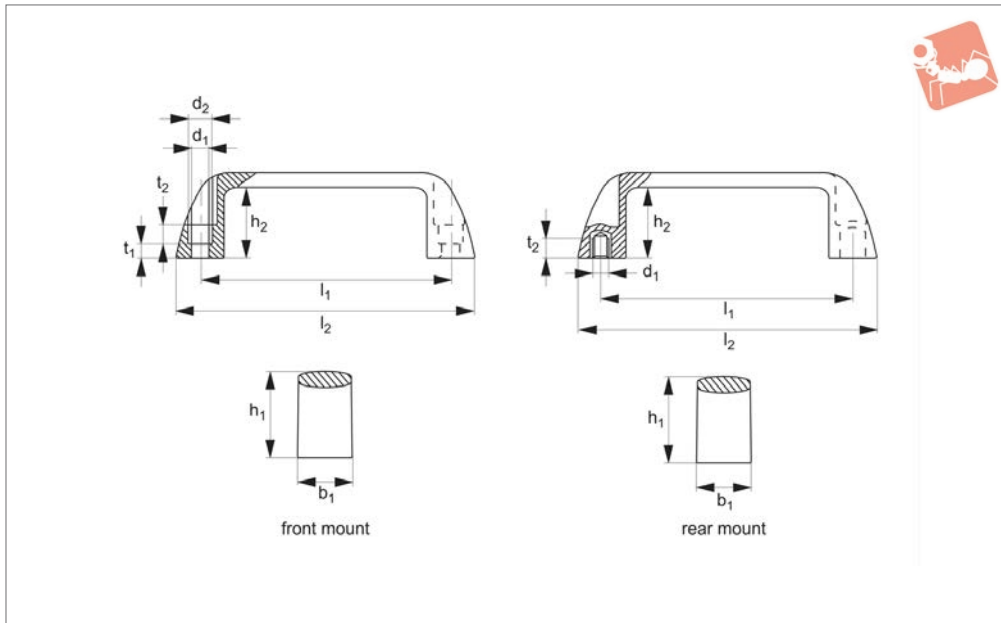
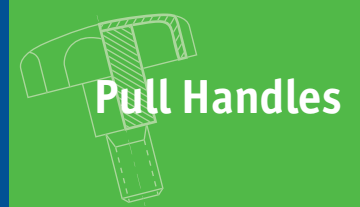
nuts and washer. Solid plastic. Modern industrial design for the highest demands. Extremely resistant to torsion and easy to grip. Minimum stress resistance >1000N. And scope of supply.

Including black galvanised cheese head screws (chromium VI free) with hexagon sockets DIN 912 and galvanised nuts DIN 934 with washers DIN 125.

Order No.	Finish	$l_1$	$l_2$	$a_1$	$b_1$	$b_2$	$d_1$	$h_1$	$t_1$	$w_1$
79120.W0100-8	Black	100	122	8.5	17.0	19	M 5x22	33	13	20
79120.W0120-8	Black	120	146	10.5	20.5	24	M 6x25	39	15	24
79120.W0140-8	Black	140	170	12.0	24.0	27	M 8x30	45	16	28
79120.W0160-8	Black	160	194	13.5	27.5	31	M 8x35	52	20	32
79120.W0180-8	Black	180	218	15.5	31.0	35	M10x40	58	20	36
79120.W0100-0	Orange	100	122	8.5	17.0	19	M 5x22	33	13	20
79120.W0120-0	Orange	120	146	10.5	20.5	24	M 6 x25	39	15	24
79120.W0140-0	Orange	140	170	12.0	24.0	27	M 8 x30	45	16	28
79120.W0160-0	Orange	160	194	13.5	27.5	31	M 8x35	52	20	32
79120.W0180-0	Orange	180	218	15.5	31.0	35	M10x40	58	20	36



# Plastic Pull Handles through hole or threaded bush



**79150**

PULL HANDLES

### Material

Thermoplastic, black, matt, glass fibre reinforced.

Threaded bush: brass.

### Technical Notes

Other colours on request: red, orange,

white & grey - subject to minimum quantity.

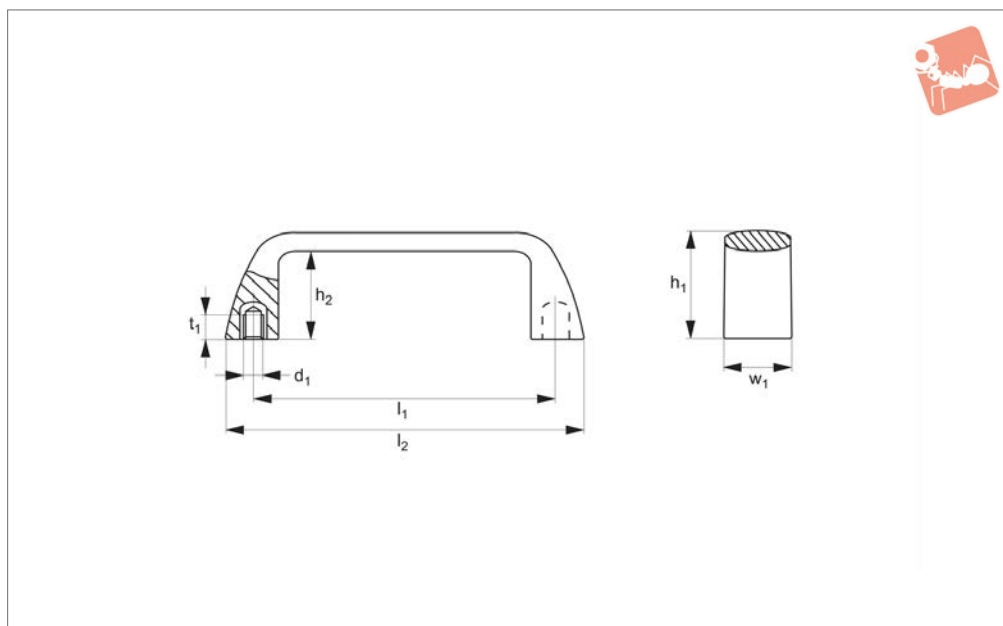
Order No.	Type	$l_1$	$l_2$	$b_1$	$d_2$	$h_1$	$h_2$	$t_1$	$t_2$	$\emptyset d_1$	Weight g
79150.W0010	Front Mount	93.5	112	21	Ø10,5	36	30	6	7	6.5	26
79150.W0011	Front Mount	117.0	139	26	Ø10,5	41	34	6	9	6.5	41
79150.W0012	Front Mount	117.0	139	26	Ø13,0	41	34	6	9	8.5	40
79150.W0013	Front Mount	132.0	156	27	Ø10,5	45	37	9	7	6.5	56
79150.W0014	Front Mount	132.0	156	27	Ø13,0	45	37	7	9	8.5	54
79150.W0018	Front Mount	179.0	204	28	Ø13,0	50	42	8	9	8.5	72
79150.W0509	Rear Mount	93.5	112	21	-	36	30	-	9	M 5	33
79150.W0510	Rear Mount	93.5	112	21	-	36	30	-	9	M 6	33
79150.W0511	Rear Mount	117.0	139	26	-	41	34	-	9	M 6	47
79150.W0512	Rear Mount	117.0	139	26	-	41	34	-	9	M 8	49
79150.W0513	Rear Mount	132.0	156	27	-	45	37	-	9	M 6	62
79150.W0514	Rear Mount	132.0	156	27	-	45	37	-	9	M 8	64
79150.W0518	Rear Mount	179.0	204	28	-	50	42	-	9	M 8	82



PULL HANDLES



**79180**



**Material**

Thermoplastic, black, matt. Glass fibre reinforced.

Brass insert with tapped blind hole.

**Technical Notes**

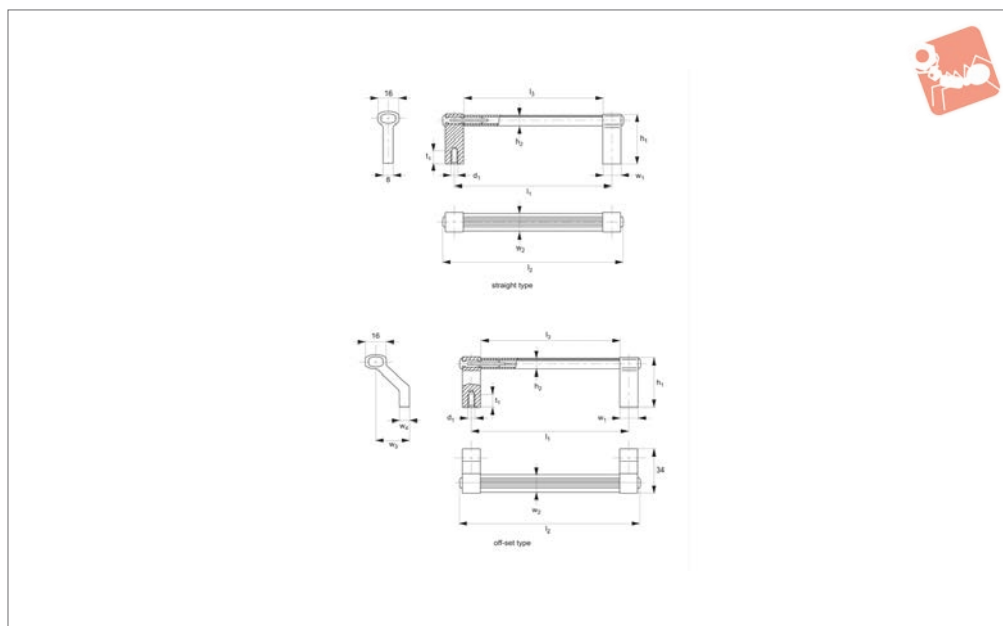
Other colours on request:- red, orange,

white & grey - subject to minimum quantity.

Order No.	$l_1$	$l_2$	$d_1$	$h_1$	$h_2$	$t_1$	$w_1$	Weight g
79180.W0009	105	121	M 5	37	29	9	26	46
79180.W0010	105	121	M 6	37	29	9	26	48
79180.W0011	110	133	M 5	40	32	9	26	58
79180.W0012	110	133	M 6	40	32	9	26	60
79180.W0016	117	133	M 5	40	32	9	26	57
79180.W0017	117	133	M 6	40	32	9	26	59
79180.W0018	117	133	M 8	40	32	9	26	61



# Pull Handles - Heavy Duty aluminium



## 79200

PULL HANDLES

### Material

Handle shank and grip: profiled aluminium Al Mg Si 0,5. Connecting moulded components made of black polyamide with stainless steel pin.  
Handle shank vibration ground and matte

finished. Grip

### Technical Notes

Minimum stress resistance 1000N. Handle with tangent bent aluminium shanks, completely assembled.

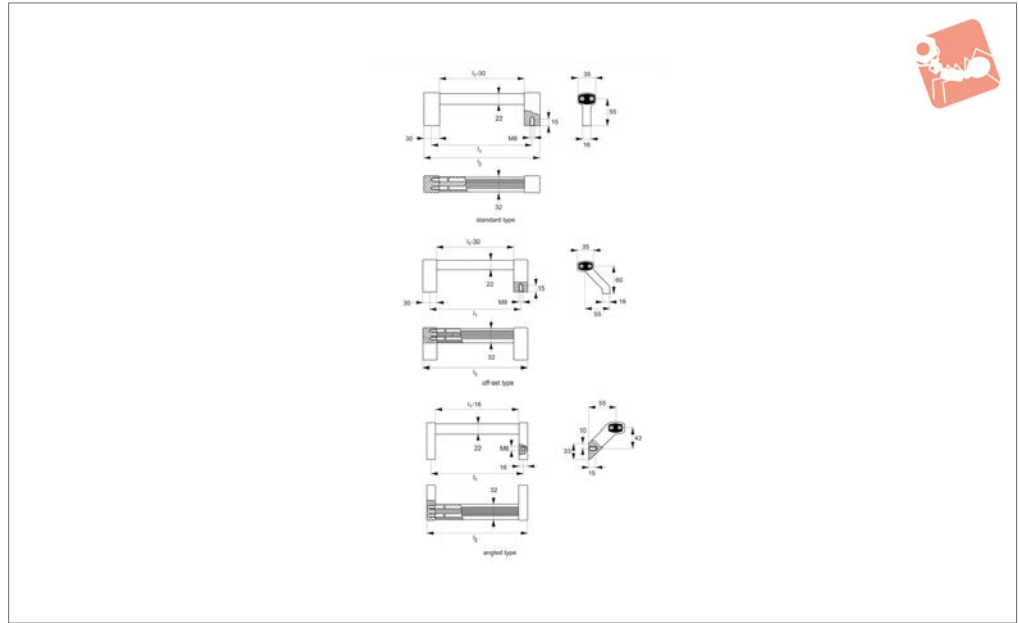
### Tips

For 19" front panels and appliances. Provides high stability under load. Black grips available on request.

Order No.	Colour	Type	$l_1$	$l_2$	$l_3$	$d_1$	$h_1$	$h_2$	$t_1$	$w_1$	$w_2$	$w_3$	$w_4$
79200.W0055-0	Natural	Straight	55	73	41	M 5	40	9	10	14	14	-	-
79200.W0055-1	Black	Straight	55	73	41	M 5	40	9	10	14	14	-	-
79200.W0069-0	Natural	Straight	69	87	55	M 5	40	9	10	14	14	-	-
79200.W0069-1	Black	Straight	69	87	55	M 5	40	9	10	14	14	-	-
79200.W0088-0	Natural	Straight	88	106	74	M 5	40	9	10	14	14	-	-
79200.W0088-1	Black	Straight	88	106	74	M 5	40	9	10	14	14	-	-
79200.W0100-0	Natural	Straight	100	118	86	M 5	40	9	10	14	14	-	-
79200.W0100-1	Black	Straight	100	118	86	M 5	40	9	10	14	14	-	-
79200.W0114-0	Natural	Straight	114	132	100	M 5	40	9	10	14	14	-	-
79200.W0114-1	Black	Straight	114	132	100	M 5	40	9	10	14	14	-	-
79200.W0120-0	Natural	Straight	120	138	104	M 5	40	9	10	14	14	-	-
79200.W0120-1	Black	Straight	120	138	104	M 5	40	9	10	14	14	-	-
79200.W0180-0	Natural	Straight	180	198	166	M 5	40	9	10	14	14	-	-
79200.W0180-1	Black	Straight	180	198	166	M 5	40	9	10	14	14	-	-
79200.W0555-0	Natural	Offset	55	73	41	M 5	40	9	10	14	14	22	8
79200.W0555-1	Black	Offset	55	73	41	M 5	40	9	10	14	14	22	8
79200.W0569-0	Natural	Offset	69	87	55	M 5	40	9	10	14	14	22	8
79200.W0569-1	Black	Offset	69	87	55	M 5	40	9	10	14	14	22	8
79200.W0588-0	Natural	Offset	88	106	74	M 5	40	9	10	14	14	22	8
79200.W0588-1	Black	Offset	88	106	74	M 5	40	9	10	14	14	22	8
79200.W0600-0	Natural	Offset	100	118	86	M 5	40	9	10	14	14	22	8
79200.W0600-1	Black	Offset	100	118	86	M 5	40	9	10	14	14	22	8
79200.W0614-0	Natural	Offset	114	132	100	M 5	40	9	10	14	14	22	8
79200.W0614-1	Black	Offset	114	132	100	M 5	40	9	10	14	14	22	8
79200.W0620-0	Natural	Offset	120	138	104	M 5	40	9	10	14	14	22	8
79200.W0620-1	Black	Offset	120	138	104	M 5	40	9	10	14	14	22	8
79200.W0680-0	Natural	Offset	180	198	166	M 5	40	9	10	14	14	22	8
79200.W0680-1	Black	Offset	180	198	166	M 5	40	9	10	14	14	22	8



## 79210



### Material

Handle shank and grip: aluminium section Al Mg Si 0,5. Glass bead blasted and semi-glossed, anodised.

### Technical Notes

Supplied with hex screws DIN 933, M8x16

and suitable washers. Minimum stress resistance >1000N.

### Tips

Black grips available on request. Any desired handle lengths and surfaces available on request.

Order No.	Type	Grip finish	Shank finish	l <sub>1</sub>	l <sub>2</sub>
79210.W0020-0	Straight	Natural	Natural	200	230
79210.W0020-1	Straight	Natural	Black	200	230
79210.W0025-0	Straight	Natural	Natural	250	280
79210.W0025-1	Straight	Natural	Black	250	280
79210.W0030-0	Straight	Natural	Natural	300	330
79210.W0030-1	Straight	Natural	Black	300	330
79210.W0035-0	Straight	Natural	Natural	350	380
79210.W0035-1	Straight	Natural	Black	350	380
79210.W0040-0	Straight	Natural	Natural	400	430
79210.W0040-1	Straight	Natural	Black	400	430
79210.W0050-0	Straight	Natural	Natural	500	530
79210.W0050-1	Straight	Natural	Black	500	530
79210.W0060-0	Straight	Natural	Natural	600	630
79210.W0060-1	Straight	Natural	Black	600	630
79210.W0220-0	Offset	Natural	Natural	200	230
79210.W0220-1	Offset	Natural	Black	200	230
79210.W0225-0	Offset	Natural	Natural	250	280
79210.W0225-1	Offset	Natural	Black	250	280
79210.W0230-0	Offset	Natural	Natural	300	330
79210.W0230-1	Offset	Natural	Black	300	330
79210.W0235-0	Offset	Natural	Natural	350	380
79210.W0235-1	Offset	Natural	Black	350	380
79210.W0240-0	Offset	Natural	Natural	400	430
79210.W0240-1	Offset	Natural	Black	400	430
79210.W0250-0	Offset	Natural	Natural	500	530
79210.W0250-1	Offset	Natural	Black	500	530
79210.W0260-0	Offset	Natural	Natural	600	630
79210.W0260-1	Offset	Natural	Black	600	630
79210.W0420-0	Angled	Natural	Natural	200	230
79210.W0420-1	Angled	Natural	Black	200	230
79210.W0425-0	Angled	Natural	Natural	250	280
79210.W0425-1	Angled	Natural	Black	250	280





# Pull Handles - Heavy Duty aluminium



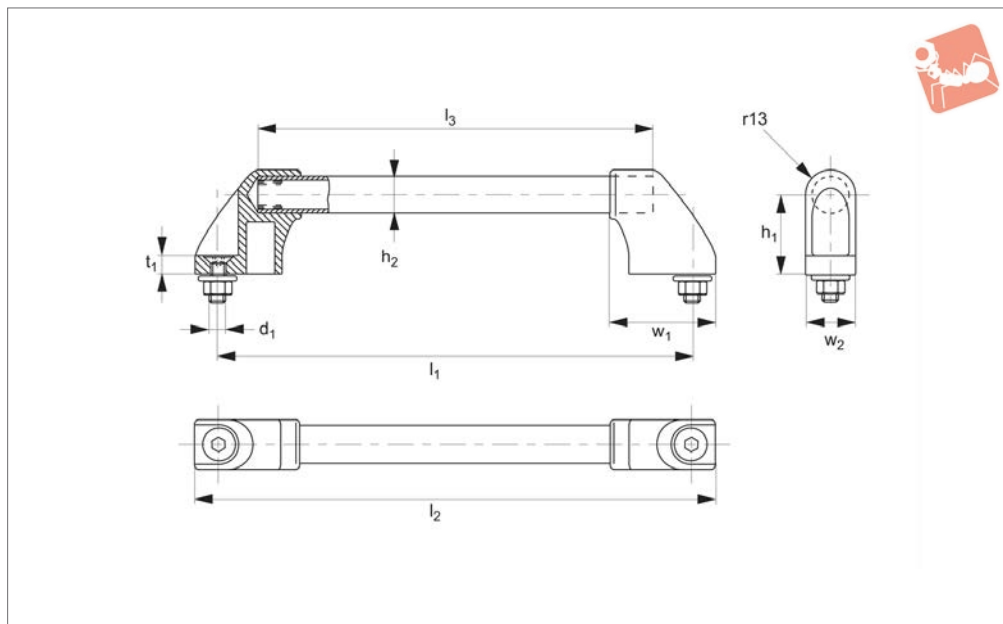
Order No.	Type	Grip finish	Shank finish	l <sub>1</sub>	l <sub>2</sub>
79210.W0430-0	Angled	Natural	Natural	300	330
79210.W0430-1	Angled	Natural	Black	300	330
79210.W0435-0	Angled	Natural	Natural	350	380
79210.W0435-1	Angled	Natural	Black	350	380
79210.W0440-0	Angled	Natural	Natural	400	430
79210.W0440-1	Angled	Natural	Black	400	430
79210.W0450-0	Angled	Natural	Natural	500	530
79210.W0450-1	Angled	Natural	Black	500	530
79210.W0460-0	Angled	Natural	Natural	600	630
79210.W0460-1	Angled	Natural	Black	600	630



PULL HANDLES



## 79240



### Material

Handle shank: polyamide, PA 6 glass ball reinforced, black, semi-matt, with fine structure.

Connecting tube: aluminium ALMgSi 0.5, ground and anodized in natural colour or

with grooved plastic cover.

### Technical Notes

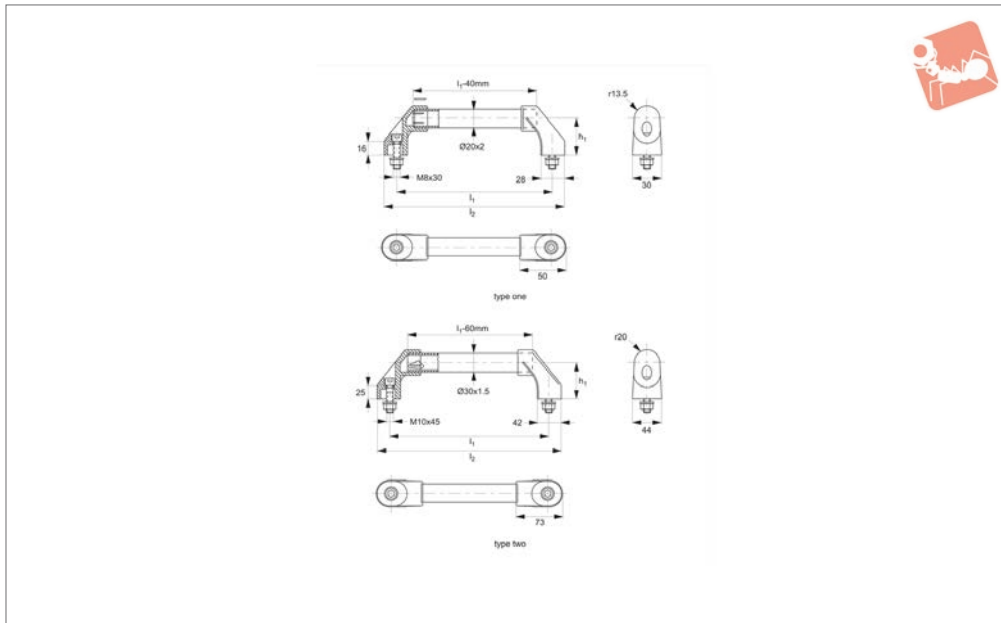
Supplied with hex screws DIN 7991 M8 x 20, and suitable nuts and washers.

Minimum stress resistance 500N.

### Tips

The handle shank is fitted with 4 clamping pins, when the connection tube is pressed in the pins form around the tube and provide a firm hold.

Order No.	Finish	$l_1$	$l_2$	$l_3$	$d_1$	$h_1$	$h_2$	$t_1$	$w_1$	$w_2$
79240.W0010	Natural	180	204	140	M 8 x 20	42	Ø20 x 2	10	55	26
79240.W0020	Natural	200	224	160	M 8 x 20	42	Ø20 x 2	10	55	26
79240.W0025	Natural	250	274	210	M 8 x 20	42	Ø20 x 2	10	55	26
79240.W0030	Natural	300	324	260	M 8 x 20	42	Ø20 x 2	10	55	26
79240.W0035	Natural	350	374	310	M 8 x 20	42	Ø20 x 2	10	55	26
79240.W0040	Natural	400	424	360	M 8 x 20	42	Ø20 x 2	10	55	26
79240.W0050	Natural	500	524	460	M 8 x 20	42	Ø20 x 2	10	55	26
79240.W0060	Natural	600	624	560	M 8 x 20	42	Ø20 x 2	10	55	26
79240.W0110	Plastic	180	204	140	M 8 x 20	42	Ø20 x 2	10	55	26
79240.W0120	Plastic	200	224	160	M 8 x 20	42	Ø20 x 2	10	55	26
79240.W0125	Plastic	250	274	210	M 8 x 20	42	Ø20 x 2	10	55	26
79240.W0130	Plastic	300	324	260	M 8 x 20	42	Ø20 x 2	10	55	26
79240.W0135	Plastic	350	374	310	M 8 x 20	42	Ø20 x 2	10	55	26
79240.W0140	Plastic	400	424	360	M 8 x 20	42	Ø20 x 2	10	55	26
79240.W0150	Plastic	500	524	460	M 8 x 20	42	Ø20 x 2	10	55	26
79240.W0160	Plastic	600	624	560	M 8 x 20	42	Ø20 x 2	10	55	26



79250

PULL HANDLES

**Material**

Handle shank: polyamide, PA 6 glass ball reinforced, black, semi-matt with fine structure.  
 Connection tube: aluminium Al Mg Si 0,5.  
 Surface finishes: ground and anodised in natural colour. Grooved plastic cover,

black. Powder coated, black.

**Technical Notes**

Type one: supplied with hex screws DIN 912 M8x30, and suitable nuts and washers.  
 Type two: supplied with hex screws DIN912 M10x45 and suitable nuts and washers.

Minimum stress resistance 1000N.

**Tips**

The handle shank is fitted with 4 clamping pins, when the connection tube is pressed in the pins form around the tube and provide a firm hold.

Order No.	Type	Finish	l <sub>1</sub>	l <sub>2</sub>	h <sub>1</sub> height to centre
79250.W0018	One	Natural	180	210	42
79250.W0020	One	Natural	200	230	42
79250.W0025	One	Natural	250	280	42
79250.W0030	One	Natural	300	330	42
79250.W0035	One	Natural	350	380	42
79250.W0040	One	Natural	400	430	42
79250.W0050	One	Natural	500	530	42
79250.W0060	One	Natural	600	630	42
79250.W0118	One	Plastic Coat	180	210	42
79250.W0120	One	Plastic Coat	200	230	42
79250.W0125	One	Plastic Coat	250	280	42
79250.W0130	One	Plastic Coat	300	330	42
79250.W0135	One	Plastic Coat	350	380	42
79250.W0140	One	Plastic Coat	400	430	42
79250.W0150	One	Plastic Coat	500	530	42
79250.W0160	One	Plastic Coat	600	630	42
79250.W0218	One	Powder Coat	180	210	42
79250.W0220	One	Powder Coat	200	230	42
79250.W0225	One	Powder Coat	250	280	42
79250.W0230	One	Powder Coat	300	330	42
79250.W0235	One	Powder Coat	350	380	42
79250.W0240	One	Powder Coat	400	430	42
79250.W0250	One	Powder Coat	500	530	42
79250.W0260	One	Powder Coat	600	630	42
79250.W0525	Two	Natural	250	294	60
79250.W0530	Two	Natural	300	344	60
79250.W0535	Two	Natural	350	394	60
79250.W0540	Two	Natural	400	444	60
79250.W0550	Two	Natural	500	544	60
79250.W0560	Two	Natural	600	644	60
79250.W0625	Two	Plastic Coat	250	294	60



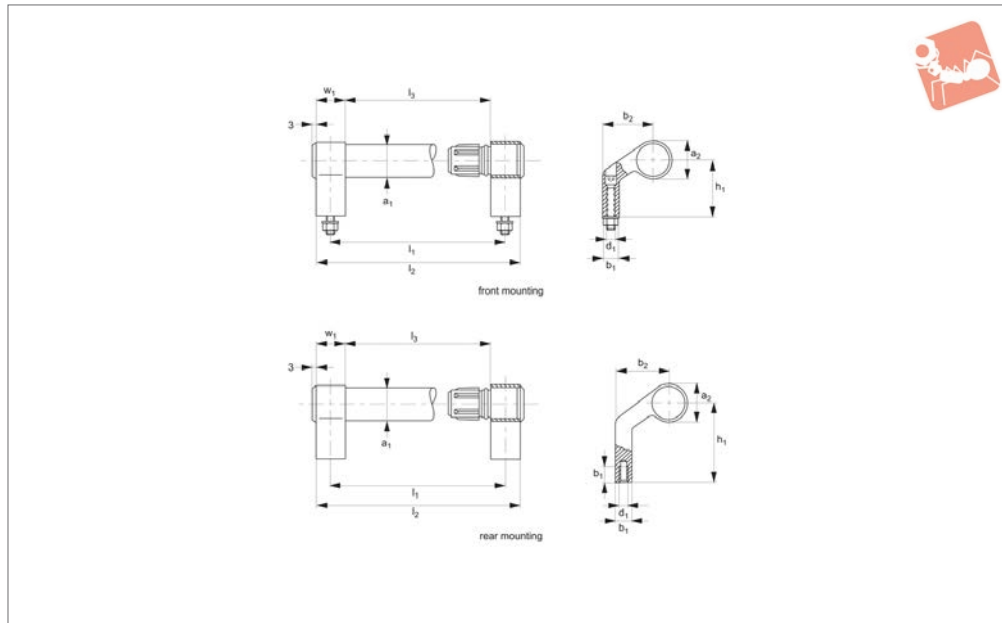
Order No.	Type	Finish	$l_1$	$l_2$	$h_1$ height to centre
<b>79250.W0630</b>	Two	Plastic Coat	300	344	60
<b>79250.W0635</b>	Two	Plastic Coat	350	394	60
<b>79250.W0640</b>	Two	Plastic Coat	400	444	60
<b>79250.W0650</b>	Two	Plastic Coat	500	544	60
<b>79250.W0660</b>	Two	Plastic Coat	600	644	60
<b>79250.W0725</b>	Two	Powder Coat	250	294	60
<b>79250.W0730</b>	Two	Powder Coat	300	344	60
<b>79250.W0735</b>	Two	Powder Coat	350	394	60
<b>79250.W0740</b>	Two	Powder Coat	400	444	60
<b>79250.W0750</b>	Two	Powder Coat	500	544	60
<b>79250.W0760</b>	Two	Powder Coat	600	644	60



# Pull Handle System aluminium



## Pull Handles



### 79270

PULL HANDLES

#### Material

Handle shank: extruded aluminium Al Mg Si 0,5. Anodised, matt black. Insert of black reinforced polyamide (PA6).  
Connecting tube: aluminium Al Mg Si 0,5

Ø30 x 1,5mm. Precision ground and anodised.

#### Technical Notes

Minimum stress resistance >1000N. Wide

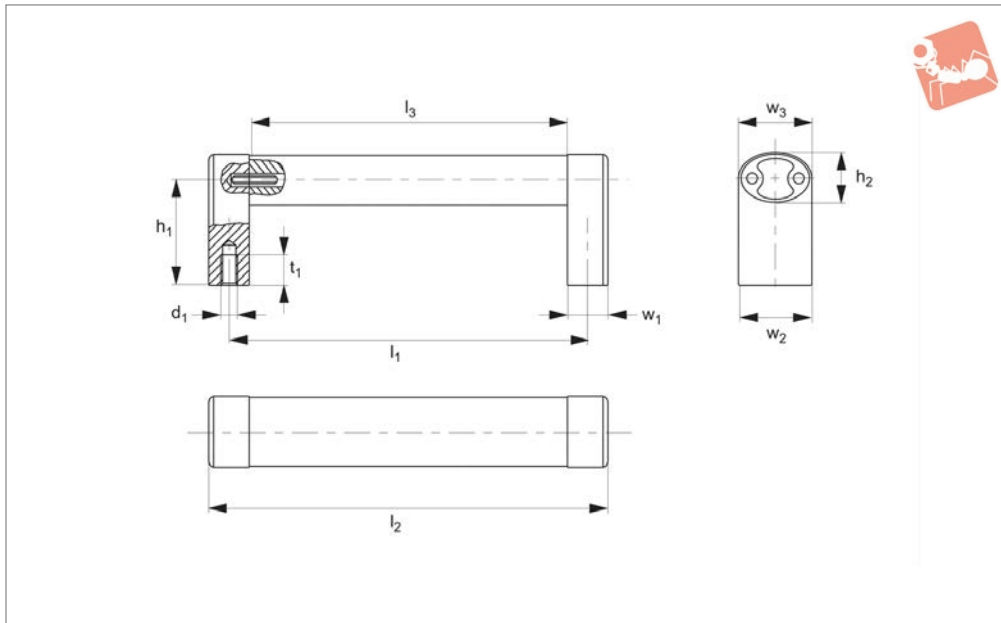
shank includes stainless steel cylinder head socket screws M6x45 DIN 912, nuts DIN 934 and washers DIN 125.

Order No.	Mounting type	Shank finish	Shank type	Tube finish	$l_1$	$l_2$	$l_3$
79270.W0020-1	Rear	Black	Narrow	Natural	200	225	175
79270.W0025-1	Rear	Black	Narrow	Natural	250	275	225
79270.W0030-1	Rear	Black	Narrow	Natural	300	325	275
79270.W0035-1	Rear	Black	Narrow	Natural	350	375	325
79270.W0040-1	Rear	Black	Narrow	Natural	400	425	375
79270.W0050-1	Rear	Black	Narrow	Natural	500	525	475
79270.W0060-1	Rear	Black	Narrow	Natural	600	625	575
79270.W0520-1	Rear	Black	Wide	Natural	200	250	150
79270.W0525-1	Rear	Black	Wide	Natural	250	300	200
79270.W0530-1	Rear	Black	Wide	Natural	300	350	250
79270.W0535-1	Rear	Black	Wide	Natural	350	400	300
79270.W0540-1	Rear	Black	Wide	Natural	400	450	350
79270.W0550-1	Rear	Black	Wide	Natural	500	550	450
79270.W0560-1	Rear	Black	Wide	Natural	600	650	550
79270.W0020-4	Front	Black	Narrow	Black	200	225	175
79270.W0025-4	Front	Black	Narrow	Black	250	275	225
79270.W0030-4	Front	Black	Narrow	Black	300	325	275
79270.W0035-4	Front	Black	Narrow	Black	350	375	325
79270.W0040-4	Front	Black	Narrow	Black	400	425	375
79270.W0050-4	Front	Black	Narrow	Black	500	525	475
79270.W0060-4	Front	Black	Narrow	Black	600	625	575

Order No.	$a_1$	$a_2$	$b_1$	$b_2$	$d_1$	$h_1$	$t_1$	$w_1$
79270.W0020-1	Ø30 x 1,5	33	15	45	M 8	50	15	25
79270.W0025-1	Ø30 x 1,5	33	15	45	M 8	50	15	25
79270.W0030-1	Ø30 x 1,5	33	15	45	M 8	50	15	25
79270.W0035-1	Ø30 x 1,5	33	15	45	M 8	50	15	25
79270.W0040-1	Ø30 x 1,5	33	15	45	M 8	50	15	25
79270.W0050-1	Ø30 x 1,5	33	15	45	M 8	50	15	25
79270.W0060-1	Ø30 x 1,5	33	15	45	M 8	50	15	25
79270.W0520-1	Ø30 x 1,5	33	15	45	M 8	50	15	50
79270.W0525-1	Ø30 x 1,5	33	15	45	M 8	50	15	50
79270.W0530-1	Ø30 x 1,5	33	15	45	M 8	50	15	50



Order No.	a <sub>1</sub>	a <sub>2</sub>	b <sub>1</sub>	b <sub>2</sub>	d <sub>1</sub>	h <sub>1</sub>	t <sub>1</sub>	w <sub>1</sub>
<b>79270.W0535-1</b>	Ø30 x 1,5	33	15	45	M 8	50	15	50
<b>79270.W0540-1</b>	Ø30 x 1,5	33	15	45	M 8	50	15	50
<b>79270.W0550-1</b>	Ø30 x 1,5	33	15	45	M 8	50	15	50
<b>79270.W0560-1</b>	Ø30 x 1,5	33	15	45	M 8	50	15	50
<b>79270.W0020-4</b>	Ø30 x 1,5	33	15	45	M 6 x 45	50	15	25
<b>79270.W0025-4</b>	Ø30 x 1,5	33	15	45	M 6 x 45	50	15	25
<b>79270.W0030-4</b>	Ø30 x 1,5	33	15	45	M 6 x 45	50	15	25
<b>79270.W0035-4</b>	Ø30 x 1,5	33	15	45	M 6 x 45	50	15	25
<b>79270.W0040-4</b>	Ø30 x 1,5	33	15	45	M 6 x 45	50	15	25
<b>79270.W0050-4</b>	Ø30 x 1,5	33	15	45	M 6 x 45	50	15	25
<b>79270.W0060-4</b>	Ø30 x 1,5	33	15	45	M 6 x 45	50	15	25



79280

PULL HANDLES

**Material**

Handle shank and connecting tube:  
extruded aluminium Al Mg Si 0,5. Anodised  
matt, natural or black.

**Technical Notes**

Minimum stress resistance >1000N.

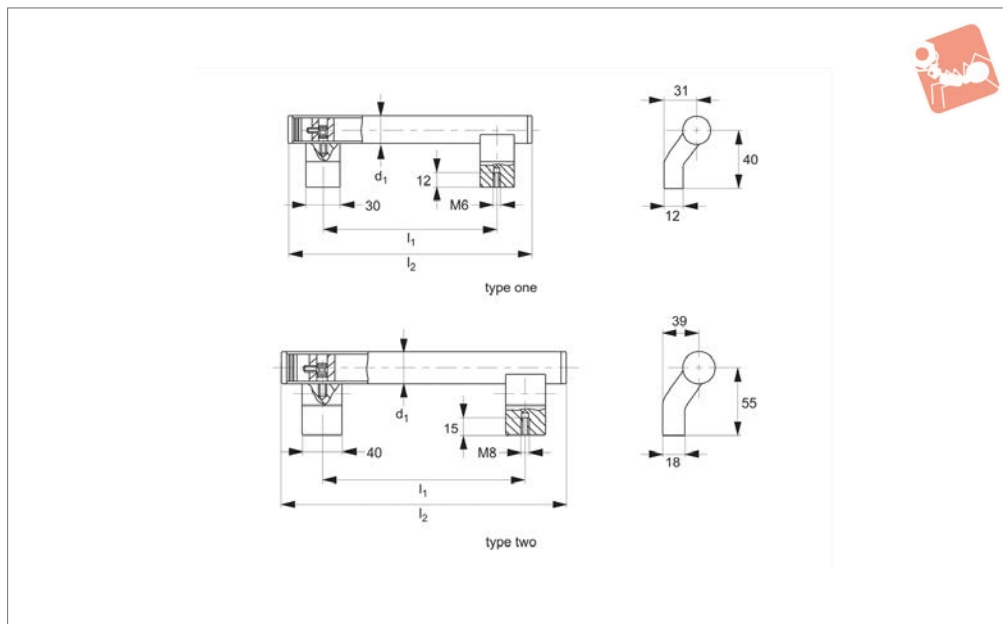
**Important Notes**

Other handle lengths or colour combina-  
tions on request.

Order No.	Colour	$l_1$	$l_2$	$l_3$	$d_1$	$h_1$	$h_2$	$t_1$	$w_1$	$w_2$	$w_3$
79280.W0200-1	Natural	200	220	180	M 8	52	25	15	20	36	35
79280.W0200-4	Black	200	220	180	M 8	52	25	15	20	36	35
79280.W0250-1	Natural	250	270	230	M 8	52	25	15	20	36	35
79280.W0250-4	Black	250	270	230	M 8	52	25	15	20	36	35
79280.W0300-1	Natural	300	320	280	M 8	52	25	15	20	36	35
79280.W0300-4	Black	300	320	280	M 8	52	25	15	20	36	35
79280.W0400-1	Natural	400	420	380	M 8	52	25	15	20	36	35
79280.W0400-4	Black	400	420	380	M 8	52	25	15	20	36	35
79280.W0500-1	Natural	500	520	480	M 8	52	25	15	20	36	35
79280.W0500-4	Black	500	520	480	M 8	52	25	15	20	36	35



**79290**



**Material**

Type one: handle shank and connecting tube - extruded aluminium Al Mg Si 0,5. Anodized, natural or black. Fixing sleeves of anodised aluminium, clamping screws and pegs made of stainless steel.

Type two: handle shank - extruded aluminium Al Mg Si 0,5, anodized black. Connecting tube: stainless steel.

**Technical Notes**

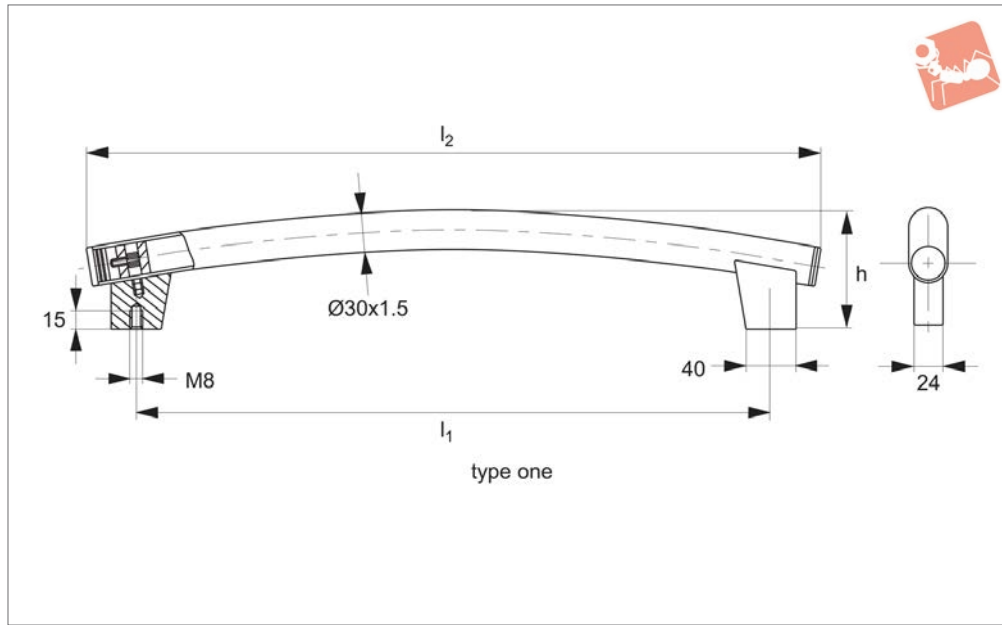
Minimum stress resistance >1000N.

**Important Notes**

Other handle lengths or colours combinations on request.

Order No.	Colour	Type	l <sub>1</sub>	l <sub>2</sub>	d <sub>1</sub>
79290.W0220-1	Natural	One	200	260	20 x 2,0
79290.W0220-4	Black	One	200	260	20 x 2,0
79290.W0225-1	Natural	One	250	310	20 x 2,0
79290.W0225-4	Black	One	250	310	20 x 2,0
79290.W0230-1	Natural	One	300	360	20 x 2,0
79290.W0230-4	Black	One	300	360	20 x 2,0
79290.W0330-1	Natural	Two	300	390	30 x 1,5
79290.W0330-4	Black	Two	300	390	30 x 1,5
79290.W0335-1	Natural	Two	350	440	30 x 1,5
79290.W0335-4	Black	Two	350	440	30 x 1,5
79290.W0340-1	Natural	Two	400	490	30 x 1,5
79290.W0340-4	Black	Two	400	490	30 x 1,5
79290.W0350-1	Natural	Two	500	590	30 x 1,5
79290.W0350-4	Black	Two	500	590	30 x 1,5
79290.W0360-1	Natural	Two	600	690	30 x 1,5
79290.W0360-4	Black	Two	600	690	30 x 1,5





79310

PULL HANDLES

**Material**

Connecting tube: stainless steel fine ground, material 1.4301. Tube Ø30 x 1.5mm, end caps material no 1.4305, stainless steel, fine ground.

Tube holders: aluminium, AlMgSi 0.5 powder coated with fine structure.

design. Minimum stress resistance > 1000N.

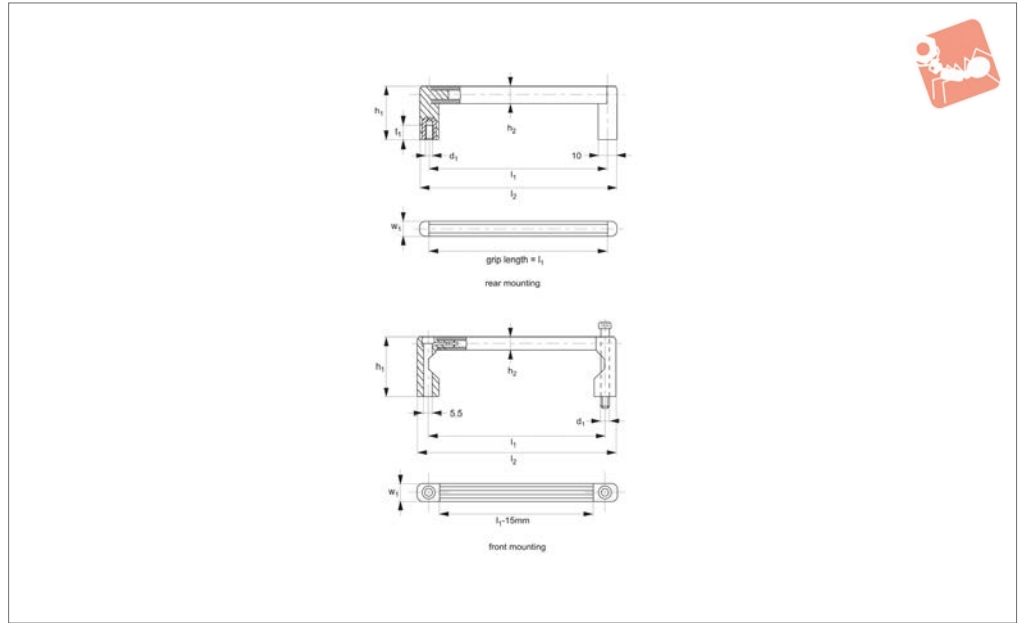
**Technical Notes**

Bent tube handle in modern industrial

Order No.	Type	$l_1$	$l_2$	h
79310.W0500	One	500	600	90
79310.W0600	One	600	700	100



## 79350



### Material

Connection tube: special aluminium section, matt finishing in natural colour or black anodized.

Handle shank: heavy-duty polyamide,

glass bead reinforced with fine structure and brass threaded bush. Screw attachment from front, steel plate reinforced.

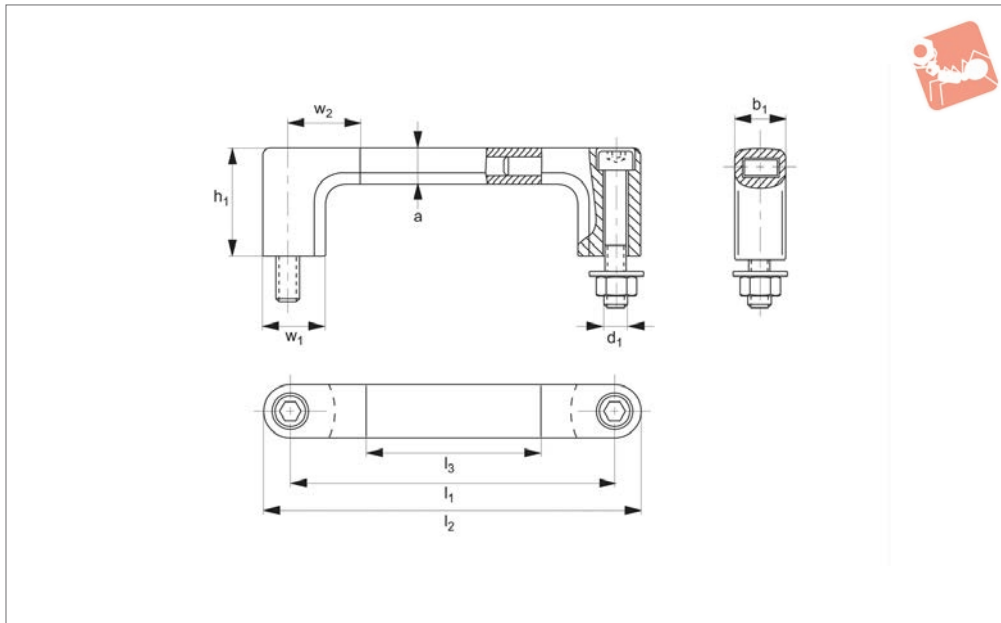
### Technical Notes

Minimum stress resistance 200N.

### Tips

For small appliances, front panels and

Order No.	Colour	Type	$l_1$	$l_2$	$d_1$	$h_1$	$h_2$	$t_1$	$w_1$
79350.W0032-1	Natural	Rear Mounting	32	42	M 4	30	9	8	8
79350.W0055-1	Natural	Rear Mounting	55	65	M 4	30	9	8	8
79350.W0062-1	Natural	Rear Mounting	62	72	M 4	30	9	8	8
79350.W0086-1	Natural	Rear Mounting	86	96	M 4	30	9	8	8
79350.W0088-1	Natural	Rear Mounting	88	98	M 4	30	9	8	8
79350.W0090-1	Natural	Rear Mounting	90	100	M 4	30	9	8	8
79350.W0120-1	Natural	Rear Mounting	120	130	M 4	30	9	8	8
79350.W0134-1	Natural	Rear Mounting	134	144	M 4	30	9	8	8
79350.W0032-4	Black	Rear Mounting	32	42	M 4	30	9	8	8
79350.W0055-4	Black	Rear Mounting	55	65	M 4	30	9	8	8
79350.W0062-4	Black	Rear Mounting	62	72	M 4	30	9	8	8
79350.W0086-4	Black	Rear Mounting	86	96	M 4	30	9	8	8
79350.W0088-4	Black	Rear Mounting	88	98	M 4	30	9	8	8
79350.W0090-4	Black	Rear Mounting	90	100	M 4	30	9	8	8
79350.W0120-4	Black	Rear Mounting	120	130	M 4	30	9	8	8
79350.W0134-4	Black	Rear Mounting	134	144	M 4	30	9	8	8
79350.W0255-1	Natural	Front Mounting	55	70	M 5	40	9	-	12
79350.W0288-1	Natural	Front Mounting	88	103	M 5	40	9	-	12
79350.W0300-1	Natural	Front Mounting	100	115	M 5	40	9	-	12
79350.W0320-1	Natural	Front Mounting	120	135	M 5	40	9	-	12
79350.W0380-1	Natural	Front Mounting	180	195	M 5	40	9	-	12
79350.W0435-1	Natural	Front Mounting	235	250	M 5	40	9	-	12
79350.W0255-4	Black	Front Mounting	55	70	M 5	40	9	-	12
79350.W0288-4	Black	Front Mounting	88	103	M 5	40	9	-	12
79350.W0300-4	Black	Front Mounting	100	115	M 5	40	9	-	12
79350.W0320-4	Black	Front Mounting	120	135	M 5	40	9	-	12
79350.W0380-4	Black	Front Mounting	180	195	M 5	40	9	-	12
79350.W0435-4	Black	Front Mounting	235	250	M 5	40	9	-	12



## 79360

PULL HANDLES

### Material

Connection shank: die-cast aluminium, black powder coated, semi-matte.  
 Connection tube: die-cast aluminium, anodised, natural, satin finish. RAL 7043.

### Technical Notes

Supplied with hex screw DIN 912, M12x70

with suitable nuts and washers.  
 Minimum stress resistance >1000N.

### Tips

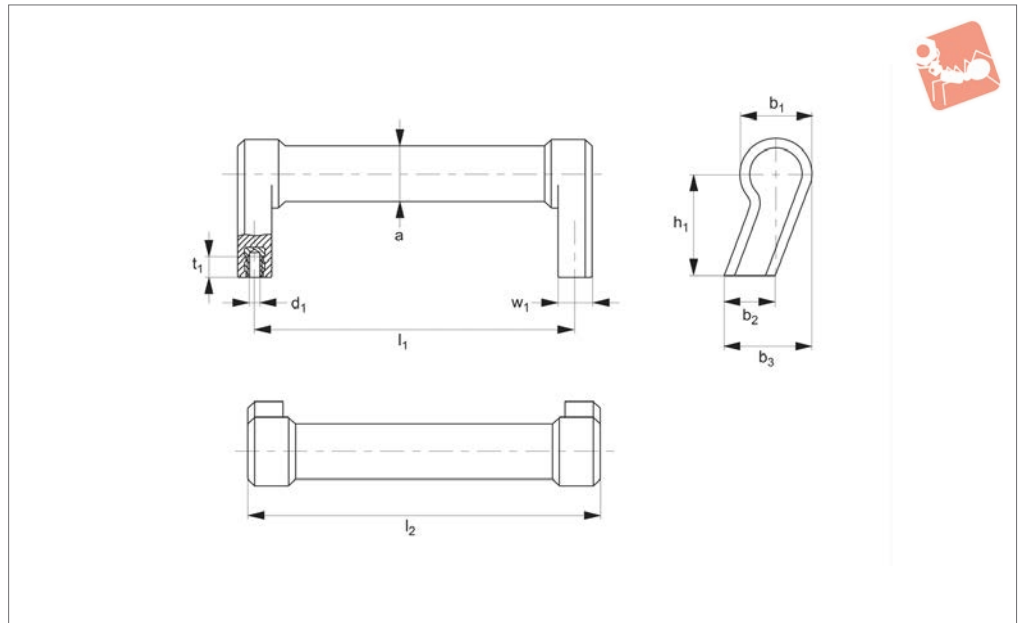
Machine, instrument and equipment handles for universal use and for any hole spacing.  
 Extra rugged design. Handle ledge and

elbow section plug press-connected.

Order No.	$l_1$	$l_2$	$l_3$	$a_1$	$b_1$	$d_1$	$h_1$	$w_1$	$w_2$
79360.W0180	180	208	100	20	28	M 12	60	34	40
79360.W0200	200	228	220	20	28	M 12	60	34	40
79360.W0250	250	278	170	20	28	M 12	60	34	40
79360.W0300	300	328	220	20	28	M 12	60	34	40
79360.W0350	350	378	270	20	28	M 12	60	34	40
79360.W0400	400	428	320	20	28	M 12	60	34	40
79360.W0500	500	528	420	20	28	M 12	60	34	40
79360.W0600	600	628	520	20	28	M 12	60	34	40



79380



**Material**

Handle of polyamide PA 6, glass ball reinforced with threaded brass bushings.

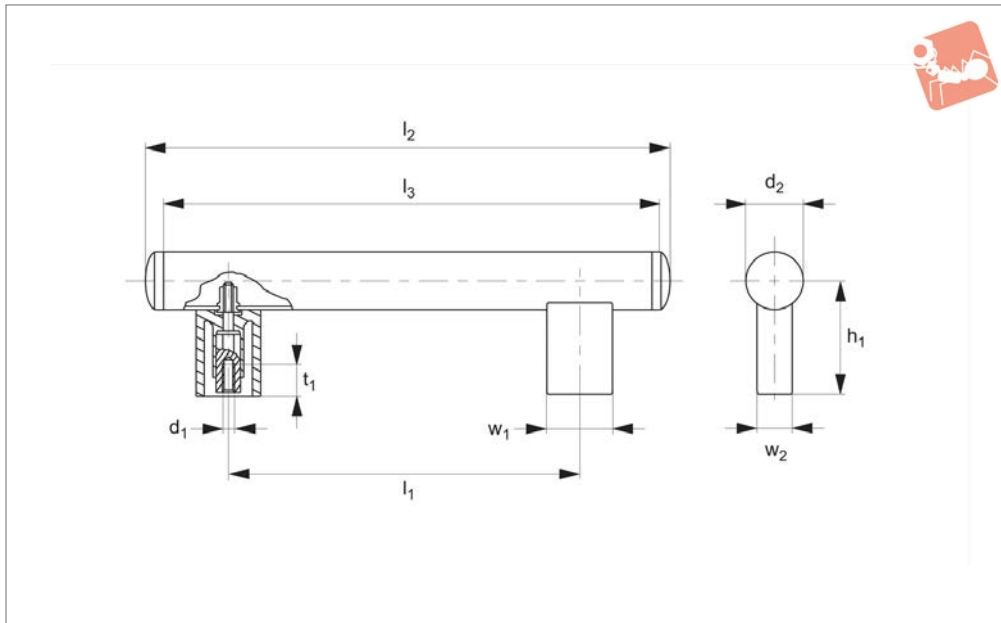
Black or light grey semi matte with fine-grain structure.

**Technical Notes**

Stress resistance: min. 1000N.

Order No.	Finish	$l_1$	$l_2$	$a$	$b_1$	$b_2$	$b_3$	$d_1$	$h_1$	$t_1$	$w_1$
79380.W0140-4	Black	140	155	Ø24	30	22	37	M 6	45	9	15
79380.W0140-7	Light grey	140	155	Ø24	30	22	37	M 6	45	9	15





**79400**

PULL HANDLES

### Material

Connection shank: Polyamide (PA 6), glass bead reinforced, black, semi-matte. With steel threaded insert.

Connection tube: aluminium Al Mg Si 0,5, Ø30x1,5mm. Precision ground and

anodised.

### Technical Notes

Minimum stress resistance 800N.

### Tips

Screwed connection from the shank to the

tube with non-detachable blind rivet to prevent it being pulled off.

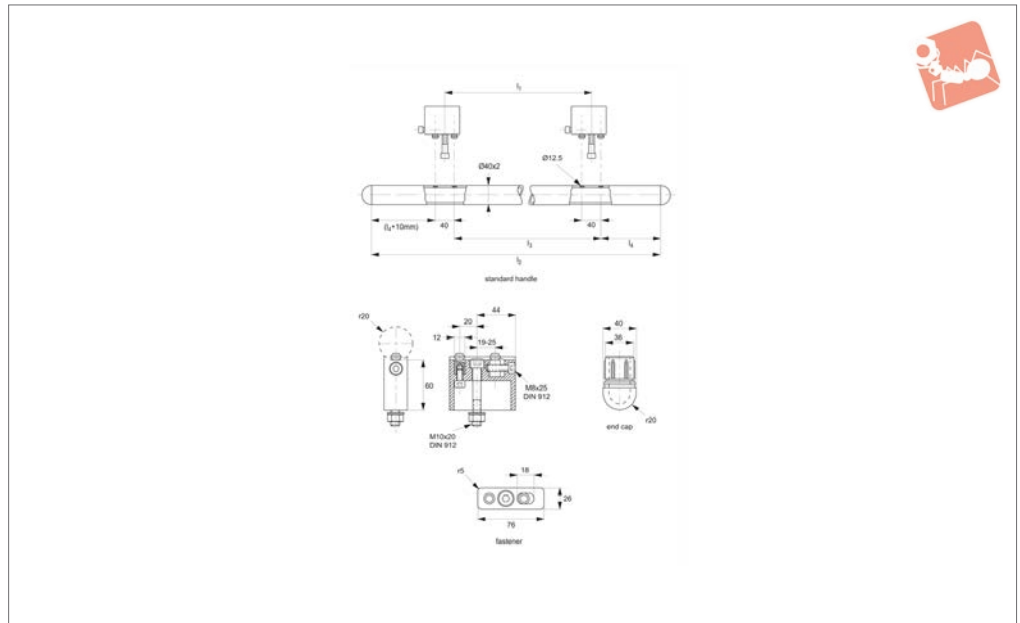
### Important Notes

Handle lengths and screw down spacers available as required on request.

Order No.	Colour	$l_1$	$l_2$	$l_3$	$d_1$	$d_2$	$h_1$	$t_1$	$w_1$	$w_2$
79400.W0200-1	Natural	200	288	270	M 6	30 x 1,5	60	17	34	20
79400.W0200-4	Black	200	288	270	M 6	30 x 1,5	60	17	34	20
79400.W0250-1	Natural	250	338	320	M 6	30 x 1,5	60	17	34	20
79400.W0250-4	Black	250	338	320	M 6	30 x 1,5	60	17	34	20
79400.W0300-1	Natural	300	388	370	M 6	30 x 1,5	60	17	34	20
79400.W0300-4	Black	300	388	370	M 6	30 x 1,5	60	17	34	20
79400.W0350-1	Natural	350	438	420	M 6	30 x 1,5	60	17	34	20
79400.W0350-4	Black	350	438	420	M 6	30 x 1,5	60	17	34	20
79400.W0400-1	Natural	400	488	470	M 6	30 x 1,5	60	17	34	20
79400.W0400-4	Black	400	488	470	M 6	30 x 1,5	60	17	34	20
79400.W0500-1	Natural	500	588	570	M 6	30 x 1,5	60	17	34	20
79400.W0500-4	Black	500	588	570	M 6	30 x 1,5	60	17	34	20



### 79410



PULL HANDLES

#### Material

Connection shank: die-cast aluminium, black powder coated, silk matte.  
 Connection tube: stainless steel 1.4301, Ø40x2, precision ground.  
 End cap: polyamide (PA 6), glass ball reinforced, black, silk matte.

#### Technical Notes

Simplest fixing of components from the front. The same length handle can be fixed at any support spacing.  
 Minimum stress resistance >1000N.

#### Tips

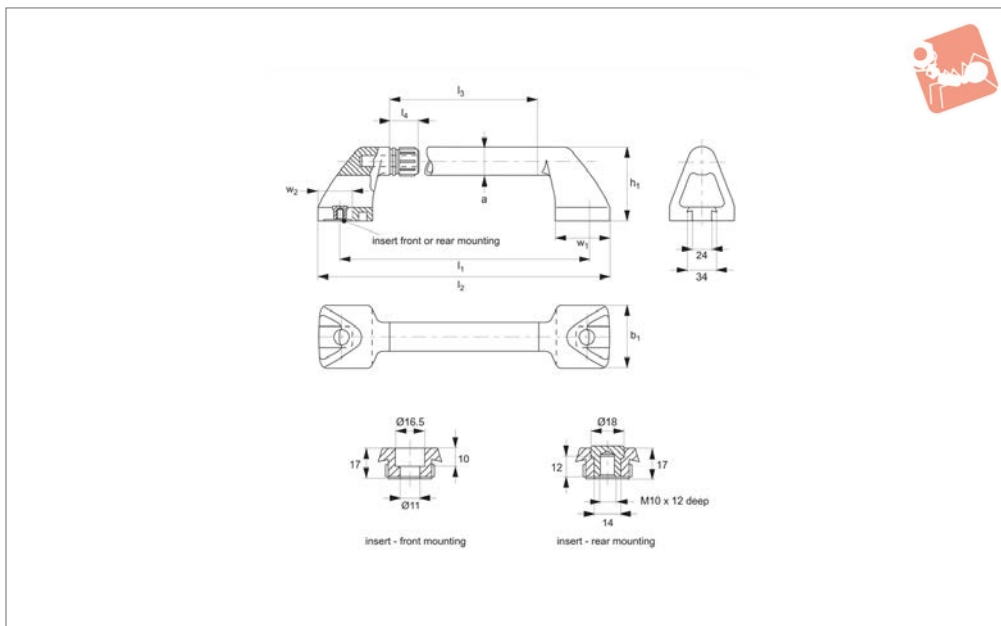
Heavy-duty pipe handles for mechanical and process equipment engineering purposes. Part nos. 79410.W0380 to .W0700 supplied complete with two fasteners and end caps.

Order No.	Type	l <sub>1</sub>	l <sub>2</sub>	l <sub>3</sub>	l <sub>4</sub>
79410.W0380	Handle	380	600	380	85
79410.W0480	Handle	480	700	480	85
79410.W0500	Handle	500	800	500	125
79410.W0600	Handle	600	900	600	125
79410.W0700	Handle	700	1000	700	125
79410.W0901	Fastener	-	-	-	-
79410.W0902	End Cap	-	-	-	-



# Pull Handles - Heavy Duty

stainless steel and plastic



**79420**

PULL HANDLES

### Material

Handle shank: polyamide (PA 6), glass ball reinforced, black, silk matte finish.  
 Connection tube: stainless steel 1.4301 AISI 304, pipe Ø35x2mm, precision ground.

### Technical Notes

Front mounting: supplied with stainless

steel hex screws DIN 912, M10x25 and suitable nuts and washers.

Rear mounting: no screws supplied.  
 Minimum stress resistance >1000N.

### Tips

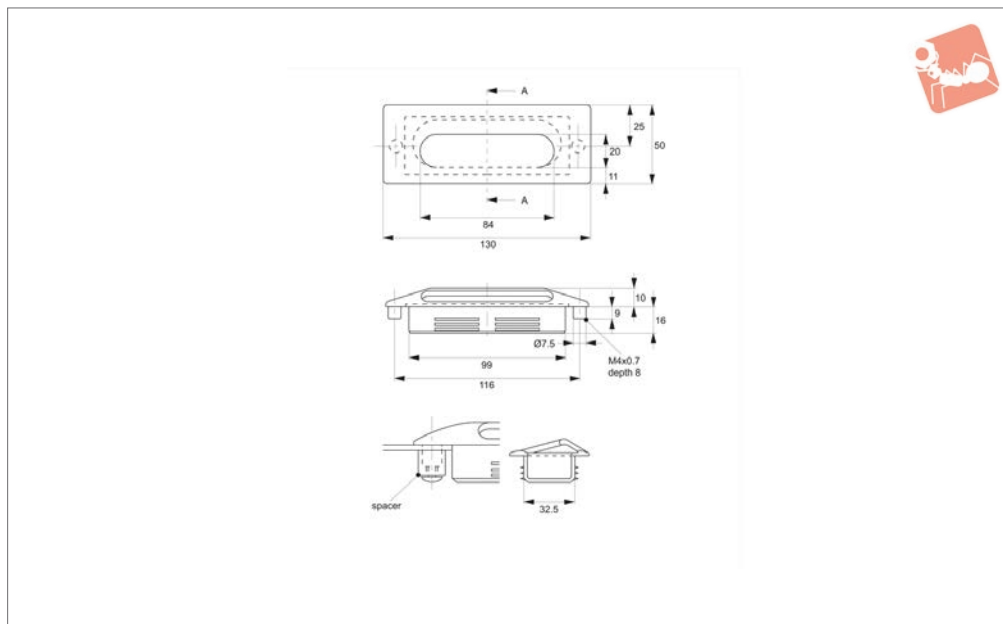
Clamp ridges on handle shanks hold connection tube firmly, O-rings provide splash proof water tight seal. Any handle

length on request.

Order No.	Type	$l_1$	$l_2$	$l_3$	$l_4$	$a$	$b_1$	$h_1$	$w_1$	$w_2$
79420.W0300	Front Mounting	300	350	180	35	35 x 2	80	90	62	40
79420.W0301	Rear Mounting	300	350	180	35	35 x 2	80	90	62	40
79420.W0350	Front Mounting	350	400	230	35	35 x 2	80	90	62	40
79420.W0351	Rear Mounting	350	400	230	35	35 x 2	80	90	62	40
79420.W0400	Front Mounting	400	450	280	35	35 x 2	80	90	62	40
79420.W0401	Rear Mounting	400	450	280	35	35 x 2	80	90	62	40
79420.W0450	Front Mounting	450	500	330	35	35 x 2	80	90	62	40
79420.W0451	Rear Mounting	450	500	330	35	35 x 2	80	90	62	40
79420.W0500	Front Mounting	500	550	380	35	35 x 2	80	90	62	40
79420.W0501	Rear Mounting	500	550	380	35	35 x 2	80	90	62	40
79420.W0600	Front Mounting	600	650	480	35	35 x 2	80	90	62	40
79420.W0601	Rear Mounting	600	650	480	35	35 x 2	80	90	62	40
79420.W0700	Front Mounting	700	750	580	35	35 x 2	80	90	62	40
79420.W0701	Rear Mounting	700	750	580	35	35 x 2	80	90	62	40
79420.W0800	Front Mounting	800	850	680	35	35 x 2	80	90	62	40
79420.W0801	Rear Mounting	800	850	680	35	35 x 2	80	90	62	40
79420.W0901	Handle Shank	-	-	-	-	-	-	-	-	-
79420.W0902	Front Mounting Insert	-	-	-	-	-	-	-	-	-
79420.W0903	Rear Mounting Insert	-	-	-	-	-	-	-	-	-



79440



**Material**

Body: black plastic.

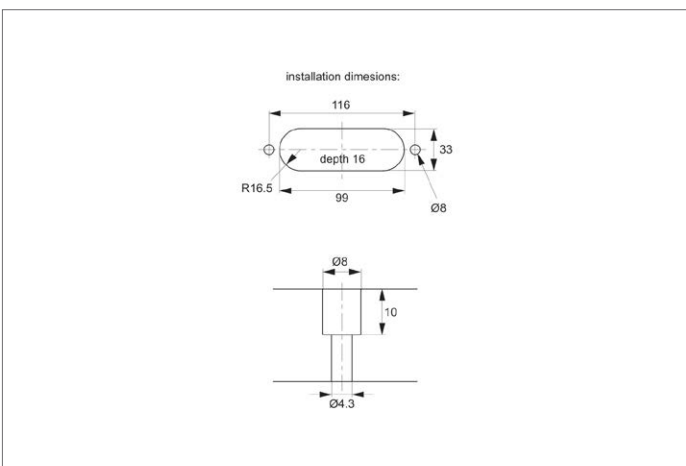
Cover: zinc alloy, chrome, satin nickel or

satin brass finish.

**Technical Notes**

Supplied with spacer and screws (M4x8).

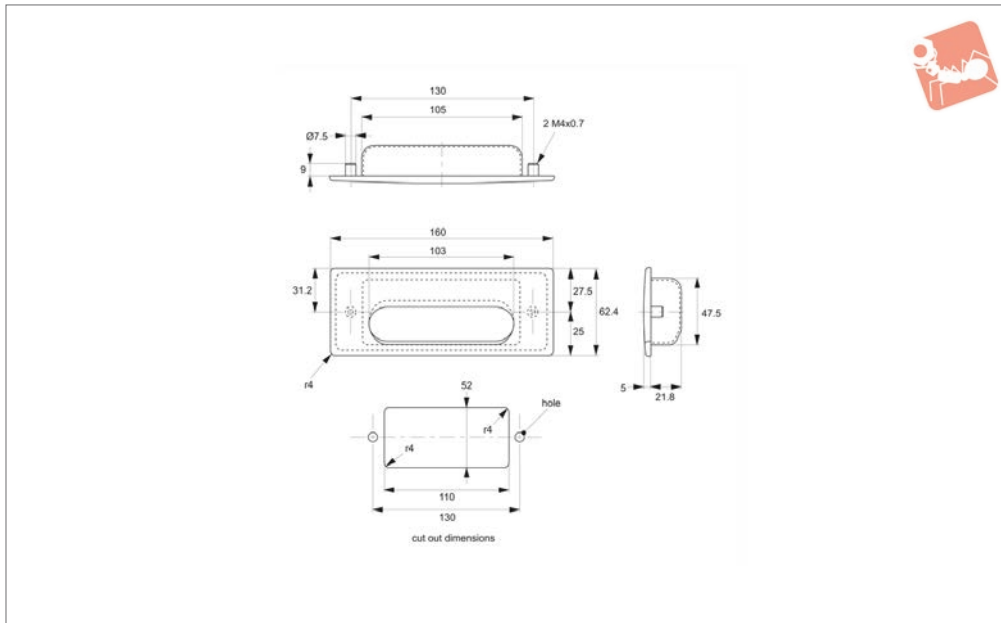
Order No.	Finish	Weight g
79440.W0130	Chrome	105
79440.W0131	Nickel, Satin	105
79440.W0132	Brass, Satin	105







# Recessed Pull Handles stainless steel



## 79460

PULL HANDLES

### Material

AISA 304 stainless steel, satin finish.

### Technical Notes

M 4 mounting screws required, not

supplied.

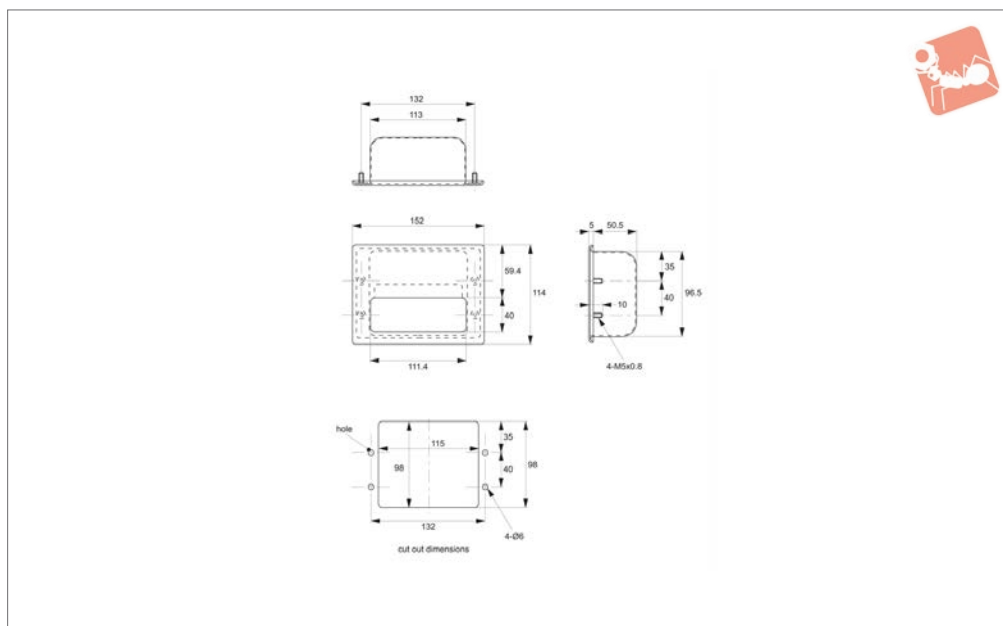
### Important Notes

Ideal for harsh and high corrosive environments.

Order No.	Type	Weight g
79460.W0160	Stainless Steel	260



**79470**



**Material**

AISI 304 stainless steel, satin finish.

**Technical Notes**

Supplied with stainless steel M 5 nut.

**Order No.**

79470.W0150

**Finish**

Stainless Steel

**Weight**

g  
390

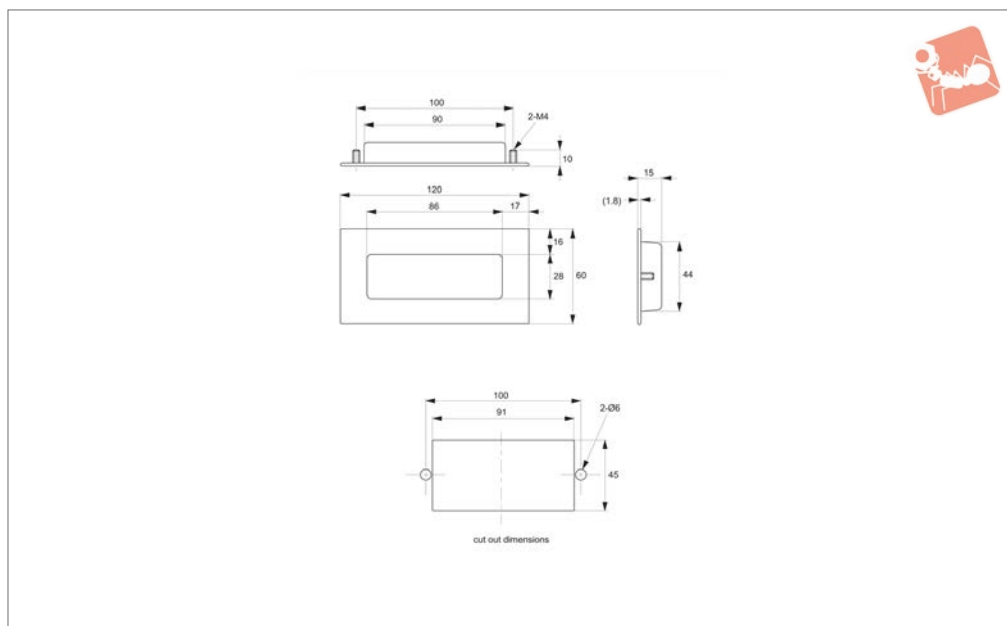


# Pull Handles - Recessed

stainless steel - rear mounting



## Pull Handles



### 79480

PULL HANDLES

#### Material

Stainless steel, AISI 304, satin finish.

#### Technical Notes

Supplied with stainless steel M 4 nut.

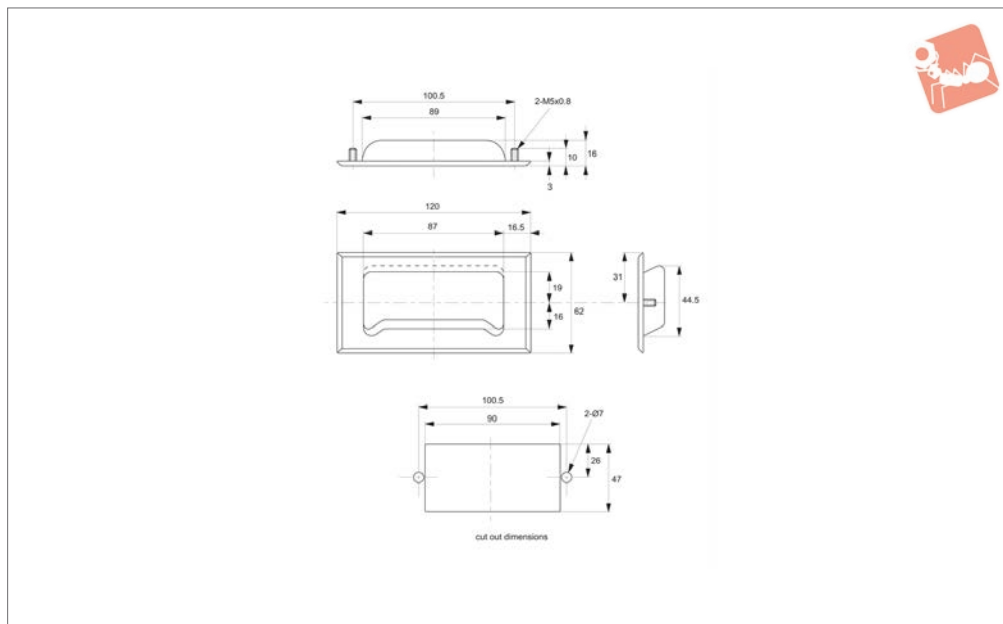
Order No.	Finish	Weight
79480.W0010	Stainless Steel	g 50



PULL HANDLES



**79490**



**Material**

AISI 304 stainless steel, satin finish.

**Technical Notes**

Supplied with clear zinc chromate M 5 nuts.

**Order No.**

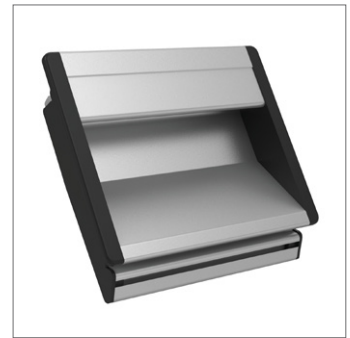
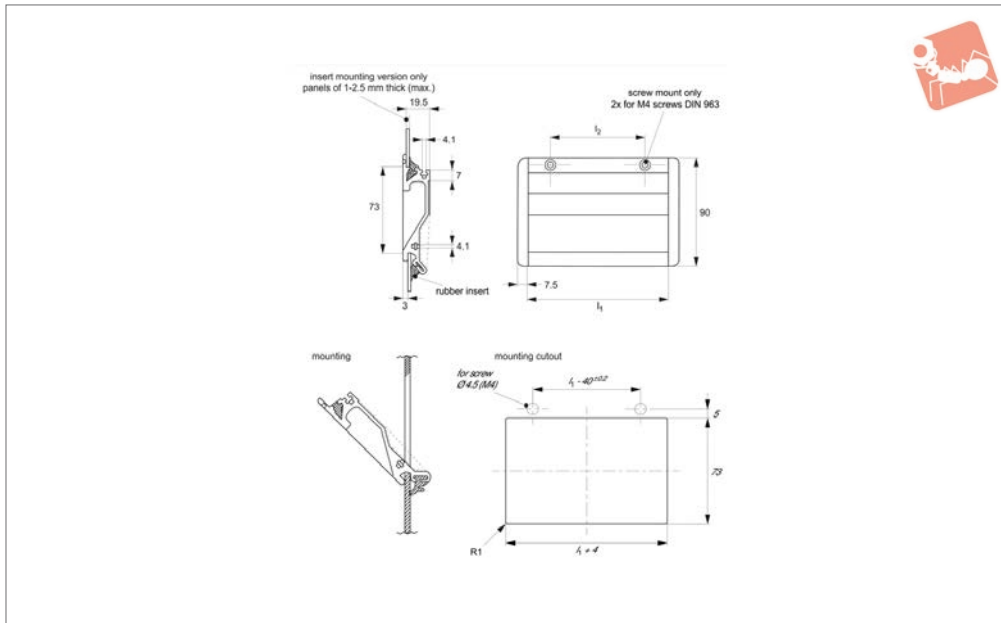
79490.W0010

**Finish**

Stainless Steel

**Weight**

g  
50



**79500**

PULL HANDLES

### Material

Profiled aluminium, with black polyamide end caps PA 6. Handle glass blasted and anodised, natural or black, satin finish.

### Technical Notes

Two possible mounting options:

#### 1) Mounting via screws (for panels

>2,5mm thick): two countersunk holes for DIN966, M4x8 included on model.

#### 2) Mounting via rubber insert (for panels

**1 to 2,5mm thick):** additional rubber insert at top of the handle pushes in from the back, securing the handle. Minimum stress resistance 500N.

### Tips

#### Mounting method:

- Make mounting cut-out in panel/material.
- Insert bottom rubber insert.
- Attach end caps.

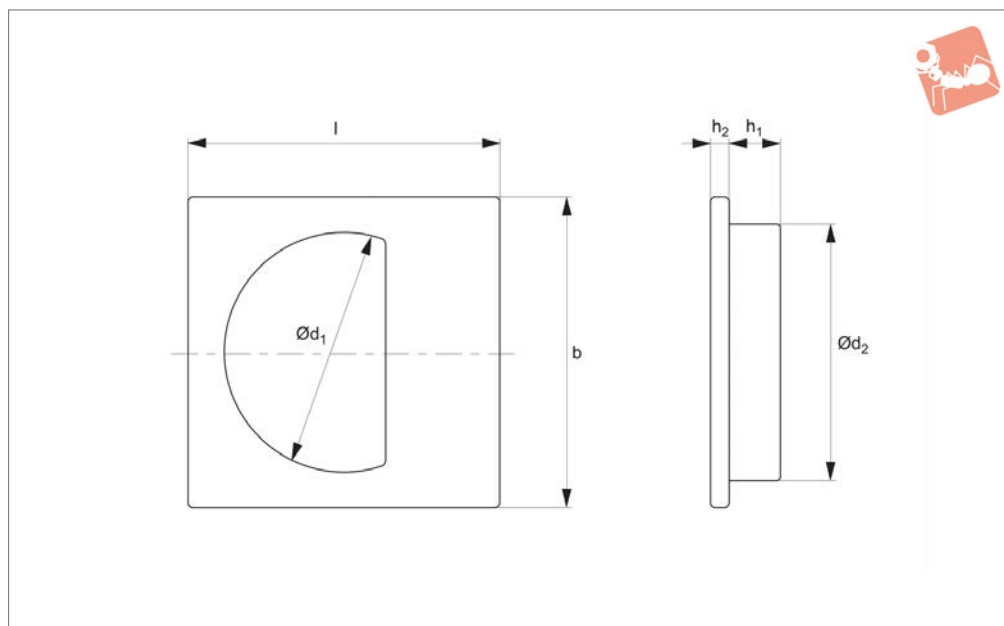
- Press handle over lower edge of mounting cut-out at a 45° angle, ensuring correct position of rubber insert on the inside of the cut-out.

- If using additional rubber insert for mounting, hold handle against cut-out and fit insert. Alternatively use two countersunk screws with spacing equal to  $l_1 - 40$ mm (as shown).

Order No.	Type	Finish	$l_1$	$l_2$	Mounting cutout
79500.W0100-1	Screw	Silver	100	60	104x73
79500.W0100-4	Screw	Black	100	60	104x73
79500.W0118-1	Screw	Silver	118	78	122x73
79500.W0118-4	Screw	Black	118	78	122x73
79500.W0167-1	Screw	Silver	167	127	171x73
79500.W0167-4	Screw	Black	167	127	171x73
79500.W0500-1	Insert	Silver	100	60	104x73
79500.W0500-4	Insert	Black	100	60	104x73
79500.W0618-1	Insert	Silver	118	78	122x73
79500.W0618-4	Insert	Black	118	78	122x73
79500.W0667-1	Insert	Silver	167	127	171x73
79500.W0667-4	Insert	Black	167	127	171x73



**79510**



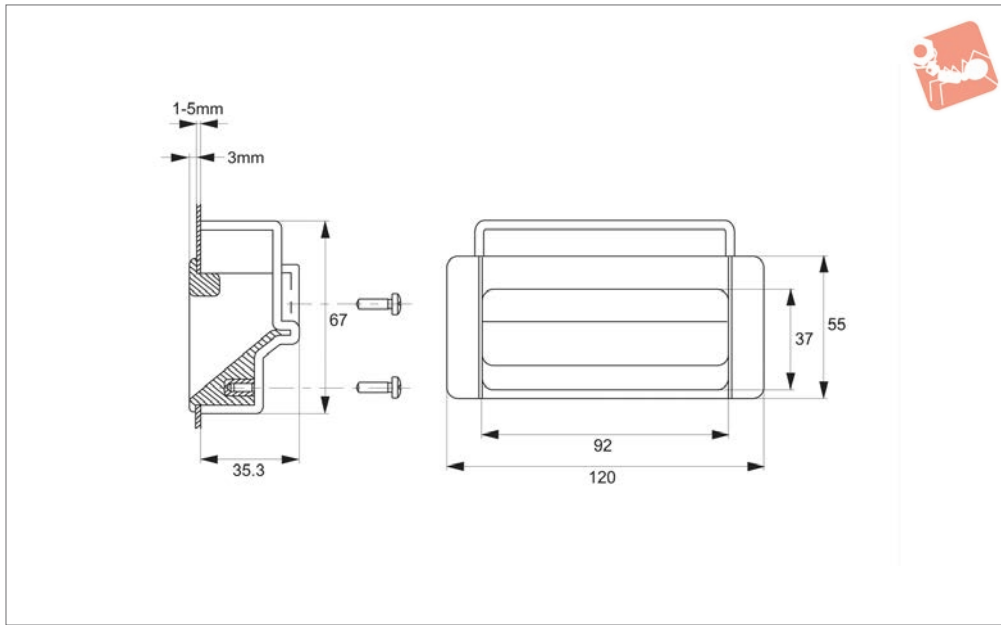
**Material**

Stainless type: AISI 304 stainless steel, polished.

**Technical Notes**

Press fit.

Order No.	Finish	l	b	h <sub>1</sub>	h <sub>2</sub>	Ø d <sub>1</sub>	Ø d <sub>2</sub>	Weight g
79510.W0035	Stainless	44	44	9.8	2.2	31	35.1	10
79510.W0038	Stainless	47	47	10.3	2.2	34	37.6	11
79510.W0048	Stainless	57	57	10.3	2.2	44	48.6	16



## 79520

PULL HANDLES

### Material

Thermoplastic PA 6, glass bead reinforcement, fine-grain structure.  
Threaded brass insert.

### Technical Notes

Mounting: the front section is first set into

the mounting cut-out. The rear section is then fitted to front section from the interior of the panel, and fixed with three screws (supplied).  
Minimum stress resistance 1000N.

### Tips

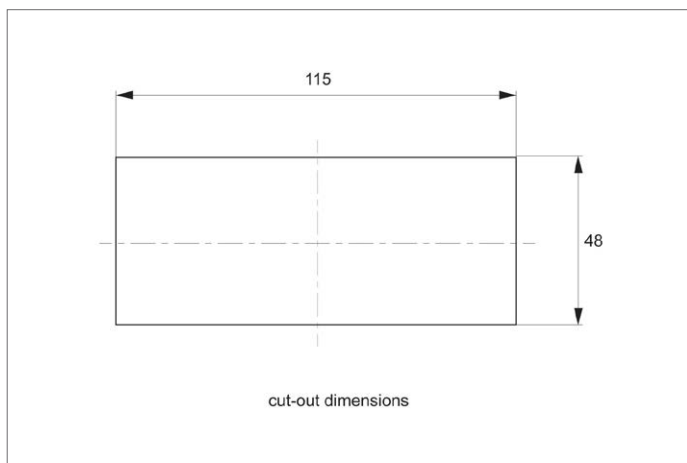
This handle is suitable for different degrees of panel thickness 1 to 5mm. Its design guarantees that it fits securely at all times.

### Order No.

79520.W0107  
79520.W0108  
79520.W0109

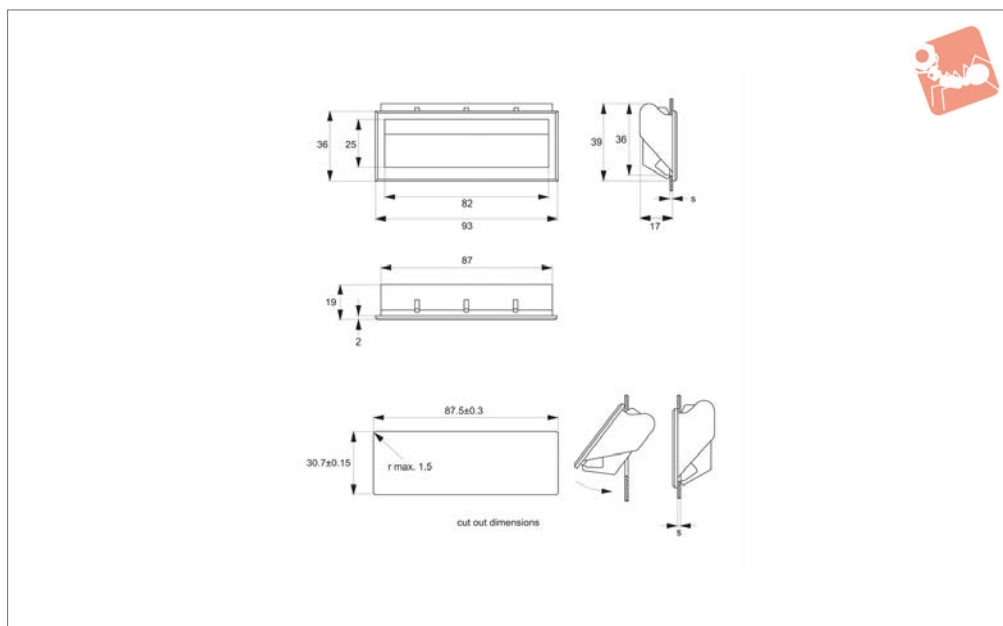
### Finish

Stone Grey  
Light Grey  
Greyish White





**79522**



**Material**

ABS resin, black, similar to RAL 9005, with fine structure on the visible surfaces.

**Technical Notes**

Flush inset handle for lifting and pulling. Unilateral, tool-less single-hole installation through self-locking, recessed handle.

Stress resistance: min. 400N when installed in 1,2mm sheet steel. Max. values depend on the strength of the mounting wall.

**Tips**

Assembly: place the trough inset handle in the cutout, so that the upper edge of the

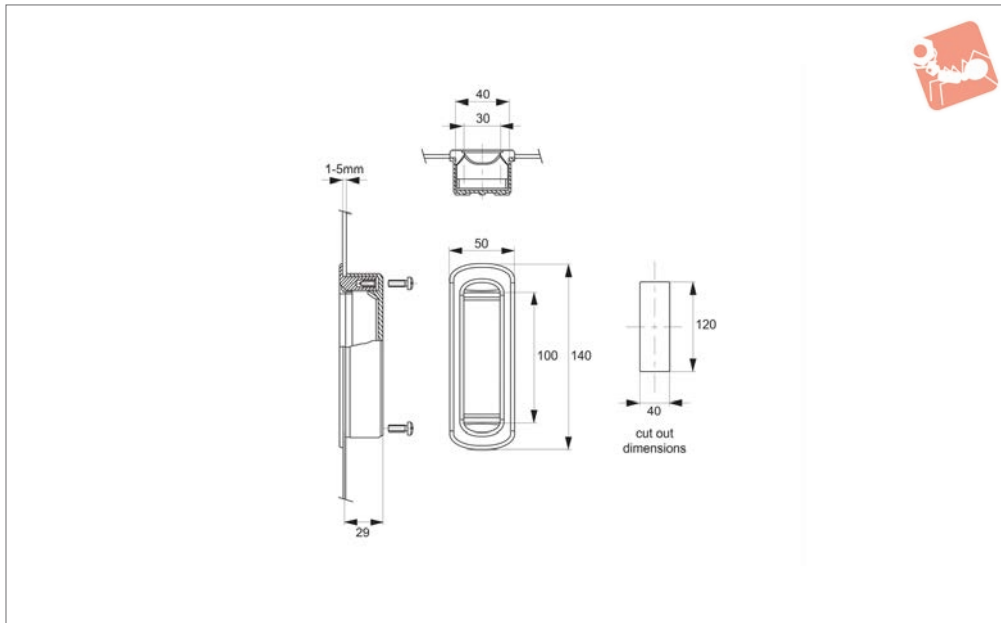
cutout lies in the gap being the face of the handle. Then press the bottom edge of the handle into the cutout until it clearly locks into place.

**Order No.**

**Panel thickness s mm**

<b>79522.W0100</b>	1,0-1,4
<b>79522.W0140</b>	1,4-1,8
<b>79522.W0180</b>	1,8-2,1
<b>79522.W0210</b>	2,1-2,5





## 79530

PULL HANDLES

### Material

Thermoplast (PA 6), glass bead reinforced. Threaded brass insert. Supplied with four oval-head screws to DIN 7985.

the mounting cut-out. The rear section is then fitted to front section from the interior of the panel, and fixed with four screws (supplied).

1 to 5mm thick.

### Technical Notes

Mounting: the front section is first set into

### Tips

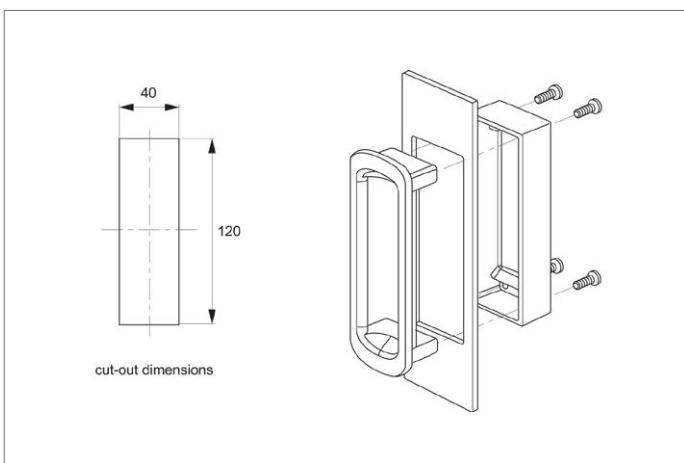
Simple and stable design for use on panels

### Order No.

- 79530.W0107
- 79530.W0108
- 79530.W0109
- 79530.W0110

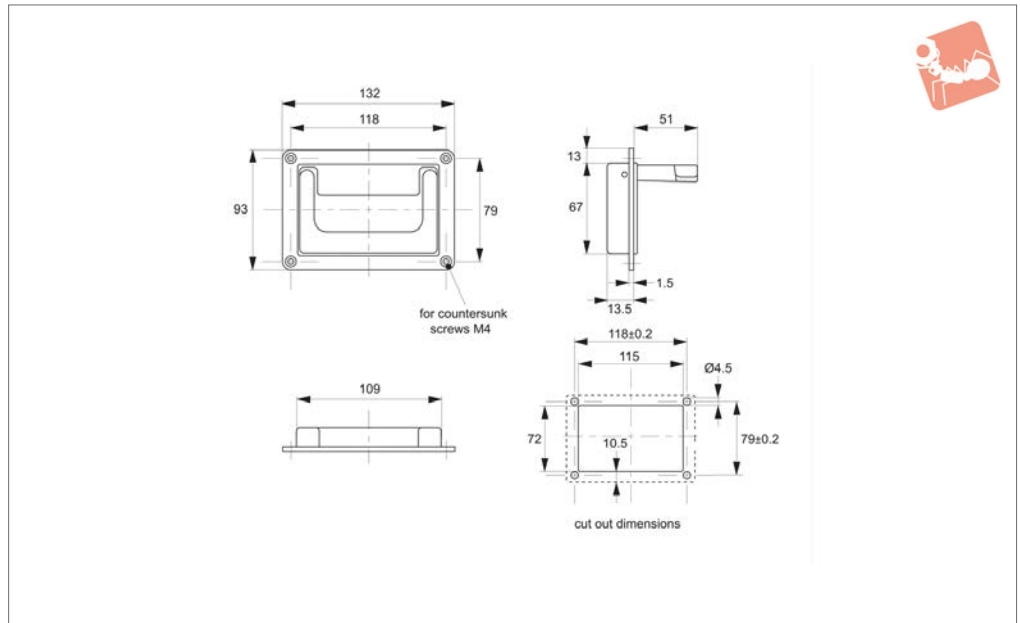
### Finish

- Stone Grey
- Light Grey
- Greyish White
- Black





**79540**



**Material**

Stainless steel. AISI 304, polished.

**Technical Notes**

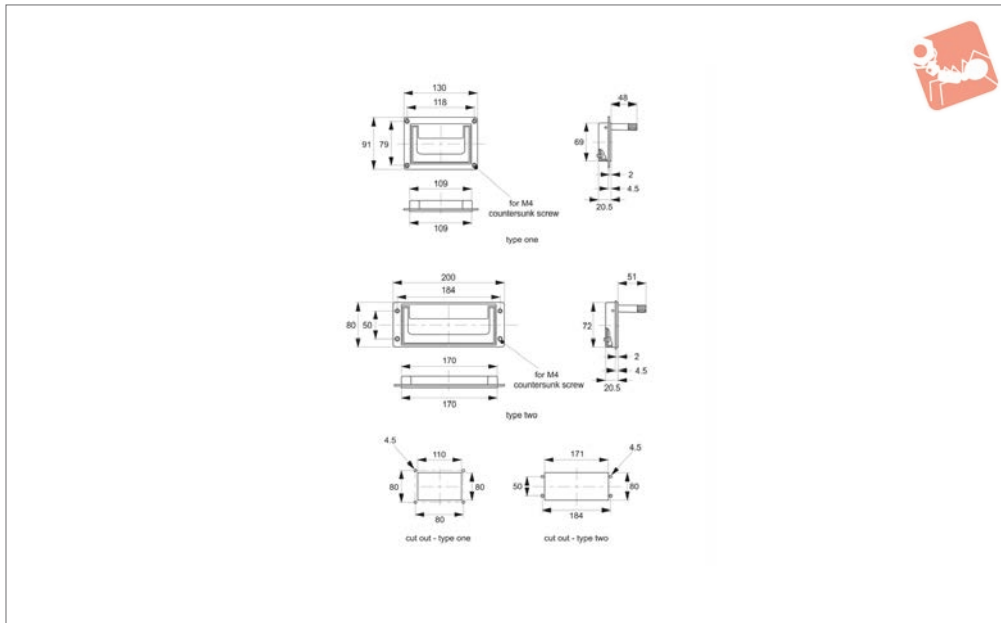
Spring return handle, returns from working

to resting position when released.

See cut-out details for mounting dimensions.

Stress resistance: min. 200N

Order No.	Type	Finish	Hole centres
79540.W0118	Spring Return	Electropolished	118
79540.W0218	Spring Return	Brushed	118



## 79550

PULL HANDLES

### Material

Pressure moulded aluminium, GD Al Si dCu 3.

### Technical Notes

#### Snap-lock type-

with snap lock in both extended and retracted position.

Pull-back type-

with spring retraction from extended to retracted position.

Front or rear mounting possible. Natural finger profiling within the hinged handle. Can also be used for lifting in the retracted position.

Minimum stress resistance 500N.

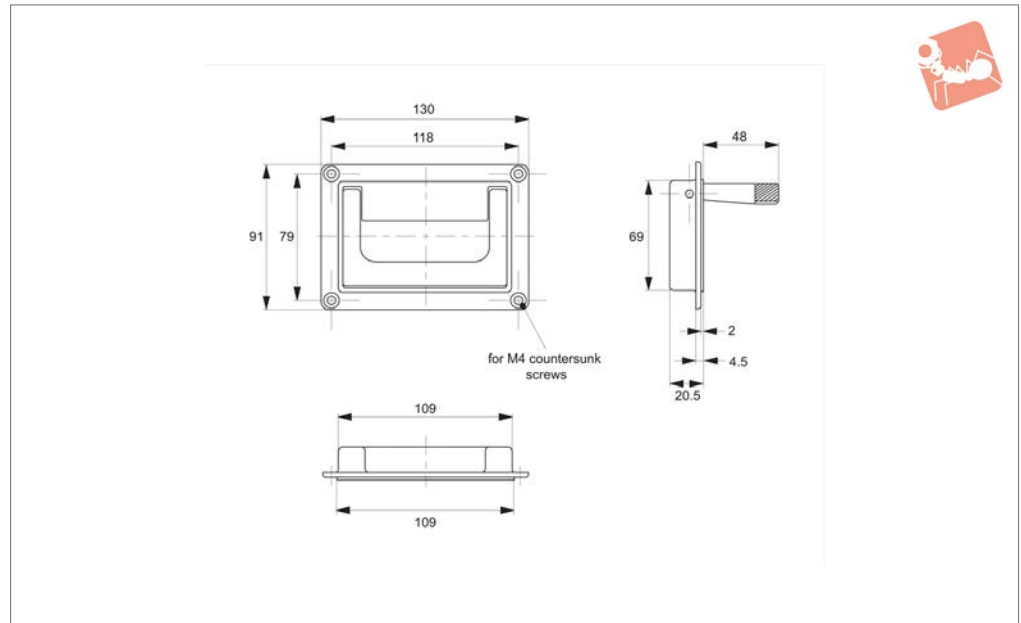
### Tips

Collapsible tray handles are of contemporary design and can be used wherever durability and styling are required.

Order No.	Type	Handle action	Finish
79550.W0118-4	Type One	Snap Lock	Black
79550.W0118-7	Type One	Snap Lock	Light Grey
79550.W0118-9	Type One	Snap Lock	Greyish White
79550.W0119-4	Type One	Pull Back	Black
79550.W0119-7	Type One	Pull Back	Light Grey
79550.W0119-9	Type One	Pull Back	Greyish White
79550.W0184-4	Type Two	Snap Lock	Black
79550.W0184-7	Type Two	Snap Lock	Light Grey
79550.W0184-9	Type Two	Snap Lock	Greyish White
79550.W0185-4	Type Two	Pull Back	Black
79550.W0185-7	Type Two	Pull Back	Light Grey
79550.W0185-9	Type Two	Pull Back	Greyish White



**79552**



**Material**

Tray and handle made of polyamide Pa 6, black similar to RAL 9005.

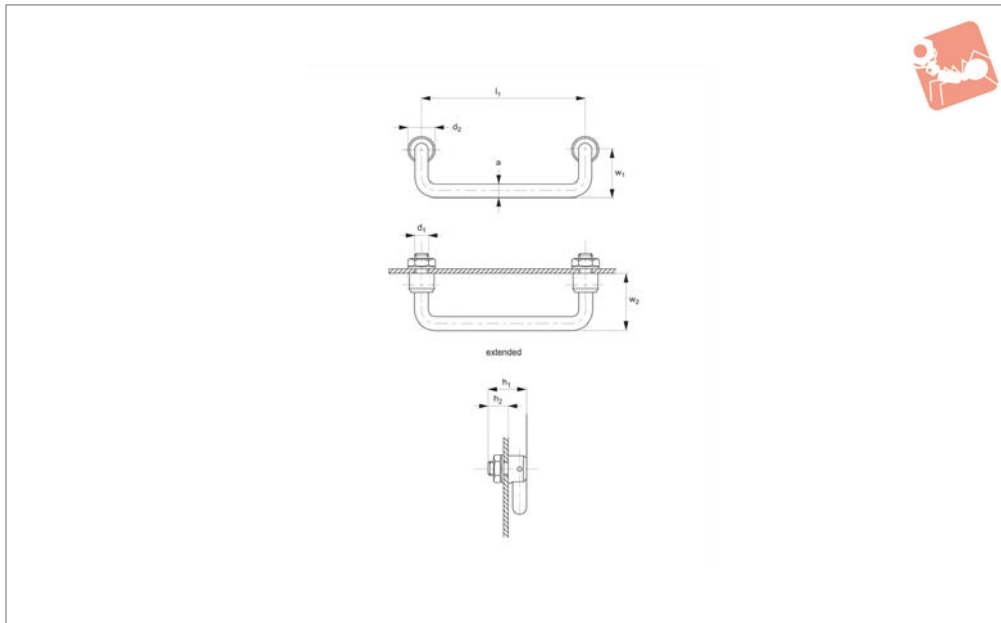
**Technical Notes**

Mountable in front of or behind housing

wall with the same housing cut-out.  
Natural finger profiling at the rear of the hinged handle.  
79552.W0118: with snap locks both in rest and work position.

79552.W0218: with pull back spring from the working to the rest position.  
Stress resistance: min. 250N.

Order No.	Handle action	Hole centres
79552.W0118	Snap Lock	118
79552.W0218	Pull Back	118



## 79570

PULL HANDLES

### Material

Round steel bar, precision ground and chromium plated, mirror finish. Plastic grip.

### Technical Notes

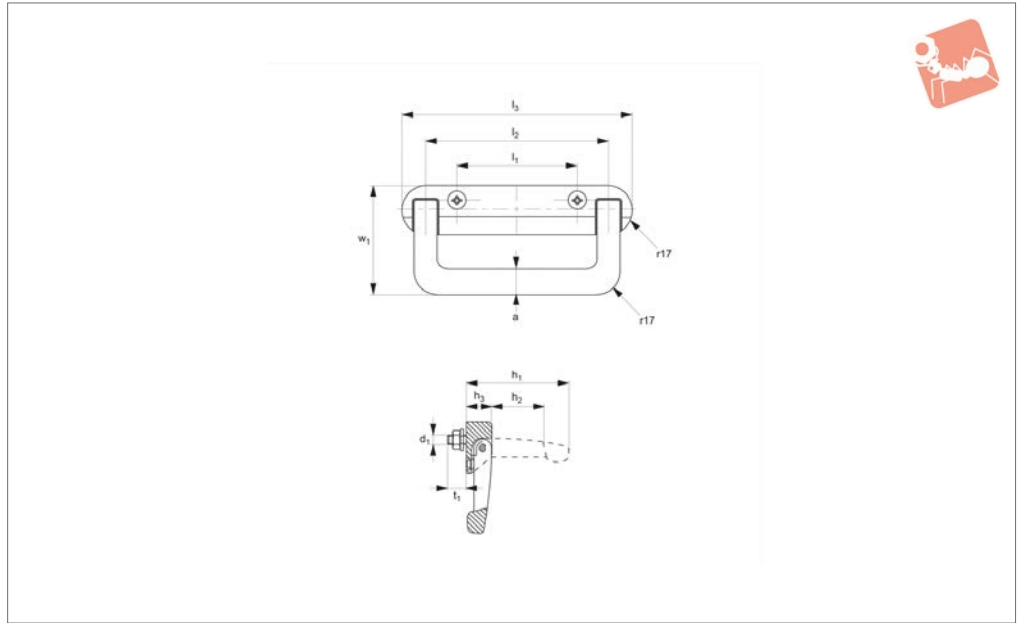
Spring-arrest in both extended and retracted positions. Supplied with suitable nuts and washers.

Minimum stress resistance to 1000N per pair due to one-piece shank.

Order No.	Type	$l_1$	$d_1$	$d_2$	$h_1$	$h_2$	$a$	$w_1$	$w_2$
79570.W0100	Without Plastic Grip	100	M10 x 1	18	28	14	Ø10	34	44
79570.W0120	Without Plastic Grip	120	M10 x 1	18	28	14	Ø10	34	44
79570.W0180	Without Plastic Grip	180	M10 x 1	18	28	14	Ø10	34	44
79570.W0500	With Plastic Grip	100	M10 x 1	18	28	14	Ø10	34	44
79570.W0520	With Plastic Grip	120	M10 x 1	18	28	14	Ø10	34	44
79570.W0680	With Plastic Grip	180	M10 x 1	18	28	14	Ø10	34	44



**79580**



**Material**

Polyamide, glass reinforced plastic PA 6, black, semi-gloss. Arbors and springs from stainless steel. With screws to DIN9656, M

6x30, suitable nuts & washers.

under load 500N.

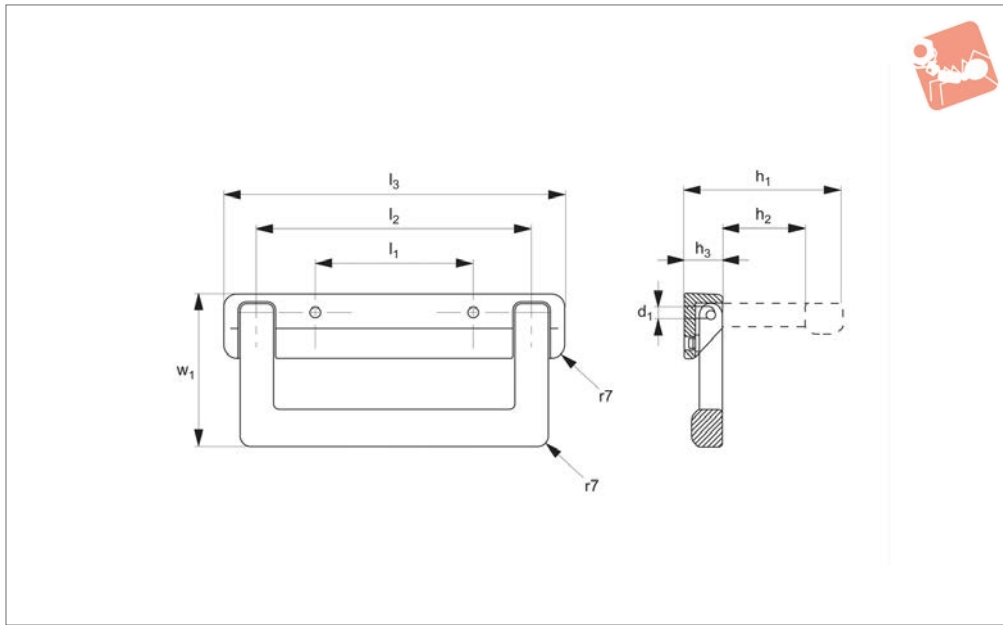
**Technical Notes**

Minimum stress resistance 300N. Stability

**Tips**

Springs back automatically.

Order No.	Type	$l_1$	$l_2$	$l_3$	$d_1$	$h_1$	$h_2$	$h_3$	$a$	$t$	$w_1$
79580.W0120	Spring Loaded	80	120	154	M 6	71	35	18	18	12	77



**79582**

PULL HANDLES

**Material**

Holder & handle: die-cast aluminium GD-ALSi9Cu3 (alloy 226). Powder coated, half matt in black (similar to RAL 9005) or orange (RAL 2009).

Arbors & restoring springs: stainless steel. Self-acting resilient handle made of aluminium for backside screw mounting.

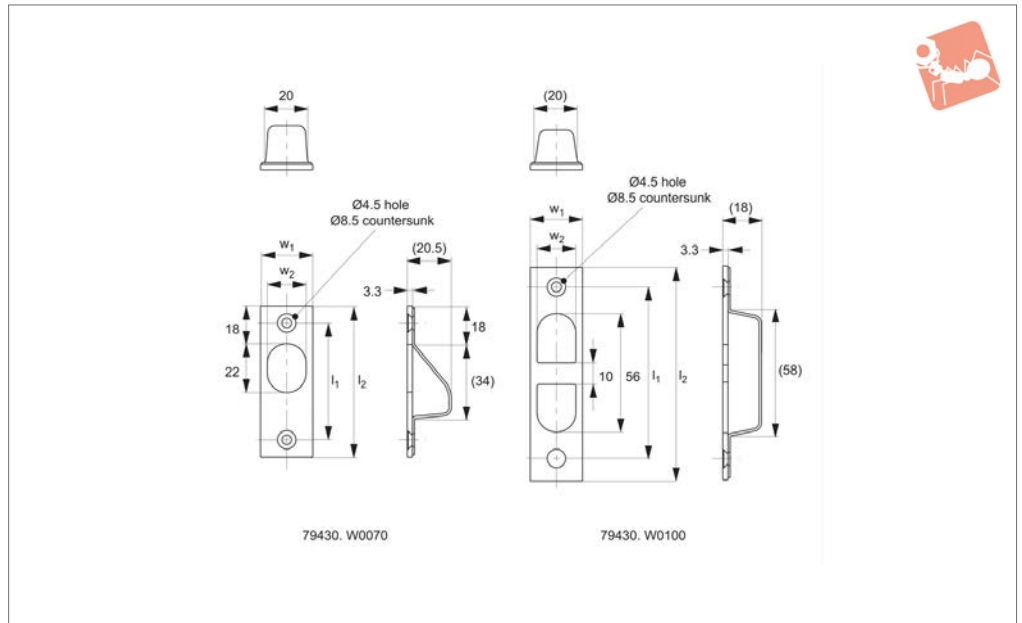
**Technical Notes**

Stress resistance: min. 800N. Screw attachment from the front available on request. Other colour combinations available on request.

Order No.	Type	$l_1$	$l_2$	$l_3$	$d_1$	$h_1$	$h_2$	$h_3$	$w_1$
<b>79582.W0145</b>	Black	84	145	180	M 6	83	44	20	80
<b>79582.W1145</b>	Orange	84	145	180	M 6	83	44	20	80



**79430**



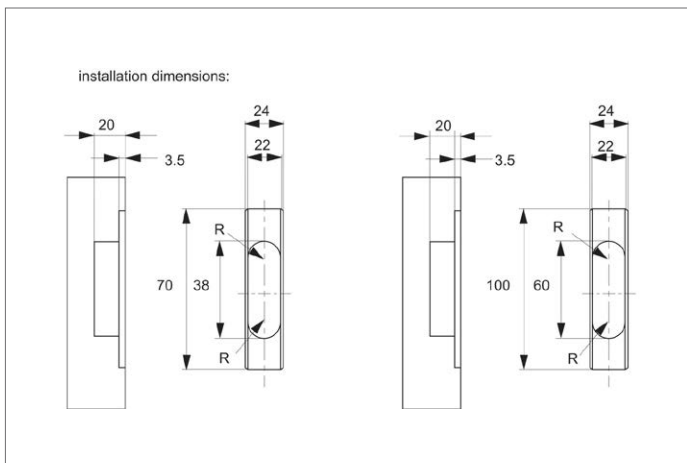
### Material

AISI 304 stainless steel, satin finish.

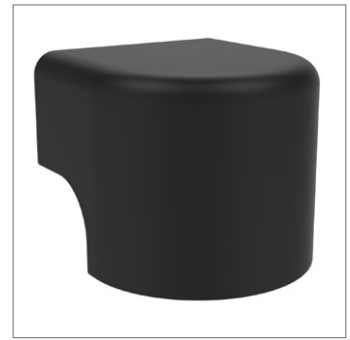
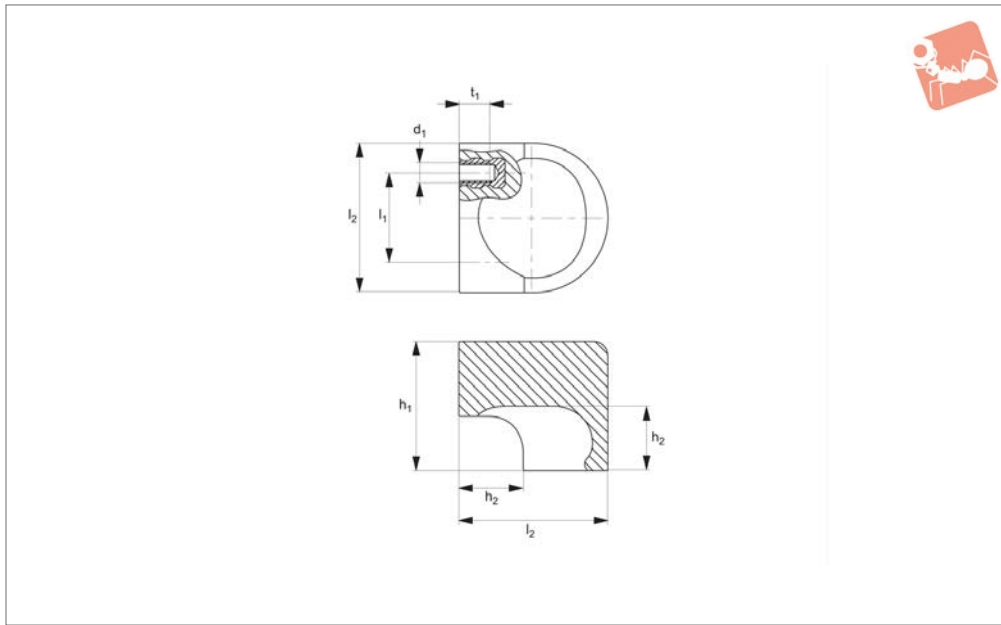
### Technical Notes

Compact finger pulls, for doors/enclosures of minimum thickness 30mm.

Order No.	Type	$l_1$	$l_2$	$w_1$	$w_2$	Weight g
79430.W0070	Type one	54	70	24	18	37
79430.W0100	Type two	80	100	24	18	45







79660

PULL HANDLES

**Material**

Polyamide PA 6, glass ball reinforced, fine grain semi-matt finish.

Insert: threaded brass bushing.

furniture.

**Technical Notes**

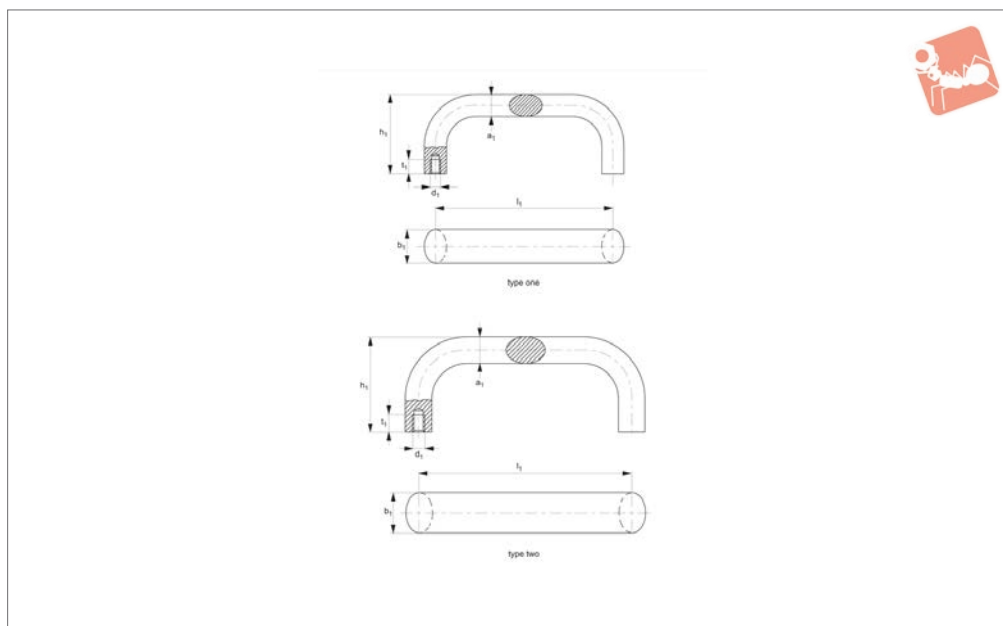
Ideal finger pull for cabinets, enclosures or

Order No.	Type	$l_1$	$l_2$	$h_1$	$h_2$	$d_1$	$t_1$
79660.W0014	Black	14	26	22	11	M 4	6
79660.W0018	Black	18	30	26	13	M 4	6
79660.W0114	Grey	14	26	22	11	M 4	6
79660.W0118	Grey	18	30	26	13	M 4	6





**79820**



### Material

Oval profiled aluminium AlMgSi 0.5. Vibration ground and powder coated in RAL 9002 grey white.

### Tips

Especially suited for food and medical industries. Other RAL shades available on request.

### Technical Notes

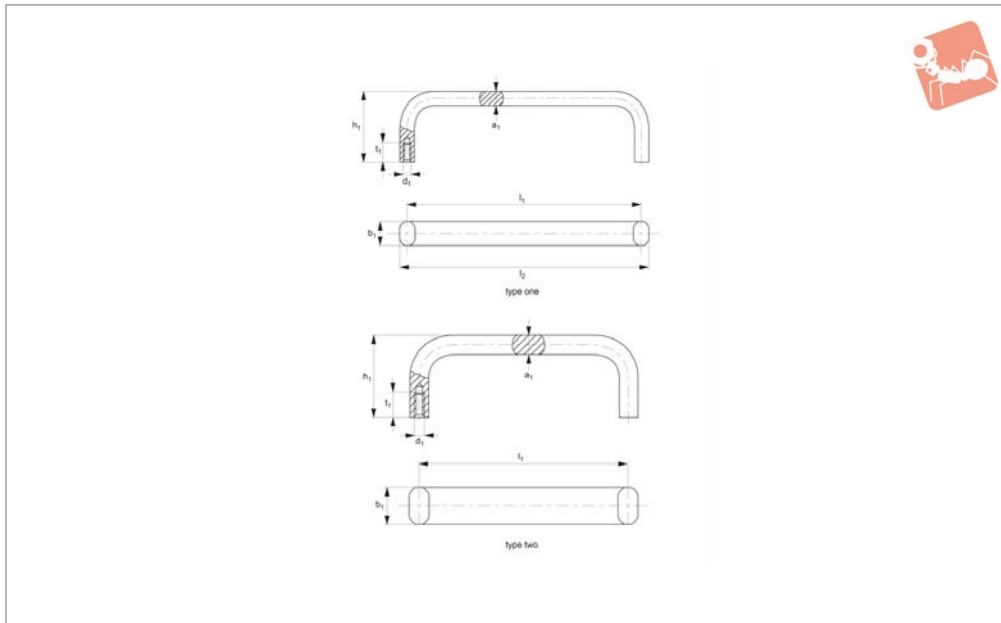
Minimum stress resistance >1000N.

Order No.	Type	$l_1$	$d_1$	$a_1$	$b_1$	$h_1$	$t_1$
79820.W0010	Type One	100	M 6	13	20	50	12
79820.W0013	Type One	128	M 6	13	20	50	12
79820.W0016	Type One	160	M 6	13	20	50	12
79820.W0114	Type Two	140	M 8	17	26	55	14
79820.W0116	Type Two	160	M 8	17	26	55	14
79820.W0118	Type Two	180	M 8	17	26	55	14
79820.W0119	Type Two	192	M 8	17	26	55	14
79820.W0135	Type Two	350	M 8	17	26	55	14



# Pull Handles

aluminium, Clean line



**79830**

PULL HANDLES

### Material

Flat-oval profiled aluminum AlMgSi 0.5.  
Vibration ground and powder coated in RAL 9002 grey white.

### Tips

Especially suited for food and medical industries. Other RAL shades are available on request.

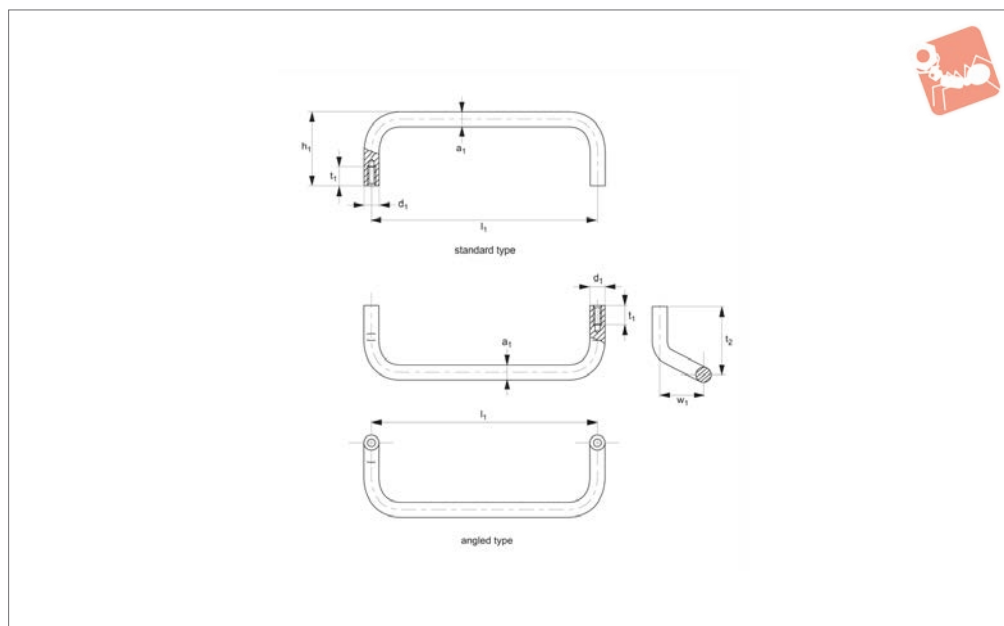
### Technical Notes

Minimum stress resistance 500N.

Order No.	Type	$l_1$	$l_2$	$d_1$	$a_1$	$b_1$	$h_1$	$t_1$
79830.W0005	Type One	55	63	M 5	8	12	40	10
79830.W0008	Type One	88	96	M 5	8	12	40	10
79830.W0010	Type One	100	108	M 5	8	12	40	10
79830.W0012	Type One	120	128	M 5	8	12	40	10
79830.W0018	Type One	180	188	M 5	8	12	40	10
79830.W0020	Type One	200	208	M 5	8	12	40	10
79830.W0023	Type One	235	243	M 5	8	12	40	10
79830.W0025	Type One	250	258	M 5	8	12	40	10
79830.W0112	Type Two	120	130	M 5	10	20	45	10
79830.W0114	Type Two	140	150	M 5	10	20	45	10
79830.W0118	Type Two	180	190	M 5	10	20	45	10
79830.W0120	Type Two	200	210	M 5	10	20	45	10
79830.W0135	Type Two	350	360	M 6	10	20	45	12



**79840**



### Material

Profile aluminium AlMgSi 0.5. Vibration ground and powder-coated in RAL 9002 grey white.

### Technical Notes

Minimum stress resistance 500N.

### Tips

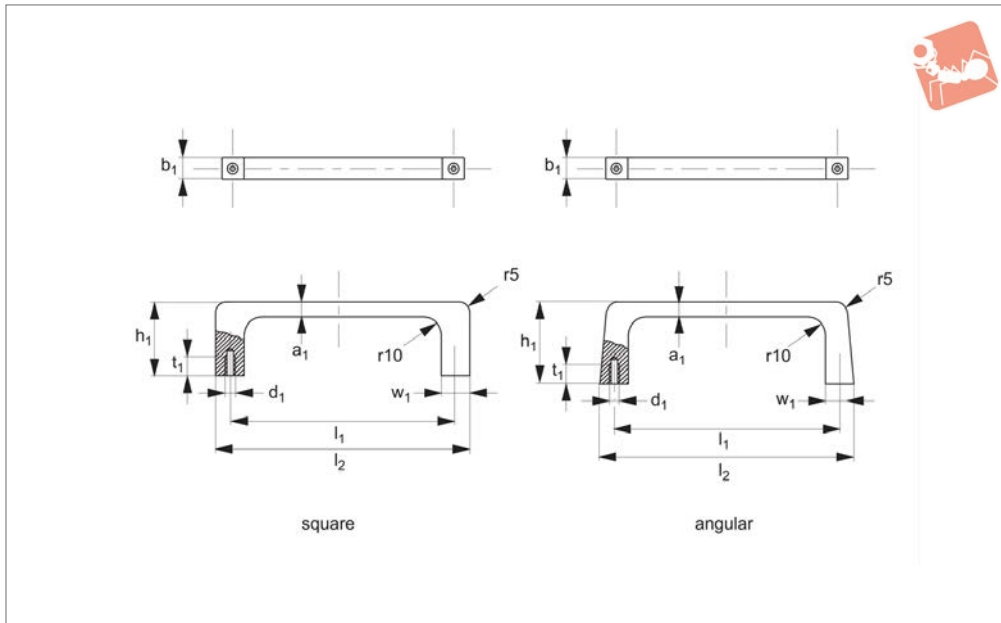
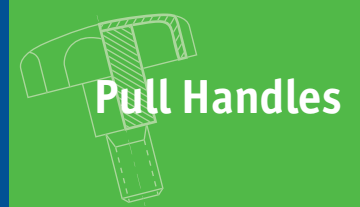
Especially suited for food and medical industries.

Order No.	Type	$l_1$	$d_1$	$a_1$	$h_1$	$t_1$	$t_2$	$w_1$
79840.W0005	Standard	55	M 5	Ø10	40	10	-	-
79840.W0008	Standard	88	M 5	Ø10	40	10	-	-
79840.W0010	Standard	100	M 5	Ø10	40	10	-	-
79840.W0012	Standard	120	M 5	Ø10	40	10	-	-
79840.W0018	Standard	180	M 5	Ø10	40	10	-	-
79840.W0020	Standard	200	M 5	Ø10	40	10	-	-
79840.W0023	Standard	235	M 5	Ø10	40	10	-	-
79840.W0025	Standard	250	M 5	Ø10	40	10	-	-
79840.W0108	Angled	86	M 5	Ø10	-	10	40	30
79840.W0112	Angled	120	M 5	Ø10	-	10	40	30
79840.W0118	Angled	180	M 5	Ø10	-	10	40	30



# Pull Handles

aluminium, Clean line



**79860**

PULL HANDLES

### Material

Cut profiled, aluminium AlMgSi 0.5. Vibration ground and powder coated in RAL 9002 grey white.

### Tips

Especially suited for food and medical industries. Other RAL shades are available on request.

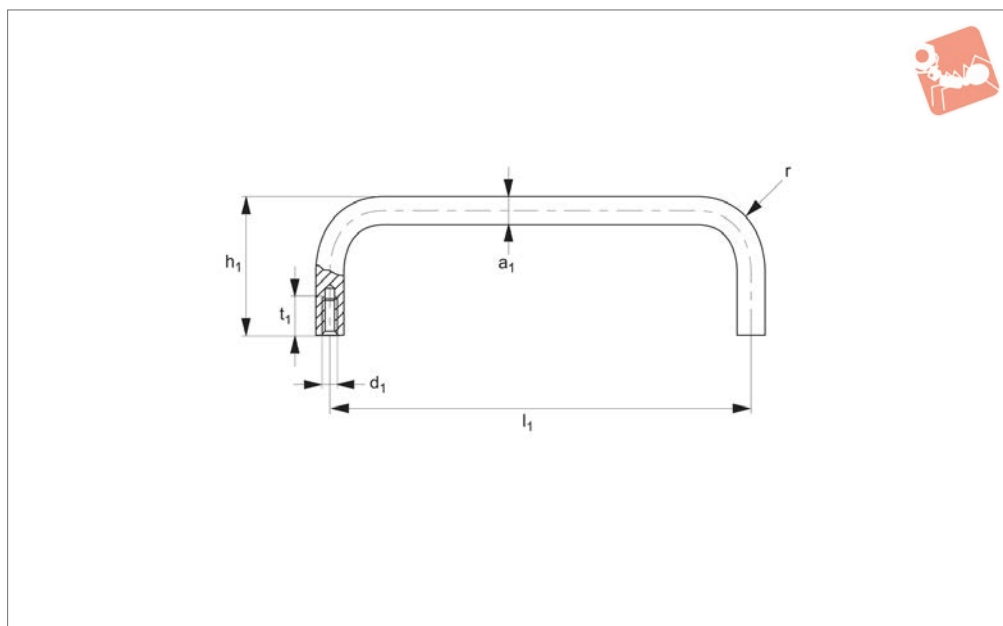
### Technical Notes

Minimum stress resistance 500N.

Order No.	Type	$l_1$	$l_2$	$d_1$	$a_1$	$b_1$	$h_1$	$t_1$	$w_1$
<b>79860.W0005</b>	Square	55	67	M 5	8	12	40	10	12
<b>79860.W0008</b>	Square	88	100	M 5	8	12	40	10	12
<b>79860.W0012</b>	Square	120	132	M 5	8	12	40	10	12
<b>79860.W0018</b>	Square	180	192	M 5	8	12	40	10	12
<b>79860.W0023</b>	Square	235	247	M 5	8	12	40	10	12
<b>79860.W0102</b>	Angular	25	40	M 5	8	12	46	10	12
<b>79860.W0105</b>	Angular	55	69	M 5	8	12	46	10	12
<b>79860.W0108</b>	Angular	88	102	M 5	8	12	46	10	12
<b>79860.W0112</b>	Angular	120	134	M 5	8	12	46	10	12
<b>79860.W0118</b>	Angular	180	194	M 5	8	12	46	10	12
<b>79860.W0123</b>	Angular	235	249	M 5	8	12	46	10	12



**79880**



### Material

Round bar aluminium AlMgSi 0.5. Vibration ground and powder coated in RAL 9002 grey white.

### Tips

Especially suited for food and medical industries. Other RAL shades are available on request.

### Technical Notes

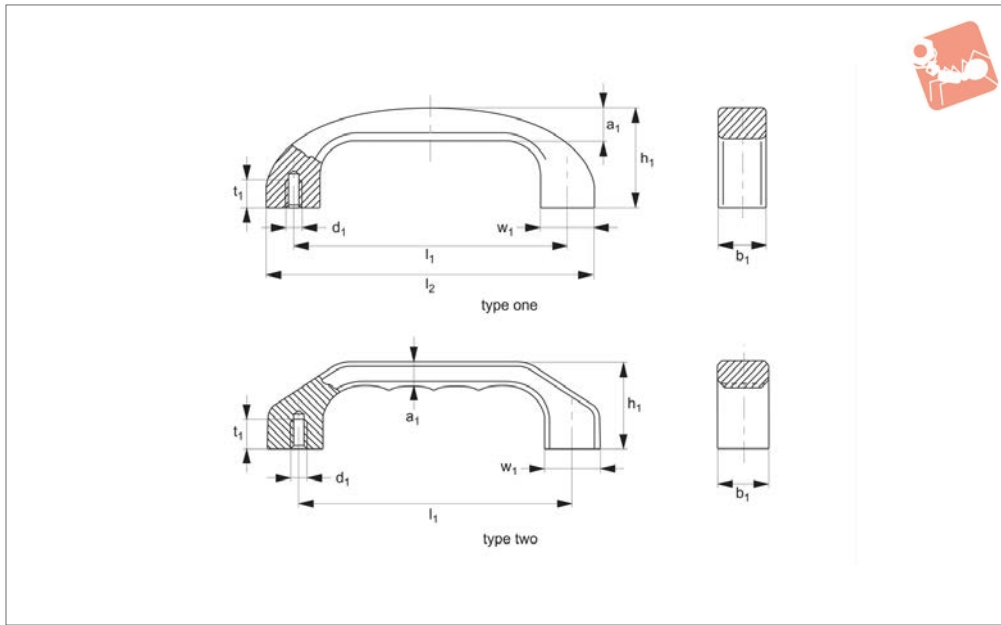
Minimum stress resistance >1000N.

Order No.	Type	$l_1$	$d_1$	$a$	$h_1$	R	$t_1$
79880.W0120	Standard	200	M 8	20	70	22	15
79880.W0125	Standard	250	M 8	20	70	22	15
79880.W0130	Standard	300	M 8	20	70	22	15
79880.W0135	Standard	350	M 8	20	70	22	15
79880.W0140	Standard	400	M 8	20	70	22	15
79880.W0160	Standard	600	M 8	20	70	22	15
79880.W0220	Standard	200	M 8	25	85	28	15
79880.W0225	Standard	250	M 8	25	85	28	15
79880.W0230	Standard	300	M 8	25	85	28	15
79880.W0240	Standard	400	M 8	25	85	28	15
79880.W0260	Standard	600	M 8	25	85	28	15
79880.W0330	Standard	300	M10	30	100	34	15
79880.W0340	Standard	400	M10	30	100	34	15
79880.W0360	Standard	600	M10	30	100	34	15



# Pull Handles Bow Type

aluminium, Clean line



**79900**

PULL HANDLES

### Material

Solid aluminium handles in a modern industrial design. Aluminium section AlMgSi 0.5. Vibration ground and powder coated in RAL 9002 grey white.

### Technical Notes

Minimum stress resistance >1000N.

### Tips

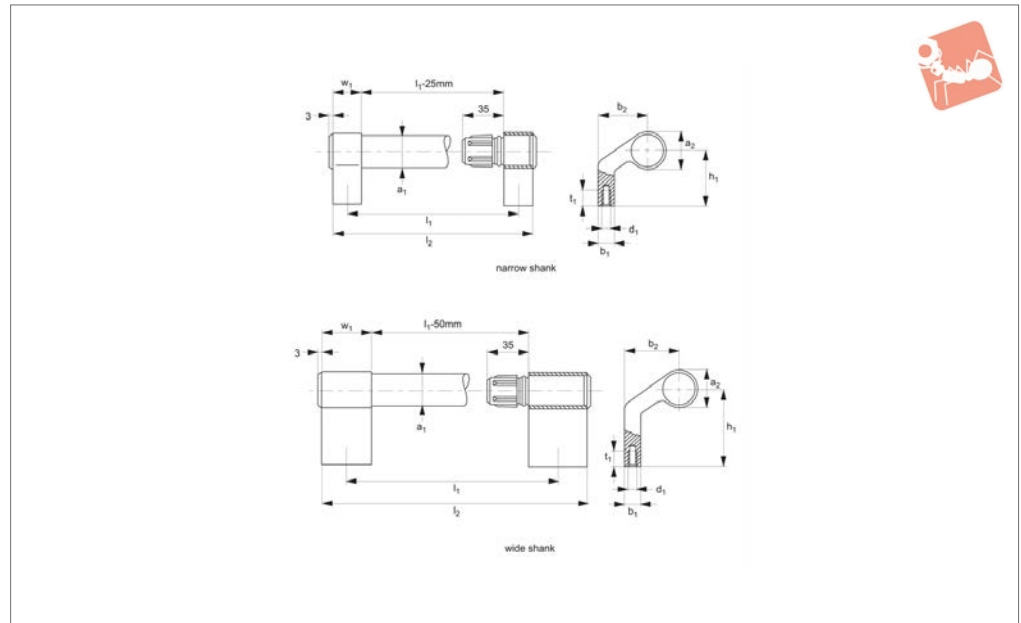
Especially suited for food and medical

industries. Other RAL shades available on request.

Order No.	Type	$l_1$	$l_2$	$d_1$	$a_1$	$b_1$	$h_1$	$t_1$	$w_1$
<b>79900.W0120</b>	Type One	120	144	M 6	15.0	22	46	12	24
<b>79900.W0140</b>	Type One	140	168	M 8	17.0	25	53	15	28
<b>79900.W0520</b>	Type Two	120	-	M 6	10.5	22	39	12	24
<b>79900.W0540</b>	Type Two	140	-	M 8	12.0	25	45	15	28
<b>79900.W0560</b>	Type Two	160	-	M 8	13.5	28	52	15	32



## 79920



### Material

Handle shank: extruded aluminium ALMg Si 0,5, powder coated to RAL9002, grey white.

Handle tube: extruded aluminium, ALMg Si 0,5, Ø30x1,5mm, powder coated to RAL9002, grey white.

Shank insert: polyamide PA 6, glass ball reinforced in similar colour shade.

### Technical Notes

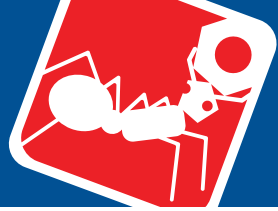
Torsionally stiff and splash-proof seat; edges rounded by vibratory grinding. Minimum stress resistance >1000N.

### Tips

Especially suited for food and medical industries. All handle lengths and RAL shades are available on request.

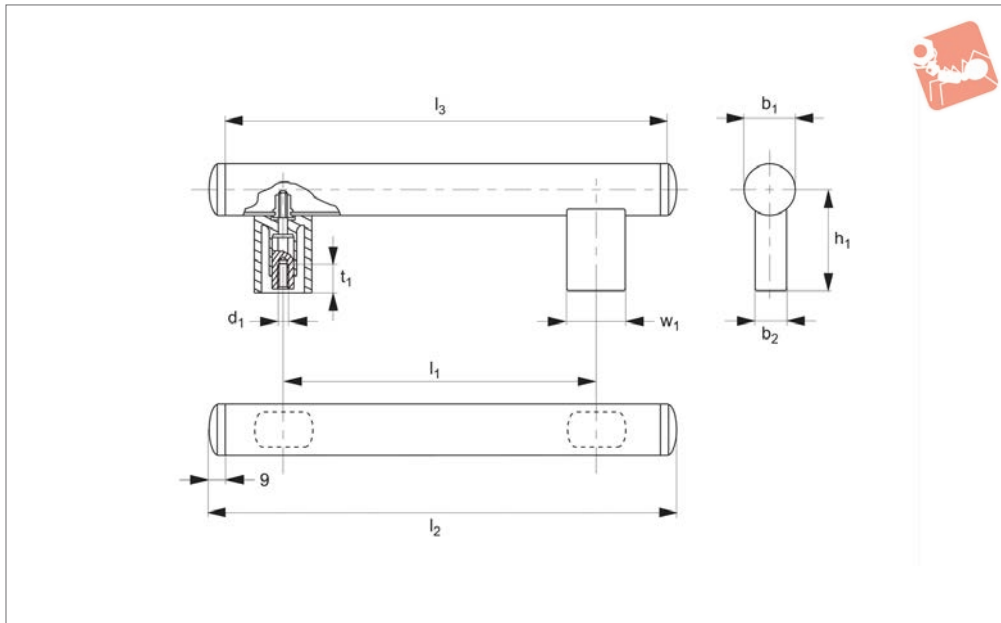
Order No.	Type	$l_1$	$l_2$	$d_1$	$a_1$	$a_2$	$b_1$	$b_2$	$h_1$	$w_1$
79920.W0020	Narrow Shank	200	250	M 8	Ø30 x 1,5	33	15	45	50	25
79920.W0025	Narrow Shank	250	300	M 8	Ø30 x 1,5	33	15	45	50	25
79920.W0030	Narrow Shank	300	350	M 8	Ø30 x 1,5	33	15	45	50	25
79920.W0035	Narrow Shank	350	400	M 8	Ø30 x 1,5	33	15	45	50	25
79920.W0040	Narrow Shank	400	450	M 8	Ø30 x 1,5	33	15	45	50	25
79920.W0050	Narrow Shank	500	550	M 8	Ø30 x 1,5	33	15	45	50	25
79920.W0060	Narrow Shank	600	650	M 8	Ø30 x 1,5	33	15	45	50	25
79920.W0120	Wide Shank	200	250	M 8	Ø30 x 1,5	33	15	55	70	50
79920.W0125	Wide Shank	250	300	M 8	Ø30 x 1,5	33	15	55	70	50
79920.W0130	Wide Shank	300	350	M 8	Ø30 x 1,5	33	15	55	70	50
79920.W0135	Wide Shank	350	400	M 8	Ø30 x 1,5	33	15	55	70	50
79920.W0140	Wide Shank	400	450	M 8	Ø30 x 1,5	33	15	55	70	50
79920.W0150	Wide Shank	500	550	M 8	Ø30 x 1,5	33	15	55	70	50
79920.W0160	Wide Shank	600	650	M 8	Ø30 x 1,5	33	15	55	70	50





# Tube Pull Handles

Clean line



**79930**

PULL HANDLES

### Material

Handle shank: polyamide (PA 6), glass bead reinforced, semi-gloss in RAL9002 grey white.

Handle tube: aluminium section, ALMgSi 0,5, Ø30x1,5mm, powered coated in RAL9002 grey white.

Tube holder and tube cap: polyamide PA6 glass ball reinforced in similar RAL colour shade.

### Technical Notes

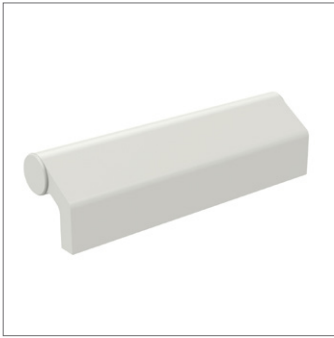
Non detachable blind rivet nuts ensure that the handle tube cannot be torn out of

its connection to the shank. Minimum stress resistance 800N.

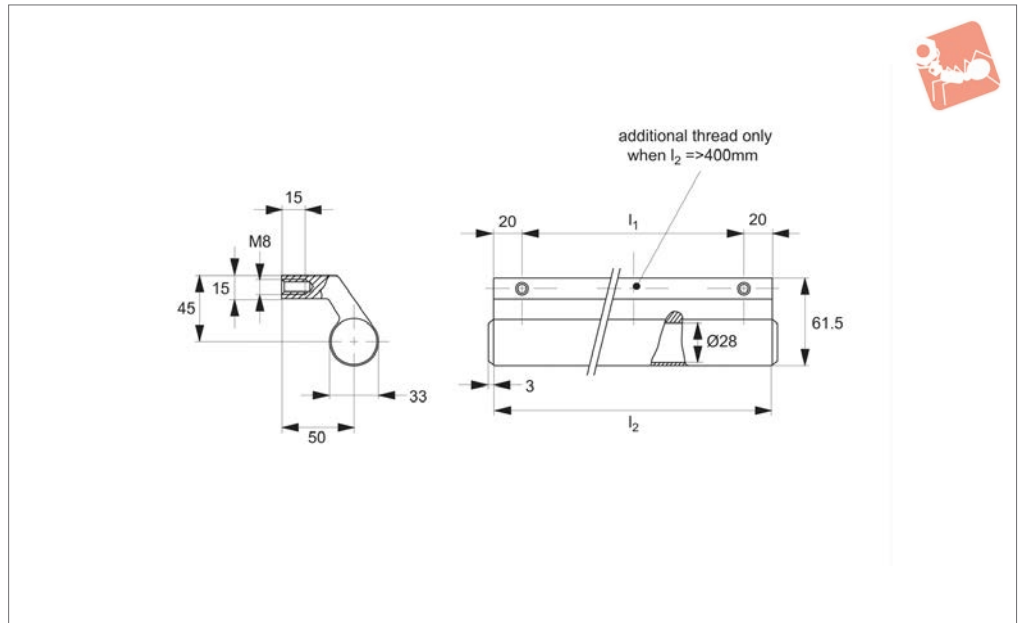
### Tips

Especially suited for food and medical industries. All handle lengths and RAL shades are available on request.

Order No.	$l_1$	$l_2$	$l_3$	$d_1$	$b_1$	$b_2$	$h_1$	$t_1$	$w_1$
79930.W0200	200	288	270	M 6	30 x 1,5	20	60	17	34
79930.W0250	250	338	320	M 6	30 x 1,5	20	60	17	34
79930.W0300	300	388	300	M 6	30 x 1,5	20	60	17	34
79930.W0350	350	438	420	M 6	30 x 1,5	20	60	17	34
79930.W0400	400	488	470	M 6	30 x 1,5	20	60	17	34
79930.W0500	500	588	570	M 6	30 x 1,5	20	60	17	34
79930.W0600	600	688	670	M 6	30 x 1,5	20	60	17	34



79960



**Material**

Aluminium section AlMgSi 0.5 powder coated in RAL 9002 grey white. Cover caps made of polyamide PA 6, glass-bead reinforced in similar colour shade.

**Technical Notes**

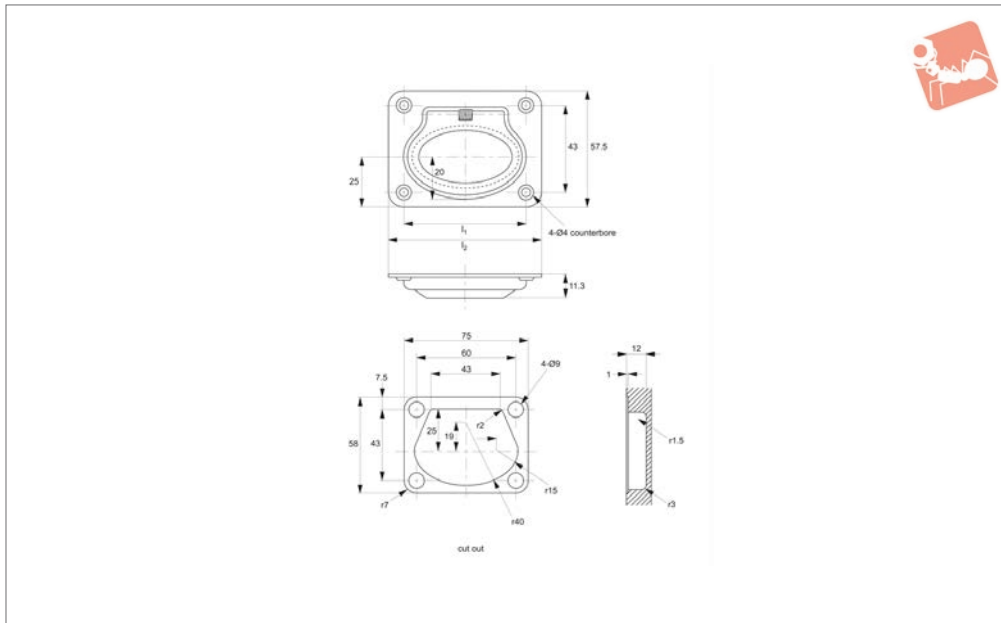
Minimum stress resistance >1000N.

handle lengths and RAL shades available on request.

**Tips**

Handles in a special heavy-duty design. All

Order No.	$l_1$	$l_2$
79960.W0110	110	150
79960.W0160	160	200
79960.W0210	210	250
79960.W0260	260	300
79960.W0310	310	350
79960.W0360	360	400
79960.W0460	460	500
79960.W0560	560	600



79711

PULL HANDLES

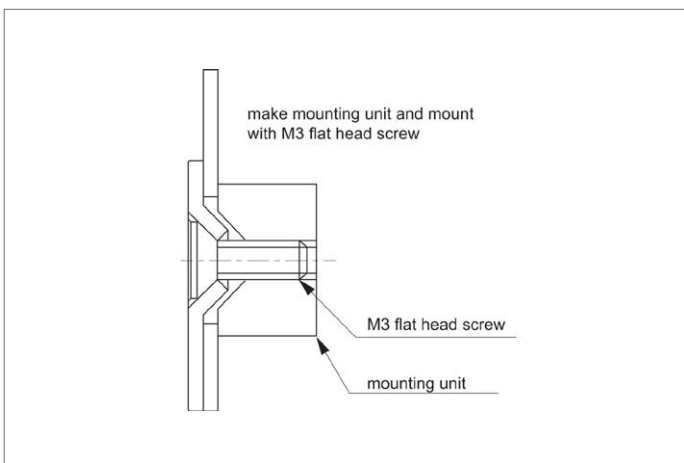
**Material**

AISI 304 stainless steel, polished.

**Technical Notes**

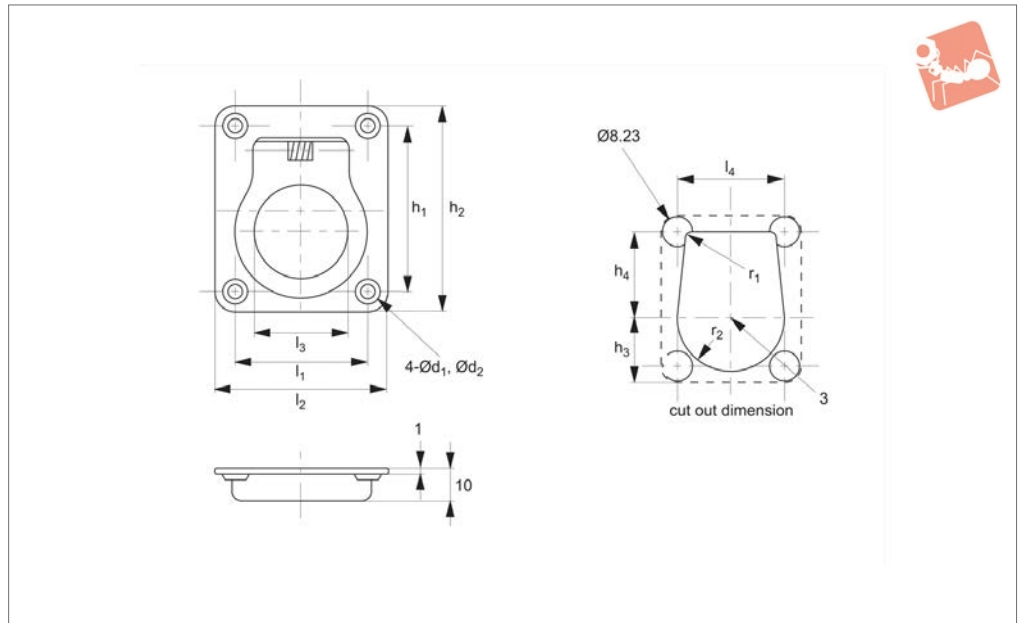
Supplied with stainless steel screws (3.8x16).

Order No.	$l_1$	$l_2$	Weight g
79711.W0110	60	75	51





**79720**



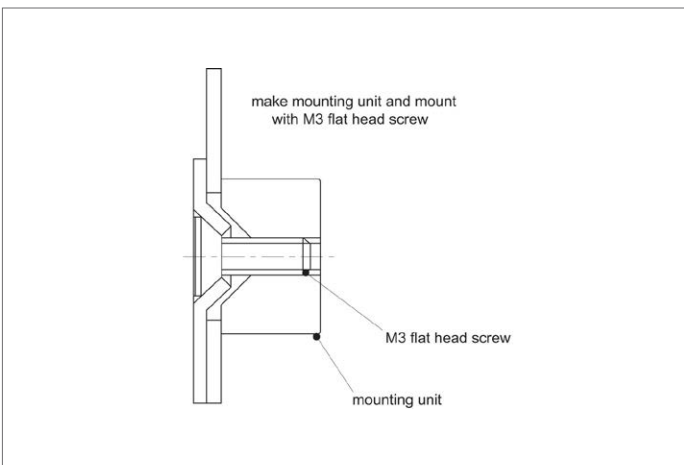
**Material**

AISI 304 stainless steel, polished.

**Technical Notes**

Supplied with stainless steel screws.

Order No.	$l_1$	$d_1$	$d_2$	$h_1$	$h_2$	$h_3$	$h_4$	$l_2$	$l_3$	$l_4$	$r_1$	$\varnothing r_2$	Weight g
<b>79720.W0010</b>	28	4.0	6.2	34	44	19	19.5	38	18	24.5	14.2	31	21
<b>79720.W0020</b>	35	4.4	7.0	45	60	25	25.0	50	27	25.0	19.5	41	36



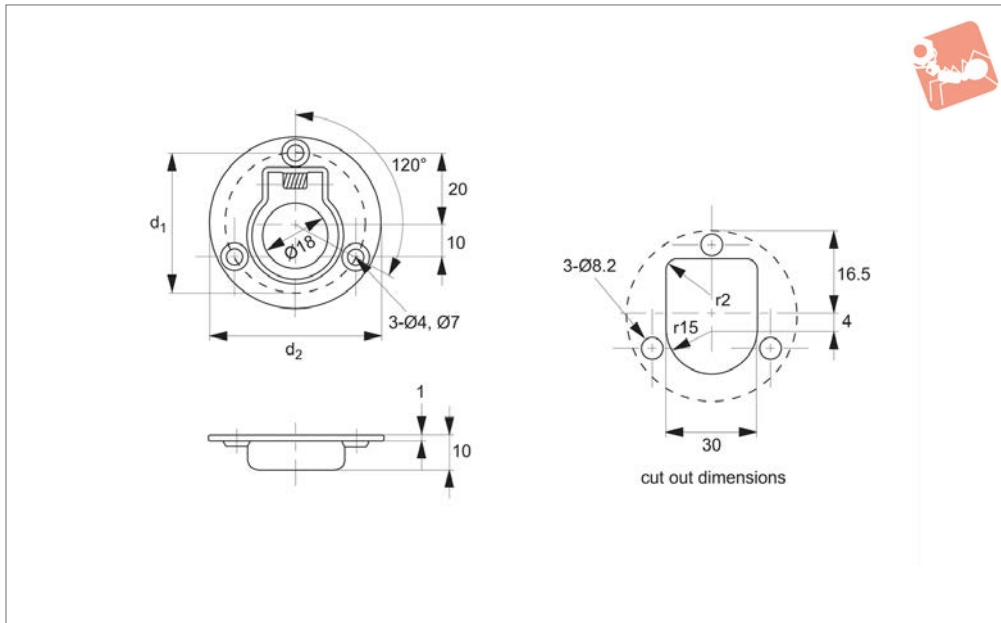


# Ring Pulls, Recessed

stainless steel



## Pull Handles



**79730**

PULL HANDLES

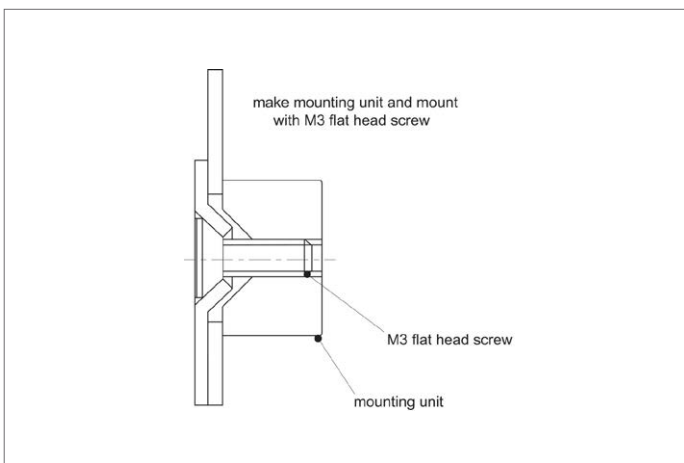
### Material

AISI 304 stainless steel, polished.

### Technical Notes

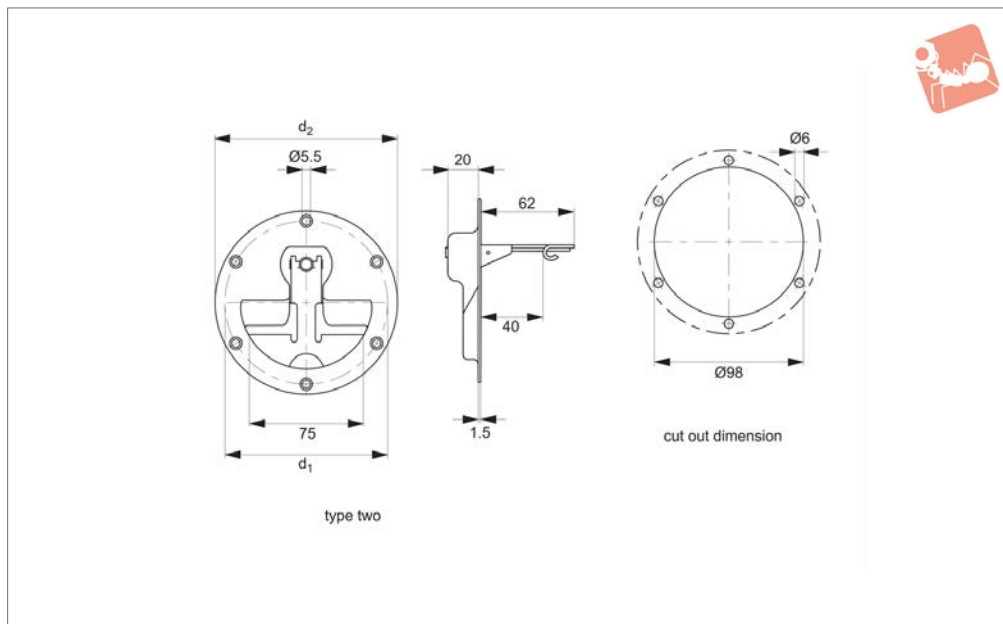
Supplied with stainless steel screws (3.8x16).

Order No.	d <sub>1</sub>	d <sub>2</sub>	Weight g
79730.W0010	40	50	23





**79740**



**Material**

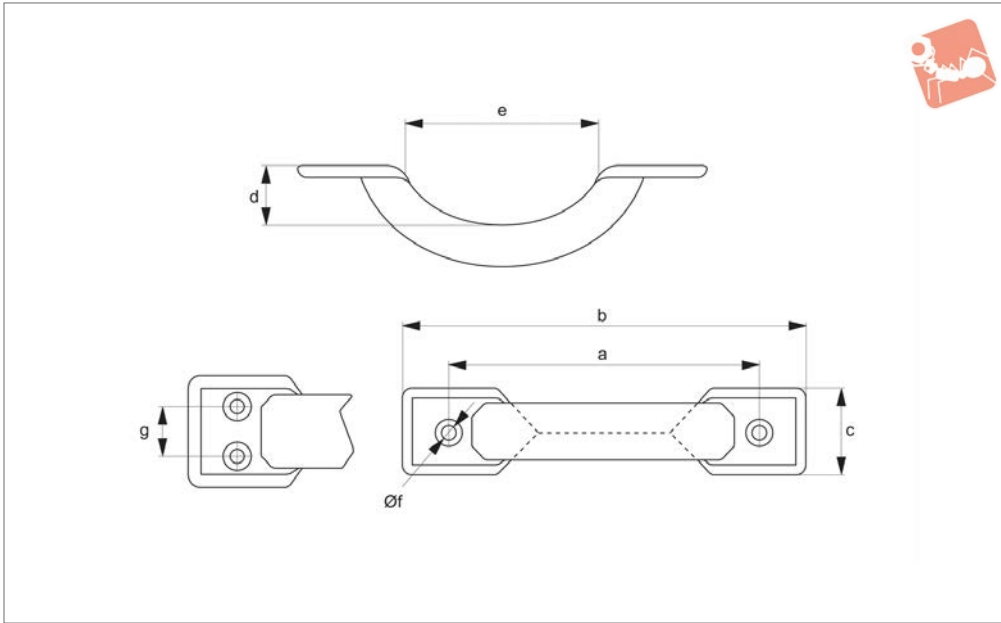
AISI 304 stainless steel, polished.

returns the handle to its resting position when released.

**Technical Notes**

Incorporates a pull-back spring which

Order No.	Type	$d_1$	$d_2$
79740.W0120	Type Two	107	120



**79583**

PULL HANDLES

### Material

Steel, nickel plated.

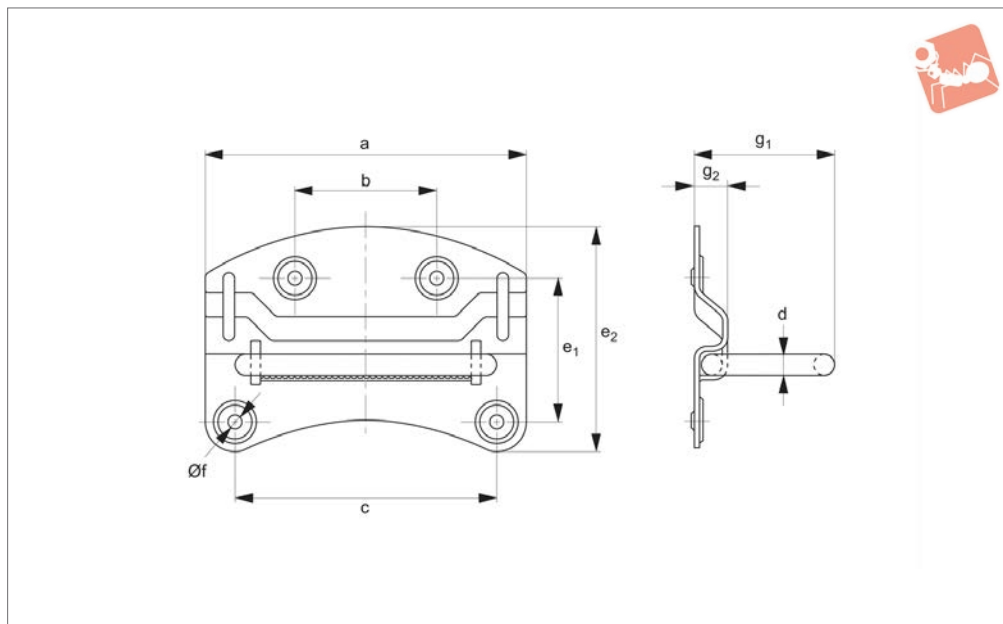
Order No.	Finish	a	b	c	d	e	g	Ø f	Weight g
79583.W0001	Nickel Plated Steel	66	80	18.5	13	38	-	3.2	20
79583.W0101	Nickel Plated Steel	83	100	21.5	13	48	-	3.2	20
79583.W0121	Nickel Plated Steel	99	120	24.5	16	60	-	3.2	20
79583.W0141	Nickel Plated Steel	121	140	28.5	19	70	13	3.2	20
79583.W0161	Nickel Plated Steel	140	160	29.5	24	80	13	3.2	20



PULL HANDLES



**79584**

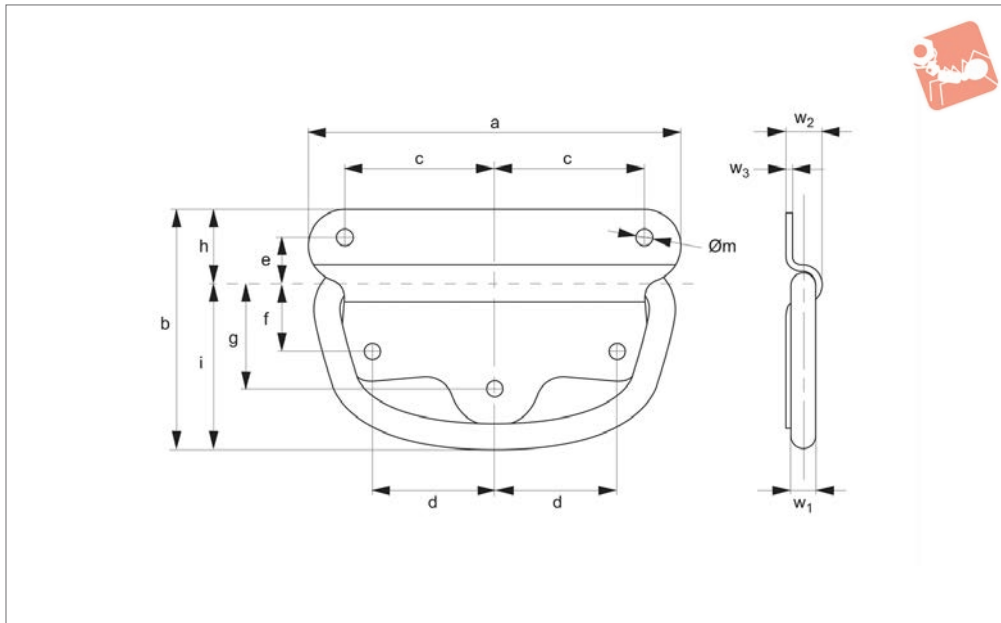


**Material**

Steel, brass or zinc plated.

Order No.	Finish	a	b	c	d	e <sub>1</sub>	e <sub>2</sub>	g <sub>1</sub>	g <sub>2</sub>	Ø f	Weight g
<b>79584.W0002</b>	Brass Plated Steel	90	42	72	6.5	40	67	40	9	4.2	90
<b>79584.W0112</b>	Brass Plated Steel	110	57	84	6.5	48	84	55	13	4.5	90
<b>79584.W0004</b>	Zinc Plated Steel	90	42	72	6.5	40	67	40	9	4.2	90
<b>79584.W0114</b>	Zinc Plated Steel	110	57	84	6.5	48	84	55	13	4.5	90





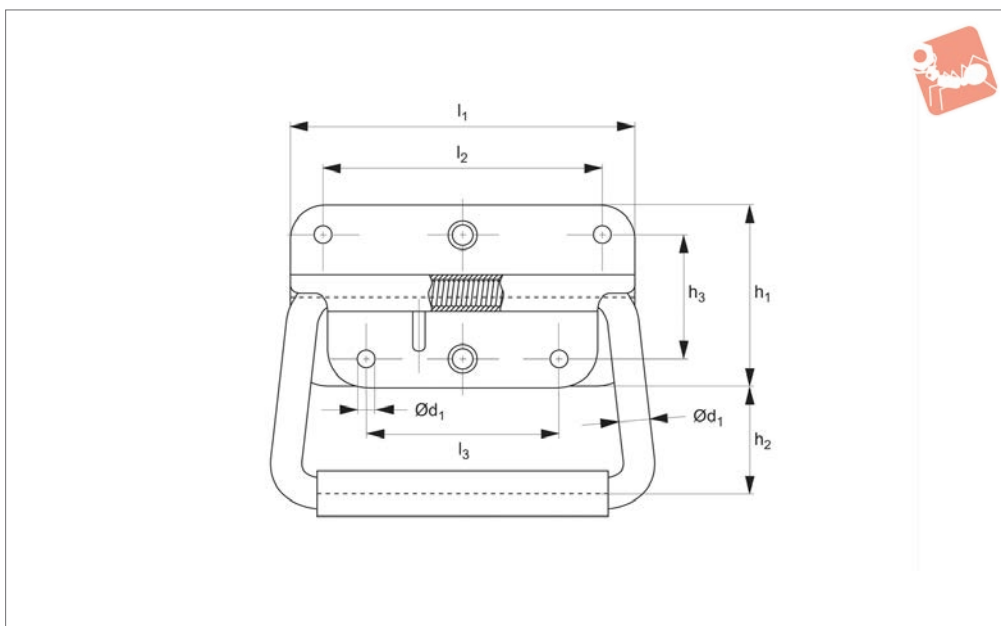
79585

PULL HANDLES

**Material**

Steel, brass or zinc plated.

Order No.	Finish	a	b	c	d	e	f	g	Ø m	h	i	w <sub>1</sub>	w <sub>2</sub>	w <sub>3</sub>	Weight g
79585.W0008	Brass	80	56.0	33.0	27.0	11	13	20	4.0	18	38.0	6.0	9	1	90
79585.W0009	Brass	90	61.0	37.5	30.0	11	20	28	4.4	17	44.0	6.5	9	1	90
79585.W0010	Brass	100	62.5	40.0	32.5	12	18	28	4.4	19	43.5	6.5	9	1	90
79585.W0011	Brass	110	66.5	45.0	37.5	13	25	37	5.0	19	47.5	7.0	9	1	90
79585.W0408	Zinc	80	56.0	33.0	27.0	11	13	20	4.0	18	38.0	6.0	9	1	90
79585.W0409	Zinc	90	61.0	37.5	30.0	11	20	28	4.4	17	44.0	6.5	9	1	90
79585.W0410	Zinc	100	62.5	40.0	32.5	12	18	28	4.4	19	43.5	6.5	9	1	90
79585.W0411	Zinc	110	66.5	45.0	37.5	13	25	37	5.0	19	47.5	7.0	9	1	90



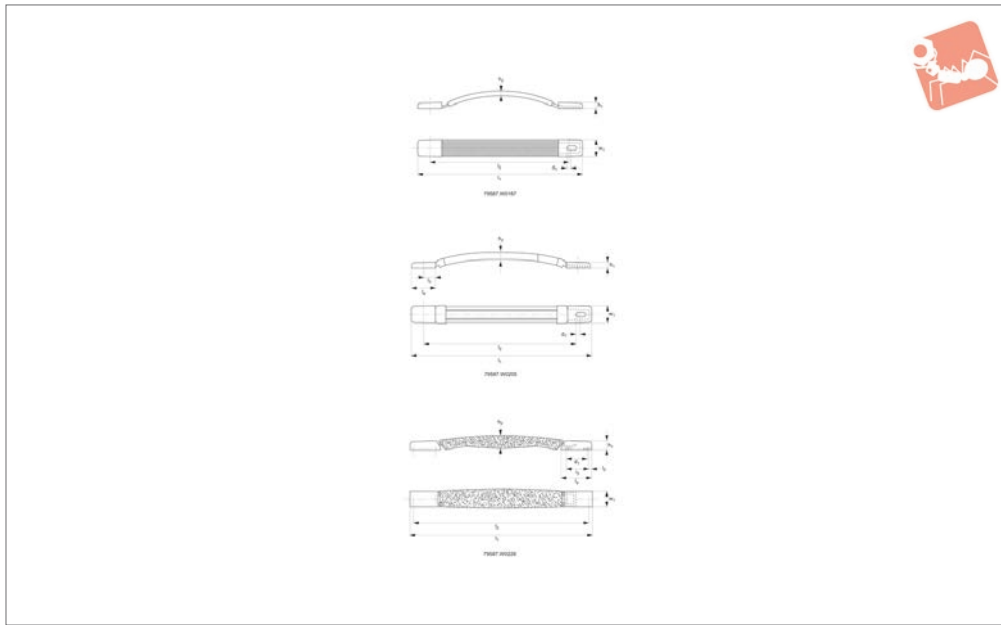
PULL HANDLES

**79586**

**Material**

Steel, zinc plated.

Order No.	Finish	Length available	Ø d <sub>1</sub>	Ø d <sub>2</sub>	h <sub>1</sub>	h <sub>2</sub>	h <sub>3</sub>	l <sub>1</sub>	l <sub>2</sub>	l <sub>3</sub>	Weight g
<b>79586.W0004</b>	Zinc plated steel	100mm	8	5.2	54	30	36.5	103	82.5	57	120



**79587**

PULL HANDLES

**Material**

Black handles of soft plastic, 49620.W0187 & 49620.W0205 with steel spring inside.

Nickel plated steel cover caps.

tions.

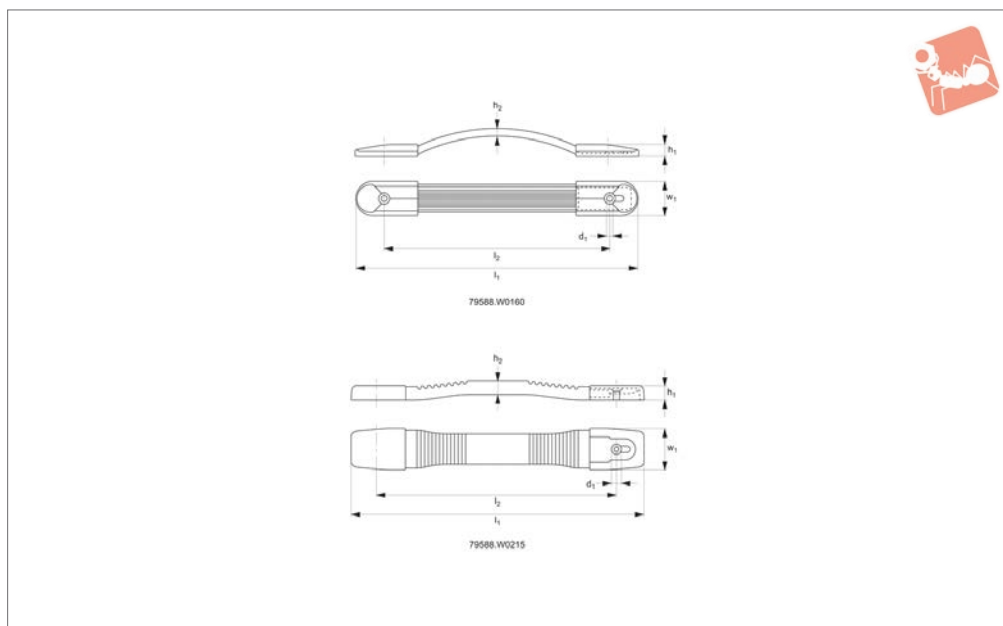
**Technical Notes**

For instruments, cases and similar applica-

Order No.	$d_1$	$h_1$	$h_2$	$l_1$	$l_2$	$w_1$	Stress resistance N
<b>79587.W0187</b>	4.5	8.6	8.0	223	187	23.3	300



**79588**

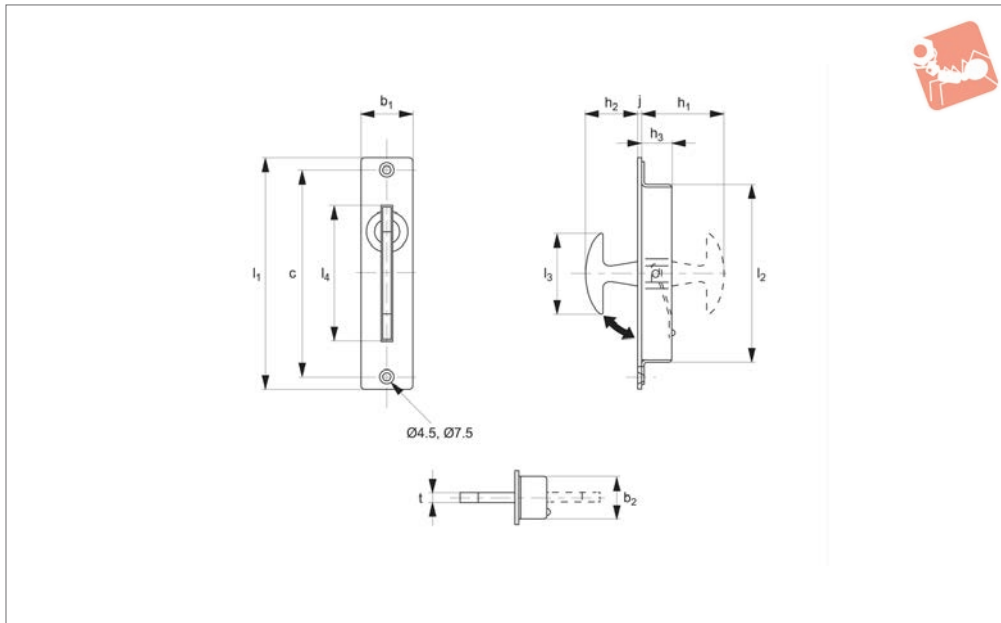


**Material**

Handles made of black soft plastic with a steel spring inside and black plastic cover

caps. For front mounting with countersunk screws (not included in delivery).

Order No.	$d_1$	$h_1$	$h_2$	$l_1$	$l_2$	$w_1$	Stress resistance N
<b>79588.W0215</b>	5.3	13	12	268	215	37	400
<b>79588.W0160</b>	4.3	8.5	5	203	160	25	400



79690

PULL HANDLES

**Material**

AISI 304 stainless steel, satin finish.

**Technical Notes**

Supplied with stainless steel screws.

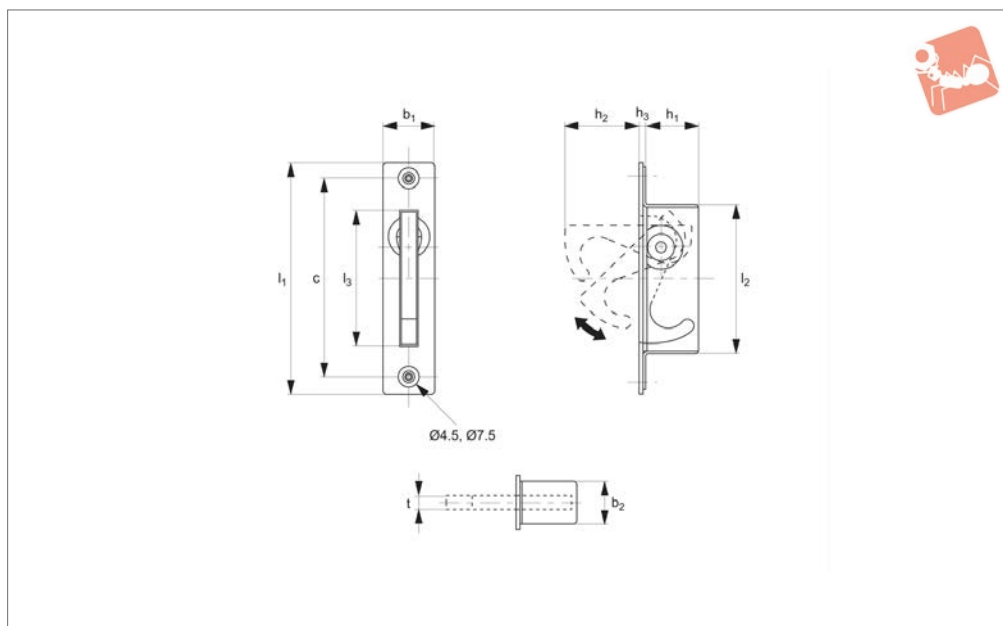
**Important Notes**

T-handle design. Handle is concealed when not in use.

Order No.	$l_1$	$l_2$	$l_3$	$l_4$	$h_1$	$h_2$	$h_3$	$j$	$b_1$	$b_2$	$t$	$c$	Weight g
79690.W0090	90	66.2	30.2	57	35.5	23.2	10.5	2.2	22	18.5	3.8	80	68
79690.W0115	115	86.2	40.0	67	42.0	26.0	13.0	2.5	25	20.0	4.0	102	102



**79700**



**Material**

AISI 304 stainless steel, satin finish.

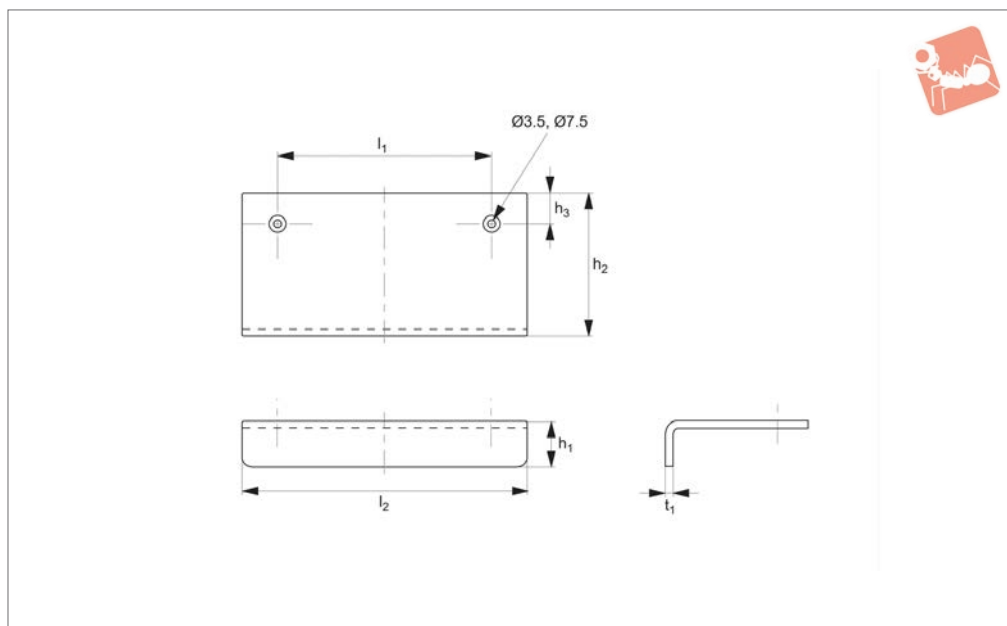
**Technical Notes**

Supplied with stainless steel screws.

**Important Notes**

Hook design. Handle is concealed when not in use.

Order No.	$l_1$	$l_2$	$l_3$	$h_1$	$h_2$	$h_3$	$b_1$	$b_2$	$t$	$c$	Weight g
<b>79700.W0080</b>	80	50	44	18	25	2	18	15	5	68	48
<b>79700.W0100</b>	100	63	54	21	32	2	20	15	5	85	66



79590

PULL HANDLES

**Material**

AISI 304 stainless steel, mirror finish.

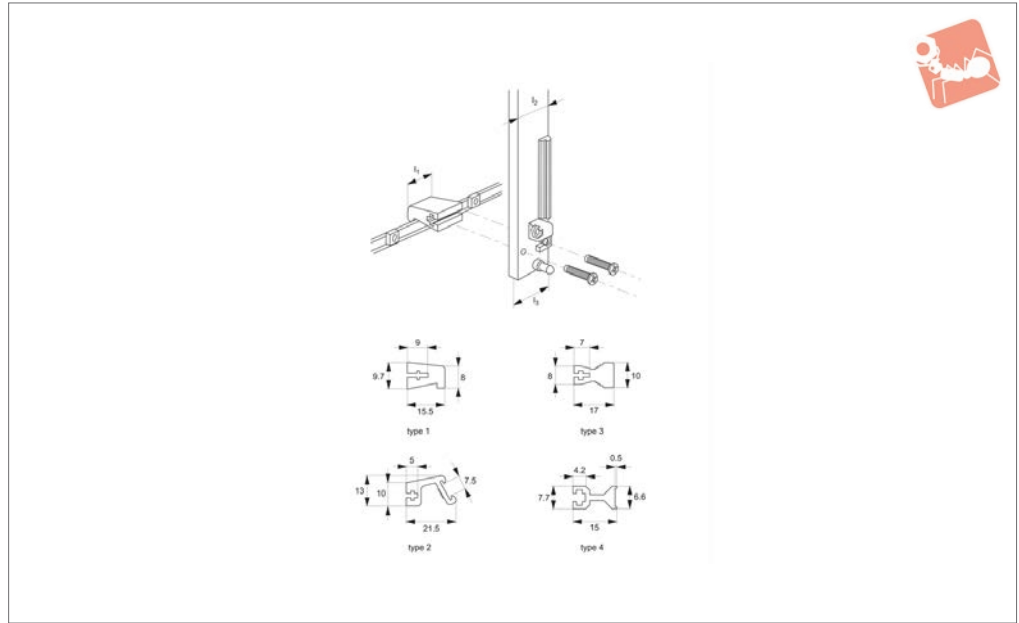
**Technical Notes**

Supplied with stainless steel screws (3.5x20).

Order No.	$l_2$	$h_1$	$h_2$	$h_3$	$l_1$	$t_1$	Weight g
79590.W0050	50	17	38	8	30	2.5	47
79590.W0070	70	17	38	8	46	2.5	65
79590.W0095	95	18	38	8	65	2.5	90



## 79600



### Material

Profiled aluminium AlMgSi 0,5. Vibration ground and anodised, matt finish.

### Technical Notes

All panel handles have a cross slot to suit

either M2,5 screw heads (DIN 933) or nuts DIN 935/562 or 934. TE = unit of grid division (grid scale 5,08mm)

R = TE x 5,08mm. B is approx. R - 0,3mm. L is approx. R - 0,6mm.

Order No.	Type	Colour	$l_2$	$l_1$	$l_3$	Te
79600.W0114-1	One	Natural	15	14.6	15.2	3
79600.W0114-4	One	Black	15	14.6	15.2	3
79600.W0119-1	One	Natural	20.1	19.7	20.3	4
79600.W0119-4	One	Black	20.1	19.7	20.3	4
79600.W0124-1	One	Natural	25.1	24.8	25.4	5
79600.W0124-4	One	Black	25.1	24.8	25.4	5
79600.W0129-1	One	Natural	30.2	29.9	30.5	6
79600.W0129-4	One	Black	30.2	29.9	30.5	6
79600.W0140-1	One	Natural	40.4	40.0	40.6	8
79600.W0140-4	One	Black	40.4	40	40.6	8
79600.W0160-1	One	Natural	60.4	60.3	60.7	12
79600.W0160-4	One	Black	60.4	60.3	60.7	12
79600.W0170-1	One	Natural	70.9	70.5	71.1	14
79600.W0170-4	One	Black	70.9	70.5	71.1	14
79600.W0199-1	One	Natural	101.3	101.0	101.6	20
79600.W0199-4	One	Black	101.3	101.0	101.6	20
79600.W0214-1	Two	Natural	15	14.6	15.2	3
79600.W0214-4	Two	Black	15	14.6	15.2	3
79600.W0219-1	Two	Natural	20.1	19.7	20.3	4
79600.W0219-4	Two	Black	20.1	19.7	20.3	4
79600.W0224-1	Two	Natural	25.1	24.8	25.4	5
79600.W0224-4	Two	Black	25.1	24.8	25.4	5
79600.W0229-1	Two	Natural	30.2	29.9	30.5	6
79600.W0229-4	Two	Black	30.2	29.9	30.5	6
79600.W0240-1	Two	Natural	40.4	40.0	40.6	8
79600.W0240-4	Two	Black	40.4	40	40.6	8
79600.W0260-1	Two	Natural	60.4	60.3	60.7	12
79600.W0260-4	Two	Black	60.4	60.3	60.7	12
79600.W0270-1	Two	Natural	70.9	70.5	71.1	14
79600.W0270-4	Two	Black	70.9	70.5	71.1	14
79600.W0299-1	Two	Natural	101.3	101.0	101.6	20
79600.W0299-4	Two	Black	101.3	101.0	101.6	20
79600.W0314-1	Three	Natural	15	14.6	15.2	3





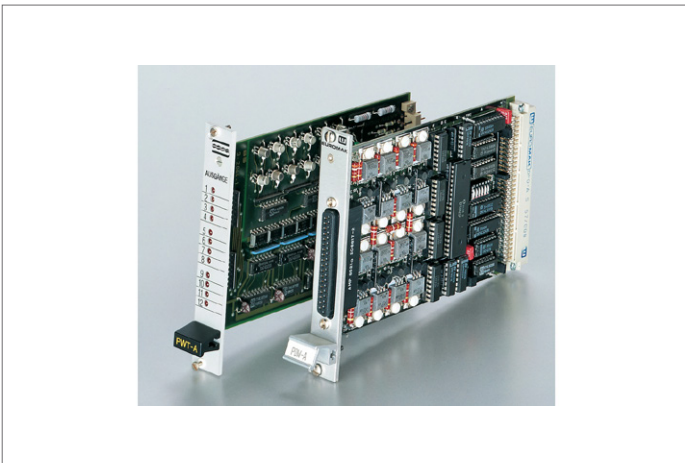
# Panel Handles

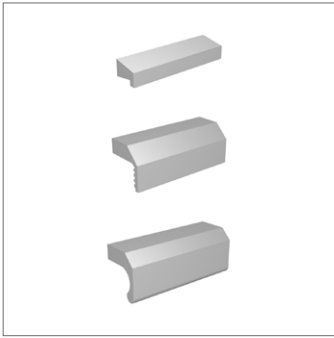
aluminium



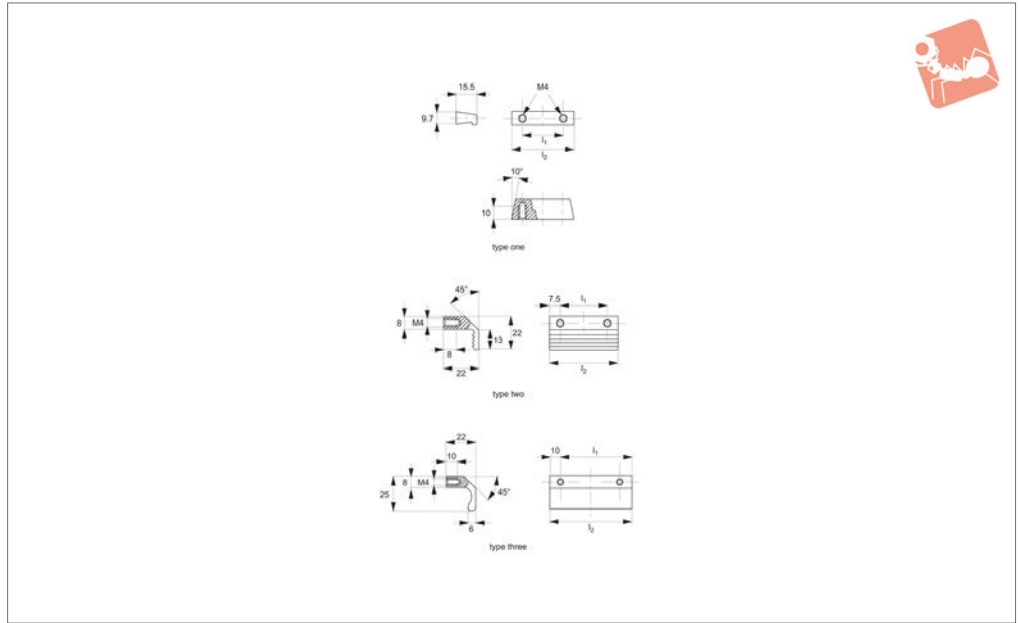
Order No.	Type	Colour	$l_2$	$l_1$	$l_3$	$T_e$
79600.W0314-4	Three	Black	15	14.6	15.2	3
79600.W0319-1	Three	Natural	20.1	19.7	20.3	4
79600.W0319-4	Three	Black	20.1	19.7	20.3	4
79600.W0324-1	Three	Natural	25.1	24.8	25.4	5
79600.W0324-4	Three	Black	25.1	24.8	25.4	5
79600.W0329-1	Three	Natural	30.2	29.9	30.5	6
79600.W0329-4	Three	Black	30.2	29.9	30.5	6
79600.W0340-1	Three	Natural	40.4	40.0	40.6	8
79600.W0340-4	Three	Black	40.4	40	40.6	8
79600.W0360-1	Three	Natural	60.4	60.3	60.7	12
79600.W0360-4	Three	Black	60.4	60.3	60.7	12
79600.W0370-1	Three	Natural	70.9	70.5	71.1	14
79600.W0370-4	Three	Black	70.9	70.5	71.1	14
79600.W0399-1	Three	Natural	101.3	101.0	101.6	20
79600.W0399-4	Three	Black	101.3	101.0	101.6	20
79600.W0414-1	Four	Natural	15	14.6	15.2	3
79600.W0414-4	Four	Black	15	14.6	15.2	3
79600.W0419-1	Four	Natural	20.1	19.7	20.3	4
79600.W0419-4	Four	Black	20.1	19.7	20.3	4
79600.W0424-1	Four	Natural	25.1	24.8	25.4	5
79600.W0424-4	Four	Black	25.1	24.8	25.4	5
79600.W0429-1	Four	Natural	30.2	29.9	30.5	6
79600.W0429-4	Four	Black	30.2	29.9	30.5	6
79600.W0440-1	Four	Natural	40.4	40.0	40.6	8
79600.W0440-4	Four	Black	40.4	40	40.6	8
79600.W0460-1	Four	Natural	60.4	60.3	60.7	12
79600.W0460-4	Four	Black	60.4	60.3	60.7	12
79600.W0470-1	Four	Natural	70.9	70.5	71.1	14
79600.W0470-4	Four	Black	70.9	70.5	71.1	14
79600.W0499-1	Four	Natural	101.3	101.0	101.6	20
79600.W0499-4	Four	Black	101.3	101.0	101.6	20

PULL HANDLES





# 79610



**Material**

Profiled aluminium AlMgSi 0.5. Vibration ground, and anodized with a matt finish in natural colour or black.

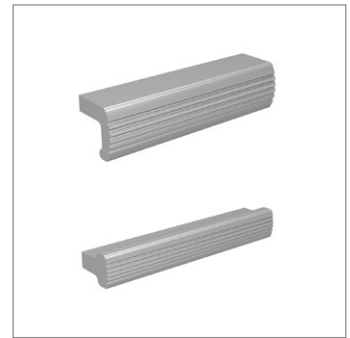
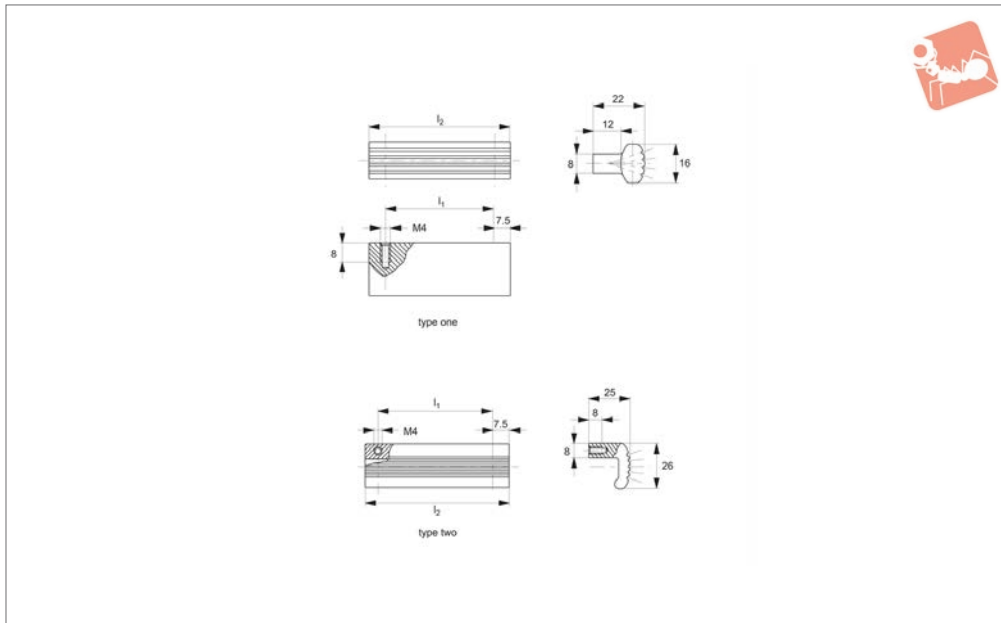
**Technical Notes**

Minimum stress resistance 200N.

**Important Notes**

Any other handle lengths available upon request.

Order No.	Type	Colour	l <sub>2</sub>	l <sub>1</sub>
79610.W0045-1	Type One	Natural	60	45
79610.W0045-4	Type One	Black	60	45
79610.W0070-1	Type One	Natural	85	70
79610.W0070-4	Type One	Black	85	70
79610.W0090-1	Type One	Natural	105	90
79610.W0090-4	Type One	Black	105	90
79610.W0099-1	Type One	Natural	120	105
79610.W0099-4	Type One	Black	120	105
79610.W0145-1	Type Two	Natural	60	45
79610.W0145-4	Type Two	Black	60	45
79610.W0170-1	Type Two	Natural	85	70
79610.W0170-4	Type Two	Black	85	70
79610.W0190-1	Type Two	Natural	105	90
79610.W0190-4	Type Two	Black	105	90
79610.W0199-1	Type Two	Natural	120	105
79610.W0199-4	Type Two	Black	120	105
79610.W0245-1	Type Three	Natural	65	45
79610.W0245-4	Type Three	Black	65	45
79610.W0264-1	Type Three	Natural	84	64
79610.W0264-4	Type Three	Black	84	64
79610.W0270-1	Type Three	Natural	90	70
79610.W0270-4	Type Three	Black	90	70
79610.W0280-1	Type Three	Natural	100	80
79610.W0280-4	Type Three	Black	100	80
79610.W0290-1	Type Three	Natural	110	90
79610.W0290-4	Type Three	Black	110	90



79620

PULL HANDLES

**Material**

Profiled aluminium AlMgSi 0.5. Vibro-polished and anodized to a matt finish.

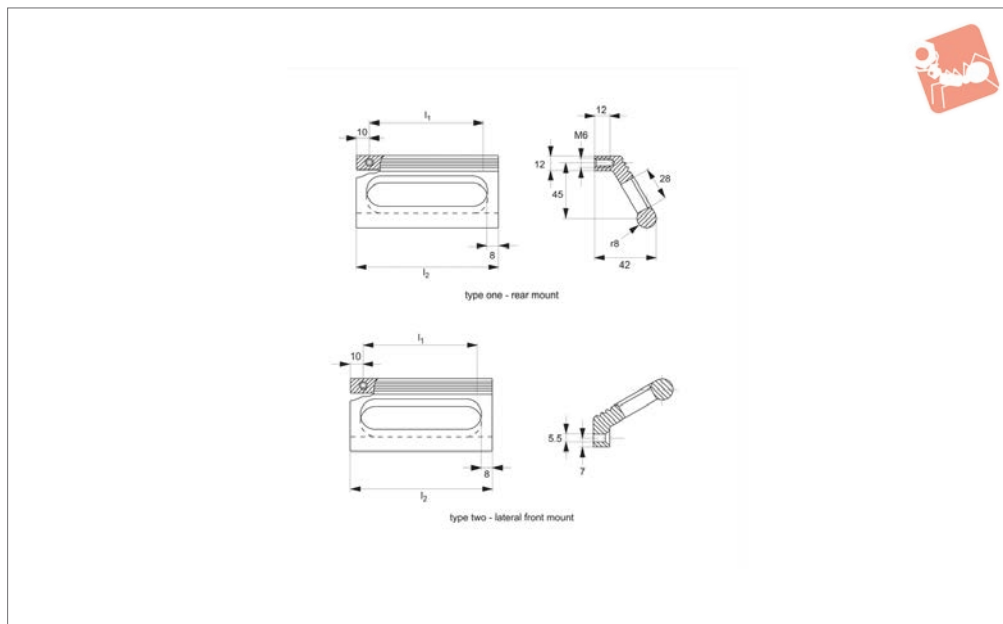
**Technical Notes**

Minimum stress resistance 200N.

Order No.	Type	Finish	$l_2$	$l_1$
79620.W0030-1	One	Natural	45	30
79620.W0030-4	One	Black	45	30
79620.W0045-1	One	Natural	60	45
79620.W0045-4	One	Black	60	45
79620.W0070-1	One	Natural	85	70
79620.W0070-4	One	Black	85	70
79620.W0090-1	One	Natural	105	90
79620.W0090-4	One	Black	105	90
79620.W0105-1	One	Natural	120	105
79620.W0105-4	One	Black	120	105
79620.W0120-1	One	Natural	135	120
79620.W0120-4	One	Black	135	120
79620.W0530-1	Two	Natural	45	30
79620.W0530-4	Two	Black	45	30
79620.W0545-1	Two	Natural	60	45
79620.W0545-4	Two	Black	60	45
79620.W0570-1	Two	Natural	85	70
79620.W0570-4	Two	Black	85	70
79620.W0590-1	Two	Natural	105	90
79620.W0590-4	Two	Black	105	90
79620.W0605-1	Two	Natural	120	105
79620.W0605-4	Two	Black	120	105
79620.W0620-1	Two	Natural	135	120
79620.W0620-4	Two	Black	135	120



**79630**



**Material**

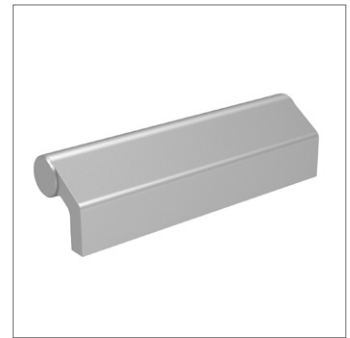
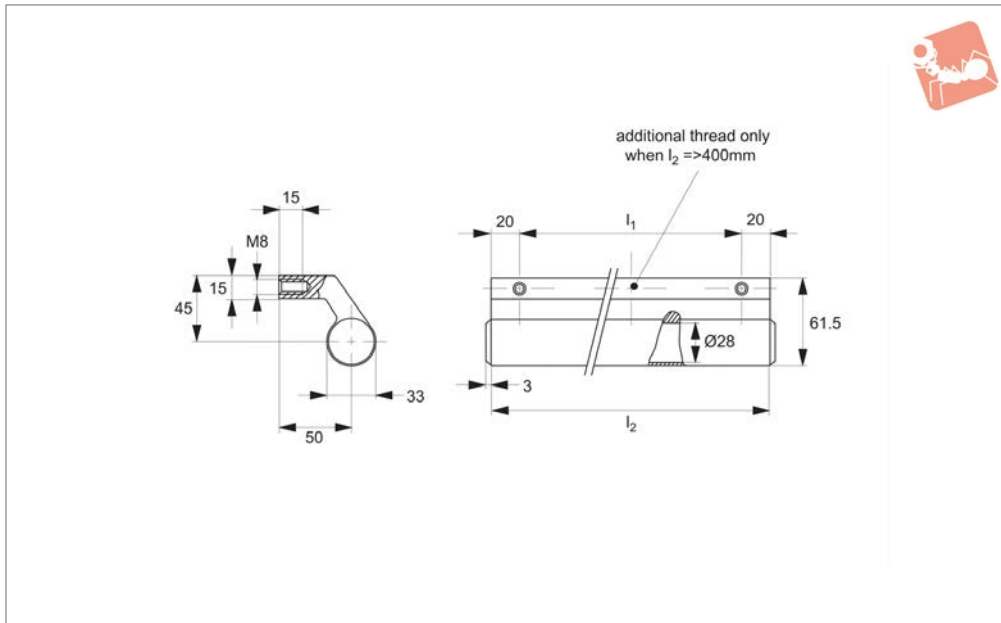
Profile aluminium ALMgSi 0,5. Satin finish anodized in 3 colours.

**Technical Notes**

**Type one:** internal thread M 6. Minimum stress resistance 500N.

**Type two:** through hole for M 5 counter sunk screw, lateral assembly.

Order No.	Type	Finish	$l_2$	$l_1$
79630.W0086-1	One	Natural	106	86
79630.W0086-4	One	Black	106	86
79630.W0100-1	One	Natural	120	100
79630.W0100-4	One	Black	120	100
79630.W0120-1	One	Natural	140	120
79630.W0120-4	One	Black	140	120
79630.W0586-1	Two	Natural	106	86
79630.W0586-4	Two	Black	106	86
79630.W0600-1	Two	Natural	120	100
79630.W0600-4	Two	Black	120	100
79630.W0620-1	Two	Natural	140	120
79630.W0620-4	Two	Black	140	120



## 79650

PULL HANDLES

### Material

Handle: aluminium section AlMgSi 0.5.  
Semi-gloss anodizing in natural colour or black powder coated with fine structure.  
End caps: polyamide, black, with fine-grain

structure.

### Technical Notes

Minimum stress resistance >1000N.

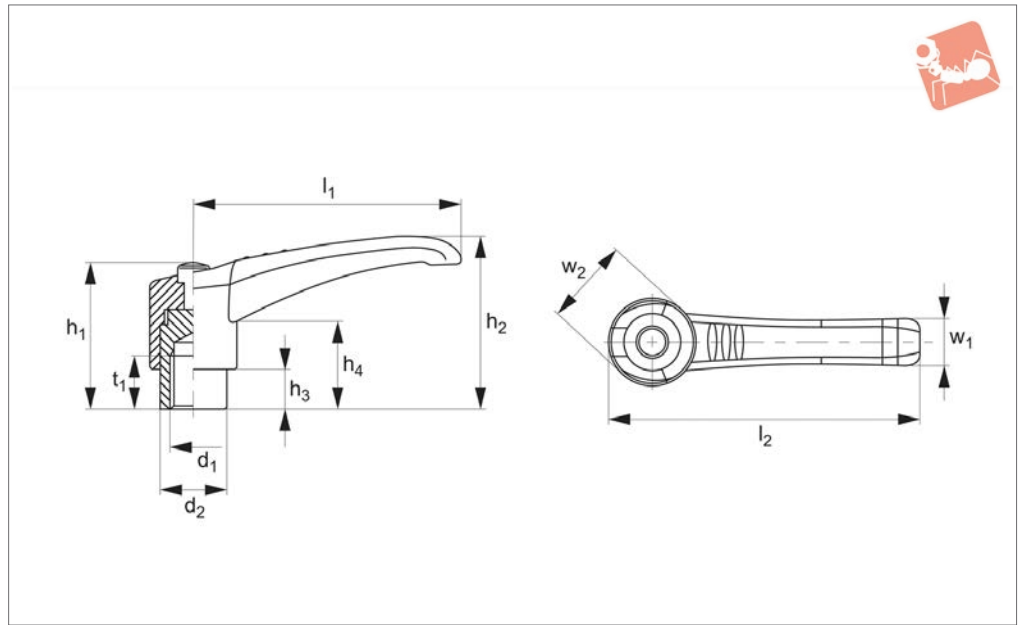
### Tips

For sliding doors and drawers in machinery and technical plants, also suitable as edge protection.

Order No.	Colour	$l_2$	$l_1$
79650.W0110-1	Natural	150	110
79650.W0110-4	Black	150	110
79650.W0160-1	Natural	200	160
79650.W0160-4	Black	200	160
79650.W0210-1	Natural	250	210
79650.W0210-4	Black	250	210
79650.W0260-1	Natural	300	260
79650.W0260-4	Black	300	260
79650.W0310-1	Natural	350	310
79650.W0310-4	Black	350	310
79650.W0360-1	Natural	400	360
79650.W0360-4	Black	400	360
79650.W0460-1	Natural	500	460
79650.W0460-4	Black	500	460
79650.W0560-1	Natural	600	560
79650.W0560-4	Black	600	560



**74760**



**Material**

Black, matt thermoplast, reinforced.  
Insert: zinc plated steel.

Button: black.

subject to minimum quantities.

**Important Notes**

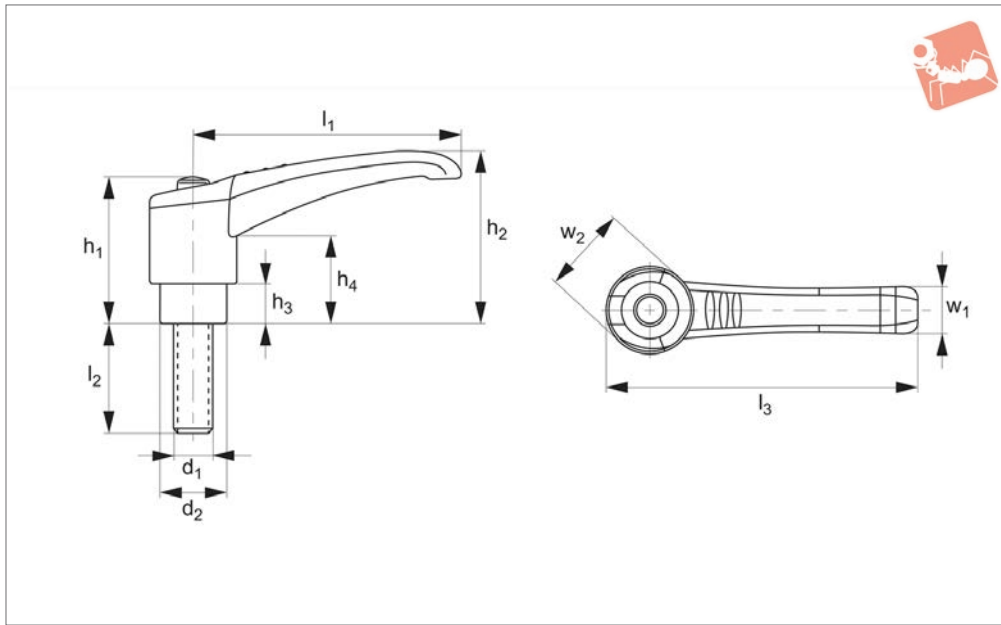
Other button colours available on request

Order No.	$l_1$	$d_1$	$l_2$	$d_2$	$h_1$	$h_2$	$h_3$	$h_4$	$t_1$	$w_1$	$w_2$	Weight g
<b>74760.W0452</b>	45	M 5	53	12	30	33.5	7.5	18	8	10.5	16	22
<b>74760.W0453</b>	45	M 6	53	12	30	33.5	7.5	18	8	10.5	16	24
<b>74760.W0652</b>	65	M 6	75	15	35	41.0	7.5	19	11	13.5	20	26
<b>74760.W0653</b>	65	M 8	75	15	35	41.0	7.5	19	11	13.5	20	24
<b>74760.W0801</b>	80	M 8	92	20	45	53.0	12.0	26	16	16.5	24	55
<b>74760.W0802</b>	80	M10	92	20	45	53.0	12.0	26	16	16.5	24	56
<b>74760.W0803</b>	80	M12	92	20	45	53.0	12.0	26	16	16.5	24	57
<b>74760.W0951</b>	95	M12	108	21	50	61.0	13.0	30	22	19.0	27	83
<b>74760.W0952</b>	95	M14	108	21	50	61.0	13.0	30	22	19.0	27	94
<b>74760.W0953</b>	95	M16	108	21	50	61.0	13.0	30	22	19.0	27	89



# Adjustable Clamping Levers with grub screw

## Clamping Levers



**74780**

CLAMPING LEVERS

### Material

Black, matt thermoplast, reinforced.  
Insert, zinc plated steel.

Button: black.

subject to minimum quantities.

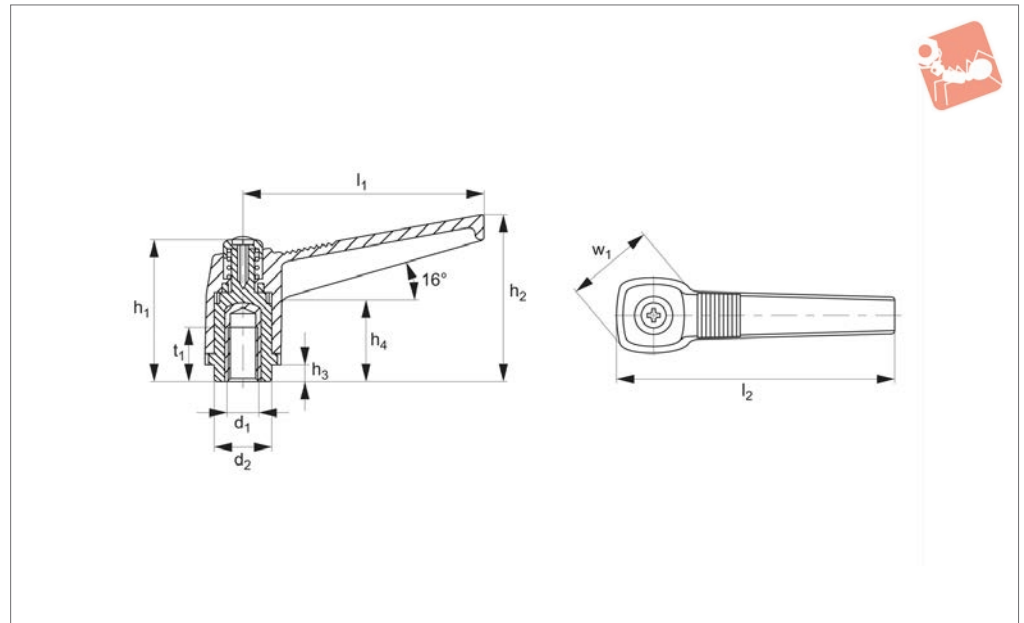
### Important Notes

Other button colours available on request

Order No.	$l_1$	$d_1$	$l_2$	$d_2$	$h_1$	$h_2$	$h_3$	$h_4$	$l_3$	$w_1$	$w_2$	Weight g
74780.W0452	45	M 5	20	12	29	33.5	7.5	18	53	10.5	16	19
74780.W0453	45	M 5	30	12	29	33.5	7.5	18	53	10.5	16	20
74780.W0455	45	M 6	20	12	29	33.5	7.5	18	53	10.5	16	20
74780.W0651	65	M 6	20	15	34	41.0	7.5	19	75	13.5	20	30
74780.W0652	65	M 6	40	15	34	41.0	7.5	19	75	13.5	20	33
74780.W0653	65	M 8	20	15	34	41.0	7.5	19	75	13.5	20	35
74780.W0654	65	M 8	30	15	34	41.0	7.5	19	75	13.5	20	38
74780.W0655	65	M 8	40	15	34	41.0	7.5	19	75	13.5	20	44
74780.W0801	80	M 8	30	20	44	53.0	12.0	26	92	16.5	24	61
74780.W0802	80	M 8	40	20	44	53.0	12.0	26	92	16.5	24	78
74780.W0803	80	M 8	50	20	44	53.0	12.0	26	92	16.5	24	81
74780.W0804	80	M10	20	20	44	53.0	12.0	26	92	16.5	24	74
74780.W0805	80	M10	40	20	44	53.0	12.0	26	92	16.5	24	85
74780.W0806	80	M10	50	20	44	53.0	12.0	26	92	16.5	24	89
74780.W0807	80	M12	40	20	44	53.0	12.0	26	92	16.5	24	101
74780.W0808	80	M12	50	20	44	53.0	12.0	26	92	16.5	24	108
74780.W0951	95	M12	50	21	50	61.0	13.0	30	108	19.0	27	139
74780.W0952	95	M12	70	21	50	61.0	13.0	30	108	19.0	27	154
74780.W0953	95	M14	40	21	50	61.0	13.0	30	108	19.0	27	150
74780.W0954	95	M14	50	21	50	61.0	13.0	30	108	19.0	27	166
74780.W0955	95	M16	50	21	50	61.0	13.0	30	108	19.0	27	193
74780.W0956	95	M16	60	21	50	61.0	13.0	30	108	19.0	27	220



**74800**



**Material**

Black, matt thermoplastic, reinforced.  
Brass insert.

**Technical Notes**

Special size and colours available on request, subject to minimum order quantity.

tity.

Order No.	$l_1$	$d_1$	$l_2$	$d_2$	$h_1$	$h_2$	$h_3$	$h_4$	$t_1$	$w_1$	Weight g
74800.W0421	42	M 4	50	12	29	32	3	17	9	19	11
74800.W0422	42	M 5	50	12	29	32	3	17	9	19	11
74800.W0423	42	M 6	50	12	29	32	3	17	9	19	11
74800.W0631	63	M 5	73	15	39	43	4	21	13	25	23
74800.W0632	63	M 6	73	15	39	43	4	21	13	25	23
74800.W0633	63	M 8	73	15	39	43	4	21	13	25	24
74800.W0801	80	M 8	92	19	48	54	6	27	15	30	44
74800.W0802	80	M10	92	19	48	54	6	27	16	30	44
74800.W0803	80	M12	92	19	48	54	6	27	18	30	45
74800.W0901	100	M12	115	25	58	66	8	30	18	36	83
74800.W0902	100	M14	115	25	58	66	8	30	20	36	84
74800.W0903	100	M16	115	25	58	66	8	30	20	36	87



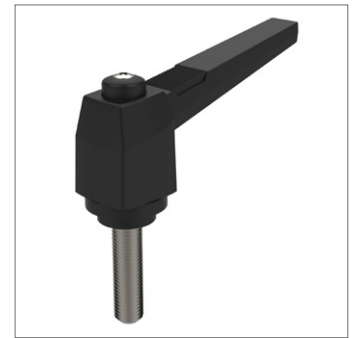
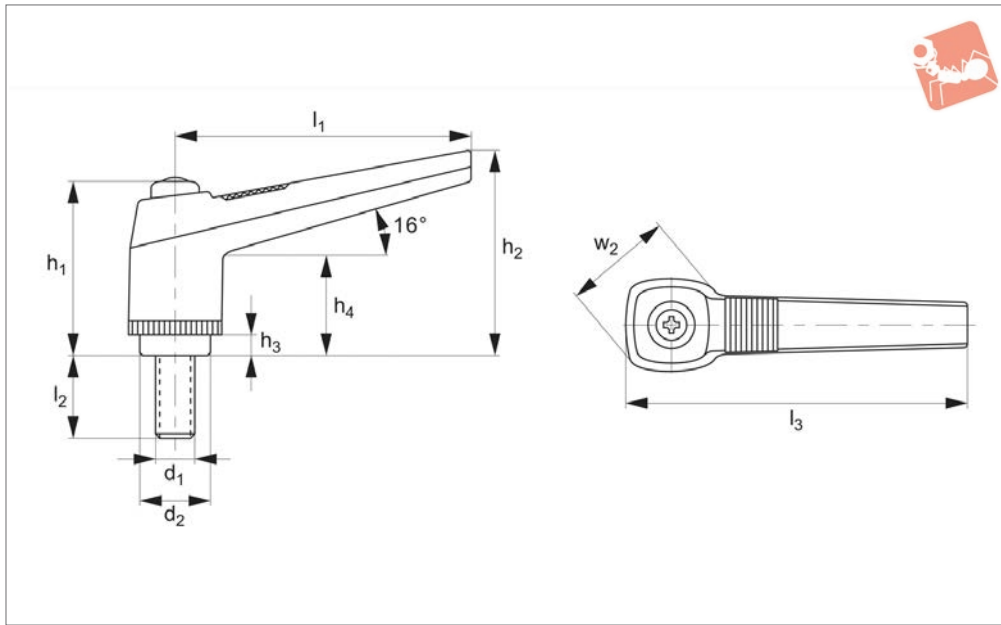


# Adjustable Clamping Levers

grub screw



## Clamping Levers



**74820**

CLAMPING LEVERS

### Material

Black, thermoplastic, glass fibre reinforced. Zinc plated steel stud.

### Technical Notes

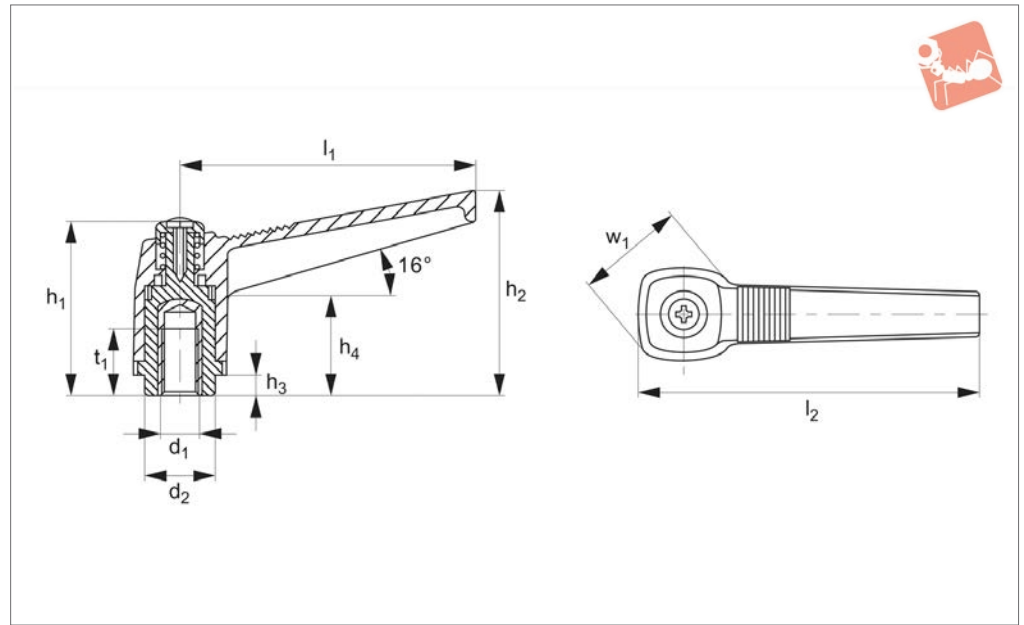
Special size and colours available on request, subject to minimum order quantity.

tity.

Order No.	$l_1$	$d_1$	$l_2$	$d_2$	$h_1$	$h_2$	$h_3$	$h_4$	$l_3$	$w_2$	Weight g
74820.W0541	42	M 4	20	12	29	32	3	17	50	19	11
74820.W0542	42	M 5	20	12	29	32	3	17	50	19	13
74820.W0543	42	M 5	30	12	29	32	3	17	50	19	14
74820.W0544	42	M 6	20	12	29	32	3	17	50	19	15
74820.W0545	42	M 6	30	12	29	32	3	17	50	19	16
74820.W0560	63	M 5	20	15	39	43	4	21	73	25	24
74820.W0561	63	M 6	20	15	39	43	4	21	73	25	28
74820.W0562	63	M 6	25	15	39	43	4	21	73	25	25
74820.W0563	63	M 6	40	15	39	43	4	21	73	25	31
74820.W0564	63	M 8	20	15	39	43	4	21	73	25	33
74820.W0565	63	M 8	25	15	39	43	4	21	73	25	34
74820.W0566	63	M 8	30	15	39	43	4	21	73	25	36
74820.W0567	63	M 8	40	15	39	43	4	21	73	25	38
74820.W0568	63	M 8	50	15	39	43	4	21	73	25	39
74820.W0580	80	M 8	20	19	48	54	6	27	92	30	48
74820.W0581	80	M 8	30	19	48	54	6	27	92	30	51
74820.W0582	80	M 8	40	19	48	54	6	27	92	30	55
74820.W0583	80	M 8	50	19	48	54	6	27	92	30	58
74820.W0584	80	M10	25	19	48	54	6	27	92	30	58
74820.W0585	80	M10	40	19	48	54	6	27	92	30	66
74820.W0586	80	M10	50	19	48	54	6	27	92	30	71
74820.W0587	80	M10	60	19	48	54	6	27	92	30	78
74820.W0588	80	M12	30	19	48	54	6	27	92	30	82
74820.W0589	80	M12	60	19	48	54	6	27	92	30	102
74820.W0600	100	M12	40	25	58	66	8	30	115	36	120
74820.W0601	100	M12	50	25	58	66	8	30	115	36	126
74820.W0602	100	M12	70	25	58	66	8	30	115	36	149
74820.W0603	100	M14	40	25	58	66	8	30	115	36	146
74820.W0604	100	M14	50	25	58	66	8	30	115	36	162
74820.W0605	100	M14	70	25	58	66	8	30	115	36	181
74820.W0606	100	M16	40	25	58	66	8	30	115	36	170
74820.W0607	100	M16	50	25	58	66	8	30	115	36	184
74820.W0608	100	M16	70	25	58	66	8	30	115	36	210



**74830**



**Material**

Black, matt thermoplastic, reinforced.  
Stainless steel insert.

**Technical Notes**

For certain minimum quantities, colours are available on request.

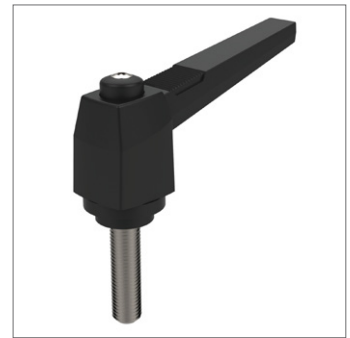
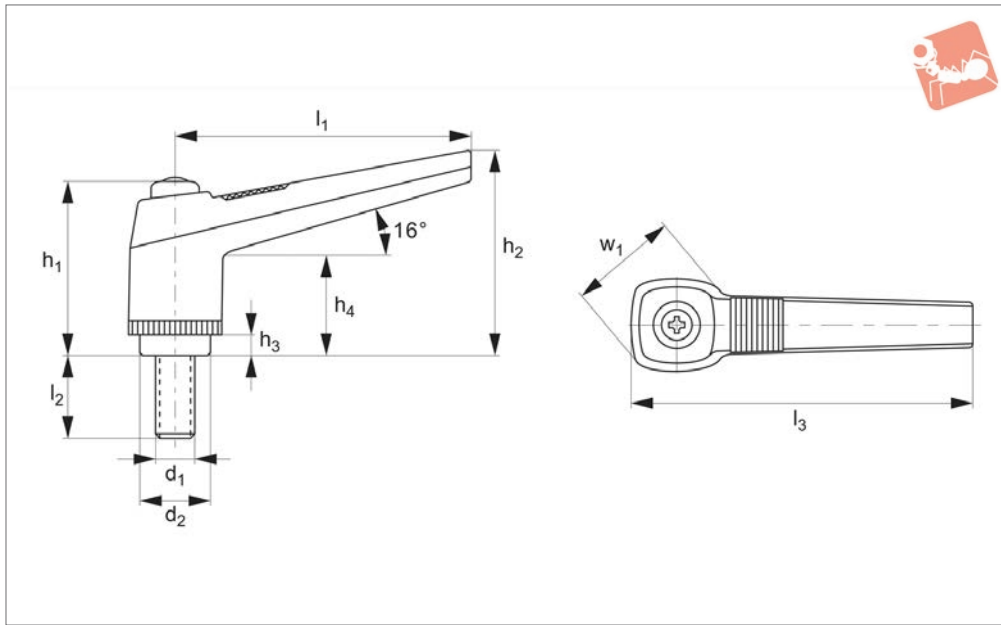
Order No.	$l_1$	$d_1$	$l_2$	$d_2$	$h_1$	$h_2$	$h_3$	$h_4$	$t_1$	$w_1$	Weight g
74830.W0423	42	M 6	50	12	29	32	3	17	9	19	11
74830.W0633	63	M 8	73	15	39	43	4	21	13	25	24
74830.W0802	80	M10	92	19	48	54	6	27	16	30	44



# Adjustable Clamping Levers

stainless steel thread - grub screw

## Clamping Levers



**74840**

CLAMPING LEVERS

### Material

Black, matt thermoplastic with stainless steel thread AISI 303 (1.4305).

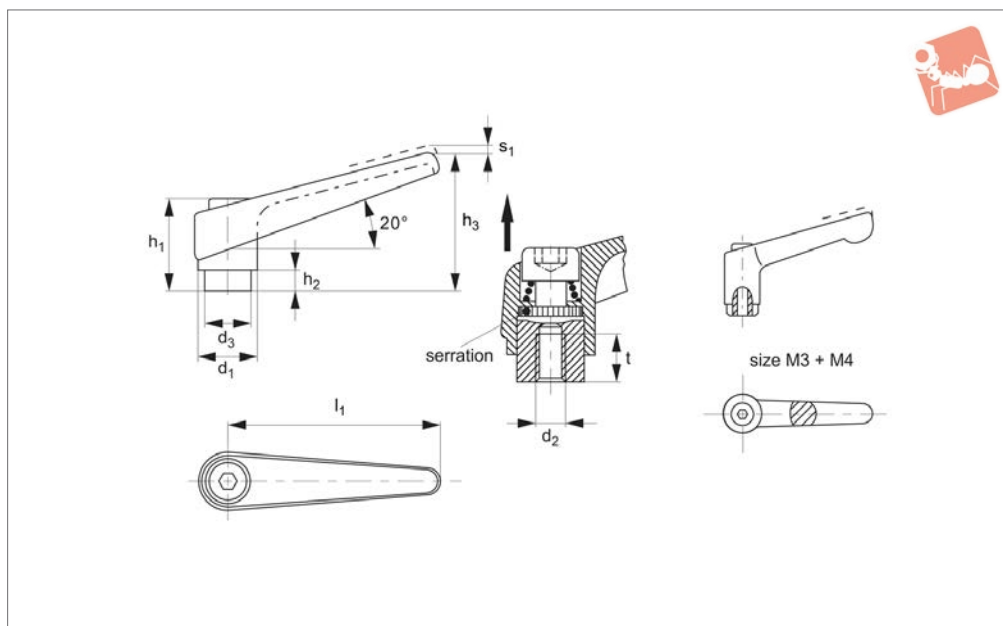
### Technical Notes

Special colours available on request, subject to minimum order quantity.

Order No.	$l_1$	$d_1$	$l_2$	$d_2$	$h_1$	$h_2$	$h_3$	$h_4$	$l_3$	$w_1$	Weight g
74840.W0420	42	M 6	20	12	29	32	3	17	50	19	15
74840.W0430	42	M 6	30	12	29	32	3	17	50	19	16
74840.W0620	63	M 8	20	15	39	43	4	21	73	25	33
74840.W0625	63	M 8	25	15	39	43	4	21	73	25	34
74840.W0630	63	M 8	30	15	39	43	4	21	73	25	36
74840.W0825	80	M10	25	19	48	54	6	27	92	30	58
74840.W0830	80	M10	30	19	48	54	6	27	92	30	61



## 74410



### Material

Handle: die-cast zinc.

- Orange RAL 2004
- Black RAL 9005
- Silver RAL 9006

Inner parts: steel, quality 5.8, blackened.  
Threaded part: steel, quality 5, blackened.

### Technical Notes

By lifting the lever, the serrations are

disengaged. The handle can be positioned by the serrations, and the threaded insert can be exchanged. Upon releasing the handle, the serrations are automatically re-engaged.

Order No.	Colour	Finish	d <sub>1</sub>	d <sub>2</sub>	d <sub>3</sub>	h <sub>1</sub>	h <sub>2</sub>	h <sub>3</sub>	l <sub>2</sub>	Stroke s <sub>1</sub>	t ≤	Weight g
74410.W0032	Orange	Female	13	M 3	10.0	24.5	4.0	30.5	30	3.5	7	25
74410.W0034	Black	Female	13	M 3	10.0	24.5	4.0	30.5	30	3.5	7	25
74410.W0035	Black	Female	13	M 3	10.0	24.5	4.0	30.5	30	3.5	7	26
74410.W0036	Orange	Female	13	M 4	10.0	24.5	4.0	30.5	30	3.5	9	25
74410.W0038	Black	Female	13	M 4	10.0	24.5	4.0	30.5	30	3.5	9	25
74410.W0040	Black	Female	13	M 4	10.0	24.5	4.0	30.5	30	3.5	9	25
74410.W0111	Orange	Female	14	M 5	10.0	24.5	4.0	35.0	45	3.0	8	33
74410.W0113	Grey	Female	14	M 5	10.0	24.5	4.0	35.0	45	3.0	8	33
74410.W0114	Black	Female	14	M 5	10.0	24.5	4.0	35.0	45	3.0	8	33
74410.W0121	Orange	Female	14	M 6	10.0	24.5	4.0	35.0	45	3.0	8	33
74410.W0123	Grey	Female	14	M 6	10.0	24.5	4.0	35.0	45	3.0	8	33
74410.W0124	Black	Female	14	M 6	10.0	24.5	4.0	35.0	45	3.0	8	33
74410.W0311	Orange	Female	18	M 6	13.5	31.0	6.5	45.0	62	3.0	10	67
74410.W0313	Grey	Female	18	M 6	13.5	31.0	6.5	45.0	62	3.0	10	67
74410.W0314	Black	Female	18	M 6	13.5	31.0	6.5	45.0	62	3.0	10	67
74410.W0321	Orange	Female	18	M 8	13.5	31.0	6.5	45.0	62	3.0	10	67
74410.W0323	Grey	Female	18	M 8	13.5	31.0	6.5	45.0	62	3.0	10	67
74410.W0324	Black	Female	18	M 8	13.5	31.0	6.5	45.0	62	3.0	10	67
74410.W0411	Orange	Female	22	M 8	16.0	36.0	8.0	52.0	74	3.5	14	112
74410.W0413	Grey	Female	22	M 8	16.0	36.0	8.0	52.0	74	3.5	14	112
74410.W0414	Black	Female	22	M 8	16.0	36.0	8.0	52.0	74	3.5	14	112
74410.W0421	Orange	Female	22	M10	16.0	36.0	8.0	52.0	74	3.5	14	109
74410.W0423	Grey	Female	22	M10	16.0	36.0	8.0	52.0	74	3.5	14	109
74410.W0424	Black	Female	22	M10	16.0	36.0	8.0	52.0	74	3.5	14	109
74410.W0511	Orange	Female	25	M10	19.0	43.0	11.0	63.0	89	4.0	17	176
74410.W0513	Grey	Female	25	M10	19.0	43.0	11.0	63.0	89	4.0	17	176
74410.W0514	Black	Female	25	M10	19.0	43.0	11.0	63.0	89	4.0	17	176
74410.W0521	Orange	Female	25	M12	19.0	43.0	11.0	63.0	89	4.0	17	171
74410.W0523	Grey	Female	25	M12	19.0	43.0	11.0	63.0	89	4.0	17	171
74410.W0524	Black	Female	25	M12	19.0	43.0	11.0	63.0	89	4.0	17	171
74410.W0611	Orange	Female	30	M12	23.0	50.5	12.0	76.0	108	5.0	22	286
74410.W0613	Grey	Female	30	M12	23.0	50.5	12.0	76.0	108	5.0	22	286
74410.W0614	Black	Female	30	M12	23.0	50.5	12.0	76.0	108	5.0	22	286



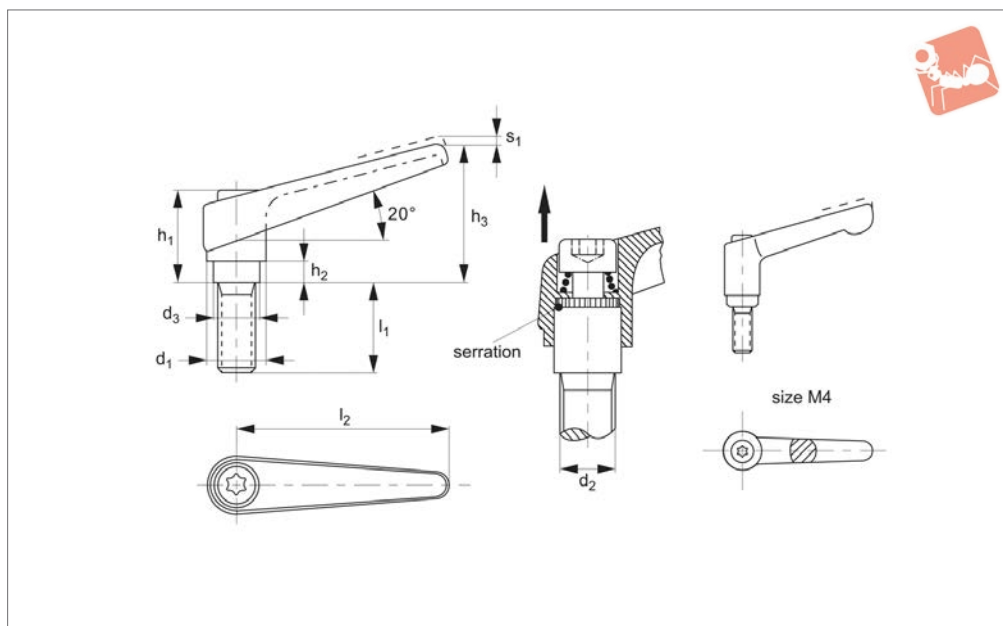
# Adjustable Clamping Levers threaded bore



Order No.	Colour	Finish	d <sub>1</sub>	d <sub>2</sub>	d <sub>3</sub>	h <sub>1</sub>	h <sub>2</sub>	h <sub>3</sub>	l <sub>2</sub>	Stroke s <sub>1</sub>	t ≤	Weight g
<b>74410.W0621</b>	Orange	Female	30	M16	23.0	50.5	12.0	76.0	108	5.0	22	269
<b>74410.W0623</b>	Grey	Female	30	M16	23.0	50.5	12.0	76.0	108	5.0	22	269
<b>74410.W0624</b>	Black	Female	30	M16	23.0	50.5	12.0	76.0	108	5.0	22	269



## 74430



### Material

Handle: die-cast zinc.

- Orange RAL 2004
- Black RAL 9005
- Silver RAL 9006.

Inner parts: steel, quality 5.8, blackened  
Screw: steel, quality 5.8, blackened.

### Technical Notes

By lifting the lever, the serrations are

disengaged. The handle can be positioned by the serrations, and the threaded insert can be exchanged. Upon releasing the handle, the serrations are automatically re-engaged. The collar screw is torx head.

Order No.	Colour	Finish	d <sub>1</sub>	d <sub>2</sub>	d <sub>3</sub>	h <sub>1</sub>	h <sub>2</sub>	h <sub>3</sub>	l <sub>1</sub>	l <sub>2</sub>	Stroke s <sub>1</sub>	Weight g
74430.W0010	Orange	Male thread	13	M 4	10.0	24.5	4.0	30.5	12	30	3.5	27
74430.W0012	Black	Male thread	13	M 4	10.0	24.5	4.0	30.5	12	30	3.5	27
74430.W0014	Orange	Male thread	13	M 4	10.0	24.5	4.0	30.5	16	30	3.5	27
74430.W0016	Black	Male thread	13	M 4	10.0	24.5	4.0	30.5	16	30	3.5	27
74430.W0018	Orange	Male thread	13	M 4	10.0	24.5	4.0	30.5	20	30	3.5	27
74430.W0020	Black	Male thread	13	M 4	10.0	24.5	4.0	30.5	20	30	3.5	27
74430.W0022	Orange	Male thread	13	M 4	10.0	24.5	4.0	30.5	25	30	3.5	28
74430.W0024	Black	Male thread	13	M 4	10.0	24.5	4.0	30.5	25	30	3.5	28
74430.W0026	Orange	Male thread	13	M 4	10.0	24.5	4.0	30.5	32	30	3.5	28
74430.W0028	Black	Male thread	13	M 4	10.0	24.5	4.0	30.5	32	30	3.5	28
74430.W0041	Orange	Male thread	14	M 5	10.0	24.5	4.0	35.0	12	45	3.0	36
74430.W0043	Grey	Male thread	14	M 5	10.0	24.5	4.0	35.0	12	45	3.0	36
74430.W0044	Black	Male thread	14	M 5	10.0	24.5	4.0	35.0	12	45	3.0	36
74430.W0051	Orange	Male thread	14	M 5	10.0	24.5	4.0	35.0	16	45	3.0	36
74430.W0053	Grey	Male thread	14	M 5	10.0	24.5	4.0	35.0	16	45	3.0	36
74430.W0054	Black	Male thread	14	M 5	10.0	24.5	4.0	35.0	16	45	3.0	36
74430.W0061	Orange	Male thread	14	M 5	10.0	24.5	4.0	35.0	20	45	3.0	37
74430.W0063	Grey	Male thread	14	M 5	10.0	24.5	4.0	35.0	20	45	3.0	37
74430.W0064	Black	Male thread	14	M 5	10.0	24.5	4.0	35.0	20	45	3.0	37
74430.W0071	Orange	Male thread	14	M 5	10.0	24.5	4.0	35.0	25	45	3.0	38
74430.W0073	Grey	Male thread	14	M 5	10.0	24.5	4.0	35.0	25	45	3.0	38
74430.W0074	Black	Male thread	14	M 5	10.0	24.5	4.0	35.0	25	45	3.0	38
74430.W0081	Orange	Male thread	14	M 5	10.0	24.5	4.0	35.0	32	45	3.0	38
74430.W0083	Grey	Male thread	14	M 5	10.0	24.5	4.0	35.0	32	45	3.0	38
74430.W0084	Black	Male thread	14	M 5	10.0	24.5	4.0	35.0	32	45	3.0	38
74430.W0086	Orange	Male thread	14	M 5	10.0	24.5	4.0	35.0	40	45	3.0	39
74430.W0088	Grey	Male thread	14	M 5	10.0	24.5	4.0	35.0	40	45	3.0	39
74430.W0089	Black	Male thread	14	M 5	10.0	24.5	4.0	35.0	40	45	3.0	39
74430.W0131	Orange	Male thread	14	M 6	10.0	24.5	4.0	35.0	12	45	3.0	37
74430.W0133	Grey	Male thread	14	M 6	10.0	24.5	4.0	35.0	12	45	3.0	37
74430.W0134	Black	Male thread	14	M 6	10.0	24.5	4.0	35.0	12	45	3.0	37
74430.W0141	Orange	Male thread	14	M 6	10.0	24.5	4.0	35.0	16	45	3.0	37
74430.W0143	Grey	Male thread	14	M 6	10.0	24.5	4.0	35.0	16	45	3.0	37





# Adjustable Clamping Levers with grub screw



Order No.	Colour	Finish	d <sub>1</sub>	d <sub>2</sub>	d <sub>3</sub>	h <sub>1</sub>	h <sub>2</sub>	h <sub>3</sub>	l <sub>1</sub>	l <sub>2</sub>	Stroke s <sub>1</sub>	Weight g
74430.W0144	Black	Male thread	14	M 6	10.0	24.5	4.0	35.0	16	45	3.0	37
74430.W0151	Orange	Male thread	14	M 6	10.0	24.5	4.0	35.0	20	45	3.0	38
74430.W0153	Grey	Male thread	14	M 6	10.0	24.5	4.0	35.0	20	45	3.0	38
74430.W0154	Black	Male thread	14	M 6	10.0	24.5	4.0	35.0	20	45	3.0	38
74430.W0161	Orange	Male thread	14	M 6	10.0	24.5	4.0	35.0	25	45	3.0	39
74430.W0163	Grey	Male thread	14	M 6	10.0	24.5	4.0	35.0	25	45	3.0	39
74430.W0164	Black	Male thread	14	M 6	10.0	24.5	4.0	35.0	25	45	3.0	39
74430.W0171	Orange	Male thread	14	M 6	10.0	24.5	4.0	35.0	32	45	3.0	40
74430.W0173	Grey	Male thread	14	M 6	10.0	24.5	4.0	35.0	32	45	3.0	40
74430.W0174	Black	Male thread	14	M 6	10.0	24.5	4.0	35.0	32	45	3.0	40
74430.W0181	Orange	Male thread	14	M 6	10.0	24.5	4.0	35.0	40	45	3.0	41
74430.W0183	Grey	Male thread	14	M 6	10.0	24.5	4.0	35.0	40	45	3.0	41
74430.W0184	Black	Male thread	14	M 6	10.0	24.5	4.0	35.0	40	45	3.0	41
74430.W0191	Orange	Male thread	14	M 6	10.0	24.5	4.0	35.0	50	45	3.0	43
74430.W0193	Grey	Male thread	14	M 6	10.0	24.5	4.0	35.0	50	45	3.0	43
74430.W0194	Black	Male thread	14	M 6	10.0	24.5	4.0	35.0	50	45	3.0	43
74430.W0221	Orange	Male thread	18	M 6	13.5	31.0	6.5	45.0	16	62	3.0	72
74430.W0223	Grey	Male thread	18	M 6	13.5	31.0	6.5	45.0	16	62	3.0	72
74430.W0224	Black	Male thread	18	M 6	13.5	31.0	6.5	45.0	16	62	3.0	72
74430.W0231	Orange	Male thread	18	M 6	13.5	31.0	6.5	45.0	20	62	3.0	72
74430.W0233	Grey	Male thread	18	M 6	13.5	31.0	6.5	45.0	20	62	3.0	72
74430.W0234	Black	Male thread	18	M 6	13.5	31.0	6.5	45.0	20	62	3.0	72
74430.W0241	Orange	Male thread	18	M 6	13.5	31.0	6.5	45.0	25	62	3.0	74
74430.W0243	Grey	Male thread	18	M 6	13.5	31.0	6.5	45.0	25	62	3.0	74
74430.W0244	Black	Male thread	18	M 6	13.5	31.0	6.5	45.0	25	62	3.0	74
74430.W0251	Orange	Male thread	18	M 6	13.5	31.0	6.5	45.0	32	62	3.0	74
74430.W0253	Grey	Male thread	18	M 6	13.5	31.0	6.5	45.0	32	62	3.0	74
74430.W0254	Black	Male thread	18	M 6	13.5	31.0	6.5	45.0	32	62	3.0	74
74430.W0261	Orange	Male thread	18	M 6	13.5	31.0	6.5	45.0	40	62	3.0	76
74430.W0263	Grey	Male thread	18	M 6	13.5	31.0	6.5	45.0	40	62	3.0	76
74430.W0264	Black	Male thread	18	M 6	13.5	31.0	6.5	45.0	40	62	3.0	76
74430.W0271	Orange	Male thread	18	M 6	13.5	31.0	6.5	45.0	50	62	3.0	76
74430.W0273	Grey	Male thread	18	M 6	13.5	31.0	6.5	45.0	50	62	3.0	76
74430.W0274	Black	Male thread	18	M 6	13.5	31.0	6.5	45.0	50	62	3.0	76
74430.W0281	Orange	Male thread	18	M 6	13.5	31.0	6.5	45.0	63	62	3.0	80
74430.W0283	Grey	Male thread	18	M 6	13.5	31.0	6.5	45.0	63	62	3.0	80
74430.W0284	Black	Male thread	18	M 6	13.5	31.0	6.5	45.0	63	62	3.0	80
74430.W0331	Orange	Male thread	18	M 8	13.5	31.0	6.5	45.0	16	62	3.0	74
74430.W0333	Grey	Male thread	18	M 8	13.5	31.0	6.5	45.0	16	62	3.0	74
74430.W0334	Black	Male thread	18	M 8	13.5	31.0	6.5	45.0	16	62	3.0	74
74430.W0341	Orange	Male thread	18	M 8	13.5	31.0	6.5	45.0	20	62	3.0	76
74430.W0343	Grey	Male thread	18	M 8	13.5	31.0	6.5	45.0	20	62	3.0	76
74430.W0344	Black	Male thread	18	M 8	13.5	31.0	6.5	45.0	20	62	3.0	76
74430.W0351	Orange	Male thread	18	M 8	13.5	31.0	6.5	45.0	25	62	3.0	77
74430.W0353	Grey	Male thread	18	M 8	13.5	31.0	6.5	45.0	25	62	3.0	77
74430.W0354	Black	Male thread	18	M 8	13.5	31.0	6.5	45.0	25	62	3.0	77
74430.W0361	Orange	Male thread	18	M 8	13.5	31.0	6.5	45.0	32	62	3.0	79
74430.W0363	Grey	Male thread	18	M 8	13.5	31.0	6.5	45.0	32	62	3.0	79
74430.W0364	Black	Male thread	18	M 8	13.5	31.0	6.5	45.0	32	62	3.0	79
74430.W0371	Orange	Male thread	18	M 8	13.5	31.0	6.5	45.0	40	62	3.0	81
74430.W0373	Grey	Male thread	18	M 8	13.5	31.0	6.5	45.0	40	62	3.0	81
74430.W0374	Black	Male thread	18	M 8	13.5	31.0	6.5	45.0	40	62	3.0	81
74430.W0381	Orange	Male thread	18	M 8	13.5	31.0	6.5	45.0	50	62	3.0	84
74430.W0383	Grey	Male thread	18	M 8	13.5	31.0	6.5	45.0	50	62	3.0	84
74430.W0384	Black	Male thread	18	M 8	13.5	31.0	6.5	45.0	50	62	3.0	84
74430.W0391	Orange	Male thread	18	M 8	13.5	31.0	6.5	45.0	63	62	3.0	89
74430.W0393	Grey	Male thread	18	M 8	13.5	31.0	6.5	45.0	63	62	3.0	89
74430.W0394	Black	Male thread	18	M 8	13.5	31.0	6.5	45.0	63	62	3.0	89
74430.W0441	Orange	Male thread	22	M10	16.0	36.0	8.0	52.0	20	74	3.5	128
74430.W0443	Grey	Male thread	22	M10	16.0	36.0	8.0	52.0	20	74	3.5	128
74430.W0444	Black	Male thread	22	M10	16.0	36.0	8.0	52.0	20	74	3.5	128
74430.W0451	Orange	Male thread	22	M10	16.0	36.0	8.0	52.0	25	74	3.5	130
74430.W0453	Grey	Male thread	22	M10	16.0	36.0	8.0	52.0	25	74	3.5	130
74430.W0454	Black	Male thread	22	M10	16.0	36.0	8.0	52.0	25	74	3.5	130
74430.W0461	Orange	Male thread	22	M10	16.0	36.0	8.0	52.0	32	74	3.5	134
74430.W0463	Grey	Male thread	22	M10	16.0	36.0	8.0	52.0	32	74	3.5	134
74430.W0464	Black	Male thread	22	M10	16.0	36.0	8.0	52.0	32	74	3.5	134
74430.W0471	Orange	Male thread	22	M10	16.0	36.0	8.0	52.0	40	74	3.5	138

CLAMPING LEVERS



Order No.	Colour	Finish	d <sub>1</sub>	d <sub>2</sub>	d <sub>3</sub>	h <sub>1</sub>	h <sub>2</sub>	h <sub>3</sub>	l <sub>1</sub>	l <sub>2</sub>	Stroke s <sub>1</sub>	Weight g
74430.W0473	Grey	Male thread	22	M10	16.0	36.0	8.0	52.0	40	74	3.5	138
74430.W0474	Black	Male thread	22	M10	16.0	36.0	8.0	52.0	40	74	3.5	138
74430.W0481	Orange	Male thread	22	M10	16.0	36.0	8.0	52.0	50	74	3.5	143
74430.W0483	Grey	Male thread	22	M10	16.0	36.0	8.0	52.0	50	74	3.5	143
74430.W0484	Black	Male thread	22	M10	16.0	36.0	8.0	52.0	50	74	3.5	143
74430.W0486	Orange	Male thread	22	M10	16.0	36.0	8.0	52.0	63	74	3.5	148
74430.W0488	Grey	Male thread	22	M10	16.0	36.0	8.0	52.0	63	74	3.5	148
74430.W0489	Black	Male thread	22	M10	16.0	36.0	8.0	52.0	63	74	3.5	148
74430.W0491	Orange	Male thread	22	M10	16.0	36.0	8.0	52.0	80	74	3.5	157
74430.W0493	Grey	Male thread	22	M10	16.0	36.0	8.0	52.0	80	74	3.5	157
74430.W0494	Black	Male thread	22	M10	16.0	36.0	8.0	52.0	80	74	3.5	157
74430.W0541	Orange	Male thread	25	M12	19.0	43.0	11.0	63.0	25	89	4.0	205
74430.W0543	Grey	Male thread	25	M12	19.0	43.0	11.0	63.0	25	89	4.0	205
74430.W0544	Black	Male thread	25	M12	19.0	43.0	11.0	63.0	25	89	4.0	205
74430.W0551	Orange	Male thread	25	M12	19.0	43.0	11.0	63.0	32	89	4.0	209
74430.W0553	Grey	Male thread	25	M12	19.0	43.0	11.0	63.0	32	89	4.0	209
74430.W0554	Black	Male thread	25	M12	19.0	43.0	11.0	63.0	32	89	4.0	209
74430.W0561	Orange	Male thread	25	M12	19.0	43.0	11.0	63.0	40	89	4.0	215
74430.W0563	Grey	Male thread	25	M12	19.0	43.0	11.0	63.0	40	89	4.0	215
74430.W0564	Black	Male thread	25	M12	19.0	43.0	11.0	63.0	40	89	4.0	215
74430.W0571	Orange	Male thread	25	M12	19.0	43.0	11.0	63.0	50	89	4.0	222
74430.W0573	Grey	Male thread	25	M12	19.0	43.0	11.0	63.0	50	89	4.0	222
74430.W0574	Black	Male thread	25	M12	19.0	43.0	11.0	63.0	50	89	4.0	222
74430.W0581	Orange	Male thread	25	M12	19.0	43.0	11.0	63.0	63	89	4.0	232
74430.W0583	Grey	Male thread	25	M12	19.0	43.0	11.0	63.0	63	89	4.0	232
74430.W0584	Black	Male thread	25	M12	19.0	43.0	11.0	63.0	63	89	4.0	232
74430.W0591	Orange	Male thread	25	M12	19.0	43.0	11.0	63.0	80	89	4.0	244
74430.W0593	Grey	Male thread	25	M12	19.0	43.0	11.0	63.0	80	89	4.0	244
74430.W0594	Black	Male thread	25	M12	19.0	43.0	11.0	63.0	80	89	4.0	244
74430.W0641	Orange	Male thread	30	M16	23.0	50.5	12.0	76.0	32	108	5.0	348
74430.W0643	Grey	Male thread	30	M16	23.0	50.5	12.0	76.0	32	108	5.0	348
74430.W0644	Black	Male thread	30	M16	23.0	50.5	12.0	76.0	32	108	5.0	348
74430.W0651	Orange	Male thread	30	M16	23.0	50.5	12.0	76.0	40	108	5.0	357
74430.W0653	Grey	Male thread	30	M16	23.0	50.5	12.0	76.0	40	108	5.0	357
74430.W0654	Black	Male thread	30	M16	23.0	50.5	12.0	76.0	40	108	5.0	357
74430.W0661	Orange	Male thread	30	M16	23.0	50.5	12.0	76.0	50	108	5.0	370
74430.W0663	Grey	Male thread	30	M16	23.0	50.5	12.0	76.0	50	108	5.0	370
74430.W0664	Black	Male thread	30	M16	23.0	50.5	12.0	76.0	50	108	5.0	370
74430.W0671	Orange	Male thread	30	M16	23.0	50.5	12.0	76.0	63	108	5.0	386
74430.W0673	Grey	Male thread	30	M16	23.0	50.5	12.0	76.0	63	108	5.0	386
74430.W0674	Black	Male thread	30	M16	23.0	50.5	12.0	76.0	63	108	5.0	386
74430.W0681	Orange	Male thread	30	M16	23.0	50.5	12.0	76.0	80	108	5.0	407
74430.W0683	Grey	Male thread	30	M16	23.0	50.5	12.0	76.0	80	108	5.0	407
74430.W0684	Black	Male thread	30	M16	23.0	50.5	12.0	76.0	80	108	5.0	407

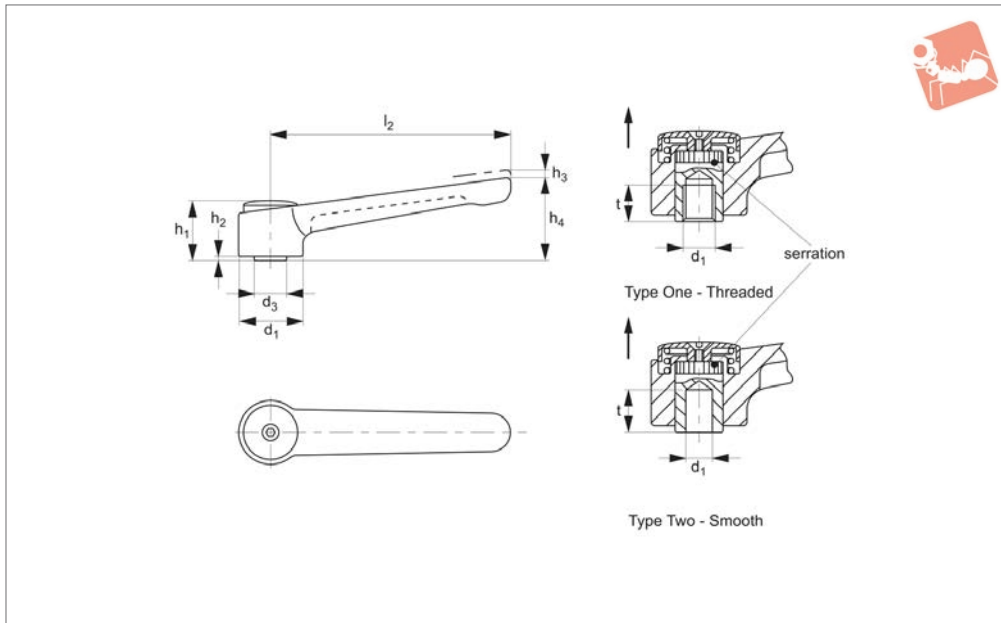




# Adjustable Clamping Levers

cast zinc, inner parts steel

## Clamping Levers



**74490**

CLAMPING LEVERS

### Material

Lever: Zinc die-cast, plastic coated, matt  
 Black - similar to RAL 9005  
 Silver - similar to RAL 9006  
 Inner: Steel, blackened  
 Cover: Plastic.

### Technical Notes

By lifting up the lever, the serrations are disengaged and the handle can then be swung to any position. On releasing the serrations are automatically re-engaged.

Available with smooth bore.

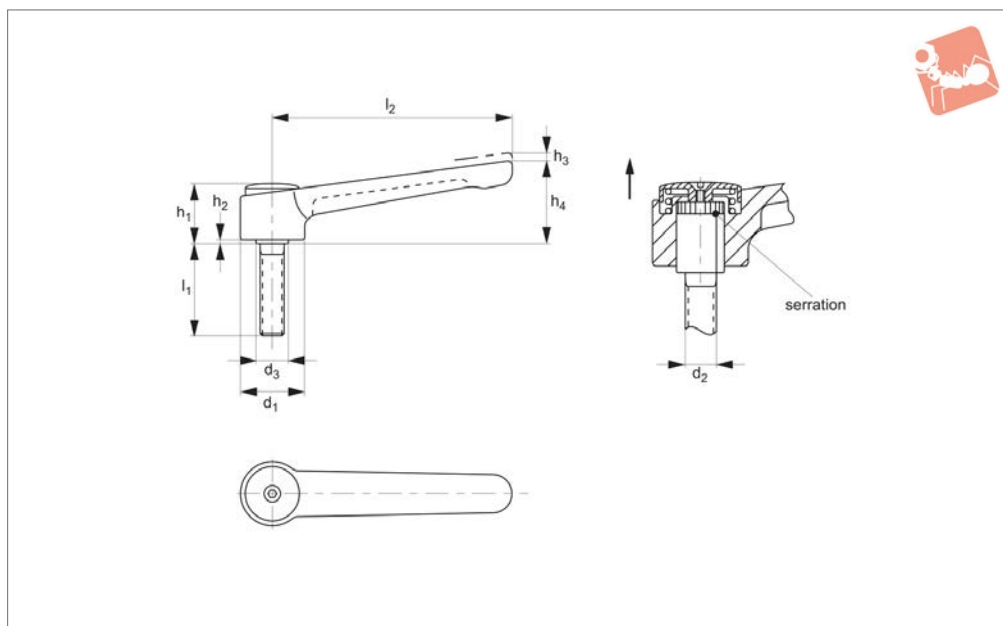
### Tips

Suitable for use in restricted areas due to low height and adjustable lever.

Order No.	Type, colour	d <sub>1</sub>	d <sub>2</sub>	d <sub>2</sub> tol. H7	d <sub>3</sub>	h <sub>1</sub>	h <sub>2</sub>	h <sub>3</sub>	h <sub>4</sub>	l <sub>2</sub>	t min.	Weight g
74490.W0005	One, Black	32	M 8	-	16	29.5	2	2.5	41.5	120	14	186
74490.W0010	One, Black	32	M10	-	16	29.5	2	2.5	41.5	120	14	183
74490.W0015	One, Black	32	M12	-	16	29.5	2	2.5	41.5	120	14	179
74490.W0020	One, Black	40	M12	-	23	42.0	4	4.0	56.0	145	22	313
74490.W0025	One, Black	40	M16	-	23	42.0	4	4.0	56.0	145	22	373
74490.W0105	One, Silver	32	M 8	-	16	29.5	2	2.5	41.5	120	14	186
74490.W0110	One, Silver	32	M10	-	16	29.5	2	2.5	41.5	120	14	183
74490.W0115	One, Silver	32	M12	-	16	29.5	2	2.5	41.5	120	14	179
74490.W0120	One, Silver	40	M12	-	23	42.0	4	4.0	56.0	145	22	313
74490.W0125	One, Silver	40	M16	-	23	42.0	4	4.0	56.0	145	22	373
74490.W0050	Two, Black	32	-	8	16	29.5	2	2.5	41.5	120	14	188
74490.W0051	Two, Black	32	-	10	16	29.5	2	2.5	41.5	120	14	185
74490.W0052	Two, Black	40	-	12	23	42.0	4	4.0	56.0	145	22	387
74490.W0053	Two, Black	40	-	16	23	42.0	4	4.0	56.0	145	22	389
74490.W0150	Two, Silver	32	-	8	16	29.5	2	2.5	41.5	120	14	188
74490.W0151	Two, Silver	32	-	10	16	29.5	2	2.5	41.5	120	14	185
74490.W0152	Two, Silver	40	-	12	23	42.0	4	4.0	56.0	145	22	387
74490.W0153	Two, Silver	40	-	16	23	42.0	4	4.0	56.0	145	22	389



## 74494



### Material

Lever: Zinc die-cast, plastic coated, matt  
 Black - similar to RAL 9005  
 Silver - similar to RAL 9006  
 Inner: Steel, blackened  
 Screw: Steel, blackened  
 Cover: Plastic.

### Technical Notes

By lifting up the lever, the serrations are disengaged and the handle can then be swung to any position. On releasing the serrations are automatically re-engaged.

Screw part can be changed.

### Tips

Suitable for use in restricted areas due to low height and adjustable lever.  
 Screw part can be changed.

Order No.	Colour	d <sub>1</sub>	d <sub>2</sub>	d <sub>3</sub>	h <sub>1</sub>	h <sub>2</sub>	h <sub>3</sub>	h <sub>4</sub>	l <sub>1</sub>	l <sub>2</sub>	Weight g
74494.W0450	Black	32	M10	16	29.5	2	2.5	41.5	20	120	202
74494.W0455	Black	32	M10	16	29.5	2	2.5	41.5	25	120	204
74494.W0460	Black	32	M10	16	29.5	2	2.5	41.5	32	120	207
74494.W0465	Black	32	M10	16	29.5	2	2.5	41.5	40	120	211
74494.W0470	Black	32	M10	16	29.5	2	2.5	41.5	50	120	216
74494.W0475	Black	32	M10	16	29.5	2	2.5	41.5	63	120	222
74494.W0480	Black	32	M10	16	29.5	2	2.5	41.5	80	120	231
74494.W0485	Black	32	M12	16	29.5	2	2.5	41.5	20	120	206
74494.W0490	Black	32	M12	16	29.5	2	2.5	41.5	25	120	210
74494.W0495	Black	32	M12	16	29.5	2	2.5	41.5	32	120	215
74494.W0500	Black	32	M12	16	29.5	2	2.5	41.5	40	120	221
74494.W0505	Black	32	M12	16	29.5	2	2.5	41.5	50	120	228
74494.W0510	Black	32	M12	16	29.5	2	2.5	41.5	63	120	236
74494.W0515	Black	32	M12	16	29.5	2	2.5	41.5	80	120	248
74494.W0525	Black	40	M12	23	42.0	4	4.0	56.0	32	145	434
74494.W0530	Black	40	M12	23	42.0	4	4.0	56.0	40	145	440
74494.W0535	Black	40	M12	23	42.0	4	4.0	56.0	50	145	447
74494.W0540	Black	40	M12	23	42.0	4	4.0	56.0	63	145	455
74494.W0545	Black	40	M12	23	42.0	4	4.0	56.0	80	145	467
74494.W0550	Black	40	M16	23	42.0	4	4.0	56.0	32	145	449
74494.W0555	Black	40	M16	23	42.0	4	4.0	56.0	40	145	460
74494.W0560	Black	40	M16	23	42.0	4	4.0	56.0	50	145	472
74494.W0565	Black	40	M16	23	42.0	4	4.0	56.0	63	145	491
74494.W0570	Black	40	M16	23	42.0	4	4.0	56.0	80	145	513
74494.W0850	Silver	32	M10	16	29.5	2	2.5	41.5	20	120	202
74494.W0855	Silver	32	M10	16	29.5	2	2.5	41.5	25	120	204
74494.W0860	Silver	32	M10	16	29.5	2	2.5	41.5	32	120	207
74494.W0865	Silver	32	M10	16	29.5	2	2.5	41.5	40	120	211
74494.W0870	Silver	32	M10	16	29.5	2	2.5	41.5	50	120	216
74494.W0875	Silver	32	M10	16	29.5	2	2.5	41.5	63	120	222
74494.W0880	Silver	32	M10	16	29.5	2	2.5	41.5	80	120	231



# Adjustable Clamping Levers

cast zinc, inner parts steel

## Clamping Levers

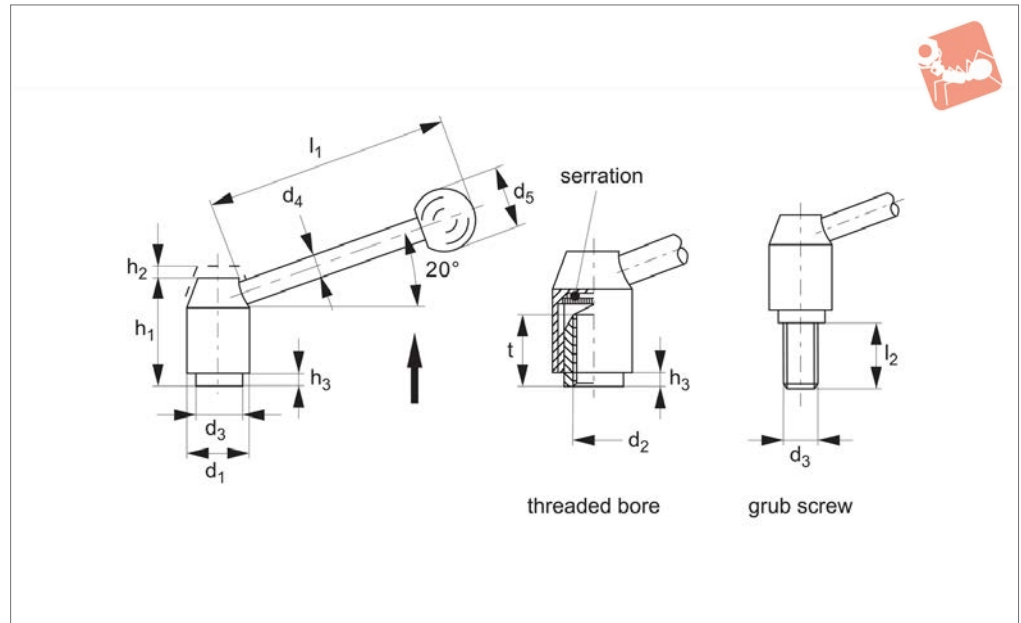


Order No.	Colour	d <sub>1</sub>	d <sub>2</sub>	d <sub>3</sub>	h <sub>1</sub>	h <sub>2</sub>	h <sub>3</sub>	h <sub>4</sub>	l <sub>1</sub>	l <sub>2</sub>	Weight g
<b>74494.W0885</b>	Silver	32	M12	16	29.5	2	2.5	41.5	20	120	206
<b>74494.W0890</b>	Silver	32	M12	16	29.5	2	2.5	41.5	25	120	210
<b>74494.W0895</b>	Silver	32	M12	16	29.5	2	2.5	41.5	32	120	215
<b>74494.W0900</b>	Silver	32	M12	16	29.5	2	2.5	41.5	40	120	221
<b>74494.W0905</b>	Silver	32	M12	16	29.5	2	2.5	41.5	50	120	228
<b>74494.W0910</b>	Silver	32	M12	16	29.5	2	2.5	41.5	63	120	236
<b>74494.W0915</b>	Silver	32	M12	16	29.5	2	2.5	41.5	80	120	248
<b>74494.W0925</b>	Silver	40	M12	23	42.0	4	4.0	56.0	32	145	434
<b>74494.W0930</b>	Silver	40	M12	23	42.0	4	4.0	56.0	40	145	440
<b>74494.W0935</b>	Silver	40	M12	23	42.0	4	4.0	56.0	50	145	447
<b>74494.W0940</b>	Silver	40	M12	23	42.0	4	4.0	56.0	63	145	455
<b>74494.W0945</b>	Silver	40	M12	23	42.0	4	4.0	56.0	80	145	467
<b>74494.W0950</b>	Silver	40	M16	23	42.0	4	4.0	56.0	32	145	449
<b>74494.W0955</b>	Silver	40	M16	23	42.0	4	4.0	56.0	40	145	460
<b>74494.W0960</b>	Silver	40	M16	23	42.0	4	4.0	56.0	50	145	472
<b>74494.W0965</b>	Silver	40	M16	23	42.0	4	4.0	56.0	63	145	491
<b>74494.W0970</b>	Silver	40	M16	23	42.0	4	4.0	56.0	80	145	513

CLAMPING LEVERS



## 74500



### Material

Lever: free cutting steel, blackened.  
Screw & inner parts: steel, quality 5.8, blackened.

Ball knob: DIN 319 plastic. (PF 31), black.

### Technical Notes

By lifting up the lever, the serrations are

disengaged and the handle can then be swung to any position. On releasing the serrations are automatically re-engaged.

Order No.	Finish	d <sub>1</sub>	d <sub>2</sub>	d <sub>3</sub>	d <sub>4</sub>	d <sub>5</sub>	h <sub>1</sub>	h <sub>2</sub>	h <sub>3</sub>	l <sub>1</sub> ≈	l <sub>2</sub>	t min.	Weight g
74500.W0101	Threaded Bore	21	M 6	13.5	8	20	33.5	4.0	1.0	70	-	11	91
74500.W0102	Threaded Bore	21	M 8	13.5	8	20	33.5	4.0	1.0	70	-	11	89
74500.W0201	Threaded Bore	24	M 8	16.0	10	25	40.0	4.5	2.5	96	-	14	159
74500.W0202	Threaded Bore	24	M10	16.0	10	25	40.0	4.5	2.5	96	-	14	153
74500.W0301	Threaded Bore	28	M10	19.0	12	30	48.5	4.5	4.5	110	-	17	255
74500.W0302	Threaded Bore	28	M12	19.0	12	30	48.5	4.5	4.5	110	-	17	248
74500.W0401	Threaded Bore	33	M12	23.0	12	32	55.0	5.5	6.0	124	-	23	361
74500.W0402	Threaded Bore	33	M16	23.0	12	32	55.0	5.5	6.0	124	-	23	347
74500.W0501	Threaded Bore	40	M16	30.0	14	35	68.0	5.5	6.0	138	-	36	622
74500.W0502	Threaded Bore	40	M20	30.0	14	35	68.0	5.5	6.0	138	-	36	599
74500.W0120	Grub Screw	21	M 8	13.5	8	20	33.5	4.0	1.0	70	12	-	98
74500.W0122	Grub Screw	21	M 8	13.5	8	20	33.5	4.0	1.0	70	16	-	99
74500.W0124	Grub Screw	21	M 8	13.5	8	20	33.5	4.0	1.0	70	20	-	103
74500.W0126	Grub Screw	21	M 8	13.5	8	20	33.5	4.0	1.0	70	25	-	102
74500.W0128	Grub Screw	21	M 8	13.5	8	20	33.5	4.0	1.0	70	32	-	105
74500.W0130	Grub Screw	21	M 8	13.5	8	20	33.5	4.0	1.0	70	40	-	112
74500.W0132	Grub Screw	21	M 8	13.5	8	20	33.5	4.0	1.0	70	50	-	109
74500.W0134	Grub Screw	21	M 8	13.5	8	20	33.5	4.0	1.0	70	63	-	114
74500.W0220	Grub Screw	24	M10	16.0	10	25	40.0	4.5	2.5	96	16	-	172
74500.W0222	Grub Screw	24	M10	16.0	10	25	40.0	4.5	2.5	96	20	-	173
74500.W0224	Grub Screw	24	M10	16.0	10	25	40.0	4.5	2.5	96	25	-	174
74500.W0226	Grub Screw	24	M10	16.0	10	25	40.0	4.5	2.5	96	32	-	177
74500.W0228	Grub Screw	24	M10	16.0	10	25	40.0	4.5	2.5	96	40	-	184
74500.W0230	Grub Screw	24	M10	16.0	10	25	40.0	4.5	2.5	96	50	-	185
74500.W0232	Grub Screw	24	M10	16.0	10	25	40.0	4.5	2.5	96	63	-	195
74500.W0234	Grub Screw	24	M10	16.0	10	25	40.0	4.5	2.5	96	80	-	205
74500.W0318	Grub Screw	28	M12	19.0	12	30	48.5	4.5	4.5	110	16	-	277
74500.W0320	Grub Screw	28	M12	19.0	12	30	48.5	4.5	4.5	110	20	-	282
74500.W0322	Grub Screw	28	M12	19.0	12	30	48.5	4.5	4.5	110	25	-	283
74500.W0324	Grub Screw	28	M12	19.0	12	30	48.5	4.5	4.5	110	32	-	287
74500.W0326	Grub Screw	28	M12	19.0	12	30	48.5	4.5	4.5	110	40	-	298
74500.W0328	Grub Screw	28	M12	19.0	12	30	48.5	4.5	4.5	110	50	-	302
74500.W0330	Grub Screw	28	M12	19.0	12	30	48.5	4.5	4.5	110	63	-	312
74500.W0332	Grub Screw	28	M12	19.0	12	30	48.5	4.5	4.5	110	80	-	320



# Adjustable Clamping Levers

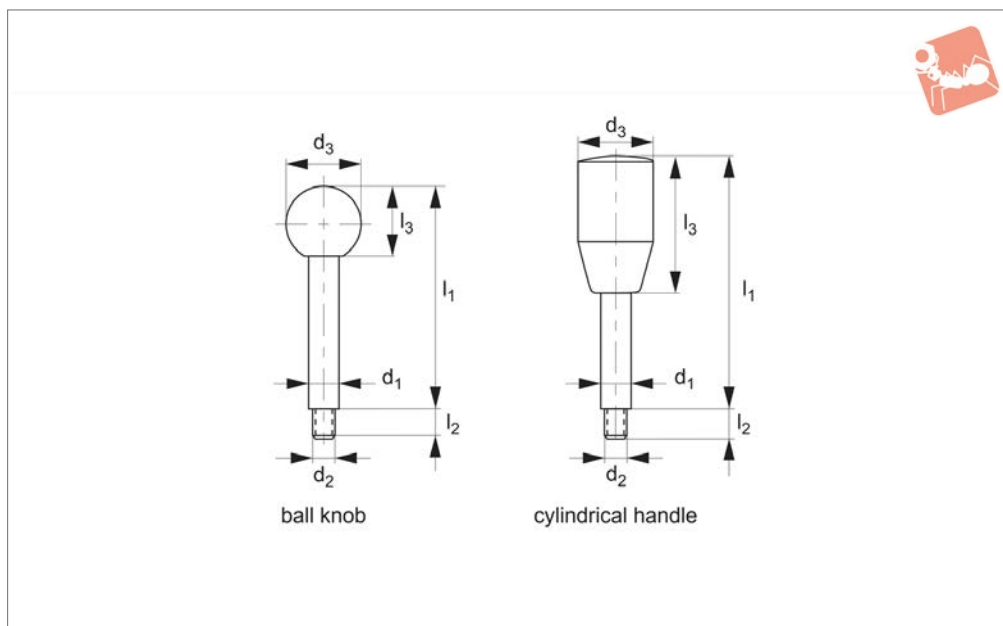


Order No.	Finish	d <sub>1</sub>	d <sub>2</sub>	d <sub>3</sub>	d <sub>4</sub>	d <sub>5</sub>	h <sub>1</sub>	h <sub>2</sub>	h <sub>3</sub>	l <sub>1</sub> ≈	l <sub>2</sub>	t min.	Weight g
<b>74500.W0422</b>	Grub Screw	33	M16	23.0	12	32	55.0	5.5	6.0	124	32	-	422
<b>74500.W0424</b>	Grub Screw	33	M16	23.0	12	32	55.0	5.5	6.0	124	40	-	439
<b>74500.W0426</b>	Grub Screw	33	M16	23.0	12	32	55.0	5.5	6.0	124	50	-	446
<b>74500.W0428</b>	Grub Screw	33	M16	23.0	12	32	55.0	5.5	6.0	124	63	-	461
<b>74500.W0430</b>	Grub Screw	33	M16	23.0	12	32	55.0	5.5	6.0	124	80	-	486
<b>74500.W0520</b>	Grub Screw	40	M20	30.0	14	35	68.0	5.5	6.0	138	40	-	772
<b>74500.W0522</b>	Grub Screw	40	M20	30.0	14	35	68.0	5.5	6.0	138	50	-	792
<b>74500.W0524</b>	Grub Screw	40	M20	30.0	14	35	68.0	5.5	6.0	138	63	-	826
<b>74500.W0526</b>	Grub Screw	40	M20	30.0	14	35	68.0	5.5	6.0	138	80	-	859

CLAMPING LEVERS



## 74600



### Material

Shafts: steel, galvanized, passivated or stainless steel 1.4305 (AISI 303) - matt

finish.

Temperature range 110°C.  
Knobs: plastic, duroplast PF 31.

### Technical Notes

Temperature range up to 110°C

Order No.	Type	d <sub>1</sub>	d <sub>2</sub>	d <sub>3</sub>	l <sub>1</sub>	l <sub>2</sub>	l <sub>3</sub>	Weight g
74600.W0020	Steel Shaft - Ball	8	M 6	20	63	9	18.0	30
74600.W0022	Steel Shaft - Ball	8	M 6	20	100	9	18.0	39
74600.W0025	Steel Shaft - Ball	10	M 8	25	80	11	22.5	50
74600.W0026	Steel Shaft - Ball	10	M 8	25	100	11	22.5	62
74600.W0027	Steel Shaft - Ball	10	M 8	25	125	11	22.5	76
74600.W0032	Steel Shaft - Ball	12	M10	32	100	14	29.0	96
74600.W0033	Steel Shaft - Ball	12	M10	32	125	14	29.0	118
74600.W0034	Steel Shaft - Ball	12	M10	32	160	14	29.0	146
74600.W0035	Steel Shaft - Ball	14	M12	35	125	16	32.5	157
74600.W0036	Steel Shaft - Ball	14	M12	35	160	16	32.5	203
74600.W0037	Steel Shaft - Ball	14	M12	35	200	16	32.5	251
74600.W0040	Steel Shaft - Ball	16	M14	40	160	18	37.0	310
74600.W0041	Steel Shaft - Ball	16	M14	40	200	18	37.0	326
74600.W0042	Steel Shaft - Ball	16	M14	40	250	18	37.0	397
74600.W0520	Stainless Shaft - Ball	8	M 6	20	63	9	18.0	30
74600.W0522	Stainless Shaft - Ball	8	M 6	20	100	9	18.0	44
74600.W0525	Stainless Shaft - Ball	10	M 8	25	80	11	22.5	55
74600.W0526	Stainless Shaft - Ball	10	M 8	25	100	11	22.5	63
74600.W0527	Stainless Shaft - Ball	10	M 8	25	125	11	22.5	78
74600.W0530	Stainless Shaft - Ball	12	M10	32	100	14	29.0	97
74600.W0531	Stainless Shaft - Ball	12	M10	32	125	14	29.0	120
74600.W0532	Stainless Shaft - Ball	12	M10	32	160	14	29.0	154
74600.W0535	Stainless Shaft - Ball	14	M12	35	125	16	32.5	159
74600.W0536	Stainless Shaft - Ball	14	M12	35	160	16	32.5	202
74600.W0537	Stainless Shaft - Ball	14	M12	35	200	16	32.5	250
74600.W0120	Steel Shaft - Taper	8	M 6	18	63	9	40.0	26
74600.W0122	Steel Shaft - Taper	8	M 6	18	100	9	40.0	42
74600.W0125	Steel Shaft - Taper	10	M 8	21	80	11	50.0	50
74600.W0126	Steel Shaft - Taper	10	M 8	21	100	11	50.0	62
74600.W0127	Steel Shaft - Taper	10	M 8	21	125	11	50.0	78
74600.W0130	Steel Shaft - Taper	12	M10	23	100	14	65.0	81
74600.W0131	Steel Shaft - Taper	12	M10	23	125	14	65.0	103
74600.W0132	Steel Shaft - Taper	12	M10	23	160	14	65.0	133
74600.W0135	Steel Shaft - Taper	14	M12	26	125	16	80.0	125



## Gear Lever Handles

steel or stainless steel



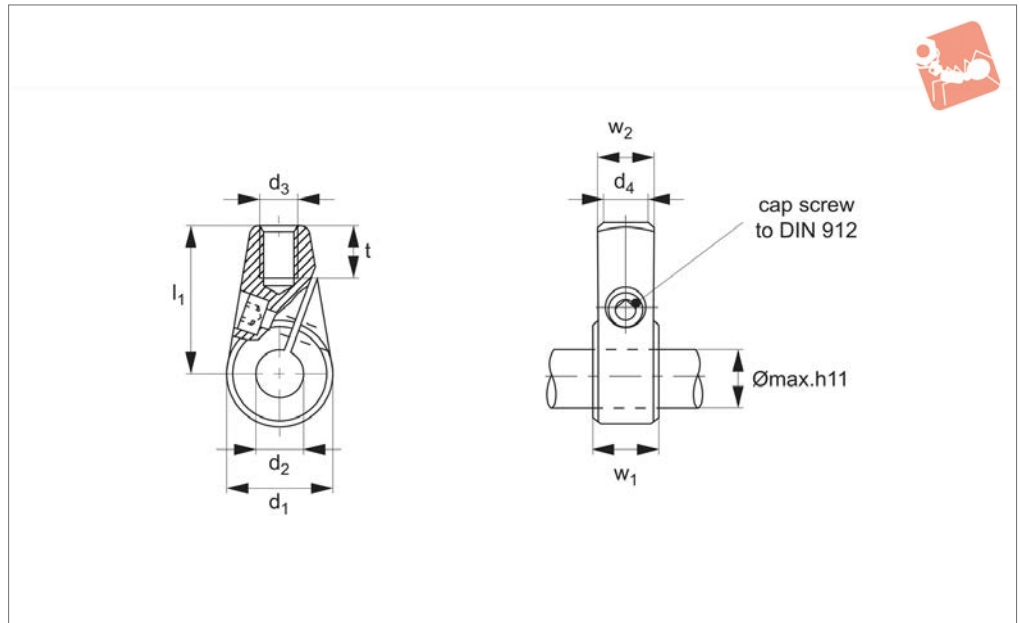
## Clamping Levers

Order No.	Type	d <sub>1</sub>	d <sub>2</sub>	d <sub>3</sub>	l <sub>1</sub>	l <sub>2</sub>	l <sub>3</sub>	Weight g
<b>74600.W0136</b>	Steel Shaft - Taper	14	M12	26	160	16	80.0	168
<b>74600.W0137</b>	Steel Shaft - Taper	14	M12	26	200	16	80.0	216
<b>74600.W0140</b>	Steel Shaft - Taper	16	M14	28	160	18	90.0	214
<b>74600.W0141</b>	Steel Shaft - Taper	16	M14	28	200	18	90.0	273
<b>74600.W0142</b>	Steel Shaft - Taper	16	M14	28	250	18	90.0	352
<b>74600.W0620</b>	Stainless Shaft - Taper	8	M 6	18	63	9	40.0	27
<b>74600.W0622</b>	Stainless Shaft - Taper	8	M 6	18	80	9	40.0	33
<b>74600.W0624</b>	Stainless Shaft - Taper	8	M 6	18	100	9	40.0	41
<b>74600.W0630</b>	Stainless Shaft - Taper	10	M 8	21	80	11	50.0	50
<b>74600.W0632</b>	Stainless Shaft - Taper	10	M 8	21	100	11	50.0	62
<b>74600.W0634</b>	Stainless Shaft - Taper	10	M 8	21	125	11	50.0	78
<b>74600.W0640</b>	Stainless Shaft - Taper	12	M10	23	100	14	65.0	81
<b>74600.W0642</b>	Stainless Shaft - Taper	12	M10	23	125	14	65.0	103
<b>74600.W0644</b>	Stainless Shaft - Taper	12	M10	23	160	14	65.0	133
<b>74600.W0650</b>	Stainless Shaft - Taper	14	M12	26	125	16	80.0	125
<b>74600.W0652</b>	Stainless Shaft - Taper	14	M12	26	160	16	80.0	168
<b>74600.W0654</b>	Stainless Shaft - Taper	14	M12	26	200	16	80.0	216

CLAMPING LEVERS



**74700**



**Material**

Sintered steel.

machining. Eliminates clamping parts and assembly work.

**Technical Notes**

Ideal for mounting on shafts without prior

Order No.	d <sub>1</sub>	d <sub>2</sub>	Weight g	w <sub>1</sub> ±0.2	w <sub>2</sub>	d <sub>3</sub>	d <sub>4</sub>	l <sub>1</sub>	t min.	Weight g
<b>74700.W0024</b>	24	10	64	15.5	13	M 8	10	36	11	64
<b>74700.W0025</b>	24	12	64	15.5	13	M 8	10	36	11	64
<b>74700.W0029</b>	28	14	94	17.5	15	M10	12	41	14	94
<b>74700.W0033</b>	32	16	137	19.5	17	M12	14	45	16	137



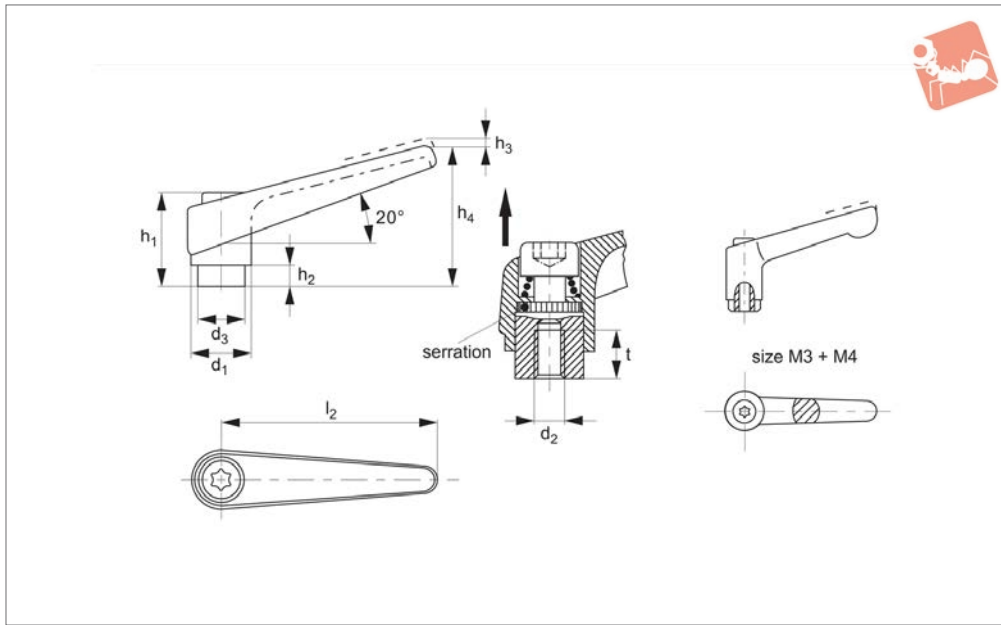


# Adjustable Clamping Levers

threaded bore, inner parts **stainless steel**



## Clamping Levers



**74440**

CLAMPING LEVERS

### Material

Handle: die-cast zinc,

- Orange RAL 2004

- Black RAL 9005

Inner parts: stainless steel 1,4305 (AISI 303).

Threaded part: stainless steel 1.4305.

(AISI 303).

### Technical Notes

By lifting the lever, the serrations are disengaged. The handle can be positioned by the serrations, and the threaded insert can be exchanged. Upon releasing the

handle, the serrations are automatically re-engaged. The collar screw is torx head.

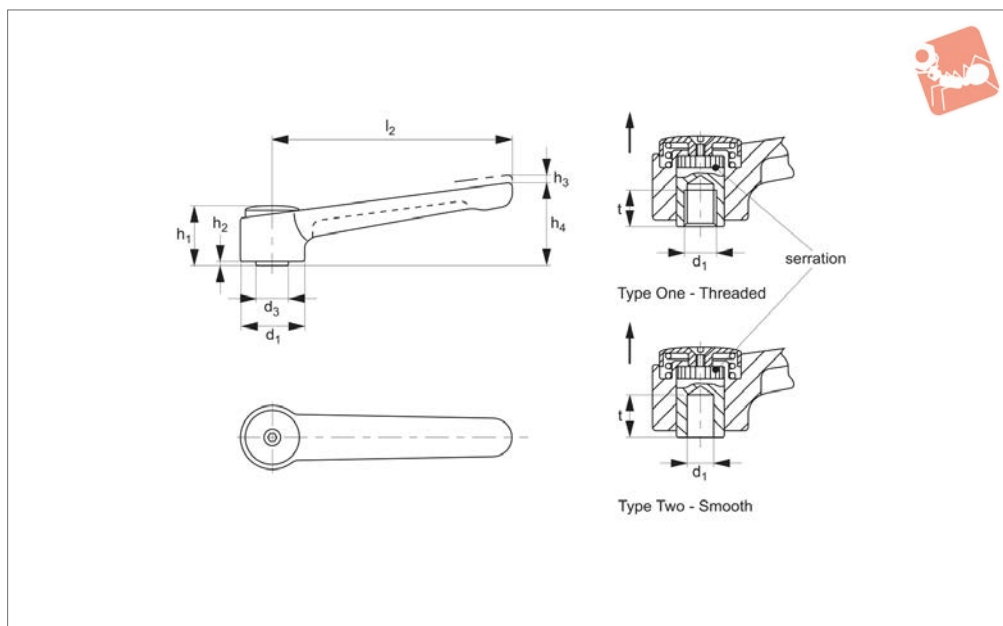
### Tips

Suitable for medical and chemical industry applications.

Order No.	Colour	d <sub>1</sub>	d <sub>2</sub>	d <sub>3</sub>	h <sub>1</sub>	h <sub>2</sub>	h <sub>3</sub>	h <sub>4</sub>	l <sub>2</sub>	t ≤	Weight g
74440.W0032	Orange	13	M 3	10.0	24.5	4.0	3.5	30.5	30	7	25
74440.W0036	Orange	13	M 4	10.0	24.5	4.0	3.5	30.5	30	9	25
74440.W0111	Orange	14	M 5	10.0	24.5	4.0	3.0	35.0	45	8	33
74440.W0121	Orange	14	M 6	10.0	24.5	4.0	3.0	35.0	45	8	33
74440.W0321	Orange	18	M 8	13.5	31.0	6.5	3.0	45.0	62	10	67
74440.W0411	Orange	22	M 8	16.0	36.0	8.0	3.5	52.0	74	14	112
74440.W0421	Orange	22	M10	16.0	36.0	8.0	3.5	52.0	74	14	109
74440.W0511	Orange	25	M10	19.0	43.0	11.0	4.0	63.0	89	17	175
74440.W0521	Orange	25	M12	19.0	43.0	11.0	4.0	63.0	89	17	171
74440.W0611	Orange	30	M12	23.0	50.5	12.0	5.0	76.0	108	22	286
74440.W0621	Orange	30	M16	23.0	50.5	12.0	5.0	76.0	108	22	269
74440.W0034	Black	13	M 3	10.0	24.5	4.0	3.5	30.5	30	7	25
74440.W0038	Black	13	M 4	10.0	24.5	4.0	3.5	30.5	30	9	25
74440.W0114	Black	14	M 5	10.0	24.5	4.0	3.0	35.0	45	8	33
74440.W0124	Black	14	M 6	10.0	24.5	4.0	3.0	35.0	45	8	33
74440.W0324	Black	18	M 8	13.5	31.0	6.5	3.0	45.0	62	10	67
74440.W0414	Black	22	M 8	16.0	36.0	8.0	3.5	52.0	74	14	112
74440.W0424	Black	22	M10	16.0	36.0	8.0	3.5	52.0	74	14	109
74440.W0514	Black	25	M10	19.0	43.0	11.0	4.0	63.0	89	17	175
74440.W0524	Black	25	M12	19.0	43.0	11.0	4.0	63.0	89	17	171
74440.W0614	Black	30	M12	23.0	50.5	12.0	5.0	76.0	108	22	286
74440.W0624	Black	30	M16	23.0	50.5	12.0	5.0	76.0	108	22	269



## 74492



### Material

Lever: Zinc die-cast, plastic coated, matt

Black - similar to RAL 9005

Silver - similar to RAL 9006

Inner: Stainless steel

Cover: Plastic.

### Technical Notes

By lifting up the lever, the serrations are disengaged and the handle can then be swung to any position. On releasing the serrations are automatically re-engaged.

Available with smooth bore.

### Tips

Suitable for use in restricted areas due to low height and adjustable lever.

Order No.	Type	d <sub>1</sub>	d <sub>2</sub> tol. H7	d <sub>2</sub>	d <sub>3</sub>	h <sub>1</sub>	h <sub>2</sub>	h <sub>3</sub>	h <sub>4</sub>	l <sub>2</sub>	t min.	Weight g
74492.W0205	One, Black	32	16	M 8	16	29.5	2	2.5	41.5	120	14	187
74492.W0210	One, Black	32	16	M10	16	29.5	2	2.5	41.5	120	14	187
74492.W0215	One, Black	32	16	M12	16	29.5	2	2.5	41.5	120	14	187
74492.W0220	One, Black	40	23	M12	23	42.0	4	4.0	56.0	145	22	390
74492.W0225	One, Black	40	23	M16	23	42.0	4	4.0	56.0	145	22	373
74492.W0305	One, Silver	32	16	M 8	16	29.5	2	2.5	41.5	120	14	187
74492.W0310	One, Silver	32	16	M10	16	29.5	2	2.5	41.5	120	14	187
74492.W0315	One, Silver	32	16	M12	16	29.5	2	2.5	41.5	120	14	187
74492.W0320	One, Silver	40	23	M12	23	42.0	4	4.0	56.0	145	22	390
74492.W0325	One, Silver	40	23	M16	23	42.0	4	4.0	56.0	145	22	373
74492.W0250	Two, Black	32	8	-	16	29.5	2	2.5	41.5	120	14	185
74492.W0255	Two, Black	32	10	-	16	29.5	2	2.5	41.5	120	14	187
74492.W0260	Two, Black	40	12	-	23	42.0	4	4.0	56.0	145	22	390
74492.W0265	Two, Black	40	16	-	23	42.0	4	4.0	56.0	145	22	367
74492.W0350	Two, Silver	32	8	-	16	29.5	2	2.5	41.5	120	14	185
74492.W0355	Two, Silver	32	10	-	16	29.5	2	2.5	41.5	120	14	187
74492.W0360	Two, Silver	40	12	-	23	42.0	4	4.0	56.0	145	22	390
74492.W0365	Two, Silver	40	16	-	23	42.0	4	4.0	56.0	145	22	367

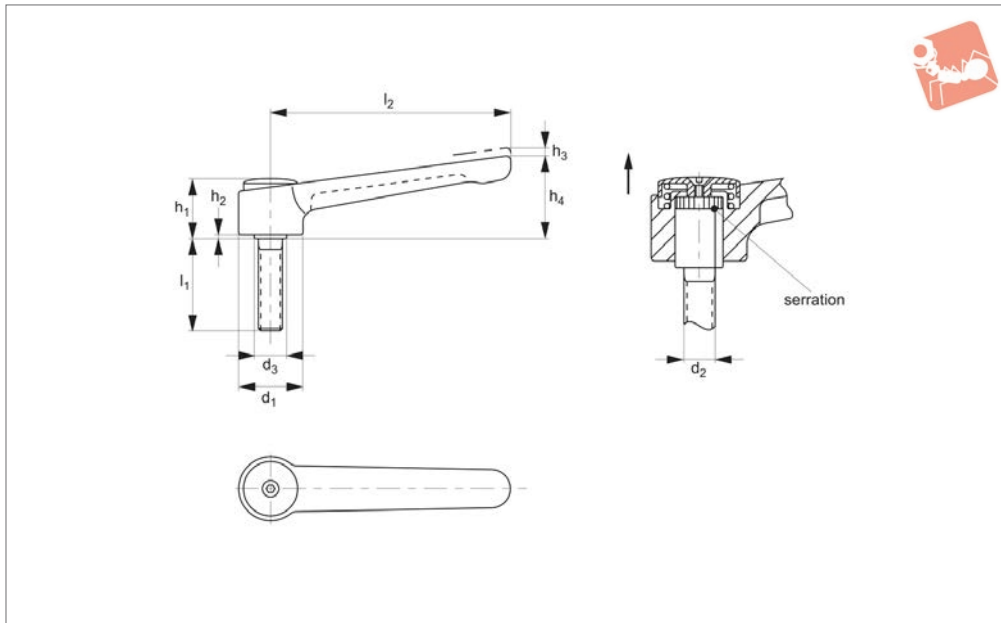


# Adjustable Clamping Levers

cast zinc, inner parts stainless steel



## Clamping Levers



**74496**

CLAMPING LEVERS

### Material

Lever: Zinc die-cast, plastic coated, matt  
 Black - similar to RAL 9005  
 Silver - similar to RAL 9006  
 Inner: Stainless steel 1.4305  
 Screw: Stainless steel 1.4305  
 Cover: Plastic.

### Technical Notes

By lifting up the lever, the serrations are disengaged and the handle can then be swung to any position. On releasing the serrations are automatically re-engaged.

Screw part can be changed.

### Tips

Suitable for use in restricted areas due to low height and adjustable lever.

Order No.	Colour	l <sub>1</sub>	d <sub>1</sub>	d <sub>2</sub>	d <sub>3</sub>	h <sub>1</sub>	h <sub>2</sub>	h <sub>3</sub>	h <sub>4</sub>	l <sub>2</sub>	Weight g
74496.W0650	Black	20	32	M10	16	29.5	2	2.5	41.5	120	202
74496.W0655	Black	25	32	M10	16	29.5	2	2.5	41.5	120	204
74496.W0660	Black	32	32	M10	16	29.5	2	2.5	41.5	120	207
74496.W0665	Black	40	32	M10	16	29.5	2	2.5	41.5	120	212
74496.W0670	Black	50	32	M10	16	29.5	2	2.5	41.5	120	217
74496.W0680	Black	80	32	M10	16	29.5	2	2.5	41.5	120	231
74496.W0685	Black	20	32	M12	16	29.5	2	2.5	41.5	120	206
74496.W0690	Black	25	32	M12	16	29.5	2	2.5	41.5	120	210
74496.W0695	Black	32	32	M12	16	29.5	2	2.5	41.5	120	215
74496.W0700	Black	40	32	M12	16	29.5	2	2.5	41.5	120	221
74496.W0705	Black	50	32	M12	16	29.5	2	2.5	41.5	120	228
74496.W0710	Black	63	32	M12	16	29.5	2	2.5	41.5	120	237
74496.W0715	Black	80	32	M12	16	29.5	2	2.5	41.5	120	249
74496.W0725	Black	32	40	M12	23	42.0	4	4.0	56.0	145	432
74496.W0730	Black	40	40	M12	23	42.0	4	4.0	56.0	145	440
74496.W0735	Black	50	40	M12	23	42.0	4	4.0	56.0	145	447
74496.W0740	Black	63	40	M12	23	42.0	4	4.0	56.0	145	455
74496.W0745	Black	80	40	M12	23	42.0	4	4.0	56.0	145	445
74496.W0750	Black	32	40	M16	23	42.0	4	4.0	56.0	145	449
74496.W0755	Black	40	40	M16	23	42.0	4	4.0	56.0	145	460
74496.W0760	Black	50	40	M16	23	42.0	4	4.0	56.0	145	472
74496.W0765	Black	63	40	M16	23	42.0	4	4.0	56.0	145	491
74496.W0770	Black	80	40	M16	23	42.0	4	4.0	56.0	145	513
74496.W1650	Silver	20	32	M10	16	29.5	2	2.5	41.5	120	202
74496.W1655	Silver	25	32	M10	16	29.5	2	2.5	41.5	120	204
74496.W1660	Silver	32	32	M10	16	29.5	2	2.5	41.5	120	207
74496.W1665	Silver	40	32	M10	16	29.5	2	2.5	41.5	120	212
74496.W1670	Silver	50	32	M10	16	29.5	2	2.5	41.5	120	217
74496.W1680	Silver	80	32	M10	16	29.5	2	2.5	41.5	120	231
74496.W1685	Silver	20	32	M12	16	29.5	2	2.5	41.5	120	206
74496.W1690	Silver	25	32	M12	16	29.5	2	2.5	41.5	120	210



Order No.	Colour	$l_1$	$d_1$	$d_2$	$d_3$	$h_1$	$h_2$	$h_3$	$h_4$	$l_2$	Weight g
<b>74496.W1695</b>	Silver	32	32	M12	16	29.5	2	2.5	41.5	120	215
<b>74496.W1700</b>	Silver	40	32	M12	16	29.5	2	2.5	41.5	120	221
<b>74496.W1705</b>	Silver	50	32	M12	16	29.5	2	2.5	41.5	120	228
<b>74496.W1710</b>	Silver	63	32	M12	16	29.5	2	2.5	41.5	120	237
<b>74496.W1715</b>	Silver	80	32	M12	16	29.5	2	2.5	41.5	120	249
<b>74496.W1725</b>	Silver	32	40	M12	23	42.0	4	4.0	56.0	145	432
<b>74496.W1730</b>	Silver	40	40	M12	23	42.0	4	4.0	56.0	145	440
<b>74496.W1735</b>	Silver	50	40	M12	23	42.0	4	4.0	56.0	145	447
<b>74496.W1740</b>	Silver	63	40	M12	23	42.0	4	4.0	56.0	145	455
<b>74496.W1745</b>	Silver	80	40	M12	23	42.0	4	4.0	56.0	145	445
<b>74496.W1750</b>	Silver	32	40	M16	23	42.0	4	4.0	56.0	145	449
<b>74496.W1755</b>	Silver	40	40	M16	23	42.0	4	4.0	56.0	145	460
<b>74496.W1760</b>	Silver	50	40	M16	23	42.0	4	4.0	56.0	145	472
<b>74496.W1765</b>	Silver	63	40	M16	23	42.0	4	4.0	56.0	145	491
<b>74496.W1770</b>	Silver	80	40	M16	23	42.0	4	4.0	56.0	145	513

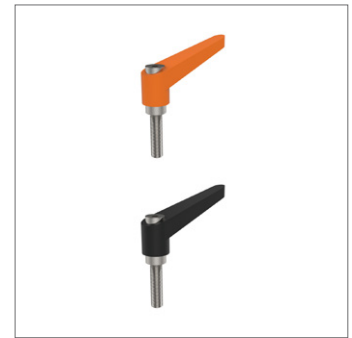
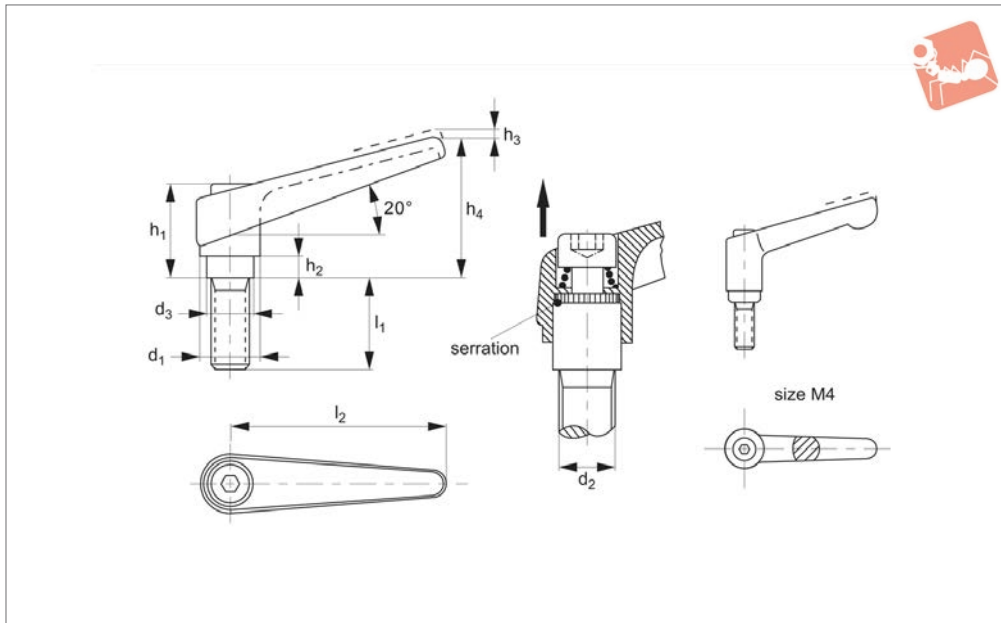


# Adjustable Clamping Levers

with grub screw, inner parts **stainless steel**



## Clamping Levers



**74460**

CLAMPING LEVERS

### Material

Handle: die-cast zinc,  
 - Orange RAL 2004  
 - Black RAL 9005.  
 Inner parts: stainless steel 1.4305 (AISI 303).  
 Screw: stainless steel 1.4305. (AISI 303).

### Technical Notes

By lifting the lever, the serrations are disengaged. The handle can be positioned by the serrations, and the threaded insert can be exchanged. Upon releasing the handle, the serrations are automatically re-engaged.

### Tips

Suitable for medical and chemical industry applications.

Order No.	Colour	$l_1$	$d_1$	$d_2$	$d_3$	$h_1$	$h_2$	$h_3$	$h_4$	$l_2$	Weight g
74460.W0010	Orange	12	13	M 4	10.0	24.5	4.0	3.5	30.5	30	27
74460.W0012	Black	12	13	M 4	10.0	24.5	4.0	3.5	30.5	30	27
74460.W0014	Orange	16	13	M 4	10.0	24.5	4.0	3.5	30.5	30	27
74460.W0016	Black	16	13	M 4	10.0	24.5	4.0	3.5	30.5	30	27
74460.W0018	Orange	20	13	M 4	10.0	24.5	4.0	3.5	30.5	30	27
74460.W0020	Black	20	13	M 4	10.0	24.5	4.0	3.5	30.5	30	27
74460.W0022	Orange	25	13	M 4	10.0	24.5	4.0	3.5	30.5	30	28
74460.W0024	Black	25	13	M 4	10.0	24.5	4.0	3.5	30.5	30	28
74460.W0026	Orange	32	13	M 4	10.0	24.5	4.0	3.5	30.5	30	28
74460.W0028	Black	32	13	M 4	10.0	24.5	4.0	3.5	30.5	30	28
74460.W0041	Orange	12	14	M 5	10.0	24.5	4.0	3.0	35.0	45	36
74460.W0044	Black	12	14	M 5	10.0	24.5	4.0	3.0	35.0	45	36
74460.W0051	Orange	16	14	M 5	10.0	24.5	4.0	3.0	35.0	45	36
74460.W0054	Black	16	14	M 5	10.0	24.5	4.0	3.0	35.0	45	36
74460.W0061	Orange	20	14	M 5	10.0	24.5	4.0	3.0	35.0	45	37
74460.W0064	Black	20	14	M 5	10.0	24.5	4.0	3.0	35.0	45	37
74460.W0071	Orange	25	14	M 5	10.0	24.5	4.0	3.0	35.0	45	38
74460.W0074	Black	25	14	M 5	10.0	24.5	4.0	3.0	35.0	45	38
74460.W0081	Orange	32	14	M 5	10.0	24.5	4.0	3.0	35.0	45	38
74460.W0084	Black	32	14	M 5	10.0	24.5	4.0	3.0	35.0	45	38
74460.W0086	Orange	40	14	M 5	10.0	24.5	4.0	3.0	35.0	45	39
74460.W0089	Black	40	14	M 5	10.0	24.5	4.0	3.0	35.0	45	39
74460.W0131	Orange	12	14	M 6	10.0	24.5	4.0	3.0	35.0	45	37
74460.W0134	Black	12	14	M 6	10.0	24.5	4.0	3.0	35.0	45	37
74460.W0141	Orange	16	14	M 6	10.0	24.5	4.0	3.0	35.0	45	37
74460.W0144	Black	16	14	M 6	10.0	24.5	4.0	3.0	35.0	45	37
74460.W0151	Orange	20	14	M 6	10.0	24.5	4.0	3.0	35.0	45	38
74460.W0154	Black	20	14	M 6	10.0	24.5	4.0	3.0	35.0	45	38
74460.W0161	Orange	25	14	M 6	10.0	24.5	4.0	3.0	35.0	45	39
74460.W0164	Black	25	14	M 6	10.0	24.5	4.0	3.0	35.0	45	39
74460.W0171	Orange	32	14	M 6	10.0	24.5	4.0	3.0	35.0	45	40



Order No.	Colour	l <sub>1</sub>	d <sub>1</sub>	d <sub>2</sub>	d <sub>3</sub>	h <sub>1</sub>	h <sub>2</sub>	h <sub>3</sub>	h <sub>4</sub>	l <sub>2</sub>	Weight g
74460.W0174	Black	32	14	M 6	10.0	24.5	4.0	3.0	35.0	45	40
74460.W0181	Orange	40	14	M 6	10.0	24.5	4.0	3.0	35.0	45	41
74460.W0184	Black	40	14	M 6	10.0	24.5	4.0	3.0	35.0	45	41
74460.W0191	Orange	50	14	M 6	10.0	24.5	4.0	3.0	35.0	45	43
74460.W0194	Black	50	14	M 6	10.0	24.5	4.0	3.0	35.0	45	43
74460.W0331	Orange	16	18	M 8	13.5	31.0	6.5	3.0	45.0	62	74
74460.W0334	Black	16	18	M 8	13.5	31.0	6.5	3.0	45.0	62	74
74460.W0341	Orange	20	18	M 8	13.5	31.0	6.5	3.0	45.0	62	76
74460.W0344	Black	20	18	M 8	13.5	31.0	6.5	3.0	45.0	62	76
74460.W0351	Orange	25	18	M 8	13.5	31.0	6.5	3.0	45.0	62	77
74460.W0354	Black	25	18	M 8	13.5	31.0	6.5	3.0	45.0	62	77
74460.W0361	Orange	32	18	M 8	13.5	31.0	6.5	3.0	45.0	62	79
74460.W0364	Black	32	18	M 8	13.5	31.0	6.5	3.0	45.0	62	79
74460.W0371	Orange	40	18	M 8	13.5	31.0	6.5	3.0	45.0	62	81
74460.W0374	Black	40	18	M 8	13.5	31.0	6.5	3.0	45.0	62	81
74460.W0381	Orange	50	18	M 8	13.5	31.0	6.5	3.0	45.0	62	84
74460.W0384	Black	50	18	M 8	13.5	31.0	6.5	3.0	45.0	62	84
74460.W0391	Orange	63	18	M 8	13.5	31.0	6.5	3.0	45.0	62	89
74460.W0394	Black	63	18	M 8	13.5	31.0	6.5	3.0	45.0	62	89
74460.W0441	Orange	20	22	M10	16.0	36.0	8.0	3.5	52.0	74	128
74460.W0444	Black	20	22	M10	16.0	36.0	8.0	3.5	52.0	74	128
74460.W0451	Orange	25	22	M10	16.0	36.0	8.0	3.5	52.0	74	130
74460.W0454	Black	25	22	M10	16.0	36.0	8.0	3.5	52.0	74	130
74460.W0461	Orange	32	22	M10	16.0	36.0	8.0	3.5	52.0	74	134
74460.W0464	Black	32	22	M10	16.0	36.0	8.0	3.5	52.0	74	134
74460.W0471	Orange	40	22	M10	16.0	36.0	8.0	3.5	52.0	74	138
74460.W0474	Black	40	22	M10	16.0	36.0	8.0	3.5	52.0	74	138
74460.W0481	Orange	50	22	M10	16.0	36.0	8.0	3.5	52.0	74	143
74460.W0484	Black	50	22	M10	16.0	36.0	8.0	3.5	52.0	74	143
74460.W0486	Orange	63	22	M10	16.0	36.0	8.0	3.5	52.0	74	148
74460.W0489	Black	63	22	M10	16.0	36.0	8.0	3.5	52.0	74	148
74460.W0491	Orange	80	22	M10	16.0	36.0	8.0	3.5	52.0	74	157
74460.W0494	Black	80	22	M10	16.0	36.0	8.0	3.5	52.0	74	157
74460.W0541	Orange	25	25	M12	19.0	43.0	11.0	4.0	63.0	89	205
74460.W0544	Black	25	25	M12	19.0	43.0	11.0	4.0	63.0	89	205
74460.W0551	Orange	32	25	M12	19.0	43.0	11.0	4.0	63.0	89	209
74460.W0554	Black	32	25	M12	19.0	43.0	11.0	4.0	63.0	89	209
74460.W0561	Orange	40	25	M12	19.0	43.0	11.0	4.0	63.0	89	215
74460.W0564	Black	40	25	M12	19.0	43.0	11.0	4.0	63.0	89	215
74460.W0571	Orange	50	25	M12	19.0	43.0	11.0	4.0	63.0	89	222
74460.W0574	Black	50	25	M12	19.0	43.0	11.0	4.0	63.0	89	222
74460.W0581	Orange	63	25	M12	19.0	43.0	11.0	4.0	63.0	89	232
74460.W0584	Black	63	25	M12	19.0	43.0	11.0	4.0	63.0	89	232
74460.W0591	Orange	80	25	M12	19.0	43.0	11.0	4.0	63.0	89	244
74460.W0594	Black	80	25	M12	19.0	43.0	11.0	4.0	63.0	89	244
74460.W0641	Orange	32	30	M16	23.0	50.5	12.0	5.0	76.0	108	348
74460.W0644	Black	32	30	M16	23.0	50.5	12.0	5.0	76.0	108	348
74460.W0651	Orange	40	30	M16	23.0	50.5	12.0	5.0	76.0	108	357
74460.W0654	Black	40	30	M16	23.0	50.5	12.0	5.0	76.0	108	357
74460.W0661	Orange	50	30	M16	23.0	50.5	12.0	5.0	76.0	108	370
74460.W0664	Black	50	30	M16	23.0	50.5	12.0	5.0	76.0	108	370
74460.W0671	Orange	63	30	M16	23.0	50.5	12.0	5.0	76.0	108	386
74460.W0674	Black	63	30	M16	23.0	50.5	12.0	5.0	76.0	108	386
74460.W0681	Orange	80	30	M16	23.0	50.5	12.0	5.0	76.0	108	407
74460.W0684	Black	80	30	M16	23.0	50.5	12.0	5.0	76.0	108	407

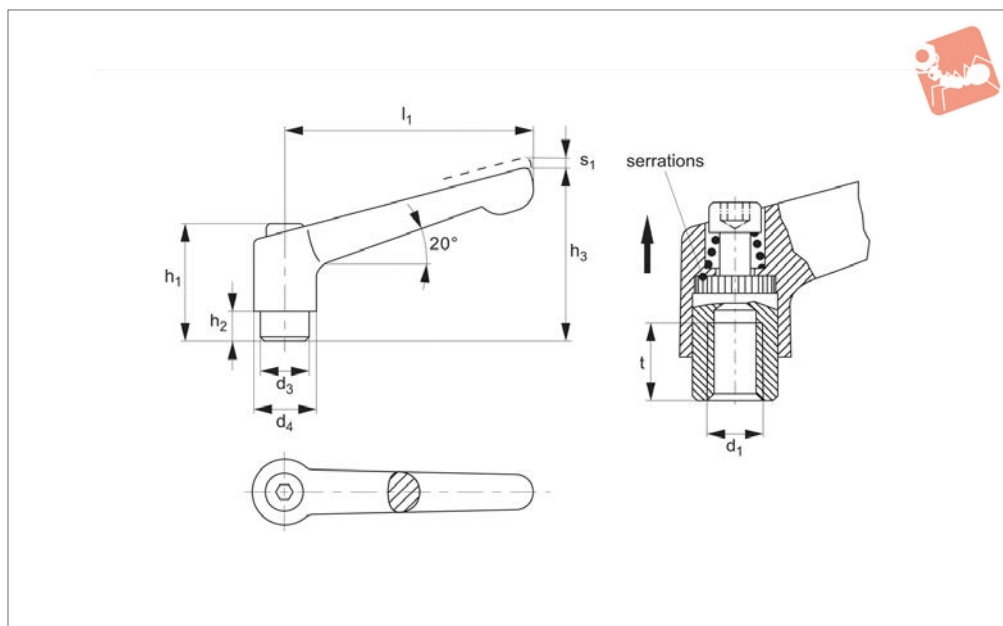




# Adjustable Clamping Lever

threaded bore - stainless

## Clamping Levers



**74380**

CLAMPING LEVERS

### Material

Stainless steel, 1.4308 (AISI CF-8). Matte blasted.

Inner parts: stainless, 1.4305.

Screw & spring: stainless, 1.4300.

disengaged. The handle can be positioned by the serrations, and the threaded insert can be exchanged. Upon releasing the handle, the serrations are automatically re-engaged.

ronments, such as food processing, chemical industries etc.

### Technical Notes

By lifting the lever, the serrations are

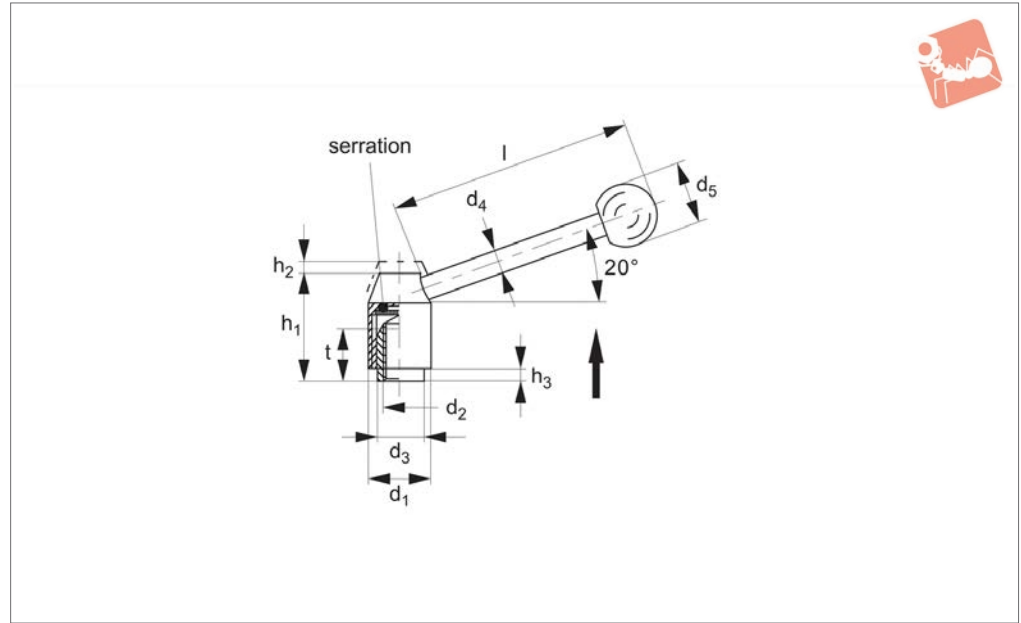
### Tips

Ideal for applications with aggressive envi-

Order No.	$l_1$	$d_1$	$d_3$	$d_4$	$h_1$	$h_2$	$h_3$	$t$ min.	Stroke $s_1$	Weight g
<b>74380.W0111</b>	45	M 5	10.0	13.0	24.5	4.0	35	9	3.5	37
<b>74380.W0121</b>	45	M 6	10.0	13.0	24.5	4.0	35	9	3.5	30
<b>74380.W0311</b>	63	M 6	13.5	17.5	31.0	6.5	45	11	4.0	80
<b>74380.W0321</b>	63	M 8	13.5	17.5	31.0	6.5	45	11	4.0	50
<b>74380.W0411</b>	78	M 8	16.0	21.0	36.0	8.0	55	14	4.0	140
<b>74380.W0421</b>	78	M10	16.0	21.0	36.0	8.0	55	14	4.0	140



**74520**



CLAMPING LEVERS

### Material

Stainless steel no. 1.4305 (AISI 303), matt shot-blasted. Ball knob DIN 319, plastic black.

### Technical Notes

Ideal whenever parts have to be clamped in

a confined space or a particular lever position is required. Pulling the lever, disengages the serrations allowing it to be swivelled to the ideal clamping position. On releasing the lever it will automatically re-engage.

Order No.	d <sub>1</sub>	d <sub>2</sub>	d <sub>3</sub>	d <sub>4</sub>	d <sub>5</sub>	h <sub>1</sub>	h <sub>2</sub>	h <sub>3</sub>	l	t min.	Weight g
74520.W0006	21	M 6	13.5	8	20	33.5	4.0	1.0	70	11	91
74520.W0007	21	M 8	13.5	8	20	33.5	4.0	1.0	70	11	89
74520.W0008	24	M 8	16.0	10	25	40.0	4.5	2.5	96	14	159
74520.W0009	24	M10	16.0	10	25	40.0	4.5	2.5	96	14	153
74520.W0010	28	M10	19.0	12	30	48.5	4.5	4.5	110	17	255
74520.W0012	28	M12	19.0	12	30	48.5	4.5	4.5	110	17	248

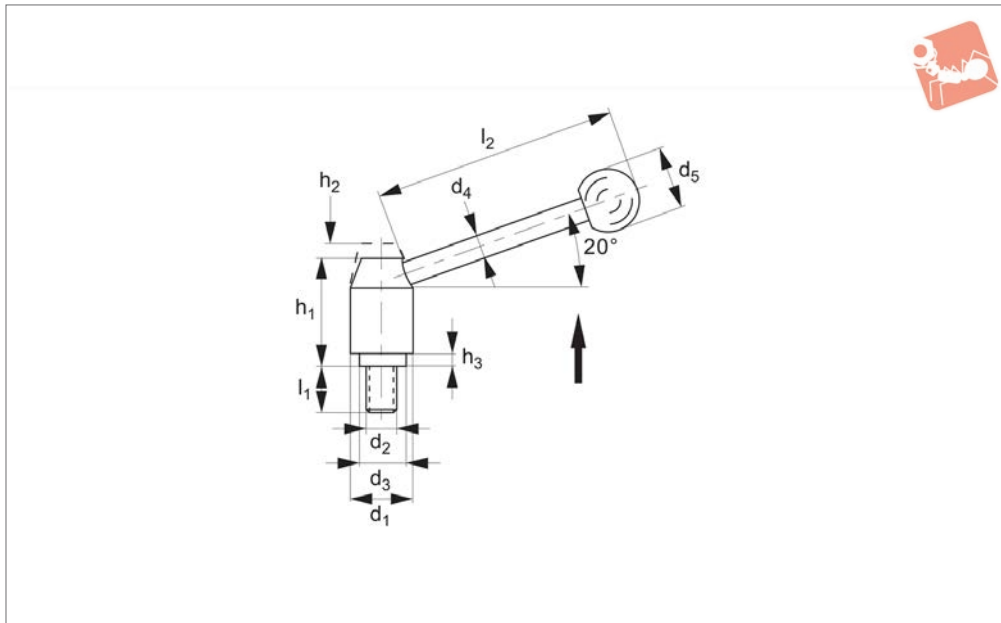




# Adjustable Clamping Lever

stainless steel - grub screw

## Clamping Levers



**74530**

CLAMPING LEVERS

### Material

Stainless steel no. 1.4305 (AISI 303), matt shot-blasted. Ball knob DIN 319, plastic black.

### Technical Notes

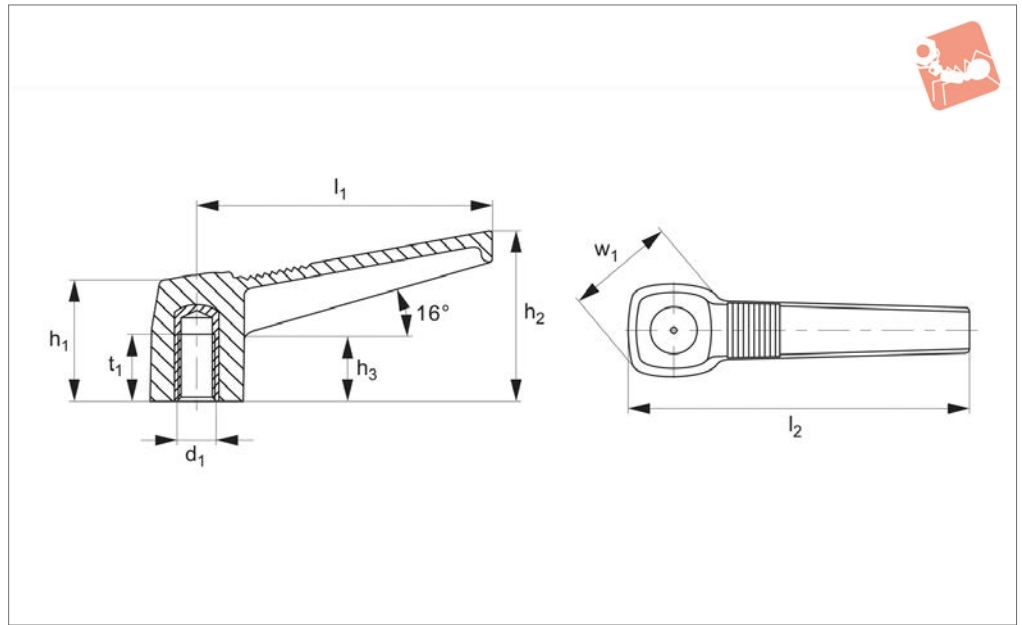
Ideal whenever parts have to be clamped in

a confined space or a particular lever position is required. Pulling the lever, disengages the serrations allowing it to be swivelled to the ideal clamping position. On releasing the lever it will automatically re-engage.

Order No.	$l_1$	$d_1$	$d_2$	$d_3$	$d_4$	$d_5$	$h_1$	$h_2$ stroke	$h_3$	$l_2 \approx$	Weight g
74530.W0080	16	21	M 8	13.5	8	20	33.5	4.0	1.0	70	99
74530.W0081	20	21	M 8	13.5	8	20	33.5	4.0	1.0	70	103
74530.W0082	25	21	M 8	13.5	8	20	33.5	4.0	1.0	70	102
74530.W0083	32	21	M 8	13.5	8	20	33.5	4.0	1.0	70	105
74530.W0084	40	21	M 8	13.5	8	20	33.5	4.0	1.0	70	112
74530.W0085	50	21	M 8	13.5	8	20	33.5	4.0	1.0	70	109
74530.W0086	63	21	M 8	13.5	8	20	33.5	4.0	1.0	70	114
74530.W0100	20	24	M10	16.0	10	25	40.0	4.5	2.5	96	173
74530.W0101	25	24	M10	16.0	10	25	40.0	4.5	2.5	96	174
74530.W0102	32	24	M10	16.0	10	25	40.0	4.5	2.5	96	177
74530.W0103	40	24	M10	16.0	10	25	40.0	4.5	2.5	96	184
74530.W0104	50	24	M10	16.0	10	25	40.0	4.5	2.5	96	185
74530.W0105	63	24	M10	16.0	10	25	40.0	4.5	2.5	96	195
74530.W0106	80	24	M10	16.0	10	25	40.0	4.5	2.5	96	205
74530.W0120	25	28	M12	19.0	12	30	48.5	4.5	4.5	110	283
74530.W0121	32	28	M12	19.0	12	30	48.5	4.5	4.5	110	287
74530.W0122	40	28	M12	19.0	12	30	48.5	4.5	4.5	110	298
74530.W0123	50	28	M12	19.0	12	30	48.5	4.5	4.5	110	302
74530.W0124	63	28	M12	19.0	12	30	48.5	4.5	4.5	110	312
74530.W0125	80	28	M12	19.0	12	30	48.5	4.5	4.5	110	320



**74960**



**Material**

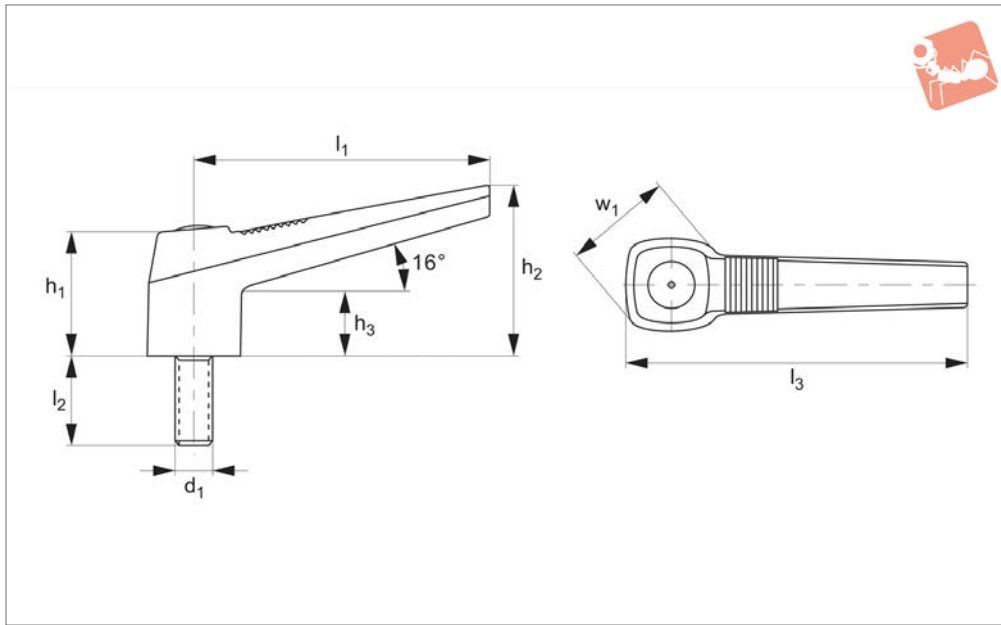
Matt black, thermoplastic, glass fibre reinforced. Brass insert.

**Technical Notes**

Special size and colours available on request, subject to minimum order quantity.

tity.

Order No.	$l_1$	$d_1$	$h_1$	$h_2$	$h_3$	$l_2$	$t_1$	$w_1$	Weight g
74960.W0041	42	M 5	20	25	11	50	9	19	8
74960.W0042	42	M 6	20	25	11	50	9	19	8
74960.W0063	63	M 6	26	35	14	73	13	25	20
74960.W0064	63	M 8	26	35	14	73	13	25	20
74960.W0080	80	M 8	33	45	17	92	15	30	37
74960.W0081	80	M10	33	45	17	92	16	30	38
74960.W0082	80	M12	39	45	17	92	18	30	33
74960.W0100	100	M12	39	55	18	115	18	36	68
74960.W0101	100	M14	39	55	18	36	20	115	72
74960.W0102	100	M16	39	55	18	115	20	36	76



**74970**

CLAMPING LEVERS

### Material

Thermoplastic, black, matt, glass fibre reinforced. Zinc plated steel stud.

### Technical Notes

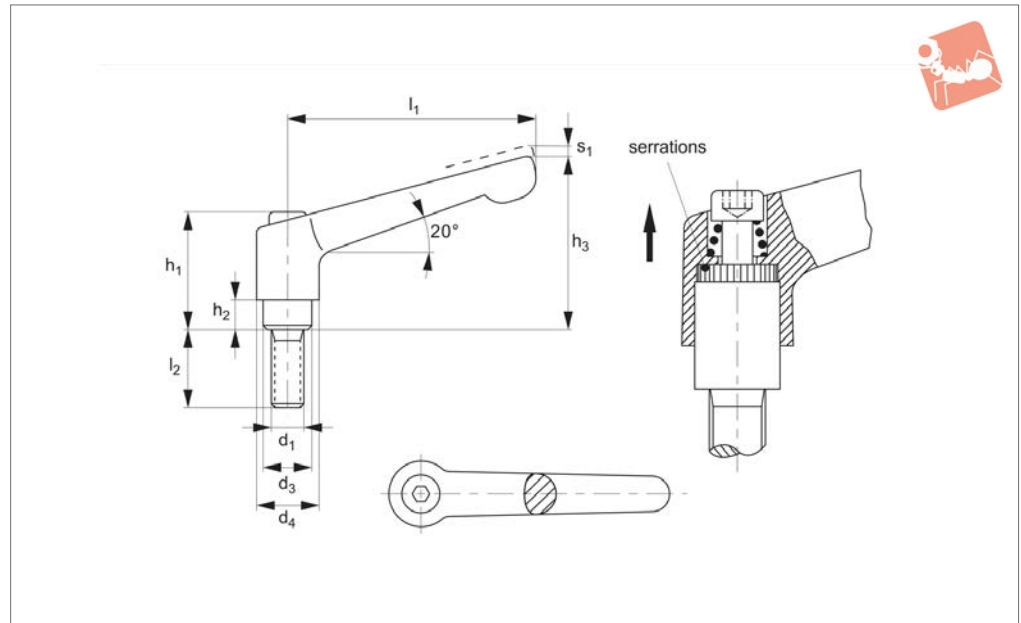
Special size and colours available on request, subject to minimum order quantity.

tity.

Order No.	$l_1$	$d_1$	$h_1$	$h_2$	$h_3$	$l_2$	$l_3$	$w_1$	Weight g
<b>74970.W0041</b>	42	M 6	20	25	11	15	50	19	11
<b>74970.W0042</b>	42	M 6	20	25	11	20	50	19	12
<b>74970.W0063</b>	63	M 8	26	35	14	25	73	25	30
<b>74970.W0080</b>	80	M 8	33	45	17	20	92	30	52
<b>74970.W0081</b>	80	M10	33	45	17	30	92	30	57
<b>74970.W0100</b>	100	M12	39	55	18	50	115	36	121



## 74390



### Material

Stainless steel, 1.4308 (AISI CF-8). Matte blasted.

Inner parts: stainless, 1.4305.

Screw & spring: stainless, 1.4300.

disengaged. The handle can be positioned by the serrations, and the threaded insert can be exchanged. Upon releasing the handle, the serrations are automatically re-engaged.

ronments, such as food processing, chemical industries etc.

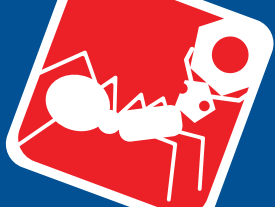
### Technical Notes

By lifting the lever, the serrations are

### Tips

Ideal for applications with aggressive envi-

Order No.	$l_1$	$d_1$	$d_3$	$d_4$	$h_1$	$h_2$	$h_3$	$l_2$	Stroke $s_1$
74390.W0041	45	M 5	10.0	13.0	24.5	4.0	35	12	3.5
74390.W0051	45	M 5	10.0	13.0	24.5	4.0	35	16	3.5
74390.W0061	45	M 5	10.0	13.0	24.5	4.0	35	20	3.5
74390.W0071	45	M 5	10.0	13.0	24.5	4.0	35	25	3.5
74390.W0081	45	M 5	10.0	13.0	24.5	4.0	35	32	3.5
74390.W0091	45	M 5	10.0	13.0	24.5	4.0	35	40	3.5
74390.W0099	45	M 5	10.0	13.0	24.5	4.0	35	50	3.5
74390.W0141	45	M 6	10.0	13.0	24.5	4.0	35	12	3.5
74390.W0151	45	M 6	10.0	13.0	24.5	4.0	35	16	3.5
74390.W0161	45	M 6	10.0	13.0	24.5	4.0	35	20	3.5
74390.W0171	45	M 6	10.0	13.0	24.5	4.0	35	25	3.5
74390.W0181	45	M 6	10.0	13.0	24.5	4.0	35	32	3.5
74390.W0191	45	M 6	10.0	13.0	24.5	4.0	35	40	3.5
74390.W0199	45	M 6	10.0	13.0	24.5	4.0	35	50	3.5
74390.W0221	63	M 6	13.5	17.5	31.0	6.5	45	16	4.0
74390.W0231	63	M 6	13.5	17.5	31.0	6.5	45	20	4.0
74390.W0241	63	M 6	13.5	17.5	31.0	6.5	45	25	4.0
74390.W0251	63	M 6	13.5	17.5	31.0	6.5	45	32	4.0
74390.W0261	63	M 6	13.5	17.5	31.0	6.5	45	40	4.0
74390.W0271	63	M 6	13.5	17.5	31.0	6.5	45	50	4.0
74390.W0281	63	M 6	13.5	17.5	31.0	6.5	45	63	4.0
74390.W0331	63	M 8	13.5	17.5	31.0	6.5	45	16	4.0
74390.W0341	63	M 8	13.5	17.5	31.0	6.5	45	20	4.0
74390.W0351	63	M 8	13.5	17.5	31.0	6.5	45	25	4.0
74390.W0361	63	M 8	13.5	17.5	31.0	6.5	45	32	4.0
74390.W0371	63	M 8	13.5	17.5	31.0	6.5	45	40	4.0
74390.W0381	63	M 8	13.5	17.5	31.0	6.5	45	50	4.0
74390.W0391	63	M 8	13.5	17.5	31.0	6.5	45	63	4.0
74390.W0441	78	M 8	16.0	21.0	36.0	8.0	55	20	4.0
74390.W0451	78	M 8	16.0	21.0	36.0	8.0	55	25	4.0
74390.W0461	78	M 8	16.0	21.0	36.0	8.0	55	32	4.0



# Adjustable Clamping Levers

with grub screw - stainless

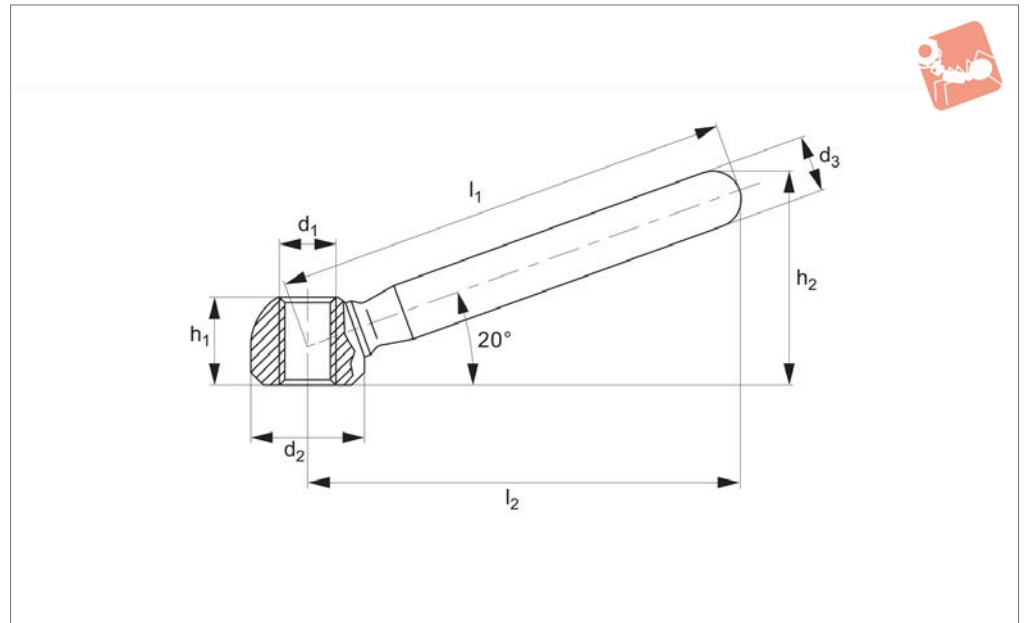


Order No.	$l_1$	$d_1$	$d_3$	$d_4$	$h_1$	$h_2$	$h_3$	$l_2$	Stroke $s_1$
74390.W0471	78	M 8	16.0	21.0	36.0	8.0	55	40	4.0
74390.W0481	78	M 8	16.0	21.0	36.0	8.0	55	50	4.0
74390.W0491	78	M 8	16.0	21.0	36.0	8.0	55	63	4.0
74390.W0499	78	M 8	16.0	21.0	36.0	8.0	55	80	4.0
74390.W0541	78	M10	16.0	21.0	36.0	8.0	55	20	4.0
74390.W0551	78	M10	16.0	21.0	36.0	8.0	55	25	4.0
74390.W0561	78	M10	16.0	21.0	36.0	8.0	55	32	4.0
74390.W0571	78	M10	16.0	21.0	36.0	8.0	55	40	4.0
74390.W0581	78	M10	16.0	21.0	36.0	8.0	55	50	4.0
74390.W0591	78	M10	16.0	21.0	36.0	8.0	55	63	4.0
74390.W0599	78	M10	16.0	21.0	36.0	8.0	55	80	4.0

CLAMPING LEVERS



**73920**



### Material

Case hardened steel, or stainless steel AISI 303. Shaft butt welded.

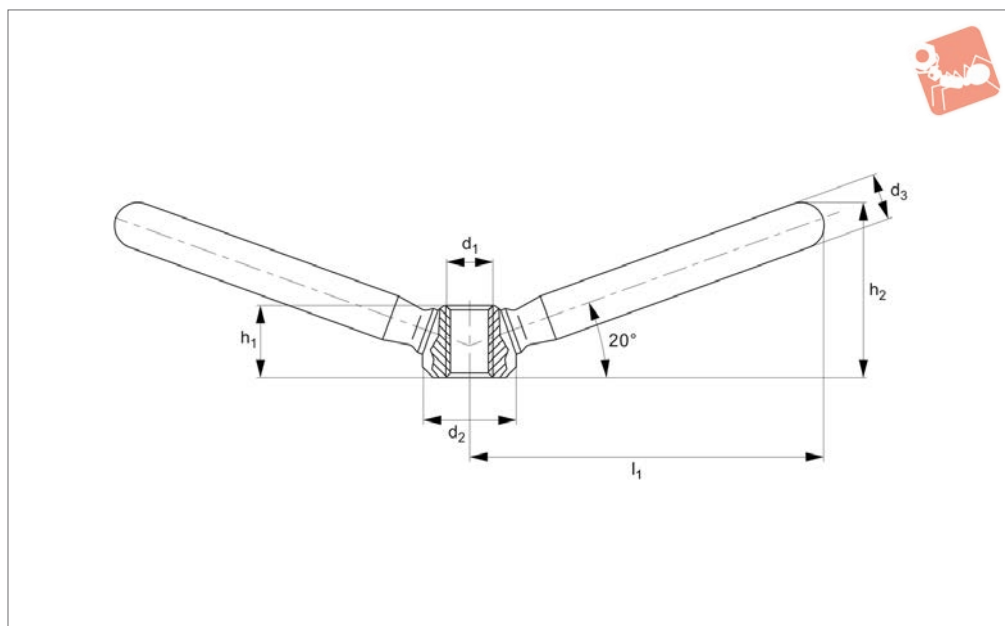
### Technical Notes

Low price version to no. 74200.

Order No.	Finish	$d_1$	$d_2$	$d_3$	$h_1$	$h_2$ ≈	$l_1$	$l_2$ ≈	Weight g
<b>73920.W0506</b>	Steel	M 8	16	10	12.5	30.5	63	60	39
<b>73920.W0508</b>	Steel	M10	20	12	15.0	37.0	80	76	74
<b>73920.W0510</b>	Steel	M12	25	14	19.0	46.0	100	95	149
<b>73920.W0512</b>	Steel	M16	32	18	25.0	58.5	125	119	316
<b>73920.W0516</b>	Steel	M20	40	20	31.0	73.0	160	152	533
<b>73920.W0606</b>	Stainless Steel	M 8	16	10	12.5	30.5	63	60	39
<b>73920.W0608</b>	Stainless Steel	M10	20	12	15.0	37.0	80	76	73
<b>73920.W0610</b>	Stainless Steel	M12	25	14	19.0	46.0	100	95	153
<b>73920.W0612</b>	Stainless Steel	M16	32	18	25.0	58.5	125	119	314
<b>73920.W0616</b>	Stainless Steel	M20	40	20	31.0	73.0	160	152	533



# Clamping Nuts welded, double-sided



**73922**

CLAMPING LEVERS

### Material

Steel, galvanised.  
Stainless steel 1.4301, dull blasted.

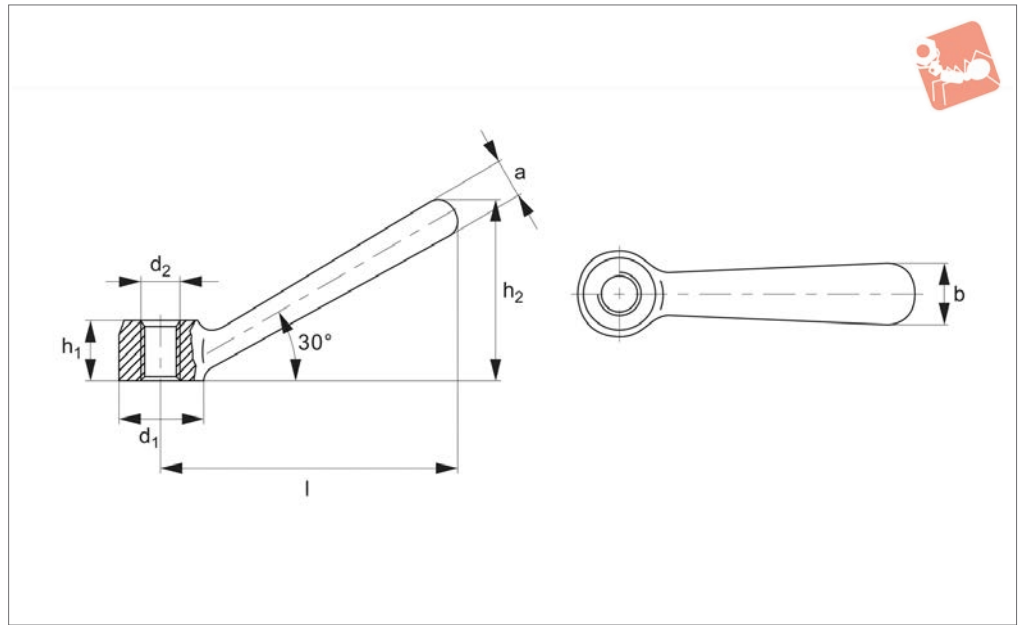
### Technical Notes

Allows for two-handed operating.

Order No.	Material	d <sub>1</sub>	d <sub>2</sub>	d <sub>3</sub>	h <sub>1</sub>	h <sub>2</sub>	l <sub>1</sub> ≈	Weight g
<b>73922.W0706</b>	Steel	M 8	16	10	12.5	26	47.5	55
<b>73922.W0708</b>	Steel	M10	20	12	15.0	32	59.5	116
<b>73922.W0710</b>	Steel	M12	25	14	19.0	40	75.5	210
<b>73922.W0712</b>	Steel	M16	32	18	25.0	52	94.5	432
<b>73922.W0716</b>	Steel	M20	40	20	31.0	62	118.0	716
<b>73922.W0806</b>	Stainless Steel	M 8	16	10	12.5	26	47.5	55
<b>73922.W0808</b>	Stainless Steel	M10	20	12	15.0	32	59.5	116
<b>73922.W0810</b>	Stainless Steel	M12	25	14	19.0	40	75.5	210
<b>73922.W0812</b>	Stainless Steel	M16	32	18	25.0	52	94.5	432
<b>73922.W0816</b>	Stainless Steel	M20	40	20	31.0	62	118.0	716



**74000**



**Material**

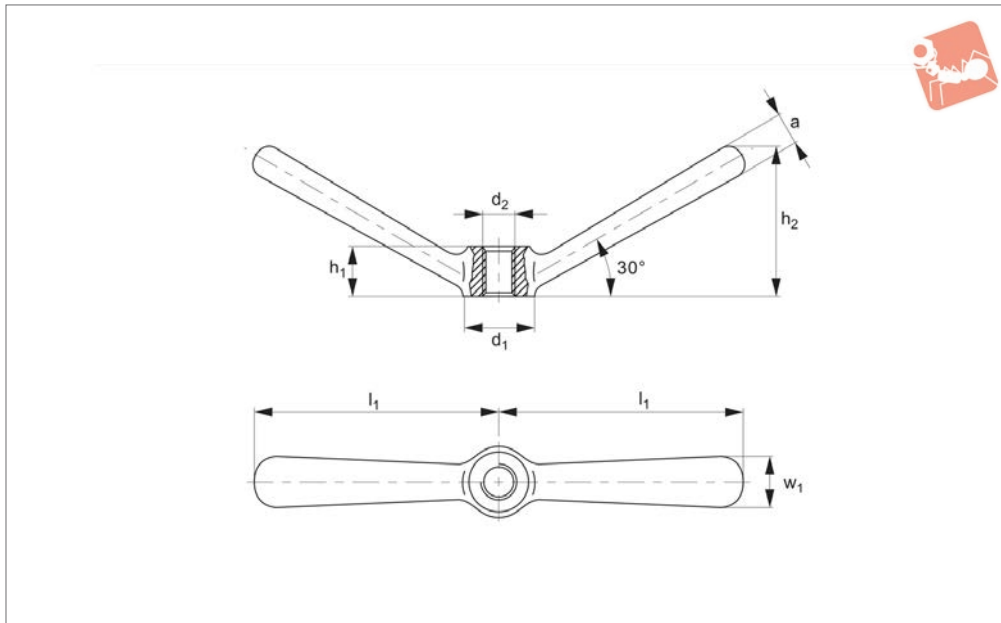
Malleable iron, tumble finish. Contact faces machined.

**Technical Notes**

These economic clamping levers are ideal where a lacquered finish is required.

Order No.	a	b	d <sub>1</sub>	d <sub>2</sub>	h <sub>1</sub>	h <sub>2</sub> ≈	l ≈	Weight g
74000.W0008	7	12	16	M 8	12	34.0	56	34
74000.W0010	9	14	20	M10	14	42.5	70	60
74000.W0012	11	18	25	M12	18	53.0	87	125
74000.W0016	15	22	32	M16	22	66.5	109	248
74000.W0020	18	28	40	M20	28	84.5	140	518





## 74100

CLAMPING LEVERS

### Material

Malleable iron, prepared and tumble finished. Contact faces machined.

### Technical Notes

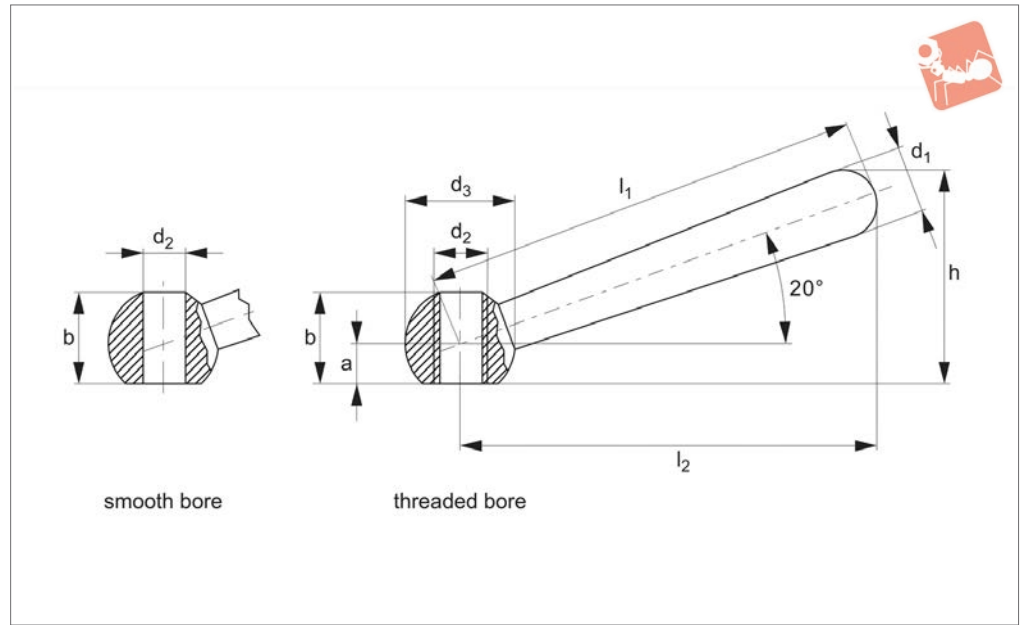
Clamping levers with double arms are robust. Applications are, for example, in

boiler making and special purpose machinery.

Order No.	a	d <sub>1</sub>	d <sub>2</sub>	h <sub>1</sub>	h <sub>2</sub> ≈	l <sub>1</sub> ≈	w <sub>1</sub>	Weight g
74100.W0008	7	16	M 8	12	34	56	12	55
74100.W0010	9	20	M10	14	42	70	14	104
74100.W0012	11	25	M12	18	53	87	18	213
74100.W0016	15	32	M16	22	66	109	22	429
74100.W0020	18	40	M20	28	84	140	28	820



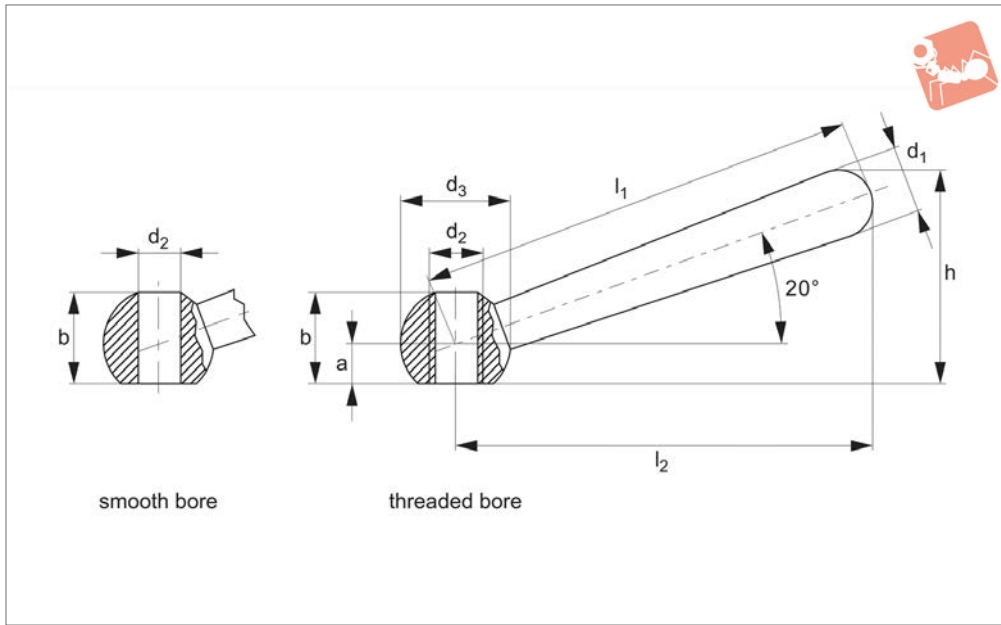
**74200**



### Material

Steel, blackened.

Order No.	Finish	a	b ≈	d <sub>1</sub>	d <sub>2</sub> tol. H7	d <sub>2</sub>	d <sub>3</sub>	h ≈	l <sub>1</sub>	l <sub>2</sub> ≈	Weight g
74200.W0105	Smooth Bore	4.0	9.5	8	6	-	12	24.0	50	48	16
74200.W0106	Smooth Bore	5.0	12.0	10	8	-	16	30.5	63	60	37
74200.W0108	Smooth Bore	6.0	14.5	13	10	-	20	38.0	80	76	73
74200.W0110	Smooth Bore	7.5	18.5	16	12	-	25	47.0	100	95	140
74200.W0112	Smooth Bore	10.0	24.0	20	16	-	32	59.5	125	119	282
74200.W0116	Smooth Bore	12.5	30.0	25	20	-	40	75.7	160	152	553
74200.W0120	Smooth Bore	18.0	40.0	32	24	-	50	97.0	200	190	1096
74200.W0305	Threaded Bore	4.0	9.5	8	-	M 6	12	24.0	50	48	17
74200.W0306	Threaded Bore	5.0	12.5	10	-	M 8	16	30.5	63	60	38
74200.W0308	Threaded Bore	6.0	15.0	13	-	M10	20	38.0	80	76	74
74200.W0310	Threaded Bore	7.5	19.0	16	-	M12	25	47.0	100	95	142
74200.W0312	Threaded Bore	10.0	25.0	20	-	M16	32	59.5	125	119	297
74200.W0316	Threaded Bore	12.5	31.0	25	-	M20	40	75.7	160	152	566
74200.W0320	Threaded Bore	18.0	41.0	32	-	M24	50	97.0	200	190	1140



**74201**

CLAMPING LEVERS

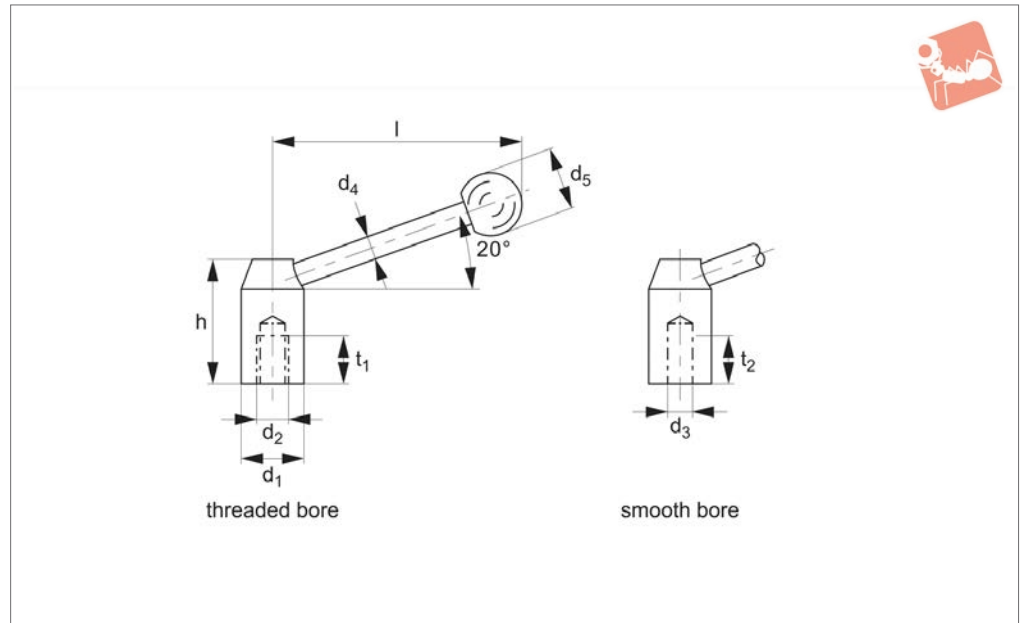
**Material**

Stainless steel 1.4305 (AISI 303), dull blasted.

Order No.	Finish	a	b ≈	d <sub>1</sub>	d <sub>2</sub> tol. H7	d <sub>2</sub>	d <sub>3</sub>	h ≈	l <sub>1</sub>	l <sub>2</sub> ≈	Weight g
<b>74201.W0206</b>	Smooth Bore	5.0	12.0	10	8	-	16	30.5	63	60	37
<b>74201.W0208</b>	Smooth Bore	6.0	14.5	13	10	-	20	38.0	80	76	73
<b>74201.W0210</b>	Smooth Bore	7.5	18.5	16	12	-	25	47.0	100	95	140
<b>74201.W0405</b>	Threaded Bore	4.0	9.5	8	-	M_6	12	24.0	50	48	17
<b>74201.W0406</b>	Threaded Bore	5.0	12.5	10	-	M_8	16	30.5	63	60	38
<b>74201.W0408</b>	Threaded Bore	6.0	15.0	13	-	M10	20	38.0	80	76	74
<b>74201.W0410</b>	Threaded Bore	7.5	19.0	16	-	M12	25	47.0	100	95	142
<b>74201.W0412</b>	Threaded Bore	10.0	25.0	20	-	M16	32	59.5	125	119	297



### 74300

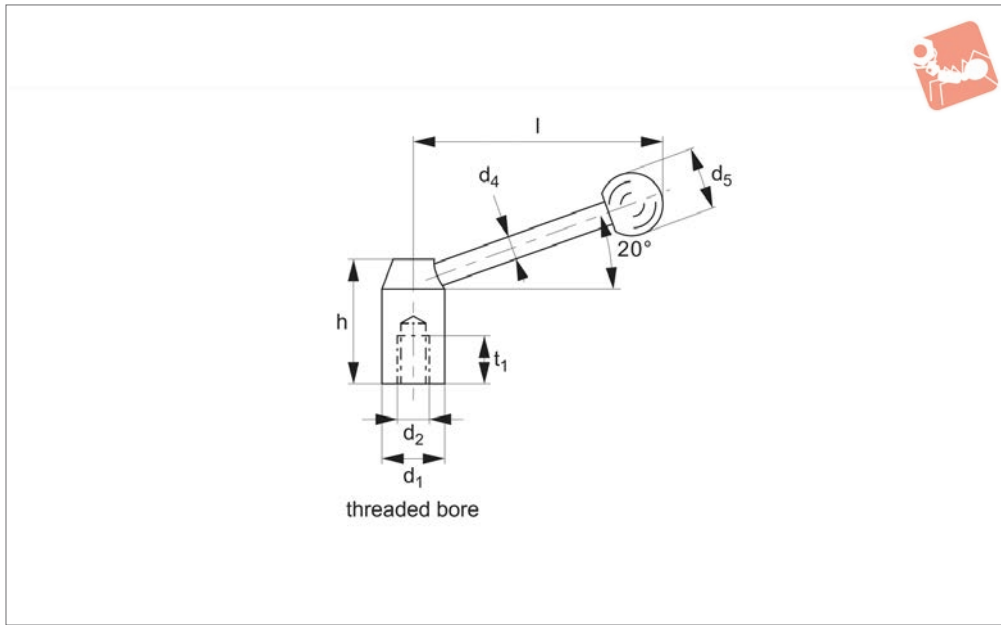


#### Material

Ball knob: plastic type 31 black.

Handle: free-cutting steel, finish-turned or ground, blackened.

Order No.	Finish	$d_1$	$d_2$	$d_3$ tol. H7	$d_4$	$d_5$	$h$	$l$ $\approx$	$t_1$	$t_2$	Weight g
74300.W0022	Threaded Bore	20	M 8	-	8	20	33	65	15	-	97
74300.W0032	Threaded Bore	22	M10	-	8	20	37	82	15	-	113
74300.W0038	Threaded Bore	25	M12	-	10	25	42	96	18	-	165
74300.W0042	Threaded Bore	28	M12	-	12	30	47	110	18	-	262
74300.W0048	Threaded Bore	32	M16	-	12	32	52	124	23	-	354
74300.W0052	Threaded Bore	36	M16	-	14	35	58	138	24	-	519
74300.W0058	Threaded Bore	40	M20	-	16	40	64	152	27	-	715
74300.W0020	Smooth Bore	20	-	10	8	20	33	67	-	16	91
74300.W0030	Smooth Bore	22	-	10	8	20	37	82	-	18	117
74300.W0035	Smooth Bore	25	-	12	10	25	42	96	-	21	170
74300.W0040	Smooth Bore	28	-	12	12	30	47	110	-	22	268
74300.W0045	Smooth Bore	32	-	16	12	32	52	124	-	25	351
74300.W0050	Smooth Bore	36	-	16	14	35	58	138	-	26	524
74300.W0055	Smooth Bore	40	-	20	16	40	64	152	-	29	700



**74301**

CLAMPING LEVERS

**Material**

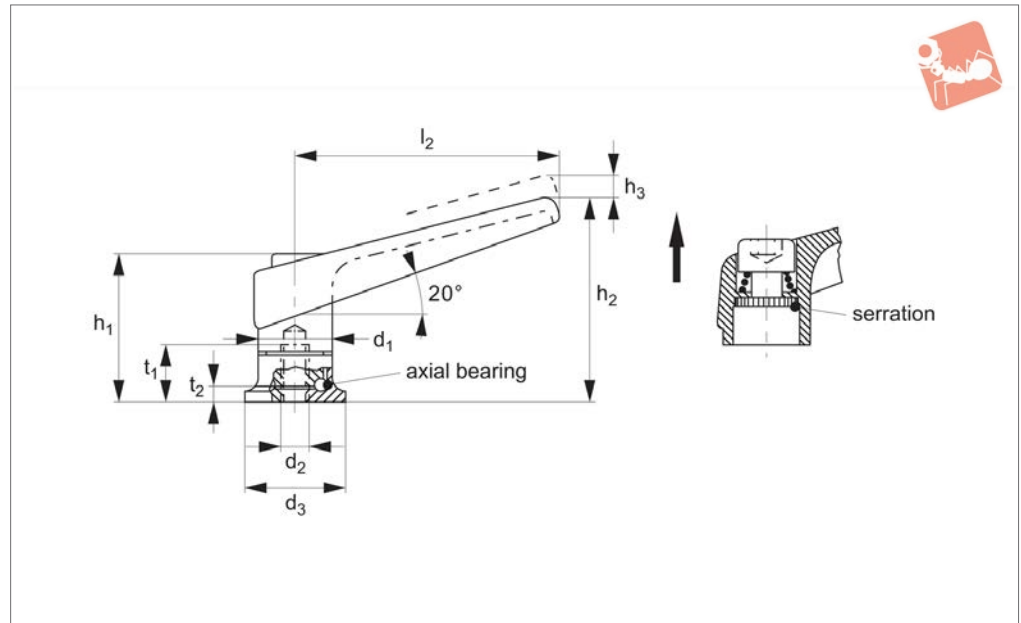
Handle: stainless steel 1.4305 (AISI 303).  
Dull blasted.

Ball knob: plastic type 31 black.

Order No.	Finish	d <sub>1</sub>	d <sub>2</sub>	d <sub>4</sub>	d <sub>5</sub>	h	l	t <sub>1</sub>	Weight g
<b>74301.W0230</b>	Threaded Bore	22	M 8	8	20	37	70	15	121
<b>74301.W0236</b>	Threaded Bore	25	M10	10	25	42	96	15	186
<b>74301.W0242</b>	Threaded Bore	28	M12	12	30	47	110	18	262
<b>74301.W0248</b>	Threaded Bore	32	M16	12	32	52	124	23	354



**74470**



### Material

Lever: die-cast zinc.

Orange RAL 2004,

Black RAL 9005.

Inner parts: heat-treated steel, nitrided, black.

Threaded part: steel, nitrided, blackened.

### Technical Notes

By lifting the lever, the serrations are

disengaged. The lever can be positioned by the serrations and the threaded insert can be exchanged. On releasing the lever, the serrations are automatically re-engaged. The collar screw is torx head.

### Tips

Benefits of axial bearing:

- clamping force is 100% greater than when using standard levers (see graph).

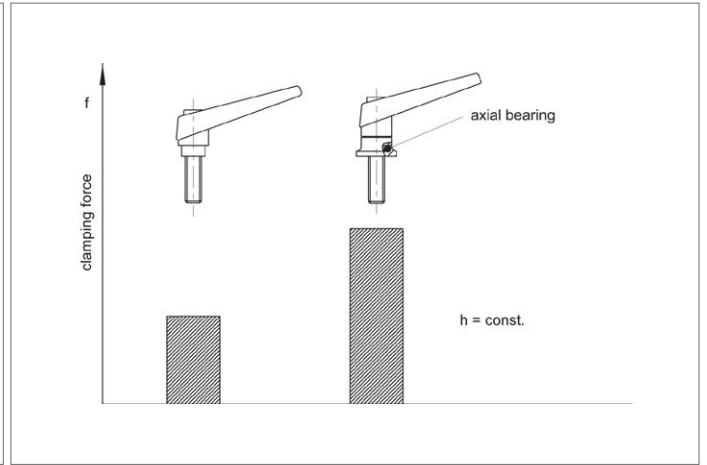
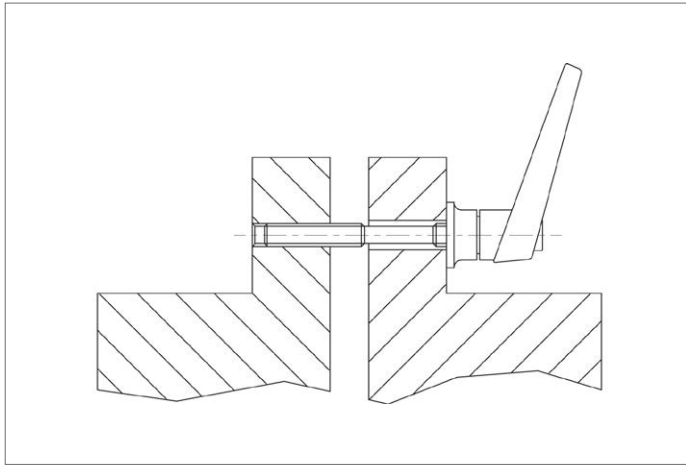
- smaller clamping levers can be used due to the improved clamping force.
- considerably less force loss due to setting.
- no releasing due to vibration.
- no damage to clamped parts, due to axial action.

Order No.	Finish	d <sub>1</sub>	d <sub>2</sub>	d <sub>3</sub>	h <sub>1</sub>	h <sub>2</sub>	h <sub>3</sub>	l <sub>2</sub>	t <sub>1</sub> min.	t <sub>2</sub>	Weight g
74470.W0010	Orange	18	M_6	24.0	34.5	50	3.0	62	12.5	5.0	99
74470.W0110	Orange	22	M_8	25.0	39.5	56	3.5	74	14.0	4.2	140
74470.W0210	Orange	25	M10	30.0	46.5	66	4.0	89	18.0	5.4	207
74470.W0310	Orange	30	M12	35.0	56.5	82	5.0	108	26.5	6.6	359
74470.W0012	Black	18	M_6	24.0	34.5	50	3.0	62	12.5	5.0	99
74470.W0112	Black	22	M_8	25.0	39.5	56	3.5	74	14.0	4.2	140
74470.W0212	Black	25	M10	30.0	46.5	66	4.0	89	18.0	5.4	207
74470.W0312	Black	30	M12	35.0	56.5	82	5.0	108	26.5	6.6	359



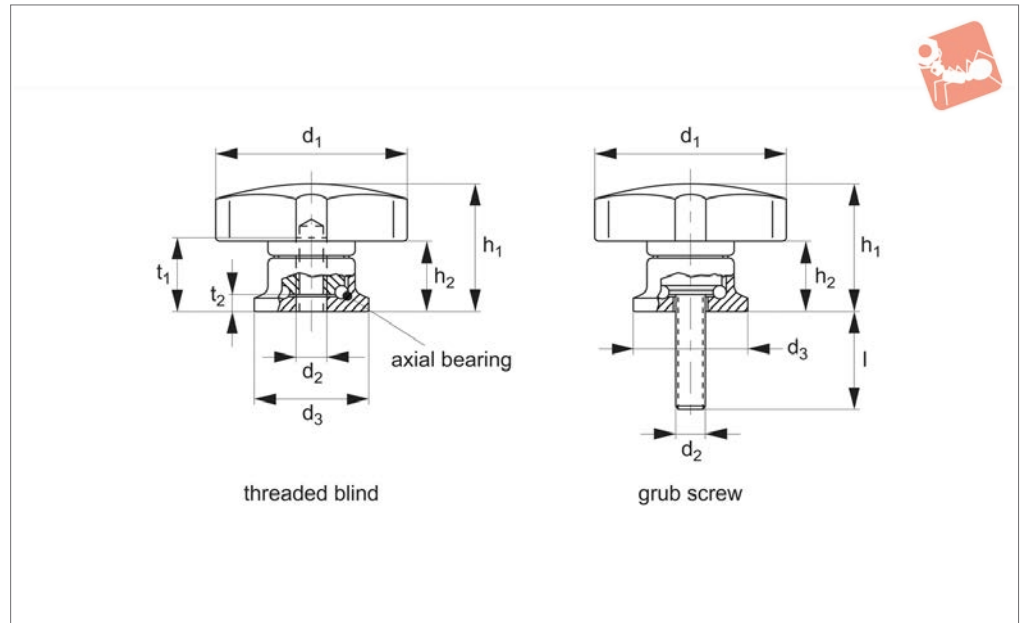
# Adjustable Clamping Levers with axial bearing - threaded bore

## Clamping Levers





### 70550



#### Material

Grip: thermoplast (PA).  
 Inner part: heat-treated steel, nitrited black.  
 Screw: quality 8.8, blackened.

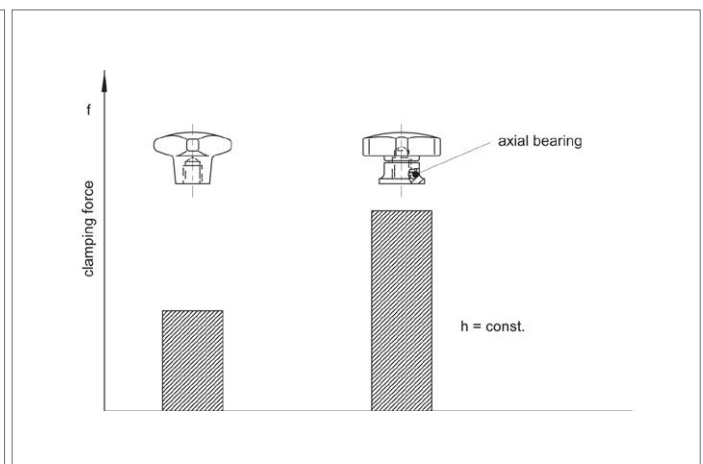
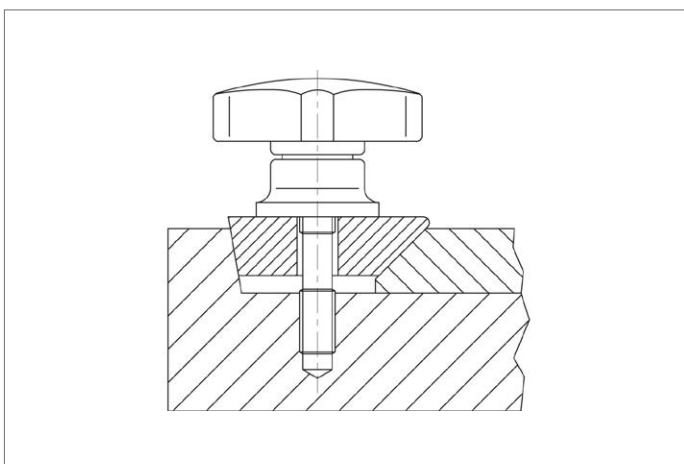
#### Technical Notes

Advantages of axial bearing:  
 - Double clamping force with same lever size, by reducing the surface friction.  
 - Protection of work piece by fixed locating

face.

- Little setting due to higher pre-clamping force of bolt.  
 Temperature resistance +80°C max.

Order No.	Finish	d <sub>1</sub>	d <sub>2</sub>	d <sub>3</sub>	h <sub>1</sub> ≈	h <sub>2</sub> ≈	l +2	t <sub>1</sub> min.	t <sub>2</sub>	Weight g
70550.W0040	Threaded, Blind	40	M 6	24	27	15.0	-	12.5	5.0	45
70550.W0050	Threaded, Blind	50	M 8	25	34	22.5	-	14.0	4.2	68
70550.W0063	Threaded, Blind	63	M10	30	41	26.5	-	18.0	5.4	111
70550.W0080	Threaded, Blind	80	M12	35	54	34.0	-	26.5	6.6	218
70550.W0042	Grub Screw	40	M 6	24	27	15.0	15	-	-	50
70550.W0044	Grub Screw	40	M 6	24	27	15.0	25	-	-	52
70550.W0053	Grub Screw	50	M 8	25	34	22.5	20	-	-	81
70550.W0056	Grub Screw	50	M 8	25	34	22.5	35	-	-	86
70550.W0066	Grub Screw	63	M10	30	41	26.5	30	-	-	137
70550.W0068	Grub Screw	63	M10	30	41	26.5	40	-	-	142
70550.W0083	Grub Screw	80	M12	35	54	34.0	30	-	-	258
70550.W0087	Grub Screw	80	M12	35	54	34.0	50	-	-	276



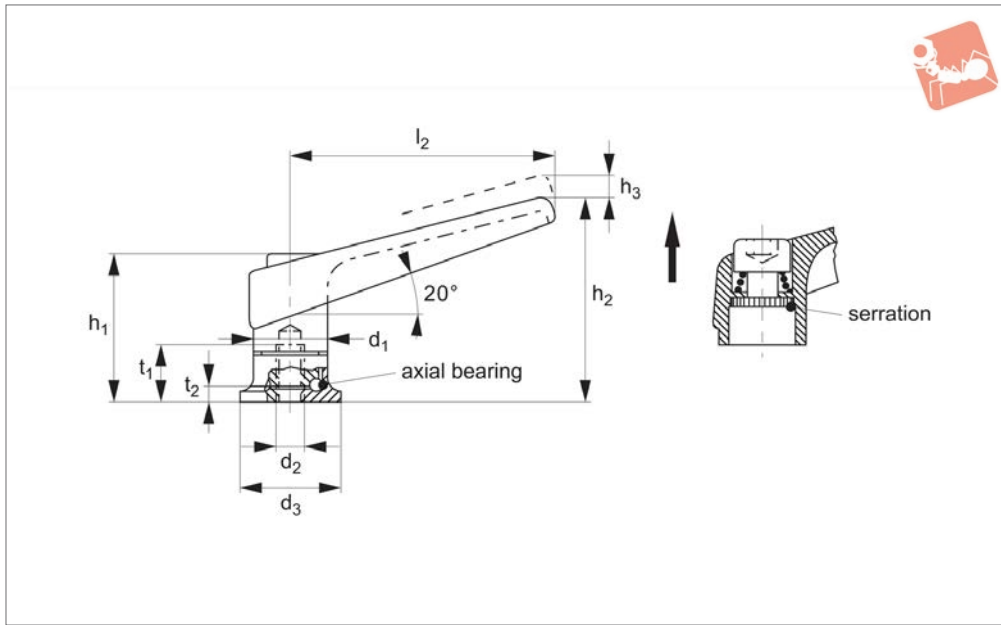




# Adjustable Clamping Levers

with axial bearing, from stainless steel, with female

# Clamping Levers



**74472**

CLAMPING LEVERS

### Material

Lever: zinc die-cast, orange, similar to RAL 2004. Zinc die-cast, black, similar to RAL 9005.

Threaded part: stainless steel.

Inner part: stainless steel.

Threaded part: stainless steel, hardened.

### Technical Notes

By lifting the lever, the serrations are

disengaged. The lever can be positioned by the serrations and the threaded insert can be exchanged. On releasing the lever, the serrations are automatically re-engaged.

### Tips

Benefits of axial bearing:

- clamping force is 100% greater than when using standard levers (see graph).
- smaller clamping levers can be used due

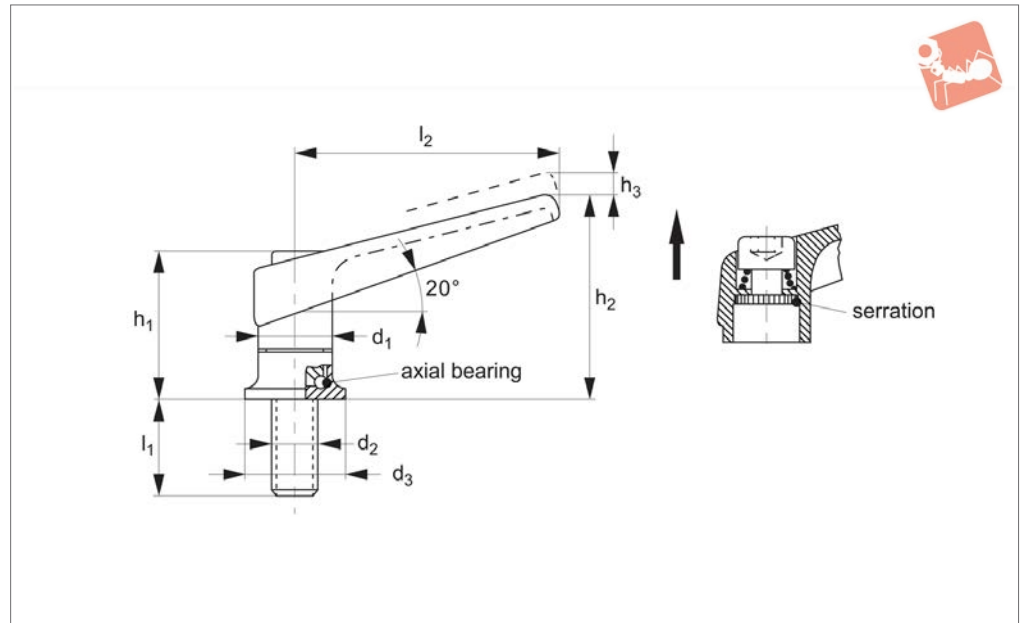
to the improved clamping force.

- considerably less force loss due to setting.
- no releasing due to vibration.
- no damage to clamped parts, due to axial action.

Order No.	Colour	d <sub>1</sub>	d <sub>2</sub>	d <sub>3</sub>	h <sub>1</sub>	h <sub>2</sub>	h <sub>3</sub>	l <sub>2</sub>	t <sub>1</sub> min.	t <sub>2</sub>	Weight g
<b>74472.W1010</b>	Orange	18	M 6	24	34.5	50	3.0	62	12.5	5.0	99
<b>74472.W1012</b>	Black	18	M 6	24	34.5	50	3.0	62	12.5	5.0	99
<b>74472.W1110</b>	Orange	22	M 8	25	39.5	56	3.5	74	14.0	4.2	140
<b>74472.W1112</b>	Black	22	M 8	25	39.5	56	3.5	74	14.0	4.2	140
<b>74472.W1210</b>	Orange	25	M10	30	46.5	66	4.0	89	18.0	5.4	207
<b>74472.W1212</b>	Black	25	M10	30	46.5	66	4.0	89	18.0	5.4	207
<b>74472.W1310</b>	Orange	30	M12	35	56.5	82	5.0	108	26.5	6.6	359
<b>74472.W1312</b>	Black	30	M12	35	56.5	82	5.0	108	26.5	6.6	359



### 74480



#### Material

Lever: die-cast zinc.  
 Orange RAL 2004,  
 Black RAL 9005.  
 Inner parts: heat-treated steel, nitrided,  
 blackened.  
 Screw: steel, nitrided, blackened.

#### Technical Notes

Lifting the lever disengages the serrations

and the lever can be positioned. On releasing the lever the serrations are automatically re-engaged.

#### Tips

Benefits of axial bearing:  
 - clamping force is 100% greater than when using standard levers (see graph).  
 - smaller clamping levers can be used due to the improved clamping force.

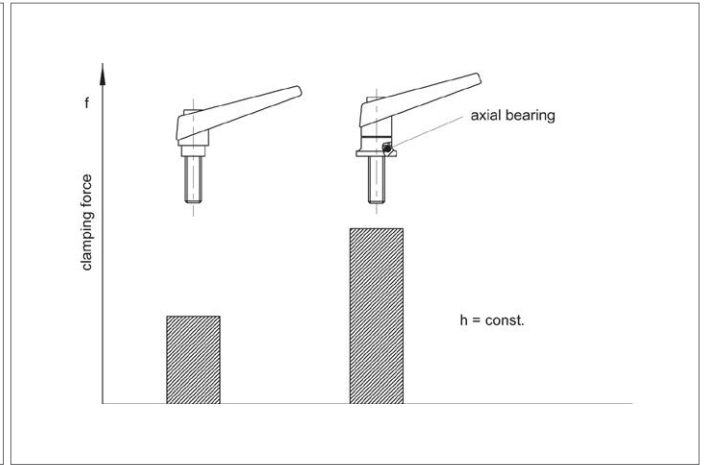
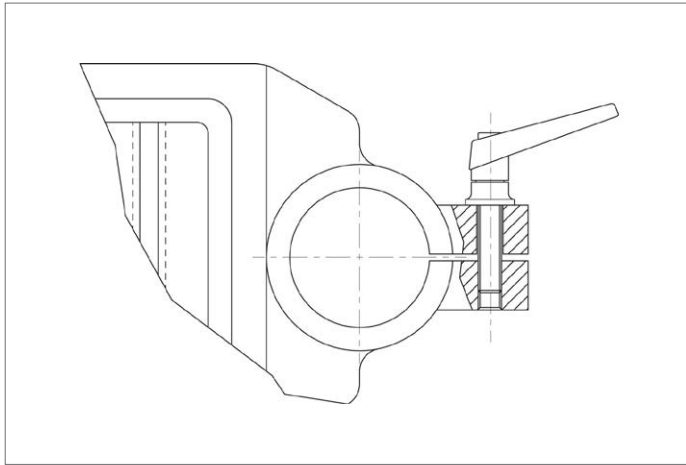
- considerably less force loss due to setting.  
 - no releasing due to vibration.  
 - no damage to clamped parts, due to axial action.

Order No.	Finish	d <sub>1</sub>	d <sub>2</sub>	d <sub>3</sub>	h <sub>1</sub>	h <sub>2</sub>	h <sub>3</sub>	l <sub>1</sub>	l <sub>2</sub>	Weight g
74480.W0030	Orange	18	M_6	24	34.5	50	3.0	20	62	97
74480.W0050	Orange	18	M_6	24	34.5	50	3.0	27	62	98
74480.W0130	Orange	22	M_8	25	39.5	56	3.5	21	74	151
74480.W0150	Orange	22	M_8	25	39.5	56	3.5	36	74	157
74480.W0230	Orange	25	M10	30	46.5	66	4.0	29	89	232
74480.W0250	Orange	25	M10	30	46.5	66	4.0	47	89	242
74480.W0330	Orange	30	M12	35	56.5	82	5.0	34	108	412
74480.W0346	Orange	30	M12	35	56.5	82	5.0	50	108	420
74480.W0350	Orange	30	M12	35	56.5	82	5.0	57	108	426
74480.W0364	Orange	30	M12	35	56.5	82	5.0	65	108	431
74480.W0384	Orange	30	M12	35	56.5	82	5.0	85	108	449
74480.W0032	Black	18	M_6	24	34.5	50	3.0	20	62	97
74480.W0052	Black	18	M_6	24	34.5	50	3.0	27	62	98
74480.W0132	Black	22	M_8	25	39.5	56	3.5	21	74	151
74480.W0152	Black	22	M_8	25	39.5	56	3.5	36	74	157
74480.W0232	Black	25	M10	30	46.5	66	4.0	29	89	232
74480.W0252	Black	25	M10	30	46.5	66	4.0	47	89	242
74480.W0332	Black	30	M12	35	56.5	82	5.0	34	108	412
74480.W0348	Black	30	M12	35	56.5	82	5.0	50	108	420
74480.W0352	Black	30	M12	35	56.5	82	5.0	57	108	426
74480.W0366	Black	30	M12	35	56.5	82	5.0	65	108	431
74480.W0386	Black	30	M12	35	56.5	82	5.0	85	108	449



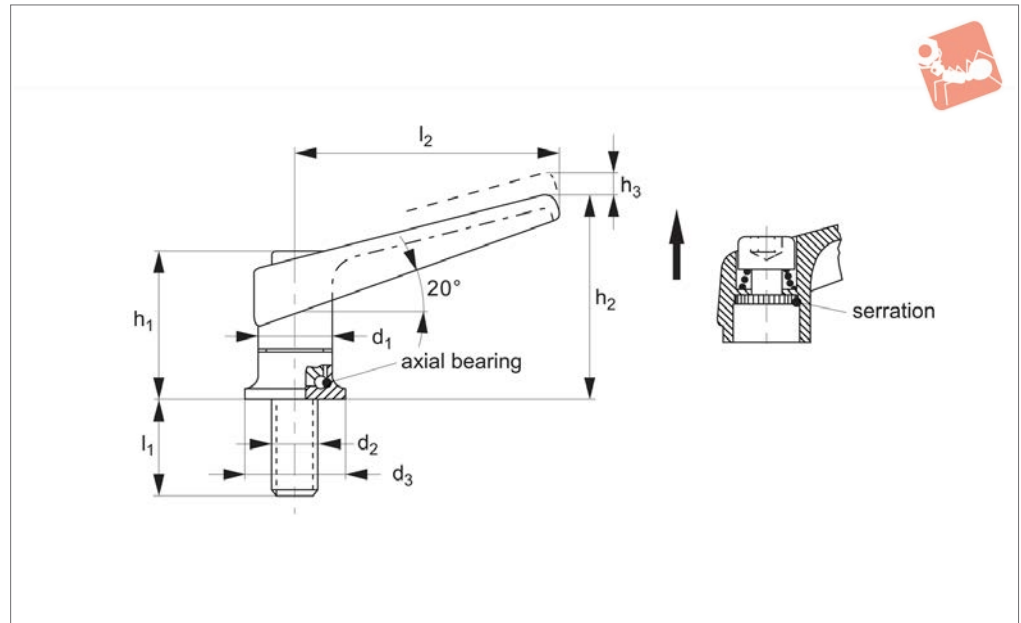
# Adjustable Clamping Levers with axial bearing - with grub screw

## Clamping Levers





## 74482



### Material

Lever: zinc die-cast, orange, similar to RAL 2004. Zinc die-cast, black, similar to RAL 9005.

Screw: stainless steel.

Inner parts: stainless steel.

Threaded part: stainless steel, hardened.

### Technical Notes

Lifting the lever disengages the serrations

and the lever can be positioned. On releasing the lever the serrations are automatically re-engaged.

### Tips

Benefits of axial bearing:

- clamping force is 100% greater than when using standard levers (see graph).
- smaller clamping levers can be used due to the improved clamping force.

- considerably less force loss due to setting.

- no releasing due to vibration.

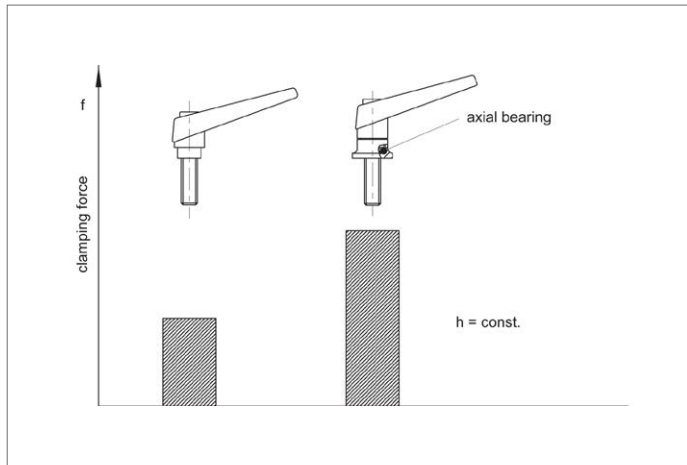
- no damage to clamped parts, due to axial action.

Order No.	Colour	d <sub>1</sub>	d <sub>2</sub>	d <sub>3</sub>	h <sub>1</sub>	h <sub>2</sub>	h <sub>3</sub>	l <sub>1</sub>	l <sub>2</sub>	Weight g
74482.W1030	Orange	18	M 6	24	34.5	50	3.0	20	62	97
74482.W1032	Black	18	M 6	24	34.5	50	3.0	20	62	97
74482.W1050	Orange	18	M 6	24	34.5	50	3.0	27	62	98
74482.W1052	Black	18	M 6	24	34.5	50	3.0	27	62	98
74482.W1130	Orange	22	M 8	25	39.5	56	3.5	21	74	151
74482.W1132	Black	22	M 8	25	39.5	56	3.5	21	74	151
74482.W1150	Orange	22	M 8	25	39.5	56	3.5	36	74	157
74482.W1152	Black	22	M 8	25	39.5	56	3.5	36	74	157
74482.W1230	Orange	25	M10	30	46.5	66	4.0	29	89	232
74482.W1232	Black	25	M10	30	46.5	66	4.0	29	89	232
74482.W1250	Orange	25	M10	30	46.5	66	4.0	47	89	242
74482.W1252	Black	25	M10	30	46.5	66	4.0	47	89	242
74482.W1330	Orange	30	M12	35	56.5	82	5.0	34	108	412
74482.W1332	Black	30	M12	35	56.5	82	5.0	34	108	412
74482.W1346	Orange	30	M12	35	56.5	82	5.0	50	108	420
74482.W1348	Black	30	M12	35	56.5	82	5.0	50	108	420
74482.W1350	Orange	30	M12	35	56.5	82	5.0	57	108	426
74482.W1352	Black	30	M12	35	56.5	82	5.0	57	108	426
74482.W1364	Orange	30	M12	35	56.5	82	5.0	65	108	431
74482.W1366	Black	30	M12	35	56.5	82	5.0	65	108	431
74482.W1384	Orange	30	M12	35	56.5	82	5.0	85	108	449
74482.W1386	Black	30	M12	35	56.5	82	5.0	85	108	449



# Adjustable Clamping Levers

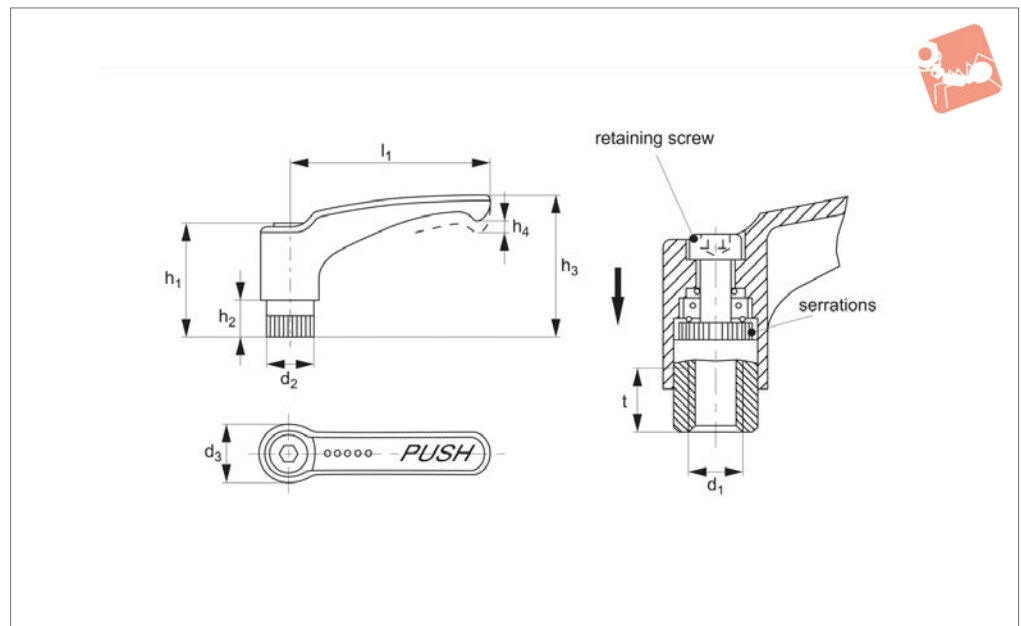
with axial bearing, from stainless steel, with screw



CLAMPING LEVERS



**74860**



**Material**

Plastic technopolymer (polyamide PA) glass fibre reinforced, black.  
Inner parts: steel, blackened embedded in black plastic.

**Tips**

**Unique Safety Handle.**

**When not in use, the lever is not engaged with threaded insert, i.e. the adjustable lever turns freely.**

**As soon as the lever hub is pushed down, both serrations will engage, allowing the fixture to be released or clamped.**

**After „releasing“, the lever disengages**

**through spring tension.**

**Important Notes**

Used where accidental loosening or readjustment can result in accidents.  
Temperature resistant to +130°C.

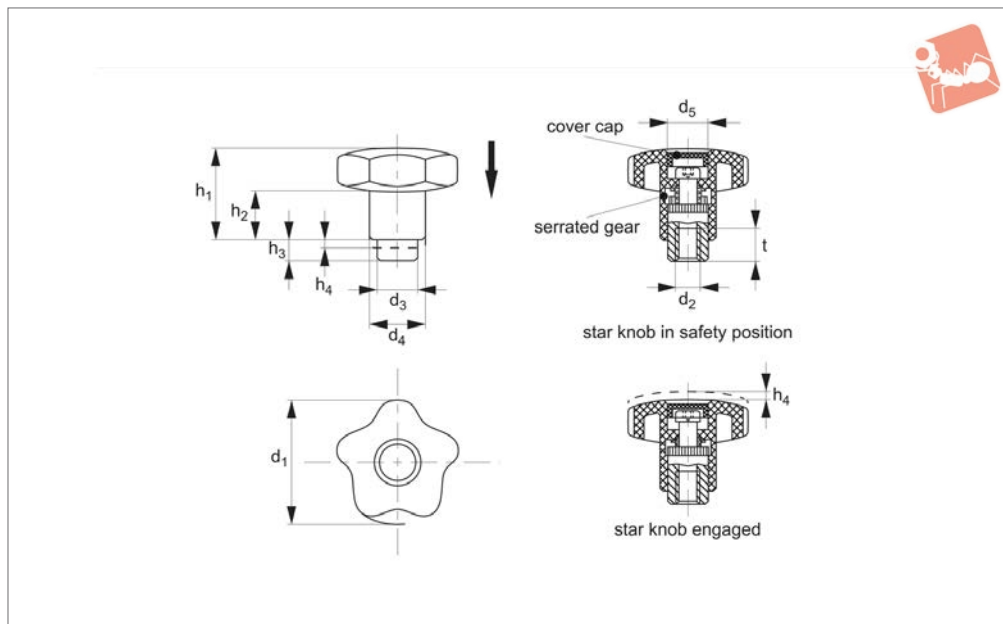
Order No.	$l_1$	$d_1$	$d_2$	$d_3$	$h_1$	$h_2$	$h_3$	$h_4$ stroke	t min.	Weight g
74860.W0041	44	M 4	12	15.5	29	9	36	3.5	10	14
74860.W0042	44	M 5	12	15.5	29	9	36	3.5	10	13
74860.W0043	44	M 6	12	15.5	29	9	36	3.5	10	12
74860.W0061	63	M 6	15	19.0	37	12	48	4.0	13	25
74860.W0062	63	M 8	15	19.0	37	12	48	4.0	13	24



# Free Running Safety Star Grip

free-running when not engaged

## Clamping Levers



**70300**

CLAMPING LEVERS

### Material

Plastic technopolymer (Polyamide PA)  
glass fibre reinforced, black.  
Thread bush, steel.  
Inner parts: zinc die cast.

dental loosening or adjusting of the knob may lead to accidents.  
Temperature resistant to +130°C.

### Tips

**Unique safety handle:**  
When not in use, star knob is not engaged with the threaded insert, i.e. the knob is free-running. Only after axial

pushing of the star knob, the two serrations get engaged so that the knob can be loosened/ tightened. After releasing, the two serrations are disengaged by a spring.

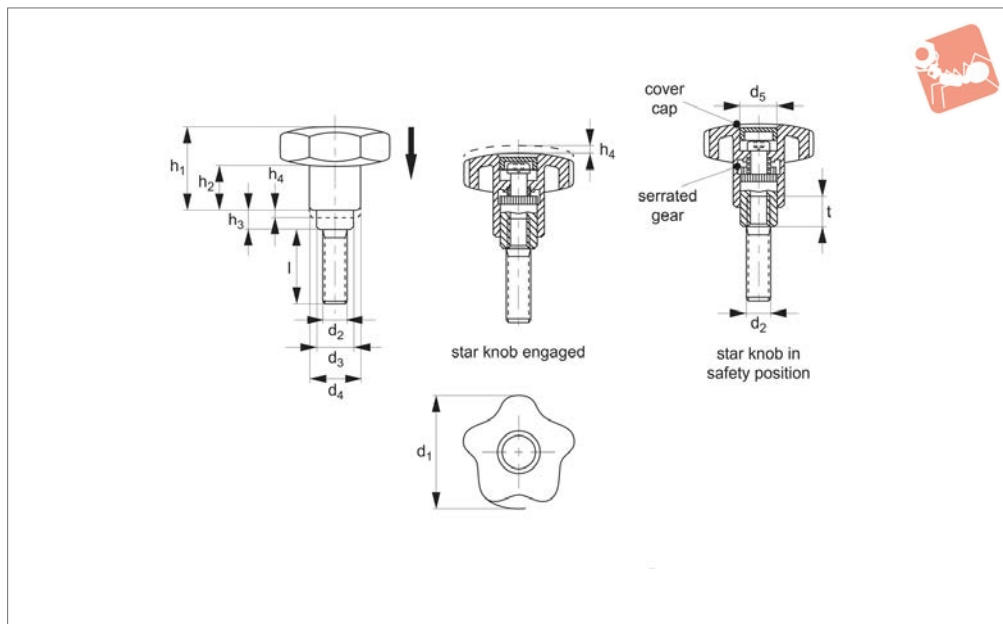
### Technical Notes

Suitable for applications where an acci-

Order No.	d <sub>1</sub>	d <sub>2</sub>	d <sub>3</sub>	d <sub>4</sub>	d <sub>5</sub>	h <sub>1</sub>	h <sub>2</sub>	h <sub>3</sub>	h <sub>4</sub> stroke	t min.
70300.W0061	40	M 6	13.5	18	13.5	30	14	7	2.5	11
70300.W0081	40	M 8	13.5	18	13.5	30	14	7	2.5	11
70300.W0082	50	M 8	16.0	22	16.5	34	15	8	3.5	14
70300.W0101	50	M10	16.0	22	16.5	34	15	8	3.5	14



### 70310



#### Material

Plastic technopolymer (Polyamide PA) glass fibre reinforced, black.  
Thread bush, steel.  
Inner parts: zinc die cast.

dental loosening or adjusting of the knob may lead to accidents.  
Temperature resistant to +130°C.

**pushing of the star knob, the two serrations get engaged so that the knob can be loosened/ tightened. After releasing, the two serrations are disengaged by a spring.**

#### Technical Notes

Suitable for applications where an acci-

#### Tips

**Unique safety handle. When not in use, star knob is not engaged with the threaded insert, i.e. the knob is free-running. Only after axial**

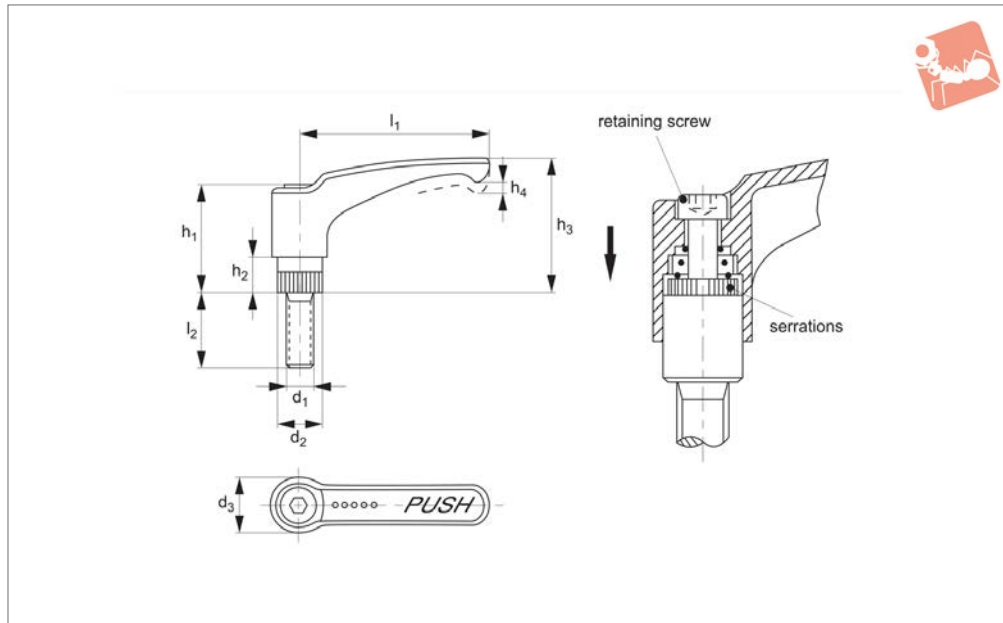
Order No.	d <sub>1</sub>	d <sub>2</sub>	l	d <sub>3</sub>	d <sub>4</sub>	d <sub>5</sub>	h <sub>1</sub>	h <sub>2</sub>	h <sub>3</sub>	h <sub>4</sub> stroke
70310.W0061	40	M 6	20	13.5	18	13.5	30	14	7	2.5
70310.W0062	40	M 6	25	13.5	18	13.5	30	14	7	2.5
70310.W0063	40	M 6	32	13.5	18	13.5	30	14	7	2.5
70310.W0064	40	M 6	40	13.5	18	13.5	30	14	7	2.5
70310.W0081	40	M 8	20	13.5	18	13.5	30	14	7	2.5
70310.W0082	40	M 8	25	13.5	18	13.5	30	14	7	2.5
70310.W0083	40	M 8	32	13.5	18	13.5	30	14	7	2.5
70310.W0084	40	M 8	40	13.5	18	13.5	30	14	7	2.5
70310.W0085	50	M 8	25	16.0	22	16.5	34	15	8	3.5
70310.W0086	50	M 8	32	16.0	22	16.5	34	15	8	3.5
70310.W0087	50	M 8	40	16.0	22	16.5	34	15	8	3.5
70310.W0088	50	M 8	50	16.0	22	16.5	34	15	8	3.5
70310.W0101	50	M10	25	16.0	22	16.5	34	15	8	3.5
70310.W0102	50	M10	32	16.0	22	16.5	34	15	8	3.5
70310.W0103	50	M10	40	16.0	22	16.5	34	15	8	3.5
70310.W0104	50	M10	50	16.0	22	16.5	34	15	8	3.5





# Free Running Safety Clamping Lever, free-running when not engaged

## Clamping Levers



**74880**

CLAMPING LEVERS

### Material

Plastic technopolymer (polyamide PA) glass fibre reinforced, black.  
Inner parts: steel, blackened embedded in black plastic.

### Tips

**Unique Safety Handle.**

**When not in use, the lever is not engaged with threaded insert, i.e. the adjustable lever turns freely.**

**As soon as the lever hub is pushed down, both serrations will engage, allowing the fixture to be released or clamped.**

**After „releasing“, the lever disengages**

**through spring tension.**

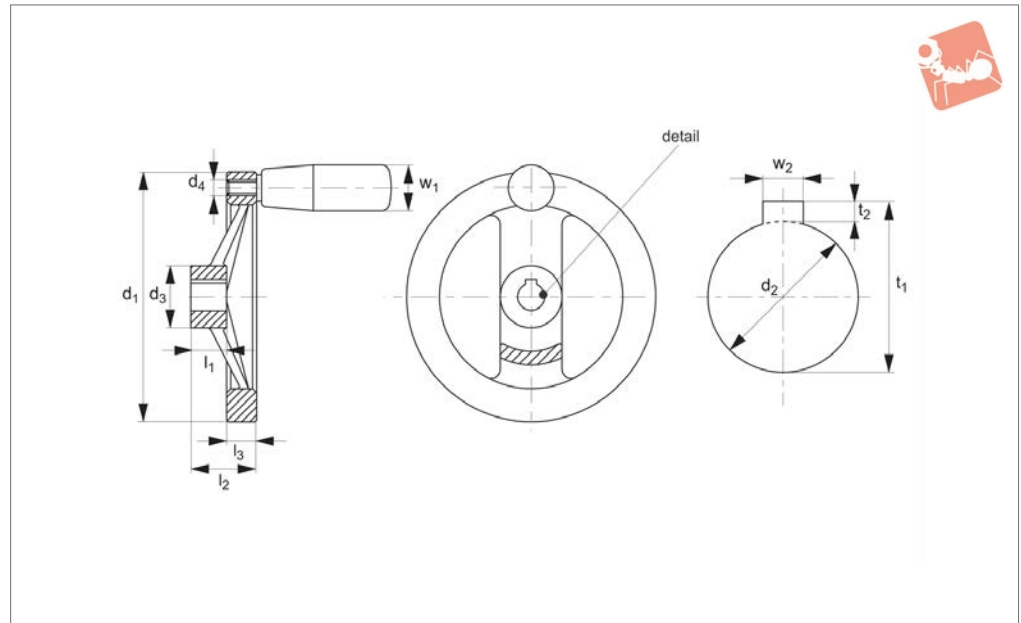
### Important Notes

Used where accidental loosening or readjustment can result in accidents.  
Temperature resistant to +130°C.

Order No.	$l_1$	$d_1$	$d_2$	$d_3$	$h_1$	$h_2$	$h_3$	$h_4$ stroke	$l_2$	Weight g
<b>74880.W0061</b>	44	M 6	12	15.5	29	9	36	3.5	16	18
<b>74880.W0062</b>	44	M 6	12	15.5	29	9	36	3.5	25	21
<b>74880.W0081</b>	63	M 8	15	19.0	37	12	48	4.0	20	38
<b>74880.W0082</b>	63	M 8	15	19.0	37	12	48	4.0	30	43



## 77300



### Material

Aluminium mould casting. Plastic handle PF 31, DIN 7708.

Hub machined; rim turned and mirror-finished on all sides, non-machined surfaces cleanly blasted.

For corresponding handle details see no. 75120 rotating handle.

### Technical Notes

The non-machined, raw surfaces are blasted; together with the mirror-polished

rim these handwheels are therefore showing a finish which in most cases does not require additional lacquering.

**For keyways information (dim.  $t_1$  and  $b_3$ ) to DIN 6885.**

Order No.	Type	Bore dia.	$d_1$	$d_2$ tol. H7 Small	$d_2$ tol. H7 Large	$d_3$	$d_4$	$l_1$	$l_2$ ≈	$l_3$	$w_1$	Weight g
77300.W0012	W/o Keyway, W/o Handle	$d_2$ Small	125	12	14	31	-	18	33	15.0	-	301
77300.W0013	W/o Keyway, W/o Handle	$d_2$ Large	125	12	14	31	-	18	33	15.0	-	301
77300.W0014	W/o Keyway, W/o Handle	$d_2$ Small	140	14	16	36	-	19	36	16.5	-	400
77300.W0015	W/o Keyway, W/o Handle	$d_2$ Large	140	14	16	36	-	19	36	16.5	-	400
77300.W0016	W/o Keyway, W/o Handle	$d_2$ Small	160	14	16	36	-	20	39	18.0	-	520
77300.W0017	W/o Keyway, W/o Handle	$d_2$ Large	160	14	16	36	-	20	39	18.0	-	520
77300.W0020	W/o Keyway, W/o Handle	$d_2$ Small	200	18	20	42	-	24	45	20.5	-	886
77300.W0021	W/o Keyway, W/o Handle	$d_2$ Large	200	18	20	42	-	24	45	20.5	-	886
77300.W0025	W/o Keyway, W/o Handle	$d_2$ Small	250	22	26	48	-	28	51	23.0	-	1454
77300.W0026	W/o Keyway, W/o Handle	$d_2$ Large	250	22	26	48	-	28	51	23.0	-	1454
77300.W0112	With Keyway, W/o Handle	$d_2$ Small	125	12	14	31	-	18	33	15.0	-	303
77300.W0113	With Keyway, W/o Handle	$d_2$ Large	125	12	14	31	-	18	33	15.0	-	303
77300.W0114	With Keyway, W/o Handle	$d_2$ Small	140	14	16	36	-	19	36	16.5	-	406
77300.W0115	With Keyway, W/o Handle	$d_2$ Large	140	14	16	36	-	19	36	16.5	-	406
77300.W0116	With Keyway, W/o Handle	$d_2$ Small	160	14	16	36	-	20	39	18.0	-	542
77300.W0117	With Keyway, W/o Handle	$d_2$ Large	160	14	16	36	-	20	39	18.0	-	542
77300.W0120	With Keyway, W/o Handle	$d_2$ Small	200	18	20	42	-	24	45	20.5	-	914
77300.W0121	With Keyway, W/o Handle	$d_2$ Large	200	18	20	42	-	24	45	20.5	-	914
77300.W0125	With Keyway, W/o Handle	$d_2$ Small	250	22	26	48	-	28	51	23.0	-	1446
77300.W0126	With Keyway, W/o Handle	$d_2$ Large	250	22	26	48	-	28	51	23.0	-	1446
77300.W0512	W/o Keyway, With Handle	$d_2$ Small	125	12	14	31	M 8	18	33	15.0	23	390
77300.W0513	W/o Keyway, With Handle	$d_2$ Large	125	12	14	31	M 8	18	33	15.0	23	390
77300.W0514	W/o Keyway, With Handle	$d_2$ Small	140	14	16	36	M 8	19	36	16.5	23	490
77300.W0515	W/o Keyway, With Handle	$d_2$ Large	140	14	16	36	M 8	19	36	16.5	23	490
77300.W0516	W/o Keyway, With Handle	$d_2$ Small	160	14	16	36	M10	20	39	18.0	26	645
77300.W0517	W/o Keyway, With Handle	$d_2$ Large	160	14	16	36	M10	20	39	18.0	26	645
77300.W0520	W/o Keyway, With Handle	$d_2$ Small	200	18	20	42	M10	24	45	20.5	26	1000
77300.W0521	W/o Keyway, With Handle	$d_2$ Large	200	18	20	42	M10	24	45	20.5	26	1000
77300.W0525	W/o Keyway, With Handle	$d_2$ Small	250	22	26	48	M10	28	51	23.0	28	1585
77300.W0526	W/o Keyway, With Handle	$d_2$ Large	250	22	26	48	M10	28	51	23.0	28	1585
77300.W0612	With Keyway, With Handle	$d_2$ Small	125	12	14	31	M 8	18	33	15.0	23	390
77300.W0613	With Keyway, With Handle	$d_2$ Large	125	12	14	31	M 8	18	33	15.0	23	390



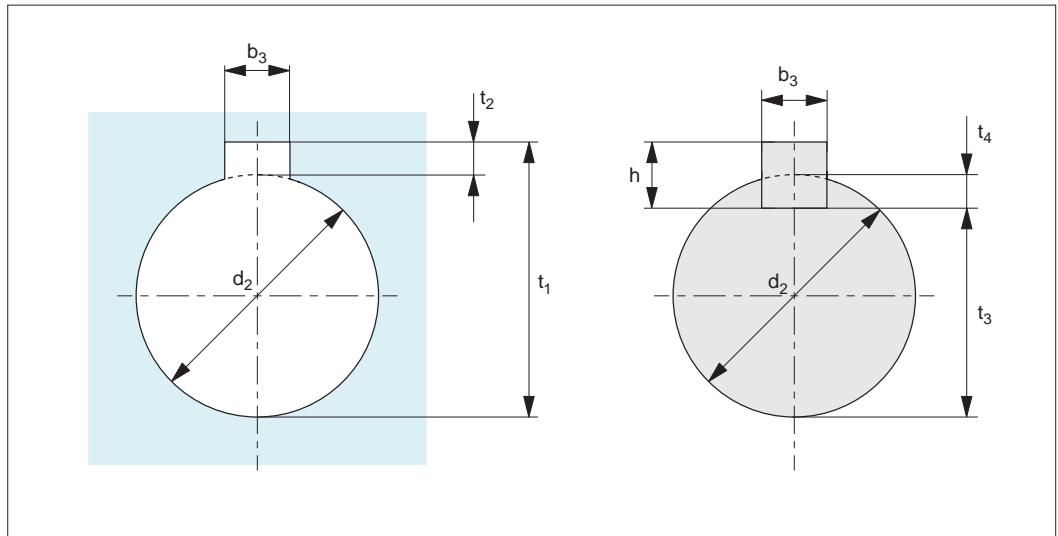
# Handwheels - 2 Spoke



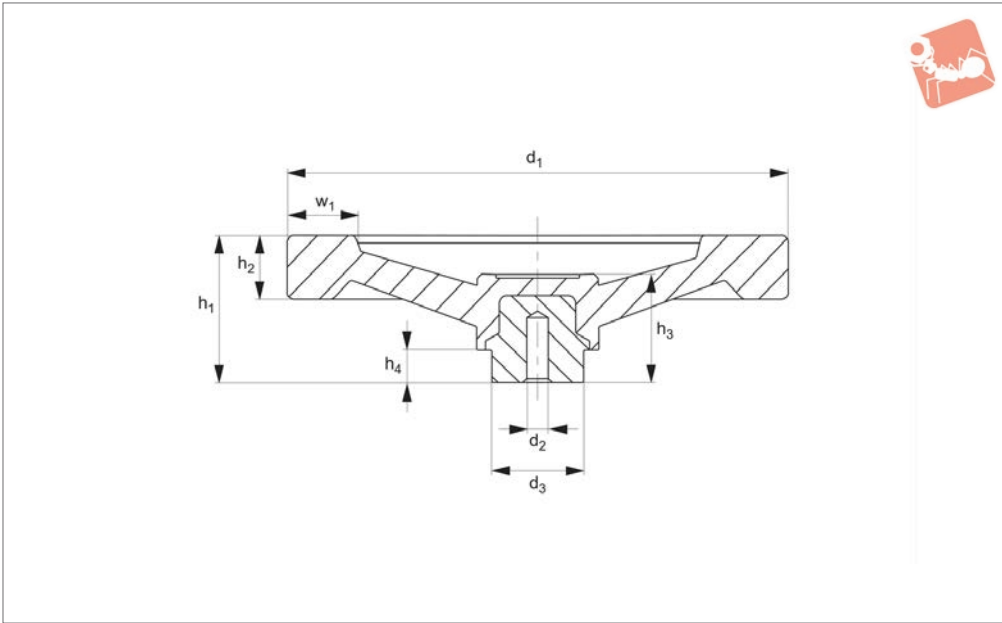
## Handwheels

Order No.	Type	Bore dia.	d <sub>1</sub>	d <sub>2</sub> tol. H7 Small	d <sub>2</sub> tol. H7 Large	d <sub>3</sub>	d <sub>4</sub>	l <sub>1</sub>	l <sub>2</sub> z	l <sub>3</sub>	w <sub>1</sub>	Weight g
<b>77300.W0614</b>	With Keyway, With Handle	d <sub>2</sub> Small	140	14	16	36	M 8	19	36	16.5	23	490
<b>77300.W0615</b>	With Keyway, With Handle	d <sub>2</sub> Large	140	14	16	36	M 8	19	36	16.5	23	490
<b>77300.W0616</b>	With Keyway, With Handle	d <sub>2</sub> Small	160	14	16	36	M10	20	39	18.0	26	645
<b>77300.W0617</b>	With Keyway, With Handle	d <sub>2</sub> Large	160	14	16	36	M10	20	39	18.0	26	645
<b>77300.W0620</b>	With Keyway, With Handle	d <sub>2</sub> Small	200	18	20	42	M10	24	45	20.5	26	1000
<b>77300.W0621</b>	With Keyway, With Handle	d <sub>2</sub> Large	200	18	20	42	M10	24	45	20.5	26	1000
<b>77300.W0625</b>	With Keyway, With Handle	d <sub>2</sub> Small	250	22	26	48	M10	28	51	23.0	28	1585
<b>77300.W0626</b>	With Keyway, With Handle	d <sub>2</sub> Large	250	22	26	48	M10	28	51	23.0	28	1585

HANDWHEELS



$d_2$	$b_{P9/JS9}$ hole	$b_{P9/N9}$ shaft	$h$	$t_1 = d_2 + t_2$	$t_2$	$t_3 = d_2 - t_4$	$t_4$
7	2	2	2	8	1+0,1	5,8	1,2+0,1
8	2	2	2	9	1	6,8	1,2
9	3	3	3	10,4	1,4	7,2	1,8
10	3	3	3	11,4	1,4	8,2	1,8
11	4	4	4	12,8	1,8	8,5	2,5
12	4	4	4	13,8	1,8	9,5	2,5
13	5	5	5	15,3	2,3	10	3
14	5	5	5	16,3	2,3	11	3
15	5	5	5	17,3	2,3	12	3
16	5	5	5	18,3	2,3	13	3
17	5	5	5	19,3	2,3	14	3
18	6	6	6	20,8	2,8	14,5	3,5
20	6	6	6	22,8	2,8	16,5	3,5
22	6	6	6	24,8	2,8	18,5	3,5
24	8	8	7	27,3	3,3+0,2	20	4+0,2
25	8	8	7	28,3	3,3	21	4
26	8	8	7	29,3	3,3	22	4
28	8	8	7	31,3	3,3	24	4
30	8	8	7	33,3	3,3	26	4
32	10	10	8	35,3	3,3	27	5
34	10	10	8	37,3	3,3	29	5
35	10	10	8	38,3	3,3	30	5
36	10	10	8	39,3	3,3	31	5
38	10	10	8	41,3	3,3	33	5
40	12	12	8	43,3	3,3	35	5
42	12	12	8	45,3	3,3	37	5
44	12	12	8	47,3	3,3	39	5



**77340**

HANDWHEELS

**Material**

Duroplast, black, matt. Zinc plated steel hub.

**Technical Notes**

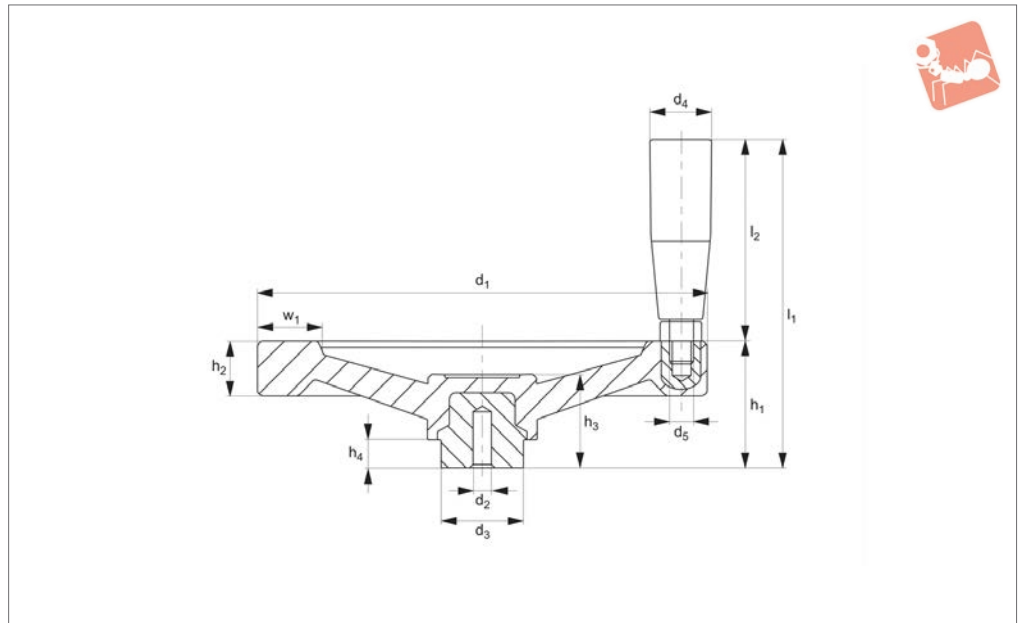
The pilot hole allows various sizes of holes, keyways etc. to be machined into the hub

upon request.

Order No.	d <sub>1</sub>	d <sub>2</sub>	d <sub>3</sub>	h <sub>1</sub>	h <sub>2</sub>	h <sub>3</sub>	h <sub>4</sub>	w <sub>1</sub>	Weight g
77340.W0100	100	4	24	36	14	30	11	15	169
77340.W0125	125	4	24	41	16	34	11	18	253
77340.W0150	125	6	32	46	20	38	13	21	433
77340.W0200	200	6	40	62	25	45	16	26	933
77340.W0250	250	8	48	70	28	50	17	30	1484



**77360**



**Material**

Black duroplast. Zinc plated steel hub.

keyways etc. to be machined into the hub upon request.

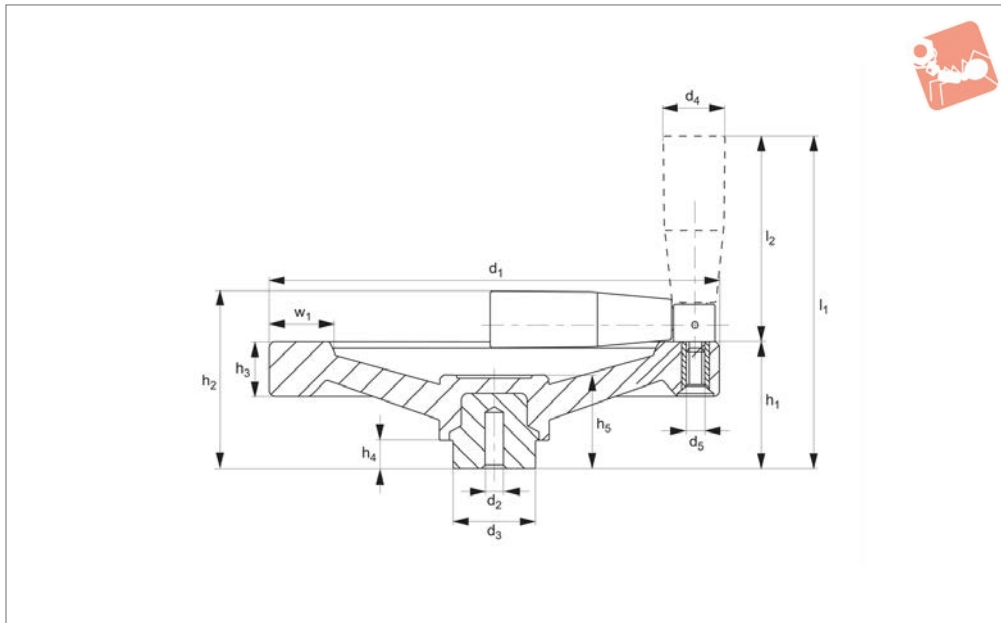
**Technical Notes**

The pilot hole allows various sizes of holes,

Order No.	Type	d <sub>1</sub>	d <sub>2</sub>	d <sub>3</sub>	d <sub>4</sub>	d <sub>5</sub>	h <sub>1</sub>	h <sub>2</sub>	h <sub>3</sub>	h <sub>4</sub>	l <sub>1</sub>	l <sub>2</sub>	w <sub>1</sub>	Weight g
<b>77360.W0100</b>	Standard	100	4	24	17	M 8	36	14	30	11	81	40	15	198
<b>77360.W0125</b>	Standard	125	4	24	23	M 8	41	16	34	11	102	55	18	312
<b>77360.W0150</b>	Standard	150	6	32	25	M10	46	20	38	13	117	65	21	525
<b>77360.W0200</b>	Standard	200	6	40	28	M10	62	25	45	16	154	85	26	1070
<b>77360.W0250</b>	Standard	250	8	48	28	M10	70	28	50	17	162	85	30	1628
<b>77360.W0600</b>	Reinforced	100	4	24	17	M 8	36	14	30	11	81	40	15	195
<b>77360.W0625</b>	Reinforced	125	4	24	23	M 8	41	16	34	11	102	55	18	317
<b>77360.W0650</b>	Reinforced	150	6	32	25	M10	46	20	38	13	117	65	21	519
<b>77360.W0700</b>	Reinforced	200	6	40	28	M10	62	25	45	16	154	85	26	1080
<b>77360.W0750</b>	Reinforced	250	8	48	28	M10	70	28	50	17	162	85	30	1662



# Two Spoked Handwheels with fold-away rotating grip



**77380**

HANDWHEELS

**Material**

Duroplast, black. Zinc plated steel hub.  
Fold-away revolving handle.

**Technical Notes**

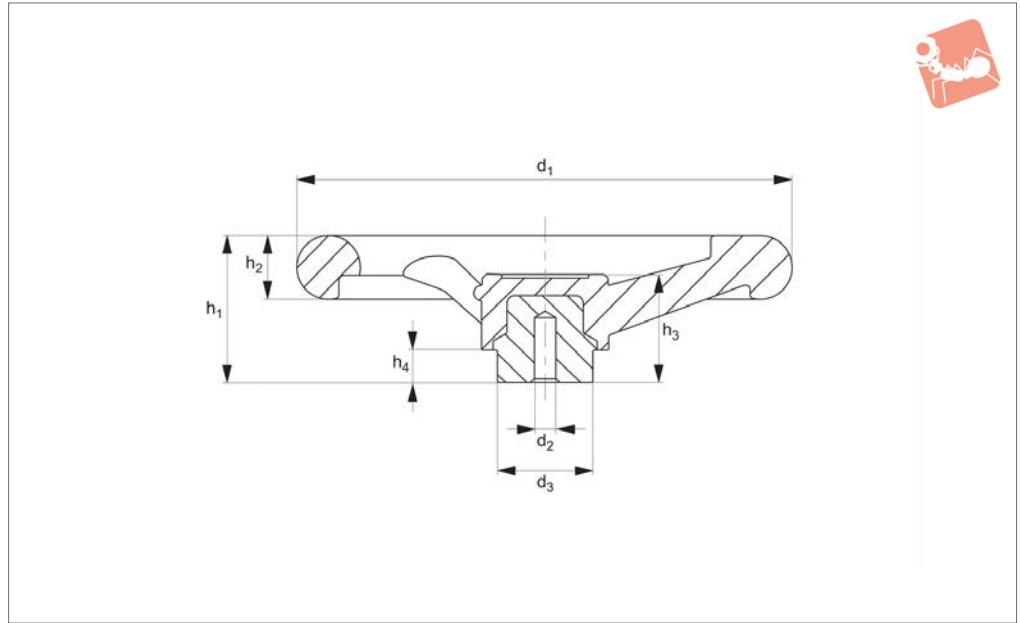
The pilot hole allows various sizes of holes,  
keyways etc. to be machined into the hub

upon request.

Order No.	d <sub>1</sub>	d <sub>2</sub>	d <sub>3</sub>	d <sub>4</sub>	d <sub>5</sub>	h <sub>1</sub>	h <sub>2</sub>	h <sub>3</sub>	h <sub>4</sub>	h <sub>5</sub>	l <sub>1</sub>	l <sub>2</sub>	w <sub>1</sub>	Weight g
<b>77380.W0125</b>	125	4	24	23	M 5	41	61	16	11	34	112	55	18	318
<b>77380.W0150</b>	150	6	32	25	M 6	46	67	20	13	38	128	65	21	500
<b>77380.W0200</b>	200	6	40	28	M 6	62	86	25	16	45	167	85	26	995
<b>77380.W0250</b>	250	8	48	28	M 6	70	94	28	17	50	175	85	30	1340



77010



**Material**

**Standard:** Duroplast, black. Zinc plated steel hub.

**Reinforced:** Duroplast with glass fibre

beads of increased strength, black zinc plated steel hub.

**Technical Notes**

The pilot hole allows various sizes of holes, keyways etc. to be machined into the boss.

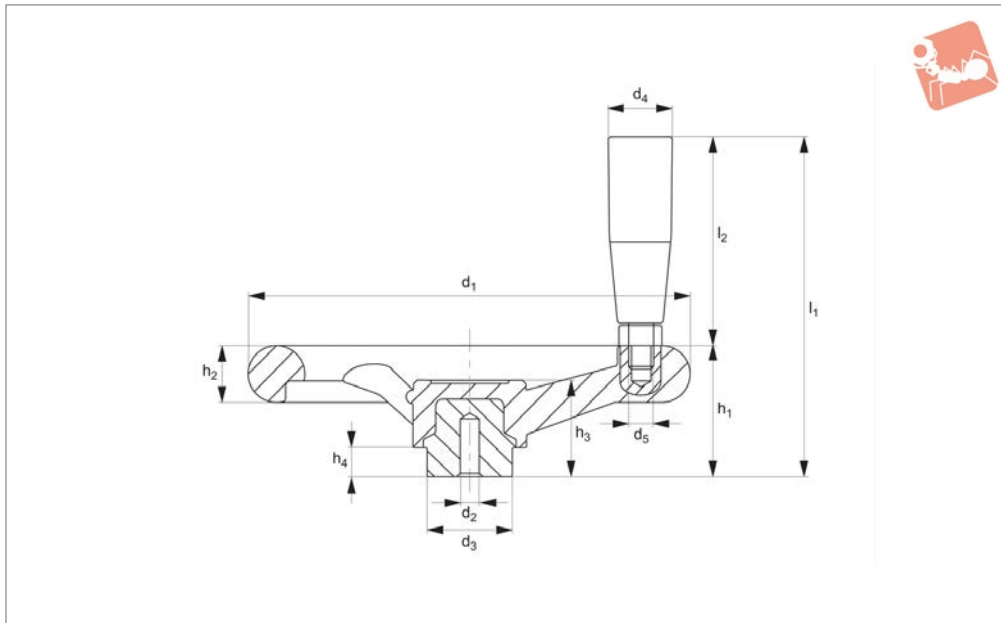
**Order No.**

- 77010.W0100
- 77010.W0125
- 77010.W0150
- 77010.W0175
- 77010.W0200
- 77010.W0250
- 77010.W0300
- 77010.W0500
- 77010.W0525
- 77010.W0550
- 77010.W0575
- 77010.W0700
- 77010.W0750
- 77010.W0800





# Three Spoked Handwheels with rotating grip



**77030**

HANDWHEELS

**Material**

**Standard:** Duroplast, black. Zinc plated steel hub. Revolving handle.

**Reinforced:** Duroplast with glass fibre

beads for increased strength, black zinc plated steel auto-revolving handle.

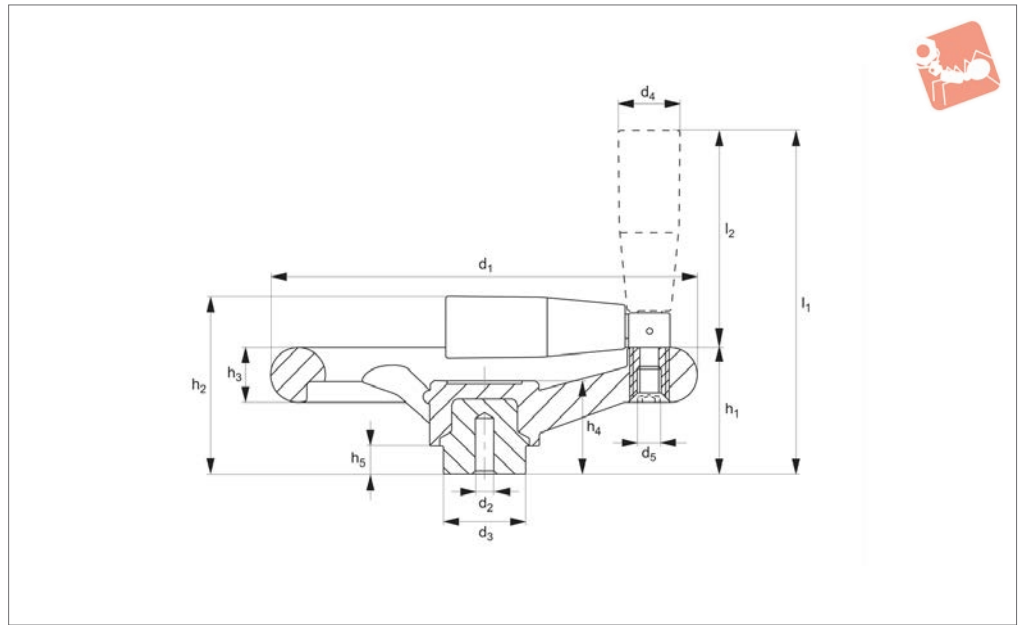
**Technical Notes**

The pilot hole allows various sizes of holes, keyways etc. to be machined into the hub. Corresponding rotating handle 75100.

Order No.	Type	d <sub>1</sub>	d <sub>2</sub>	d <sub>3</sub>	l <sub>1</sub>	l <sub>2</sub>	h <sub>1</sub>	h <sub>2</sub>	h <sub>3</sub>	h <sub>4</sub>	d <sub>4</sub>	d <sub>5</sub>	Weight g
77030.W0100	Standard	100	4	24	85	40	40	15	34	11	17	M 8	189
77030.W0125	Standard	125	6	24	107	55	46	17	37	13	23	M 8	300
77030.W0150	Standard	150	6	32	120	65	49	20	38	13	25	M10	470
77030.W0175	Standard	175	6	40	127	65	56	22	42	16	25	M10	695
77030.W0200	Standard	200	8	40	153	85	61	24	45	16	28	M10	880
77030.W0250	Standard	250	10	48	164	85	72	28	50	17	28	M10	1335
77030.W0300	Standard	300	10	58	170	85	78	34	56	18	28	M10	2165
77030.W0500	Reinforced	100	4	24	85	40	40	15	34	11	17	M 8	191
77030.W0525	Reinforced	125	6	24	107	55	46	17	37	13	23	M 8	309
77030.W0550	Reinforced	150	6	32	120	65	49	20	38	13	25	M10	484
77030.W0575	Reinforced	175	6	40	127	65	56	22	42	16	25	M10	694
77030.W0700	Reinforced	200	8	40	153	85	61	24	45	16	28	M10	897
77030.W0750	Reinforced	250	10	48	164	85	72	28	50	17	28	M10	1367
77030.W0800	Reinforced	300	10	58	170	85	78	34	56	18	28	M10	2130



**77040**



**Material**

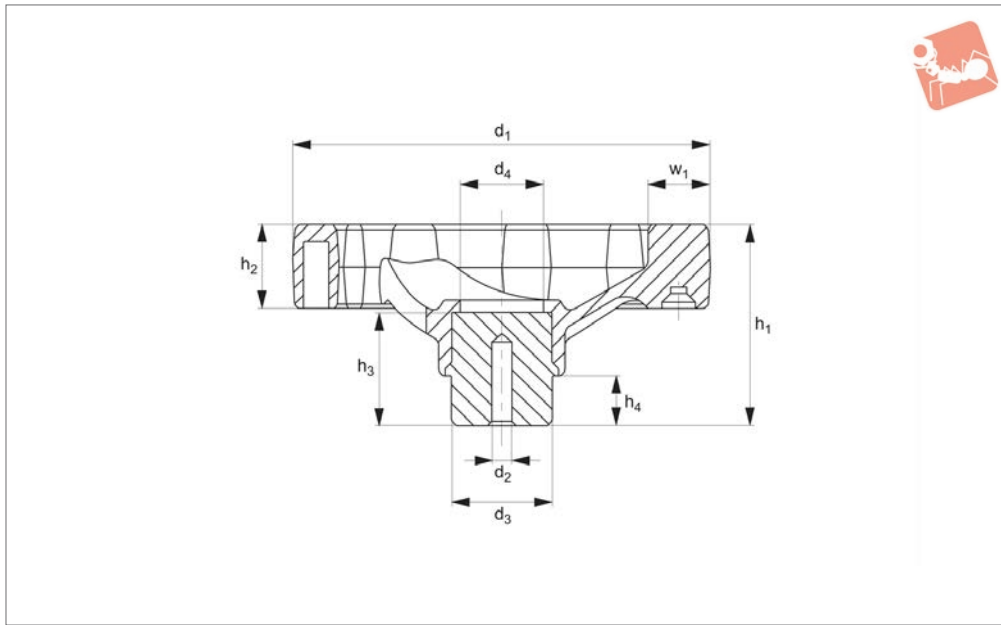
Duroplast, black. Zinc plated steel hub.  
With fold-away revolving grip.

**Technical Notes**

The pilot hole allows various sizes of holes,  
keyways etc. to be machined into the hub.

Corresponding rotating handle 75150.

Order No.	d <sub>1</sub>	d <sub>2</sub>	d <sub>3</sub>	l <sub>1</sub>	l <sub>2</sub>	h <sub>1</sub>	h <sub>2</sub>	h <sub>3</sub>	h <sub>4</sub>	h <sub>5</sub>	d <sub>4</sub>	d <sub>5</sub>	Weight g
77040.W0125	125	6	24	118	55	46	66	17	37	13	23	M 5	322
77040.W0150	150	6	32	131	65	49	70	20	38	13	25	M 6	487
77040.W0175	175	6	40	138	65	56	77	22	42	16	25	M 6	698
77040.W0200	200	6	40	166	85	61	85	24	45	16	28	M 6	910
77040.W0250	250	8	48	177	85	72	96	28	50	17	28	M 6	1380
77040.W0300	300	8	58	183	85	78	102	34	56	18	28	M 6	2142



**77060**

HANDWHEELS

### Material

Black, matt, thermoplastic, with zinc plated steel hub.

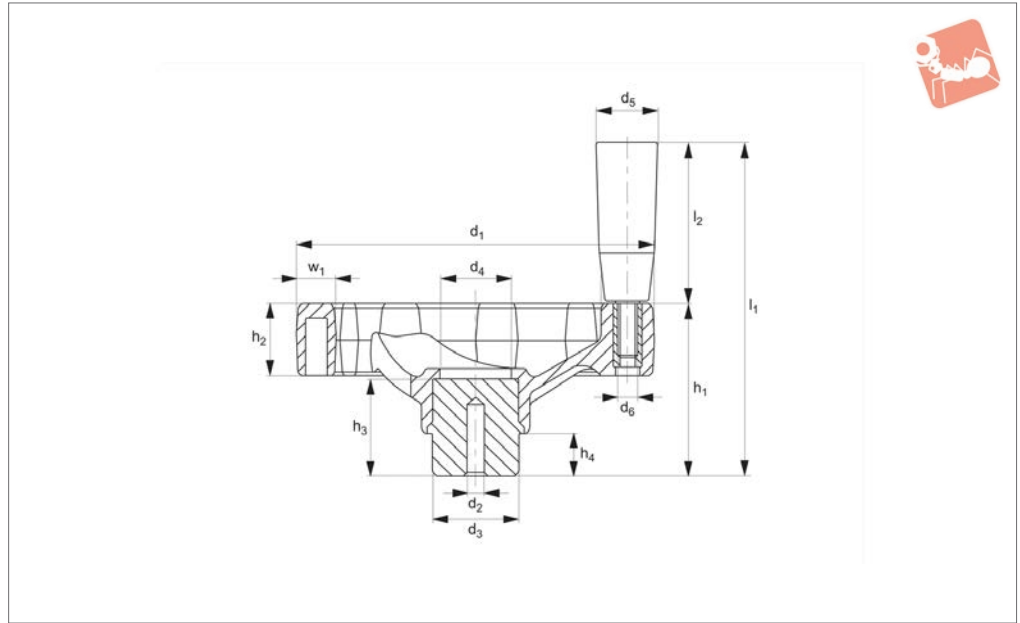
### Technical Notes

The pilot hole allows various sizes of holes, keyways etc. to be machined into the hub.

Order No.	d <sub>1</sub>	d <sub>2</sub>	d <sub>3</sub>	h <sub>1</sub>	h <sub>2</sub>	h <sub>3</sub>	h <sub>4</sub>	d <sub>4</sub>	w <sub>1</sub>	Weight g
<b>77060.W0100</b>	100	4	24	46	20	24	12	18	15	150
<b>77060.W0125</b>	125	6	24	51	24	28	12	20	17	241
<b>77060.W0160</b>	160	6	32	61	28	31	15	30	20	444
<b>77060.W0200</b>	200	6	40	74	32	40	15	35	24	834



**77070**



**Material**

Thermoplastic, black, matt. Zinc plated steel hub. Revolving handle.

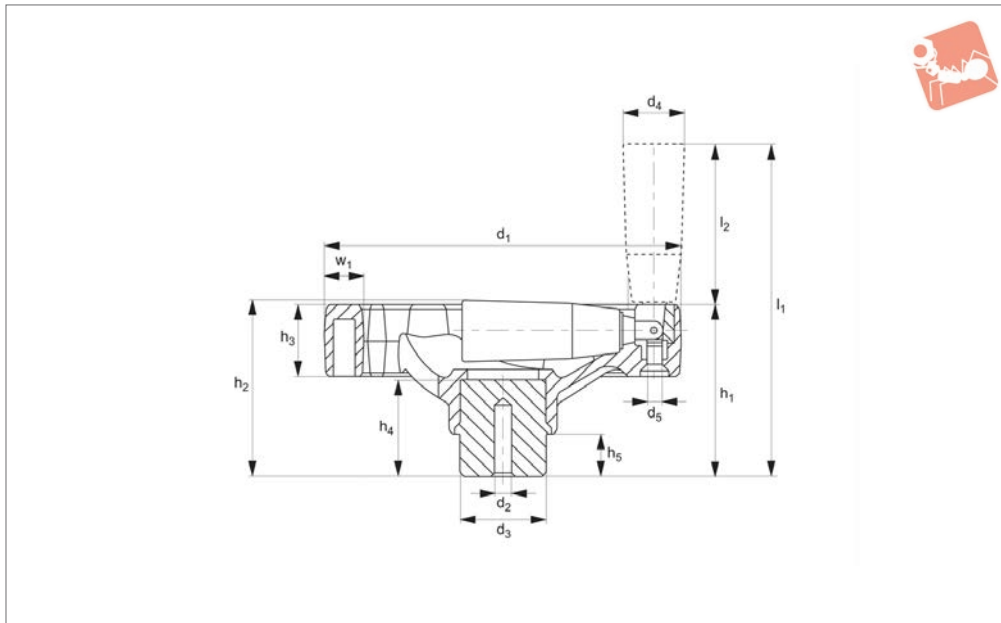
**Technical Notes**

The pilot hole allows various sizes of holes, keyways etc. to be machined into the hub.

Order No.	d <sub>1</sub>	d <sub>2</sub>	d <sub>3</sub>	l <sub>1</sub>	l <sub>2</sub>	h <sub>1</sub>	h <sub>2</sub>	h <sub>3</sub>	h <sub>4</sub>	d <sub>4</sub>	d <sub>5</sub>	d <sub>6</sub>	w <sub>1</sub>	Weight g
77070.W0100	100	4	24	96	50	46	20	24	12	18	21	M 6	15	192
77070.W0125	125	6	24	101	50	51	24	28	12	20	21	M 6	17	261
77070.W0160	160	6	32	131	70	61	28	31	15	30	23	M 8	20	484
77070.W0200	200	6	40	164	90	74	32	40	15	35	26	M10	24	906



# Three Spoked Handwheels with fold-away rotating grip



**77080**

HANDWHEELS

### Material

Thermoplastic, black, matt. Zinc plated steel hub. Fold-away revolving handle.

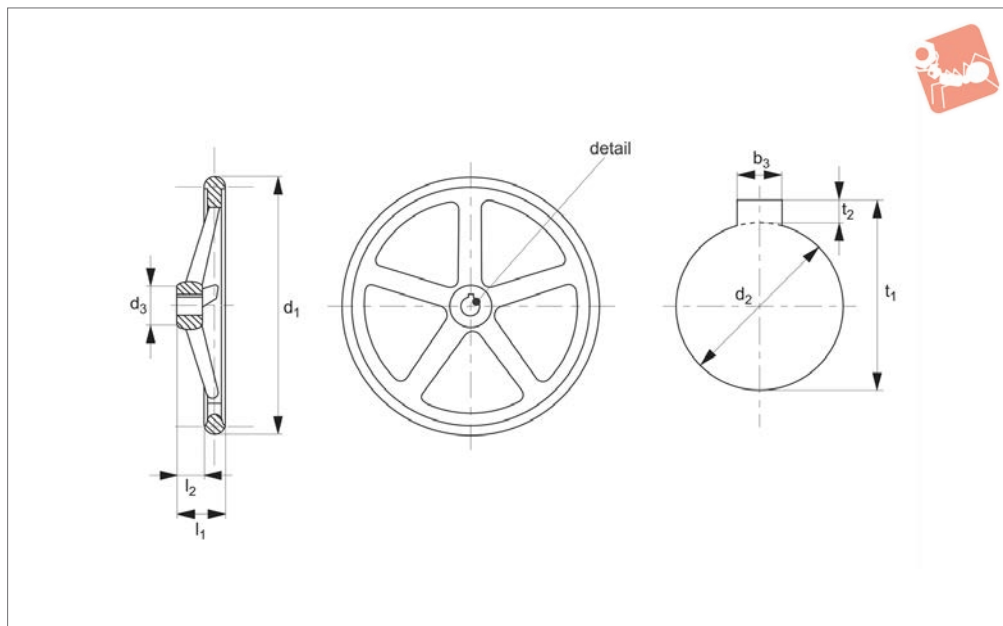
### Technical Notes

The pilot hole allows various sizes of holes, keyways etc. to be machined into the hub.

Order No.	d <sub>1</sub>	d <sub>2</sub>	d <sub>3</sub>	l <sub>1</sub>	l <sub>2</sub>	h <sub>1</sub>	h <sub>2</sub>	h <sub>3</sub>	h <sub>4</sub>	h <sub>5</sub>	d <sub>4</sub>	d <sub>5</sub>	w <sub>1</sub>	Weight g
<b>77080.W0100</b>	100	4	24	100	54	46	50	20	24	12	21	M 4	15	205
<b>77080.W0125</b>	125	6	24	105	54	51	54	24	28	12	21	M 4	17	277
<b>77080.W0160</b>	160	6	32	135	74	61	65	28	31	15	23	M 5	20	503
<b>77080.W0200</b>	200	6	40	168	94	74	79	32	40	15	26	M 6	24	935



**77100**



**Material**

Handwheel: Grey cast iron GG.  
Hub machined; rim turned and mirror-finished on all sides, non-machined

surfaces cleanly blasted.

**Technical Notes**

Produced to DIN 950.

There are gripping indentations on the rear sides.

**For keyways information (dim.  $t_1$  and  $b_3$ ) to DIN 6885.**

Order No.	Type	Bore dia.	$d_1$	$d_2$ tol. H7 Small	$d_2$ tol. H7 Large	$d_3$	$l_1$ ≈	$l_2$	No. of spokes	Corresp. handle dia.	Weight g
77100.W0000	W/o Keyway, W/o Handle	$d_2$ Small	80	10	12	24	29	16	3		311
77100.W0001	W/o Keyway, W/o Handle	$d_2$ Large	80	10	12	24	29	16	3		311
77100.W0005	W/o Keyway, W/o Handle	$d_2$ Small	100	10	12	26	33	17	3		486
77100.W0006	W/o Keyway, W/o Handle	$d_2$ Large	100	10	12	26	33	17	3		486
77100.W0010	W/o Keyway, W/o Handle	$d_2$ Small	125	12	14	28	36	18	3		720
77100.W0011	W/o Keyway, W/o Handle	$d_2$ Large	125	12	14	28	36	18	3		720
77100.W0015	W/o Keyway, W/o Handle	$d_2$ Small	140	14	16	30	39	19	3		879
77100.W0016	W/o Keyway, W/o Handle	$d_2$ Large	140	14	16	30	39	19	3		879
77100.W0020	W/o Keyway, W/o Handle	$d_2$ Small	160	14	16	32	40	20	3		1151
77100.W0021	W/o Keyway, W/o Handle	$d_2$ Large	160	14	16	32	40	20	3		1151
77100.W0030	W/o Keyway, W/o Handle	$d_2$ Small	200	18	22	38	45	24	3		2218
77100.W0031	W/o Keyway, W/o Handle	$d_2$ Large	200	18	22	38	45	24	3		2218
77100.W0040	W/o Keyway, W/o Handle	$d_2$ Small	250	22	26	45	50	28	5		3735
77100.W0041	W/o Keyway, W/o Handle	$d_2$ Large	250	22	26	45	50	28	5		3735
77100.W0045	W/o Keyway, W/o Handle	$d_2$ Small	315	26	30	53	56	33	5		6180
77100.W0046	W/o Keyway, W/o Handle	$d_2$ Large	315	26	30	53	56	33	5		6180
77100.W0050	W/o Keyway, W/o Handle	$d_2$ Small	400	30	34	65	63	38	5		9500
77100.W0051	W/o Keyway, W/o Handle	$d_2$ Large	400	30	34	65	63	38	5		9500
77100.W0100	With Keyway, W/o Handle	$d_2$ Small	80	10	12	24	29	16	3		360
77100.W0101	With Keyway, W/o Handle	$d_2$ Large	80	10	12	24	29	16	3		360
77100.W0105	With Keyway, W/o Handle	$d_2$ Small	100	10	12	26	33	17	3		500
77100.W0106	With Keyway, W/o Handle	$d_2$ Large	100	10	12	26	33	17	3		500
77100.W0110	With Keyway, W/o Handle	$d_2$ Small	125	12	14	28	36	18	3		750
77100.W0111	With Keyway, W/o Handle	$d_2$ Large	125	12	14	28	36	18	3		750
77100.W0115	With Keyway, W/o Handle	$d_2$ Small	140	14	16	30	39	19	3		902
77100.W0116	With Keyway, W/o Handle	$d_2$ Large	140	14	16	30	39	19	3		902
77100.W0120	With Keyway, W/o Handle	$d_2$ Small	160	14	16	32	40	20	3		1139
77100.W0121	With Keyway, W/o Handle	$d_2$ Large	160	14	16	32	40	20	3		1139
77100.W0130	With Keyway, W/o Handle	$d_2$ Small	200	18	22	38	45	24	3		2142
77100.W0131	With Keyway, W/o Handle	$d_2$ Large	200	18	22	38	45	24	3		2142
77100.W0140	With Keyway, W/o Handle	$d_2$ Small	250	22	26	45	50	28	5		3652
77100.W0141	With Keyway, W/o Handle	$d_2$ Large	250	22	26	45	50	28	5		3652
77100.W0145	With Keyway, W/o Handle	$d_2$ Small	315	26	30	53	56	33	5		5800

# Cast Iron Handwheels



## Handwheels

Order No.	Type	Bore dia.	d <sub>1</sub>	d <sub>2</sub> tol. H7 Small	d <sub>2</sub> tol. H7 Large	d <sub>3</sub>	l <sub>1</sub> ≈	l <sub>2</sub>	No. of spokes	Corresp. handle dia.	Weight g
77100.W0146	With Keyway, W/o Handle	d <sub>2</sub> Large	315	26	30	53	56	33	5		5800
77100.W0150	With Keyway, W/o Handle	d <sub>2</sub> Small	400	30	34	65	63	38	5		9500
77100.W0151	With Keyway, W/o Handle	d <sub>2</sub> Large	400	30	34	65	63	38	5		9500
77100.W0200	W/o Keyway, Rotating Handle	d <sub>2</sub> Small	80	10	12	24	29	16	3	16	410
77100.W0201	W/o Keyway, Rotating Handle	d <sub>2</sub> Large	80	10	12	24	29	16	3	16	410
77100.W0205	W/o Keyway, Rotating Handle	d <sub>2</sub> Small	100	10	12	26	33	17	3	16	550
77100.W0206	W/o Keyway, Rotating Handle	d <sub>2</sub> Large	100	10	12	26	33	17	3	16	550
77100.W0210	W/o Keyway, Rotating Handle	d <sub>2</sub> Small	125	12	14	28	36	18	3	20	850
77100.W0211	W/o Keyway, Rotating Handle	d <sub>2</sub> Large	125	12	14	28	36	18	3	20	850
77100.W0215	W/o Keyway, Rotating Handle	d <sub>2</sub> Small	140	14	16	30	39	19	3	20	1040
77100.W0216	W/o Keyway, Rotating Handle	d <sub>2</sub> Large	140	14	16	30	39	19	3	20	1040
77100.W0220	W/o Keyway, Rotating Handle	d <sub>2</sub> Small	160	14	16	32	40	20	3	25	1390
77100.W0221	W/o Keyway, Rotating Handle	d <sub>2</sub> Large	160	14	16	32	40	20	3	25	1390
77100.W0230	W/o Keyway, Rotating Handle	d <sub>2</sub> Small	200	18	22	38	45	24	3	25	2190
77100.W0231	W/o Keyway, Rotating Handle	d <sub>2</sub> Large	200	18	22	38	45	24	3	25	2190
77100.W0240	W/o Keyway, Rotating Handle	d <sub>2</sub> Small	250	22	26	45	50	28	5	32	4185
77100.W0241	W/o Keyway, Rotating Handle	d <sub>2</sub> Large	250	22	26	45	50	28	5	32	4185
77100.W0245	W/o Keyway, Rotating Handle	d <sub>2</sub> Small	315	26	30	53	56	33	5	32	6185
77100.W0246	W/o Keyway, Rotating Handle	d <sub>2</sub> Large	315	26	30	53	56	33	5	32	6185
77100.W0250	W/o Keyway, Rotating Handle	d <sub>2</sub> Small	400	30	34	65	63	38	5	36	10500
77100.W0251	W/o Keyway, Rotating Handle	d <sub>2</sub> Large	400	30	34	65	63	38	5	36	10500
77100.W0300	With Keyway, Rotating Handle	d <sub>2</sub> Small	80	10	12	24	29	16	3	16	410
77100.W0301	With Keyway, Rotating Handle	d <sub>2</sub> Large	80	10	12	24	29	16	3	16	410
77100.W0305	With Keyway, Rotating Handle	d <sub>2</sub> Small	100	10	12	26	33	17	3	16	550
77100.W0306	With Keyway, Rotating Handle	d <sub>2</sub> Large	100	10	12	26	33	17	3	16	550
77100.W0310	With Keyway, Rotating Handle	d <sub>2</sub> Small	125	12	14	28	36	18	3	20	850
77100.W0311	With Keyway, Rotating Handle	d <sub>2</sub> Large	125	12	14	28	36	18	3	20	850
77100.W0315	With Keyway, Rotating Handle	d <sub>2</sub> Small	140	14	16	30	39	19	3	20	1040
77100.W0316	With Keyway, Rotating Handle	d <sub>2</sub> Large	140	14	16	30	39	19	3	20	1040
77100.W0320	With Keyway, Rotating Handle	d <sub>2</sub> Small	160	14	16	32	40	20	3	25	1390
77100.W0321	With Keyway, Rotating Handle	d <sub>2</sub> Large	160	14	16	32	40	20	3	25	1390
77100.W0330	With Keyway, Rotating Handle	d <sub>2</sub> Small	200	18	22	38	45	24	3	25	2190
77100.W0331	With Keyway, Rotating Handle	d <sub>2</sub> Large	200	18	22	38	45	24	3	25	2190
77100.W0340	With Keyway, Rotating Handle	d <sub>2</sub> Small	250	22	26	45	50	28	5	32	4185
77100.W0341	With Keyway, Rotating Handle	d <sub>2</sub> Large	250	22	26	45	50	28	5	32	4185
77100.W0345	With Keyway, Rotating Handle	d <sub>2</sub> Small	315	26	30	53	56	33	5	32	6185
77100.W0346	With Keyway, Rotating Handle	d <sub>2</sub> Large	315	26	30	53	56	33	5	32	6185
77100.W0350	With Keyway, Rotating Handle	d <sub>2</sub> Small	400	30	34	65	63	38	5	36	10500
77100.W0351	With Keyway, Rotating Handle	d <sub>2</sub> Large	400	30	34	65	63	38	5	36	10500
77100.W0400	W/o Keyway, Fixed Handle	d <sub>2</sub> Small	80	10	12	24	29	16	3	16	410
77100.W0401	W/o Keyway, Fixed Handle	d <sub>2</sub> Large	80	10	12	24	29	16	3	16	410
77100.W0410	W/o Keyway, Fixed Handle	d <sub>2</sub> Small	125	10	12	28	36	18	3	20	835
77100.W0411	W/o Keyway, Fixed Handle	d <sub>2</sub> Large	125	10	12	28	36	18	3	20	835
77100.W0415	W/o Keyway, Fixed Handle	d <sub>2</sub> Small	140	12	14	30	39	19	3	20	1025
77100.W0416	W/o Keyway, Fixed Handle	d <sub>2</sub> Large	140	12	14	30	39	19	3	20	1025
77100.W0420	W/o Keyway, Fixed Handle	d <sub>2</sub> Small	160	14	16	32	40	20	3	25	1380
77100.W0421	W/o Keyway, Fixed Handle	d <sub>2</sub> Large	160	14	16	32	40	20	3	25	1380
77100.W0430	W/o Keyway, Fixed Handle	d <sub>2</sub> Small	200	14	16	38	45	24	3	25	2180
77100.W0431	W/o Keyway, Fixed Handle	d <sub>2</sub> Large	200	14	16	38	45	24	3	25	2180
77100.W0440	W/o Keyway, Fixed Handle	d <sub>2</sub> Small	250	18	22	45	50	28	5	32	4160
77100.W0441	W/o Keyway, Fixed Handle	d <sub>2</sub> Large	250	18	22	45	50	28	5	32	4160
77100.W0445	W/o Keyway, Fixed Handle	d <sub>2</sub> Small	315	22	26	53	56	33	5	32	6160
77100.W0446	W/o Keyway, Fixed Handle	d <sub>2</sub> Large	315	22	26	53	56	33	5	32	6160
77100.W0450	W/o Keyway, Fixed Handle	d <sub>2</sub> Small	400	26	30	65	63	38	5	36	10460
77100.W0451	W/o Keyway, Fixed Handle	d <sub>2</sub> Large	400	26	30	65	63	38	5	36	10460
77100.W0500	With Keyway, Fixed Handle	d <sub>2</sub> Small	80	30	34	24	29	16	3	16	410
77100.W0501	With Keyway, Fixed Handle	d <sub>2</sub> Large	80	30	34	24	29	16	3	16	410
77100.W0505	With Keyway, Fixed Handle	d <sub>2</sub> Small	100	10	12	26	33	17	3	16	550
77100.W0506	With Keyway, Fixed Handle	d <sub>2</sub> Large	100	10	12	26	33	17	3	16	550
77100.W0510	With Keyway, Fixed Handle	d <sub>2</sub> Small	125	10	12	28	36	18	3	20	835
77100.W0511	With Keyway, Fixed Handle	d <sub>2</sub> Large	125	10	12	28	36	18	3	20	835
77100.W0515	With Keyway, Fixed Handle	d <sub>2</sub> Small	140	12	14	30	39	19	3	20	1025
77100.W0516	With Keyway, Fixed Handle	d <sub>2</sub> Large	140	12	14	30	39	19	3	20	1025
77100.W0520	With Keyway, Fixed Handle	d <sub>2</sub> Small	160	14	16	32	40	20	3	25	1380
77100.W0521	With Keyway, Fixed Handle	d <sub>2</sub> Large	160	14	16	32	40	20	3	25	1380
77100.W0530	With Keyway, Fixed Handle	d <sub>2</sub> Small	200	18	22	38	45	24	3	25	2180
77100.W0531	With Keyway, Fixed Handle	d <sub>2</sub> Large	200	18	22	38	45	24	3	25	2180

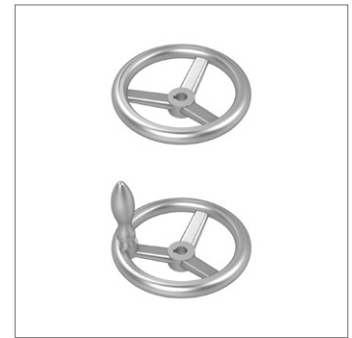
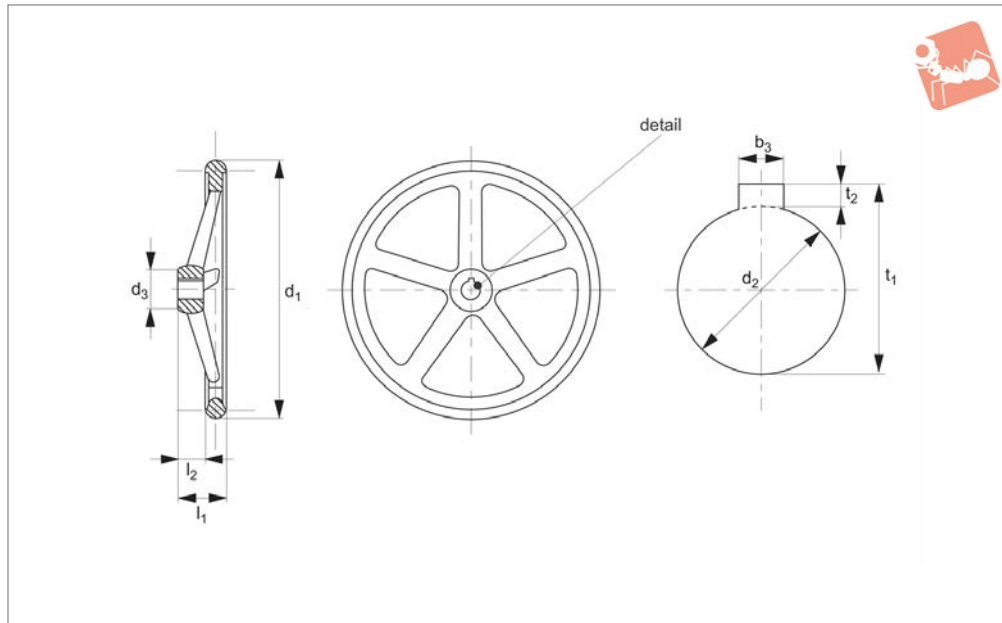
HANDWHEELS





Order No.	Type	Bore dia.	$d_1$	$d_2$ tol. H7 Small	$d_2$ tol. H7 Large	$d_3$	$l_1$ ≈	$l_2$	No. of spokes	Corresp. handle dia.	Weight g
<b>77100.W0540</b>	With Keyway, Fixed Handle	$d_2$ Small	250	22	26	45	50	28	5	32	4160
<b>77100.W0541</b>	With Keyway, Fixed Handle	$d_2$ Large	250	22	26	45	50	28	5	32	4160
<b>77100.W0545</b>	With Keyway, Fixed Handle	$d_2$ Small	315	26	30	53	56	33	5	32	6160
<b>77100.W0546</b>	With Keyway, Fixed Handle	$d_2$ Large	315	26	30	53	56	33	5	32	6160
<b>77100.W0550</b>	With Keyway, Fixed Handle	$d_2$ Small	400	30	34	65	63	38	5	36	10460
<b>77100.W0551</b>	With Keyway, Fixed Handle	$d_2$ Large	400	30	34	65	63	38	5	36	10460





## 77120

HANDWHEELS

### Material

Aluminium, deburred. Hub machined, rim polished. For corresponding handle details

see no. 75060.

### Technical Notes

Produced to DIN 950.

For keyways information (dim.  $t_1$  and  $b_3$ ) to DIN 6885.

Order No.	Type	Bore dia.	$d_1$	$d_2$ tol. H7 Small	$d_2$ tol. H7 Large	$d_3$	$l_1$ ≈	$l_2$	No. of spokes	Corresp. handle dia.	Weight g
77120.W0000	W/o Keyway, W/o Handle	$d_2$ Small	80	10	12	24	29	16	3		92
77120.W0001	W/o Keyway, W/o Handle	$d_2$ Large	80	10	12	24	29	16	3		92
77120.W0005	W/o Keyway, W/o Handle	$d_2$ Small	100	10	12	26	33	17	3		160
77120.W0006	W/o Keyway, W/o Handle	$d_2$ Large	100	10	12	26	33	17	3		160
77120.W0010	W/o Keyway, W/o Handle	$d_2$ Small	125	12	14	28	36	18	3		237
77120.W0011	W/o Keyway, W/o Handle	$d_2$ Large	125	12	14	28	36	18	3		237
77120.W0015	W/o Keyway, W/o Handle	$d_2$ Small	140	14	16	30	39	19	3		295
77120.W0016	W/o Keyway, W/o Handle	$d_2$ Large	140	14	16	30	39	19	3		295
77120.W0020	W/o Keyway, W/o Handle	$d_2$ Small	160	14	16	32	40	20	3		435
77120.W0021	W/o Keyway, W/o Handle	$d_2$ Large	160	14	16	32	40	20	3		435
77120.W0030	W/o Keyway, W/o Handle	$d_2$ Small	200	18	22	38	45	24	3		783
77120.W0031	W/o Keyway, W/o Handle	$d_2$ Large	200	18	22	38	45	24	3		783
77120.W0040	W/o Keyway, W/o Handle	$d_2$ Small	250	22	26	45	50	28	5		1509
77120.W0041	W/o Keyway, W/o Handle	$d_2$ Large	250	22	26	45	50	28	5		1509
77120.W0045	W/o Keyway, W/o Handle	$d_2$ Small	315	26	30	53	56	33	5		2440
77120.W0046	W/o Keyway, W/o Handle	$d_2$ Large	315	26	30	53	56	33	5		2440
77120.W0050	W/o Keyway, W/o Handle	$d_2$ Small	400	30	34	65	63	38	5		3740
77120.W0051	W/o Keyway, W/o Handle	$d_2$ Large	400	30	34	65	63	38	5		3740
77120.W0100	With Keyway, W/o Handle	$d_2$ Small	80	10	12	24	29	16	3		99
77120.W0101	With Keyway, W/o Handle	$d_2$ Large	80	10	12	24	29	16	3		99
77120.W0105	With Keyway, W/o Handle	$d_2$ Small	100	10	12	26	33	17	3		171
77120.W0106	With Keyway, W/o Handle	$d_2$ Large	100	10	12	26	33	17	3		171
77120.W0110	With Keyway, W/o Handle	$d_2$ Small	125	12	14	28	36	18	3		232
77120.W0111	With Keyway, W/o Handle	$d_2$ Large	125	12	14	28	36	18	3		232
77120.W0115	With Keyway, W/o Handle	$d_2$ Small	140	14	16	30	39	19	3		309
77120.W0116	With Keyway, W/o Handle	$d_2$ Large	140	14	16	30	39	19	3		309
77120.W0120	With Keyway, W/o Handle	$d_2$ Small	160	14	16	32	40	20	3		422
77120.W0121	With Keyway, W/o Handle	$d_2$ Large	160	14	16	32	40	20	3		422
77120.W0130	With Keyway, W/o Handle	$d_2$ Small	200	18	22	38	45	24	3		779
77120.W0131	With Keyway, W/o Handle	$d_2$ Large	200	18	22	38	45	24	3		779
77120.W0140	With Keyway, W/o Handle	$d_2$ Small	250	22	26	45	50	28	5		1511
77120.W0141	With Keyway, W/o Handle	$d_2$ Large	250	22	26	45	50	28	5		1511
77120.W0145	With Keyway, W/o Handle	$d_2$ Small	315	26	30	53	56	33	5		2500
77120.W0146	With Keyway, W/o Handle	$d_2$ Large	315	26	30	53	56	33	5		2500



HANDWHEELS

Order No.	Type	Bore dia.	d <sub>1</sub>	d <sub>2</sub> tol. H7 Small	d <sub>2</sub> tol. H7 Large	d <sub>3</sub>	l <sub>1</sub> ≈	l <sub>2</sub>	No. of spokes	Corresp. handle dia.	Weight g
77120.W0150	With Keyway, W/o Handle	d <sub>2</sub> Small	400	30	34	65	63	38	5		3600
77120.W0151	With Keyway, W/o Handle	d <sub>2</sub> Large	400	30	34	65	63	38	5		3600
77120.W0200	W/o Keyway, Rotating Handle	d <sub>2</sub> Small	80	10	12	24	29	16	3	16	150
77120.W0201	W/o Keyway, Rotating Handle	d <sub>2</sub> Large	80	10	12	24	29	16	3	16	150
77120.W0205	W/o Keyway, Rotating Handle	d <sub>2</sub> Small	100	10	12	26	33	17	3	16	210
77120.W0206	W/o Keyway, Rotating Handle	d <sub>2</sub> Large	100	10	12	26	33	17	3	16	210
77120.W0210	W/o Keyway, Rotating Handle	d <sub>2</sub> Small	125	12	14	28	36	18	3	20	340
77120.W0211	W/o Keyway, Rotating Handle	d <sub>2</sub> Large	125	12	14	28	36	18	3	20	340
77120.W0215	W/o Keyway, Rotating Handle	d <sub>2</sub> Small	140	14	16	30	39	19	3	20	430
77120.W0216	W/o Keyway, Rotating Handle	d <sub>2</sub> Large	140	14	16	30	39	19	3	20	430
77120.W0220	W/o Keyway, Rotating Handle	d <sub>2</sub> Small	160	14	16	32	40	20	3	25	615
77120.W0221	W/o Keyway, Rotating Handle	d <sub>2</sub> Large	160	14	16	32	40	20	3	25	615
77120.W0230	W/o Keyway, Rotating Handle	d <sub>2</sub> Small	200	18	22	38	45	24	3	25	970
77120.W0231	W/o Keyway, Rotating Handle	d <sub>2</sub> Large	200	18	22	38	45	24	3	25	970
77120.W0240	W/o Keyway, Rotating Handle	d <sub>2</sub> Small	250	22	26	45	50	28	5	32	1885
77120.W0241	W/o Keyway, Rotating Handle	d <sub>2</sub> Large	250	22	26	45	50	28	5	32	1885
77120.W0245	W/o Keyway, Rotating Handle	d <sub>2</sub> Small	315	26	30	53	56	33	5	32	2885
77120.W0246	W/o Keyway, Rotating Handle	d <sub>2</sub> Large	315	26	30	53	56	33	5	32	2885
77120.W0250	W/o Keyway, Rotating Handle	d <sub>2</sub> Small	400	30	34	65	63	38	5	36	4250
77120.W0251	W/o Keyway, Rotating Handle	d <sub>2</sub> Large	400	30	34	65	63	38	5	36	4250
77120.W0300	With Keyway, Rotating Handle	d <sub>2</sub> Small	80	10	12	24	29	16	3	16	150
77120.W0301	With Keyway, Rotating Handle	d <sub>2</sub> Large	80	10	12	24	29	16	3	16	150
77120.W0305	With Keyway, Rotating Handle	d <sub>2</sub> Small	100	10	12	26	33	17	3	16	210
77120.W0306	With Keyway, Rotating Handle	d <sub>2</sub> Large	100	10	12	26	33	17	3	16	210
77120.W0310	With Keyway, Rotating Handle	d <sub>2</sub> Small	125	12	14	28	36	18	3	20	340
77120.W0311	With Keyway, Rotating Handle	d <sub>2</sub> Large	125	12	14	28	36	18	3	20	340
77120.W0315	With Keyway, Rotating Handle	d <sub>2</sub> Small	140	14	16	30	39	19	3	20	430
77120.W0316	With Keyway, Rotating Handle	d <sub>2</sub> Large	140	14	16	30	39	19	3	20	430
77120.W0320	With Keyway, Rotating Handle	d <sub>2</sub> Small	160	14	16	32	40	20	3	25	615
77120.W0321	With Keyway, Rotating Handle	d <sub>2</sub> Large	160	14	16	32	40	20	3	25	615
77120.W0330	With Keyway, Rotating Handle	d <sub>2</sub> Small	200	18	22	38	45	24	3	25	970
77120.W0331	With Keyway, Rotating Handle	d <sub>2</sub> Large	200	18	22	38	45	24	3	25	970
77120.W0340	With Keyway, Rotating Handle	d <sub>2</sub> Small	250	22	26	45	50	28	5	32	1885
77120.W0341	With Keyway, Rotating Handle	d <sub>2</sub> Large	250	22	26	45	50	28	5	32	1885
77120.W0345	With Keyway, Rotating Handle	d <sub>2</sub> Small	315	26	30	53	56	33	5	32	2885
77120.W0346	With Keyway, Rotating Handle	d <sub>2</sub> Large	315	26	30	53	56	33	5	32	2885
77120.W0350	With Keyway, Rotating Handle	d <sub>2</sub> Small	400	30	34	65	63	38	5	36	4250
77120.W0351	With Keyway, Rotating Handle	d <sub>2</sub> Large	400	30	34	65	63	38	5	36	4250
77120.W0400	W/o Keyway, Fixed Handle	d <sub>2</sub> Small	80	10	12	24	29	16	3	16	150
77120.W0401	W/o Keyway, Fixed Handle	d <sub>2</sub> Large	80	10	12	24	29	16	3	16	150
77120.W0405	W/o Keyway, Fixed Handle	d <sub>2</sub> Small	100	10	12	26	33	17	3	16	210
77120.W0406	W/o Keyway, Fixed Handle	d <sub>2</sub> Large	100	10	12	26	33	17	3	16	210
77120.W0410	W/o Keyway, Fixed Handle	d <sub>2</sub> Small	125	12	14	28	36	18	3	20	340
77120.W0411	W/o Keyway, Fixed Handle	d <sub>2</sub> Large	125	12	14	28	36	18	3	20	340
77120.W0415	W/o Keyway, Fixed Handle	d <sub>2</sub> Small	140	14	16	30	39	19	3	20	420
77120.W0416	W/o Keyway, Fixed Handle	d <sub>2</sub> Large	140	14	16	30	39	19	3	20	420
77120.W0420	W/o Keyway, Fixed Handle	d <sub>2</sub> Small	160	14	16	32	40	20	3	25	615
77120.W0421	W/o Keyway, Fixed Handle	d <sub>2</sub> Large	160	14	16	32	40	20	3	25	615
77120.W0430	W/o Keyway, Fixed Handle	d <sub>2</sub> Small	200	18	22	38	45	24	3	25	970
77120.W0431	W/o Keyway, Fixed Handle	d <sub>2</sub> Large	200	18	22	38	45	24	3	25	970
77120.W0440	W/o Keyway, Fixed Handle	d <sub>2</sub> Small	250	22	26	45	50	28	5	32	1860
77120.W0441	W/o Keyway, Fixed Handle	d <sub>2</sub> Large	250	22	26	45	50	28	5	32	1860
77120.W0445	W/o Keyway, Fixed Handle	d <sub>2</sub> Small	315	26	30	53	56	33	5	32	2860
77120.W0446	W/o Keyway, Fixed Handle	d <sub>2</sub> Large	315	26	30	53	56	33	5	32	2860
77120.W0450	W/o Keyway, Fixed Handle	d <sub>2</sub> Small	400	30	34	65	63	38	5	36	4210
77120.W0451	W/o Keyway, Fixed Handle	d <sub>2</sub> Large	400	30	34	65	63	38	5	36	4210
77120.W0500	With Keyway, Fixed Handle	d <sub>2</sub> Small	80	10	12	24	29	16	3	16	150
77120.W0501	With Keyway, Fixed Handle	d <sub>2</sub> Large	80	10	12	24	29	16	3	16	150
77120.W0505	With Keyway, Fixed Handle	d <sub>2</sub> Small	100	10	12	26	33	17	3	16	210
77120.W0506	With Keyway, Fixed Handle	d <sub>2</sub> Large	100	10	12	26	33	17	3	16	210
77120.W0510	With Keyway, Fixed Handle	d <sub>2</sub> Small	125	12	14	28	36	18	3	20	330
77120.W0511	With Keyway, Fixed Handle	d <sub>2</sub> Large	125	12	14	28	36	18	3	20	330
77120.W0515	With Keyway, Fixed Handle	d <sub>2</sub> Small	140	14	16	30	39	19	3	20	420
77120.W0516	With Keyway, Fixed Handle	d <sub>2</sub> Large	140	14	16	30	39	19	3	20	420
77120.W0520	With Keyway, Fixed Handle	d <sub>2</sub> Small	160	14	16	32	40	20	3	25	610
77120.W0521	With Keyway, Fixed Handle	d <sub>2</sub> Large	160	14	16	32	40	20	3	25	610
77120.W0530	With Keyway, Fixed Handle	d <sub>2</sub> Small	200	18	22	38	45	24	3	25	960



# Aluminium Handwheels



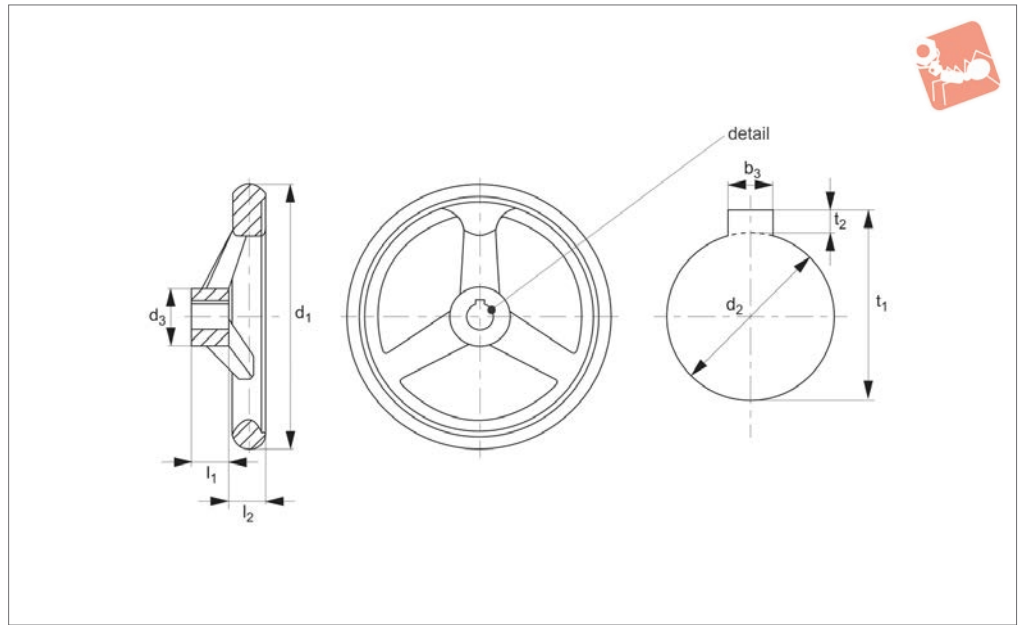
## Handwheels

Order No.	Type	Bore dia.	d <sub>1</sub>	d <sub>2</sub> tol. H7 Small	d <sub>2</sub> tol. H7 Large	d <sub>3</sub>	l <sub>1</sub> ≈	l <sub>2</sub>	No. of spokes	Corresp. handle dia.	Weight g
<b>77120.W0531</b>	With Keyway, Fixed Handle	d <sub>2</sub> Large	200	18	22	38	45	24	3	25	960
<b>77120.W0540</b>	With Keyway, Fixed Handle	d <sub>2</sub> Small	250	22	26	45	50	28	5	32	1860
<b>77120.W0541</b>	With Keyway, Fixed Handle	d <sub>2</sub> Large	250	22	26	45	50	28	5	32	1860
<b>77120.W0545</b>	With Keyway, Fixed Handle	d <sub>2</sub> Small	315	26	30	53	56	33	5	32	2860
<b>77120.W0546</b>	With Keyway, Fixed Handle	d <sub>2</sub> Large	315	26	30	53	56	33	5	32	2860
<b>77120.W0550</b>	With Keyway, Fixed Handle	d <sub>2</sub> Small	400	30	34	65	65	38	5	36	4210
<b>77120.W0551</b>	With Keyway, Fixed Handle	d <sub>2</sub> Large	400	30	34	65	65	38	5	36	4210

HANDWHEELS



### 77140



#### Material

Stainless steel, deburred.  
Hub machined; rim turned and mirror-finished on all sides, non-machined

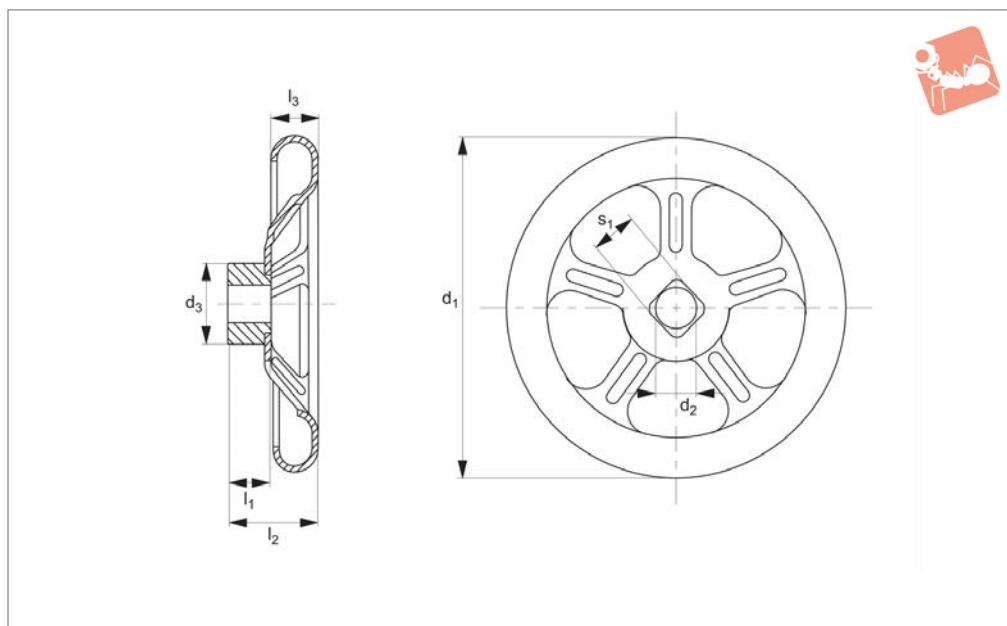
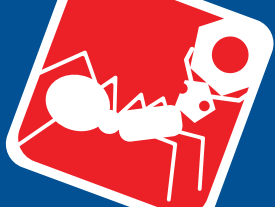
surfaces cleanly blasted.

to DIN 6885.

#### Technical Notes

For keyways information (dim.  $t_1$  and  $b_3$ )

Order No.	Finish	$d_1$	$d_2$ tol. h9	$d_3$	$l_1$	$l_2$	No. of spokes	Machine handles dia.	Weight g
77140.W0005	W/o Keyway, W/o Handle	100	10	25.5	17	14.5	3	-	431
77140.W0010	W/o Keyway, W/o Handle	125	12	27.0	18	15.8	3	-	655
77140.W0015	W/o Keyway, W/o Handle	140	14	29.0	19	17.0	3	-	851
77140.W0020	W/o Keyway, W/o Handle	160	14	27.0	18	17.5	3	-	1112
77140.W0030	W/o Keyway, W/o Handle	200	18	37.0	24	20.0	3	-	1877
77140.W0105	With Keyway, W/o Handle	100	10	25.5	17	14.5	3	-	434
77140.W0110	With Keyway, W/o Handle	125	12	27.0	18	15.8	3	-	854
77140.W0115	With Keyway, W/o Handle	140	14	29.0	19	17.0	3	-	854
77140.W0120	With Keyway, W/o Handle	160	14	31.0	20	17.5	3	-	1115
77140.W0130	With Keyway, W/o Handle	200	18	37.0	24	20.0	3	-	1882
77140.W0405	W/o Keyway, With Handle	100	10	25.5	17	14.5	3	16	472
77140.W0410	W/o Keyway, With Handle	125	12	27.0	18	15.8	3	20	748
77140.W0415	W/o Keyway, With Handle	140	14	29.0	19	17.0	3	20	939
77140.W0420	W/o Keyway, With Handle	160	14	31.0	20	17.5	3	25	1273
77140.W0430	W/o Keyway, With Handle	200	18	37.0	24	20.0	3	25	2044
77140.W0505	With Keyway, With Handle	100	10	25.5	17	14.5	3	16	473
77140.W0510	With Keyway, With Handle	125	12	27.0	18	15.8	3	20	753
77140.W0515	With Keyway, With Handle	140	14	29.0	19	17.0	3	20	939
77140.W0520	With Keyway, With Handle	160	14	31.0	20	17.5	3	25	1282
77140.W0530	With Keyway, With Handle	200	18	37.0	24	20.0	3	25	2049



77420

HANDWHEELS

**Material**

Pressed steel, plastic coated.  
Black - RAL9005.

**Technical Notes**

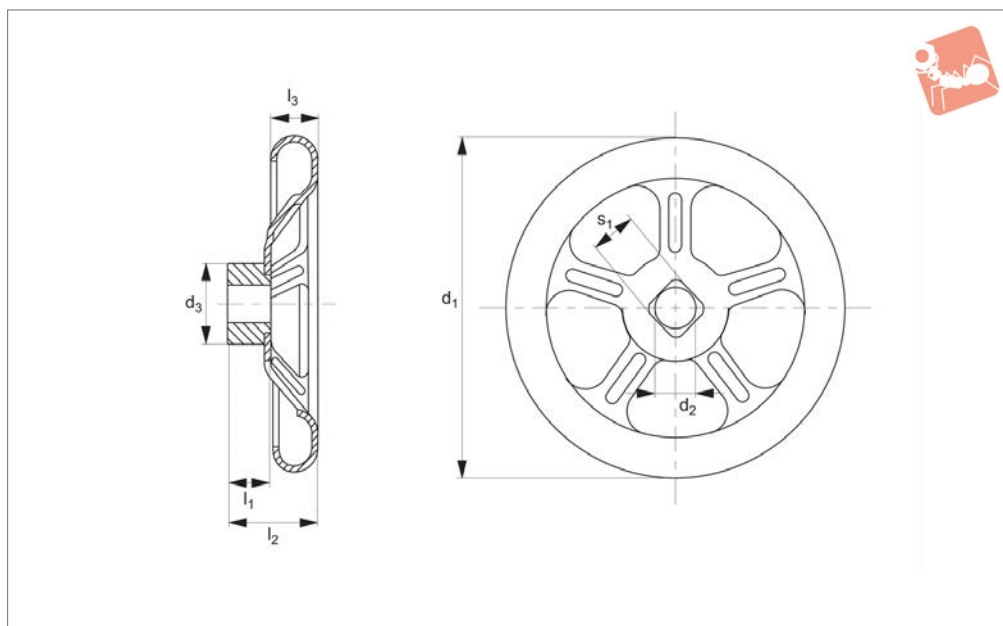
This plastic coated handwheel is resistant to shock and impacts, is well designed and

cost effective.

Order No.	Bore dia.	d <sub>1</sub>	d <sub>2</sub> round tol. H9	d <sub>3</sub>	l <sub>1</sub>	l <sub>2</sub> ≈	l <sub>3</sub>	No. of spokes	s <sub>1</sub> square tol. H11	Weight g
77420.W0010	Round	125	B11	30	18	29	18	3	V11	300
77420.W0012	Round	160	B12	30	20	37	22	4	V12	400
77420.W0014	Round	200	B14	40	24	46	22	4	V14	800
77420.W0017	Round	250	B17	45	28	52	30	5	V17	1400
77420.W0019	Round	315	B19	55	33	64	35	5	V19	2300
77420.W0021	Round	400	B24	65	38	82	40	5	V24	9140
77420.W0110	Square	125	B11	30	18	29	18	3	V11	300
77420.W0112	Square	160	B12	30	20	37	22	4	V12	400
77420.W0114	Square	200	B14	40	24	46	22	4	V14	800
77420.W0117	Square	250	B17	45	28	52	30	5	V17	1400
77420.W0119	Square	315	B19	55	33	64	35	5	V19	2300
77420.W0121	Square	400	B24	65	38	82	40	5	V24	9140



## 77430



### Material

Stainless steel 1.4301 (AISI 303), pressed.  
Hub welded. Matte shot-blasted.

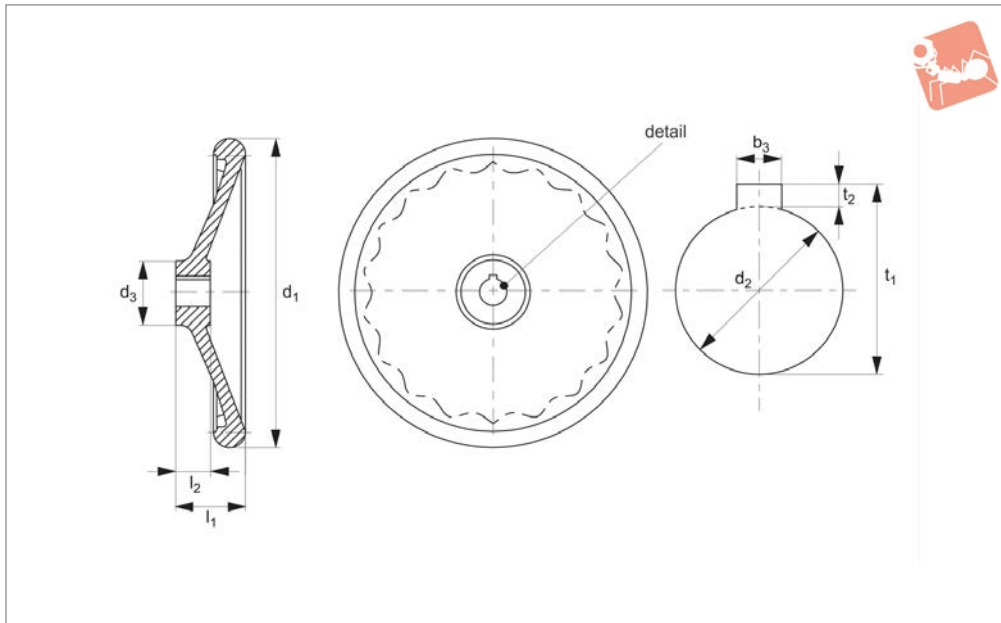
Order No.	Bore dia.	d <sub>1</sub>	d <sub>2</sub> round tol. H9	d <sub>3</sub>	l <sub>1</sub>	l <sub>2</sub> ≈	l <sub>3</sub>	No. of spokes	s <sub>1</sub> square tol. H11	Weight g
<a href="#">77430.W0012</a>	Round	160	B12	30	20	39	22	4	V12	430
<a href="#">77430.W0014</a>	Round	200	B14	40	24	44	22	4	V14	824
<a href="#">77430.W0017</a>	Round	250	B17	45	28	52	30	5	V17	1477
<a href="#">77430.W0112</a>	Square	160	B12	30	20	39	22	4	V12	430
<a href="#">77430.W0114</a>	Square	200	B14	40	24	44	22	4	V14	824
<a href="#">77430.W0117</a>	Square	250	B17	45	28	52	30	5	V17	1477





# Disc Type Handwheels

DIN 3670



**77200**

HANDWHEELS

### Material

Hub machined; rim turned and mirror-finished on all sides, non-machined surfaces cleanly blasted.

Aluminium permanent-mould casting.

### Technical Notes

There are gripping indentations on the rear

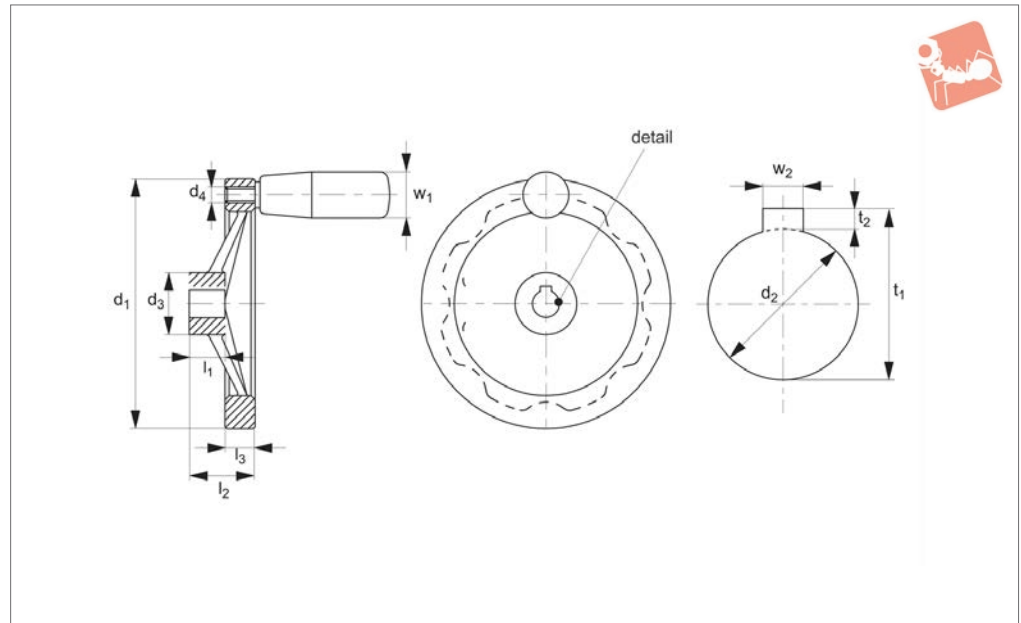
sides.

**For keyways information (dim.  $t_1$  and  $b_3$ ) to DIN 6885.**

Order No.	Type	$d_1$	$d_2$ tol. H7	$d_3$	$l_1$ ≈	$l_2$	$b_3$	$t$	Weight g
77200.W0103	Without Keyway	80	10	26	29	16	-	-	119
77200.W0104	Without Keyway	80	12	26	29	16	-	-	116
77200.W0105	Without Keyway	100	10	28	33	17	-	-	194
77200.W0106	Without Keyway	100	12	28	33	17	-	-	194
77200.W0110	Without Keyway	125	12	31	36	18	-	-	288
77200.W0111	Without Keyway	125	14	31	36	18	-	-	288
77200.W0120	Without Keyway	160	14	36	40	20	-	-	477
77200.W0121	Without Keyway	160	16	36	40	20	-	-	477
77200.W0130	Without Keyway	200	18	42	45	24	-	-	955
77200.W0131	Without Keyway	200	22	42	45	24	-	-	955
77200.W0140	Without Keyway	250	22	48	50	28	-	-	1685
77200.W0141	Without Keyway	250	26	48	50	28	-	-	1685
77200.W0150	Without Keyway	315	26	56	56	33	-	-	2710
77200.W0151	Without Keyway	315	28	56	56	33	-	-	2700
77200.W0160	Without Keyway	400	30	65	63	38	-	-	4720
77200.W0161	Without Keyway	400	32	65	63	38	-	-	4660
77200.W0303	With Keyway	80	10	26	29	16	3	11.4	120
77200.W0304	With Keyway	80	12	26	29	16	4	13.8	129
77200.W0305	With Keyway	100	10	28	33	17	3	11.4	190
77200.W0306	With Keyway	100	12	28	33	17	4	13.8	190
77200.W0310	With Keyway	125	12	31	36	18	4	13.8	250
77200.W0311	With Keyway	125	14	31	36	18	5	16.3	250
77200.W0320	With Keyway	160	14	36	40	20	5	16.3	491
77200.W0321	With Keyway	160	16	36	40	20	5	18.3	491
77200.W0330	With Keyway	200	18	42	45	24	6	20.8	933
77200.W0331	With Keyway	200	22	42	45	24	6	24.8	933
77200.W0340	With Keyway	250	22	48	50	28	6	24.8	1662
77200.W0341	With Keyway	250	26	48	50	28	8	29.3	1662
77200.W0350	With Keyway	315	26	56	56	33	8	29.3	2700
77200.W0351	With Keyway	315	28	56	56	33	8	31.3	2670
77200.W0360	With Keyway	400	30	65	63	38	8	33.3	4760
77200.W0361	With Keyway	400	32	65	63	38	10	35.3	4720



## 77400



### Material

Aluminium mould casting. Handle duroplast DF 31 black.

Hub machined; rim turned and mirror-finished on all sides, non-machined surfaces cleanly blasted.

For corresponding handle details see no. 75120 rotating handle.

### Technical Notes

There are gripping indentations on the rear sides.

The non-machined, raw surfaces are blasted; together with the mirror-polished rim these handwheels are therefore showing a finish which in most cases does not require additional lacquering.

Temperature range up to 110°C. Also available in black plastic coated - on request.

**For keyways information (dim.  $t_1$  and  $b_3$ ) to DIN 6885.**

Order No.	Finish	Bore dia.	$d_1$	$d_2$ tol. H7 Small	$d_2$ tol. H7 Large	$d_3$	$d_4$	$l_1$	$l_2$ ~	$l_3$	$w_1$	Weight g
77400.W0008	W/o Keyway, W/o Handle	d2 Small	80	10	12	26	-	16	26	13.0	-	130
77400.W0009	W/o Keyway, W/o Handle	d2 Large	80	10	12	26	-	16	26	13.0	-	130
77400.W0010	W/o Keyway, W/o Handle	d2 Small	100	10	12	28	-	17	30	14.0	-	203
77400.W0011	W/o Keyway, W/o Handle	d2 Large	100	10	12	28	-	17	30	14.0	-	203
77400.W0012	W/o Keyway, W/o Handle	d2 Small	125	12	14	31	-	18	33	15.0	-	307
77400.W0013	W/o Keyway, W/o Handle	d2 Large	125	12	14	31	-	18	33	15.0	-	307
77400.W0014	W/o Keyway, W/o Handle	d2 Small	140	14	16	36	-	19	36	16.5	-	430
77400.W0015	W/o Keyway, W/o Handle	d2 Large	140	14	16	36	-	19	36	16.5	-	430
77400.W0016	W/o Keyway, W/o Handle	d2 Small	160	14	16	36	-	20	39	18.0	-	540
77400.W0017	W/o Keyway, W/o Handle	d2 Large	160	14	16	36	-	20	39	18.0	-	540
77400.W0020	W/o Keyway, W/o Handle	d2 Small	200	18	20	42	-	24	45	20.5	-	849
77400.W0021	W/o Keyway, W/o Handle	d2 Large	200	18	20	42	-	24	45	20.5	-	849
77400.W0025	W/o Keyway, W/o Handle	d2 Small	250	22	26	48	-	28	51	23.5	-	1495
77400.W0026	W/o Keyway, W/o Handle	d2 Large	250	22	26	48	-	28	51	23.5	-	1495
77400.W0108	With Keyway, W/o Handle	d2 Small	80	10	12	26	-	16	26	13.0	-	139
77400.W0109	With Keyway, W/o Handle	d2 Large	80	10	12	26	-	16	26	13.0	-	139
77400.W0110	With Keyway, W/o Handle	d2 Small	100	10	12	28	-	17	30	14.0	-	190
77400.W0111	With Keyway, W/o Handle	d2 Large	100	10	12	28	-	17	30	14.0	-	190
77400.W0112	With Keyway, W/o Handle	d2 Small	125	12	14	31	-	18	33	15.0	-	291
77400.W0113	With Keyway, W/o Handle	d2 Large	125	12	14	31	-	18	33	15.0	-	291
77400.W0114	With Keyway, W/o Handle	d2 Small	140	14	16	36	-	19	36	16.5	-	413
77400.W0115	With Keyway, W/o Handle	d2 Large	140	14	16	36	-	19	36	16.5	-	413
77400.W0116	With Keyway, W/o Handle	d2 Small	160	14	16	36	-	20	39	18.0	-	529
77400.W0117	With Keyway, W/o Handle	d2 Large	160	14	16	36	-	20	39	18.0	-	529
77400.W0120	With Keyway, W/o Handle	d2 Small	200	18	20	42	-	24	45	20.5	-	880
77400.W0121	With Keyway, W/o Handle	d2 Large	200	18	20	42	-	24	45	20.5	-	880
77400.W0125	With Keyway, W/o Handle	d2 Small	250	22	26	48	-	28	51	23.0	-	1515
77400.W0126	With Keyway, W/o Handle	d2 Large	250	22	26	48	-	28	51	23.0	-	1515
77400.W0508	W/o Keyway, With Handle	d2 Small	80	10	12	26	M 6	16	26	13.0	18	160



# Disc Type Handwheels



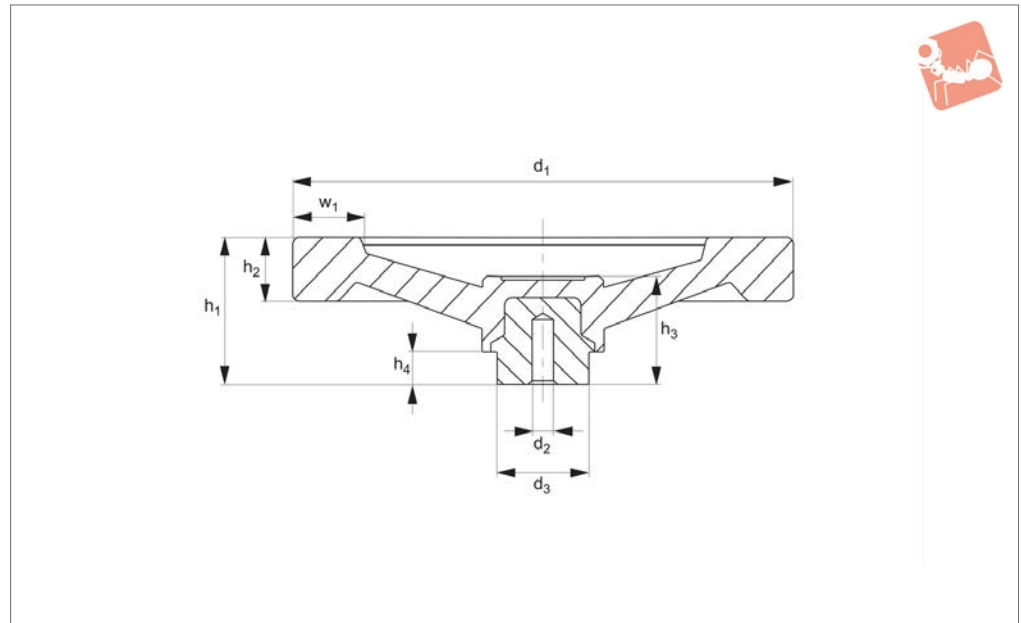
## Handwheels

Order No.	Finish	Bore dia.	d <sub>1</sub>	d <sub>2</sub> tol. H7 Small	d <sub>2</sub> tol. H7 Large	d <sub>3</sub>	d <sub>4</sub>	l <sub>1</sub>	l <sub>2</sub> z	l <sub>3</sub>	w <sub>1</sub>	Weight g
77400.W0509	W/o Keyway, With Handle	d2 Large	80	10	12	26	M 6	16	26	13.0	18	160
77400.W0510	W/o Keyway, With Handle	d2 Small	100	10	12	28	M 6	17	30	14.0	21	255
77400.W0511	W/o Keyway, With Handle	d2 Large	100	10	12	28	M 6	17	30	14.0	21	255
77400.W0512	W/o Keyway, With Handle	d2 Small	125	12	14	31	M 8	18	33	15.0	23	390
77400.W0513	W/o Keyway, With Handle	d2 Large	125	12	14	31	M 8	18	33	15.0	23	390
77400.W0514	W/o Keyway, With Handle	d2 Small	140	14	16	36	M 8	19	36	16.5	23	510
77400.W0515	W/o Keyway, With Handle	d2 Large	140	14	16	36	M 8	19	36	16.5	23	510
77400.W0516	W/o Keyway, With Handle	d2 Small	160	14	16	36	M10	20	39	18.0	26	675
77400.W0517	W/o Keyway, With Handle	d2 Large	160	14	16	36	M10	20	39	18.0	26	675
77400.W0520	W/o Keyway, With Handle	d2 Small	200	18	20	42	M10	24	45	20.5	26	995
77400.W0521	W/o Keyway, With Handle	d2 Large	200	18	20	42	M10	24	45	20.5	26	995
77400.W0525	W/o Keyway, With Handle	d2 Small	250	22	26	48	M10	28	51	23.0	28	1625
77400.W0526	W/o Keyway, With Handle	d2 Large	250	22	26	48	M10	28	51	23.0	28	1625
77400.W0608	With Keyway, With Handle	d2 Small	80	10	12	26	M 6	16	26	13.0	18	160
77400.W0609	With Keyway, With Handle	d2 Large	80	10	12	26	M 6	16	26	13.0	18	160
77400.W0610	With Keyway, With Handle	d2 Small	100	10	12	28	M 6	17	30	14.0	21	255
77400.W0611	With Keyway, With Handle	d2 Large	100	10	12	28	M 6	17	30	14.0	21	255
77400.W0612	With Keyway, With Handle	d2 Small	125	12	14	31	M 8	18	33	15.0	23	390
77400.W0613	With Keyway, With Handle	d2 Large	125	12	14	31	M 8	18	33	15.0	23	390
77400.W0614	With Keyway, With Handle	d2 Small	140	14	16	36	M 8	19	36	16.5	23	510
77400.W0615	With Keyway, With Handle	d2 Large	140	14	16	36	M 8	19	36	16.5	23	510
77400.W0616	With Keyway, With Handle	d2 Small	160	14	16	36	M10	20	39	18.0	26	675
77400.W0617	With Keyway, With Handle	d2 Large	160	14	16	36	M10	20	39	18.0	26	675
77400.W0620	With Keyway, With Handle	d2 Small	200	18	20	42	M10	24	45	20.5	26	995
77400.W0621	With Keyway, With Handle	d2 Large	200	18	20	42	M10	24	45	20.5	26	995
77400.W0625	With Keyway, With Handle	d2 Small	250	22	26	48	M10	28	51	23.0	28	1625
77400.W0626	With Keyway, With Handle	d2 Large	250	22	26	48	M10	28	51	23.0	28	1625

HANDWHEELS



**77600**



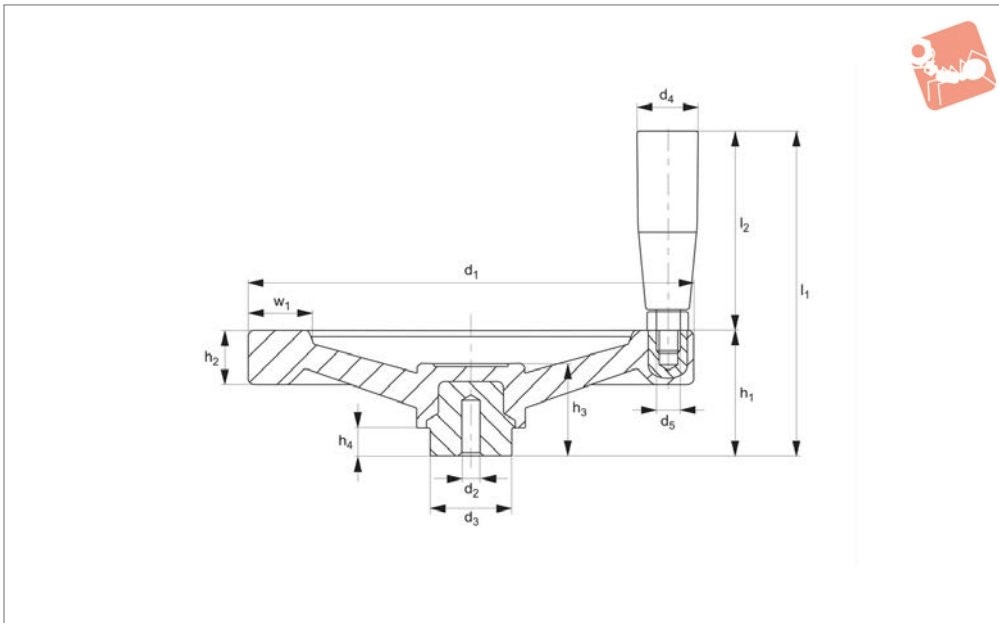
**Material**

Black, duroplast, with zinc plated steel hub.

**Technical Notes**

The pilot hole allows various sizes of holes, keyways etc. to be machined into the hub.

Order No.	d <sub>1</sub>	d <sub>2</sub>	d <sub>3</sub>	h <sub>1</sub>	h <sub>2</sub>	h <sub>3</sub>	h <sub>4</sub>	w <sub>1</sub>	Weight g
77600.W0100	100	4	24	35	14	30	11	16	200
77600.W0125	125	6	32	44	16	36	13	18	338
77600.W0150	150	6	32	48	18	38	13	20	458
77600.W0200	200	6	40	58	21	45	16	24	853
77600.W0250	250	8	48	66	22	50	17	30	1464
77600.W0300	300	8	58	76	24	57	18	35	2473



**77620**

HANDWHEELS

### Material

Black, duroplast plastic with zinc plated steel hub.

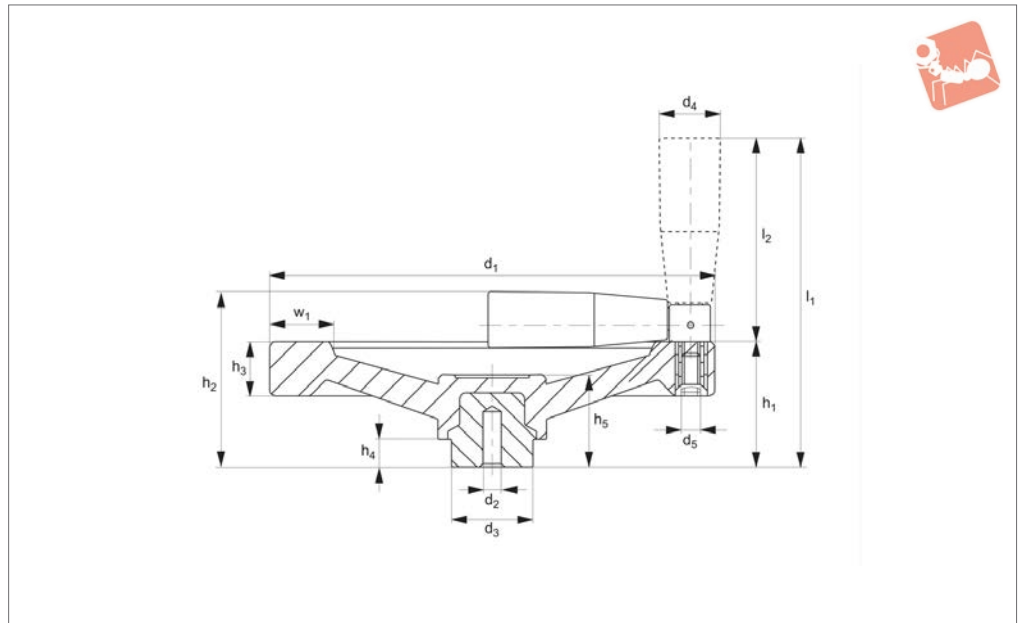
### Technical Notes

The pilot hole allows various sizes of holes, keyways etc. to be machined into the hub.

Order No.	$d_1$	$d_2$	$d_3$	$d_4$	$d_5$	$h_1$	$h_2$	$h_3$	$h_4$	$l_1$	$l_2$	$w_1$	Weight g
<b>77620.W0100</b>	100	4	24	21	M 8	35	14	30	21	85	50	16	231
<b>77620.W0125</b>	125	6	32	23	M 8	45	16	36	13	99	55	18	391
<b>77620.W0150</b>	150	6	32	25	M10	48	18	38	13	113	65	20	541
<b>77620.W0200</b>	200	6	40	28	M10	58	21	45	16	143	85	24	969
<b>77620.W0250</b>	250	8	48	28	M10	66	22	50	17	151	85	30	1589
<b>77620.W0300</b>	300	8	58	28	M10	76	24	57	18	161	85	35	2700



**77640**



**Material**

Duroplast, black. Zinc plated steel hub.

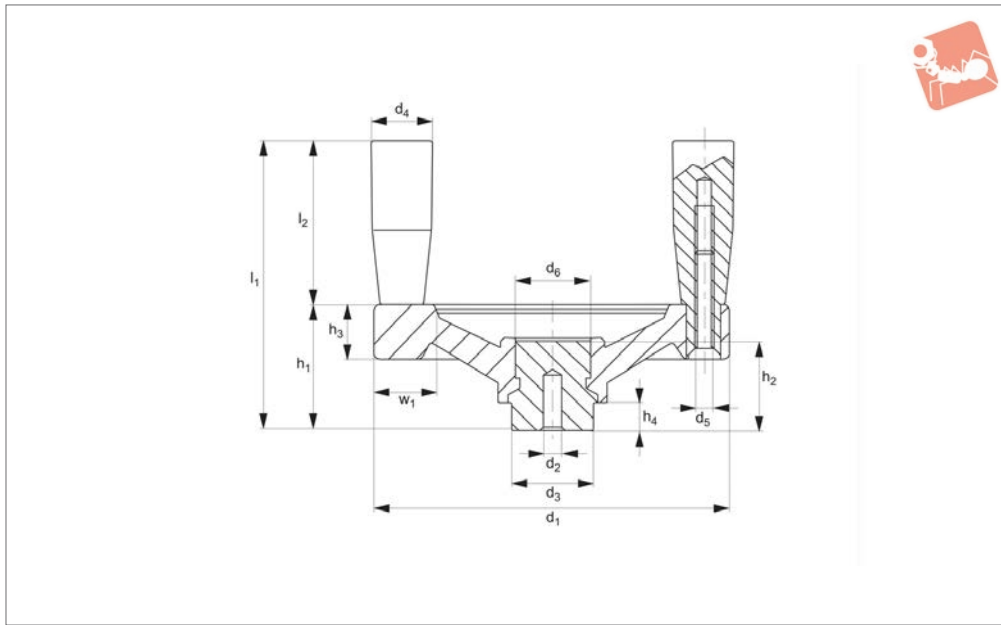
**Technical Notes**

The pilot hole allows various sizes of holes, keyways etc. to be machined into the hub.

Order No.	d <sub>1</sub>	d <sub>2</sub>	d <sub>3</sub>	d <sub>4</sub>	d <sub>5</sub>	h <sub>1</sub>	h <sub>2</sub>	h <sub>3</sub>	h <sub>4</sub>	h <sub>5</sub>	l <sub>1</sub>	l <sub>2</sub>	w <sub>1</sub>	Weight g
<b>77640.W0100</b>	100	4	24	21	M 5	35	54	14	11	30	102	50	16	251
<b>77640.W0125</b>	125	6	32	23	M 5	44	64	16	13	36	116	55	18	419
<b>77640.W0150</b>	150	6	32	25	M 6	48	69	18	13	38	130	65	20	539
<b>77640.W0200</b>	200	6	40	28	M 6	58	82	21	16	45	163	85	24	992
<b>77640.W0250</b>	250	8	48	28	M 6	66	90	22	17	50	171	85	30	1612
<b>77640.W0300</b>	300	8	58	28	M 6	76	100	24	18	57	181	85	35	2723



# Solid Disc Handwheels with double fixed handle



**77680**

HANDWHEELS

### Material

Duroplast, black. Zinc plated steel hub.

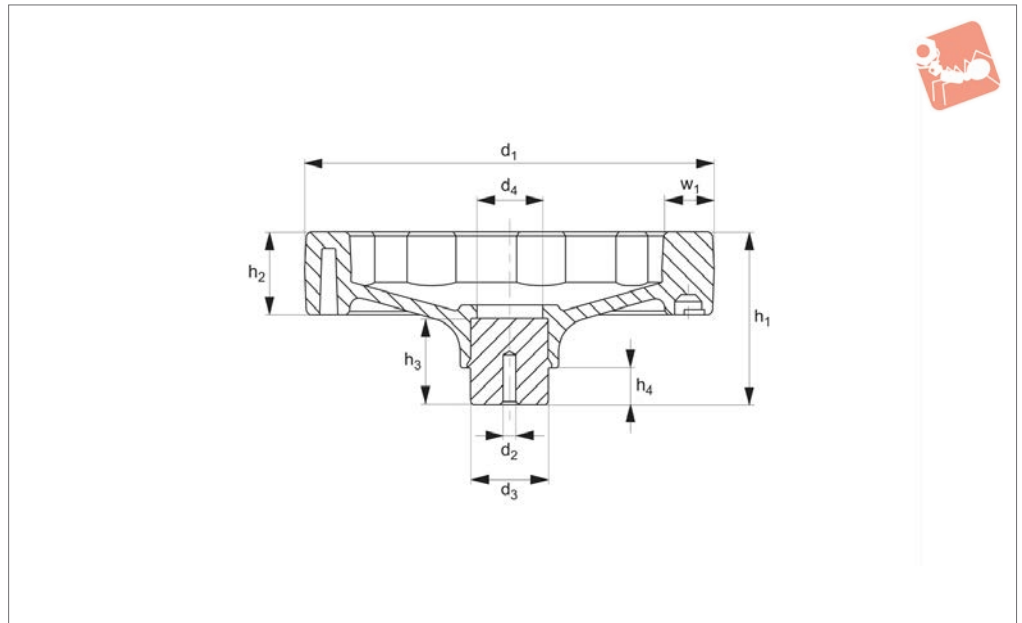
### Technical Notes

The pilot hole allows various sizes of holes, keyways etc. to be machined into the hub.

Order No.	d <sub>1</sub>	d <sub>2</sub>	d <sub>3</sub>	d <sub>4</sub>	d <sub>5</sub>	d <sub>6</sub>	h <sub>1</sub>	h <sub>2</sub>	h <sub>3</sub>	h <sub>4</sub>	l <sub>1</sub>	l <sub>2</sub>	w <sub>1</sub>	Weight g
<b>77680.W0065</b>	65	4	20	10	M 5	15	28	24	13	13	55	27	13	111
<b>77680.W0080</b>	80	4	20	10	M 6	16	31	27	14	17	71	40	15	155
<b>77680.W0100</b>	100	4	24	11	M 6	20	35	29	14	21	85	50	16	265



**77720**



**Material**

Thermoplastic, black, matt. Zinc plated steel hub.

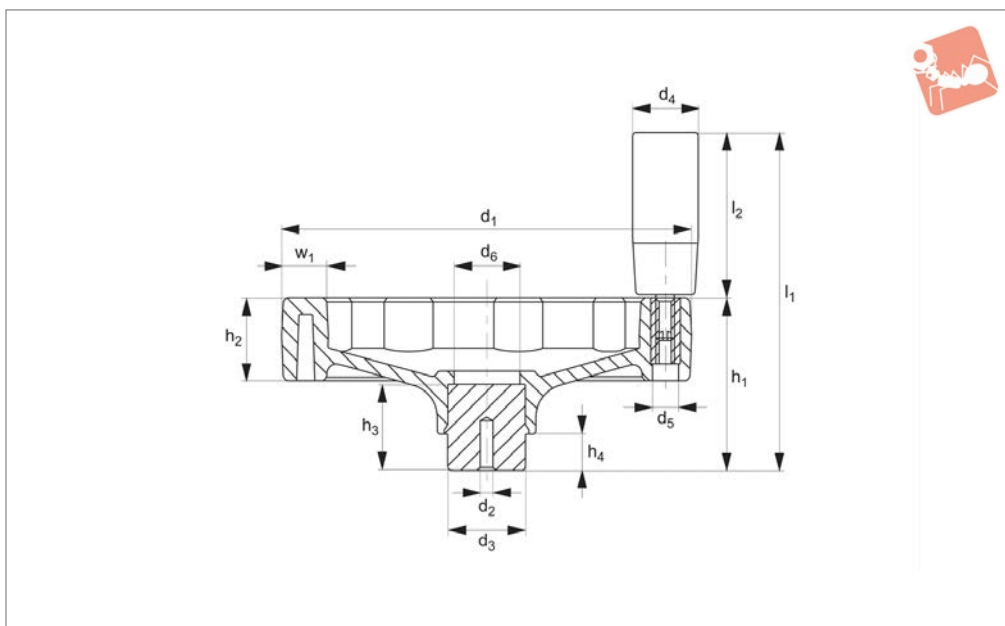
**Technical Notes**

The pilot hole allows various sizes of holes, keyways etc. to be machined into the hub.

Order No.	d <sub>1</sub>	d <sub>2</sub>	d <sub>3</sub>	d <sub>4</sub>	h <sub>1</sub>	h <sub>2</sub>	h <sub>3</sub>	h <sub>4</sub>	w <sub>1</sub>	Weight g
77720.W0100	100	4	24	18	46	20	24	12	15	174
77720.W0125	125	6	24	20	51	24	28	12	17	248
77720.W0160	160	6	32	30	61	28	31	15	20	460
77720.W0200	200	6	40	35	74	32	40	15	24	863



# Solid Disc Handwheels with rotating grip



**77740**

HANDWHEELS

### Material

Thermoplastic, black, matt. Zinc plated steel hub.

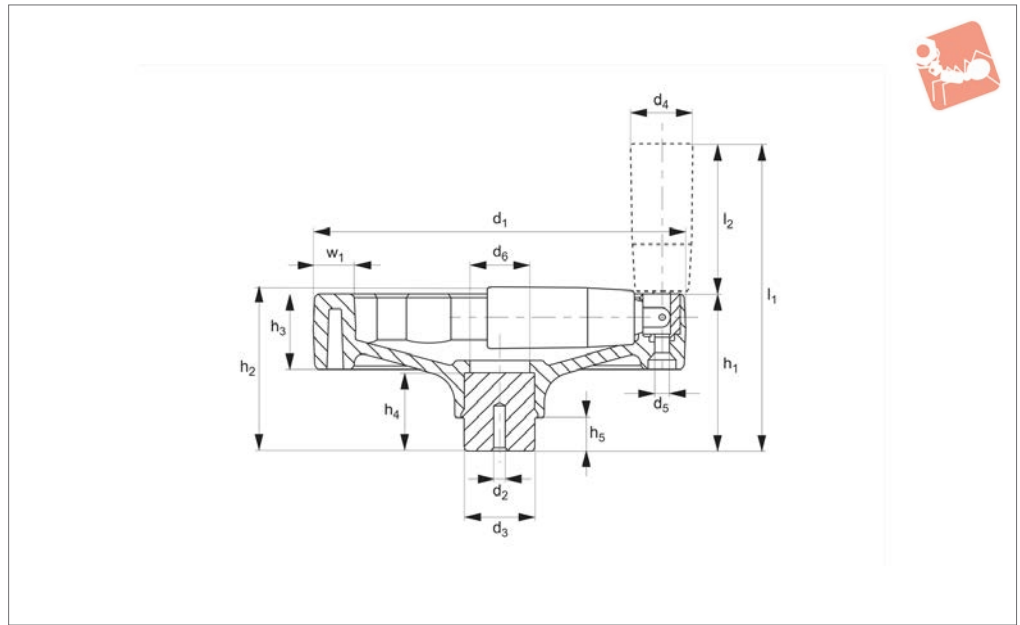
### Technical Notes

The pilot hole allows various sizes of holes, keyways etc. to be machined into the hub.

Order No.	d <sub>1</sub>	d <sub>2</sub>	d <sub>3</sub>	d <sub>4</sub>	d <sub>5</sub>	d <sub>6</sub>	h <sub>1</sub>	h <sub>2</sub>	h <sub>3</sub>	h <sub>4</sub>	l <sub>1</sub>	l <sub>2</sub>	w <sub>1</sub>	Weight g
<b>77740.W0100</b>	100	4	24	12	M_6	18	46	20	24	21	96	50	15	196
<b>77740.W0125</b>	125	6	24	12	M_6	20	51	24	28	21	101	50	17	276
<b>77740.W0160</b>	160	6	32	15	M_8	30	61	28	31	23	131	70	20	504
<b>77740.W0200</b>	200	6	40	15	M10	35	74	32	40	26	164	90	24	950



**77760**



**Material**

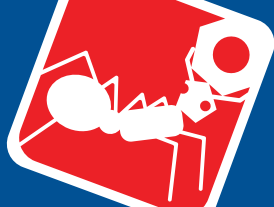
Thermoplastic, black, matt. Zinc plated steel hub.

**Technical Notes**

The pilot hole allows various sizes of holes, keyways etc. to be machined into the hub.

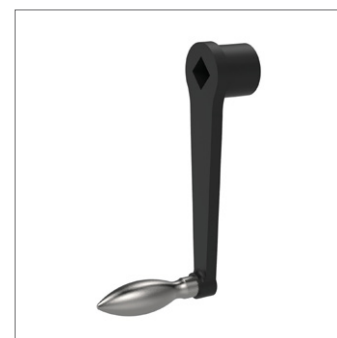
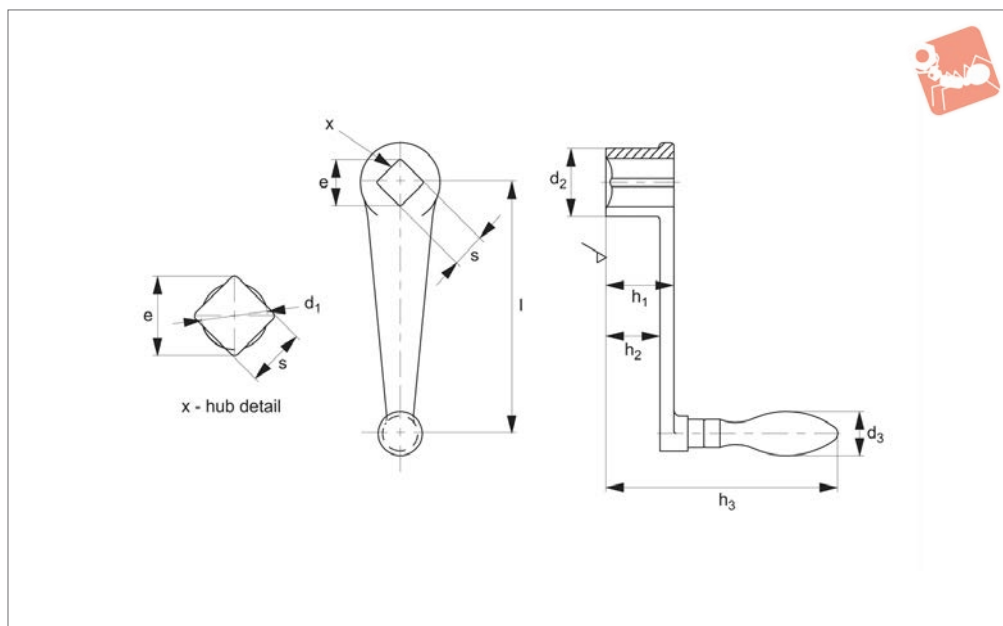
Order No.	d <sub>1</sub>	d <sub>2</sub>	d <sub>3</sub>	d <sub>4</sub>	d <sub>5</sub>	d <sub>6</sub>	h <sub>1</sub>	h <sub>2</sub>	h <sub>3</sub>	h <sub>4</sub>	h <sub>5</sub>	l <sub>1</sub>	l <sub>2</sub>	w <sub>1</sub>	Weight g
<b>77760.W0100</b>	100	4	24	21	M_4	18	46	50	20	24	12	98	52	15	213
<b>77760.W0125</b>	125	6	24	21	M_4	20	51	54	24	28	12	103	52	17	284
<b>77760.W0160</b>	160	6	32	23	M_5	30	61	65	28	31	15	133	72	20	507
<b>77760.W0200</b>	200	6	40	26	M_6	35	74	79	32	40	15	166	92	24	950





# Cranked Handles

straight - DIN 469



**75200**

CRANKED & REVOLVING HANDLES

### Material

Size 63 - malleable cast iron.

Size 80-250 - nodular cast iron.

Deburred, sand blasted and black plastic

coated.

Handle body: cast iron (GTW), plastic coated, black.

For corresponding handle details see

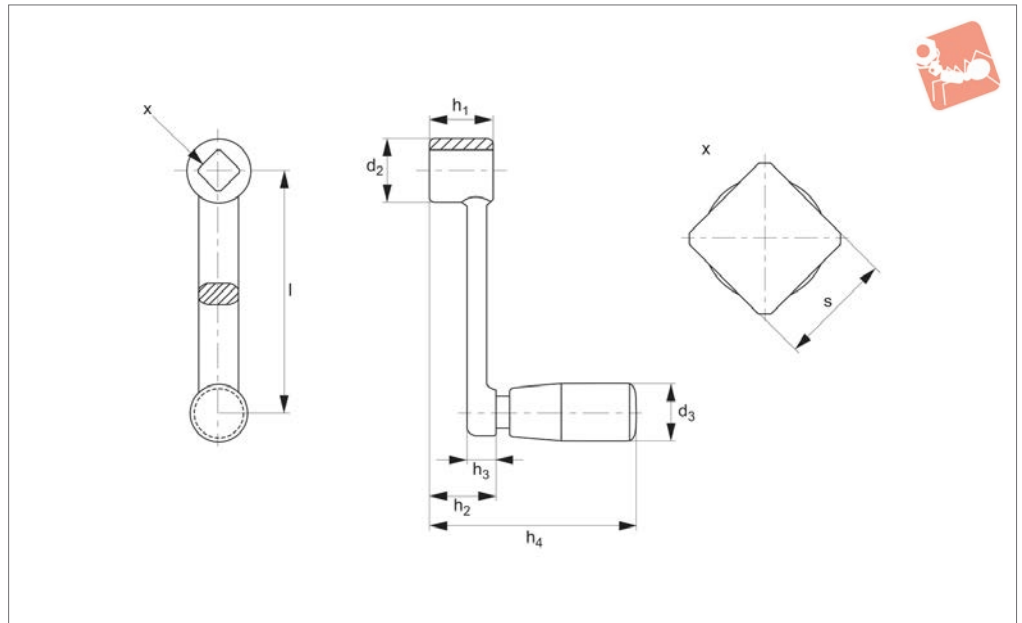
no.75060 (non-removable).

Hub-machined, with square bore details to DIN 79.

Order No.	Finish	Size l	s tol. H11	e min.	d <sub>1</sub>	d <sub>2</sub>	h <sub>1</sub>	h <sub>2</sub> ≈	h <sub>3</sub>	Corresp. handle dia. d <sub>3</sub>	Weight g
75200.W0006	Fixed Handle	63	10	13.1	10.5	20	20	15	74	16	109
75200.W0008	Fixed Handle	80	10	13.1	10.5	24	24	18	94	18	183
75200.W0010	Fixed Handle	100	12	16.1	12.6	28	28	21	98	20	278
75200.W0012	Fixed Handle	125	14	18.1	14.7	34	34	26	120	22	444
75200.W0016	Fixed Handle	160	17	22.2	17.9	38	38	29	122	25	649
75200.W0020	Fixed Handle	200	19	25.2	20.0	44	44	34	154	28	962
75200.W0025	Fixed Handle	250	22	28.2	23.1	48	48	36	157	32	1360
75200.W0108	Fixed Handle	80	12	16.1	12.6	24	24	18	94	18	186
75200.W0110	Fixed Handle	100	14	18.1	14.7	28	28	21	98	20	259
75200.W0112	Fixed Handle	125	17	22.2	17.9	34	34	26	120	22	433
75200.W0116	Fixed Handle	160	19	25.2	20.0	38	38	29	122	25	633
75200.W0120	Fixed Handle	200	22	28.2	23.1	44	44	34	154	28	983
75200.W0125	Fixed Handle	250	24	32.2	25.3	48	48	36	157	32	1351
75200.W0506	Rotating Handle	63	10	13.1	10.5	20	20	15	79	16	118
75200.W0508	Rotating Handle	80	10	13.1	10.5	24	24	18	97	18	194
75200.W0510	Rotating Handle	100	12	16.1	12.6	28	28	21	100	20	272
75200.W0512	Rotating Handle	125	14	18.1	14.7	34	34	26	122	22	468
75200.W0516	Rotating Handle	160	17	22.2	17.9	38	38	29	126	25	667
75200.W0520	Rotating Handle	200	19	25.2	20.0	44	44	34	160	28	1054
75200.W0525	Rotating Handle	250	22	28.2	23.1	48	48	36	162	32	1441
75200.W0608	Rotating Handle	80	12	16.1	12.6	24	24	18	97	18	197
75200.W0610	Rotating Handle	100	14	18.1	14.7	28	28	21	100	20	280
75200.W0612	Rotating Handle	125	17	22.2	17.9	34	34	26	122	22	433
75200.W0616	Rotating Handle	160	19	25.2	20.0	38	38	29	126	25	651
75200.W0620	Rotating Handle	200	22	28.2	23.1	44	44	34	160	28	992
75200.W0625	Rotating Handle	250	24	32.2	25.3	48	48	36	162	32	1409



75202



**Material**

Handle body: stainless steel 1.4308.

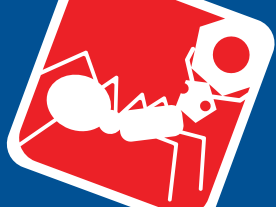
Cylindrical handle: Thermoset PF 31, black.

Axe part: stainless steel 1.4301.

**Technical Notes**

Flat side of the hub is machined.

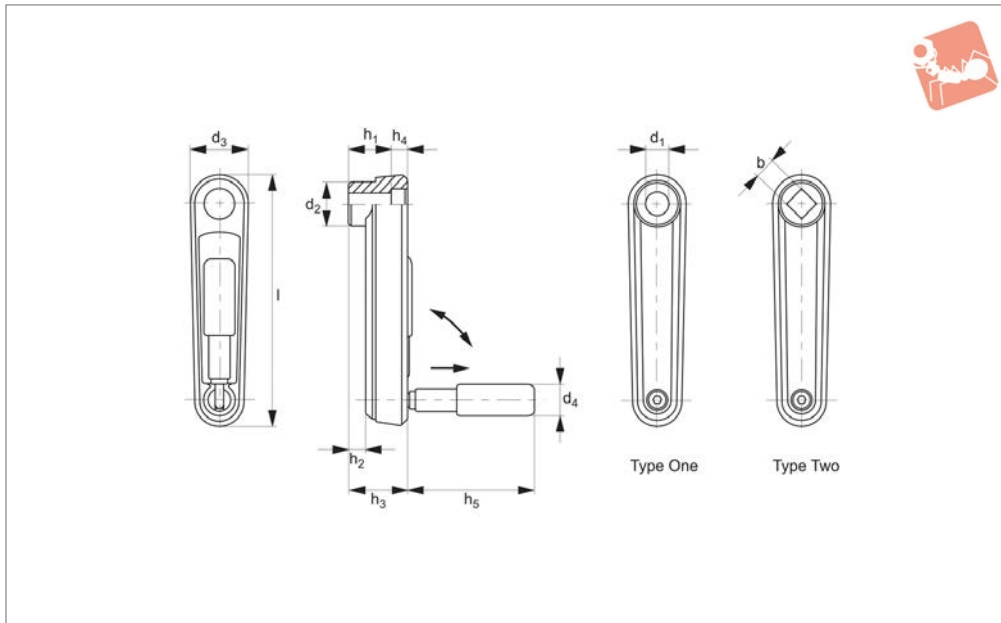
Order No.	l	s tol. H11	d <sub>2</sub>	d <sub>3</sub> cylinder-grip 75120	h <sub>1</sub>	h <sub>2</sub> ≈	h <sub>3</sub>	h <sub>4</sub> ≈	Weight g
75202.W0520	80	10	22	18	22	15.4	6.6	57.9	124
75202.W0530	100	12	22	21	26	17.7	8.3	70.2	187
75202.W0540	125	14	28	23	28	18.8	9.2	86.3	320
75202.W0550	160	17	32	23	32	22.6	9.4	90.1	370



# Cranked Handles

folding handle

# Cranked & Revolving



**75210**

CRANKED & REVOLVING HANDLES

### Material

Axle: Steel, blackened.  
 Cover: plastic, grey.  
 Body: Aluminium, plastic coated, structural matt.

Silver - similar RAL 9006  
 Black - similar RAL9005  
 Handle: Plastic, black matt.

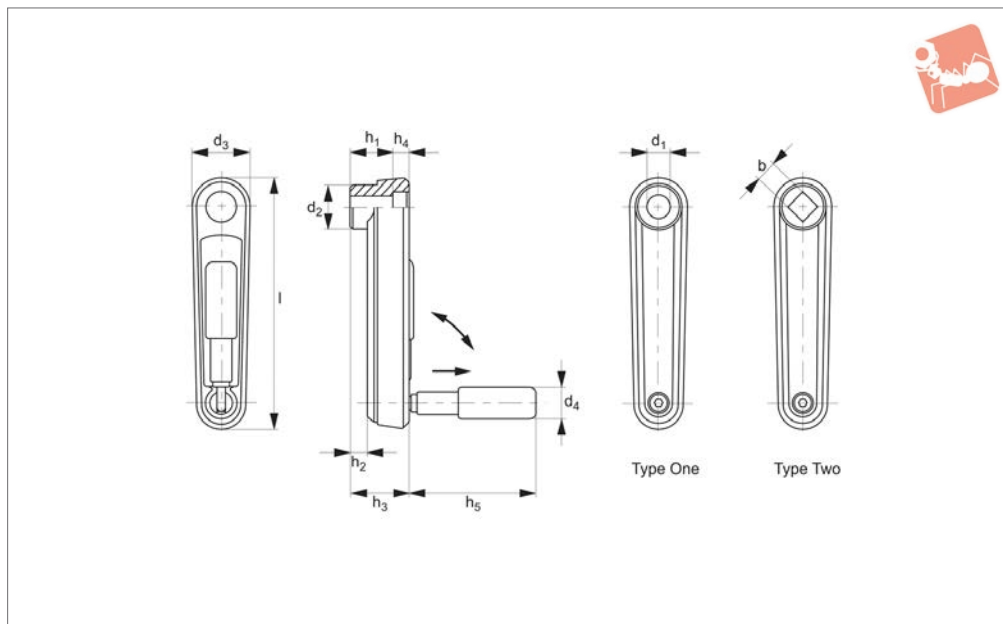
### Technical Notes

Operating: Handle is locked in position.  
 To store: Pull handle along axis and lift into locked position.

Order No.	Type, colour	b tol. H11	d <sub>1</sub> tol. H7	d <sub>2</sub>	d <sub>3</sub>	d <sub>4</sub> dia.	h <sub>1</sub>	h <sub>2</sub>	h <sub>3</sub>	h <sub>4</sub>	h <sub>5</sub>	Weight g
75210.W0005	One, silver	-	10	23.0	30	16	19.5	4.0	25.5	4.3	43.0	131
75210.W0010	One, silver	-	12	26.7	35	18	23.5	5.5	29.5	4.2	57.5	180
75210.W0015	One, silver	-	14	28.0	37	24	30.5	10.5	36.5	4.2	76.5	305
75210.W0105	One, black	-	10	23.0	30	16	19.5	4.0	25.5	4.3	43.0	131
75210.W0110	One, black	-	12	26.7	35	18	23.5	5.5	29.5	4.2	57.5	180
75210.W0115	One, black	-	14	28.0	37	24	30.5	10.5	36.5	4.2	76.5	305
75210.W0205	Two, silver	10	-	23.0	30	16	19.5	4.0	25.5	4.3	43.0	131
75210.W0210	Two, silver	12	-	26.7	35	18	23.5	5.5	29.5	4.2	57.5	180
75210.W0215	Two, silver	14	-	28.0	37	24	30.5	10.5	36.5	4.2	76.5	280
75210.W0305	Two, black	10	-	23.0	30	16	19.5	4.0	25.5	4.3	43.0	131
75210.W0310	Two, black	12	-	26.7	35	18	23.5	5.5	29.5	4.2	57.5	180
75210.W0315	Two, black	14	-	28.0	37	24	30.5	10.5	36.5	4.2	76.5	280



## 75212



### Material

Axle: Stainless steel 1.4305.

Cover: plastic, grey.

Body: Aluminium, plastic coated, structural matt.

Silver - similar RAL 9006

Black - similar RAL9005

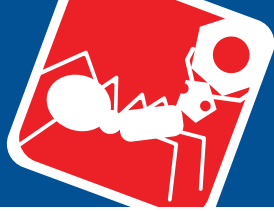
Handle: Plastic, black matt.

### Technical Notes

Operating: Handle is locked in position.

To store: Pull handle along axis and lift into locked position.

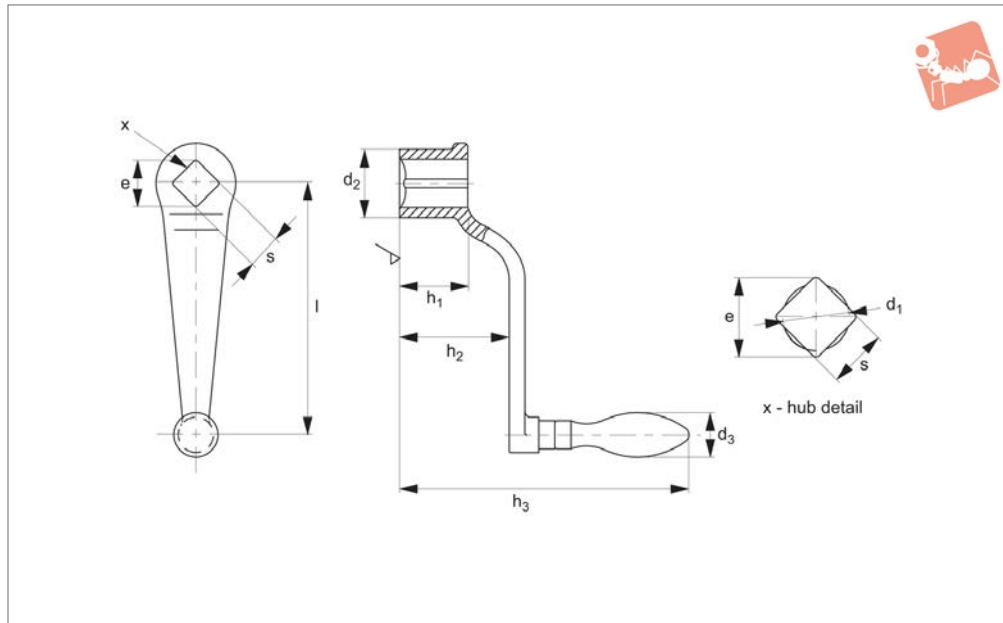
Order No.	Type, colour	b tol. H11	$d_1$ tol. H7	$d_2$	$d_3$	$d_4$ dia.	$h_1$	$h_2$	$h_3$	$h_4$	$h_5$	Weight g
75212.W0405	One, silver	-	10	23.0	30	16	19.5	4.0	25.5	4.3	43.0	118
75212.W0410	One, silver	-	12	26.7	35	18	23.5	5.5	29.5	4.2	57.5	197
75212.W0415	One, silver	-	14	28.0	37	24	30.5	10.5	36.5	4.2	76.5	283
75212.W0505	One, black	-	10	23.0	30	16	19.5	4.0	25.5	4.3	43.0	118
75212.W0510	One, black	-	12	26.7	35	18	23.5	5.5	29.5	4.2	57.5	197
75212.W0515	One, black	-	14	28.0	37	24	30.5	10.5	36.5	4.2	76.5	283
75212.W0605	Two, silver	10	-	23.0	30	16	19.5	4.0	25.5	4.3	43.0	118
75212.W0606	Two, silver	12	-	26.7	35	18	23.5	5.5	29.5	4.2	57.5	197
75212.W0607	Two, silver	14	-	28.0	37	24	30.5	10.5	36.5	4.2	76.5	283
75212.W0705	Two, black	10	-	23.0	30	16	19.5	4.0	25.5	4.3	43.0	118
75212.W0710	Two, black	12	-	26.7	35	18	23.5	5.5	29.5	4.2	57.5	197
75212.W0715	Two, black	14	-	28.0	37	24	30.5	10.5	36.5	4.2	76.5	283



# Cranked Handles

offset - DIN 468

# Cranked & Revolving



**75220**

CRANKED & REVOLVING HANDLES

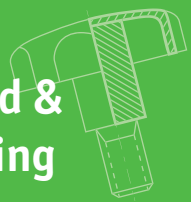
**Material**

Size 63 - malleable cast iron.  
 Size 80-250 - nodular cast iron.  
 Deburred, sand blasted and black plastic

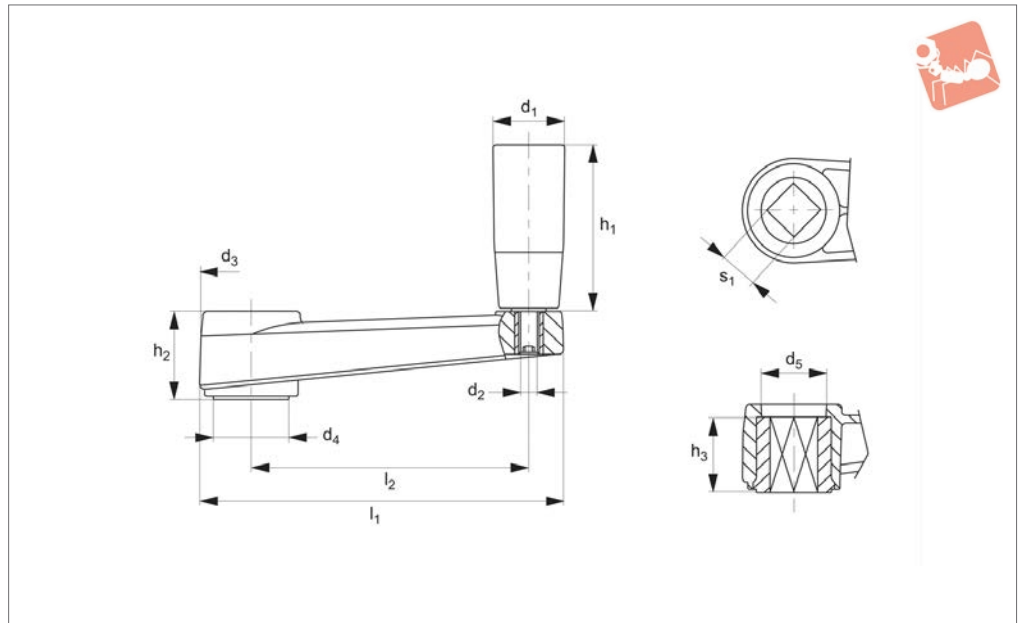
coated.  
 Handle body: cast iron (GTW), plastic coated, black.  
 For corresponding handle details see

no.75060 (non-removable).  
 Hub-machined, with square bore details to DIN 79.

Order No.	Finish	Size l	s tol. H11	e min.	d <sub>1</sub>	d <sub>2</sub>	h <sub>1</sub>	h <sub>2</sub> ≈	h <sub>3</sub>	Corresp. handle dia. d <sub>3</sub>	Weight g
75220.W0006	Fixed Handle	63	10	13.1	10.5	20	20	32	92	16	112
75220.W0008	Fixed Handle	80	10	13.1	10.5	24	24	38	114	18	187
75220.W0010	Fixed Handle	100	12	16.1	12.6	28	28	48	124	20	288
75220.W0012	Fixed Handle	125	14	18.1	14.7	34	34	55	148	22	460
75220.W0016	Fixed Handle	160	17	22.2	17.9	38	38	65	158	25	661
75220.W0020	Fixed Handle	200	19	25.2	20.0	44	44	78	197	28	1020
75220.W0025	Fixed Handle	250	22	28.2	23.1	48	48	90	209	32	1438
75220.W0108	Fixed Handle	80	12	16.1	12.6	24	24	38	114	18	183
75220.W0110	Fixed Handle	100	14	18.1	14.7	28	28	48	124	20	292
75220.W0112	Fixed Handle	125	17	22.2	17.9	34	34	55	148	22	439
75220.W0116	Fixed Handle	160	19	25.2	20.0	38	38	65	158	25	627
75220.W0120	Fixed Handle	200	22	28.2	23.1	44	44	78	197	28	1004
75220.W0125	Fixed Handle	250	24	32.2	25.3	48	48	90	209	32	1415
75220.W0130	Fixed Handle	315	24	32.2	25.3	54	54	105	192	36	2200
75220.W0132	Fixed Handle	315	27	36.2	28.4	54	54	105	192	36	2100
75220.W0506	Rotating Handle	63	10	13.1	10.5	20	20	32	96	16	118
75220.W0508	Rotating Handle	80	10	13.1	10.5	24	24	38	116	18	201
75220.W0510	Rotating Handle	100	12	16.1	12.6	28	28	48	126	20	310
75220.W0512	Rotating Handle	125	14	18.1	14.7	34	34	55	150	22	464
75220.W0516	Rotating Handle	160	17	22.2	17.9	38	38	65	160	25	674
75220.W0520	Rotating Handle	200	19	25.2	20.0	44	44	78	202	28	1083
75220.W0525	Rotating Handle	250	22	28.2	23.1	48	48	90	214	32	1497
75220.W0608	Rotating Handle	80	12	16.1	12.6	24	24	38	116	18	200
75220.W0610	Rotating Handle	100	14	18.1	14.7	28	28	48	126	20	291
75220.W0612	Rotating Handle	125	17	22.2	17.9	34	34	55	150	22	455
75220.W0616	Rotating Handle	160	19	25.2	20.0	38	38	65	160	25	664
75220.W0620	Rotating Handle	200	22	28.2	23.1	44	44	78	202	28	1034
75220.W0625	Rotating Handle	250	24	32.2	25.3	48	48	90	214	32	1478
75220.W0630	Rotating Handle	315	24	32.2	25.3	54	54	105	186	36	2220
75220.W0632	Rotating	315	27	36.2	28.4	54	54	105	186	36	2200



## 75240



### Material

Thermoplastic, black, matt. Glass fibre reinforced. Revolving handle.  
Revolving grip: duroplast, black.

Handle arm: thermoplastic, black matte.

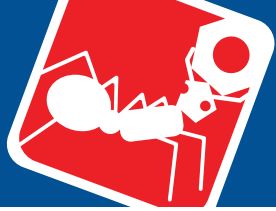
### Technical Notes

Special inch and metric bars, keyways, set

screw holes etc. available on request.

Corresponding machine handles are part number 75120.

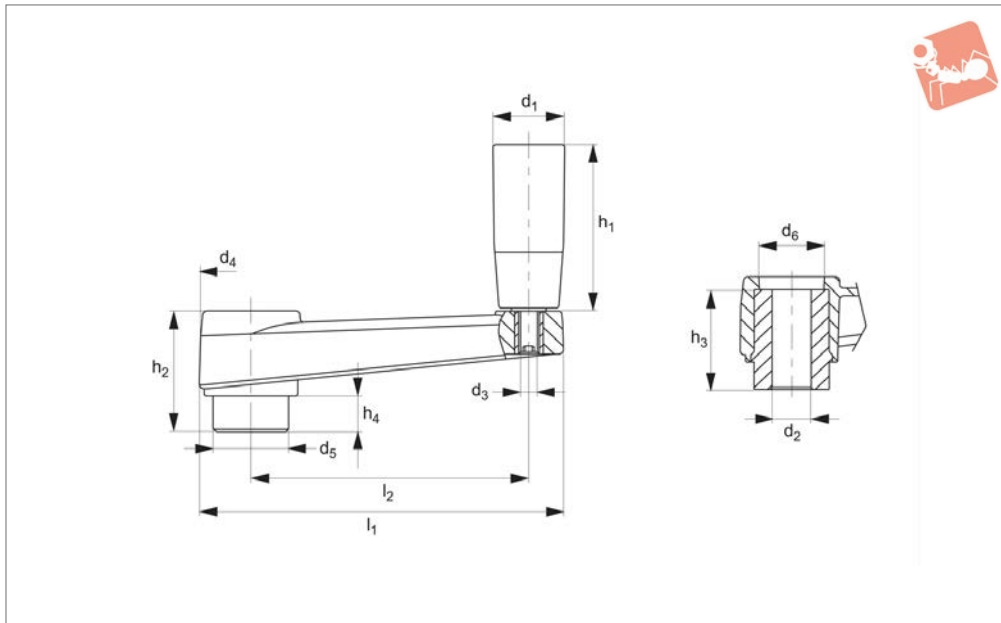
Order No.	d <sub>1</sub>	d <sub>2</sub>	d <sub>3</sub>	d <sub>4</sub>	d <sub>5</sub>	h <sub>1</sub>	h <sub>2</sub>	h <sub>3</sub>	l <sub>1</sub>	l <sub>2</sub>	s <sub>1</sub>	Weight g
75240.W0065	17	M 6	27	18	16	40	23	20	87	65	8x8	77
75240.W0080	21	M 6	30	22	19	50	26	22	105	80	10x10	120
75240.W0100	25	M 8	34	24	22	65	30	27	128	100	12x12	293
75240.W0130	28	M 8	40	28	25	85	35	30	162	130	14x14	236
75240.W0160	28	M10	45	34	28	85	40	34	196	160	17x17	369



# Cranked Handles with rotating grip



## Cranked & Revolving



**75260**

CRANKED & REVOLVING HANDLES

### Material

Thermoplast, black, matt. Glass fibre reinforced.

Revolving grip: duroplast, black.

Handle arm: thermoplast, black matte.

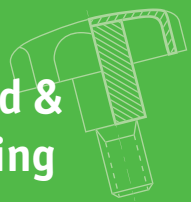
### Technical Notes

Special inch and metric bars, keyways, set

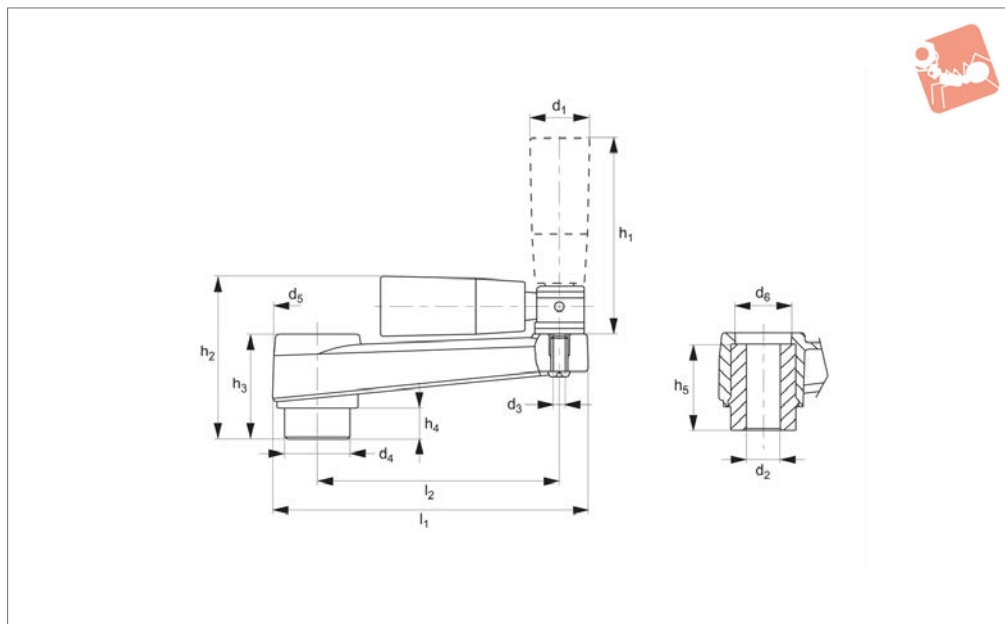
screw holes etc. available on request.

Circular bore.

Order No.	d <sub>1</sub>	d <sub>2</sub>	d <sub>3</sub>	d <sub>4</sub>	d <sub>5</sub>	d <sub>6</sub>	h <sub>1</sub>	h <sub>2</sub>	h <sub>3</sub>	h <sub>4</sub>	l <sub>1</sub>	l <sub>2</sub>	Weight g
75260.W0065	10	8	M 6	27	18	16	40	33	30	17	87	65	92
75260.W0080	10	10	M 6	30	22	19	50	36	32	21	105	80	144
75260.W0100	10	12	M 8	34	24	22	65	40	37	25	128	100	232
75260.W0130	14	14	M 8	40	28	25	85	49	44	28	162	130	327
75260.W0160	15	16	M10	45	34	28	85	55	49	28	196	160	510



## 75280



### Material

Thermoplastic, black, matt. Glass fibre reinforced. Fold-away revolving handle. Revolving grip: duroplast, black.

Handle arm: thermoplastic, black matte.

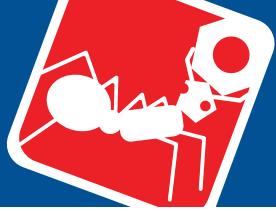
screw holes etc available on request. Circular bore.

### Technical Notes

Special inch and metric bars, keyways, set

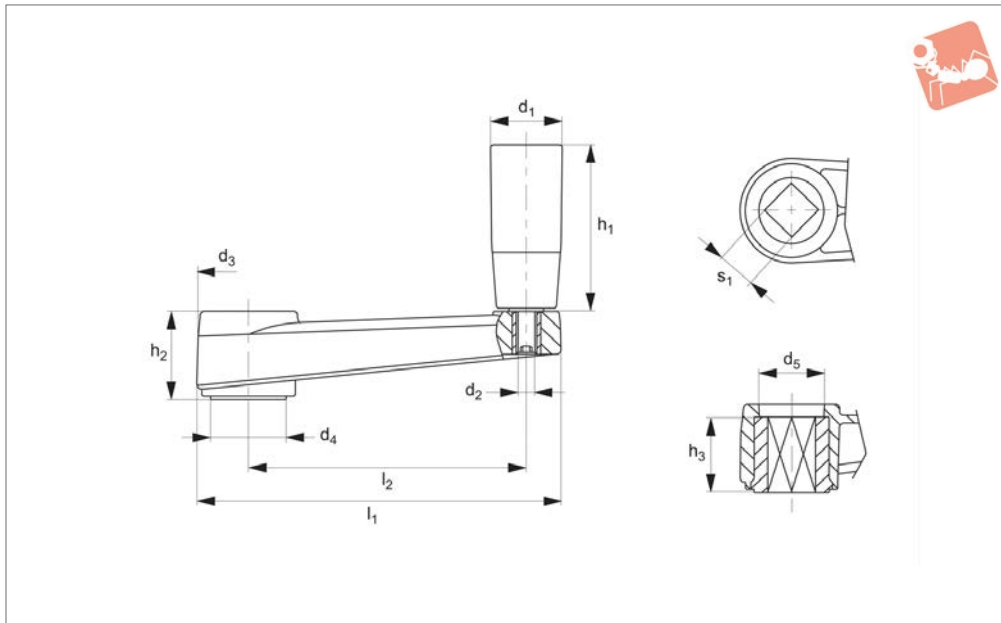
Order No.	d <sub>1</sub>	d <sub>2</sub>	d <sub>3</sub>	d <sub>4</sub>	d <sub>5</sub>	d <sub>6</sub>	h <sub>1</sub>	h <sub>2</sub>	h <sub>3</sub>	h <sub>4</sub>	h <sub>5</sub>	l <sub>1</sub>	l <sub>2</sub>	Weight g
75280.W0080	10	10	M 5	22	30	19	50	55	36	21	32	105	80	166
75280.W0100	10	12	M 6	24	34	22	70	65	40	23	37	128	100	241
75280.W0130	14	14	M 6	28	40	25	70	76	49	23	44	162	130	335
75280.W0160	15	16	M 6	34	45	28	90	87	55	26	49	196	160	529





# Cranked Handles with rotating grip

# Cranked & Revolving



**75340**

CRANKED & REVOLVING HANDLES

### Material

Thermoplastic, black, matt. Glass fibre reinforced. Revolving handle.  
Revolving grip and handle arm: thermoplastic, black matte.

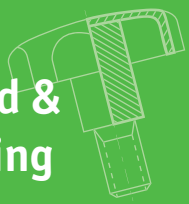
stic, black matte.

screw holes etc. available upon request.

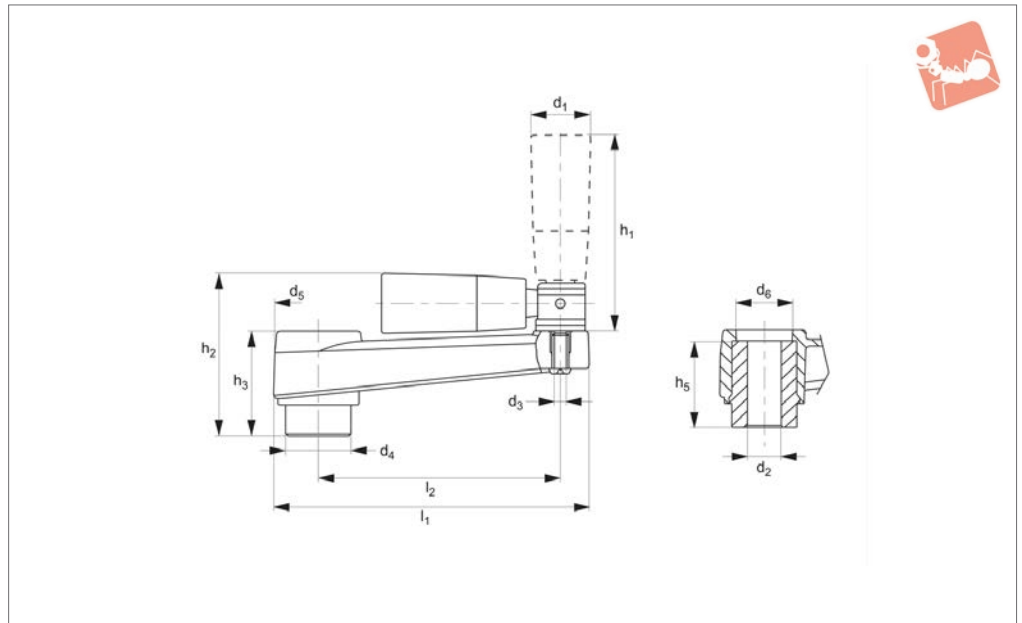
### Technical Notes

Special inch and metric bores, keyways, set

Order No.	d <sub>1</sub>	d <sub>2</sub>	d <sub>3</sub>	d <sub>4</sub>	d <sub>5</sub>	h <sub>1</sub>	h <sub>2</sub>	h <sub>3</sub>	l <sub>1</sub>	l <sub>2</sub>	s <sub>1</sub>	Weight g
75340.W0065	21	M 6	27	18	16	50	23	20	87	65	8x8	78
75340.W0080	21	M 6	30	22	19	50	26	22	105	80	10x10	102
75340.W0100	23	M 8	34	24	22	70	30	27	128	100	12x12	167
75340.W0130	26	M 8	40	28	25	90	35	30	162	130	14x14	236
75340.W0160	26	M10	45	34	28	90	40	34	196	160	17x17	367



## 75360



### Material

Thermoplastic, black matt. Glass fibre reinforced. With fold-away revolving grip. Revolving grip and handle arm: thermo-

plast, black matte.

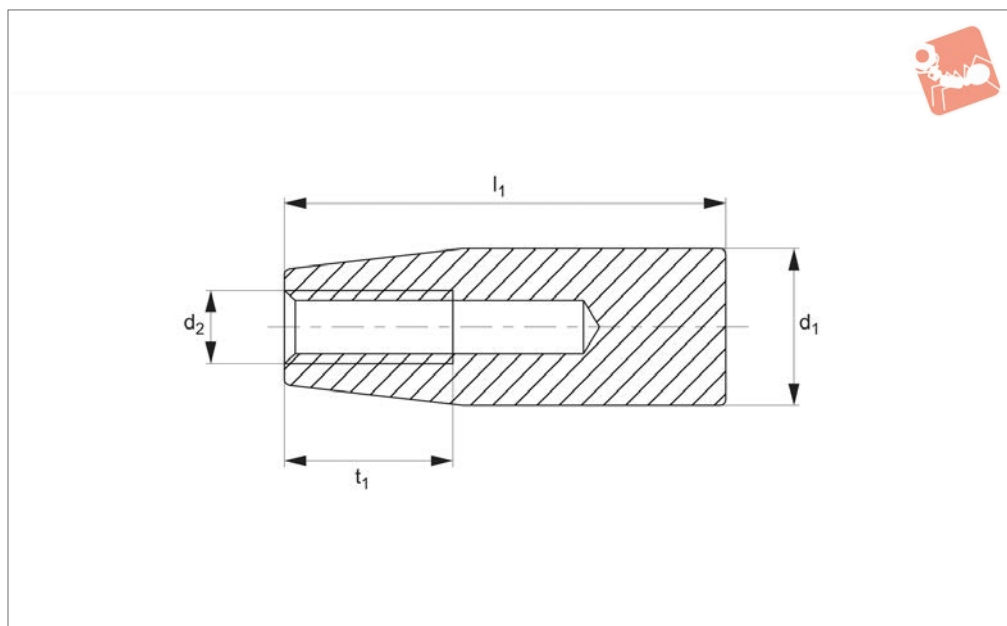
### Technical Notes

Circular bore.

### Tips

Fold-away grip can be retracted after use to ensure safety or where space is limited.

Order No.	d <sub>1</sub>	d <sub>2</sub>	d <sub>3</sub>	d <sub>4</sub>	d <sub>5</sub>	d <sub>6</sub>	h <sub>1</sub>	h <sub>2</sub>	h <sub>3</sub>	h <sub>5</sub>	l <sub>1</sub>	l <sub>2</sub>	Weight g
75360.W0080	10	10	M 5	22	30	19	50	63	36	32	105	80	125
75360.W0100	10	12	M 6	24	34	22	70	72	40	37	128	100	220
75360.W0130	14	14	M 6	28	40	25	70	83	49	44	162	130	312
75360.W0160	15	16	M 6	34	45	28	90	93	55	49	196	160	518



**75010**

CRANKED & REVOLVING HANDLES

### Material

Duroplast, black, moulded thread.

request, subject to minimum order quantity.

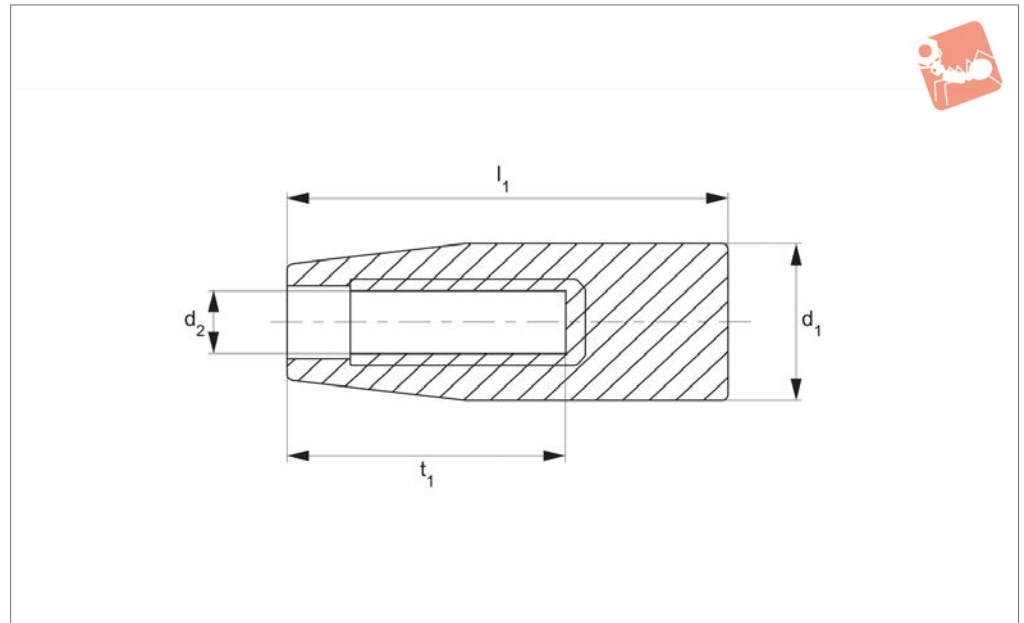
### Technical Notes

Special sizes and colours available on

Order No.	d <sub>1</sub>	d <sub>2</sub>	l <sub>1</sub>	t <sub>1</sub>	Weight g
75010.W0013	13	M 5	27	14	4
75010.W0014	13	M 6	27	14	4
75010.W0017	17	M 6	40	20	9
75010.W0018	17	M 8	40	25	8
75010.W0021	21	M 6	50	25	20
75010.W0022	21	M 8	50	25	19
75010.W0023	21	M10	50	25	18
75010.W0025	25	M 8	65	30	36
75010.W0026	25	M10	65	30	35
75010.W0027	25	M12	65	30	34
75010.W0028	28	M 8	85	40	61
75010.W0029	28	M10	85	40	59
75010.W0030	28	M12	85	40	56
75010.W0031	28	M14	85	40	52



**75012**



CRANKED & REVOLVING HANDLES

**Material**

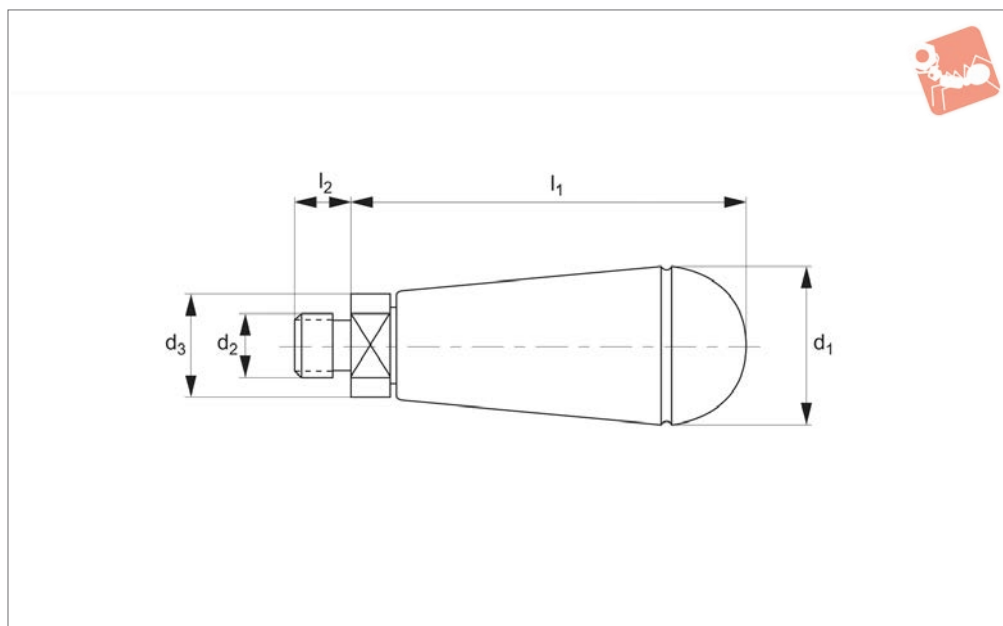
Phenolic plastic, black.

request, subject to minimum order quantity.

**Technical Notes**

Special sizes and colours available on

Order No.	d <sub>1</sub>	d <sub>2</sub>	l <sub>1</sub>	t <sub>1</sub>	Weight g
75012.W1705	17	5	40	21	9
75012.W1706	17	6	40	21	9
75012.W2108	21	8	50	28	20
75012.W2110	21	10	50	28	18
75012.W2308	23	8	55	28	27
75012.W2310	23	10	55	28	25
75012.W2510	25	10	65	30	36
75012.W2512	25	12	65	30	35
75012.W2812	28	12	85	45	58
75012.W2814	28	14	85	45	55
75012.W2912	29	12	115	45	89
75012.W2914	29	14	115	45	84



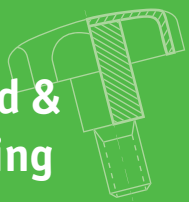
### 75020

CRANKED & REVOLVING HANDLES

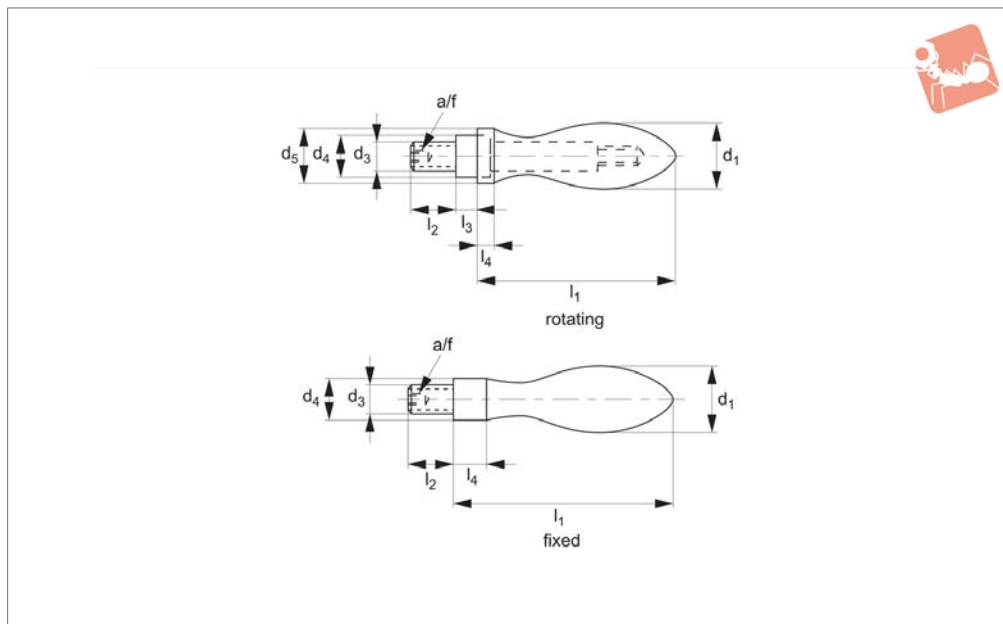
#### Material

Black, duroplast, with zinc plated steel stud.

Order No.	d <sub>1</sub>	d <sub>2</sub>	d <sub>3</sub>	l <sub>1</sub>	l <sub>2</sub>	Weight g
75020.W0025	25	M 8	16	61	10	52
75020.W0026	25	M10	16	61	10	55
75020.W0032	32	M10	20	75	13	110
75020.W0033	32	M12	20	75	13	114



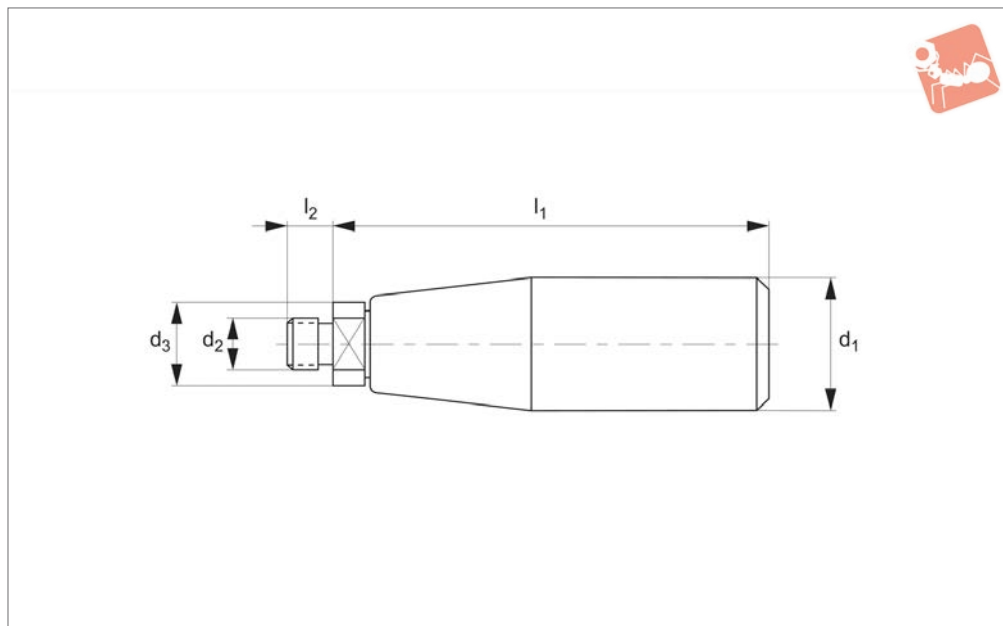
## 75060



### Material

Steel, turned, zinc coated by galvanization, passivated.

Order No.	Type	d <sub>1</sub>	d <sub>3</sub>	d <sub>4</sub> tol. H13	d <sub>5</sub>	l <sub>1</sub> ≈	l <sub>2</sub>	l <sub>3</sub>	l <sub>4</sub>	A/F	Weight g
75060.W0116	Rotating	16	M 6	10	14	49	11	5.5	5.0	3	51
75060.W0120	Rotating	20	M 8	13	18	61	13	6.0	6.0	4	101
75060.W0125	Rotating	25	M10	16	21	75	14	8.0	6.5	5	193
75060.W0132	Rotating	32	M12	20	26	95	21	10.5	8.0	6	387
75060.W0136	Rotating	36	M16	22	29	106	26	11.0	9.0	8	566
75060.W0216	Fixed	16	M 6	10	-	50	11	-	7.0	3	43
75060.W0220	Fixed	20	M 8	13	-	64	13	-	8.0	4	88
75060.W0225	Fixed	25	M10	16	-	80	14	-	10.0	5	175
75060.W0232	Fixed	32	M12	20	-	100	21	-	13.0	6	346
75060.W0236	Fixed	36	M16	22	-	112	26	-	14.0	8	509
75060.W0316	Stainless	16	M 6	10	-	50	11	-	7.0	-	45
75060.W0320	Stainless	20	M 8	13	-	64	13	-	8.0	-	92
75060.W0325	Stainless	25	M10	16	-	80	14	-	10.0	-	186



## 75100

CRANKED & REVOLVING HANDLES

### Material

Black, duroplast. Zinc plated steel stud.

request, subject to minimum order quantity.

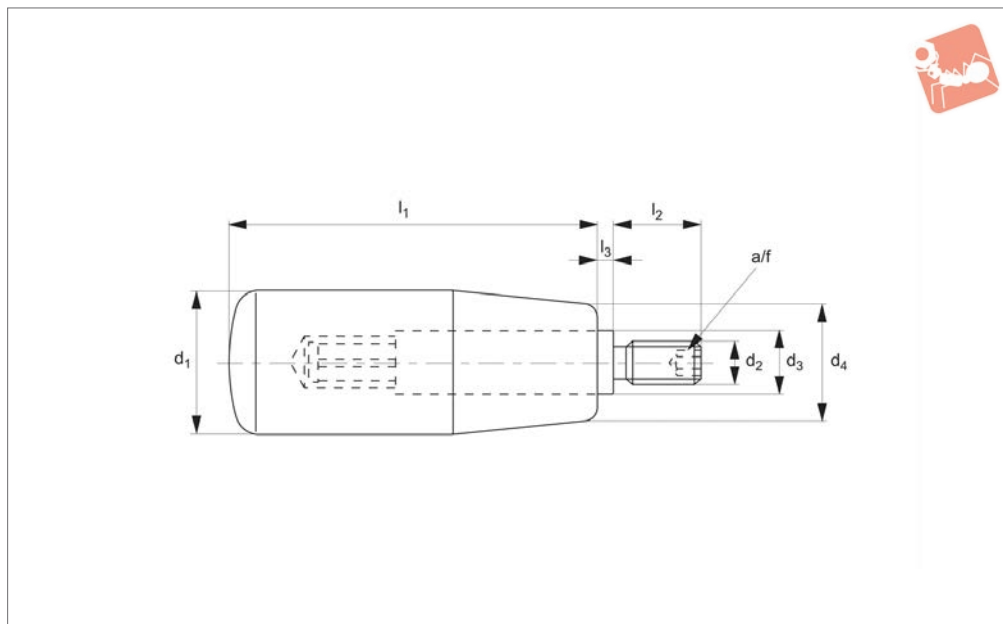
### Technical Notes

Special sizes and colours available on

Order No.	d <sub>1</sub>	d <sub>2</sub>	d <sub>3</sub>	l <sub>1</sub>	l <sub>2</sub>
75100.W0117	17	M_6	12	45	8
75100.W0118	17	M_8	12	45	8
75100.W0121	21	M_8	16	56	10
75100.W0122	21	M10	16	56	10
75100.W0125	25	M_8	18	71	13
75100.W0126	25	M10	18	71	13
75100.W0128	28	M10	20	92	13
75100.W0129	28	M12	20	92	13



## 75120



### Material

Grip: duroplast PF 31, black matte. 75120.  
W0014 - Thermoplastic (PA).

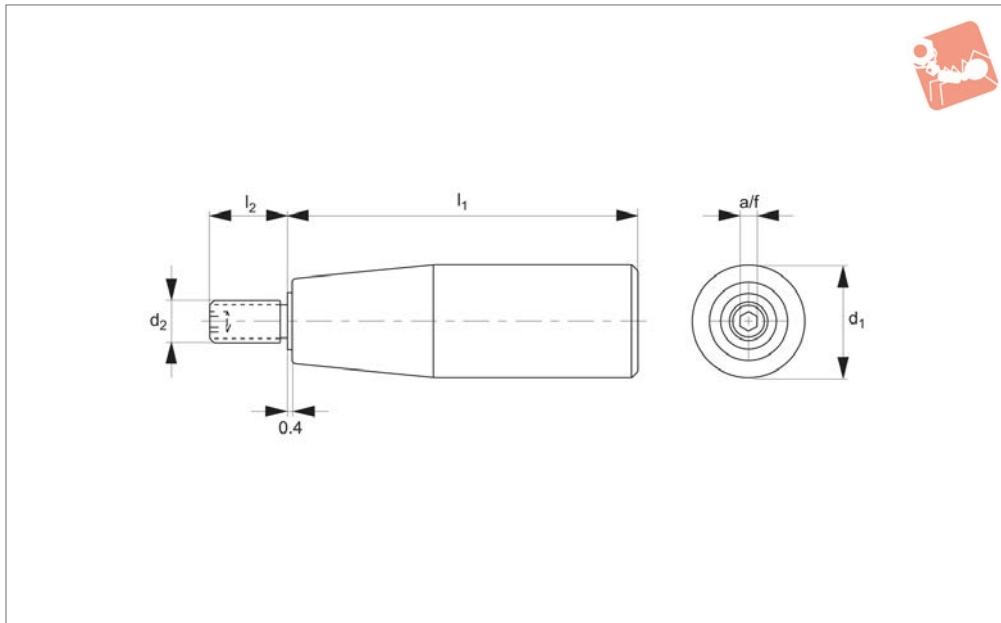
Stud & housing: steel, galvanised.

### Technical Notes

Temperature range up to 80°C.

Order No.	d <sub>1</sub>	d <sub>2</sub>	d <sub>3</sub>	d <sub>4</sub>	l <sub>1</sub>	l <sub>2</sub>	l <sub>3</sub>	A/F	Weight g
75120.W0014	14	M_6	8	11	28	10	0.5	3	13
75120.W0018	18	M_6	10	15	40	12	2.5	3	29
75120.W0020	21	M_6	10	17	50	13	2.5	3	42
75120.W0022	22	M_6	10	18	56	13	2.5	3	47
75120.W0023	23	M_8	13	19	65	14	2.5	4	79
75120.W0026	26	M_8	13	21	80	16	2.5	4	106
75120.W0031	31	M12	14	25	102	20	2.5	6	178
75120.W0120	21	M_8	10	17	50	13	2.5	4	43
75120.W0122	22	M_8	10	18	56	13	2.5	4	48
75120.W0028	28	M10	13	22	90	16	2.5	5	126
75120.W0123	23	M10	13	19	65	14	2.5	5	80
75120.W0126	26	M10	13	21	80	16	2.5	5	108





75130

CRANKED & REVOLVING HANDLES

**Material**

Grip: duroplast PF 31, black matt.  
Stud & housing: stainless steel, AISI 303.

**Technical Notes**

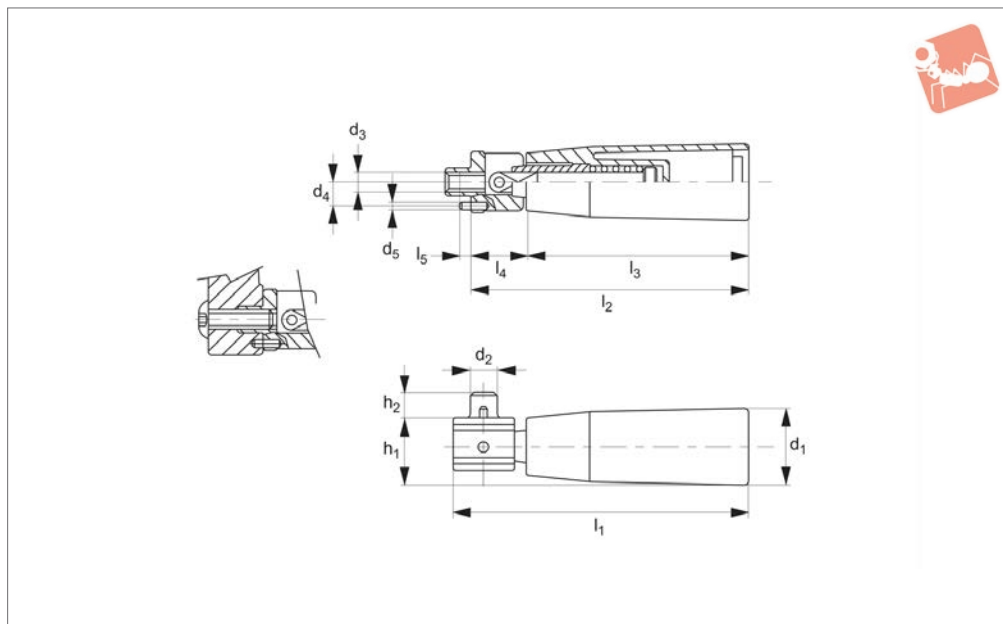
Temperature range 110°C. For certain minimum quantities custom colours

available upon request.

Order No.	$d_1$	$d_2$	$l_1$	$l_2$	A/F	Weight g
75130.W0017	17	M 6	40	13	3	18
75130.W0020	21	M 6	50	13	3	35
75130.W0023	23	M 8	55	14	4	49
75130.W0025	25	M 8	65	15	4	73
75130.W0027	28	M 8	85	15	4	106
75130.W0028	28	M10	85	17	5	110



## 75150



### Material

Steel Type: Grip: thermoplastic, black, matt.

Stud & housing: steel, chrome plated.

Stainless Type: Grip: thermoplastic, black, matte.

Stud & housing: stainless steel, AISI 303.  
With retractable mechanism.

### Technical Notes

Fold-away handles are ideal for applications where, due to lack of space or for

safety, the handle must be folded down and out of the way. Handle spring loaded for quick return. For certain minimum quantities custom colours available upon request.

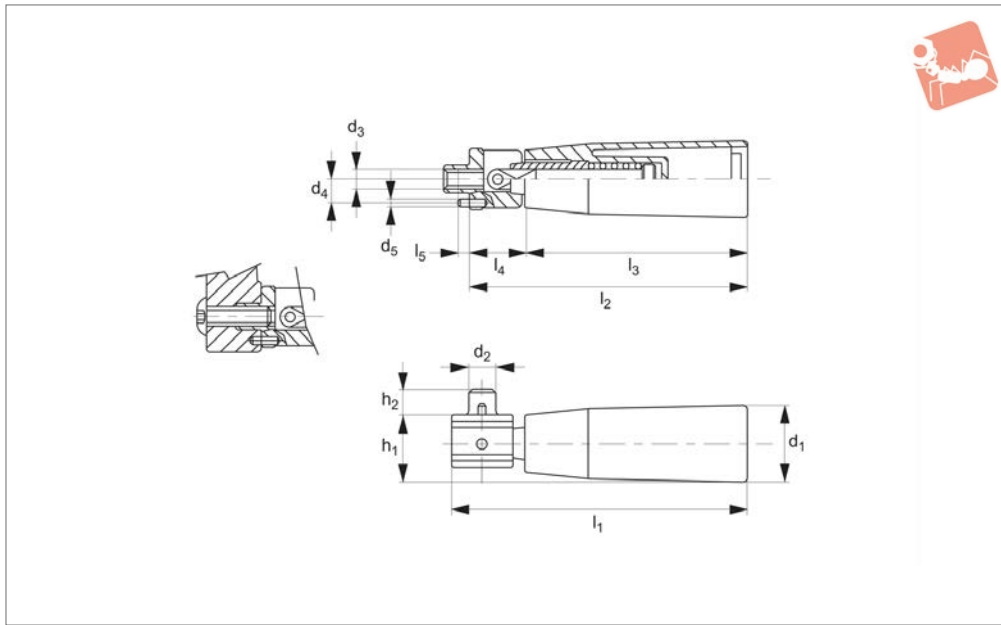
Order No.	Material	d <sub>1</sub>	d <sub>2</sub>	d <sub>3</sub>	d <sub>4</sub>	d <sub>5</sub>	h <sub>1</sub>	h <sub>2</sub>	l <sub>1</sub>	l <sub>2</sub>	l <sub>3</sub>	l <sub>4</sub>	l <sub>5</sub>	Weight g
75150.W0021	Steel	21	7	M 5	6.3	2.5	19	8	69	66.5	50	16.5	4	55
75150.W0023	Steel	23	8	M 6	7.5	2.5	21	8	92	86.5	70	16.5	4	67
75150.W0026	Steel	26	8	M 6	7.5	2.5	24	10	114	110.0	90	20.0	4	102
75150.W0521	Stainless	21	7	M 5	6.3	2.5	19	8	69	66.5	50	16.5	4	55
75150.W0523	Stainless	23	8	M 6	7.5	2.5	21	8	92	86.5	70	16.5	4	67
75150.W0526	Stainless	26	8	M 6	7.5	2.5	24	10	114	110.0	90	20.0	4	102



# Rotating Handles

fold-away type

# Cranked & Revolving



**75160**

CRANKED & REVOLVING HANDLES

**Material**

Thermoplastic, black, matt. Steel stud and zinc plated steel retractable mechanism.

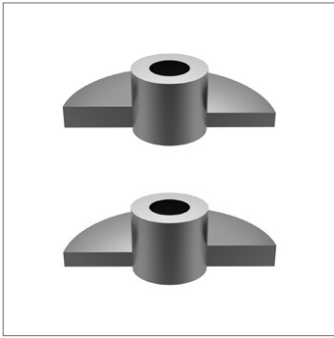
**Technical Notes**

Fold-away handles are ideal for applica-

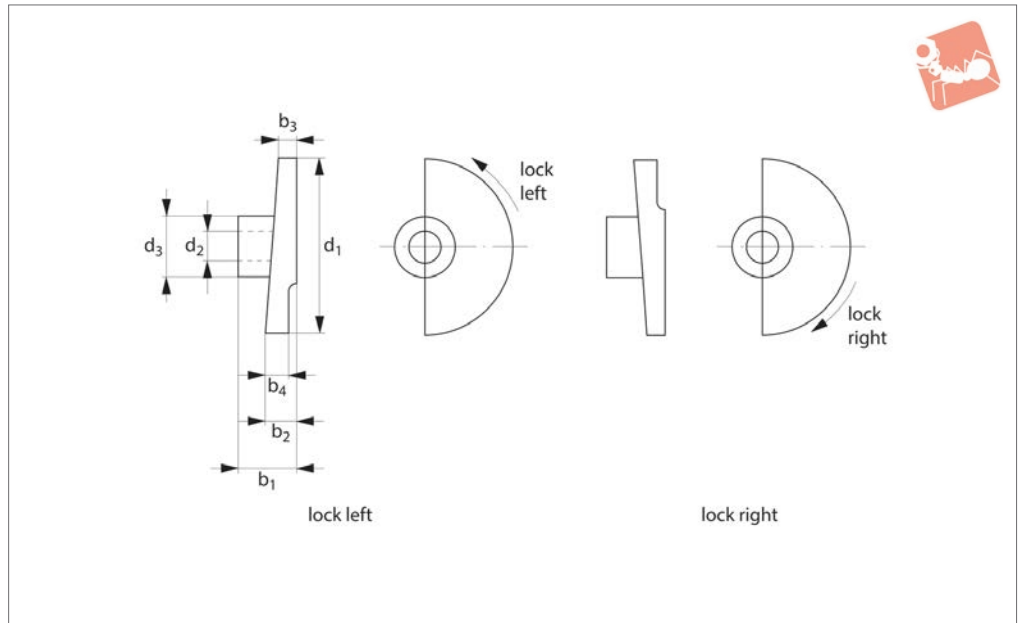
tions where, due to lack of space or for safety, the handle must be folded down and out of the way. Handle spring loaded for quick return. For certain minimum quantities custom colours available upon

request.

Order No.	d <sub>1</sub>	d <sub>2</sub>	d <sub>3</sub>	d <sub>4</sub>	d <sub>5</sub>	h <sub>1</sub>	h <sub>2</sub>	l <sub>1</sub>	l <sub>2</sub>	l <sub>3</sub>	l <sub>4</sub>	l <sub>5</sub>	Weight g
75160.W0021	21	7	M 5	6.3	2.5	27	8	63	57	50	7	4	46
75160.W0023	23	8	M 5	7.5	2.5	29	8	84	77	70	7	4	63
75160.W0024	26	8	M 6	7.5	2.5	32	10	107	97	90	7	4	105



**36820**



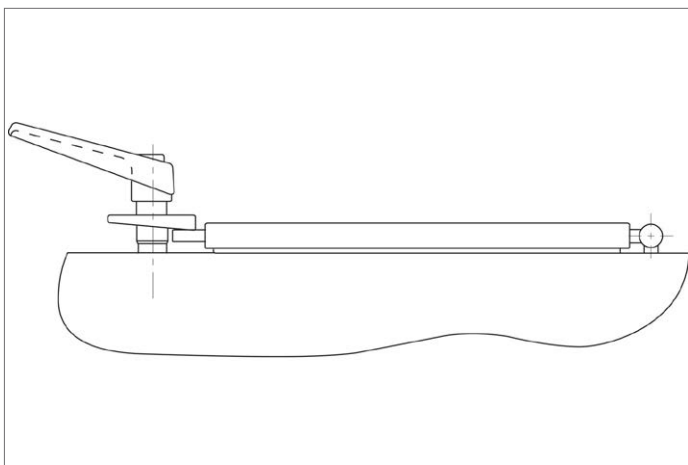
**Material**

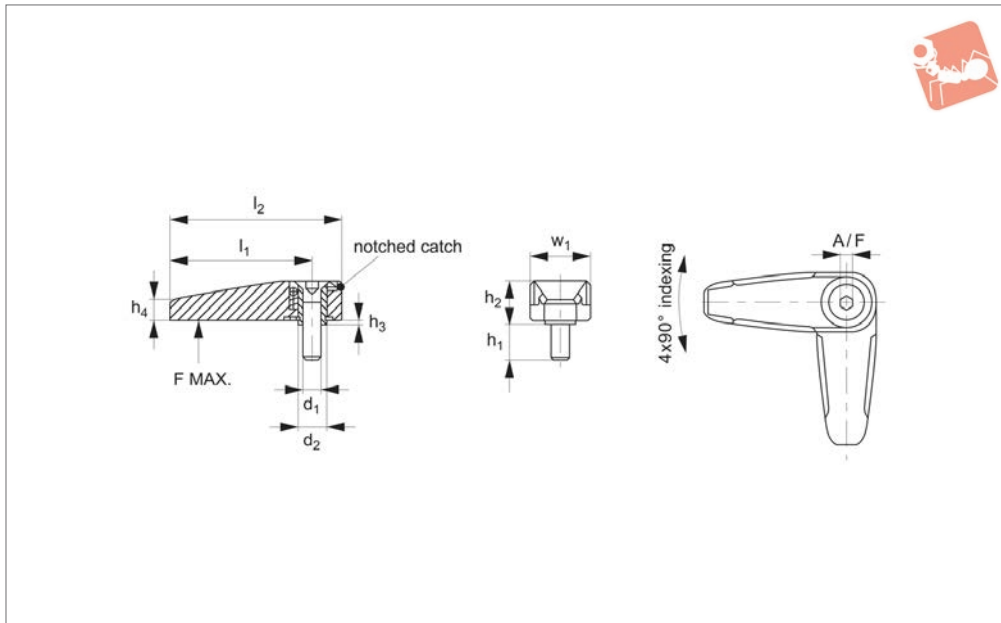
Dry powdered metal.

**Technical Notes**

Not suitable for welding. Secure by using pins.

Order No.	Type	d <sub>1</sub>	d <sub>2</sub> tol. H8	d <sub>3</sub>	b <sub>1</sub>	b <sub>2</sub>	b <sub>3</sub>	b <sub>4</sub>	Weight g
36820.W0008	Lock-right	35	8	18	15	7	3	7.0	30
36820.W0010	Lock-right	35	10	18	15	7	3	7.0	31
36820.W0012	Lock-right	65	12	23	20	10	5	7.2	103
36820.W0016	Lock-right	80	16	27	24	12	6	8.8	174
36820.W0108	Lock-left	35	8	18	15	7	3	7.0	34
36820.W0110	Lock-left	35	10	18	15	7	3	7.0	31
36820.W0112	Lock-left	65	12	23	20	10	5	7.2	103
36820.W0116	Lock-left	80	16	27	24	12	6	8.8	175





**73900**

RETAINING CATCHES

**Material**

Body: die cast zinc, black coated to RAL 9005 or silver coated to RAL 9006.  
Fixing screw: stainless steel A2.

Inner parts: dry powdered metal.

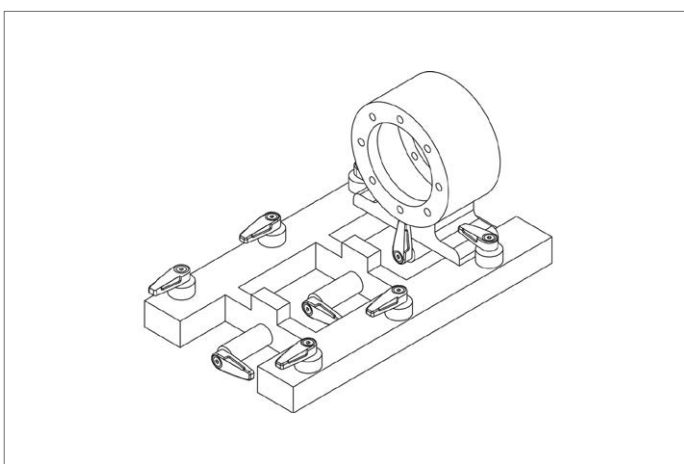
**Technical Notes**

Quick retaining catch with positive index-

ing. Ideal for retaining doors, panels as well as for retaining parts during transportation.

Retaining catch is indexed 4x90°.

Order No.	Colour	d <sub>1</sub>	d <sub>2</sub>	l <sub>1</sub>	l <sub>2</sub>	h <sub>1</sub>	h <sub>2</sub>	h <sub>3</sub>	h <sub>4</sub>	Load F N max.	w <sub>1</sub>	A/F	Weight g
73900.W0101	Silver	M 6	9	45	55	12	13.3	0.8	6.5	500	19.0	4	59
73900.W0102	Black	M 6	9	45	55	12	13.3	0.8	6.5	500	19.0	4	59
73900.W0151	Silver	M 8	14	65	78	14	15.8	0.8	9.0	1000	25.2	5	136
73900.W0152	Black	M 8	14	65	78	14	15.8	0.8	9.0	1000	25.2	5	136



# 73900

Knobs, Handles & Handwheels

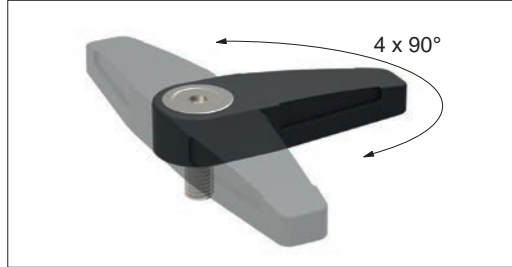


## Retaining Catches

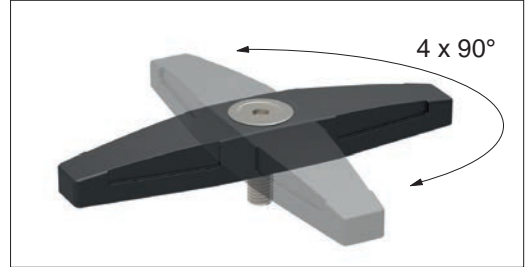


- Locking of panels and covers.
- Securing components during transport.
- Sturdy, solid design.
- Double sided model available.
- Indexes at 4 x 90°.

### Models

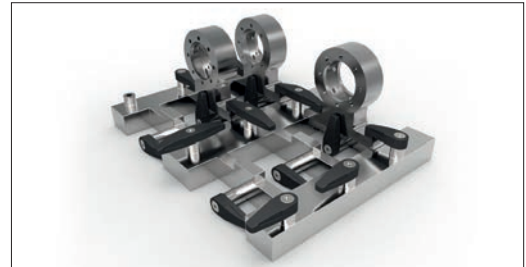
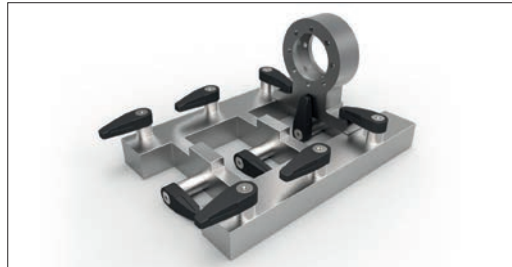


Single side



Double side

### Applications

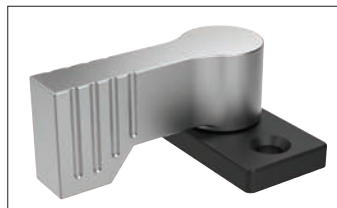


# 73906

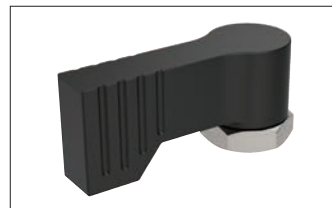
## Retaining Catches

- Locking of drawers.
- Securing of panels and covers.
- Simple operation.
- Indexes at 4 x 90°.
- Three mounting options.

### Mounting options



Flange



Female thread



Male thread

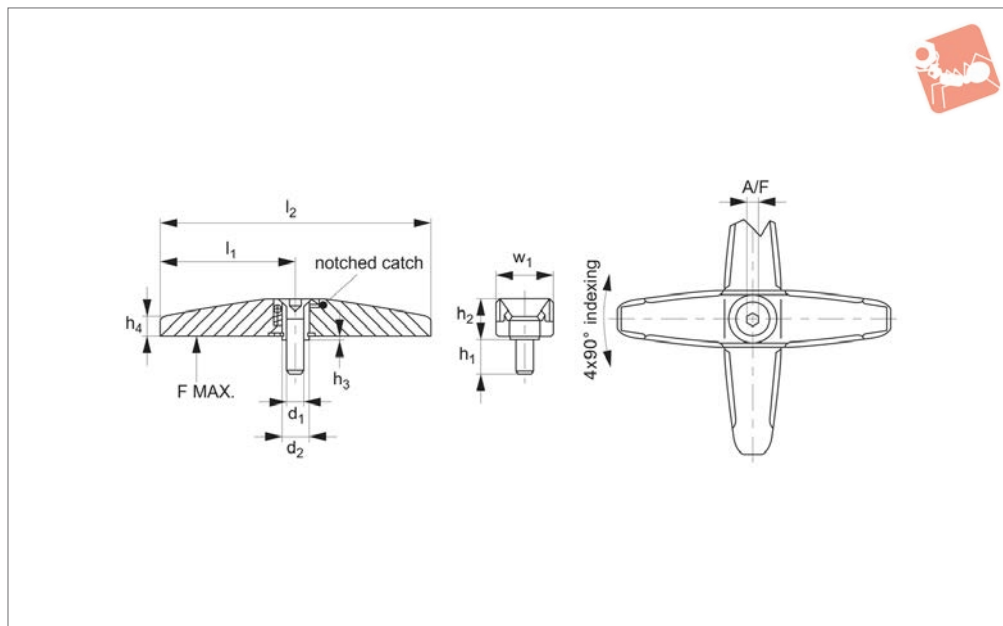
### Applications





# Retaining Catches

double-sided



**73902**

RETAINING CATCHES

**Material**

Body: die cast zinc, black coated to RAL 9005 or silver coated to RAL 9006.  
Fixing screw: stainless steel A2.

Inner parts: dry powdered metal.

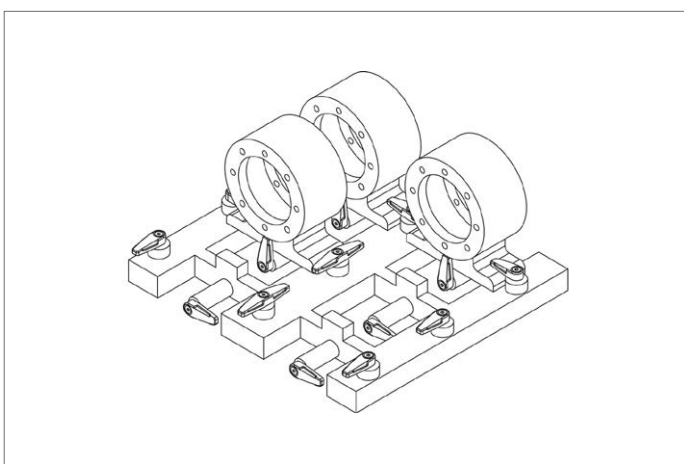
**Technical Notes**

Quick retaining catch with positive index-

ing. Ideal for retaining doors, panels as well as for retaining parts during transportation.

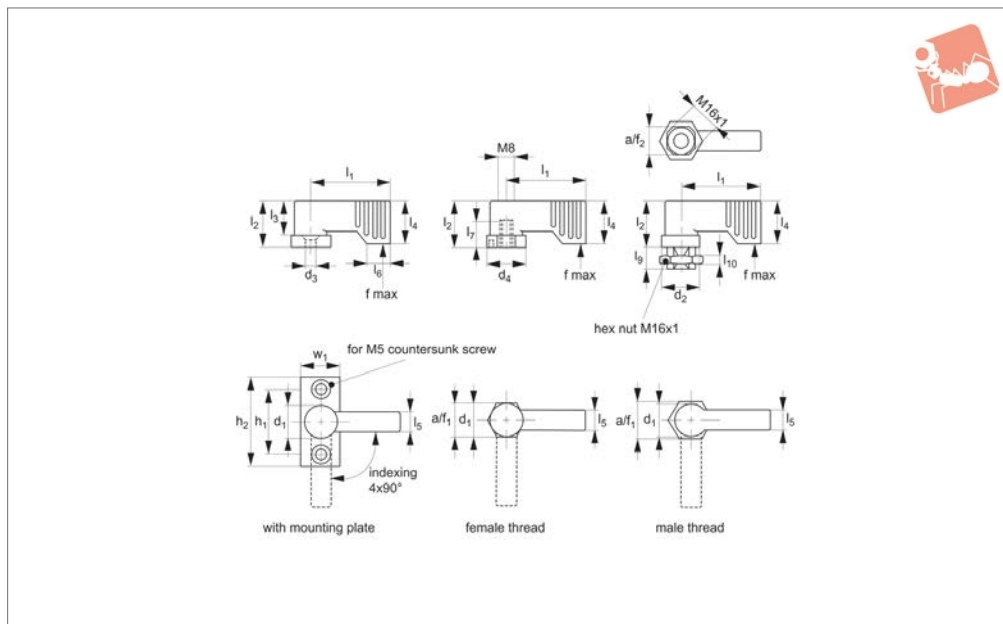
Retaining catch is indexed 4x90°.

Order No.	Colour	d <sub>1</sub>	d <sub>2</sub>	l <sub>1</sub>	l <sub>2</sub>	h <sub>1</sub>	h <sub>2</sub>	h <sub>3</sub>	h <sub>4</sub>	Load F N max.	w <sub>1</sub>	A/F	Weight g
73902.W0601	Silver	M 6	9	45	90	12	13.3	0.8	6.5	500	19.0	4	93
73902.W0602	Black	M 6	9	45	90	12	13.3	0.8	6.5	500	19.0	4	93
73902.W0651	Silver	M 8	14	65	130	14	15.8	0.8	9.0	1000	25.2	5	220
73902.W0652	Black	M 8	14	65	130	14	15.8	0.8	9.0	1000	25.2	5	220





## 73906



### Material

Lever: die-cast Zinc, plastic coated silver (RAL9006) or black (RAL 9005) matte finish.

Flange: die-cast Zinc, plastic coated, black.

as a support during transports etc. The retaining catch indexes at 4x90°.

### Technical Notes

To be used for locking doors, drawers and

Order No.	Colour	Type	d <sub>1</sub>	d <sub>2</sub>	d <sub>3</sub>	d <sub>4</sub> ≈	d <sub>5</sub>	d <sub>6</sub> tol. H11	l <sub>1</sub>	l <sub>2</sub> ≈	l <sub>3</sub>	l <sub>4</sub> min.	Weight g
73906.W0201	Silver	Mounting Plate	17	-	5.3	-	-	-	40	22	16.5	21.5	20
73906.W0202	Black	Mounting Plate	17	-	5.3	-	-	-	40	22	16.5	21.5	20
73906.W0232	Black	Female Thread	17	-	-	20	7	2	40	22	16.5	21.5	30
73906.W0262	Black	Male Thread	17	19	-	-	-	-	40	22	16.5	21.5	50
73906.W0231	Silver	Female Thread	17	-	-	20	7	2	40	22	16.5	21.5	30
73906.W0261	Silver	Male Thread	17	19	-	-	-	-	40	22	16.5	21.5	50

Order No.	l <sub>5</sub>	l <sub>6</sub>	l <sub>7</sub>	l <sub>8</sub>	l <sub>9</sub>	l <sub>10</sub>	h <sub>1</sub>	h <sub>2</sub>	w <sub>1</sub>	A/F <sub>1</sub>	A/F <sub>2</sub>	Load f max. N
73906.W0201	10	11	-	-	-	-	32	45	20	-	-	450
73906.W0202	10	11	-	-	-	-	32	45	20	-	-	450
73906.W0232	10	11	11	4	-	-	-	-	-	17	-	450
73906.W0262	10	11	-	-	9	3	-	-	-	19	14	450
73906.W0231	10	11	11	4	-	-	-	-	-	17	-	450
73906.W0261	10	11	-	-	9	3	-	-	-	19	14	450