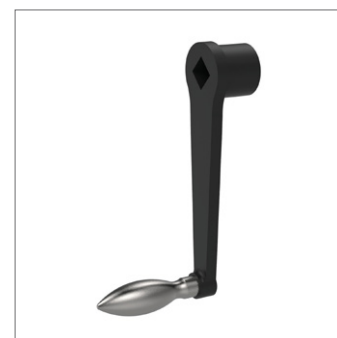
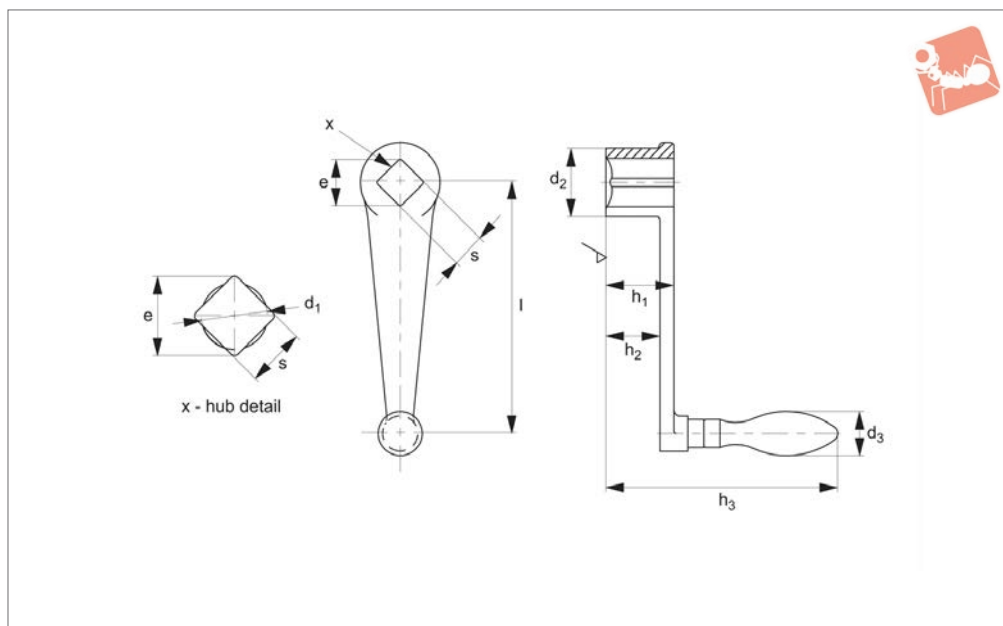


# Cranked Handles

straight - DIN 469



**75200**

CRANKED & REVOLVING HANDLES

### Material

Size 63 - malleable cast iron.

Size 80-250 - nodular cast iron.

Deburred, sand blasted and black plastic

coated.

Handle body: cast iron (GTW), plastic coated, black.

For corresponding handle details see

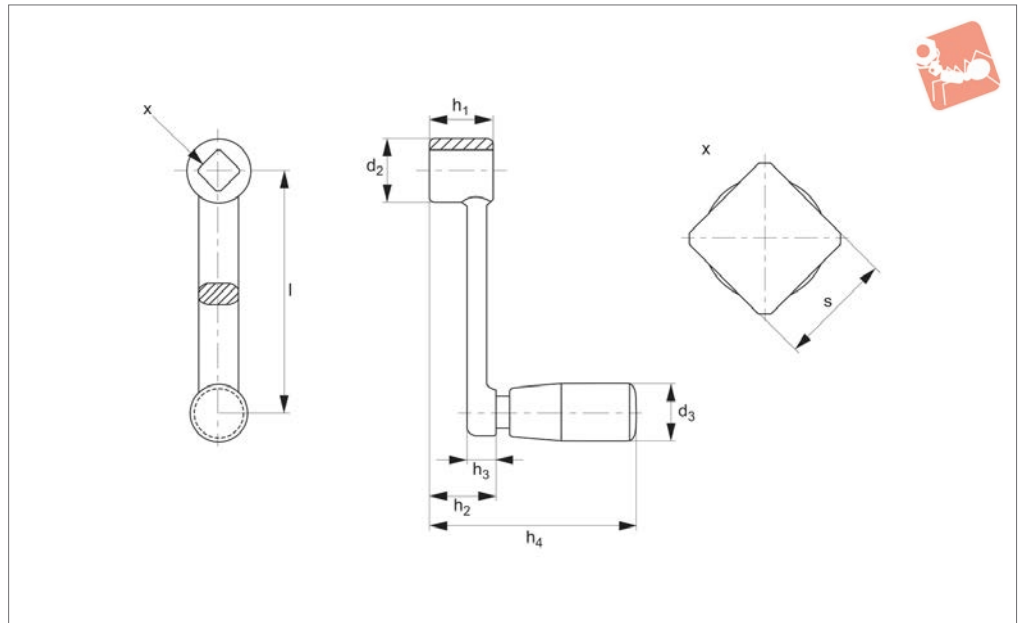
no.75060 (non-removable).

Hub-machined, with square bore details to DIN 79.

Order No.	Finish	Size l	s tol. H11	e min.	d <sub>1</sub>	d <sub>2</sub>	h <sub>1</sub>	h <sub>2</sub> ≈	h <sub>3</sub>	Corresp. handle dia. d <sub>3</sub>	Weight g
75200.W0006	Fixed Handle	63	10	13.1	10.5	20	20	15	74	16	109
75200.W0008	Fixed Handle	80	10	13.1	10.5	24	24	18	94	18	183
75200.W0010	Fixed Handle	100	12	16.1	12.6	28	28	21	98	20	278
75200.W0012	Fixed Handle	125	14	18.1	14.7	34	34	26	120	22	444
75200.W0016	Fixed Handle	160	17	22.2	17.9	38	38	29	122	25	649
75200.W0020	Fixed Handle	200	19	25.2	20.0	44	44	34	154	28	962
75200.W0025	Fixed Handle	250	22	28.2	23.1	48	48	36	157	32	1360
75200.W0108	Fixed Handle	80	12	16.1	12.6	24	24	18	94	18	186
75200.W0110	Fixed Handle	100	14	18.1	14.7	28	28	21	98	20	259
75200.W0112	Fixed Handle	125	17	22.2	17.9	34	34	26	120	22	433
75200.W0116	Fixed Handle	160	19	25.2	20.0	38	38	29	122	25	633
75200.W0120	Fixed Handle	200	22	28.2	23.1	44	44	34	154	28	983
75200.W0125	Fixed Handle	250	24	32.2	25.3	48	48	36	157	32	1351
75200.W0506	Rotating Handle	63	10	13.1	10.5	20	20	15	79	16	118
75200.W0508	Rotating Handle	80	10	13.1	10.5	24	24	18	97	18	194
75200.W0510	Rotating Handle	100	12	16.1	12.6	28	28	21	100	20	272
75200.W0512	Rotating Handle	125	14	18.1	14.7	34	34	26	122	22	468
75200.W0516	Rotating Handle	160	17	22.2	17.9	38	38	29	126	25	667
75200.W0520	Rotating Handle	200	19	25.2	20.0	44	44	34	160	28	1054
75200.W0525	Rotating Handle	250	22	28.2	23.1	48	48	36	162	32	1441
75200.W0608	Rotating Handle	80	12	16.1	12.6	24	24	18	97	18	197
75200.W0610	Rotating Handle	100	14	18.1	14.7	28	28	21	100	20	280
75200.W0612	Rotating Handle	125	17	22.2	17.9	34	34	26	122	22	433
75200.W0616	Rotating Handle	160	19	25.2	20.0	38	38	29	126	25	651
75200.W0620	Rotating Handle	200	22	28.2	23.1	44	44	34	160	28	992
75200.W0625	Rotating Handle	250	24	32.2	25.3	48	48	36	162	32	1409



**75202**



CRANKED & REVOLVING HANDLES

**Material**

Handle body: stainless steel 1.4308.

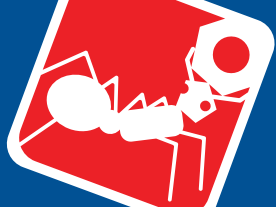
Cylindrical handle: Thermoset PF 31, black.

Axe part: stainless steel 1.4301.

**Technical Notes**

Flat side of the hub is machined.

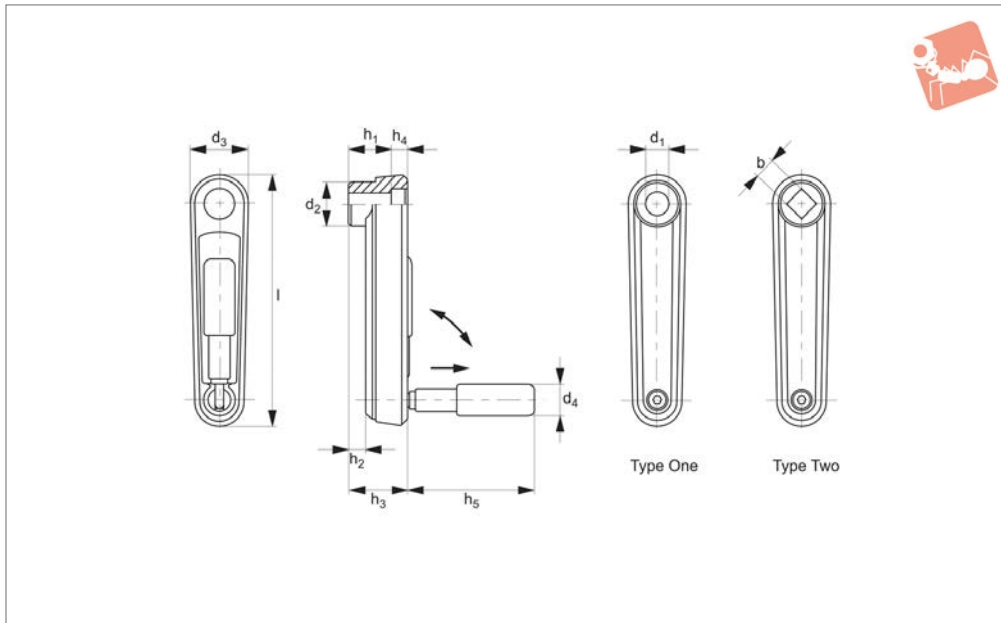
Order No.	l	s tol. H11	d <sub>2</sub>	d <sub>3</sub> cylinder-grip 75120	h <sub>1</sub>	h <sub>2</sub> ≈	h <sub>3</sub>	h <sub>4</sub> ≈	Weight g
75202.W0520	80	10	22	18	22	15.4	6.6	57.9	124
75202.W0530	100	12	22	21	26	17.7	8.3	70.2	187
75202.W0540	125	14	28	23	28	18.8	9.2	86.3	320
75202.W0550	160	17	32	23	32	22.6	9.4	90.1	370



# Cranked Handles

folding handle

# Cranked & Revolving



## 75210

CRANKED & REVOLVING HANDLES

### Material

Axle: Steel, blackened.

Cover: plastic, grey.

Body: Aluminium, plastic coated, structural matt.

Silver - similar RAL 9006

Black - similar RAL9005

Handle: Plastic, black matt.

### Technical Notes

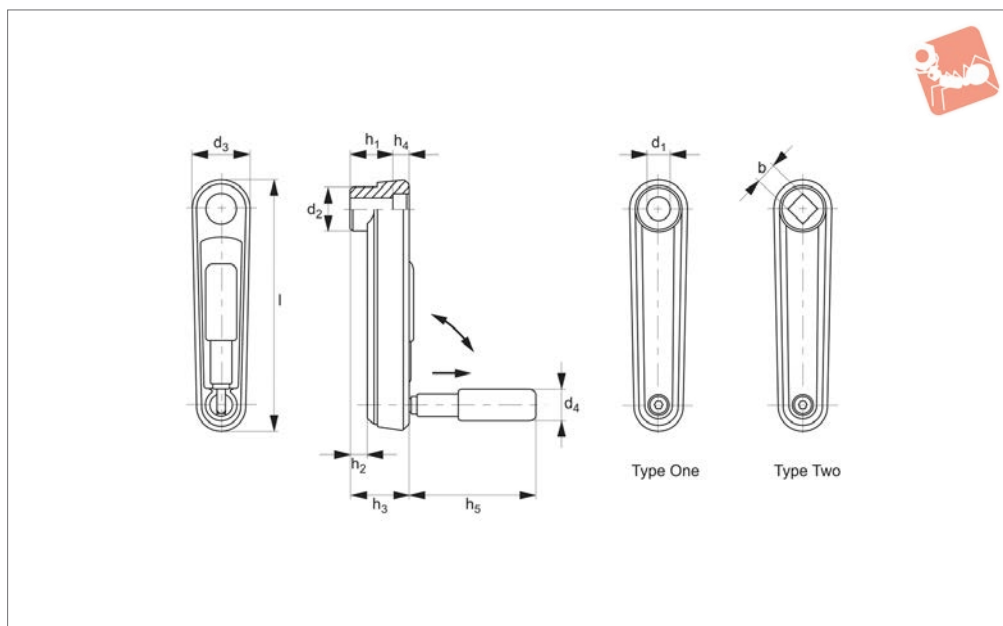
Operating: Handle is locked in position.

To store: Pull handle along axis and lift into locked position.

Order No.	Type, colour	b tol. H11	d <sub>1</sub> tol. H7	d <sub>2</sub>	d <sub>3</sub>	d <sub>4</sub> dia.	h <sub>1</sub>	h <sub>2</sub>	h <sub>3</sub>	h <sub>4</sub>	h <sub>5</sub>	Weight g
75210.W0005	One, silver	-	10	23.0	30	16	19.5	4.0	25.5	4.3	43.0	131
75210.W0010	One, silver	-	12	26.7	35	18	23.5	5.5	29.5	4.2	57.5	180
75210.W0015	One, silver	-	14	28.0	37	24	30.5	10.5	36.5	4.2	76.5	305
75210.W0105	One, black	-	10	23.0	30	16	19.5	4.0	25.5	4.3	43.0	131
75210.W0110	One, black	-	12	26.7	35	18	23.5	5.5	29.5	4.2	57.5	180
75210.W0115	One, black	-	14	28.0	37	24	30.5	10.5	36.5	4.2	76.5	305
75210.W0205	Two, silver	10	-	23.0	30	16	19.5	4.0	25.5	4.3	43.0	131
75210.W0210	Two, silver	12	-	26.7	35	18	23.5	5.5	29.5	4.2	57.5	180
75210.W0215	Two, silver	14	-	28.0	37	24	30.5	10.5	36.5	4.2	76.5	280
75210.W0305	Two, black	10	-	23.0	30	16	19.5	4.0	25.5	4.3	43.0	131
75210.W0310	Two, black	12	-	26.7	35	18	23.5	5.5	29.5	4.2	57.5	180
75210.W0315	Two, black	14	-	28.0	37	24	30.5	10.5	36.5	4.2	76.5	280



## 75212



### Material

Axle: Stainless steel 1.4305.

Cover: plastic, grey.

Body: Aluminium, plastic coated, structural matt.

Silver - similar RAL 9006

Black - similar RAL9005

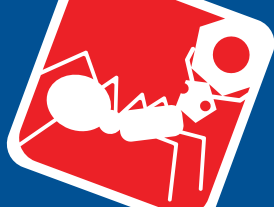
Handle: Plastic, black matt.

### Technical Notes

Operating: Handle is locked in position.

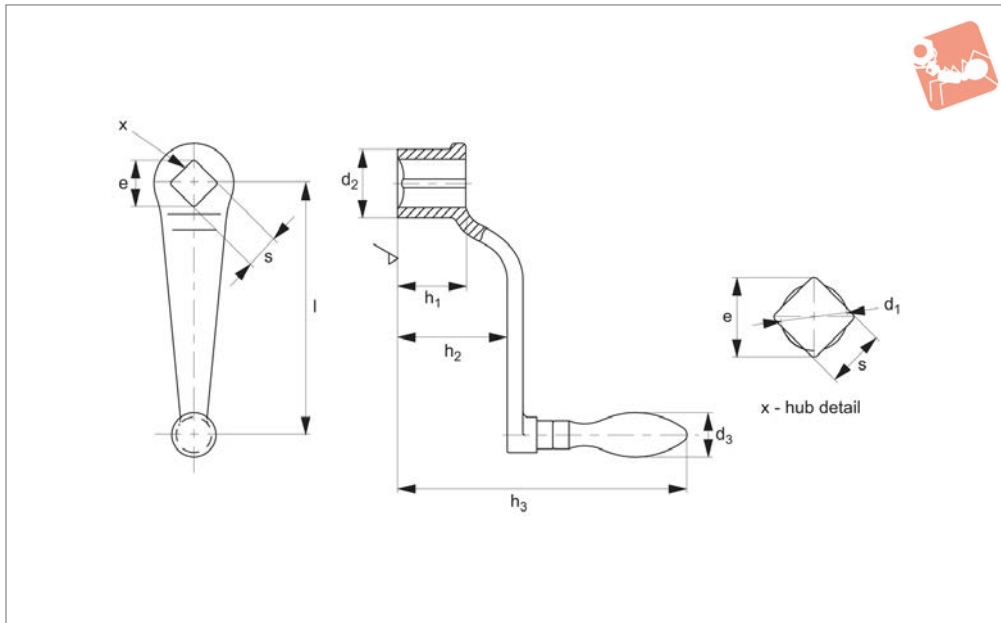
To store: Pull handle along axis and lift into locked position.

Order No.	Type, colour	b tol. H11	$d_1$ tol. H7	$d_2$	$d_3$	$d_4$ dia.	$h_1$	$h_2$	$h_3$	$h_4$	$h_5$	Weight g
75212.W0405	One, silver	-	10	23.0	30	16	19.5	4.0	25.5	4.3	43.0	118
75212.W0410	One, silver	-	12	26.7	35	18	23.5	5.5	29.5	4.2	57.5	197
75212.W0415	One, silver	-	14	28.0	37	24	30.5	10.5	36.5	4.2	76.5	283
75212.W0505	One, black	-	10	23.0	30	16	19.5	4.0	25.5	4.3	43.0	118
75212.W0510	One, black	-	12	26.7	35	18	23.5	5.5	29.5	4.2	57.5	197
75212.W0515	One, black	-	14	28.0	37	24	30.5	10.5	36.5	4.2	76.5	283
75212.W0605	Two, silver	10	-	23.0	30	16	19.5	4.0	25.5	4.3	43.0	118
75212.W0606	Two, silver	12	-	26.7	35	18	23.5	5.5	29.5	4.2	57.5	197
75212.W0607	Two, silver	14	-	28.0	37	24	30.5	10.5	36.5	4.2	76.5	283
75212.W0705	Two, black	10	-	23.0	30	16	19.5	4.0	25.5	4.3	43.0	118
75212.W0710	Two, black	12	-	26.7	35	18	23.5	5.5	29.5	4.2	57.5	197
75212.W0715	Two, black	14	-	28.0	37	24	30.5	10.5	36.5	4.2	76.5	283



# Cranked Handles

offset - DIN 468



**75220**

CRANKED & REVOLVING HANDLES

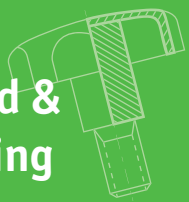
**Material**

Size 63 - malleable cast iron.  
 Size 80-250 - nodular cast iron.  
 Deburred, sand blasted and black plastic

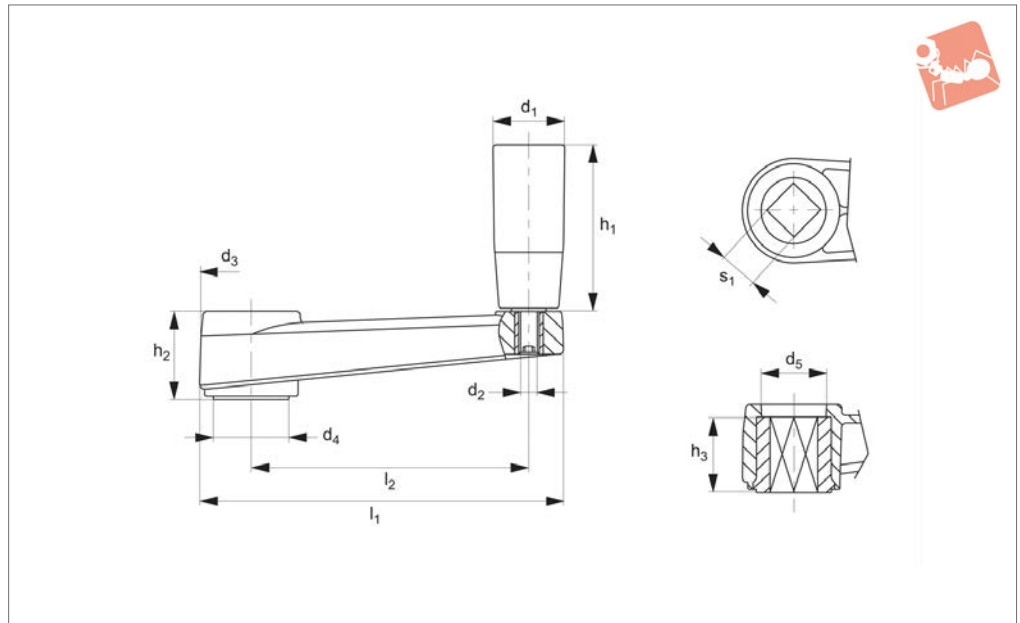
coated.  
 Handle body: cast iron (GTW), plastic coated, black.  
 For corresponding handle details see

no.75060 (non-removable).  
 Hub-machined, with square bore details to DIN 79.

Order No.	Finish	Size l	s tol. H11	e min.	d <sub>1</sub>	d <sub>2</sub>	h <sub>1</sub>	h <sub>2</sub> ≈	h <sub>3</sub>	Corresp. handle dia. d <sub>3</sub>	Weight g
75220.W0006	Fixed Handle	63	10	13.1	10.5	20	20	32	92	16	112
75220.W0008	Fixed Handle	80	10	13.1	10.5	24	24	38	114	18	187
75220.W0010	Fixed Handle	100	12	16.1	12.6	28	28	48	124	20	288
75220.W0012	Fixed Handle	125	14	18.1	14.7	34	34	55	148	22	460
75220.W0016	Fixed Handle	160	17	22.2	17.9	38	38	65	158	25	661
75220.W0020	Fixed Handle	200	19	25.2	20.0	44	44	78	197	28	1020
75220.W0025	Fixed Handle	250	22	28.2	23.1	48	48	90	209	32	1438
75220.W0108	Fixed Handle	80	12	16.1	12.6	24	24	38	114	18	183
75220.W0110	Fixed Handle	100	14	18.1	14.7	28	28	48	124	20	292
75220.W0112	Fixed Handle	125	17	22.2	17.9	34	34	55	148	22	439
75220.W0116	Fixed Handle	160	19	25.2	20.0	38	38	65	158	25	627
75220.W0120	Fixed Handle	200	22	28.2	23.1	44	44	78	197	28	1004
75220.W0125	Fixed Handle	250	24	32.2	25.3	48	48	90	209	32	1415
75220.W0130	Fixed Handle	315	24	32.2	25.3	54	54	105	192	36	2200
75220.W0132	Fixed Handle	315	27	36.2	28.4	54	54	105	192	36	2100
75220.W0506	Rotating Handle	63	10	13.1	10.5	20	20	32	96	16	118
75220.W0508	Rotating Handle	80	10	13.1	10.5	24	24	38	116	18	201
75220.W0510	Rotating Handle	100	12	16.1	12.6	28	28	48	126	20	310
75220.W0512	Rotating Handle	125	14	18.1	14.7	34	34	55	150	22	464
75220.W0516	Rotating Handle	160	17	22.2	17.9	38	38	65	160	25	674
75220.W0520	Rotating Handle	200	19	25.2	20.0	44	44	78	202	28	1083
75220.W0525	Rotating Handle	250	22	28.2	23.1	48	48	90	214	32	1497
75220.W0608	Rotating Handle	80	12	16.1	12.6	24	24	38	116	18	200
75220.W0610	Rotating Handle	100	14	18.1	14.7	28	28	48	126	20	291
75220.W0612	Rotating Handle	125	17	22.2	17.9	34	34	55	150	22	455
75220.W0616	Rotating Handle	160	19	25.2	20.0	38	38	65	160	25	664
75220.W0620	Rotating Handle	200	22	28.2	23.1	44	44	78	202	28	1034
75220.W0625	Rotating Handle	250	24	32.2	25.3	48	48	90	214	32	1478
75220.W0630	Rotating Handle	315	24	32.2	25.3	54	54	105	186	36	2220
75220.W0632	Rotating	315	27	36.2	28.4	54	54	105	186	36	2200



## 75240



### Material

Thermoplastic, black, matt. Glass fibre reinforced. Revolving handle.  
Revolving grip: duroplast, black.

Handle arm: thermoplastic, black matte.

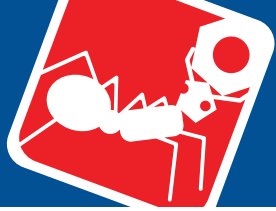
### Technical Notes

Special inch and metric bars, keyways, set

screw holes etc. available on request.

Corresponding machine handles are part number 75120.

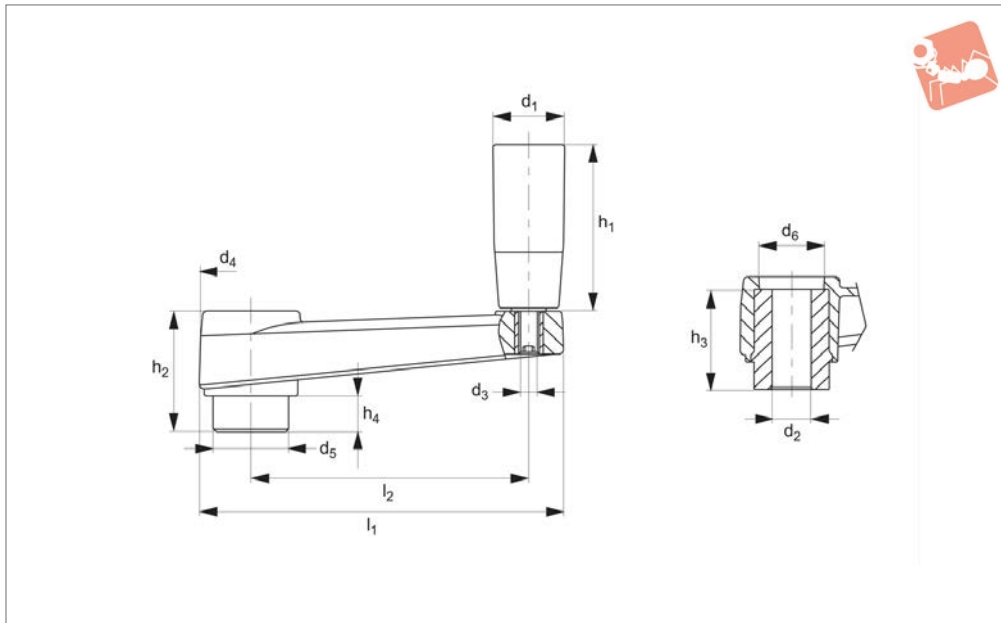
Order No.	d <sub>1</sub>	d <sub>2</sub>	d <sub>3</sub>	d <sub>4</sub>	d <sub>5</sub>	h <sub>1</sub>	h <sub>2</sub>	h <sub>3</sub>	l <sub>1</sub>	l <sub>2</sub>	s <sub>1</sub>	Weight g
75240.W0065	17	M 6	27	18	16	40	23	20	87	65	8x8	77
75240.W0080	21	M 6	30	22	19	50	26	22	105	80	10x10	120
75240.W0100	25	M 8	34	24	22	65	30	27	128	100	12x12	293
75240.W0130	28	M 8	40	28	25	85	35	30	162	130	14x14	236
75240.W0160	28	M10	45	34	28	85	40	34	196	160	17x17	369



# Cranked Handles with rotating grip



## Cranked & Revolving



**75260**

CRANKED & REVOLVING HANDLES

### Material

Thermoplast, black, matt. Glass fibre reinforced.

Revolving grip: duroplast, black.

Handle arm: thermoplast, black matte.

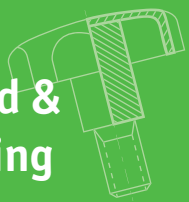
### Technical Notes

Special inch and metric bars, keyways, set

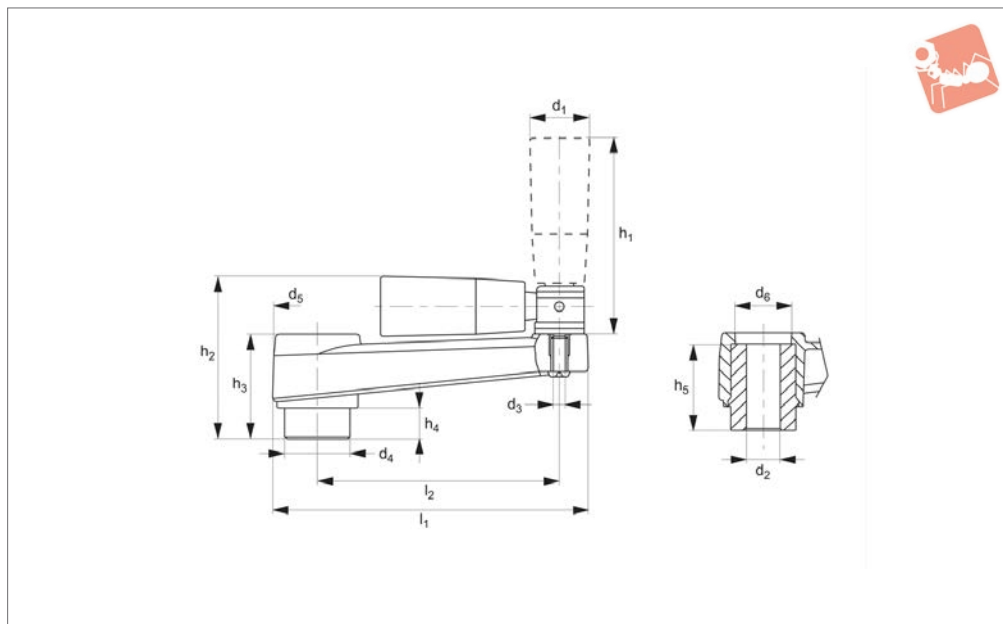
screw holes etc. available on request.

Circular bore.

Order No.	d <sub>1</sub>	d <sub>2</sub>	d <sub>3</sub>	d <sub>4</sub>	d <sub>5</sub>	d <sub>6</sub>	h <sub>1</sub>	h <sub>2</sub>	h <sub>3</sub>	h <sub>4</sub>	l <sub>1</sub>	l <sub>2</sub>	Weight g
75260.W0065	10	8	M 6	27	18	16	40	33	30	17	87	65	92
75260.W0080	10	10	M 6	30	22	19	50	36	32	21	105	80	144
75260.W0100	10	12	M 8	34	24	22	65	40	37	25	128	100	232
75260.W0130	14	14	M 8	40	28	25	85	49	44	28	162	130	327
75260.W0160	15	16	M10	45	34	28	85	55	49	28	196	160	510



## 75280



### Material

Thermoplastic, black, matt. Glass fibre reinforced. Fold-away revolving handle. Revolving grip: duroplast, black.

Handle arm: thermoplastic, black matte.

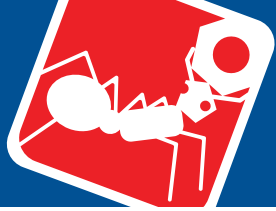
screw holes etc available on request. Circular bore.

### Technical Notes

Special inch and metric bars, keyways, set

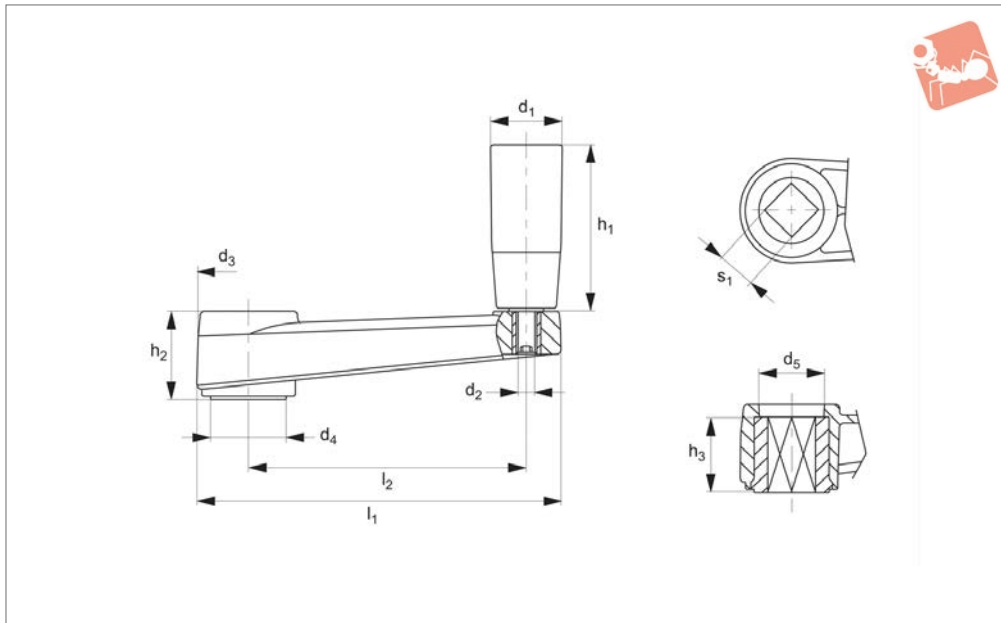
Order No.	d <sub>1</sub>	d <sub>2</sub>	d <sub>3</sub>	d <sub>4</sub>	d <sub>5</sub>	d <sub>6</sub>	h <sub>1</sub>	h <sub>2</sub>	h <sub>3</sub>	h <sub>4</sub>	h <sub>5</sub>	l <sub>1</sub>	l <sub>2</sub>	Weight g
75280.W0080	10	10	M 5	22	30	19	50	55	36	21	32	105	80	166
75280.W0100	10	12	M 6	24	34	22	70	65	40	23	37	128	100	241
75280.W0130	14	14	M 6	28	40	25	70	76	49	23	44	162	130	335
75280.W0160	15	16	M 6	34	45	28	90	87	55	26	49	196	160	529





# Cranked Handles with rotating grip

# Cranked & Revolving



**75340**

CRANKED & REVOLVING HANDLES

**Material**

Thermoplastic, black, matt. Glass fibre reinforced. Revolving handle.  
Revolving grip and handle arm: thermoplastic, black matte.

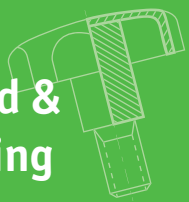
stic, black matte.

screw holes etc. available upon request.

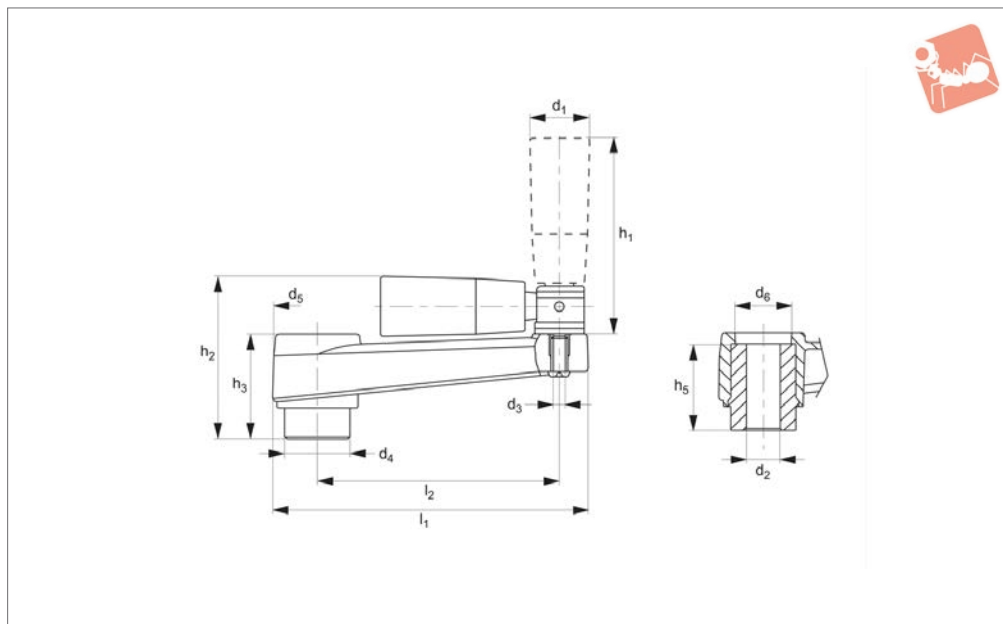
**Technical Notes**

Special inch and metric bores, keyways, set

Order No.	d <sub>1</sub>	d <sub>2</sub>	d <sub>3</sub>	d <sub>4</sub>	d <sub>5</sub>	h <sub>1</sub>	h <sub>2</sub>	h <sub>3</sub>	l <sub>1</sub>	l <sub>2</sub>	s <sub>1</sub>	Weight g
75340.W0065	21	M 6	27	18	16	50	23	20	87	65	8x8	78
75340.W0080	21	M 6	30	22	19	50	26	22	105	80	10x10	102
75340.W0100	23	M 8	34	24	22	70	30	27	128	100	12x12	167
75340.W0130	26	M 8	40	28	25	90	35	30	162	130	14x14	236
75340.W0160	26	M10	45	34	28	90	40	34	196	160	17x17	367



## 75360



### Material

Thermoplastic, black matt. Glass fibre reinforced. With fold-away revolving grip. Revolving grip and handle arm: thermo-

plast, black matte.

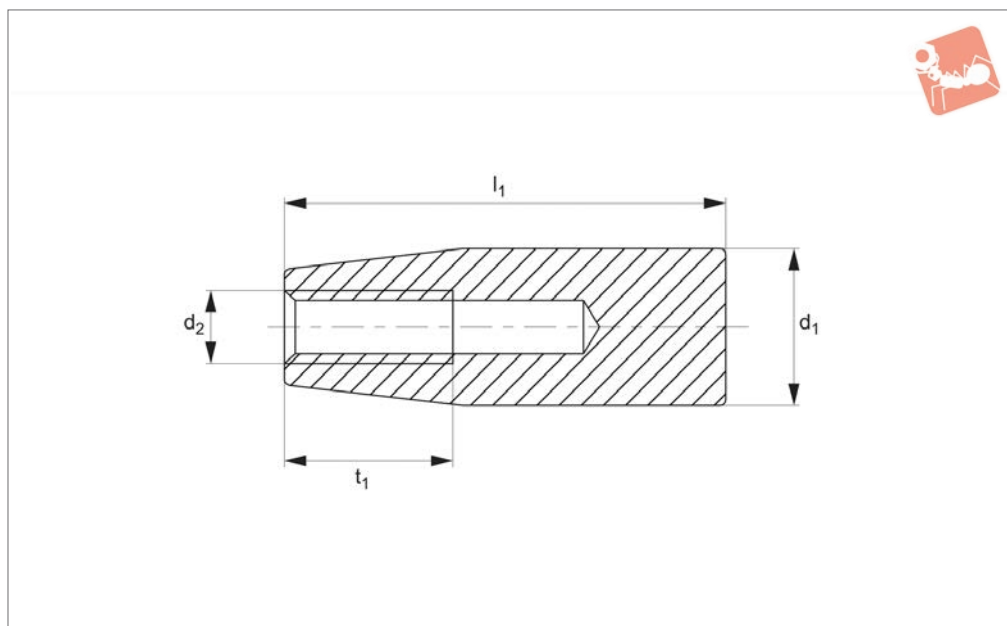
### Technical Notes

Circular bore.

### Tips

Fold-away grip can be retracted after use to ensure safety or where space is limited.

Order No.	d <sub>1</sub>	d <sub>2</sub>	d <sub>3</sub>	d <sub>4</sub>	d <sub>5</sub>	d <sub>6</sub>	h <sub>1</sub>	h <sub>2</sub>	h <sub>3</sub>	h <sub>5</sub>	l <sub>1</sub>	l <sub>2</sub>	Weight g
75360.W0080	10	10	M 5	22	30	19	50	63	36	32	105	80	125
75360.W0100	10	12	M 6	24	34	22	70	72	40	37	128	100	220
75360.W0130	14	14	M 6	28	40	25	70	83	49	44	162	130	312
75360.W0160	15	16	M 6	34	45	28	90	93	55	49	196	160	518



**75010**

CRANKED & REVOLVING HANDLES

### Material

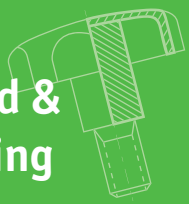
Duroplast, black, moulded thread.

request, subject to minimum order quantity.

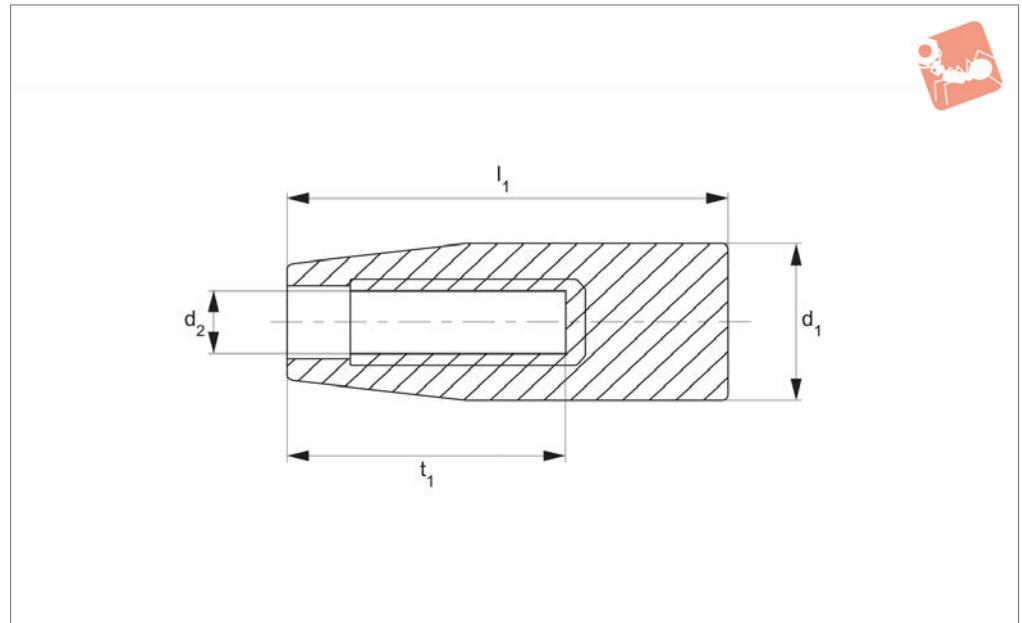
### Technical Notes

Special sizes and colours available on

Order No.	d <sub>1</sub>	d <sub>2</sub>	l <sub>1</sub>	t <sub>1</sub>	Weight g
75010.W0013	13	M 5	27	14	4
75010.W0014	13	M 6	27	14	4
75010.W0017	17	M 6	40	20	9
75010.W0018	17	M 8	40	25	8
75010.W0021	21	M 6	50	25	20
75010.W0022	21	M 8	50	25	19
75010.W0023	21	M10	50	25	18
75010.W0025	25	M 8	65	30	36
75010.W0026	25	M10	65	30	35
75010.W0027	25	M12	65	30	34
75010.W0028	28	M 8	85	40	61
75010.W0029	28	M10	85	40	59
75010.W0030	28	M12	85	40	56
75010.W0031	28	M14	85	40	52



**75012**



**Material**

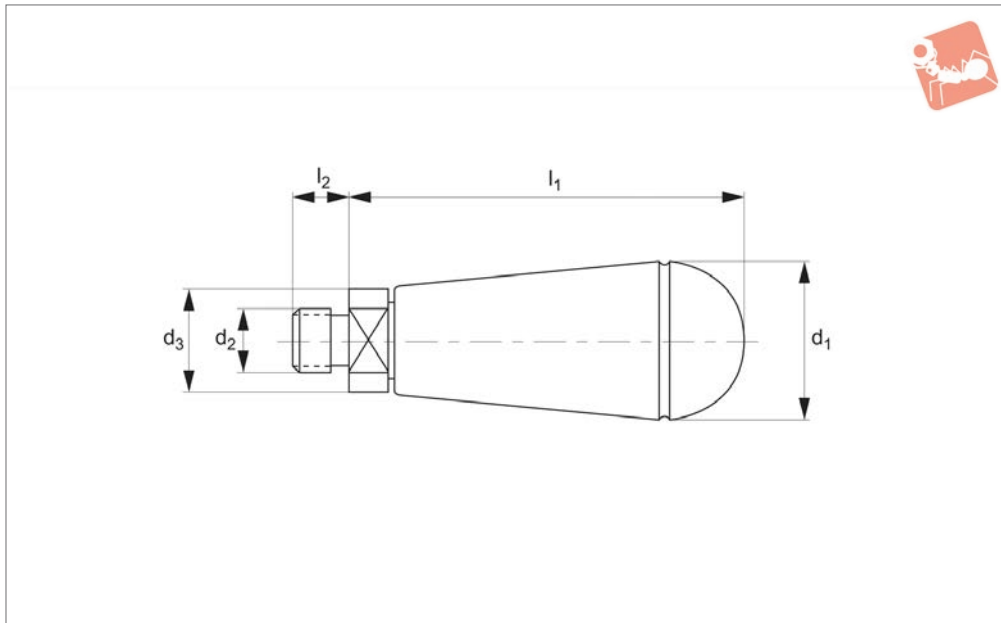
Phenolic plastic, black.

request, subject to minimum order quantity.

**Technical Notes**

Special sizes and colours available on

Order No.	d <sub>1</sub>	d <sub>2</sub>	l <sub>1</sub>	t <sub>1</sub>	Weight g
75012.W1705	17	5	40	21	9
75012.W1706	17	6	40	21	9
75012.W2108	21	8	50	28	20
75012.W2110	21	10	50	28	18
75012.W2308	23	8	55	28	27
75012.W2310	23	10	55	28	25
75012.W2510	25	10	65	30	36
75012.W2512	25	12	65	30	35
75012.W2812	28	12	85	45	58
75012.W2814	28	14	85	45	55
75012.W2912	29	12	115	45	89
75012.W2914	29	14	115	45	84



## 75020

CRANKED & REVOLVING HANDLES

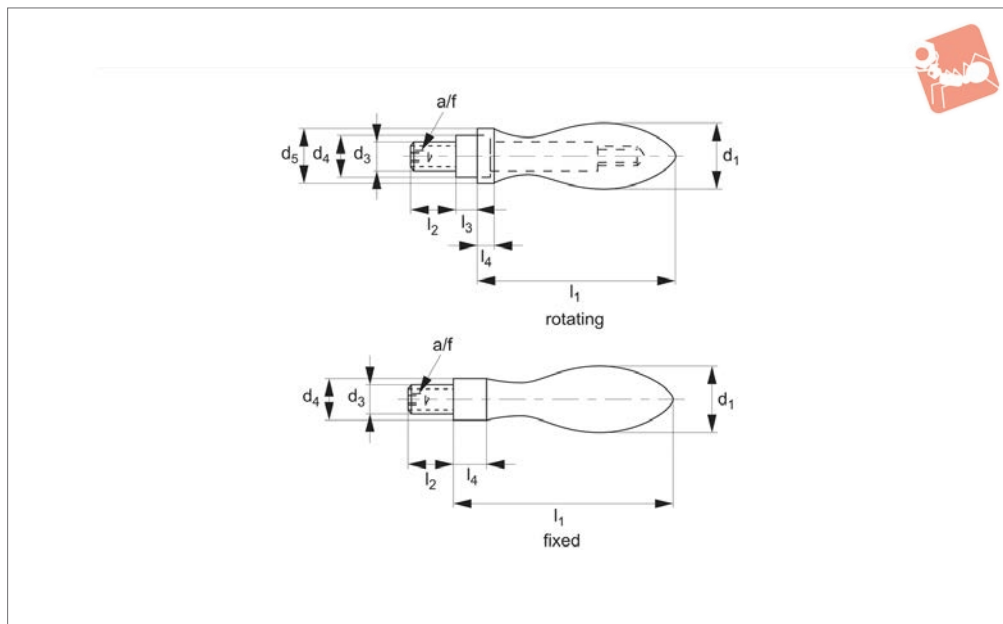
### Material

Black, duroplast, with zinc plated steel stud.

Order No.	d <sub>1</sub>	d <sub>2</sub>	d <sub>3</sub>	l <sub>1</sub>	l <sub>2</sub>	Weight g
75020.W0025	25	M 8	16	61	10	52
75020.W0026	25	M10	16	61	10	55
75020.W0032	32	M10	20	75	13	110
75020.W0033	32	M12	20	75	13	114



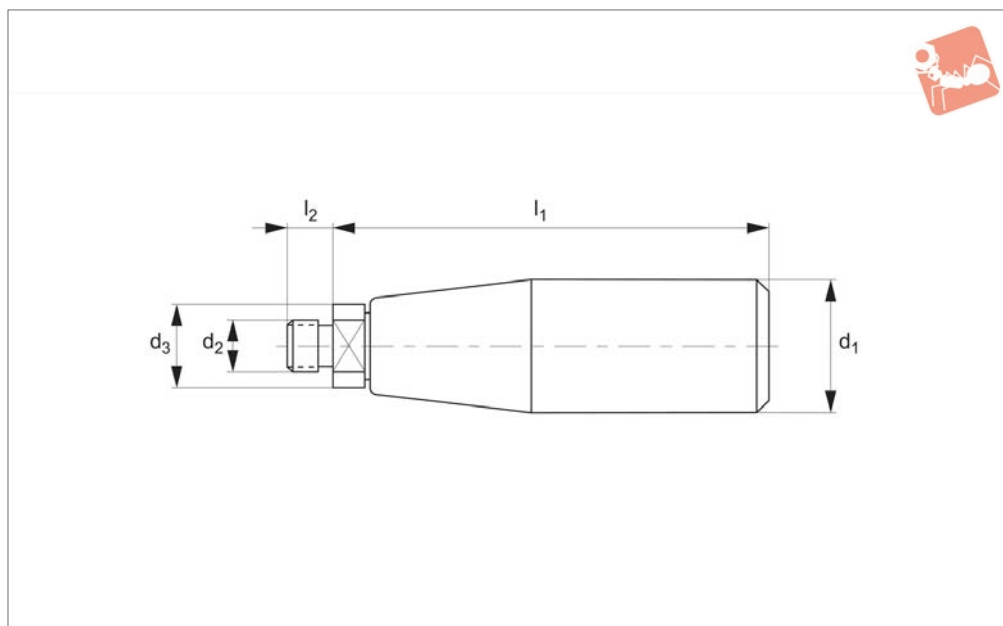
## 75060



### Material

Steel, turned, zinc coated by galvanization, passivated.

Order No.	Type	d <sub>1</sub>	d <sub>3</sub>	d <sub>4</sub> tol. H13	d <sub>5</sub>	l <sub>1</sub> ≈	l <sub>2</sub>	l <sub>3</sub>	l <sub>4</sub>	A/F	Weight g
75060.W0116	Rotating	16	M 6	10	14	49	11	5.5	5.0	3	51
75060.W0120	Rotating	20	M 8	13	18	61	13	6.0	6.0	4	101
75060.W0125	Rotating	25	M10	16	21	75	14	8.0	6.5	5	193
75060.W0132	Rotating	32	M12	20	26	95	21	10.5	8.0	6	387
75060.W0136	Rotating	36	M16	22	29	106	26	11.0	9.0	8	566
75060.W0216	Fixed	16	M 6	10	-	50	11	-	7.0	3	43
75060.W0220	Fixed	20	M 8	13	-	64	13	-	8.0	4	88
75060.W0225	Fixed	25	M10	16	-	80	14	-	10.0	5	175
75060.W0232	Fixed	32	M12	20	-	100	21	-	13.0	6	346
75060.W0236	Fixed	36	M16	22	-	112	26	-	14.0	8	509
75060.W0316	Stainless	16	M 6	10	-	50	11	-	7.0	-	45
75060.W0320	Stainless	20	M 8	13	-	64	13	-	8.0	-	92
75060.W0325	Stainless	25	M10	16	-	80	14	-	10.0	-	186



## 75100

CRANKED & REVOLVING HANDLES

### Material

Black, duroplast. Zinc plated steel stud.

request, subject to minimum order quantity.

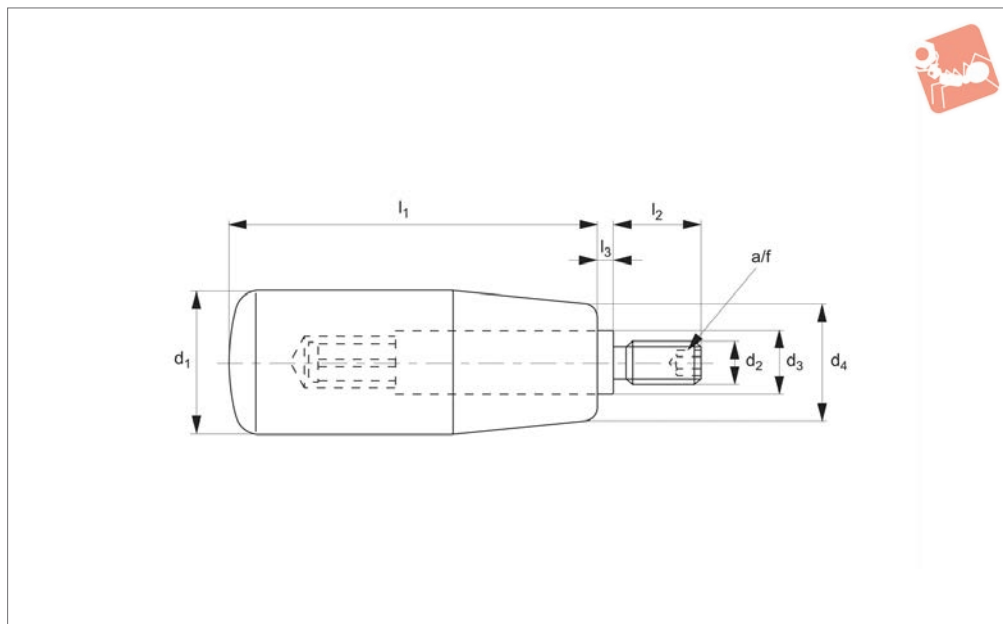
### Technical Notes

Special sizes and colours available on

Order No.	d <sub>1</sub>	d <sub>2</sub>	d <sub>3</sub>	l <sub>1</sub>	l <sub>2</sub>
75100.W0117	17	M_6	12	45	8
75100.W0118	17	M_8	12	45	8
75100.W0121	21	M_8	16	56	10
75100.W0122	21	M10	16	56	10
75100.W0125	25	M_8	18	71	13
75100.W0126	25	M10	18	71	13
75100.W0128	28	M10	20	92	13
75100.W0129	28	M12	20	92	13



## 75120



### Material

Grip: duroplast PF 31, black matte. 75120.  
W0014 - Thermoplastic (PA).

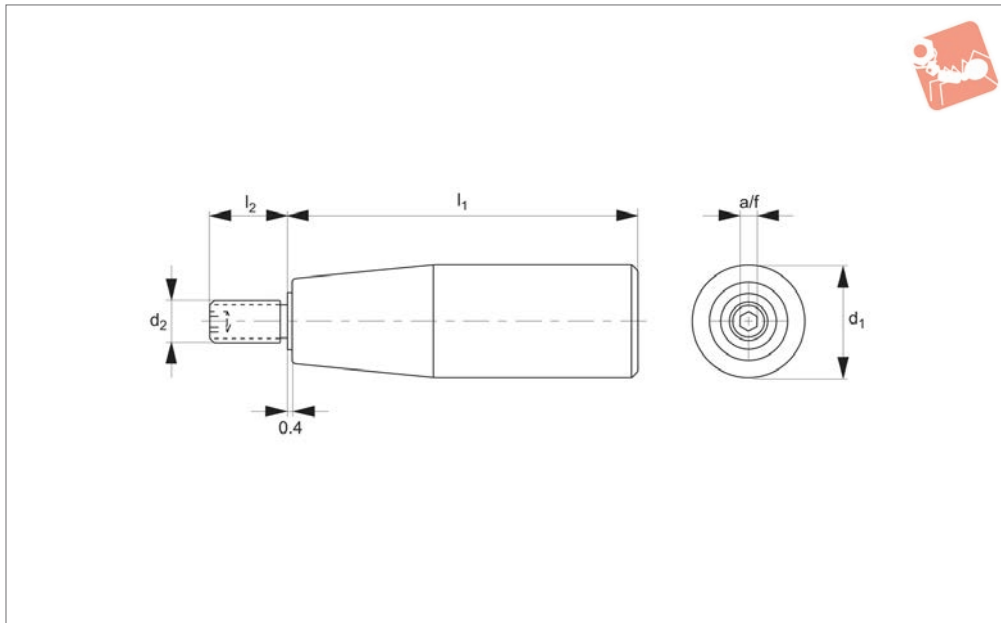
Stud & housing: steel, galvanised.

### Technical Notes

Temperature range up to 80°C.

Order No.	d <sub>1</sub>	d <sub>2</sub>	d <sub>3</sub>	d <sub>4</sub>	l <sub>1</sub>	l <sub>2</sub>	l <sub>3</sub>	A/F	Weight g
75120.W0014	14	M_6	8	11	28	10	0.5	3	13
75120.W0018	18	M_6	10	15	40	12	2.5	3	29
75120.W0020	21	M_6	10	17	50	13	2.5	3	42
75120.W0022	22	M_6	10	18	56	13	2.5	3	47
75120.W0023	23	M_8	13	19	65	14	2.5	4	79
75120.W0026	26	M_8	13	21	80	16	2.5	4	106
75120.W0031	31	M12	14	25	102	20	2.5	6	178
75120.W0120	21	M_8	10	17	50	13	2.5	4	43
75120.W0122	22	M_8	10	18	56	13	2.5	4	48
75120.W0028	28	M10	13	22	90	16	2.5	5	126
75120.W0123	23	M10	13	19	65	14	2.5	5	80
75120.W0126	26	M10	13	21	80	16	2.5	5	108





**75130**

CRANKED & REVOLVING HANDLES

### Material

Grip: duroplast PF 31, black matt.  
Stud & housing: stainless steel, AISI 303.

### Technical Notes

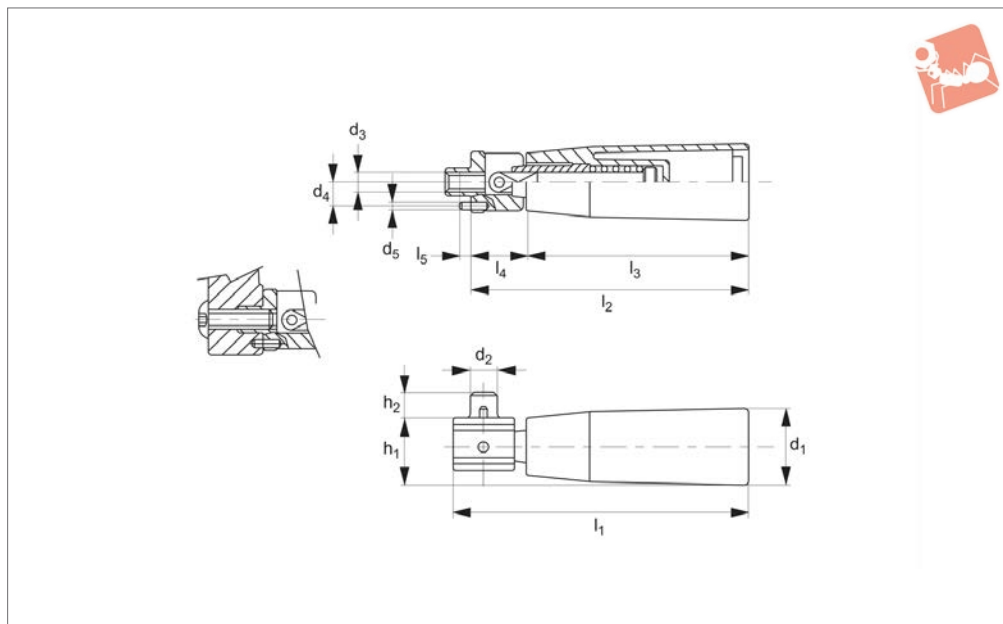
Temperature range 110°C. For certain minimum quantities custom colours

available upon request.

Order No.	$d_1$	$d_2$	$l_1$	$l_2$	A/F	Weight g
75130.W0017	17	M 6	40	13	3	18
75130.W0020	21	M 6	50	13	3	35
75130.W0023	23	M 8	55	14	4	49
75130.W0025	25	M 8	65	15	4	73
75130.W0027	28	M 8	85	15	4	106
75130.W0028	28	M10	85	17	5	110



## 75150



### Material

Steel Type: Grip: thermoplastic, black, matt.

Stud & housing: steel, chrome plated.

Stainless Type: Grip: thermoplastic, black, matte.

Stud & housing: stainless steel, AISI 303. With retractable mechanism.

### Technical Notes

Fold-away handles are ideal for applications where, due to lack of space or for

safety, the handle must be folded down and out of the way. Handle spring loaded for quick return. For certain minimum quantities custom colours available upon request.

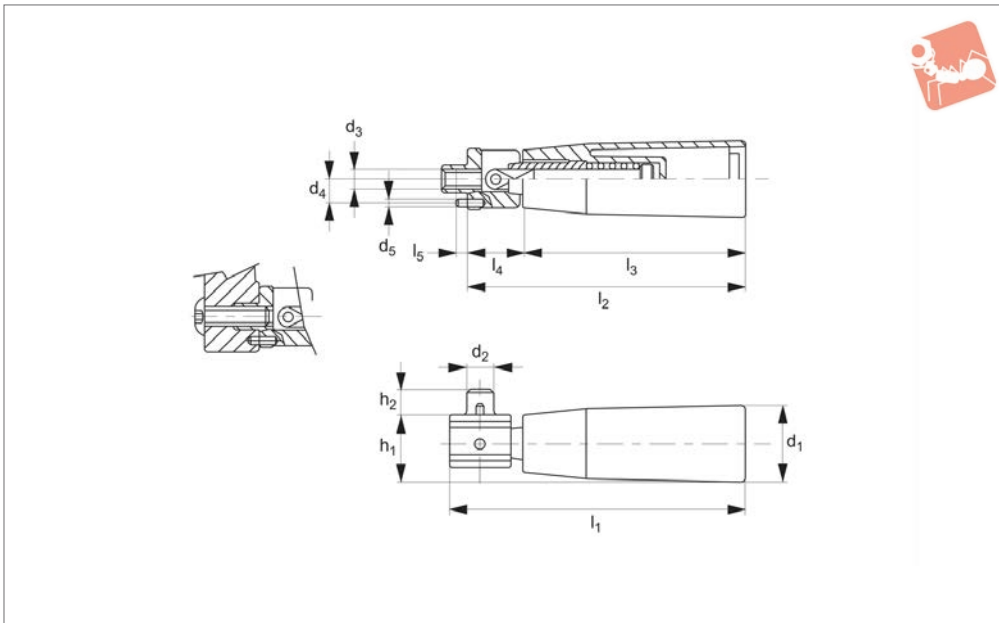
Order No.	Material	d <sub>1</sub>	d <sub>2</sub>	d <sub>3</sub>	d <sub>4</sub>	d <sub>5</sub>	h <sub>1</sub>	h <sub>2</sub>	l <sub>1</sub>	l <sub>2</sub>	l <sub>3</sub>	l <sub>4</sub>	l <sub>5</sub>	Weight g
75150.W0021	Steel	21	7	M 5	6.3	2.5	19	8	69	66.5	50	16.5	4	55
75150.W0023	Steel	23	8	M 6	7.5	2.5	21	8	92	86.5	70	16.5	4	67
75150.W0026	Steel	26	8	M 6	7.5	2.5	24	10	114	110.0	90	20.0	4	102
75150.W0521	Stainless	21	7	M 5	6.3	2.5	19	8	69	66.5	50	16.5	4	55
75150.W0523	Stainless	23	8	M 6	7.5	2.5	21	8	92	86.5	70	16.5	4	67
75150.W0526	Stainless	26	8	M 6	7.5	2.5	24	10	114	110.0	90	20.0	4	102



# Rotating Handles

fold-away type

# Cranked & Revolving



**75160**

CRANKED & REVOLVING HANDLES

### Material

Thermoplastic, black, matt. Steel stud and zinc plated steel retractable mechanism.

### Technical Notes

Fold-away handles are ideal for applica-

tions where, due to lack of space or for safety, the handle must be folded down and out of the way. Handle spring loaded for quick return. For certain minimum quantities custom colours available upon

request.

Order No.	d <sub>1</sub>	d <sub>2</sub>	d <sub>3</sub>	d <sub>4</sub>	d <sub>5</sub>	h <sub>1</sub>	h <sub>2</sub>	l <sub>1</sub>	l <sub>2</sub>	l <sub>3</sub>	l <sub>4</sub>	l <sub>5</sub>	Weight g
75160.W0021	21	7	M 5	6.3	2.5	27	8	63	57	50	7	4	46
75160.W0023	23	8	M 5	7.5	2.5	29	8	84	77	70	7	4	63
75160.W0024	26	8	M 6	7.5	2.5	32	10	107	97	90	7	4	105