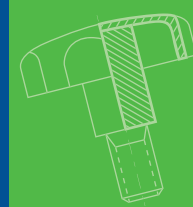


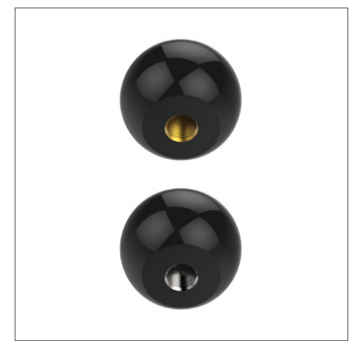
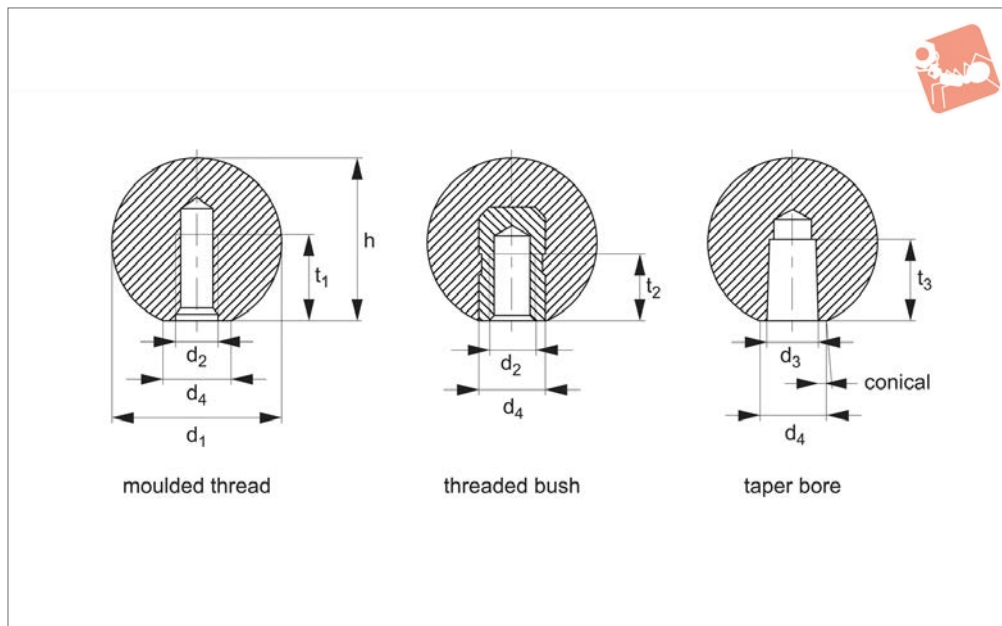


Ball Knobs - Plastic

DIN 319



Grips



73000

GRIPS

Material

Duroplast PF 31 DIN 7708, black.
 Bush: steel, zinc-plated. 73000.W0116 has bush of brass.
 Finish: polished, jointless.

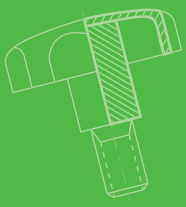
Threaded bush type also available in red, subject to minimum quantity.

Technical Notes

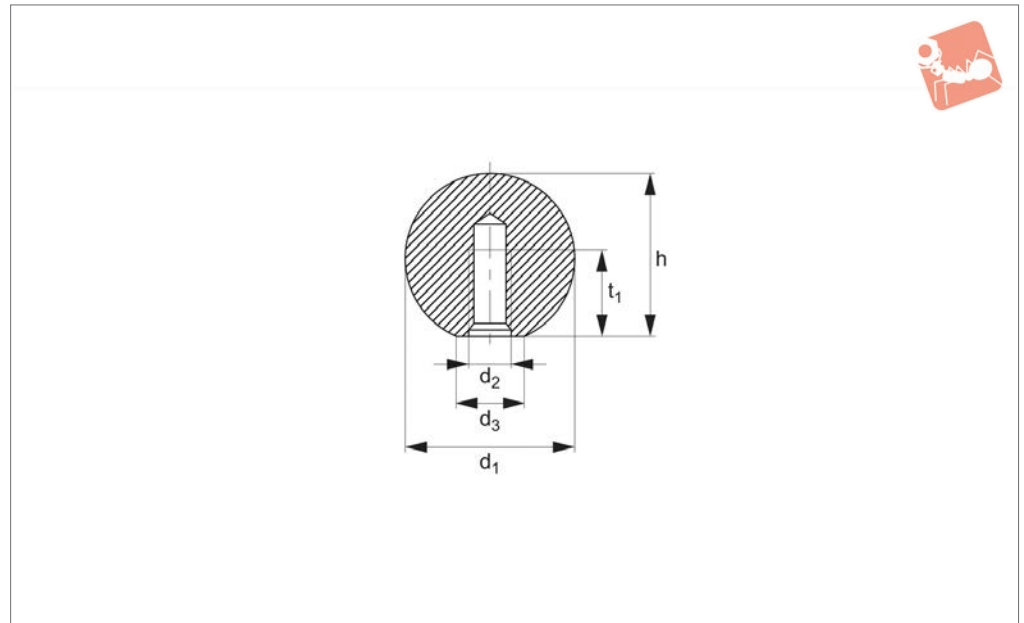
Temperature range max. 110°C. Assembly

of taper bush model is through lightly tapping with a hammer, the knob will hold in position without need for cementing. Counter bore requires an h9 fit.

Order No.	Finish	d ₁	d ₂	d ₃	d ₄ ≈	h ≈	t ₁ min.	t ₂ min.	t ₃ min.	Weight g
73000.W0016	Moulded Thread	16	M 4	-	8	15.0	7.0	-	-	3.2
73000.W0020	Moulded Thread	20	M 5	-	12	18.0	9.0	-	-	5.2
73000.W0025	Moulded Thread	25	M 6	-	15	22.5	11.0	-	-	10.0
73000.W0032	Moulded Thread	32	M 8	-	18	29.0	14.0	-	-	22.0
73000.W0040	Moulded Thread	40	M10	-	22	37.0	18.0	-	-	43.0
73000.W0050	Moulded Thread	50	M12	-	28	46.0	21.0	-	-	86.0
73000.W0116	Threaded Bush	16	M 4	-	8	15.0	-	6.0	-	5.1
73000.W0120	Threaded Bush	20	M 5	-	12	18.0	-	7.5	-	6.6
73000.W0125	Threaded Bush	25	M 6	-	15	22.5	-	9.0	-	13.0
73000.W0132	Threaded Bush	32	M 8	-	18	29.0	-	12.0	-	26.0
73000.W0140	Threaded Bush	40	M10	-	22	37.0	-	15.0	-	56.0
73000.W0150	Threaded Bush	50	M12	-	28	46.0	-	18.0	-	108.0
73000.W0216	Taper Bore	16	-	4	8	15.0	-	-	9.0	2.7
73000.W0220	Taper Bore	20	-	5	12	18.0	-	-	12.0	5.1
73000.W0225	Taper Bore	25	-	6	15	22.5	-	-	15.0	9.3
73000.W0232	Taper Bore	32	-	8	18	29.0	-	-	15.0	19.0
73000.W0240	Taper Bore	40	-	10	22	37.0	-	-	20.0	39.0
73000.W0250	Taper Bore	50	-	12	28	46.0	-	-	22.0	84.0



73002



Material

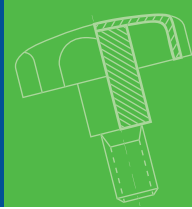
Steel, polished, bright

Order No.	d ₁	d ₂	d ₃ ≈	h ≈	t ₁ min.	Weight g
73002.W0016	16	M 4	8	15.0	7.0	16
73002.W0020	20	M 5	12	18.0	9.0	26
73002.W0025	25	M 6	15	22.5	11.0	58
73002.W0032	32	M 8	18	29.0	14.5	116
73002.W0040	40	M10	22	37.0	18.0	241
73002.W0050	50	M12	27	46.0	21.0	475

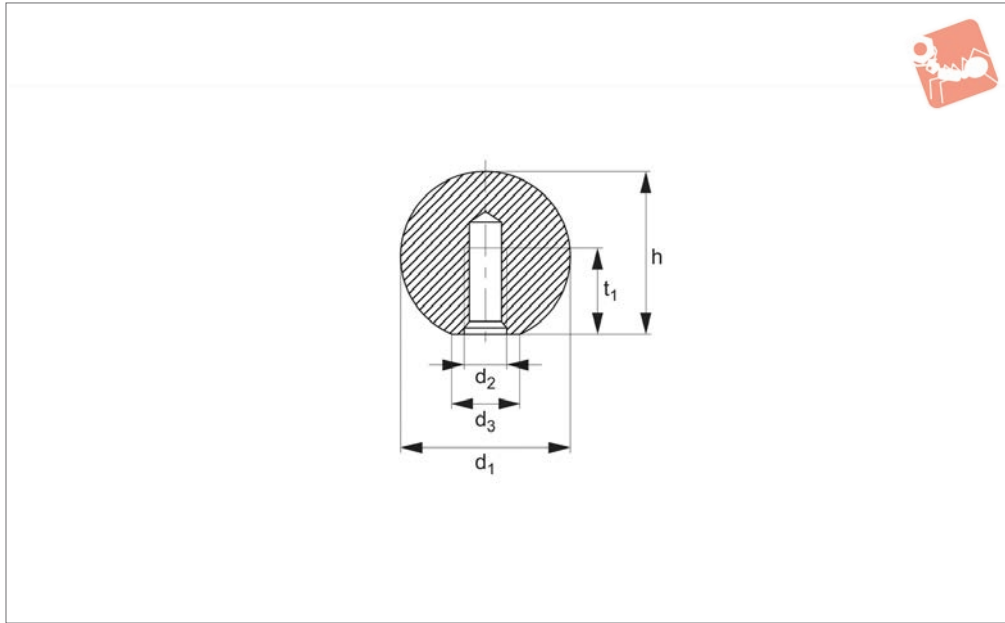


Ball Knobs - Stainless Steel

similar to DIN 319



Grips



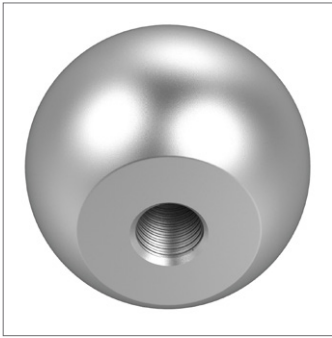
73004

GRIPS

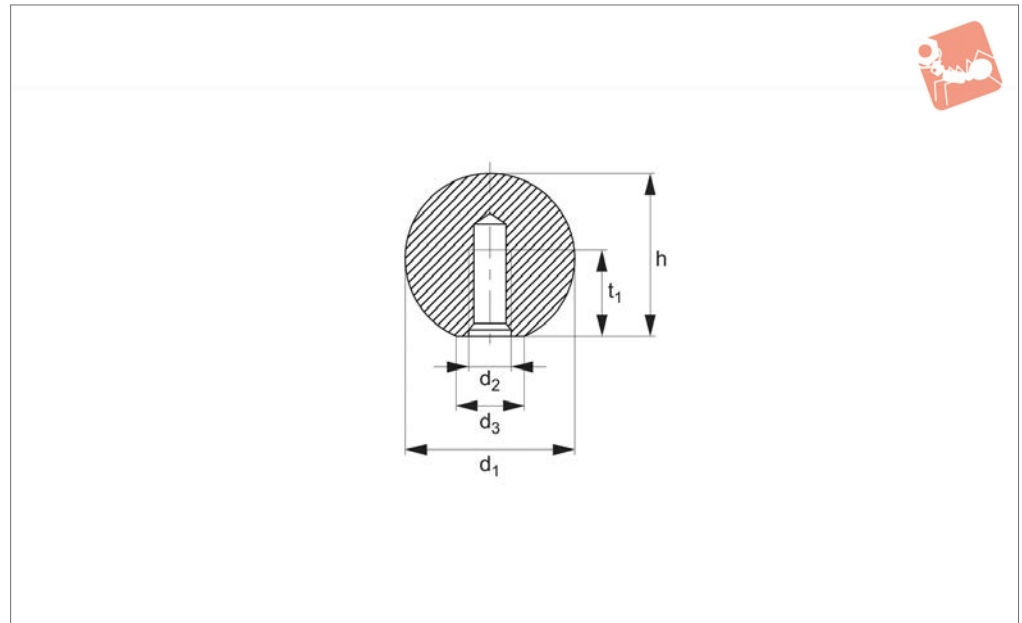
Material

Stainless steel 1.4305, dull blasted

Order No.	d ₁	d ₂	d ₃ ≈	h ≈	t ₁ min.	Weight g
73004.W0216	16	M 4	8	15.0	7.0	16
73004.W0220	20	M 5	12	18.0	9.0	31
73004.W0225	25	M 6	15	22.5	11.0	59
73004.W0232	32	M 8	18	29.0	14.5	122
73004.W0240	40	M10	22	37.0	18.0	242



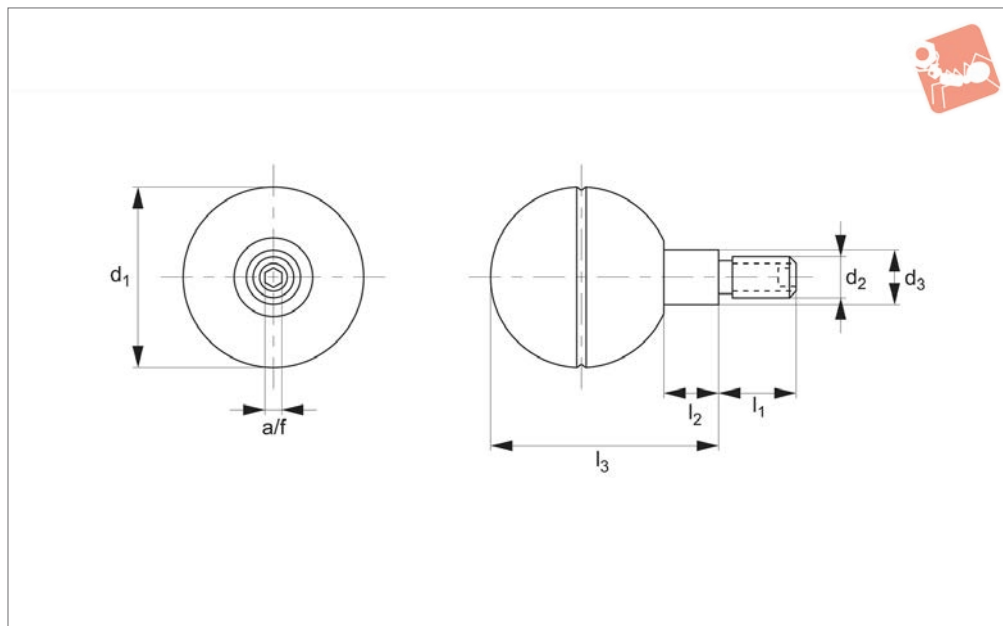
73006



Material

Aluminium, polished polished, bright

Order No.	d ₁	d ₂	d ₃ ~	h ~	t ₁ min.	Weight g
73006.W0116	16	M 4	8	15.0	7.0	7
73006.W0120	20	M 5	12	18.0	9.0	12
73006.W0125	25	M 6	15	22.5	11.0	22
73006.W0132	32	M 8	18	29.0	14.5	44
73006.W0140	40	M10	22	37.0	18.0	87
73006.W0150	50	M12	27	46.0	21.0	173



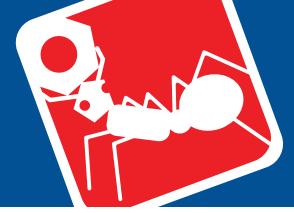
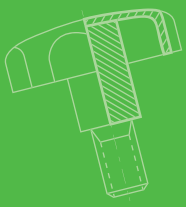
73020

GRIPS

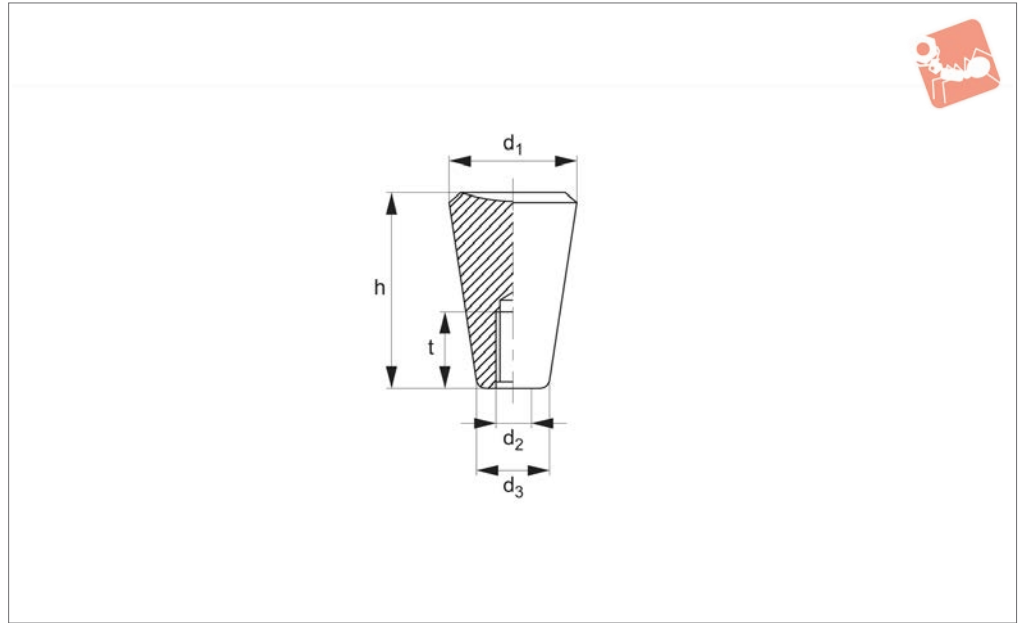
Material

Duroplast, black. Zinc plated steel stud, hexagonal locking blind hole.

Order No.	d ₁	d ₂	l ₁	l ₂	l ₃	d ₃	A/F	Weight g
73020.W0041	41	M 8	15	12	51	13	4	87
73020.W0042	41	M10	17	12	51	13	5	90
73020.W0047	47	M 8	15	12	58	14	4	118
73020.W0048	47	M10	17	12	58	14	5	121
73020.W0061	60	M 8	15	12	71	14	4	206
73020.W0062	60	M10	17	12	71	14	5	212



73100



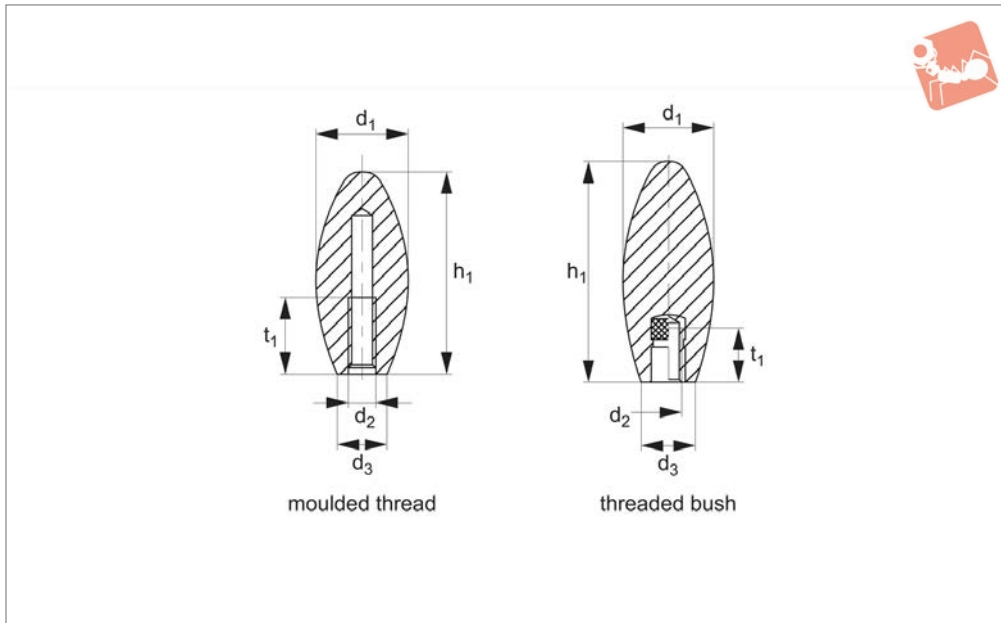
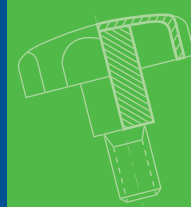
Material

Duroplast PF 31, black.

Technical Notes

Temperature range max. 110°C.

Order No.	d ₁	d ₂	d ₃ ~	h	t min.	Weight g
73100.W0020	20	M 5	12	30	18	7.8
73100.W0021	20	M 6	12	30	18	7.4
73100.W0025	25	M 6	15	38	18	14.0
73100.W0026	25	M 8	15	38	18	13.0
73100.W0031	30	M 8	18	46	18	26.0
73100.W0032	30	M10	18	46	18	25.0
73100.W0036	35	M10	21	53	21	46.0
73100.W0037	35	M12	21	53	21	43.0



73110

GRIPS

Material

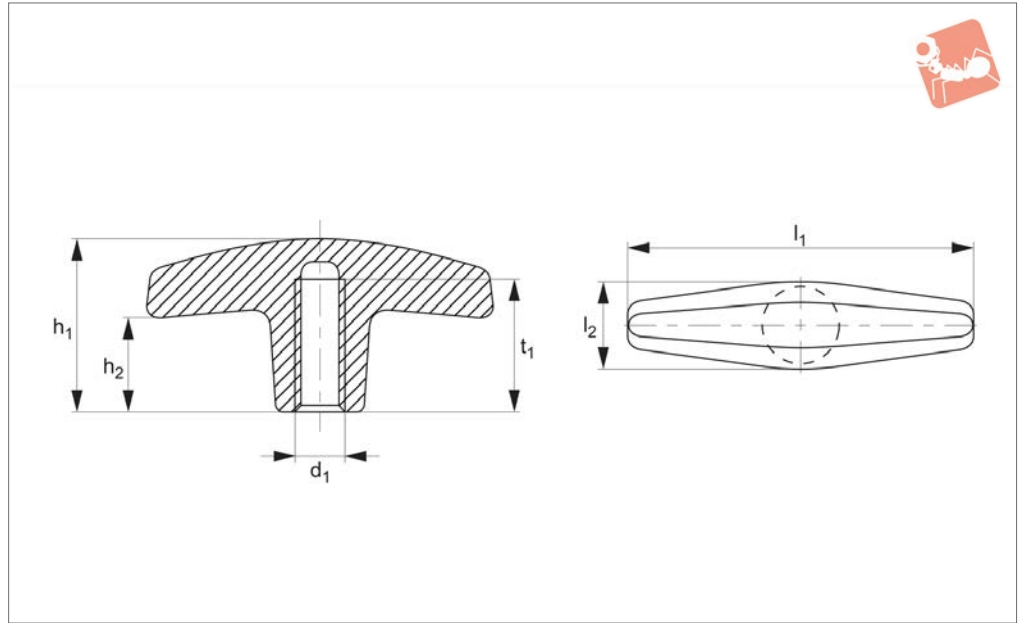
Duroplast, black.

Bush: zinc plated steel.

Order No.	Finish	d ₁	d ₂	d ₃	h ₁	t ₁	Weight g
73110.W0030	Moulded Thread	30	M 8	16	65	16	41
73110.W0031	Moulded Thread	30	M10	16	65	21	40
73110.W0032	Moulded Thread	30	M12	16	65	25	39
73110.W0035	Moulded Thread	35	M12	22	85	25	71
73110.W0036	Moulded Thread	35	M16	22	85	30	69
73110.W0535	Threaded Bush	35	M10	22	85	21	87



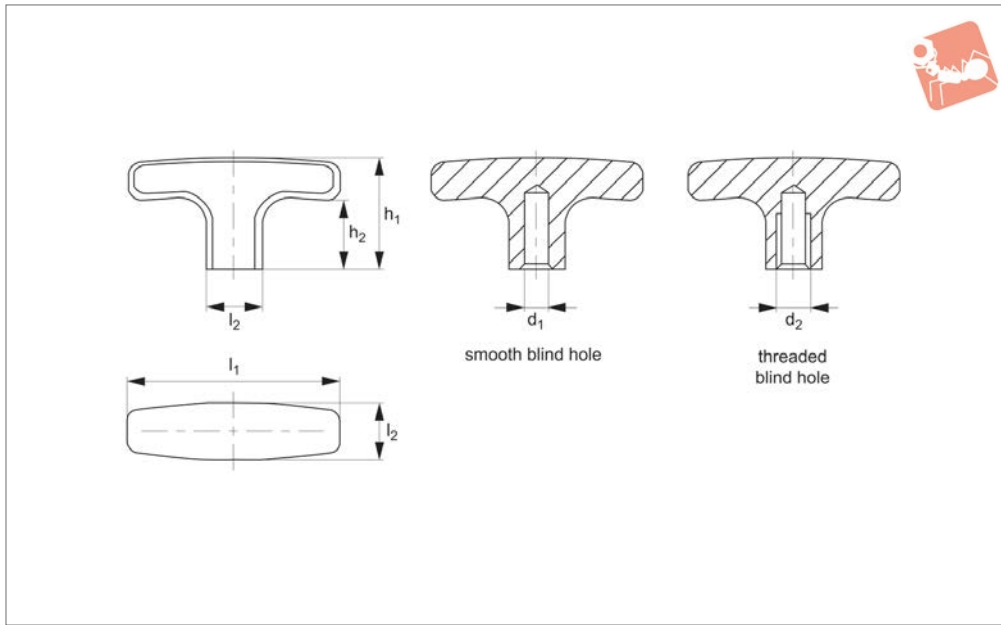
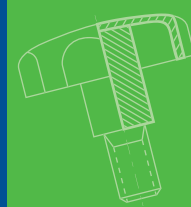
73130



Material

Thermoplast, black, with moulded female thread.

Order No.	d_1	l_1	l_2	h_1	h_2	t_1	Weight g
73130.W0006	M 6	57	15	30	16	13	9
73130.W0008	M 8	57	15	30	16	15	8



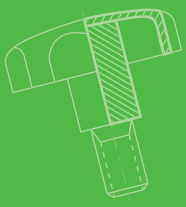
73132

GRIPS

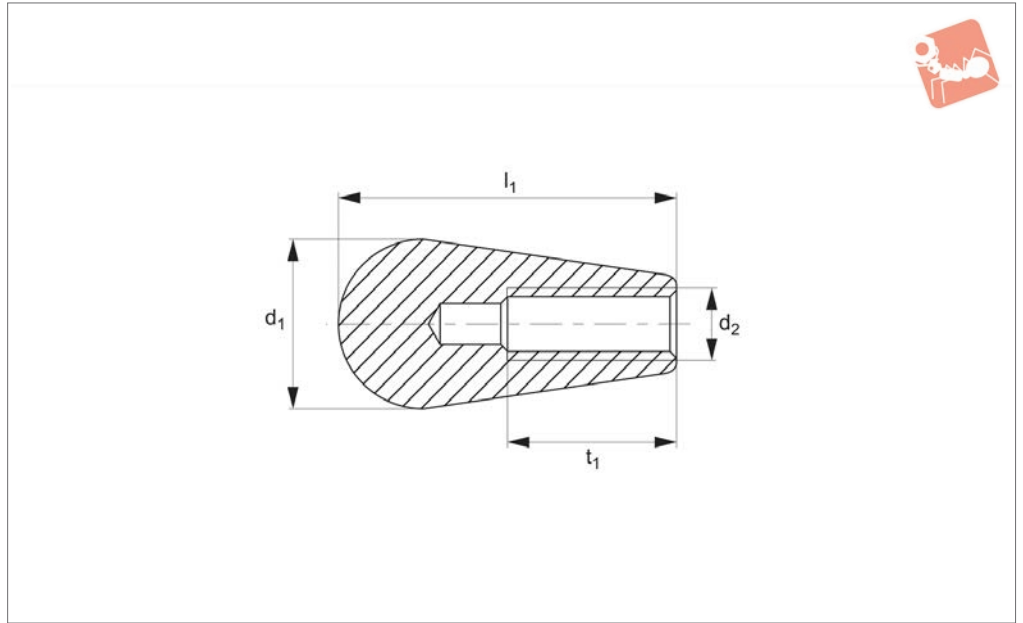
Material

Aluminium, plastic coated, similar to RAL 9005 black, matt structure

Order No.	Finish	d ₁ tol. H7	d ₂	l ₁	l ₂	h ₁	h ₂	t	Weight g
73132.W0020	Smooth, Blind	6	-	55	14	33	22	12	31
73132.W0030	Smooth, Blind	8	-	67	16	37	25	16	46
73132.W0035	Smooth, Blind	8	-	80	20	41	26	16	80
73132.W0120	Threaded, Blind	-	M 6	55	14	33	22	12	33
73132.W0125	Threaded, Blind	-	M 8	55	14	33	22	12	40
73132.W0130	Threaded, Blind	-	M 8	67	16	37	25	16	48
73132.W0135	Threaded, Blind	-	M 8	80	20	41	26	16	80
73132.W0140	Threaded, Blind	-	M10	80	20	41	26	16	80



73140



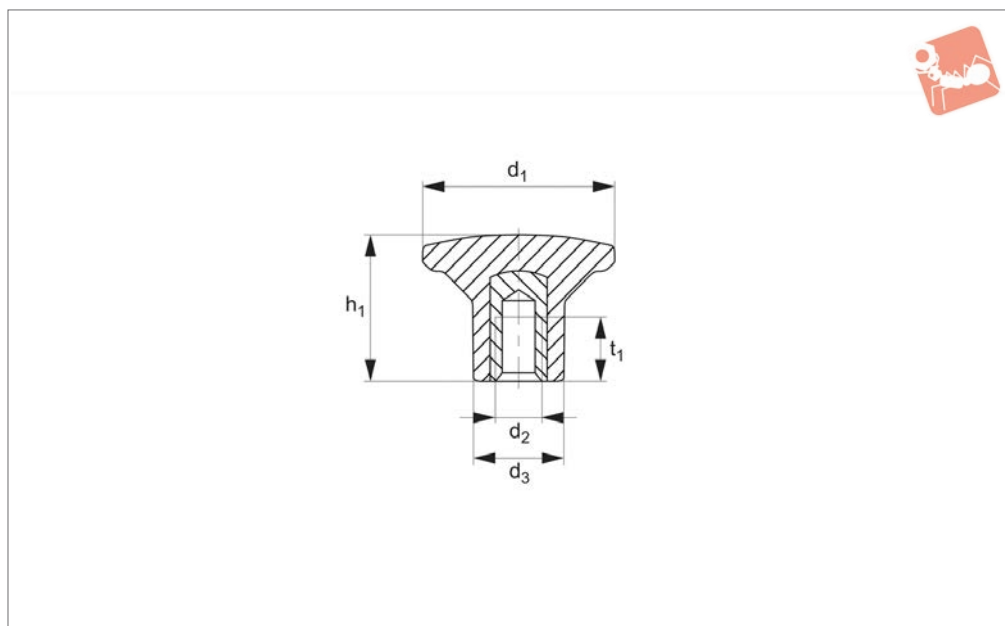
Material

Thermoplastic, matte black, with moulded female thread.

Technical Notes

* Ø8 - moulded blind hole - not threaded.

Order No.	d ₁	d ₂	l ₁	t ₁	Weight g
73140.W0005	13	M 5	43	15	3.2
73140.W0008	25	M 8	50	25	13.0
73140.W0009	25	M 8	50	25	12.0



73160

GRIPS

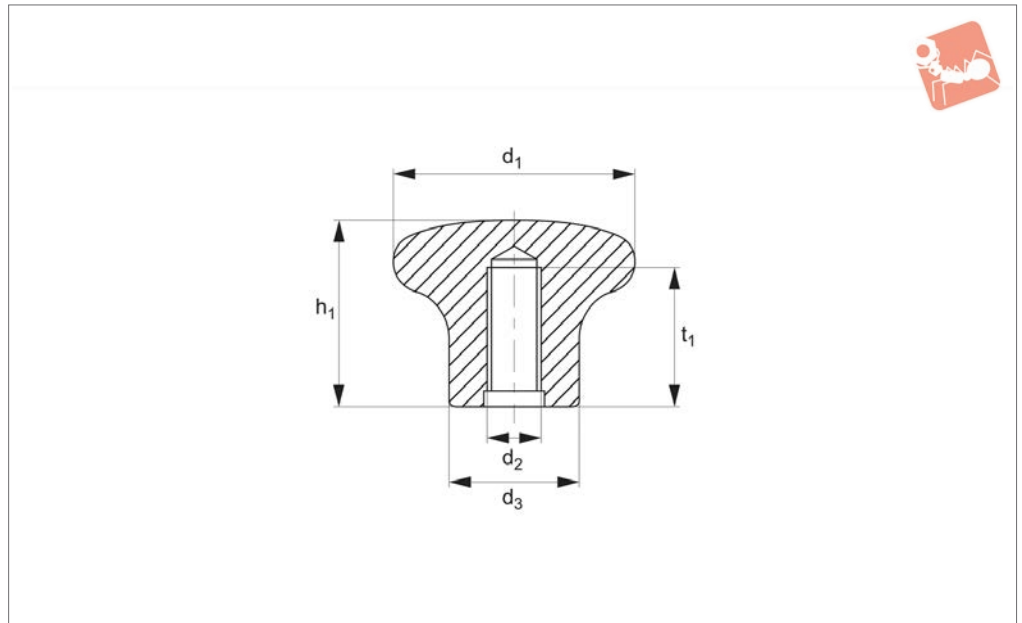
Material

Thermoplastic, matt black. Brass bush with tapped blind hole.

Order No.	d ₁	d ₂	d ₃	h ₁	t ₁	Weight g
73160.W0021	26	M 4	12	17	8	8
73160.W0022	26	M 5	12	17	8	8
73160.W0023	26	M 6	12	17	8	8
73160.W0031	32	M 6	15	24	13	13
73160.W0032	32	M 8	15	24	13	13



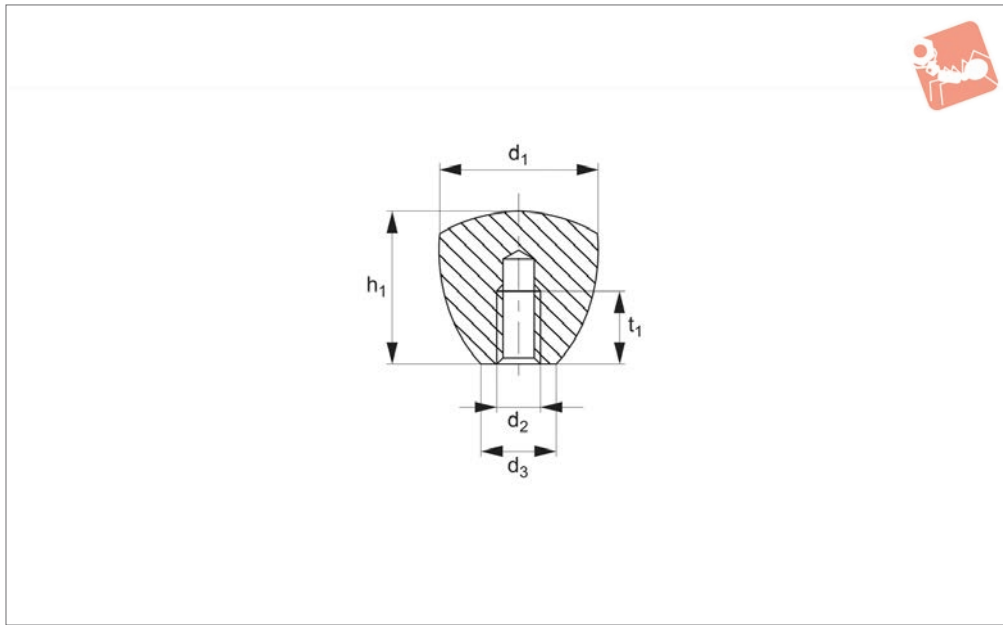
73170



Material

Duroplast, black, moulded thread.

Order No.	d ₁	d ₂	d ₃	h ₁	t ₁	Weight g
73170.W0031	35	M 6	17	35	20	19
73170.W0032	35	M 8	17	35	20	18
73170.W0051	45	M 8	24	34	23	36
73170.W0052	45	M10	24	34	23	35
73170.W0053	45	M12	24	34	23	34



73180

GRIPS

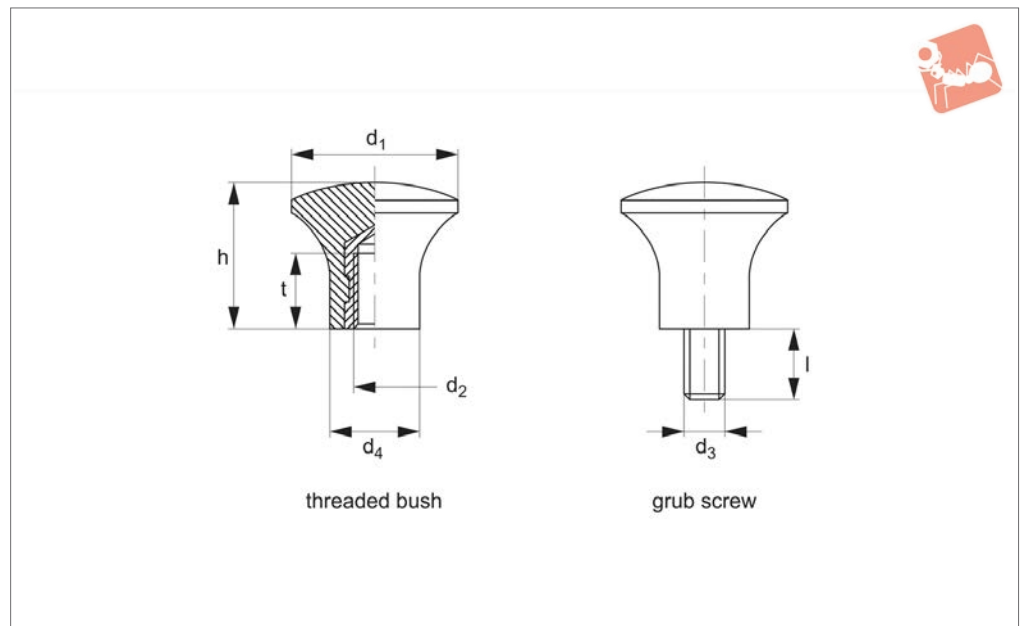
Material

Duroplast, black. Moulded thread.

Order No.	d ₁	d ₂	d ₃	h ₁	t ₁	Weight g
73180.W0031	30	M 6	15	30	22	21
73180.W0032	30	M 8	15	30	22	20
73180.W0033	30	M10	15	30	22	20



73200



Material

Black, duroplast PF31.
Brass bush or zinc plated steel male

thread.

Technical Notes

Max. temperature 110°C.

Order No.	Type	d ₁	d ₂	d ₃	l	d ₄	h	t	Weight g
73200.W0017	Threaded Bush	17	M 5	-	-	10	14	7	4.8
73200.W0021	Threaded Bush	21	M 6	-	-	12	17	11	8.2
73200.W0025	Threaded Bush	25	M 6	-	-	14	21	11	11.0
73200.W0033	Threaded Bush	33	M 8	-	-	18	29	12	19.0
73200.W0117	Grub Screw	17	-	M 5	9	10	14	-	4.2
73200.W0121	Grub Screw	21	-	M 6	10	12	17	-	7.1
73200.W0125	Grub Screw	25	-	M 6	10	14	21	-	10.0
73200.W0133	Grub Screw	33	-	M 8	14	18	29	-	23.0