

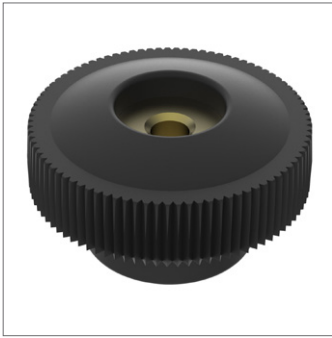
## 72410

GRIPS

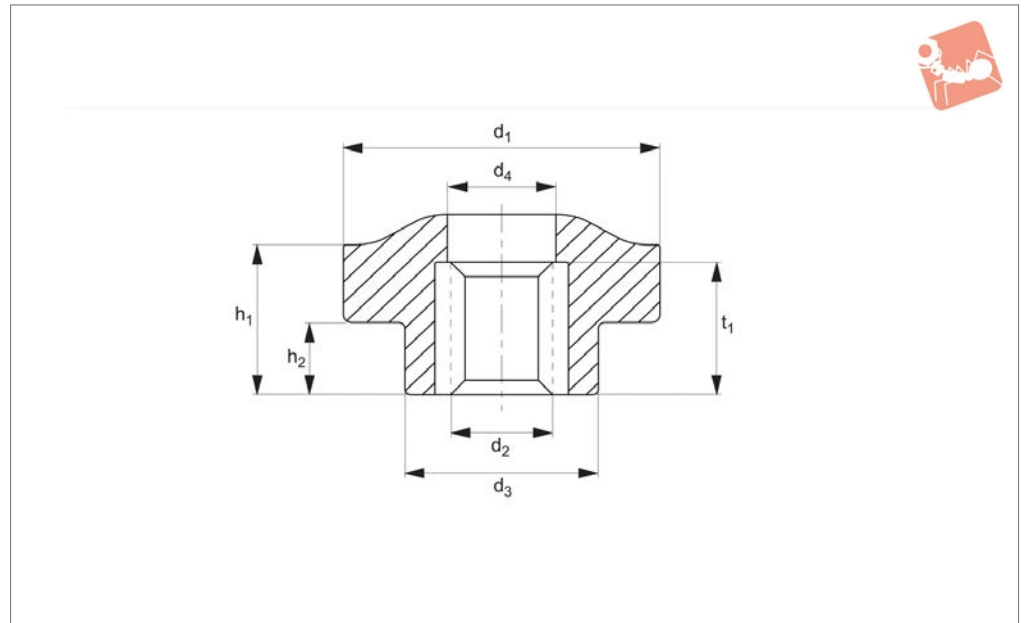
### Material

Brass bush with tapped hole. Thermoplastic, black, matt.

Order No.	d <sub>1</sub>	d <sub>2</sub>	d <sub>3</sub>	h <sub>1</sub>	h <sub>2</sub>	t <sub>1</sub>	Weight g
72410.W0224	22	M 4	15	14	6	8	7
72410.W0225	22	M 5	15	14	6	8	8
72410.W0226	22	M 6	15	14	6	8	8
72410.W0228	22	M 8	15	14	6	8	7
72410.W0244	24	M 4	15	14	6	8	8
72410.W0245	24	M 5	15	14	6	8	9
72410.W0246	24	M 6	15	14	6	8	7
72410.W0248	24	M 8	15	14	6	8	8
72410.W0264	26	M 4	16	15	6	8	11
72410.W0265	26	M 5	16	15	6	8	11
72410.W0266	26	M 6	16	15	6	8	11
72410.W0268	26	M 8	16	15	6	8	10



**72420**

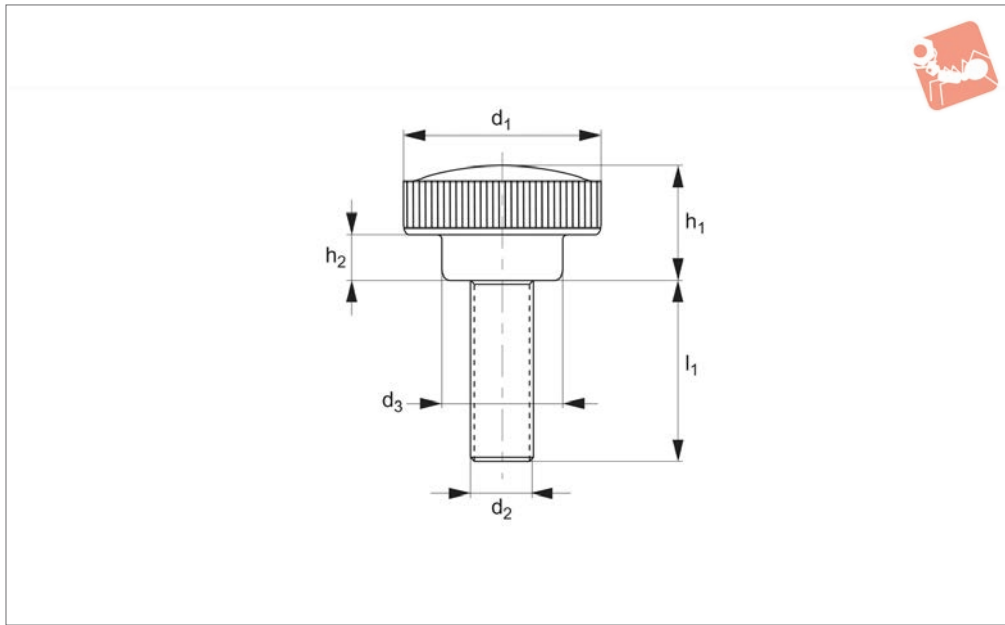
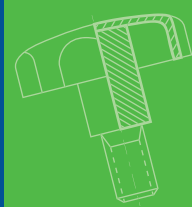


#### Material

Brass bush with tapped through hole.

Thermoplastic, black, matt.

Order No.	$d_1$	$d_2$	$d_3$	$d_4$	$h_1$	$h_2$	$t_1$	Weight g
72420.W0154	15	M 4	11	7	14	7	11	4
72420.W0155	15	M 5	11	7	14	7	11	4
72420.W0224	22	M 4	15	9	14	6	11	7
72420.W0225	22	M 5	15	9	14	6	11	7
72420.W0226	22	M 6	15	9	14	6	11	7
72420.W0228	22	M 8	15	9	14	6	11	7
72420.W0244	24	M 4	15	9	14	6	11	7
72420.W0245	24	M 5	15	9	14	6	11	9
72420.W0246	24	M 6	15	9	14	6	11	8
72420.W0248	24	M 8	15	9	14	6	11	8
72420.W0264	26	M 4	16	9	15	6	11	9
72420.W0265	26	M 5	16	9	15	6	11	9
72420.W0266	26	M 6	16	9	15	6	11	9
72420.W0268	26	M 8	16	9	15	6	11	9
72420.W0326	32	M 6	19	9	18	8	11	11
72420.W0328	32	M 8	19	9	18	8	11	12



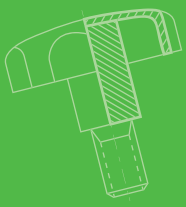
## 72430

GRIPS

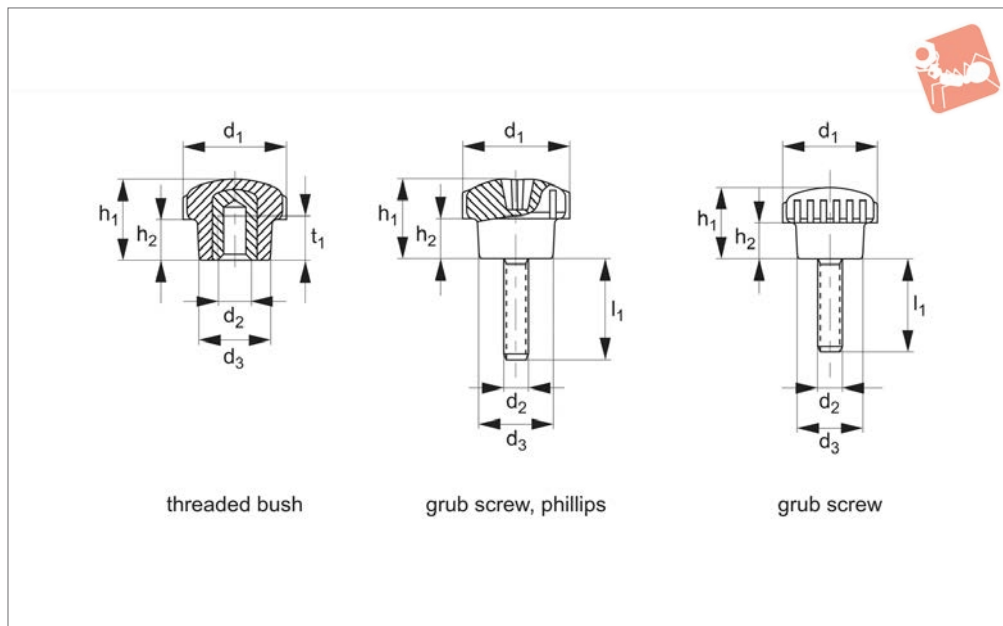
### Material

Zinc plated steel stud. Thermoplastic, black, matt.

Order No.	d <sub>1</sub>	d <sub>2</sub>	d <sub>3</sub>	h <sub>1</sub>	h <sub>2</sub>	l <sub>1</sub>	Weight g
72430.W0151	15	M 4	11	14	7	10	4.0
72430.WX151	15	M 4	11	14	7	15	4.0
72430.W0152	15	M 5	11	14	7	10	4.0
72430.W0220	22	M 4	15	14	6	10	6.0
72430.W0221	22	M 4	15	14	6	25	6.0
72430.WX221	22	M 5	10	14	6	15	7.0
72430.W0222	22	M 5	15	14	6	15	7.0
72430.WX222	22	M 6	15	14	6	10	8.0
72430.W0223	22	M 6	15	14	6	15	8.0
72430.WX223	22	M 6	15	14	6	20	9.0
72430.W0224	22	M 6	15	14	6	25	9.0
72430.W0225	22	M 6	15	14	6	30	11.0
72430.WX225	22	M 6	15	14	6	35	12.0
72430.W0226	22	M 6	15	14	6	40	13.0
72430.W0241	24	M 4	15	14	6	10	5.0
72430.W0242	24	M 4	15	14	6	25	6.0
72430.W0243	24	M 5	15	14	6	10	8.0
72430.W0244	24	M 6	15	14	6	10	6.0
72430.WX244	24	M 6	15	14	6	15	10
72430.W0245	24	M 6	15	14	6	25	11.0
72430.W0250	26	M 5	15	14	6	10	9.0
72430.W0261	26	M 5	16	15	6	15	10.0
72430.W0262	26	M 5	16	15	6	25	11.0
72430.WX262	26	M 6	16	15	6	10	10
72430.W0263	26	M 6	16	15	6	15	11.0
72430.W0264	26	M 6	16	15	6	20	12.0
72430.W0265	26	M 6	16	15	6	25	13.0
72430.W0266	26	M 6	16	15	6	40	15.0
72430.W0267	26	M 8	16	15	6	25	17.0
72430.W0268	32	M 6	19	18	8	15	13
72430.W0269	32	M 6	19	18	8	0	14
72430.W0270	32	M 6	19	18	8	25	15
72430.W0271	32	M 6	19	18	8	30	16
72430.W0272	32	M 6	19	18	8	40	18



Order No.	d <sub>1</sub>	d <sub>2</sub>	d <sub>3</sub>	h <sub>1</sub>	h <sub>2</sub>	l <sub>1</sub>	Weight g
72430.W0273	32	M 8	19	18	8	15	19
72430.W0274	32	M 8	19	18	8	25	22
72430.W0275	32	M 8	19	18	8	40	27



**72440**

GRIPS

**Material**

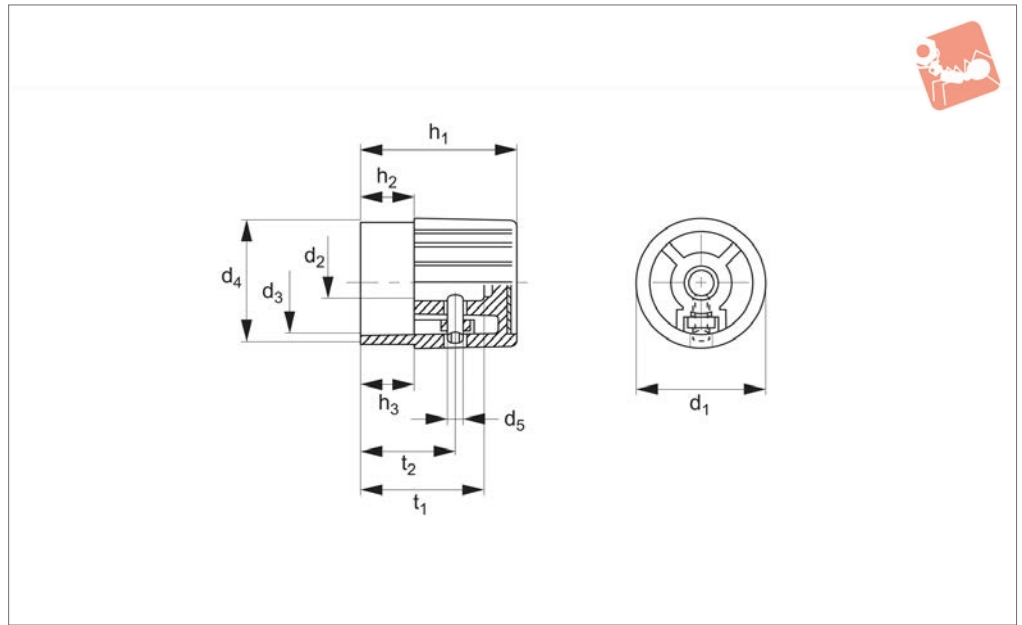
Thermoplastic, black.  
Female type - brass bush.

Male type - zinc plated steel stud.

Order No.	Type	d <sub>1</sub>	d <sub>2</sub>	d <sub>3</sub>	h <sub>1</sub>	h <sub>2</sub>	l <sub>1</sub>	t <sub>1</sub>	Weight g
72440.W0004	Threaded Bush	17	M 4	13	15	8	-	8	6
72440.W0005	Threaded Bush	17	M 5	13	15	8	-	8	6
72440.W0006	Threaded Bush	17	M 6	13	15	8	-	8	6
72440.W0105	Grub Screw, Phillips	17	M 5	13	15	8	20	-	9
72440.W0410	Grub Screw	17	M 4	13	15	8	10	-	4
72440.W0425	Grub Screw	17	M 4	13	15	8	25	-	5
72440.W0515	Grub Screw	17	M 5	13	15	8	15	-	6



**72480**



**Material**

Thermoplastic, black, matt.  
Reinforced glass fibre.

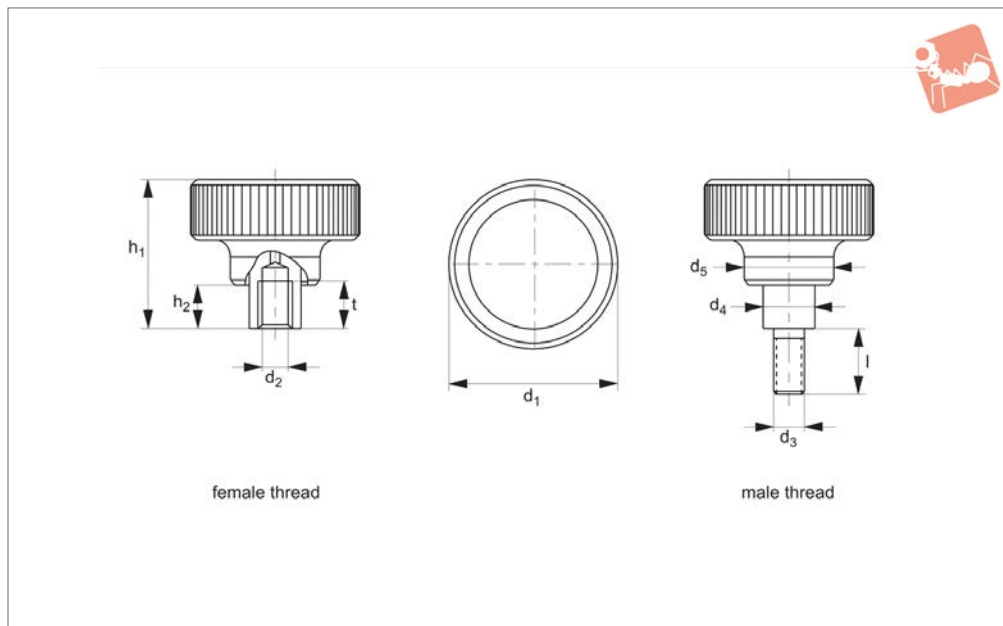
Aluminium cover disk.

**Technical Notes**

Tapped hole with grub screw for mounting

to shaft. „With Index“ model has laser marked index point on diameter.

Order No.	Type	d <sub>1</sub>	d <sub>2</sub>	d <sub>3</sub>	d <sub>4</sub>	d <sub>5</sub>	h <sub>1</sub>	h <sub>2</sub>	h <sub>3</sub>	t <sub>1</sub>	t <sub>2</sub>	Weight g
72480.W0002	W/o Index	27	6	22	25	M 4	30	12	12	25	18	10
72480.W0004	W/o Index	32	8	25	30	M 4	38	13	13	30	23	22
72480.W0006	W/o Index	35	10	28	33	M 5	45	15	15	37	27	30
72480.W0102	With Index	27	6	22	25	M 4	30	12	12	25	18	12
72480.W0104	With Index	32	8	25	30	M 4	38	13	13	30	23	22
72480.W0106	With Index	35	10	28	33	M 5	45	15	15	37	27	30



## 72485

GRIPS

### Material

Cap: thermoplastic PA 6, light grey, similar to RAL 7035

Torque mechanism: Steel, hardened.

Body: Aluminium, black anodised

Inner part: Steel, blackened

### Technical Notes

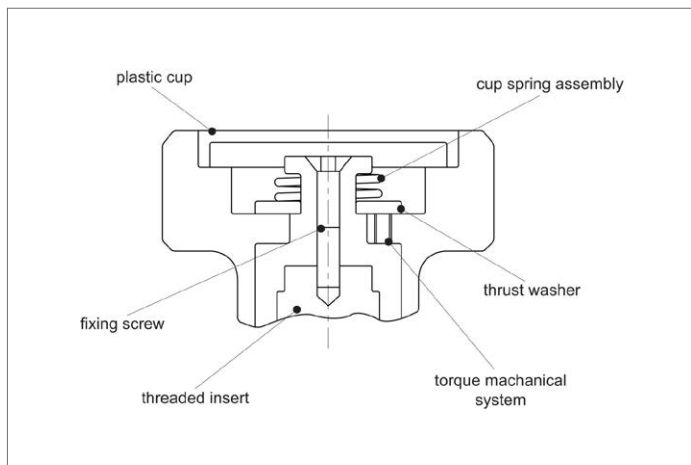
The handle with intergrate torque

mechanism allows a defined torque during tightening. Reaching the torque results in a „over-looking“. For releasing the torque is transmitted indefinitely.

Order No.	Type	d <sub>1</sub>	d <sub>2</sub>	d <sub>3</sub>	d <sub>4</sub>	d <sub>5</sub>	h <sub>1</sub>	h <sub>2</sub>	l	t	Tightening torque Nm ±10% max.	Weight g
72485.W0020	Female	34	M 3	-	10	21	37.5	9.5	-	7	1.0	48
72485.W0022	Female	34	M 4	-	10	21	37.5	9.5	-	9	1.0	48
72485.W0024	Female	34	M 5	-	10	21	37.5	9.5	-	9	1.0	48
72485.W0026	Female	34	M 6	-	10	21	37.5	9.5	-	9	1.0	48
72485.W0030	Female	42	M 6	-	13.5	27	43.5	11.5	-	11	2.0	127
72485.W0032	Female	42	M8	-	13.5	27	43.5	11.5	-	11	2.0	127
72485.W0040	Female	52	M10	-	19	32	54	15.5	-	17	3.0	206
72485.W0042	Female	52	M12	-	19	32	54	15.5	-	17	3	206
72485.W0050	Female	62	M10	-	19	33	54	15.5	-	17	4	285
72485.W0052	Female	62	M12	-	19	33	54	15.5	-	17	4	285
72485.W0060	Female	62	M10	-	19	33	54	15.5	-	17	5.5	285
72485.W0062	Female	62	M12	-	19	33	54	15.5	-	17	5.5	285
72485.W0300	Male	34	-	M 5	10	21	37.5	9.5	12	-	1.0	62
72485.W0301	Male	34	-	M 5	10	21	37.5	9.5	16	-	1.0	63
72485.W0302	Male	34	-	M 5	10	21	37.5	9.5	20	-	1.0	63
72485.W0303	Male	34	-	M 5	10	21	37.5	9.5	25	-	1.0	64
72485.W0304	Male	34	-	M 5	10	21	37.5	9.5	32	-	1.0	65
72485.W0305	Male	34	-	M 6	10	21	37.5	9.5	12	-	1.0	64
72485.W0306	Male	34	-	M 6	10	21	37.5	9.5	16	-	1.0	65
72485.W0307	Male	34	-	M 6	10	21	37.5	9.5	20	-	1.0	66
72485.W0308	Male	34	-	M 5	10	21	37.5	9.5	12	-	1.0	67
72485.W0309	Male	34	-	M 6	10	21	37.5	9.5	32	-	1.0	68
72485.W0400	Male	42	-	M 8	13.5	27	43.5	11.5	16	-	2.0	152
72485.W0401	Male	42	-	M 8	13.5	21	43.5	11.5	20	-	2.0	153
72485.W0402	Male	42	-	M 8	13.5	27	43.5	11.5	25	-	2.0	155
72485.W0403	Male	42	-	M 8	13.5	27	43.5	11.5	32	-	2.0	158
72485.W0404	Male	42	-	M 8	13.5	27	43.5	11.5	40	-	2.0	161
72485.W0405	Male	42	-	M10	13.5	27	43.5	11.5	20	-	2.0	165
72485.W0406	Male	42	-	M10	13.5	27	43.5	11.5	25	-	2.0	170
72485.W0407	Male	42	-	M10	13.5	27	43.5	11.5	32	-	2.0	173
72485.W0408	Male	42	-	M 10	13.5	27	43.5	11.5	40	-	2.0	62
72485.W0409	Male	42	-	M10	13.5	27	43.5	11.5	50	-	2.0	187



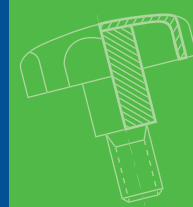
Order No.	Type	d <sub>1</sub>	d <sub>2</sub>	d <sub>3</sub>	d <sub>4</sub>	d <sub>5</sub>	h <sub>1</sub>	h <sub>2</sub>	l	t	Tightening torque Nm ±10% max.	Weight g
72485.W0500	Male	52	-	M10	19	32	54	15.5	25	-	3.0	241
72485.W0501	Male	52	-	M10	19	32	54.0	15.5	32	-	3.0	62
72485.W0502	Male	52	-	M10	19	32	54.0	15.5	40	-	3.0	248
72485.W0503	Male	52	-	M10	19	32	54.0	15.5	50	-	3.0	254
72485.W0504	Male	52	-	M10	19	32	54.0	15.5	63	-	3.0	262
72485.W0505	Male	52	-	M12	19	32	54.0	15.5	32	-	3.0	251
72485.W0506	Male	34	-	M12	19	32	54.0	15.5	25	-	3.0	254
72485.W0507	Male	52	-	M12	19	32	54.0	15.5	40	-	3.0	262
72485.W0508	Male	52	-	M12	19	32	54.0	15.5	50	-	3.0	270
72485.W0509	Male	52	-	M12	19	32	54.0	15.5	63	-	3.0	274
72485.W0600	Male	62	-	M10	19	33	54.0	15.5	25	-	4.0	334
72485.W0601	Male	62	-	M10	19	33	54.0	15.5	32	-	4.0	339
72485.W0602	Male	62	-	M10	19	33	54.0	15.5	40	-	4.0	341
72485.W0603	Male	62	-	M10	19	33	54.0	15.5	50	-	4.0	347
72485.W0604	Male	62	-	M10	19	33	54.0	15.5	63	-	4.0	355
72485.W0605	Male	62	-	M12	19	33	54.0	15.5	25	-	4.0	344
72485.W0606	Male	62	-	M12	19	33	54.0	15.5	25	-	4.0	347
72485.W0607	Male	62	-	M12	19	33	54.0	15.5	40	-	4.0	355
72485.W0608	Male	62	-	M12	19	33	54.0	15.5	50	-	4.0	363
72485.W0609	Male	62	-	M12	19	33	54.0	15.5	50	-	4.0	367
72485.W0700	Male	62	-	M10	19	33	54.0	15.5	25	-	5.5	334
72485.W0701	Male	62	-	M10	19	33	54.0	15.5	32	-	4.0	339
72485.W0702	Male	62	-	M10	19	33	54.0	15.5	40	-	5.5	334
72485.W0703	Male	62	-	M10	19	33	54.0	15.5	25	-	5.5	347
72485.W0704	Male	62	-	M10	19	33	54.0	15.5	63	-	5.5	355
72485.W0705	Male	62	-	M12	19	33	54.0	15.5	25	-	5.5	344
72485.W0706	Male	52	-	M12	19	33	54.0	15.5	32	-	4.0	347
72485.W0707	Male	62	-	M12	19	33	54.0	15.5	40	-	5.5	355
72485.W0708	Male	62	-	M12	19	33	54.0	15.5	50	-	5.5	363
72485.W0709	Male	62	-	M12	19	33	54.0	15.5	63	-	5.5	367



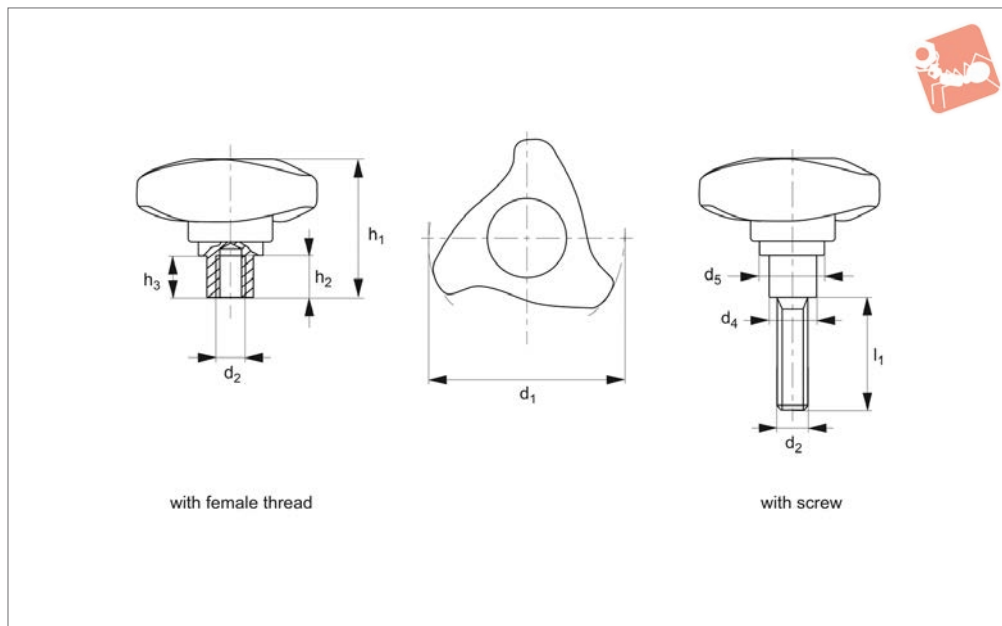




# Three-lobed Torque Handles



## Grips



**72490**

GRIPS

### Material

Screw: steel, blackened.  
 Cap: plastic, light grey.  
 Torque mechanism: steel, hardened.  
 Inner part: steel, blackened.

mechanism allows a defined torque limitation during tightening.  
 Reaching the torque results in an „over-locking“. For releasing the torque is transmitted indefinitely.

Reach: contains SVHC materials > 0,1% w/w.

### Technical Notes

The handle with integrated torque

ROHS compliant.

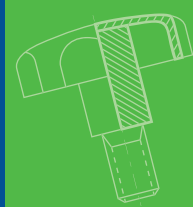
Order No.	Type	d <sub>1</sub>	d <sub>2</sub>	d <sub>4</sub>	d <sub>5</sub>	h <sub>1</sub>	h <sub>2</sub>	h <sub>3</sub>	l <sub>1</sub>	Tightening torque Nm ±10% max.	Weight g
72490.W0020	With female thread	50	M 6	13.5	23.6	41.6	11	10.7	-	2.0	65
72490.W0021	With female thread	50	M 6	13.5	23.6	41.6	11	10.7	-	3.0	62
72490.W0022	With female thread	50	M 6	13.5	23.6	41.6	11	10.7	-	4.0	63
72490.W0023	With female thread	50	M 6	13.5	23.6	41.6	11	10.7	-	2.0	60
72490.W0024	With female thread	50	M 8	13.5	23.6	41.6	11	10.7	-	3.0	60
72490.W0025	With female thread	50	M 8	13.5	23.6	41.6	11	10.7	-	4.0	64
72490.W0030	With female thread	63	M 8	16.0	28.1	46.6	14	12.9	-	3.2	104
72490.W0031	With female thread	63	M 8	16.0	28.1	46.6	14	12.9	-	4.0	105
72490.W0032	With female thread	63	M 8	16.0	28.1	46.6	14	12.9	-	4.7	107
72490.W0033	With female thread	63	M10	16.0	28.1	46.6	14	12.9	-	3.2	103
72490.W0034	With female thread	63	M10	16.0	28.1	46.6	14	12.9	-	4.0	102
72490.W0035	With female thread	63	M10	16.0	28.1	46.6	14	12.9	-	4.7	103
72490.W0040	With female thread	80	M10	19.0	34.1	56.2	17	16.8	-	4.0	172
72490.W0041	With female thread	80	M10	19.0	34.1	56.2	17	16.8	-	5.5	173
72490.W0042	With female thread	80	M10	19.0	34.1	56.2	17	16.8	-	7.5	174
72490.W0043	With female thread	80	M12	19.0	34.1	56.2	17	16.8	-	4.0	167
72490.W0044	With female thread	80	M12	19.0	34.1	56.2	17	16.8	-	5.5	168
72490.W0045	With female thread	80	M12	19.0	34.1	56.2	17	16.8	-	7.5	171
72490.W0300	With screw	50	M 8	13.5	23.6	41.6	-	10.7	16	2.0	72
72490.W0301	With screw	50	M 8	13.5	23.6	41.6	-	10.7	16	3.0	75
72490.W0302	With screw	50	M 8	13.5	23.6	41.6	-	10.7	16	4.0	76
72490.W0303	With screw	50	M 8	13.5	23.6	41.6	-	10.7	20	2.0	70
72490.W0304	With screw	50	M 8	13.5	23.6	41.6	-	10.7	20	3.0	73
72490.W0305	With screw	50	M 8	13.5	23.6	41.6	-	10.7	20	4.0	71
72490.W0306	With screw	50	M 8	13.5	23.6	41.6	-	10.7	25	2.0	72
72490.W0307	With screw	50	M 8	13.5	23.6	41.6	-	10.7	25	3.0	72
72490.W0308	With screw	50	M 8	13.5	23.6	41.6	-	10.7	25	4.0	73
72490.W0309	With screw	50	M 8	13.5	23.6	41.6	-	10.7	32	2.0	77
72490.W0310	With screw	50	M 8	13.5	23.6	41.6	-	10.7	32	3.0	74



Order No.	Type	d <sub>1</sub>	d <sub>2</sub>	d <sub>4</sub>	d <sub>5</sub>	h <sub>1</sub>	h <sub>2</sub>	h <sub>3</sub>	l <sub>1</sub>	Tightening torque Nm ±10% max.	Weight g
72490.W0311	With screw	50	M 8	13.5	23.6	41.6	–	10.7	32	4.0	75
72490.W0312	With screw	50	M 8	13.5	23.6	41.6	–	10.7	40	2.0	76
72490.W0313	With screw	50	M 8	13.5	23.6	41.6	–	10.7	40	3.0	76
72490.W0314	With screw	50	M 8	13.5	23.6	41.6	–	10.7	40	4.0	77
72490.W0315	With screw	50	M10	13.5	23.6	41.6	–	10.7	20	2.0	73
72490.W0316	With screw	50	M10	13.5	23.6	41.6	–	10.7	20	3.0	73
72490.W0317	With screw	50	M10	13.5	23.6	41.6	–	10.7	20	4.0	74
72490.W0318	With screw	50	M10	13.5	23.6	41.6	–	10.7	25	2.0	76
72490.W0319	With screw	50	M10	13.5	23.6	41.6	–	10.7	25	3.0	76
72490.W0320	With screw	50	M10	13.5	23.6	41.6	–	10.7	25	4.0	77
72490.W0321	With screw	50	M10	13.5	23.6	41.6	–	10.7	32	2.0	80
72490.W0322	With screw	50	M10	13.5	23.6	41.6	–	10.7	32	3.0	80
72490.W0323	With screw	50	M10	13.5	23.6	41.6	–	10.7	32	4.0	81
72490.W0324	With screw	50	M10	13.5	23.6	41.6	–	10.7	40	2.0	82
72490.W0325	With screw	50	M10	13.5	23.6	41.6	–	10.7	40	3.0	82
72490.W0326	With screw	50	M10	13.5	23.6	41.6	–	10.7	40	4.0	83
72490.W0327	With screw	50	M10	13.5	23.6	41.6	–	10.7	50	2.0	87
72490.W0328	With screw	50	M10	13.5	23.6	41.6	–	10.7	50	3.0	87
72490.W0329	With screw	50	M10	13.5	23.6	41.6	–	10.7	50	4.0	88
72490.W0400	With screw	63	M 8	16.0	28.1	46.6	–	12.9	25	3.2	116
72490.W0401	With screw	63	M 8	16.0	28.1	46.6	–	12.9	25	4.0	117
72490.W0402	With screw	63	M 8	16.0	28.1	46.6	–	12.9	25	4.7	118
72490.W0403	With screw	63	M 8	16.0	28.1	46.6	–	12.9	32	3.2	119
72490.W0404	With screw	63	M 8	16.0	28.1	46.6	–	12.9	32	4.0	120
72490.W0405	With screw	63	M 8	16.0	28.1	46.6	–	12.9	32	4.7	121
72490.W0406	With screw	63	M 8	16.0	28.1	46.6	–	12.9	40	3.2	82
72490.W0407	With screw	63	M 8	16.0	28.1	46.6	–	12.9	40	4.0	83
72490.W0408	With screw	63	M 8	16.0	28.1	46.6	–	12.9	40	4.7	83
72490.W0409	With screw	63	M 8	16.0	28.1	46.6	–	12.9	50	3.2	128
72490.W0410	With screw	63	M 8	16.0	28.1	46.6	–	12.9	50	4.0	127
72490.W0411	With screw	63	M 8	16.0	28.1	46.6	–	12.9	50	4.7	128
72490.W0412	With screw	63	M 8	16.0	28.1	46.6	–	12.9	63	3.2	130
72490.W0413	With screw	63	M 8	16.0	28.1	46.6	–	12.9	63	4.0	131
72490.W0414	With screw	63	M 8	16.0	28.1	46.6	–	12.9	63	4.7	132
72490.W0415	With screw	63	M10	16.0	28.1	46.6	–	12.9	25	3.2	122
72490.W0416	With screw	63	M10	16.0	28.1	46.6	–	12.9	25	4.0	123
72490.W0417	With screw	63	M10	16.0	28.1	46.6	–	12.9	25	4.7	124
72490.W0418	With screw	63	M10	16.0	28.1	46.6	–	12.9	32	3.2	125
72490.W0419	With screw	63	M10	16.0	28.1	46.6	–	12.9	32	4.0	126
72490.W0420	With screw	63	M10	16.0	28.1	46.6	–	12.9	32	4.7	127
72490.W0421	With screw	63	M10	16.0	28.1	46.6	–	12.9	40	3.2	129
72490.W0422	With screw	63	M10	16.0	28.1	46.6	–	12.9	40	4.0	130
72490.W0423	With screw	63	M10	16.0	28.1	46.6	–	12.9	40	4.7	131
72490.W0424	With screw	63	M10	16.0	28.1	46.6	–	12.9	50	3.2	134
72490.W0425	With screw	63	M10	16.0	28.1	46.6	–	12.9	50	4.0	135
72490.W0426	With screw	63	M10	16.0	28.1	46.6	–	12.9	50	4.7	136
72490.W0427	With screw	63	M10	16.0	28.1	46.6	–	12.9	63	3.2	140
72490.W0428	With screw	63	M10	16.0	28.1	46.6	–	12.9	63	4.0	141
72490.W0429	With screw	63	M10	16.0	28.1	46.6	–	12.9	63	4.7	142
72490.W0500	With screw	80	M10	19.0	34.1	56.2	–	16.8	25	4.0	194
72490.W0501	With screw	80	M10	19.0	34.1	56.2	–	16.8	25	5.5	195
72490.W0502	With screw	80	M10	19.0	34.1	56.2	–	16.8	25	7.5	196
72490.W0503	With screw	80	M10	19.0	34.1	56.2	–	16.8	32	4.0	198
72490.W0504	With screw	80	M10	19.0	34.1	56.2	–	16.8	32	5.5	199
72490.W0505	With screw	80	M10	19.0	34.1	56.2	–	16.8	32	7.5	200
72490.W0506	With screw	80	M10	19.0	34.1	56.2	–	16.8	40	4.0	202
72490.W0507	With screw	80	M10	19.0	34.1	56.2	–	16.8	40	5.5	203
72490.W0508	With screw	80	M10	19.0	34.1	56.2	–	16.8	40	7.5	204
72490.W0509	With screw	80	M10	19.0	34.1	56.2	–	16.8	50	4.0	208
72490.W0510	With screw	80	M10	19.0	34.1	56.2	–	16.8	50	5.5	209
72490.W0511	With screw	80	M10	19.0	34.1	56.2	–	16.8	50	7.5	210
72490.W0512	With screw	80	M10	19.0	34.1	56.2	–	16.8	63	4.0	213
72490.W0513	With screw	80	M10	19.0	34.1	56.2	–	16.8	63	5.5	214
72490.W0514	With screw	80	M10	19.0	34.1	56.2	–	16.8	63	7.5	215
72490.W0515	With screw	80	M12	19.0	34.1	56.2	–	16.8	25	4.0	201
72490.W0516	With screw	80	M12	19.0	34.1	56.2	–	16.8	25	5.5	202
72490.W0517	With screw	80	M12	19.0	34.1	56.2	–	16.8	25	7.5	203



# Three-lobed Torque Handles



## Grips

Order No.	Type	d <sub>1</sub>	d <sub>2</sub>	d <sub>4</sub>	d <sub>5</sub>	h <sub>1</sub>	h <sub>2</sub>	h <sub>3</sub>	l <sub>1</sub>	Tightening torque Nm ±10% max.	Weight g
<b>72490.W0518</b>	With screw	80	M12	19.0	34.1	56.2	–	16.8	32	4.0	205
<b>72490.W0519</b>	With screw	80	M12	19.0	34.1	56.2	–	16.8	32	5.5	206
<b>72490.W0520</b>	With screw	80	M12	19.0	34.1	56.2	–	16.8	32	7.5	207
<b>72490.W0521</b>	With screw	80	M12	19.0	34.1	56.2	–	16.8	40	4.0	210
<b>72490.W0522</b>	With screw	80	M12	19.0	34.1	56.2	–	16.8	40	5.5	211
<b>72490.W0523</b>	With screw	80	M12	19.0	34.1	56.2	–	16.8	40	7.5	212
<b>72490.W0524</b>	With screw	80	M12	19.0	34.1	56.2	–	16.8	50	4.0	218
<b>72490.W0525</b>	With screw	80	M12	19.0	34.1	56.2	–	16.8	50	5.5	219
<b>72490.W0526</b>	With screw	80	M12	19.0	34.1	56.2	–	16.8	50	7.5	220
<b>72490.W0527</b>	With screw	80	M12	19.0	34.1	56.2	–	16.8	63	4.0	227
<b>72490.W0528</b>	With screw	80	M12	19.0	34.1	56.2	–	16.8	63	5.5	228
<b>72490.W0529</b>	With screw	80	M12	19.0	34.1	56.2	–	16.8	63	7.5	229

GRIPS