

## 77300

HANDWHEELS

### Material

Aluminium mould casting. Plastic handle PF 31, DIN 7708.  
Hub machined; rim turned and mirror-finished on all sides, non-machined surfaces cleanly blasted.

For corresponding handle details see no. 75120 rotating handle.

### Technical Notes

The non-machined, raw surfaces are blasted; together with the mirror-polished

rim these handwheels are therefore showing a finish which in most cases does not require additional lacquering.

**For keyways information (dim.  $t_1$  and  $b_3$ ) to DIN 6885.**

Order No.	Type	Bore dia.	$d_1$	$d_2$ tol. H7 Small	$d_2$ tol. H7 Large	$d_3$	$d_4$	$l_1$	$l_2$ $\approx$	$l_3$	$w_1$	Weight g
77300.W0012	W/o Keyway, W/o Handle	$d_2$ Small	125	12	14	31	-	18	33	15.0	-	301
77300.W0013	W/o Keyway, W/o Handle	$d_2$ Large	125	12	14	31	-	18	33	15.0	-	301
77300.W0014	W/o Keyway, W/o Handle	$d_2$ Small	140	14	16	36	-	19	36	16.5	-	400
77300.W0015	W/o Keyway, W/o Handle	$d_2$ Large	140	14	16	36	-	19	36	16.5	-	400
77300.W0016	W/o Keyway, W/o Handle	$d_2$ Small	160	14	16	36	-	20	39	18.0	-	520
77300.W0017	W/o Keyway, W/o Handle	$d_2$ Large	160	14	16	36	-	20	39	18.0	-	520
77300.W0020	W/o Keyway, W/o Handle	$d_2$ Small	200	18	20	42	-	24	45	20.5	-	886
77300.W0021	W/o Keyway, W/o Handle	$d_2$ Large	200	18	20	42	-	24	45	20.5	-	886
77300.W0025	W/o Keyway, W/o Handle	$d_2$ Small	250	22	26	48	-	28	51	23.0	-	1454
77300.W0026	W/o Keyway, W/o Handle	$d_2$ Large	250	22	26	48	-	28	51	23.0	-	1454
77300.W0112	With Keyway, W/o Handle	$d_2$ Small	125	12	14	31	-	18	33	15.0	-	303
77300.W0113	With Keyway, W/o Handle	$d_2$ Large	125	12	14	31	-	18	33	15.0	-	303
77300.W0114	With Keyway, W/o Handle	$d_2$ Small	140	14	16	36	-	19	36	16.5	-	406
77300.W0115	With Keyway, W/o Handle	$d_2$ Large	140	14	16	36	-	19	36	16.5	-	406
77300.W0116	With Keyway, W/o Handle	$d_2$ Small	160	14	16	36	-	20	39	18.0	-	542
77300.W0117	With Keyway, W/o Handle	$d_2$ Large	160	14	16	36	-	20	39	18.0	-	542
77300.W0120	With Keyway, W/o Handle	$d_2$ Small	200	18	20	42	-	24	45	20.5	-	914
77300.W0121	With Keyway, W/o Handle	$d_2$ Large	200	18	20	42	-	24	45	20.5	-	914
77300.W0125	With Keyway, W/o Handle	$d_2$ Small	250	22	26	48	-	28	51	23.0	-	1446
77300.W0126	With Keyway, W/o Handle	$d_2$ Large	250	22	26	48	-	28	51	23.0	-	1446
77300.W0512	W/o Keyway, With Handle	$d_2$ Small	125	12	14	31	M 8	18	33	15.0	23	390
77300.W0513	W/o Keyway, With Handle	$d_2$ Large	125	12	14	31	M 8	18	33	15.0	23	390
77300.W0514	W/o Keyway, With Handle	$d_2$ Small	140	14	16	36	M 8	19	36	16.5	23	490
77300.W0515	W/o Keyway, With Handle	$d_2$ Large	140	14	16	36	M 8	19	36	16.5	23	490
77300.W0516	W/o Keyway, With Handle	$d_2$ Small	160	14	16	36	M10	20	39	18.0	26	645
77300.W0517	W/o Keyway, With Handle	$d_2$ Large	160	14	16	36	M10	20	39	18.0	26	645
77300.W0520	W/o Keyway, With Handle	$d_2$ Small	200	18	20	42	M10	24	45	20.5	26	1000
77300.W0521	W/o Keyway, With Handle	$d_2$ Large	200	18	20	42	M10	24	45	20.5	26	1000
77300.W0525	W/o Keyway, With Handle	$d_2$ Small	250	22	26	48	M10	28	51	23.0	28	1585
77300.W0526	W/o Keyway, With Handle	$d_2$ Large	250	22	26	48	M10	28	51	23.0	28	1585
77300.W0612	With Keyway, With Handle	$d_2$ Small	125	12	14	31	M 8	18	33	15.0	23	390
77300.W0613	With Keyway, With Handle	$d_2$ Large	125	12	14	31	M 8	18	33	15.0	23	390



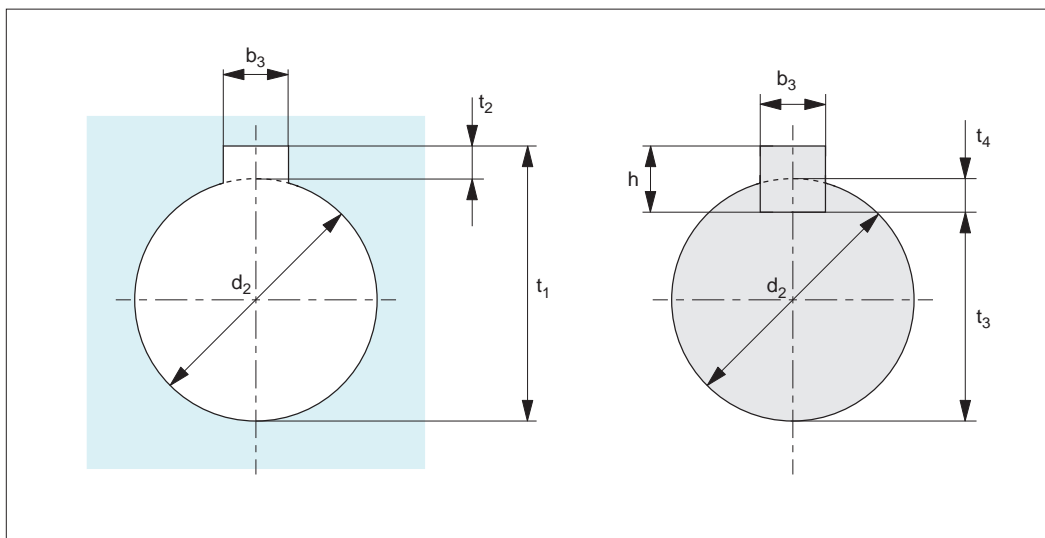
Order No.	Type	Bore dia.	d <sub>1</sub>	d <sub>2</sub>		d <sub>3</sub>	d <sub>4</sub>	l <sub>1</sub>	l <sub>2</sub> ~	l <sub>3</sub>	w <sub>1</sub>	Weight g
				tol. H7 <sup>2</sup> Small	tol. H7 <sup>2</sup> Large							
<b>77300.W0614</b>	With Keyway, With Handle	d <sub>2</sub> Small	140	14	16	36	M 8	19	36	16.5	23	490
<b>77300.W0615</b>	With Keyway, With Handle	d <sub>2</sub> Large	140	14	16	36	M 8	19	36	16.5	23	490
<b>77300.W0616</b>	With Keyway, With Handle	d <sub>2</sub> Small	160	14	16	36	M10	20	39	18.0	26	645
<b>77300.W0617</b>	With Keyway, With Handle	d <sub>2</sub> Large	160	14	16	36	M10	20	39	18.0	26	645
<b>77300.W0620</b>	With Keyway, With Handle	d <sub>2</sub> Small	200	18	20	42	M10	24	45	20.5	26	1000
<b>77300.W0621</b>	With Keyway, With Handle	d <sub>2</sub> Large	200	18	20	42	M10	24	45	20.5	26	1000
<b>77300.W0625</b>	With Keyway, With Handle	d <sub>2</sub> Small	250	22	26	48	M10	28	51	23.0	28	1585
<b>77300.W0626</b>	With Keyway, With Handle	d <sub>2</sub> Large	250	22	26	48	M10	28	51	23.0	28	1585

HANDWHEELS



# Keyway Dimensions to DIN 6885

## Knobs, Handles & Handwheels



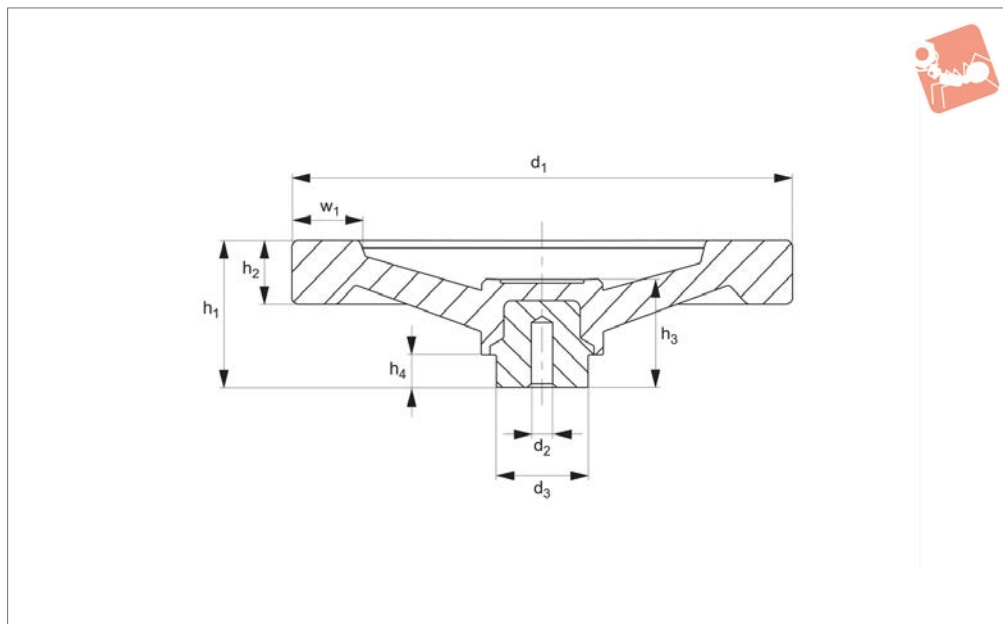
$d_2$	$b_{P9/JS9}$ hole	$b_{P9/N9}$ shaft	$h$	$t_1 = d_2 + t_2$	$t_2$	$t_3 = d_2 - t_4$	$t_4$
7	2	2	2	8	1+0,1	5,8	1,2+0,1
8	2	2	2	9	1	6,8	1,2
9	3	3	3	10,4	1,4	7,2	1,8
10	3	3	3	11,4	1,4	8,2	1,8
11	4	4	4	12,8	1,8	8,5	2,5
12	4	4	4	13,8	1,8	9,5	2,5
13	5	5	5	15,3	2,3	10	3
14	5	5	5	16,3	2,3	11	3
15	5	5	5	17,3	2,3	12	3
16	5	5	5	18,3	2,3	13	3
17	5	5	5	19,3	2,3	14	3
18	6	6	6	20,8	2,8	14,5	3,5
20	6	6	6	22,8	2,8	16,5	3,5
22	6	6	6	24,8	2,8	18,5	3,5
24	8	8	7	27,3	3,3+0,2	20	4+0,2
25	8	8	7	28,3	3,3	21	4
26	8	8	7	29,3	3,3	22	4
28	8	8	7	31,3	3,3	24	4
30	8	8	7	33,3	3,3	26	4
32	10	10	8	35,3	3,3	27	5
34	10	10	8	37,3	3,3	29	5
35	10	10	8	38,3	3,3	30	5
36	10	10	8	39,3	3,3	31	5
38	10	10	8	41,3	3,3	33	5
40	12	12	8	43,3	3,3	35	5
42	12	12	8	45,3	3,3	37	5
44	12	12	8	47,3	3,3	39	5

HANDWHEELS

ov-W77100-A-T-W77400-AL1458-T-keyway-dimensions-din-6885-rmh-Updated -27-10-2022



77340



**Material**

Duroplast, black, matt. Zinc plated steel hub.

**Technical Notes**

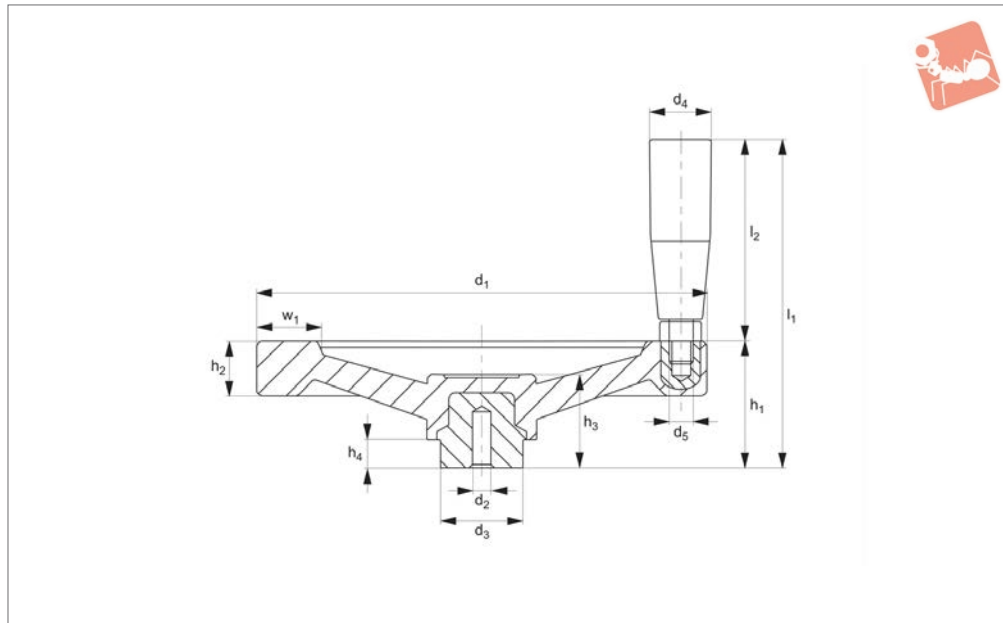
The pilot hole allows various sizes of holes, keyways etc. to be machined into the hub

upon request.

Order No.	d <sub>1</sub>	d <sub>2</sub>	d <sub>3</sub>	h <sub>1</sub>	h <sub>2</sub>	h <sub>3</sub>	h <sub>4</sub>	w <sub>1</sub>	Weight g
77340.W0100	100	4	24	36	14	30	11	15	169
77340.W0125	125	4	24	41	16	34	11	18	253
77340.W0150	125	6	32	46	20	38	13	21	433
77340.W0200	200	6	40	62	25	45	16	26	933
77340.W0250	250	8	48	70	28	50	17	30	1484



# Two Spoked Handwheels with rotating grip



**77360**

HANDWHEELS

**Material**

Black duroplast. Zinc plated steel hub.

keyways etc. to be machined into the hub upon request.

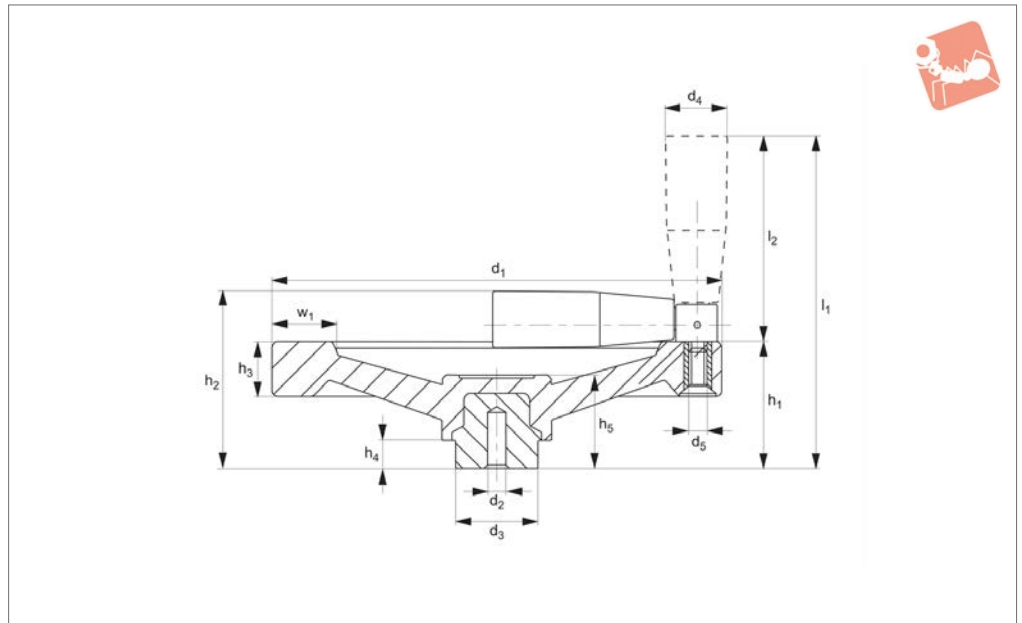
**Technical Notes**

The pilot hole allows various sizes of holes,

Order No.	Type	d <sub>1</sub>	d <sub>2</sub>	d <sub>3</sub>	d <sub>4</sub>	d <sub>5</sub>	h <sub>1</sub>	h <sub>2</sub>	h <sub>3</sub>	h <sub>4</sub>	l <sub>1</sub>	l <sub>2</sub>	w <sub>1</sub>	Weight g
<b>77360.W0100</b>	Standard	100	4	24	17	M 8	36	14	30	11	81	40	15	198
<b>77360.W0125</b>	Standard	125	4	24	23	M 8	41	16	34	11	102	55	18	312
<b>77360.W0150</b>	Standard	150	6	32	25	M10	46	20	38	13	117	65	21	525
<b>77360.W0200</b>	Standard	200	6	40	28	M10	62	25	45	16	154	85	26	1070
<b>77360.W0250</b>	Standard	250	8	48	28	M10	70	28	50	17	162	85	30	1628
<b>77360.W0600</b>	Reinforced	100	4	24	17	M 8	36	14	30	11	81	40	15	195
<b>77360.W0625</b>	Reinforced	125	4	24	23	M 8	41	16	34	11	102	55	18	317
<b>77360.W0650</b>	Reinforced	150	6	32	25	M10	46	20	38	13	117	65	21	519
<b>77360.W0700</b>	Reinforced	200	6	40	28	M10	62	25	45	16	154	85	26	1080
<b>77360.W0750</b>	Reinforced	250	8	48	28	M10	70	28	50	17	162	85	30	1662



**77380**



**Material**

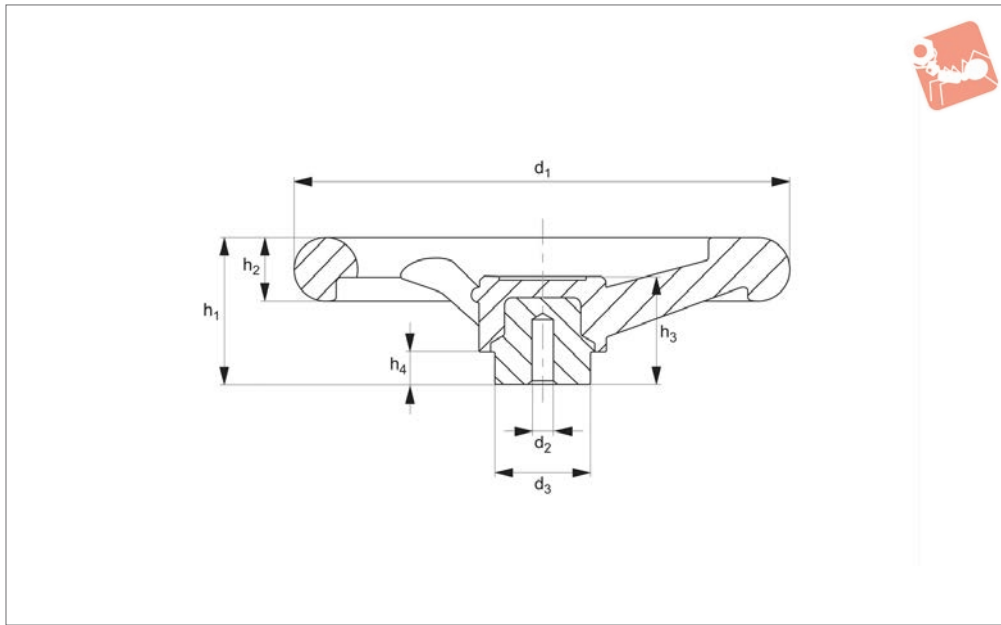
Duroplast, black. Zinc plated steel hub.  
Fold-away revolving handle.

**Technical Notes**

The pilot hole allows various sizes of holes,  
keyways etc. to be machined into the hub

upon request.

Order No.	d <sub>1</sub>	d <sub>2</sub>	d <sub>3</sub>	d <sub>4</sub>	d <sub>5</sub>	h <sub>1</sub>	h <sub>2</sub>	h <sub>3</sub>	h <sub>4</sub>	h <sub>5</sub>	l <sub>1</sub>	l <sub>2</sub>	w <sub>1</sub>	Weight g
<b>77380.W0125</b>	125	4	24	23	M 5	41	61	16	11	34	112	55	18	318
<b>77380.W0150</b>	150	6	32	25	M 6	46	67	20	13	38	128	65	21	500
<b>77380.W0200</b>	200	6	40	28	M 6	62	86	25	16	45	167	85	26	995
<b>77380.W0250</b>	250	8	48	28	M 6	70	94	28	17	50	175	85	30	1340



## 77010

HANDWHEELS

### Material

**Standard:** Duroplast, black. Zinc plated steel hub.

**Reinforced:** Duroplast with glass fibre

beads of increased strength, black zinc plated steel hub.

### Technical Notes

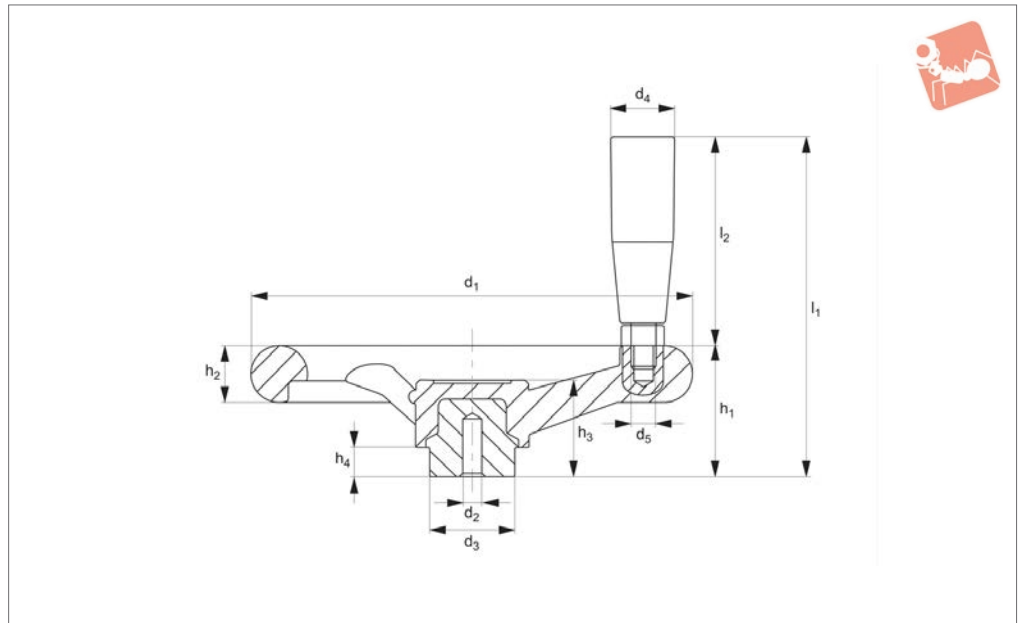
The pilot hole allows various sizes of holes, keyways etc. to be machined into the boss.

### Order No.

- 77010.W0100
- 77010.W0125
- 77010.W0150
- 77010.W0175
- 77010.W0200
- 77010.W0250
- 77010.W0300
- 77010.W0500
- 77010.W0525
- 77010.W0550
- 77010.W0575
- 77010.W0700
- 77010.W0750
- 77010.W0800



**77030**



**Material**

**Standard:** Duroplast, black. Zinc plated steel hub. Revolving handle.

**Reinforced:** Duroplast with glass fibre

beads for increased strength, black zinc plated steel auto-revolving handle.

**Technical Notes**

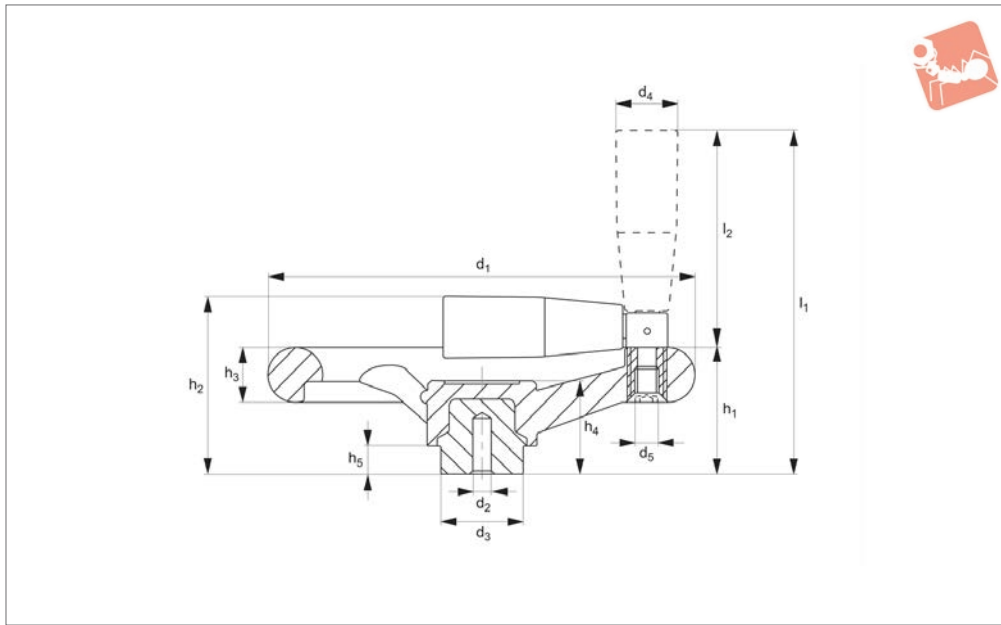
The pilot hole allows various sizes of holes, keyways etc. to be machined into the hub. Corresponding rotating handle 75100.

Order No.	Type	d <sub>1</sub>	d <sub>2</sub>	d <sub>3</sub>	l <sub>1</sub>	l <sub>2</sub>	h <sub>1</sub>	h <sub>2</sub>	h <sub>3</sub>	h <sub>4</sub>	d <sub>4</sub>	d <sub>5</sub>	Weight g
77030.W0100	Standard	100	4	24	85	40	40	15	34	11	17	M 8	189
77030.W0125	Standard	125	6	24	107	55	46	17	37	13	23	M 8	300
77030.W0150	Standard	150	6	32	120	65	49	20	38	13	25	M10	470
77030.W0175	Standard	175	6	40	127	65	56	22	42	16	25	M10	695
77030.W0200	Standard	200	8	40	153	85	61	24	45	16	28	M10	880
77030.W0250	Standard	250	10	48	164	85	72	28	50	17	28	M10	1335
77030.W0300	Standard	300	10	58	170	85	78	34	56	18	28	M10	2165
77030.W0500	Reinforced	100	4	24	85	40	40	15	34	11	17	M 8	191
77030.W0525	Reinforced	125	6	24	107	55	46	17	37	13	23	M 8	309
77030.W0550	Reinforced	150	6	32	120	65	49	20	38	13	25	M10	484
77030.W0575	Reinforced	175	6	40	127	65	56	22	42	16	25	M10	694
77030.W0700	Reinforced	200	8	40	153	85	61	24	45	16	28	M10	897
77030.W0750	Reinforced	250	10	48	164	85	72	28	50	17	28	M10	1367
77030.W0800	Reinforced	300	10	58	170	85	78	34	56	18	28	M10	2130





# Three Spoked Handwheels with fold-away rotating grip



**77040**

HANDWHEELS

### Material

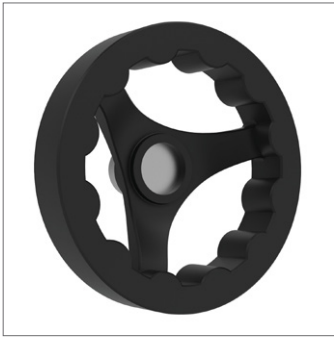
Duroplast, black. Zinc plated steel hub.  
With fold-away revolving grip.

### Technical Notes

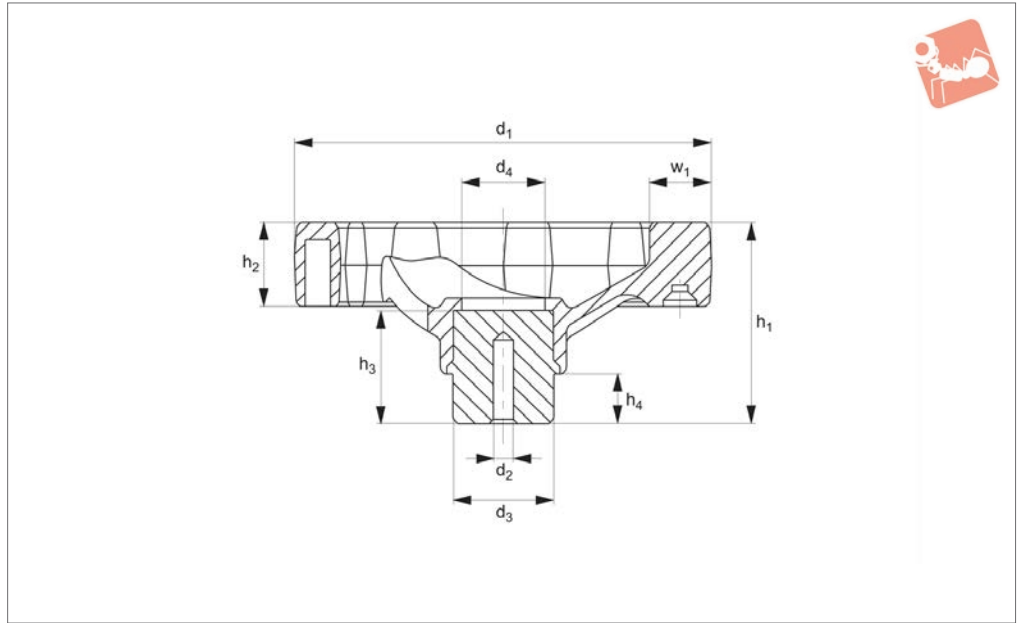
The pilot hole allows various sizes of holes,  
keyways etc. to be machined into the hub.

Corresponding rotating handle 75150.

Order No.	d <sub>1</sub>	d <sub>2</sub>	d <sub>3</sub>	l <sub>1</sub>	l <sub>2</sub>	h <sub>1</sub>	h <sub>2</sub>	h <sub>3</sub>	h <sub>4</sub>	h <sub>5</sub>	d <sub>4</sub>	d <sub>5</sub>	Weight g
<b>77040.W0125</b>	125	6	24	118	55	46	66	17	37	13	23	M 5	322
<b>77040.W0150</b>	150	6	32	131	65	49	70	20	38	13	25	M 6	487
<b>77040.W0175</b>	175	6	40	138	65	56	77	22	42	16	25	M 6	698
<b>77040.W0200</b>	200	6	40	166	85	61	85	24	45	16	28	M 6	910
<b>77040.W0250</b>	250	8	48	177	85	72	96	28	50	17	28	M 6	1380
<b>77040.W0300</b>	300	8	58	183	85	78	102	34	56	18	28	M 6	2142



77060



HANDWHEELS

**Material**

Black, matt, thermoplastic, with zinc plated steel hub.

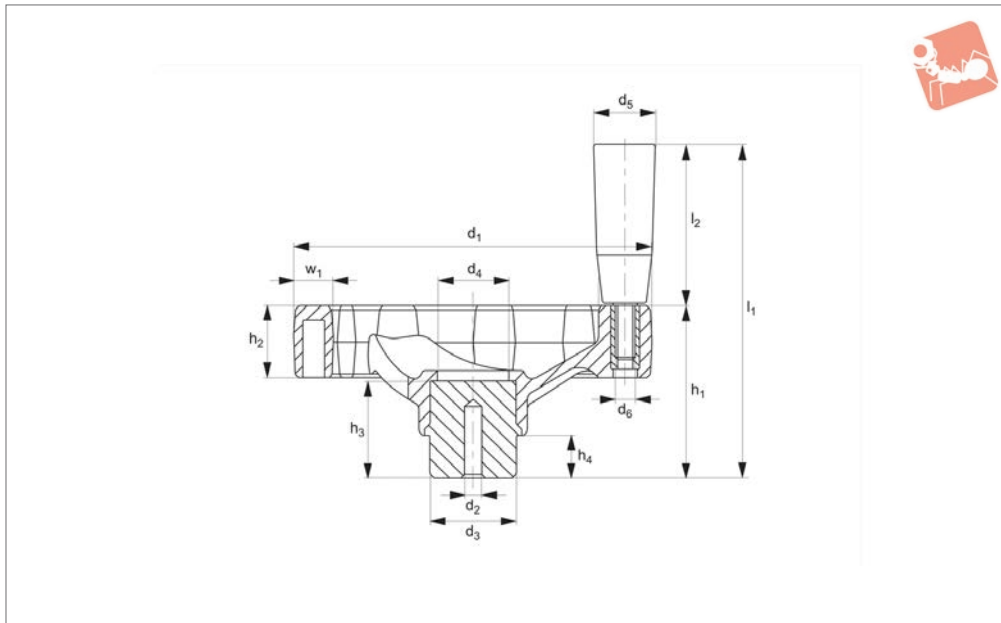
**Technical Notes**

The pilot hole allows various sizes of holes, keyways etc. to be machined into the hub.

Order No.	d <sub>1</sub>	d <sub>2</sub>	d <sub>3</sub>	h <sub>1</sub>	h <sub>2</sub>	h <sub>3</sub>	h <sub>4</sub>	d <sub>4</sub>	w <sub>1</sub>	Weight g
77060.W0100	100	4	24	46	20	24	12	18	15	150
77060.W0125	125	6	24	51	24	28	12	20	17	241
77060.W0160	160	6	32	61	28	31	15	30	20	444
77060.W0200	200	6	40	74	32	40	15	35	24	834



# Three Spoked Handwheels with rotating grip



**77070**

HANDWHEELS

### Material

Thermoplastic, black, matt. Zinc plated steel hub. Revolving handle.

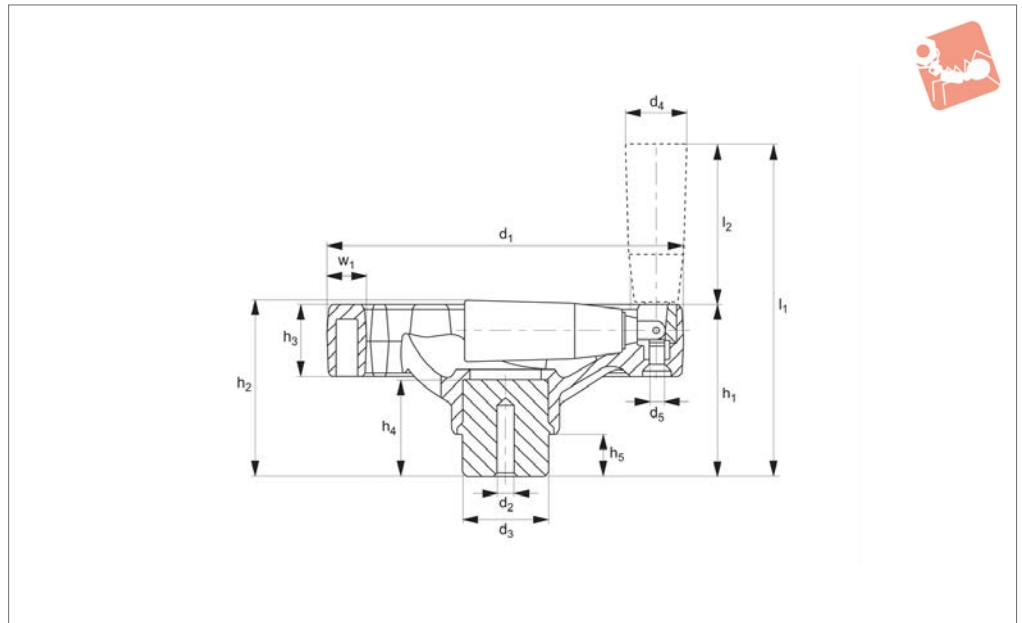
### Technical Notes

The pilot hole allows various sizes of holes, keyways etc. to be machined into the hub.

Order No.	d <sub>1</sub>	d <sub>2</sub>	d <sub>3</sub>	l <sub>1</sub>	l <sub>2</sub>	h <sub>1</sub>	h <sub>2</sub>	h <sub>3</sub>	h <sub>4</sub>	d <sub>4</sub>	d <sub>5</sub>	d <sub>6</sub>	w <sub>1</sub>	Weight g
<b>77070.W0100</b>	100	4	24	96	50	46	20	24	12	18	21	M 6	15	192
<b>77070.W0125</b>	125	6	24	101	50	51	24	28	12	20	21	M 6	17	261
<b>77070.W0160</b>	160	6	32	131	70	61	28	31	15	30	23	M 8	20	484
<b>77070.W0200</b>	200	6	40	164	90	74	32	40	15	35	26	M10	24	906



**77080**



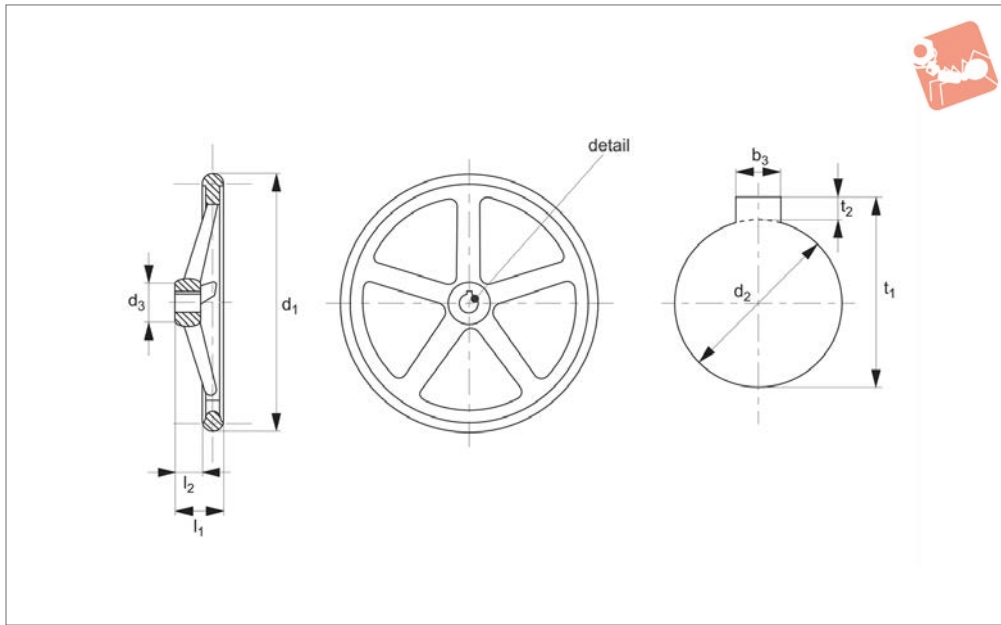
### Material

Thermoplastic, black, matt. Zinc plated steel hub. Fold-away revolving handle.

### Technical Notes

The pilot hole allows various sizes of holes, keyways etc. to be machined into the hub.

Order No.	d <sub>1</sub>	d <sub>2</sub>	d <sub>3</sub>	l <sub>1</sub>	l <sub>2</sub>	h <sub>1</sub>	h <sub>2</sub>	h <sub>3</sub>	h <sub>4</sub>	h <sub>5</sub>	d <sub>4</sub>	d <sub>5</sub>	w <sub>1</sub>	Weight g
<b>77080.W0100</b>	100	4	24	100	54	46	50	20	24	12	21	M 4	15	205
<b>77080.W0125</b>	125	6	24	105	54	51	54	24	28	12	21	M 4	17	277
<b>77080.W0160</b>	160	6	32	135	74	61	65	28	31	15	23	M 5	20	503
<b>77080.W0200</b>	200	6	40	168	94	74	79	32	40	15	26	M 6	24	935



## 77100

HANDWHEELS

### Material

Handwheel: Grey cast iron GG.  
Hub machined; rim turned and mirror-finished on all sides, non-machined

surfaces cleanly blasted.

### Technical Notes

Produced to DIN 950.

There are gripping indentations on the rear sides.

**For keyways information (dim.  $t_1$  and  $b_3$ ) to DIN 6885.**

Order No.	Type	Bore dia.	$d_1$	$d_2$		$d_3$	$l_1 \approx$	$l_2$	No. of spokes	Corresp. handle dia.	Weight g
				tol. H7 Small	tol. H7 Large						
77100.W0000	W/o Keyway, W/o Handle	$d_2$ Small	80	10	12	24	29	16	3		311
77100.W0001	W/o Keyway, W/o Handle	$d_2$ Large	80	10	12	24	29	16	3		311
77100.W0005	W/o Keyway, W/o Handle	$d_2$ Small	100	10	12	26	33	17	3		486
77100.W0006	W/o Keyway, W/o Handle	$d_2$ Large	100	10	12	26	33	17	3		486
77100.W0010	W/o Keyway, W/o Handle	$d_2$ Small	125	12	14	28	36	18	3		720
77100.W0011	W/o Keyway, W/o Handle	$d_2$ Large	125	12	14	28	36	18	3		720
77100.W0015	W/o Keyway, W/o Handle	$d_2$ Small	140	14	16	30	39	19	3		879
77100.W0016	W/o Keyway, W/o Handle	$d_2$ Large	140	14	16	30	39	19	3		879
77100.W0020	W/o Keyway, W/o Handle	$d_2$ Small	160	14	16	32	40	20	3		1151
77100.W0021	W/o Keyway, W/o Handle	$d_2$ Large	160	14	16	32	40	20	3		1151
77100.W0030	W/o Keyway, W/o Handle	$d_2$ Small	200	18	22	38	45	24	3		2218
77100.W0031	W/o Keyway, W/o Handle	$d_2$ Large	200	18	22	38	45	24	3		2218
77100.W0040	W/o Keyway, W/o Handle	$d_2$ Small	250	22	26	45	50	28	5		3735
77100.W0041	W/o Keyway, W/o Handle	$d_2$ Large	250	22	26	45	50	28	5		3735
77100.W0045	W/o Keyway, W/o Handle	$d_2$ Small	315	26	30	53	56	33	5		6180
77100.W0046	W/o Keyway, W/o Handle	$d_2$ Large	315	26	30	53	56	33	5		6180
77100.W0050	W/o Keyway, W/o Handle	$d_2$ Small	400	30	34	65	63	38	5		9500
77100.W0051	W/o Keyway, W/o Handle	$d_2$ Large	400	30	34	65	63	38	5		9500
77100.W0100	With Keyway, W/o Handle	$d_2$ Small	80	10	12	24	29	16	3		360
77100.W0101	With Keyway, W/o Handle	$d_2$ Large	80	10	12	24	29	16	3		360
77100.W0105	With Keyway, W/o Handle	$d_2$ Small	100	10	12	26	33	17	3		500
77100.W0106	With Keyway, W/o Handle	$d_2$ Large	100	10	12	26	33	17	3		500
77100.W0110	With Keyway, W/o Handle	$d_2$ Small	125	12	14	28	36	18	3		750
77100.W0111	With Keyway, W/o Handle	$d_2$ Large	125	12	14	28	36	18	3		750
77100.W0115	With Keyway, W/o Handle	$d_2$ Small	140	14	16	30	39	19	3		902
77100.W0116	With Keyway, W/o Handle	$d_2$ Large	140	14	16	30	39	19	3		902
77100.W0120	With Keyway, W/o Handle	$d_2$ Small	160	14	16	32	40	20	3		1139
77100.W0121	With Keyway, W/o Handle	$d_2$ Large	160	14	16	32	40	20	3		1139
77100.W0130	With Keyway, W/o Handle	$d_2$ Small	200	18	22	38	45	24	3		2142
77100.W0131	With Keyway, W/o Handle	$d_2$ Large	200	18	22	38	45	24	3		2142
77100.W0140	With Keyway, W/o Handle	$d_2$ Small	250	22	26	45	50	28	5		3652
77100.W0141	With Keyway, W/o Handle	$d_2$ Large	250	22	26	45	50	28	5		3652
77100.W0145	With Keyway, W/o Handle	$d_2$ Small	315	26	30	53	56	33	5		5800



Order No.	Type	Bore dia.	d <sub>1</sub>	d <sub>2</sub> tol. H7 Small	d <sub>2</sub> tol. H7 Large	d <sub>3</sub>	l <sub>1</sub> ≈	l <sub>2</sub>	No. of spokes	Corresp. handle dia.	Weight g
77100.W0146	With Keyway, W/o Handle	d <sub>2</sub> Large	315	26	30	53	56	33	5		5800
77100.W0150	With Keyway, W/o Handle	d <sub>2</sub> Small	400	30	34	65	63	38	5		9500
77100.W0151	With Keyway, W/o Handle	d <sub>2</sub> Large	400	30	34	65	63	38	5		9500
77100.W0200	W/o Keyway, Rotating Handle	d <sub>2</sub> Small	80	10	12	24	29	16	3	16	410
77100.W0201	W/o Keyway, Rotating Handle	d <sub>2</sub> Large	80	10	12	24	29	16	3	16	410
77100.W0205	W/o Keyway, Rotating Handle	d <sub>2</sub> Small	100	10	12	26	33	17	3	16	550
77100.W0206	W/o Keyway, Rotating Handle	d <sub>2</sub> Large	100	10	12	26	33	17	3	16	550
77100.W0210	W/o Keyway, Rotating Handle	d <sub>2</sub> Small	125	12	14	28	36	18	3	20	850
77100.W0211	W/o Keyway, Rotating Handle	d <sub>2</sub> Large	125	12	14	28	36	18	3	20	850
77100.W0215	W/o Keyway, Rotating Handle	d <sub>2</sub> Small	140	14	16	30	39	19	3	20	1040
77100.W0216	W/o Keyway, Rotating Handle	d <sub>2</sub> Large	140	14	16	30	39	19	3	20	1040
77100.W0220	W/o Keyway, Rotating Handle	d <sub>2</sub> Small	160	14	16	32	40	20	3	25	1390
77100.W0221	W/o Keyway, Rotating Handle	d <sub>2</sub> Large	160	14	16	32	40	20	3	25	1390
77100.W0230	W/o Keyway, Rotating Handle	d <sub>2</sub> Small	200	18	22	38	45	24	3	25	2190
77100.W0231	W/o Keyway, Rotating Handle	d <sub>2</sub> Large	200	18	22	38	45	24	3	25	2190
77100.W0240	W/o Keyway, Rotating Handle	d <sub>2</sub> Small	250	22	26	45	50	28	5	32	4185
77100.W0241	W/o Keyway, Rotating Handle	d <sub>2</sub> Large	250	22	26	45	50	28	5	32	4185
77100.W0245	W/o Keyway, Rotating Handle	d <sub>2</sub> Small	315	26	30	53	56	33	5	32	6185
77100.W0246	W/o Keyway, Rotating Handle	d <sub>2</sub> Large	315	26	30	53	56	33	5	32	6185
77100.W0250	W/o Keyway, Rotating Handle	d <sub>2</sub> Small	400	30	34	65	63	38	5	36	10500
77100.W0251	W/o Keyway, Rotating Handle	d <sub>2</sub> Large	400	30	34	65	63	38	5	36	10500
77100.W0300	With Keyway, Rotating Handle	d <sub>2</sub> Small	80	10	12	24	29	16	3	16	410
77100.W0301	With Keyway, Rotating Handle	d <sub>2</sub> Large	80	10	12	24	29	16	3	16	410
77100.W0305	With Keyway, Rotating Handle	d <sub>2</sub> Small	100	10	12	26	33	17	3	16	550
77100.W0306	With Keyway, Rotating Handle	d <sub>2</sub> Large	100	10	12	26	33	17	3	16	550
77100.W0310	With Keyway, Rotating Handle	d <sub>2</sub> Small	125	12	14	28	36	18	3	20	850
77100.W0311	With Keyway, Rotating Handle	d <sub>2</sub> Large	125	12	14	28	36	18	3	20	850
77100.W0315	With Keyway, Rotating Handle	d <sub>2</sub> Small	140	14	16	30	39	19	3	20	1040
77100.W0316	With Keyway, Rotating Handle	d <sub>2</sub> Large	140	14	16	30	39	19	3	20	1040
77100.W0320	With Keyway, Rotating Handle	d <sub>2</sub> Small	160	14	16	32	40	20	3	25	1390
77100.W0321	With Keyway, Rotating Handle	d <sub>2</sub> Large	160	14	16	32	40	20	3	25	1390
77100.W0330	With Keyway, Rotating Handle	d <sub>2</sub> Small	200	18	22	38	45	24	3	25	2190
77100.W0331	With Keyway, Rotating Handle	d <sub>2</sub> Large	200	18	22	38	45	24	3	25	2190
77100.W0340	With Keyway, Rotating Handle	d <sub>2</sub> Small	250	22	26	45	50	28	5	32	4185
77100.W0341	With Keyway, Rotating Handle	d <sub>2</sub> Large	250	22	26	45	50	28	5	32	4185
77100.W0345	With Keyway, Rotating Handle	d <sub>2</sub> Small	315	26	30	53	56	33	5	32	6185
77100.W0346	With Keyway, Rotating Handle	d <sub>2</sub> Large	315	26	30	53	56	33	5	32	6185
77100.W0350	With Keyway, Rotating Handle	d <sub>2</sub> Small	400	30	34	65	63	38	5	36	10500
77100.W0351	With Keyway, Rotating Handle	d <sub>2</sub> Large	400	30	34	65	63	38	5	36	10500
77100.W0400	W/o Keyway, Fixed Handle	d <sub>2</sub> Small	80	10	12	24	29	16	3	16	410
77100.W0401	W/o Keyway, Fixed Handle	d <sub>2</sub> Large	80	10	12	24	29	16	3	16	410
77100.W0410	W/o Keyway, Fixed Handle	d <sub>2</sub> Small	125	10	12	28	36	18	3	20	835
77100.W0411	W/o Keyway, Fixed Handle	d <sub>2</sub> Large	125	10	12	28	36	18	3	20	835
77100.W0415	W/o Keyway, Fixed Handle	d <sub>2</sub> Small	140	12	14	30	39	19	3	20	1025
77100.W0416	W/o Keyway, Fixed Handle	d <sub>2</sub> Large	140	12	14	30	39	19	3	20	1025
77100.W0420	W/o Keyway, Fixed Handle	d <sub>2</sub> Small	160	14	16	32	40	20	3	25	1380
77100.W0421	W/o Keyway, Fixed Handle	d <sub>2</sub> Large	160	14	16	32	40	20	3	25	1380
77100.W0430	W/o Keyway, Fixed Handle	d <sub>2</sub> Small	200	14	16	38	45	24	3	25	2180
77100.W0431	W/o Keyway, Fixed Handle	d <sub>2</sub> Large	200	14	16	38	45	24	3	25	2180
77100.W0440	W/o Keyway, Fixed Handle	d <sub>2</sub> Small	250	18	22	45	50	28	5	32	4160
77100.W0441	W/o Keyway, Fixed Handle	d <sub>2</sub> Large	250	18	22	45	50	28	5	32	4160
77100.W0445	W/o Keyway, Fixed Handle	d <sub>2</sub> Small	315	22	26	53	56	33	5	32	6160
77100.W0446	W/o Keyway, Fixed Handle	d <sub>2</sub> Large	315	22	26	53	56	33	5	32	6160
77100.W0450	W/o Keyway, Fixed Handle	d <sub>2</sub> Small	400	26	30	65	63	38	5	36	10460
77100.W0451	W/o Keyway, Fixed Handle	d <sub>2</sub> Large	400	26	30	65	63	38	5	36	10460
77100.W0500	With Keyway, Fixed Handle	d <sub>2</sub> Small	80	30	34	24	29	16	3	16	410
77100.W0501	With Keyway, Fixed Handle	d <sub>2</sub> Large	80	30	34	24	29	16	3	16	410
77100.W0505	With Keyway, Fixed Handle	d <sub>2</sub> Small	100	10	12	26	33	17	3	16	550
77100.W0506	With Keyway, Fixed Handle	d <sub>2</sub> Large	100	10	12	26	33	17	3	16	550
77100.W0510	With Keyway, Fixed Handle	d <sub>2</sub> Small	125	10	12	28	36	18	3	20	835
77100.W0511	With Keyway, Fixed Handle	d <sub>2</sub> Large	125	10	12	28	36	18	3	20	835
77100.W0515	With Keyway, Fixed Handle	d <sub>2</sub> Small	140	12	14	30	39	19	3	20	1025
77100.W0516	With Keyway, Fixed Handle	d <sub>2</sub> Large	140	12	14	30	39	19	3	20	1025
77100.W0520	With Keyway, Fixed Handle	d <sub>2</sub> Small	160	14	16	32	40	20	3	25	1380
77100.W0521	With Keyway, Fixed Handle	d <sub>2</sub> Large	160	14	16	32	40	20	3	25	1380
77100.W0530	With Keyway, Fixed Handle	d <sub>2</sub> Small	200	18	22	38	45	24	3	25	2180
77100.W0531	With Keyway, Fixed Handle	d <sub>2</sub> Large	200	18	22	38	45	24	3	25	2180



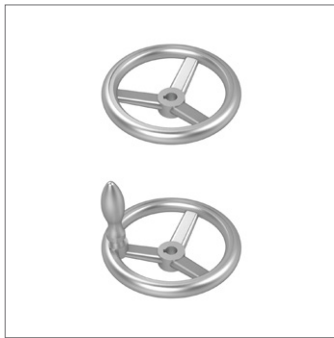
# Cast Iron Handwheels



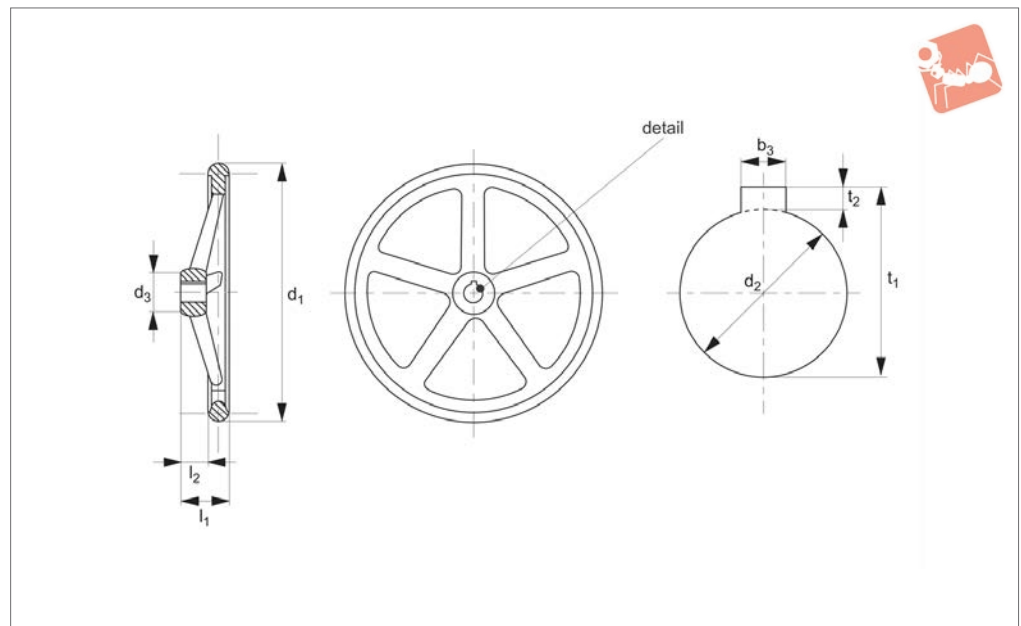
Order No.	Type	Bore dia.	d <sub>1</sub>	d <sub>2</sub> tol. H7 Small	d <sub>2</sub> tol. H7 Large	d <sub>3</sub>	l <sub>1</sub> ≈	l <sub>2</sub>	No. of spokes	Corresp. handle dia.	Weight g
<b>77100.W0540</b>	With Keyway, Fixed Handle	d <sub>2</sub> Small	250	22	26	45	50	28	5	32	4160
<b>77100.W0541</b>	With Keyway, Fixed Handle	d <sub>2</sub> Large	250	22	26	45	50	28	5	32	4160
<b>77100.W0545</b>	With Keyway, Fixed Handle	d <sub>2</sub> Small	315	26	30	53	56	33	5	32	6160
<b>77100.W0546</b>	With Keyway, Fixed Handle	d <sub>2</sub> Large	315	26	30	53	56	33	5	32	6160
<b>77100.W0550</b>	With Keyway, Fixed Handle	d <sub>2</sub> Small	400	30	34	65	63	38	5	36	10460
<b>77100.W0551</b>	With Keyway, Fixed Handle	d <sub>2</sub> Large	400	30	34	65	63	38	5	36	10460

HANDWHEELS





## 77120



### Material

Aluminium, deburred. Hub machined, rim polished. For corresponding handle details

see no. 75060.

### Technical Notes

Produced to DIN 950.

For keyways information (dim.  $t_1$  and  $b_3$ ) to DIN 6885.

Order No.	Type	Bore dia.	$d_1$	$d_2$ tol. H7 Small	$d_2$ tol. H7 Large	$d_3$	$l_1$ ≈	$l_2$	No. of spokes	Corresp. handle dia.	Weight g
77120.W0000	W/o Keyway, W/o Handle	$d_2$ Small	80	10	12	24	29	16	3		92
77120.W0001	W/o Keyway, W/o Handle	$d_2$ Large	80	10	12	24	29	16	3		92
77120.W0005	W/o Keyway, W/o Handle	$d_2$ Small	100	10	12	26	33	17	3		160
77120.W0006	W/o Keyway, W/o Handle	$d_2$ Large	100	10	12	26	33	17	3		160
77120.W0010	W/o Keyway, W/o Handle	$d_2$ Small	125	12	14	28	36	18	3		237
77120.W0011	W/o Keyway, W/o Handle	$d_2$ Large	125	12	14	28	36	18	3		237
77120.W0015	W/o Keyway, W/o Handle	$d_2$ Small	140	14	16	30	39	19	3		295
77120.W0016	W/o Keyway, W/o Handle	$d_2$ Large	140	14	16	30	39	19	3		295
77120.W0020	W/o Keyway, W/o Handle	$d_2$ Small	160	14	16	32	40	20	3		435
77120.W0021	W/o Keyway, W/o Handle	$d_2$ Large	160	14	16	32	40	20	3		435
77120.W0030	W/o Keyway, W/o Handle	$d_2$ Small	200	18	22	38	45	24	3		783
77120.W0031	W/o Keyway, W/o Handle	$d_2$ Large	200	18	22	38	45	24	3		783
77120.W0040	W/o Keyway, W/o Handle	$d_2$ Small	250	22	26	45	50	28	5		1509
77120.W0041	W/o Keyway, W/o Handle	$d_2$ Large	250	22	26	45	50	28	5		1509
77120.W0045	W/o Keyway, W/o Handle	$d_2$ Small	315	26	30	53	56	33	5		2440
77120.W0046	W/o Keyway, W/o Handle	$d_2$ Large	315	26	30	53	56	33	5		2440
77120.W0050	W/o Keyway, W/o Handle	$d_2$ Small	400	30	34	65	63	38	5		3740
77120.W0051	W/o Keyway, W/o Handle	$d_2$ Large	400	30	34	65	63	38	5		3740
77120.W0100	With Keyway, W/o Handle	$d_2$ Small	80	10	12	24	29	16	3		99
77120.W0101	With Keyway, W/o Handle	$d_2$ Large	80	10	12	24	29	16	3		99
77120.W0105	With Keyway, W/o Handle	$d_2$ Small	100	10	12	26	33	17	3		171
77120.W0106	With Keyway, W/o Handle	$d_2$ Large	100	10	12	26	33	17	3		171
77120.W0110	With Keyway, W/o Handle	$d_2$ Small	125	12	14	28	36	18	3		232
77120.W0111	With Keyway, W/o Handle	$d_2$ Large	125	12	14	28	36	18	3		232
77120.W0115	With Keyway, W/o Handle	$d_2$ Small	140	14	16	30	39	19	3		309
77120.W0116	With Keyway, W/o Handle	$d_2$ Large	140	14	16	30	39	19	3		309
77120.W0120	With Keyway, W/o Handle	$d_2$ Small	160	14	16	32	40	20	3		422
77120.W0121	With Keyway, W/o Handle	$d_2$ Large	160	14	16	32	40	20	3		422
77120.W0130	With Keyway, W/o Handle	$d_2$ Small	200	18	22	38	45	24	3		779
77120.W0131	With Keyway, W/o Handle	$d_2$ Large	200	18	22	38	45	24	3		779
77120.W0140	With Keyway, W/o Handle	$d_2$ Small	250	22	26	45	50	28	5		1511
77120.W0141	With Keyway, W/o Handle	$d_2$ Large	250	22	26	45	50	28	5		1511
77120.W0145	With Keyway, W/o Handle	$d_2$ Small	315	26	30	53	56	33	5		2500
77120.W0146	With Keyway, W/o Handle	$d_2$ Large	315	26	30	53	56	33	5		2500





# Aluminium Handwheels



## Handwheels

Order No.	Type	Bore dia.	d <sub>1</sub>	d <sub>2</sub> tol. H7 Small	d <sub>2</sub> tol. H7 Large	d <sub>3</sub>	l <sub>1</sub> ≈	l <sub>2</sub>	No. of spokes	Corresp. handle dia.	Weight g
77120.W0150	With Keyway, W/o Handle	d <sub>2</sub> Small	400	30	34	65	63	38	5		3600
77120.W0151	With Keyway, W/o Handle	d <sub>2</sub> Large	400	30	34	65	63	38	5		3600
77120.W0200	W/o Keyway, Rotating Handle	d <sub>2</sub> Small	80	10	12	24	29	16	3	16	150
77120.W0201	W/o Keyway, Rotating Handle	d <sub>2</sub> Large	80	10	12	24	29	16	3	16	150
77120.W0205	W/o Keyway, Rotating Handle	d <sub>2</sub> Small	100	10	12	26	33	17	3	16	210
77120.W0206	W/o Keyway, Rotating Handle	d <sub>2</sub> Large	100	10	12	26	33	17	3	16	210
77120.W0210	W/o Keyway, Rotating Handle	d <sub>2</sub> Small	125	12	14	28	36	18	3	20	340
77120.W0211	W/o Keyway, Rotating Handle	d <sub>2</sub> Large	125	12	14	28	36	18	3	20	340
77120.W0215	W/o Keyway, Rotating Handle	d <sub>2</sub> Small	140	14	16	30	39	19	3	20	430
77120.W0216	W/o Keyway, Rotating Handle	d <sub>2</sub> Large	140	14	16	30	39	19	3	20	430
77120.W0220	W/o Keyway, Rotating Handle	d <sub>2</sub> Small	160	14	16	32	40	20	3	25	615
77120.W0221	W/o Keyway, Rotating Handle	d <sub>2</sub> Large	160	14	16	32	40	20	3	25	615
77120.W0230	W/o Keyway, Rotating Handle	d <sub>2</sub> Small	200	18	22	38	45	24	3	25	970
77120.W0231	W/o Keyway, Rotating Handle	d <sub>2</sub> Large	200	18	22	38	45	24	3	25	970
77120.W0240	W/o Keyway, Rotating Handle	d <sub>2</sub> Small	250	22	26	45	50	28	5	32	1885
77120.W0241	W/o Keyway, Rotating Handle	d <sub>2</sub> Large	250	22	26	45	50	28	5	32	1885
77120.W0245	W/o Keyway, Rotating Handle	d <sub>2</sub> Small	315	26	30	53	56	33	5	32	2885
77120.W0246	W/o Keyway, Rotating Handle	d <sub>2</sub> Large	315	26	30	53	56	33	5	32	2885
77120.W0250	W/o Keyway, Rotating Handle	d <sub>2</sub> Small	400	30	34	65	63	38	5	36	4250
77120.W0251	W/o Keyway, Rotating Handle	d <sub>2</sub> Large	400	30	34	65	63	38	5	36	4250
77120.W0300	With Keyway, Rotating Handle	d <sub>2</sub> Small	80	10	12	24	29	16	3	16	150
77120.W0301	With Keyway, Rotating Handle	d <sub>2</sub> Large	80	10	12	24	29	16	3	16	150
77120.W0305	With Keyway, Rotating Handle	d <sub>2</sub> Small	100	10	12	26	33	17	3	16	210
77120.W0306	With Keyway, Rotating Handle	d <sub>2</sub> Large	100	10	12	26	33	17	3	16	210
77120.W0310	With Keyway, Rotating Handle	d <sub>2</sub> Small	125	12	14	28	36	18	3	20	340
77120.W0311	With Keyway, Rotating Handle	d <sub>2</sub> Large	125	12	14	28	36	18	3	20	340
77120.W0315	With Keyway, Rotating Handle	d <sub>2</sub> Small	140	14	16	30	39	19	3	20	430
77120.W0316	With Keyway, Rotating Handle	d <sub>2</sub> Large	140	14	16	30	39	19	3	20	430
77120.W0320	With Keyway, Rotating Handle	d <sub>2</sub> Small	160	14	16	32	40	20	3	25	615
77120.W0321	With Keyway, Rotating Handle	d <sub>2</sub> Large	160	14	16	32	40	20	3	25	615
77120.W0330	With Keyway, Rotating Handle	d <sub>2</sub> Small	200	18	22	38	45	24	3	25	970
77120.W0331	With Keyway, Rotating Handle	d <sub>2</sub> Large	200	18	22	38	45	24	3	25	970
77120.W0340	With Keyway, Rotating Handle	d <sub>2</sub> Small	250	22	26	45	50	28	5	32	1885
77120.W0341	With Keyway, Rotating Handle	d <sub>2</sub> Large	250	22	26	45	50	28	5	32	1885
77120.W0345	With Keyway, Rotating Handle	d <sub>2</sub> Small	315	26	30	53	56	33	5	32	2885
77120.W0346	With Keyway, Rotating Handle	d <sub>2</sub> Large	315	26	30	53	56	33	5	32	2885
77120.W0350	With Keyway, Rotating Handle	d <sub>2</sub> Small	400	30	34	65	63	38	5	36	4250
77120.W0351	With Keyway, Rotating Handle	d <sub>2</sub> Large	400	30	34	65	63	38	5	36	4250
77120.W0400	W/o Keyway, Fixed Handle	d <sub>2</sub> Small	80	10	12	24	29	16	3	16	150
77120.W0401	W/o Keyway, Fixed Handle	d <sub>2</sub> Large	80	10	12	24	29	16	3	16	150
77120.W0405	W/o Keyway, Fixed Handle	d <sub>2</sub> Small	100	10	12	26	33	17	3	16	210
77120.W0406	W/o Keyway, Fixed Handle	d <sub>2</sub> Large	100	10	12	26	33	17	3	16	210
77120.W0410	W/o Keyway, Fixed Handle	d <sub>2</sub> Small	125	12	14	28	36	18	3	20	340
77120.W0411	W/o Keyway, Fixed Handle	d <sub>2</sub> Large	125	12	14	28	36	18	3	20	340
77120.W0415	W/o Keyway, Fixed Handle	d <sub>2</sub> Small	140	14	16	30	39	19	3	20	420
77120.W0416	W/o Keyway, Fixed Handle	d <sub>2</sub> Large	140	14	16	30	39	19	3	20	420
77120.W0420	W/o Keyway, Fixed Handle	d <sub>2</sub> Small	160	14	16	32	40	20	3	25	615
77120.W0421	W/o Keyway, Fixed Handle	d <sub>2</sub> Large	160	14	16	32	40	20	3	25	615
77120.W0430	W/o Keyway, Fixed Handle	d <sub>2</sub> Small	200	18	22	38	45	24	3	25	970
77120.W0431	W/o Keyway, Fixed Handle	d <sub>2</sub> Large	200	18	22	38	45	24	3	25	970
77120.W0440	W/o Keyway, Fixed Handle	d <sub>2</sub> Small	250	22	26	45	50	28	5	32	1860
77120.W0441	W/o Keyway, Fixed Handle	d <sub>2</sub> Large	250	22	26	45	50	28	5	32	1860
77120.W0445	W/o Keyway, Fixed Handle	d <sub>2</sub> Small	315	26	30	53	56	33	5	32	2860
77120.W0446	W/o Keyway, Fixed Handle	d <sub>2</sub> Large	315	26	30	53	56	33	5	32	2860
77120.W0450	W/o Keyway, Fixed Handle	d <sub>2</sub> Small	400	30	34	65	63	38	5	36	4210
77120.W0451	W/o Keyway, Fixed Handle	d <sub>2</sub> Large	400	30	34	65	63	38	5	36	4210
77120.W0500	With Keyway, Fixed Handle	d <sub>2</sub> Small	80	10	12	24	29	16	3	16	150
77120.W0501	With Keyway, Fixed Handle	d <sub>2</sub> Large	80	10	12	24	29	16	3	16	150
77120.W0505	With Keyway, Fixed Handle	d <sub>2</sub> Small	100	10	12	26	33	17	3	16	210
77120.W0506	With Keyway, Fixed Handle	d <sub>2</sub> Large	100	10	12	26	33	17	3	16	210
77120.W0510	With Keyway, Fixed Handle	d <sub>2</sub> Small	125	12	14	28	36	18	3	20	330
77120.W0511	With Keyway, Fixed Handle	d <sub>2</sub> Large	125	12	14	28	36	18	3	20	330
77120.W0515	With Keyway, Fixed Handle	d <sub>2</sub> Small	140	14	16	30	39	19	3	20	420
77120.W0516	With Keyway, Fixed Handle	d <sub>2</sub> Large	140	14	16	30	39	19	3	20	420
77120.W0520	With Keyway, Fixed Handle	d <sub>2</sub> Small	160	14	16	32	40	20	3	25	610
77120.W0521	With Keyway, Fixed Handle	d <sub>2</sub> Large	160	14	16	32	40	20	3	25	610
77120.W0530	With Keyway, Fixed Handle	d <sub>2</sub> Small	200	18	22	38	45	24	3	25	960

HANDWHEELS

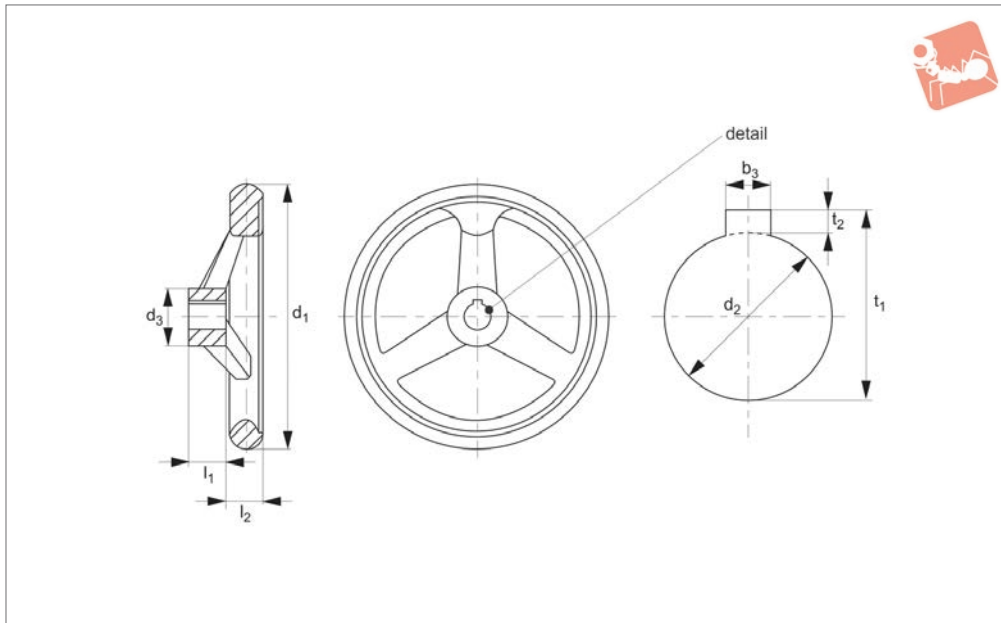


Order No.	Type	Bore dia.	d <sub>1</sub>	d <sub>2</sub> tol. H7 Small	d <sub>2</sub> tol. H7 Large	d <sub>3</sub>	l <sub>1</sub> ≈	l <sub>2</sub>	No. of spokes	Corresp. handle dia.	Weight g
<b>77120.W0531</b>	With Keyway, Fixed Handle	d <sub>2</sub> Large	200	18	22	38	45	24	3	25	960
<b>77120.W0540</b>	With Keyway, Fixed Handle	d <sub>2</sub> Small	250	22	26	45	50	28	5	32	1860
<b>77120.W0541</b>	With Keyway, Fixed Handle	d <sub>2</sub> Large	250	22	26	45	50	28	5	32	1860
<b>77120.W0545</b>	With Keyway, Fixed Handle	d <sub>2</sub> Small	315	26	30	53	56	33	5	32	2860
<b>77120.W0546</b>	With Keyway, Fixed Handle	d <sub>2</sub> Large	315	26	30	53	56	33	5	32	2860
<b>77120.W0550</b>	With Keyway, Fixed Handle	d <sub>2</sub> Small	400	30	34	65	65	38	5	36	4210
<b>77120.W0551</b>	With Keyway, Fixed Handle	d <sub>2</sub> Large	400	30	34	65	65	38	5	36	4210



# Stainless Steel Handwheels

DIN 950



**77140**

HANDWHEELS

### Material

Stainless steel, deburred.  
Hub machined; rim turned and mirror-finished on all sides, non-machined

surfaces cleanly blasted.

to DIN 6885.

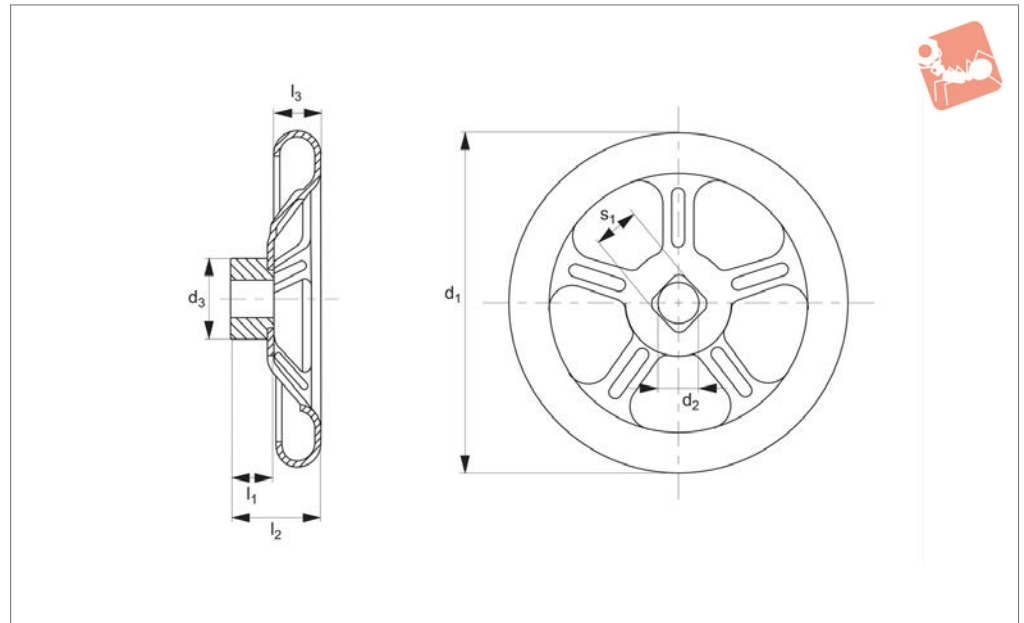
### Technical Notes

For keyways information (dim.  $t_1$  and  $b_3$ )

Order No.	Finish	$d_1$	$d_2$ tol. h9	$d_3$	$l_1$	$l_2$	No. of spokes	Machine handles dia.	Weight g
77140.W0005	W/o Keyway, W/o Handle	100	10	25.5	17	14.5	3	-	431
77140.W0010	W/o Keyway, W/o Handle	125	12	27.0	18	15.8	3	-	655
77140.W0015	W/o Keyway, W/o Handle	140	14	29.0	19	17.0	3	-	851
77140.W0020	W/o Keyway, W/o Handle	160	14	27.0	18	17.5	3	-	1112
77140.W0030	W/o Keyway, W/o Handle	200	18	37.0	24	20.0	3	-	1877
77140.W0105	With Keyway, W/o Handle	100	10	25.5	17	14.5	3	-	434
77140.W0110	With Keyway, W/o Handle	125	12	27.0	18	15.8	3	-	854
77140.W0115	With Keyway, W/o Handle	140	14	29.0	19	17.0	3	-	854
77140.W0120	With Keyway, W/o Handle	160	14	31.0	20	17.5	3	-	1115
77140.W0130	With Keyway, W/o Handle	200	18	37.0	24	20.0	3	-	1882
77140.W0405	W/o Keyway, With Handle	100	10	25.5	17	14.5	3	16	472
77140.W0410	W/o Keyway, With Handle	125	12	27.0	18	15.8	3	20	748
77140.W0415	W/o Keyway, With Handle	140	14	29.0	19	17.0	3	20	939
77140.W0420	W/o Keyway, With Handle	160	14	31.0	20	17.5	3	25	1273
77140.W0430	W/o Keyway, With Handle	200	18	37.0	24	20.0	3	25	2044
77140.W0505	With Keyway, With Handle	100	10	25.5	17	14.5	3	16	473
77140.W0510	With Keyway, With Handle	125	12	27.0	18	15.8	3	20	753
77140.W0515	With Keyway, With Handle	140	14	29.0	19	17.0	3	20	939
77140.W0520	With Keyway, With Handle	160	14	31.0	20	17.5	3	25	1282
77140.W0530	With Keyway, With Handle	200	18	37.0	24	20.0	3	25	2049



**77420**



### Material

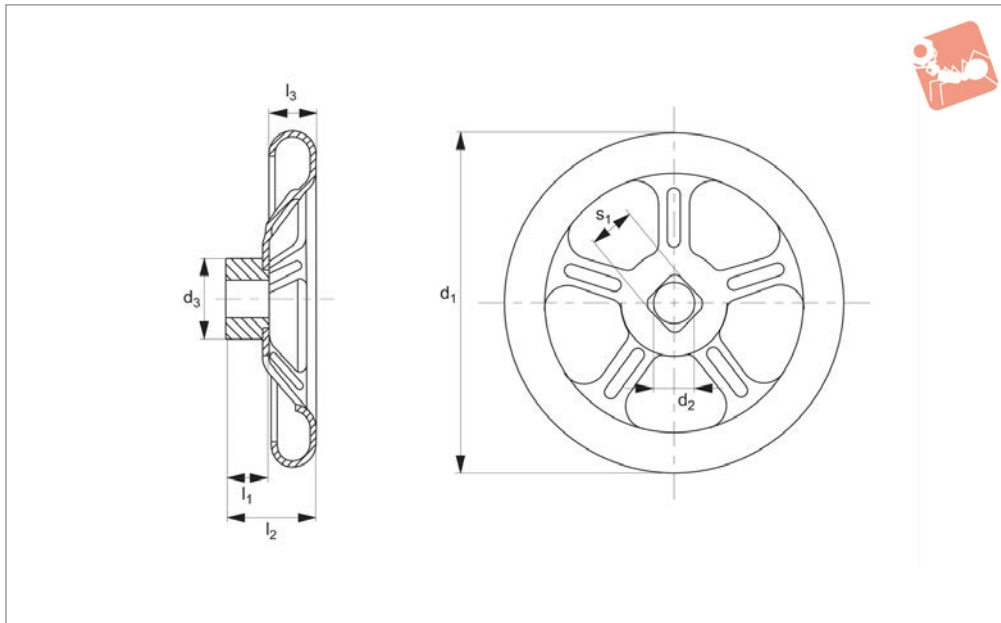
Pressed steel, plastic coated.  
Black - RAL9005.

### Technical Notes

This plastic coated handwheel is resistant to shock and impacts, is well designed and

cost effective.

Order No.	Bore dia.	d <sub>1</sub>	d <sub>2</sub> round tol. H9	d <sub>3</sub>	l <sub>1</sub>	l <sub>2</sub> ≈	l <sub>3</sub>	No. of spokes	s <sub>1</sub> square tol. H11	Weight g
77420.W0010	Round	125	B11	30	18	29	18	3	V11	300
77420.W0012	Round	160	B12	30	20	37	22	4	V12	400
77420.W0014	Round	200	B14	40	24	46	22	4	V14	800
77420.W0017	Round	250	B17	45	28	52	30	5	V17	1400
77420.W0019	Round	315	B19	55	33	64	35	5	V19	2300
77420.W0021	Round	400	B24	65	38	82	40	5	V24	9140
77420.W0110	Square	125	B11	30	18	29	18	3	V11	300
77420.W0112	Square	160	B12	30	20	37	22	4	V12	400
77420.W0114	Square	200	B14	40	24	46	22	4	V14	800
77420.W0117	Square	250	B17	45	28	52	30	5	V17	1400
77420.W0119	Square	315	B19	55	33	64	35	5	V19	2300
77420.W0121	Square	400	B24	65	38	82	40	5	V24	9140



**77430**

HANDWHEELS

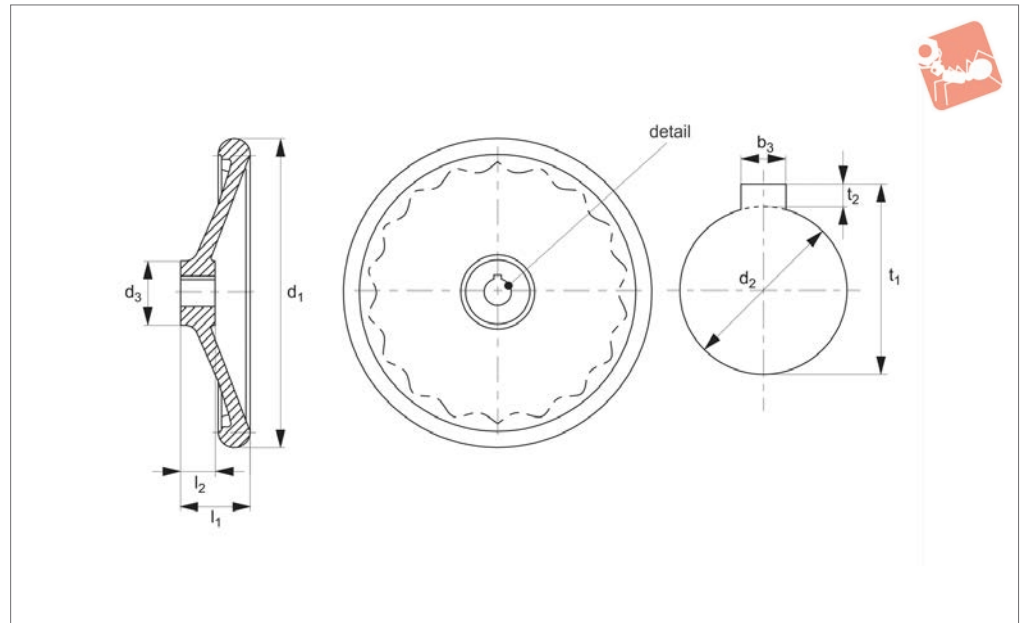
**Material**

Stainless steel 1.4301 (AISI 303), pressed.  
Hub welded. Matte shot-blasted.

Order No.	Bore dia.	d <sub>1</sub>	d <sub>2</sub> round tol. H9	d <sub>3</sub>	l <sub>1</sub>	l <sub>2</sub> ≈	l <sub>3</sub>	No. of spokes	s <sub>1</sub> square tol. H11	Weight g
<b>77430.W0012</b>	Round	160	B12	30	20	39	22	4	V12	430
<b>77430.W0014</b>	Round	200	B14	40	24	44	22	4	V14	824
<b>77430.W0017</b>	Round	250	B17	45	28	52	30	5	V17	1477
<b>77430.W0112</b>	Square	160	B12	30	20	39	22	4	V12	430
<b>77430.W0114</b>	Square	200	B14	40	24	44	22	4	V14	824
<b>77430.W0117</b>	Square	250	B17	45	28	52	30	5	V17	1477



**77200**



**Material**

Hub machined; rim turned and mirror-finished on all sides, non-machined surfaces cleanly blasted.

Aluminium permanent-mould casting.

**Technical Notes**

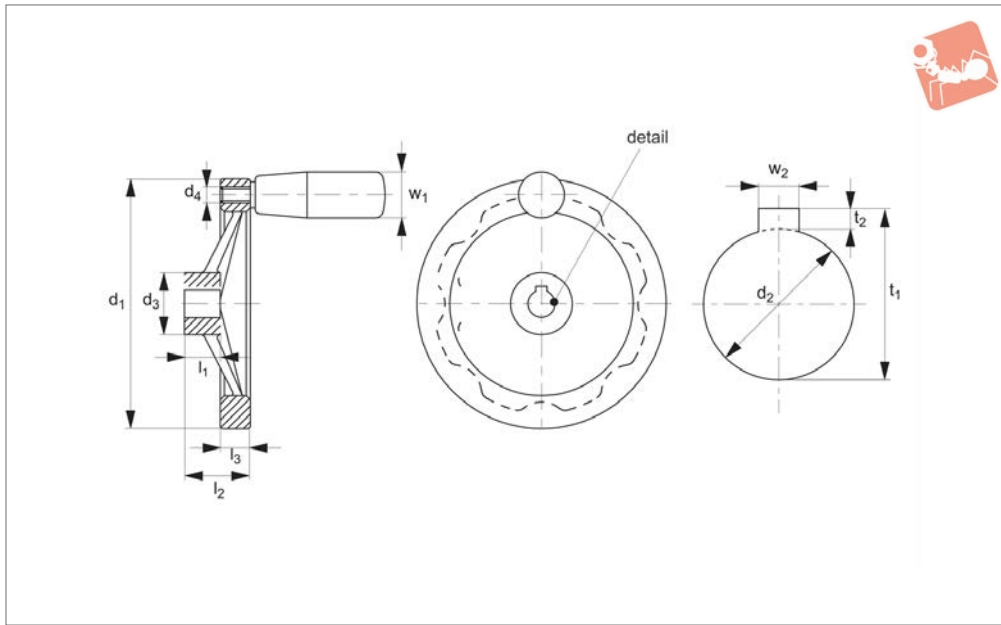
There are gripping indentations on the rear

sides.

**For keyways information (dim.  $t_1$  and  $b_3$ ) to DIN 6885.**

Order No.	Type	$d_1$	$d_2$ tol. H7	$d_3$	$l_1$ ≈	$l_2$	$b_3$	$t$	Weight g
77200.W0103	Without Keyway	80	10	26	29	16	-	-	119
77200.W0104	Without Keyway	80	12	26	29	16	-	-	116
77200.W0105	Without Keyway	100	10	28	33	17	-	-	194
77200.W0106	Without Keyway	100	12	28	33	17	-	-	194
77200.W0110	Without Keyway	125	12	31	36	18	-	-	288
77200.W0111	Without Keyway	125	14	31	36	18	-	-	288
77200.W0120	Without Keyway	160	14	36	40	20	-	-	477
77200.W0121	Without Keyway	160	16	36	40	20	-	-	477
77200.W0130	Without Keyway	200	18	42	45	24	-	-	955
77200.W0131	Without Keyway	200	22	42	45	24	-	-	955
77200.W0140	Without Keyway	250	22	48	50	28	-	-	1685
77200.W0141	Without Keyway	250	26	48	50	28	-	-	1685
77200.W0150	Without Keyway	315	26	56	56	33	-	-	2710
77200.W0151	Without Keyway	315	28	56	56	33	-	-	2700
77200.W0160	Without Keyway	400	30	65	63	38	-	-	4720
77200.W0161	Without Keyway	400	32	65	63	38	-	-	4660
77200.W0303	With Keyway	80	10	26	29	16	3	11.4	120
77200.W0304	With Keyway	80	12	26	29	16	4	13.8	129
77200.W0305	With Keyway	100	10	28	33	17	3	11.4	190
77200.W0306	With Keyway	100	12	28	33	17	4	13.8	190
77200.W0310	With Keyway	125	12	31	36	18	4	13.8	250
77200.W0311	With Keyway	125	14	31	36	18	5	16.3	250
77200.W0320	With Keyway	160	14	36	40	20	5	16.3	491
77200.W0321	With Keyway	160	16	36	40	20	5	18.3	491
77200.W0330	With Keyway	200	18	42	45	24	6	20.8	933
77200.W0331	With Keyway	200	22	42	45	24	6	24.8	933
77200.W0340	With Keyway	250	22	48	50	28	6	24.8	1662
77200.W0341	With Keyway	250	26	48	50	28	8	29.3	1662
77200.W0350	With Keyway	315	26	56	56	33	8	29.3	2700
77200.W0351	With Keyway	315	28	56	56	33	8	31.3	2670
77200.W0360	With Keyway	400	30	65	63	38	8	33.3	4760
77200.W0361	With Keyway	400	32	65	63	38	10	35.3	4720





## 77400

HANDWHEELS

### Material

Aluminium mould casting. Handle duroplast DF 31 black.  
Hub machined; rim turned and mirror-finished on all sides, non-machined surfaces cleanly blasted.  
For corresponding handle details see no. 75120 rotating handle.

### Technical Notes

There are gripping indentations on the rear sides.  
The non-machined, raw surfaces are blasted; together with the mirror-polished rim these handwheels are therefore showing a finish which in most cases does not require additional lacquering.

Temperature range up to 110°C. Also available in black plastic coated - on request.

**For keyways information (dim.  $t_1$  and  $b_3$ ) to DIN 6885.**

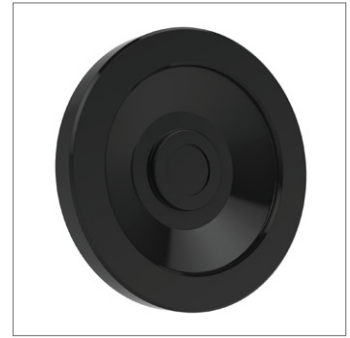
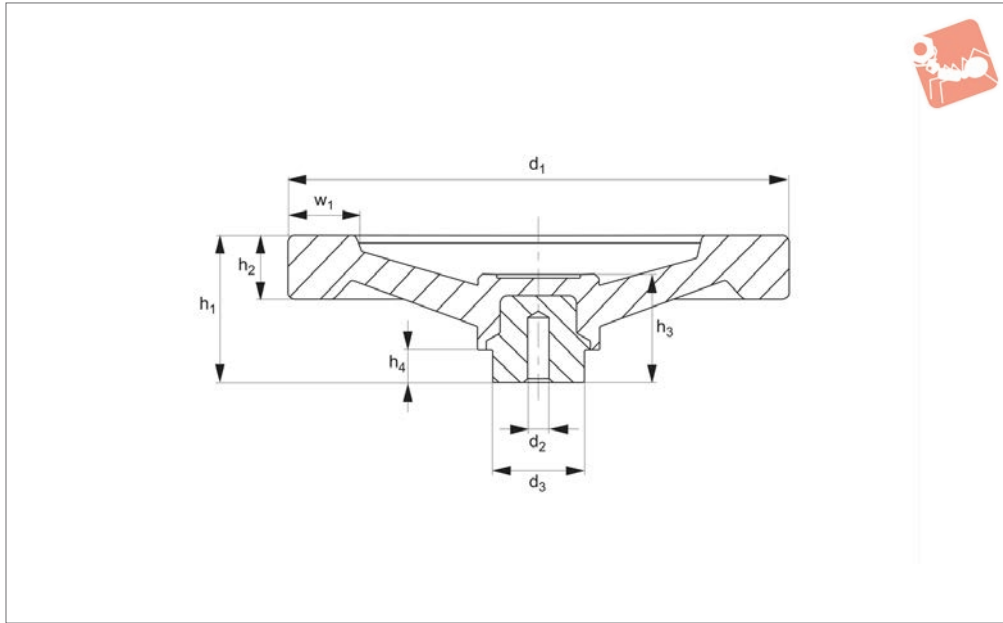
Order No.	Finish	Bore dia.	$d_1$	$d_2$ tol. H7 Small	$d_2$ tol. H7 Large	$d_3$	$d_4$	$l_1$	$l_2$ ≈	$l_3$	$w_1$	Weight g
77400.W0008	W/o Keyway, W/o Handle	d2 Small	80	10	12	26	-	16	26	13.0	-	130
77400.W0009	W/o Keyway, W/o Handle	d2 Large	80	10	12	26	-	16	26	13.0	-	130
77400.W0010	W/o Keyway, W/o Handle	d2 Small	100	10	12	28	-	17	30	14.0	-	203
77400.W0011	W/o Keyway, W/o Handle	d2 Large	100	10	12	28	-	17	30	14.0	-	203
77400.W0012	W/o Keyway, W/o Handle	d2 Small	125	12	14	31	-	18	33	15.0	-	307
77400.W0013	W/o Keyway, W/o Handle	d2 Large	125	12	14	31	-	18	33	15.0	-	307
77400.W0014	W/o Keyway, W/o Handle	d2 Small	140	14	16	36	-	19	36	16.5	-	430
77400.W0015	W/o Keyway, W/o Handle	d2 Large	140	14	16	36	-	19	36	16.5	-	430
77400.W0016	W/o Keyway, W/o Handle	d2 Small	160	14	16	36	-	20	39	18.0	-	540
77400.W0017	W/o Keyway, W/o Handle	d2 Large	160	14	16	36	-	20	39	18.0	-	540
77400.W0020	W/o Keyway, W/o Handle	d2 Small	200	18	20	42	-	24	45	20.5	-	849
77400.W0021	W/o Keyway, W/o Handle	d2 Large	200	18	20	42	-	24	45	20.5	-	849
77400.W0025	W/o Keyway, W/o Handle	d2 Small	250	22	26	48	-	28	51	23.5	-	1495
77400.W0026	W/o Keyway, W/o Handle	d2 Large	250	22	26	48	-	28	51	23.5	-	1495
77400.W0108	With Keyway, W/o Handle	d2 Small	80	10	12	26	-	16	26	13.0	-	139
77400.W0109	With Keyway, W/o Handle	d2 Large	80	10	12	26	-	16	26	13.0	-	139
77400.W0110	With Keyway, W/o Handle	d2 Small	100	10	12	28	-	17	30	14.0	-	190
77400.W0111	With Keyway, W/o Handle	d2 Large	100	10	12	28	-	17	30	14.0	-	190
77400.W0112	With Keyway, W/o Handle	d2 Small	125	12	14	31	-	18	33	15.0	-	291
77400.W0113	With Keyway, W/o Handle	d2 Large	125	12	14	31	-	18	33	15.0	-	291
77400.W0114	With Keyway, W/o Handle	d2 Small	140	14	16	36	-	19	36	16.5	-	413
77400.W0115	With Keyway, W/o Handle	d2 Large	140	14	16	36	-	19	36	16.5	-	413
77400.W0116	With Keyway, W/o Handle	d2 Small	160	14	16	36	-	20	39	18.0	-	529
77400.W0117	With Keyway, W/o Handle	d2 Large	160	14	16	36	-	20	39	18.0	-	529
77400.W0120	With Keyway, W/o Handle	d2 Small	200	18	20	42	-	24	45	20.5	-	880
77400.W0121	With Keyway, W/o Handle	d2 Large	200	18	20	42	-	24	45	20.5	-	880
77400.W0125	With Keyway, W/o Handle	d2 Small	250	22	26	48	-	28	51	23.0	-	1515
77400.W0126	With Keyway, W/o Handle	d2 Large	250	22	26	48	-	28	51	23.0	-	1515
77400.W0508	W/o Keyway, With Handle	d2 Small	80	10	12	26	M 6	16	26	13.0	18	160



HANDWHEELS

Order No.	Finish	Bore dia.	d <sub>1</sub>	d <sub>2</sub>		d <sub>3</sub>	d <sub>4</sub>	l <sub>1</sub>	l <sub>2</sub>	l <sub>3</sub>	w <sub>1</sub>	Weight g
				tol. H7	Small							
77400.W0509	W/o Keyway, With Handle	d2 Large	80	10	12	26	M 6	16	26	13.0	18	160
77400.W0510	W/o Keyway, With Handle	d2 Small	100	10	12	28	M 6	17	30	14.0	21	255
77400.W0511	W/o Keyway, With Handle	d2 Large	100	10	12	28	M 6	17	30	14.0	21	255
77400.W0512	W/o Keyway, With Handle	d2 Small	125	12	14	31	M 8	18	33	15.0	23	390
77400.W0513	W/o Keyway, With Handle	d2 Large	125	12	14	31	M 8	18	33	15.0	23	390
77400.W0514	W/o Keyway, With Handle	d2 Small	140	14	16	36	M 8	19	36	16.5	23	510
77400.W0515	W/o Keyway, With Handle	d2 Large	140	14	16	36	M 8	19	36	16.5	23	510
77400.W0516	W/o Keyway, With Handle	d2 Small	160	14	16	36	M10	20	39	18.0	26	675
77400.W0517	W/o Keyway, With Handle	d2 Large	160	14	16	36	M10	20	39	18.0	26	675
77400.W0520	W/o Keyway, With Handle	d2 Small	200	18	20	42	M10	24	45	20.5	26	995
77400.W0521	W/o Keyway, With Handle	d2 Large	200	18	20	42	M10	24	45	20.5	26	995
77400.W0525	W/o Keyway, With Handle	d2 Small	250	22	26	48	M10	28	51	23.0	28	1625
77400.W0526	W/o Keyway, With Handle	d2 Large	250	22	26	48	M10	28	51	23.0	28	1625
77400.W0608	With Keyway, With Handle	d2 Small	80	10	12	26	M 6	16	26	13.0	18	160
77400.W0609	With Keyway, With Handle	d2 Large	80	10	12	26	M 6	16	26	13.0	18	160
77400.W0610	With Keyway, With Handle	d2 Small	100	10	12	28	M 6	17	30	14.0	21	255
77400.W0611	With Keyway, With Handle	d2 Large	100	10	12	28	M 6	17	30	14.0	21	255
77400.W0612	With Keyway, With Handle	d2 Small	125	12	14	31	M 8	18	33	15.0	23	390
77400.W0613	With Keyway, With Handle	d2 Large	125	12	14	31	M 8	18	33	15.0	23	390
77400.W0614	With Keyway, With Handle	d2 Small	140	14	16	36	M 8	19	36	16.5	23	510
77400.W0615	With Keyway, With Handle	d2 Large	140	14	16	36	M 8	19	36	16.5	23	510
77400.W0616	With Keyway, With Handle	d2 Small	160	14	16	36	M10	20	39	18.0	26	675
77400.W0617	With Keyway, With Handle	d2 Large	160	14	16	36	M10	20	39	18.0	26	675
77400.W0620	With Keyway, With Handle	d2 Small	200	18	20	42	M10	24	45	20.5	26	995
77400.W0621	With Keyway, With Handle	d2 Large	200	18	20	42	M10	24	45	20.5	26	995
77400.W0625	With Keyway, With Handle	d2 Small	250	22	26	48	M10	28	51	23.0	28	1625
77400.W0626	With Keyway, With Handle	d2 Large	250	22	26	48	M10	28	51	23.0	28	1625





**77600**

HANDWHEELS

**Material**

Black, duroplast, with zinc plated steel hub.

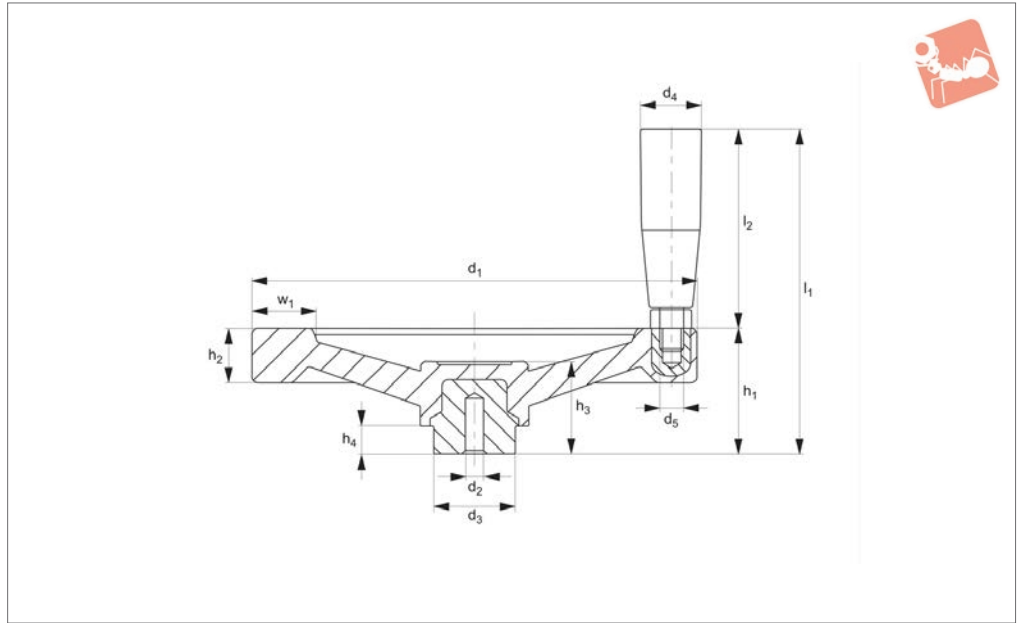
**Technical Notes**

The pilot hole allows various sizes of holes, keyways etc. to be machined into the hub.

Order No.	d <sub>1</sub>	d <sub>2</sub>	d <sub>3</sub>	h <sub>1</sub>	h <sub>2</sub>	h <sub>3</sub>	h <sub>4</sub>	w <sub>1</sub>	Weight g
77600.W0100	100	4	24	35	14	30	11	16	200
77600.W0125	125	6	32	44	16	36	13	18	338
77600.W0150	150	6	32	48	18	38	13	20	458
77600.W0200	200	6	40	58	21	45	16	24	853
77600.W0250	250	8	48	66	22	50	17	30	1464
77600.W0300	300	8	58	76	24	57	18	35	2473



**77620**



HANDWHEELS

**Material**

Black, duroplast plastic with zinc plated steel hub.

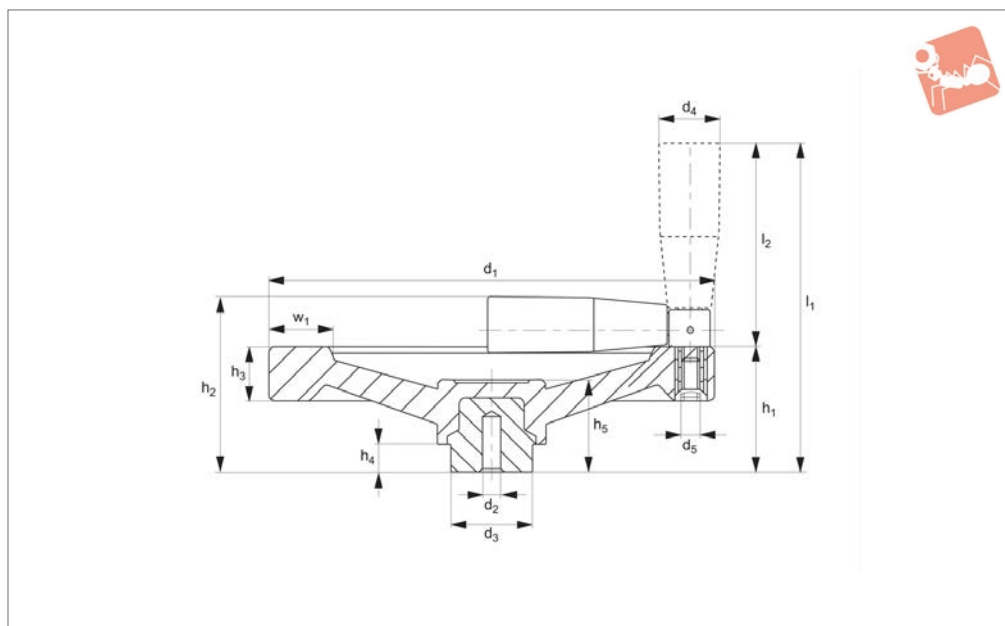
**Technical Notes**

The pilot hole allows various sizes of holes, keyways etc. to be machined into the hub.

Order No.	d <sub>1</sub>	d <sub>2</sub>	d <sub>3</sub>	d <sub>4</sub>	d <sub>5</sub>	h <sub>1</sub>	h <sub>2</sub>	h <sub>3</sub>	h <sub>4</sub>	l <sub>1</sub>	l <sub>2</sub>	w <sub>1</sub>	Weight g
<b>77620.W0100</b>	100	4	24	21	M 8	35	14	30	21	85	50	16	231
<b>77620.W0125</b>	125	6	32	23	M 8	45	16	36	13	99	55	18	391
<b>77620.W0150</b>	150	6	32	25	M10	48	18	38	13	113	65	20	541
<b>77620.W0200</b>	200	6	40	28	M10	58	21	45	16	143	85	24	969
<b>77620.W0250</b>	250	8	48	28	M10	66	22	50	17	151	85	30	1589
<b>77620.W0300</b>	300	8	58	28	M10	76	24	57	18	161	85	35	2700



# Solid Disc Handwheels with fold-away rotating grip



**77640**

HANDWHEELS

### Material

Duroplast, black. Zinc plated steel hub.

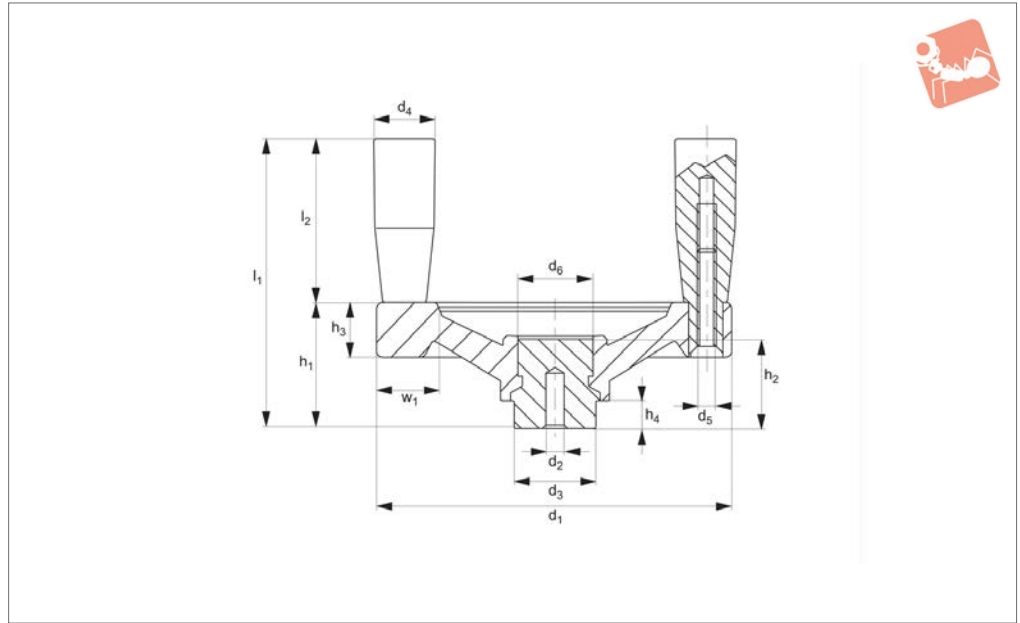
### Technical Notes

The pilot hole allows various sizes of holes, keyways etc. to be machined into the hub.

Order No.	d <sub>1</sub>	d <sub>2</sub>	d <sub>3</sub>	d <sub>4</sub>	d <sub>5</sub>	h <sub>1</sub>	h <sub>2</sub>	h <sub>3</sub>	h <sub>4</sub>	h <sub>5</sub>	l <sub>1</sub>	l <sub>2</sub>	w <sub>1</sub>	Weight g
<b>77640.W0100</b>	100	4	24	21	M 5	35	54	14	11	30	102	50	16	251
<b>77640.W0125</b>	125	6	32	23	M 5	44	64	16	13	36	116	55	18	419
<b>77640.W0150</b>	150	6	32	25	M 6	48	69	18	13	38	130	65	20	539
<b>77640.W0200</b>	200	6	40	28	M 6	58	82	21	16	45	163	85	24	992
<b>77640.W0250</b>	250	8	48	28	M 6	66	90	22	17	50	171	85	30	1612
<b>77640.W0300</b>	300	8	58	28	M 6	76	100	24	18	57	181	85	35	2723



**77680**



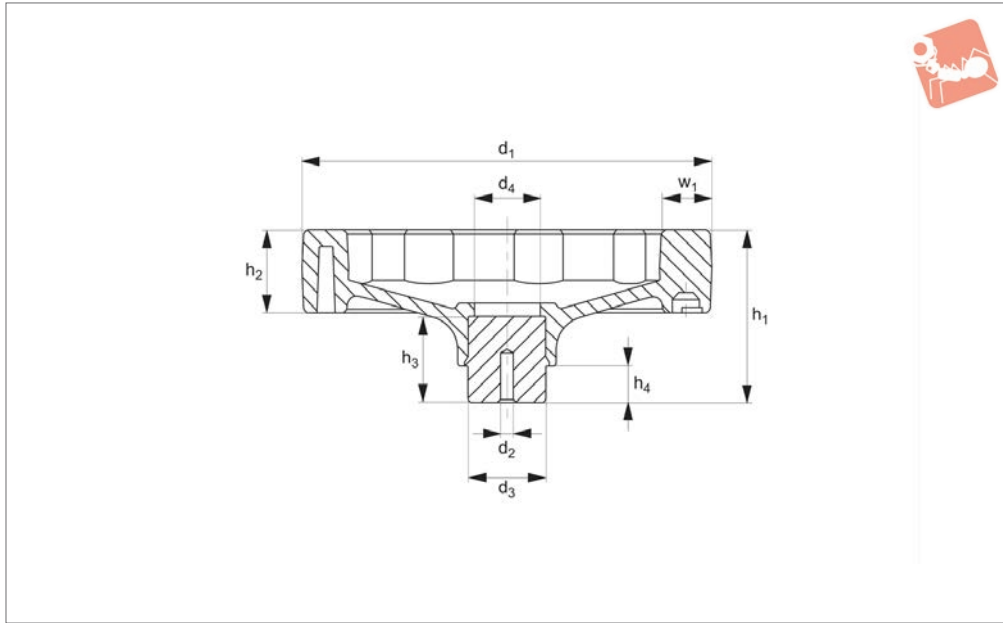
**Material**

Duroplast, black. Zinc plated steel hub.

**Technical Notes**

The pilot hole allows various sizes of holes, keyways etc. to be machined into the hub.

Order No.	d <sub>1</sub>	d <sub>2</sub>	d <sub>3</sub>	d <sub>4</sub>	d <sub>5</sub>	d <sub>6</sub>	h <sub>1</sub>	h <sub>2</sub>	h <sub>3</sub>	h <sub>4</sub>	l <sub>1</sub>	l <sub>2</sub>	w <sub>1</sub>	Weight g
77680.W0065	65	4	20	10	M 5	15	28	24	13	13	55	27	13	111
77680.W0080	80	4	20	10	M 6	16	31	27	14	17	71	40	15	155
77680.W0100	100	4	24	11	M 6	20	35	29	14	21	85	50	16	265



**77720**

HANDWHEELS

**Material**

Thermoplastic, black, matt. Zinc plated steel hub.

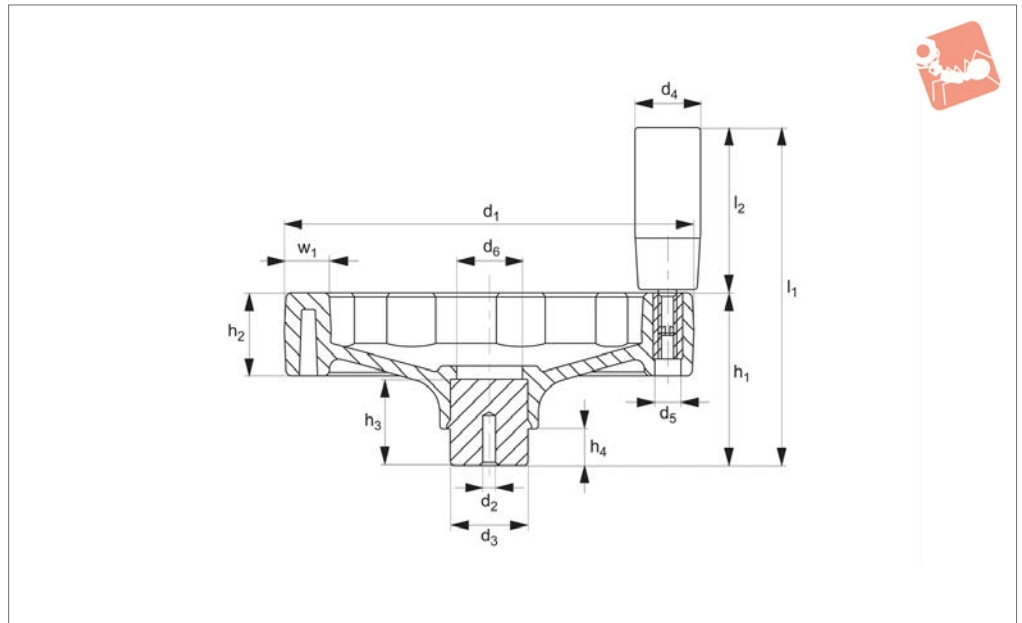
**Technical Notes**

The pilot hole allows various sizes of holes, keyways etc. to be machined into the hub.

Order No.	d <sub>1</sub>	d <sub>2</sub>	d <sub>3</sub>	d <sub>4</sub>	h <sub>1</sub>	h <sub>2</sub>	h <sub>3</sub>	h <sub>4</sub>	w <sub>1</sub>	Weight g
<b>77720.W0100</b>	100	4	24	18	46	20	24	12	15	174
<b>77720.W0125</b>	125	6	24	20	51	24	28	12	17	248
<b>77720.W0160</b>	160	6	32	30	61	28	31	15	20	460
<b>77720.W0200</b>	200	6	40	35	74	32	40	15	24	863



**77740**



**Material**

Thermoplastic, black, matt. Zinc plated steel hub.

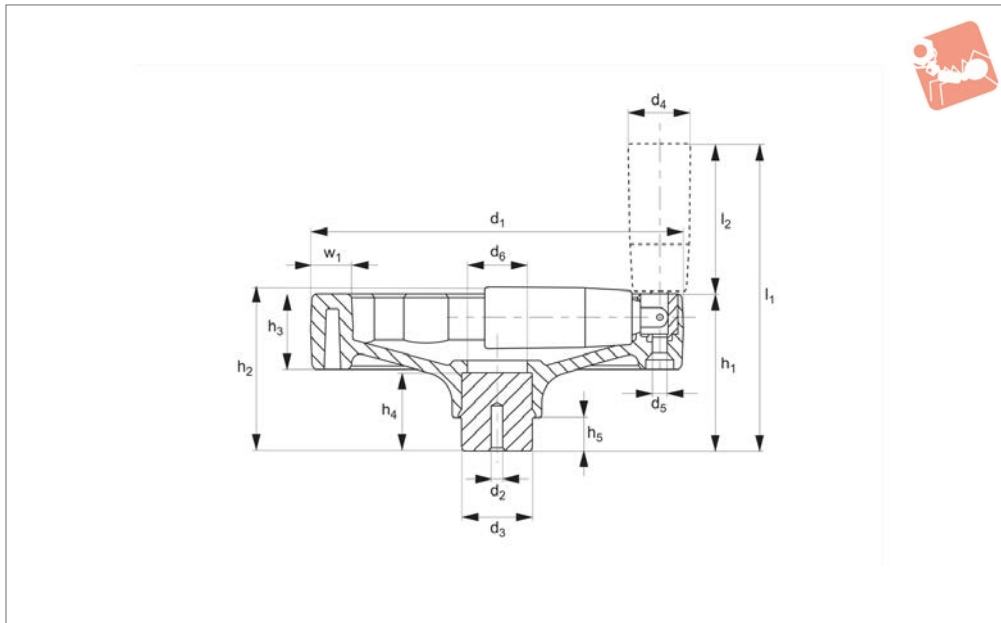
**Technical Notes**

The pilot hole allows various sizes of holes, keyways etc. to be machined into the hub.

Order No.	d <sub>1</sub>	d <sub>2</sub>	d <sub>3</sub>	d <sub>4</sub>	d <sub>5</sub>	d <sub>6</sub>	h <sub>1</sub>	h <sub>2</sub>	h <sub>3</sub>	h <sub>4</sub>	l <sub>1</sub>	l <sub>2</sub>	w <sub>1</sub>	Weight g
<b>77740.W0100</b>	100	4	24	12	M_6	18	46	20	24	21	96	50	15	196
<b>77740.W0125</b>	125	6	24	12	M_6	20	51	24	28	21	101	50	17	276
<b>77740.W0160</b>	160	6	32	15	M_8	30	61	28	31	23	131	70	20	504
<b>77740.W0200</b>	200	6	40	15	M10	35	74	32	40	26	164	90	24	950



# Solid Disc Handwheels with fold-away rotating grip



**77760**

HANDWHEELS

### Material

Thermoplastic, black, matt. Zinc plated steel hub.

### Technical Notes

The pilot hole allows various sizes of holes, keyways etc. to be machined into the hub.

Order No.	d <sub>1</sub>	d <sub>2</sub>	d <sub>3</sub>	d <sub>4</sub>	d <sub>5</sub>	d <sub>6</sub>	h <sub>1</sub>	h <sub>2</sub>	h <sub>3</sub>	h <sub>4</sub>	h <sub>5</sub>	l <sub>1</sub>	l <sub>2</sub>	w <sub>1</sub>	Weight g
<b>77760.W0100</b>	100	4	24	21	M_4	18	46	50	20	24	12	98	52	15	213
<b>77760.W0125</b>	125	6	24	21	M_4	20	51	54	24	28	12	103	52	17	284
<b>77760.W0160</b>	160	6	32	23	M_5	30	61	65	28	31	15	133	72	20	507
<b>77760.W0200</b>	200	6	40	26	M_6	35	74	79	32	40	15	166	92	24	950