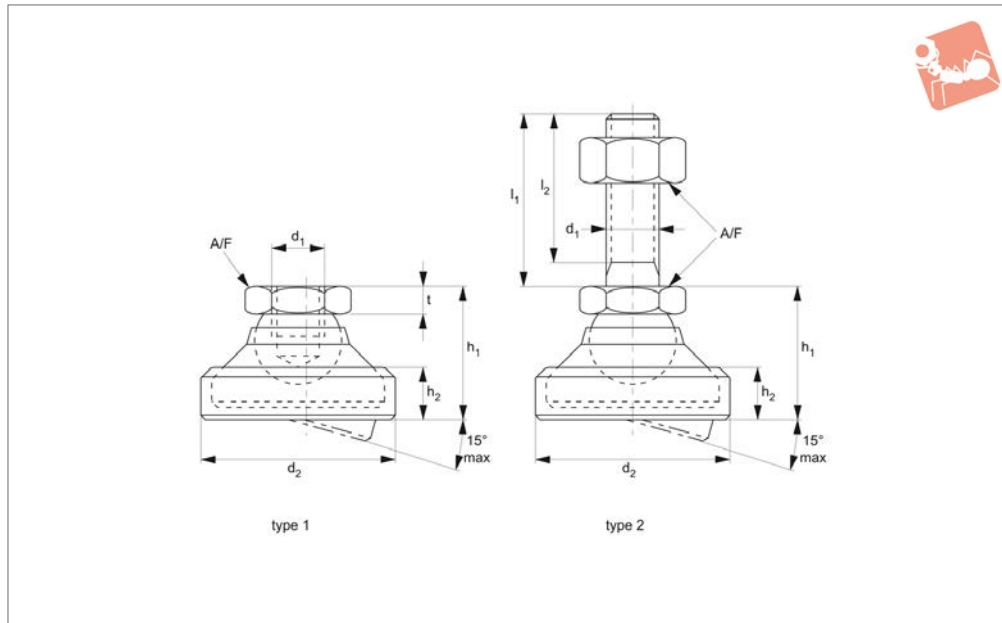




Levelling Feet - Non Slip pad and bolt - steel or stainless

Levelling Feet



34700

LEVELLING FEET

Material

Steel type

Ball: steel heat-treated, tempered, blackened.

Ball with bolt: heat-treated steel, tempered, blackened.

Lock nut: Steel blackened, ISO 4032/DIN 934 (M10, M12 only).

Pad: heat-treated steel, tempered,

blackened.

Stainless type

Pad: stainless steel 1.4305 (AISI 303).

Ball: stainless steel 1.4305 (AISI 303).

Ball with bolt: stainless steel 1.4305 (AISI 303).

Lock nut: Stainless steel A2, ISO 4032/DIN 934 (M10, M12 only).

Cap: Black rubber.

Tips

To be used as feet and thrust pads. Used for levelling up to 15° on surface. Rubber cap prevents reduces slipping.

Also used:

34761 - Levelling Feet - thermoplastic, non slip.

Order No.	Material	Type	d ₁	d ₂	h ₁	h ₂	l ₁	l ₂	t ₁	A/F	Static load kN max.	Weight g
34700.W1006	Steel	Pad	M 6	20	14	2.5	-	-	5.0	10	10	15
34700.W1008	Steel	Pad	M 8	25	18	4.0	-	-	7.0	13	18	33
34700.W1010	Steel	Pad	M10	32	22	5.0	-	-	9.0	17	20	66
34700.W1012	Steel	Pad	M12	40	26	6.0	-	-	11.0	19	35	112
34700.W1016	Steel	Pad	M16	50	32	7.0	-	-	13.5	24	45	220
34700.W1020	Steel	Pad	M20	60	42	8.0	-	-	17.0	30	55	413
34700.W1024	Steel	Pad	M24	60	45	9.5	-	-	19.0	36	65	462
34700.W1410	Steel	Pad and Bolt	M 6	20	14	2.5	60	57.0	-	10	10	29
34700.W1422	Steel	Pad and Bolt	M 8	25	18	4.0	80	76.0	-	13	18	66
34700.W1438	Steel	Pad and Bolt	M10	32	22	5.0	100	95.5	-	17	20	133
34700.W1442	Steel	Pad and Bolt	M10	32	22	5.0	150	145.5	-	17	20	159
34700.W1452	Steel	Pad and Bolt	M12	40	26	6.0	100	94.5	-	19	35	211
34700.W1456	Steel	Pad and Bolt	M12	40	26	6.0	150	144.5	-	19	35	247
34700.W1468	Steel	Pad and Bolt	M16	50	32	7.0	100	94.0	-	24	45	407
34700.W1472	Steel	Pad and Bolt	M16	50	32	7.0	200	194.0	-	24	45	540
34700.W1482	Steel	Pad and Bolt	M20	60	42	8.0	100	92.5	-	30	55	722
34700.W1488	Steel	Pad and Bolt	M20	60	42	8.0	200	192.5	-	30	55	924
34700.W1495	Steel	Pad and Bolt	M24	60	45	9.5	100	91.0	-	36	65	935
34700.W1498	Steel	Pad and Bolt	M24	60	45	9.5	200	191.0	-	36	65	1231
34700.W1206	Stainless Steel	Pad	M 6	20	14	2.5	-	-	5.0	10	8	15
34700.W1208	Stainless Steel	Pad	M 8	25	18	4.0	-	-	7.0	13	14	33
34700.W1210	Stainless Steel	Pad	M10	32	22	5.0	-	-	9.0	17	16	66
34700.W1212	Stainless Steel	Pad	M12	40	26	6.0	-	-	11.0	19	28	112
34700.W1216	Stainless Steel	Pad	M16	50	32	7.0	-	-	13.5	24	36	220
34700.W1220	Stainless Steel	Pad	M20	60	42	8.0	-	-	17.0	30	44	413
34700.W1224	Stainless Steel	Pad	M24	60	45	9.5	-	-	19.0	36	52	462
34700.W1610	Stainless Steel	Pad and Bolt	M 6	20	14	2.5	60	57.0	-	10	8	29



Order No.	Material	Type	d ₁	d ₂	h ₁	h ₂	l ₁	l ₂	t ₁	A/F	Static load kN max.	Weight g
34700.W1622	Stainless Steel	Pad and Bolt	M 8	25	18	4.0	80	76.0	-	13	14	66
34700.W1638	Stainless Steel	Pad and Bolt	M10	32	22	5.0	100	95.5	-	17	16	133
34700.W1642	Stainless Steel	Pad and Bolt	M10	32	22	5.0	150	145.5	-	17	16	159
34700.W1652	Stainless Steel	Pad and Bolt	M12	40	26	6.0	100	94.5	-	19	28	211
34700.W1656	Stainless Steel	Pad and Bolt	M12	40	26	6.0	150	144.5	-	19	28	247
34700.W1668	Stainless Steel	Pad and Bolt	M16	50	32	7.0	100	94.0	-	24	36	407
34700.W1672	Stainless Steel	Pad and Bolt	M16	50	32	7.0	200	194.0	-	24	36	540
34700.W1682	Stainless Steel	Pad and Bolt	M20	60	42	8.0	100	92.5	-	30	44	722
34700.W1688	Stainless Steel	Pad and Bolt	M20	60	42	8.0	200	192.5	-	30	44	924
34700.W1695	Stainless Steel	Pad and Bolt	M24	60	45	9.5	100	91.0	-	36	52	935
34700.W1698	Stainless Steel	Pad and Bolt	M24	60	45	9.5	200	191.0	-	36	52	1231

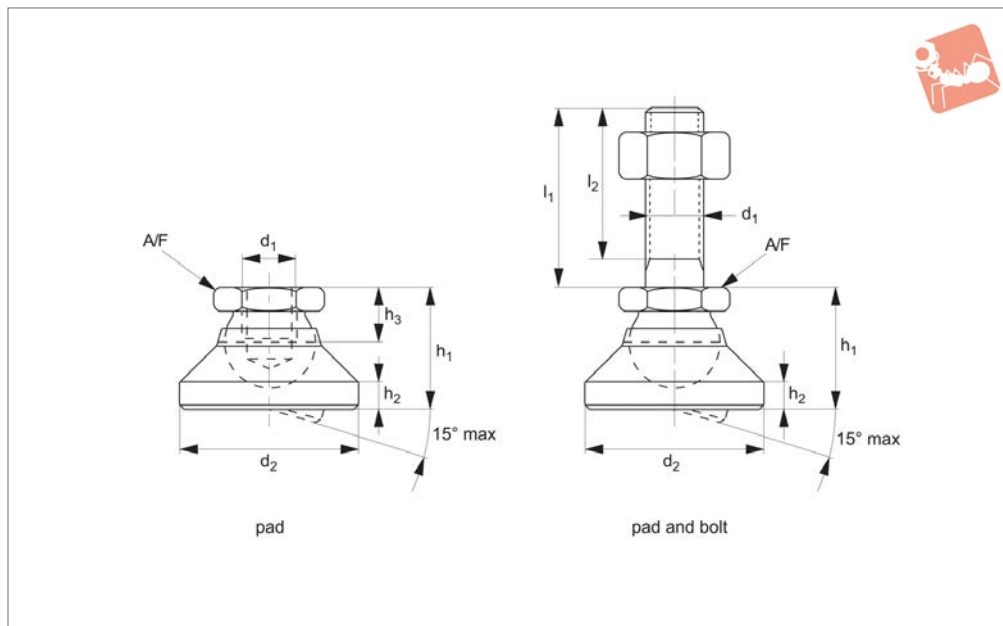


Levelling Feet

pad and bolt steel or stainless



Levelling Feet



34701

LEVELLING FEET

Material

Steel type-

Pad: heat-treated, C35Pbk (ETG100) tempered (800-1000 N/mm²), blackened.
Ball: free cutting steel, 11SMnPn30k (1.0718) - ball hardened (550±50HV10), blackened.

Ball with bolt: heat-treated steel, blackened.

Lock nut: Steel blackened, DIN 934/ISO 4032.

Stainless type-

Pad: stainless steel 1.4305 (AISI 303).
Ball: stainless steel 1.4305 (AISI 303).

Ball with bolt: stainless steel 1.4305 (AISI 303).

Lock nut: Stainless steel A2, DIN 934/ISO 4032.

Tips

To be used as feet and thrust pads.

Order No.	Material	Type	d ₁	d ₂	h ₁ ≈	h ₂	h ₃	l ₁	l ₂	A/F	Static load steel kN max.	Static load stainless kN max.	Weight g
34701.W0006	Steel	Pad	M6	20	14	2.5	5.0	-	-	10	10	8	15
34701.W0008	Steel	Pad	M8	25	18	4.0	7.0	-	-	13	18	14	33
34701.W0010	Steel	Pad	M10	32	22	5.0	9.0	-	-	17	20	16	66
34701.W0012	Steel	Pad	M12	40	26	6.0	11.0	-	-	19	35	28	112
34701.W0016	Steel	Pad	M16	50	32	7.0	13.5	-	-	24	45	36	220
34701.W0020	Steel	Pad	M20	60	42	8.0	17.0	-	-	30	55	44	413
34701.W0024	Steel	Pad	M24	60	45	9.5	19.0	-	-	36	65	52	462
34701.W0206	Stainless	Pad	M6	20	14	2.5	5.0	-	-	10	10	8	15
34701.W0208	Stainless	Pad	M8	25	18	4.0	7.0	-	-	13	18	14	33
34701.W0210	Stainless	Pad	M10	32	22	5.0	9.0	-	-	17	20	16	66
34701.W0212	Stainless	Pad	M12	40	26	6.0	11.0	-	-	19	35	28	112
34701.W0216	Stainless	Pad	M16	50	32	7.0	13.5	-	-	24	45	36	220
34701.W0220	Stainless	Pad	M20	60	42	8.0	17.0	-	-	30	55	44	413
34701.W0224	Stainless	Pad	M24	60	45	9.5	19.0	-	-	36	65	52	462
34701.W0410	Steel	Pad and Bolt	M 6	20	14	2.5	-	60	57.0	10	10	8	29
34701.W0422	Steel	Pad and Bolt	M 8	25	18	4.0	-	80	76.0	13	18	14	66
34701.W0438	Steel	Pad and Bolt	M10	32	22	5.0	-	100	95.5	17	20	16	133
34701.W0442	Steel	Pad and Bolt	M10	32	22	5.0	-	150	145.5	17	20	16	159
34701.W0452	Steel	Pad and Bolt	M12	40	26	6.0	-	100	94.5	19	35	28	211
34701.W0456	Steel	Pad and Bolt	M12	40	26	6.0	-	150	144.5	19	35	28	247
34701.W0468	Steel	Pad and Bolt	M16	50	32	7.0	-	100	94.0	24	45	36	407
34701.W0472	Steel	Pad and Bolt	M16	50	32	7.0	-	200	194.0	24	45	36	540
34701.W0482	Steel	Pad and Bolt	M20	60	42	8.0	-	100	92.5	30	55	44	722
34701.W0488	Steel	Pad and Bolt	M20	60	42	8.0	-	200	192.5	30	55	44	924
34701.W0495	Steel	Pad and Bolt	M24	60	45	9.5	-	100	91.0	36	65	52	935
34701.W0498	Steel	Pad and Bolt	M24	60	45	9.5	-	200	191.0	36	65	52	1231
34701.W0610	Stainless	Pad and Bolt	M 6	20	14	2.5	-	60	57.0	10	10	8	29
34701.W0622	Stainless	Pad and Bolt	M 8	25	18	4.0	-	80	76.0	13	18	14	66
34701.W0638	Stainless	Pad and Bolt	M10	32	22	5.0	-	100	95.5	17	20	16	133
34701.W0642	Stainless	Pad and Bolt	M10	32	22	5.0	-	150	145.5	17	20	16	159



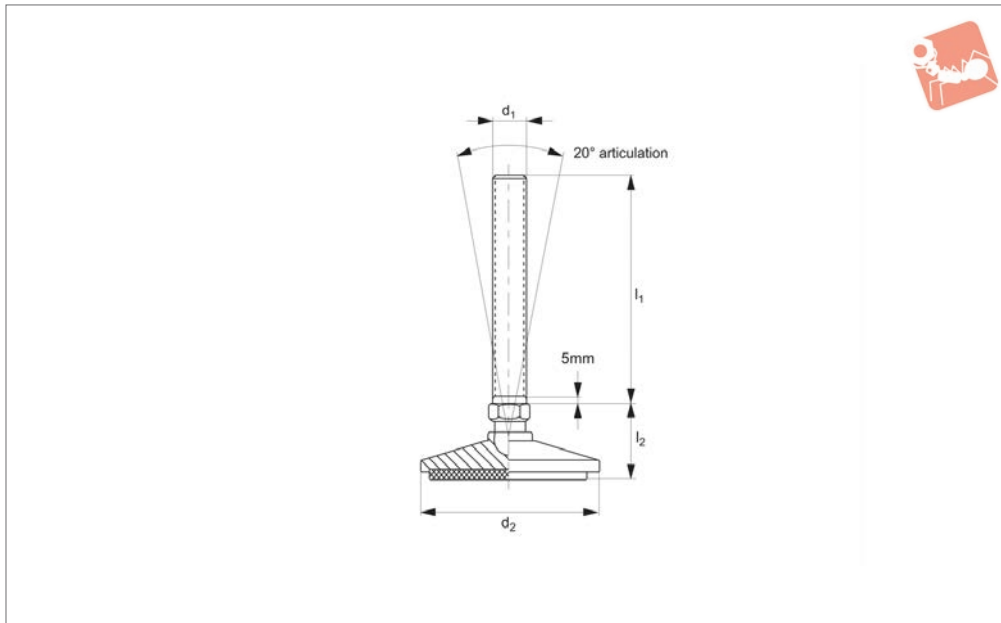
Order No.	Material	Type	d ₁	d ₂	h ₁ ~	h ₂	h ₃	l ₁	l ₂	A/F	Static load steel kN max.	Static load stainless kN max.	Weight g
34701.W0652	Stainless	Pad and Bolt	M12	40	26	6.0	-	100	94.5	19	35	28	211
34701.W0656	Stainless	Pad and Bolt	M12	40	26	6.0	-	150	144.5	19	35	28	247
34701.W0668	Stainless	Pad and Bolt	M16	50	32	7.0	-	100	94.0	24	45	36	407
34701.W0672	Stainless	Pad and Bolt	M16	50	32	7.0	-	200	194.0	24	45	36	540
34701.W0682	Stainless	Pad and Bolt	M20	60	42	8.0	-	100	92.5	30	55	44	722
34701.W0688	Stainless	Pad and Bolt	M20	60	42	8.0	-	200	192.5	30	55	44	924
34701.W0695	Stainless	Pad and Bolt	M24	60	45	9.5	-	100	91.0	36	65	52	935
34701.W0698	Stainless	Pad and Bolt	M24	60	45	9.5	-	200	191.0	36	65	52	1231



Levelling Feet pad and bolt stainless steel



Levelling Feet



34711

LEVELLING FEET

Material

Pad and bolt: stainless steel, type AISI 303. With nitril rubber pad.

Tips

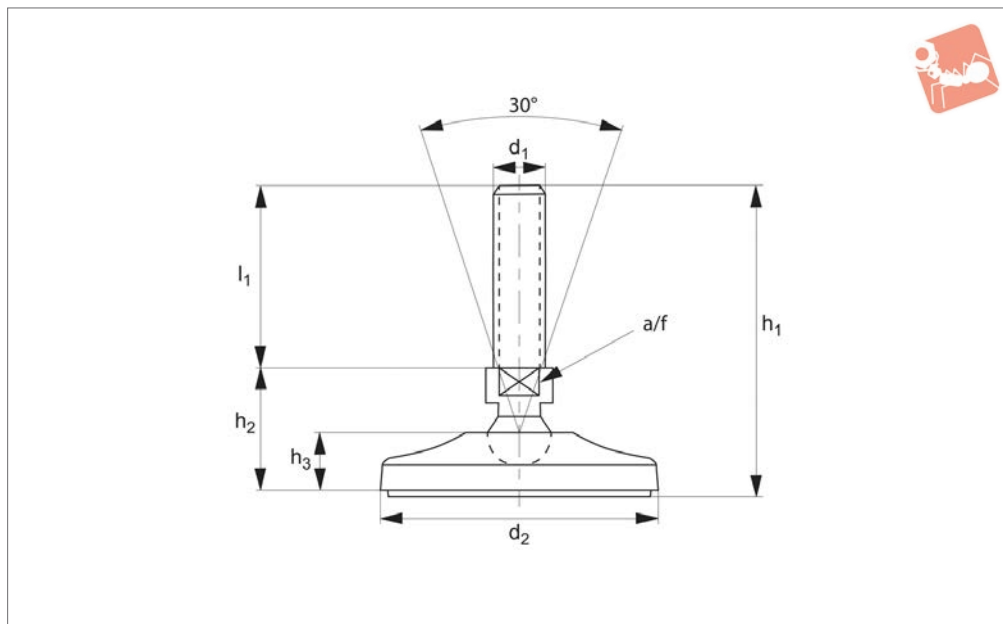
For use in a wide range of industries including, food processing, pharmaceutical,

electronic, medical and machinery shops.

Order No.	d ₁	l ₁	d ₂	l ₂	Static load kN max.
34711.W0120	M12	75	55	27	7.5
34711.W0121	M12	125	55	27	7.5
34711.W0122	M12	150	55	27	7.5
34711.W0160	M16	75	65	33	12.5
34711.W0161	M16	125	65	33	12.5
34711.W0162	M16	150	65	33	12.5
34711.W0200	M20	125	75	41	17.5
34711.W0201	M20	150	75	41	17.5
34711.W0202	M20	200	75	41	17.5
34711.W0240	M24	125	100	52	25.0
34711.W0241	M24	150	100	52	25.0
34711.W0242	M24	200	100	52	25.0



34714



Material

Stainless steel (AISI 304), with rubber pad (70 Shore A).

Stainless steel (AISI 316) version available

on request.

Technical Notes

Load values refer to static loads, located at

half the screw height.

When vibrations or dynamic loads are present these values should be reduced.

Order No.	d ₁	l ₁	d ₂	h ₁	h ₂	h ₃	A/F	Load kN max.
34714.W1000	M10	25	50	56	28	16.0	14	15
34714.W1001	M10	50	50	81	28	16.0	14	15
34714.W1002	M10	75	50	106	28	16.0	14	15
34714.W1003	M10	100	50	131	28	16.0	14	15
34714.W1004	M10	125	50	156	28	16.0	14	15
34714.W1200	M12	25	50	56	28	16.0	14	15
34714.W1201	M12	50	50	81	28	16.0	14	15
34714.W1202	M12	75	50	106	28	16.0	14	15
34714.W1203	M12	100	50	131	28	16.0	14	15
34714.W1204	M12	125	50	156	28	16.0	14	15
34714.W1400	M14	50	65	83	30	17.0	14	20
34714.W1401	M14	75	65	108	30	17.0	14	20
34714.W1402	M14	100	65	133	30	17.0	14	20
34714.W1403	M14	125	65	158	30	17.0	14	20
34714.W1404	M14	150	65	183	30	17.0	14	20
34714.W1600	M16	50	100	96	43	20.0	20	35
34714.W1601	M16	75	100	121	43	20.0	20	35
34714.W1602	M16	100	100	146	43	20.0	20	35
34714.W1603	M16	125	100	171	43	20.0	20	35
34714.W1604	M16	150	100	196	43	20.0	20	35
34714.W1605	M16	175	100	221	43	20.0	20	35
34714.W1606	M16	200	100	246	43	20.0	20	35
34714.W2000	M20	75	100	121	43	20.0	20	45
34714.W2001	M20	100	100	146	43	20.0	20	45
34714.W2002	M20	125	100	171	43	20.0	20	45
34714.W2003	M20	150	100	196	43	20.0	20	45
34714.W2004	M20	175	100	221	43	20.0	20	45
34714.W2005	M20	200	100	246	43	20.0	20	45
34714.W2006	M20	225	100	271	43	20.0	20	45
34714.W2007	M20	250	100	296	43	20.0	20	45
34714.W2400	M24	75	100	122	44	20.0	20	55
34714.W2401	M24	100	100	147	44	20.0	20	55
34714.W2402	M24	125	100	172	44	20.0	20	55



Levelling Feet

stainless steel swivel



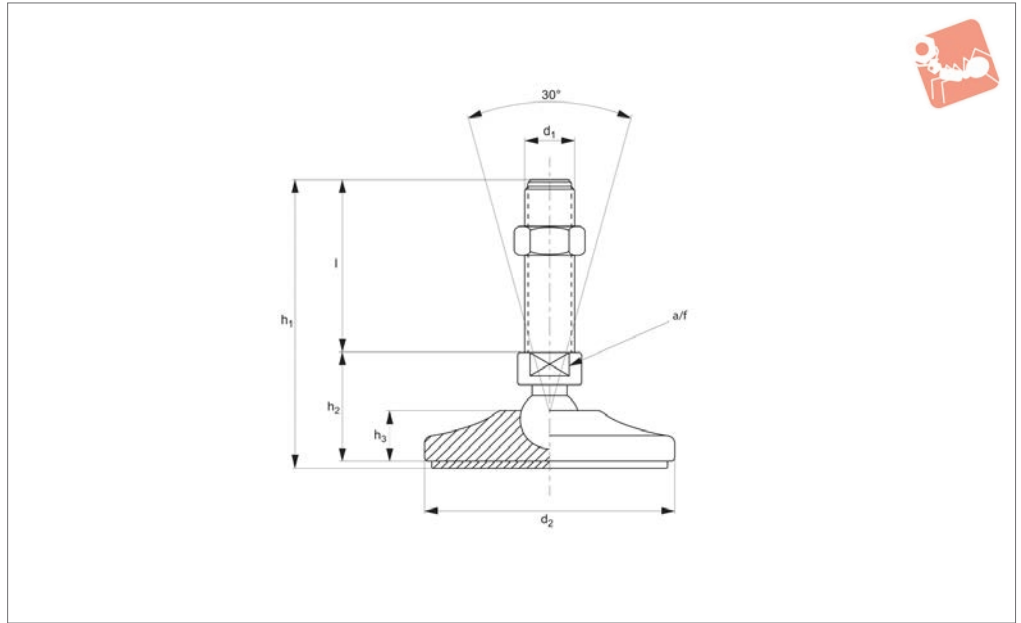
Levelling Feet

Order No.	d ₁	l ₁	d ₂	h ₁	h ₂	h ₃	A/F	Load kN max.
34714.W2403	M24	150	100	202	44	20.0	20	55
34714.W2404	M24	175	100	222	44	20.0	20	55
34714.W2405	M24	200	100	247	44	20.0	20	55
34714.W2406	M24	225	100	272	44	20.0	20	55
34714.W2407	M24	250	100	297	44	20.0	20	55
34714.W3000	M30	100	120	150	47	23.0	26	65
34714.W3001	M30	125	120	175	47	23.0	26	65
34714.W3002	M30	150	120	200	47	23.0	26	65
34714.W3003	M30	175	120	225	47	23.0	26	65
34714.W3004	M30	200	120	250	47	23.0	26	65
34714.W3005	M30	225	120	275	47	23.0	26	65
34714.W3006	M30	250	120	300	47	23.0	26	65

LEVELLING FEET



34716



Material

Stainless steel (AISI 304), with rubber pad (70 Shore A).
Stainless steel (AISI 316) version available

on request.

Technical Notes

Load values refer to static loads, located at

half the screw height.

When vibrations or dynamic loads are present these values should be reduced.

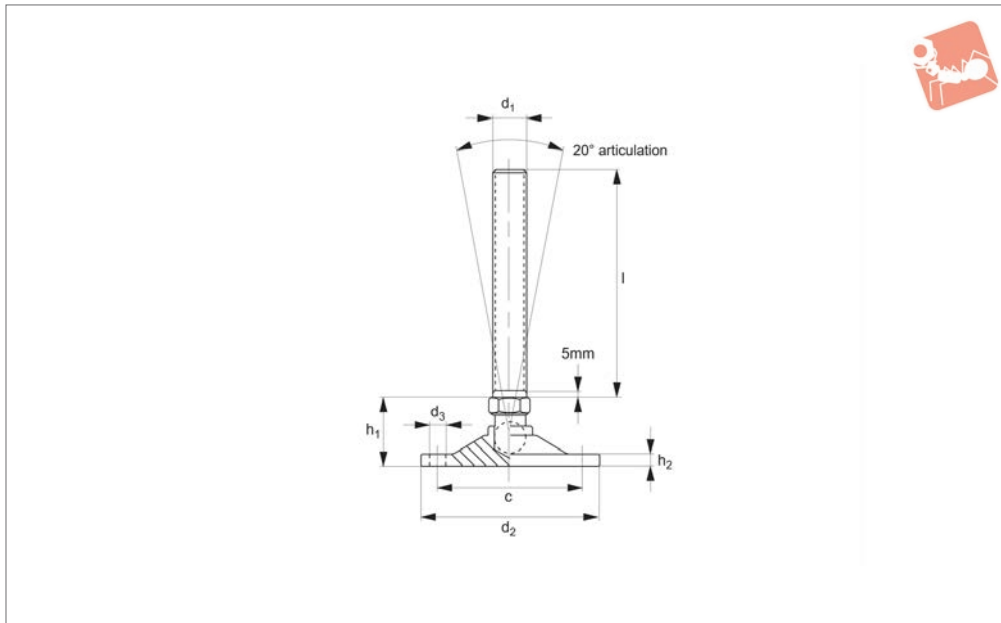
Order No.	d ₁	d ₂	l	h ₁	h ₂	h ₃	A/F	Load kN max.
34716.W2000	M20	160	75	127	49	26	20	50
34716.W2001	M20	160	100	152	49	26	20	50
34716.W2002	M20	160	125	177	49	26	20	50
34716.W2003	M20	160	150	202	49	26	20	50
34716.W2004	M20	160	175	227	49	26	20	50
34716.W2005	M20	160	200	252	49	26	20	50
34716.W2400	M24	160	75	127	49	26	20	60
34716.W2401	M24	160	100	152	49	26	20	60
34716.W2402	M24	160	125	177	49	26	20	60
34716.W2403	M24	160	150	202	49	26	20	60
34716.W2404	M24	160	175	227	49	26	20	60
34716.W2405	M24	160	200	252	49	26	20	60
34716.W3000	M30	160	100	152	49	26	26	70
34716.W3001	M30	160	125	177	49	26	26	70
34716.W3002	M30	160	150	202	49	26	26	70
34716.W3003	M30	160	175	227	49	26	26	70
34716.W3004	M30	160	200	252	49	26	26	70
34716.W3005	M30	160	225	277	49	26	26	70
34716.W3006	M30	160	250	302	49	26	26	70
34716.W3600	M36	160	150	204	51	26	32	80
34716.W3601	M36	160	200	254	51	26	32	80



Levelling Feet - Bolt Down, Medium

pad and bolt **stainless steel**

Levelling Feet



34712

LEVELLING FEET

Material

Pad and bolt: stainless steel, AISI 303.

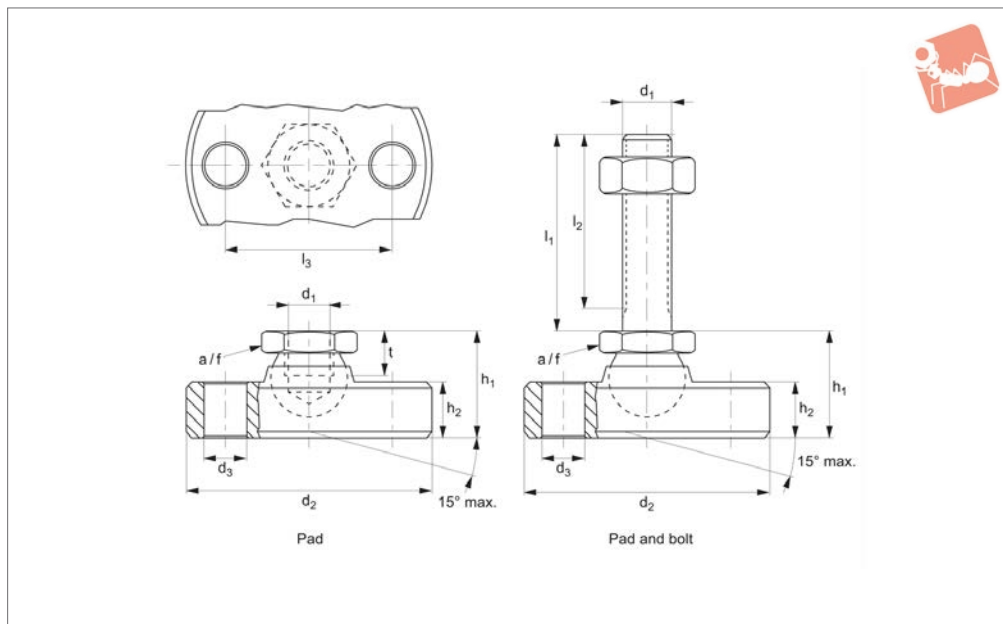
Technical Notes

Bolt has a 20° angle of movement.

Order No.	d ₁	d ₂	c	d ₃	l	h ₁	h ₂	Static load kN max.
34712.W0508	M 8	50	40	5.5	60	22	4.0	3.0
34712.W0600	M10	50	40	5.5	75	22	5.0	5.0
34712.W0620	M12	50	40	5.5	75	25	4.0	7.5
34712.W0621	M12	60	50	5.5	75	25	5.0	12.5
34712.W0622	M12	60	50	5.5	125	25	5.0	12.5
34712.W0623	M12	60	50	5.5	150	25	5.0	12.5
34712.W0660	M16	80	68	6.5	75	31	6.0	17.5
34712.W0661	M16	80	68	6.5	125	31	6.0	17.5
34712.W0662	M16	80	68	6.5	150	31	6.0	17.5
34712.W0700	M20	100	82	9.0	125	39	6.5	25.0
34712.W0701	M20	100	82	9.0	150	39	6.5	25.0
34712.W0702	M20	100	82	9.0	200	39	6.5	25.0
34712.W0703	M24	120	100	11.0	150	56	7.5	37.5
34712.W0704	M24	120	100	11.0	200	56	7.5	37.5



34713



Material

Pad and bolt: stainless steel 1.4305, AISI 303.

Lock nut: Stainless steel A2, DIN 934 and

ISO 4032.

Technical Notes

To be used as foot and thrust pad. Inclu-

ding two mounting holes in pad.

Order No.	Finish	d ₁	l ₁	d ₂ -0.5	d ₃	l ₂	l ₃	h ₁ ≈	h ₂	t	A/F	Static load kN max.	Weight g
34713.W0706	Pad	M 6	-	45	6.6	-	32	14	6.5	5.0	10	8	79
34713.W0708	Pad	M 8	-	50	6.6	-	38	18	8.5	7.0	13	14	130
34713.W0710	Pad	M10	-	60	9.0	-	44	22	11.5	9.0	17	16	250
34713.W0712	Pad	M12	-	65	9.0	-	48	26	12.5	11.0	19	28	326
34713.W0716	Pad	M16	-	70	9.0	-	54	32	13.5	13.5	24	36	427
34713.W0720	Pad	M20	-	80	9.0	-	64	42	16.5	17.0	30	44	718
34713.W0724	Pad	M24	-	100	11.0	-	78	45	20.5	19.0	36	52	1304
34713.W0810	Pad and Bolt	M 6	60	45	6.6	57.0	32	14	6.5	-	10	8	93
34713.W0822	Pad and Bolt	M 8	80	50	6.6	76.0	38	18	8.5	-	13	14	163
34713.W0838	Pad and Bolt	M10	100	60	9.0	95.5	44	22	11.5	-	17	16	318
34713.W0842	Pad and Bolt	M10	150	60	9.0	145.5	44	22	11.5	-	17	16	341
34713.W0852	Pad and Bolt	M12	100	65	9.0	94.5	48	26	12.5	-	19	28	423
34713.W0856	Pad and Bolt	M12	150	65	9.0	144.5	48	26	12.5	-	19	28	459
34713.W0868	Pad and Bolt	M16	100	70	9.0	94.0	54	32	13.5	-	24	36	615
34713.W0872	Pad and Bolt	M16	200	70	9.0	194.0	54	32	13.5	-	24	36	746
34713.W0882	Pad and Bolt	M20	100	80	9.0	92.5	64	42	16.5	-	30	44	1029
34713.W0888	Pad and Bolt	M20	200	80	9.0	192.5	64	42	16.5	-	30	44	1231
34713.W0895	Pad and Bolt	M24	100	100	11.0	91.0	78	45	20.5	-	36	52	1775
34713.W0898	Pad and Bolt	M24	200	100	11.0	191.0	78	45	20.5	-	36	52	2075

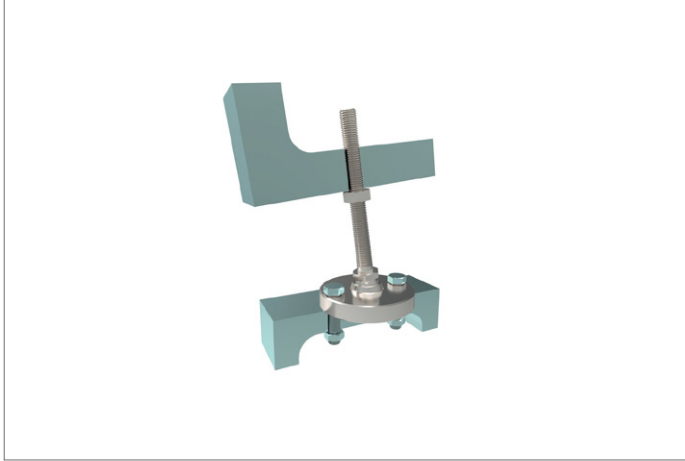


Levelling Feet - Bolt Down, Heavy

pad and bolt **stainless steel**



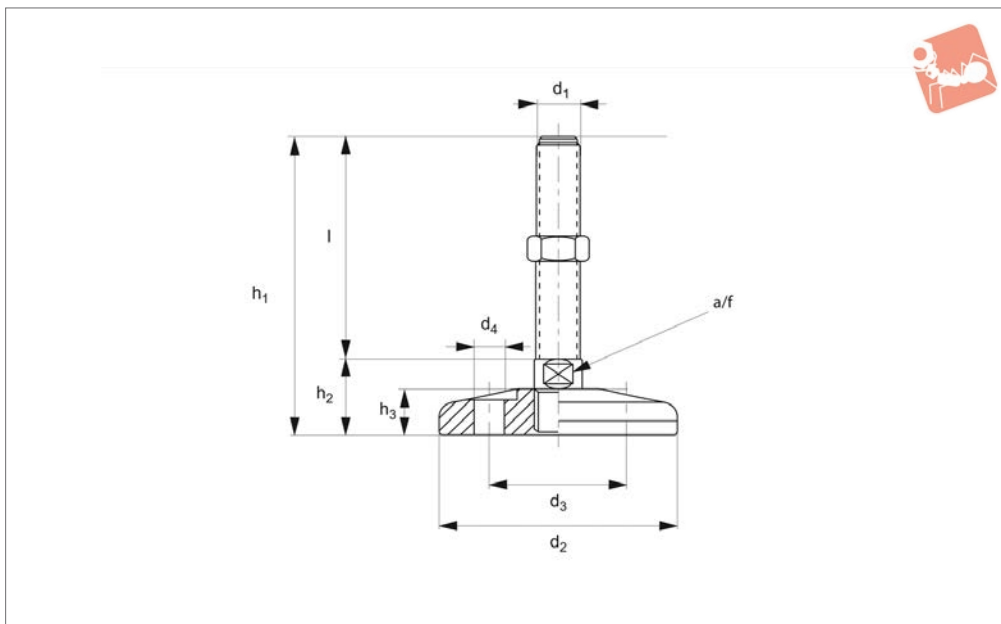
Levelling Feet



LEVELLING FEET



34718



Material

Stainless steel (AISI 304).
Stainless steel (AISI 316) version available on request.

Technical Notes

Load values refer to static loads, located at half the screw height.
When vibrations or dynamic loads are

present these values should be reduced.

Order No.	d ₁	d ₂	d ₃	d ₄	l	h ₁	h ₂	h ₃	A/F	Load kN max.
34718.W1600	M16	100	74	12.5	100	133	33	20	20	35
34718.W1601	M16	100	74	12.5	150	183	33	20	20	35
34718.W1602	M16	100	74	12.5	200	233	33	20	20	35
34718.W2000	M20	100	74	12.5	100	133	33	20	20	40
34718.W2001	M20	100	74	12.5	150	183	33	20	20	40
34718.W2002	M20	100	74	12.5	200	233	33	20	20	40
34718.W2003	M20	100	74	12.5	250	283	33	20	20	40
34718.W2400	M24	100	74	12.5	100	134	34	20	20	45
34718.W2401	M24	100	74	12.5	150	184	34	20	20	45
34718.W2402	M24	100	74	12.5	200	234	34	20	20	45
34718.W2403	M24	100	74	12.5	250	284	34	20	20	45
34718.W2004	M20	120	74	12.5	100	135	35	22	20	45
34718.W2005	M20	120	74	12.5	150	185	35	22	20	45
34718.W2006	M20	120	74	12.5	200	235	35	22	20	45
34718.W2007	M20	120	74	12.5	250	285	35	22	20	45
34718.W2404	M24	120	74	12.5	100	136	36	22	20	50
34718.W2405	M24	120	74	12.5	150	186	36	22	20	50
34718.W2406	M24	120	74	12.5	200	231	36	22	20	50
34718.W2407	M24	120	74	12.5	250	281	36	22	20	50
34718.W3000	M30	120	74	12.5	100	136	36	22	26	60
34718.W3001	M30	120	74	12.5	150	186	36	22	26	60
34718.W3002	M30	120	74	12.5	200	236	36	22	26	60
34718.W3003	M30	120	74	12.5	250	286	36	22	26	60
34718.W2008	M20	159	74	12.5	100	136	36	23	20	50
34718.W2009	M20	159	74	12.5	150	186	36	23	20	50
34718.W2010	M20	159	74	12.5	200	236	36	23	20	50
34718.W2011	M20	159	74	12.5	250	286	36	23	20	50
34718.W2408	M24	159	74	12.5	100	137	37	23	20	60
34718.W2409	M24	159	74	12.5	150	187	37	23	20	60
34718.W2410	M24	159	74	12.5	200	237	37	23	20	60
34718.W2411	M24	159	74	12.5	250	287	37	23	20	60
34718.W3004	M30	159	74	12.5	100	137	37	23	26	70
34718.W3005	M30	159	74	12.5	150	187	37	23	26	70



Levelling Feet - Bolt Down

stainless steel, heavy duty

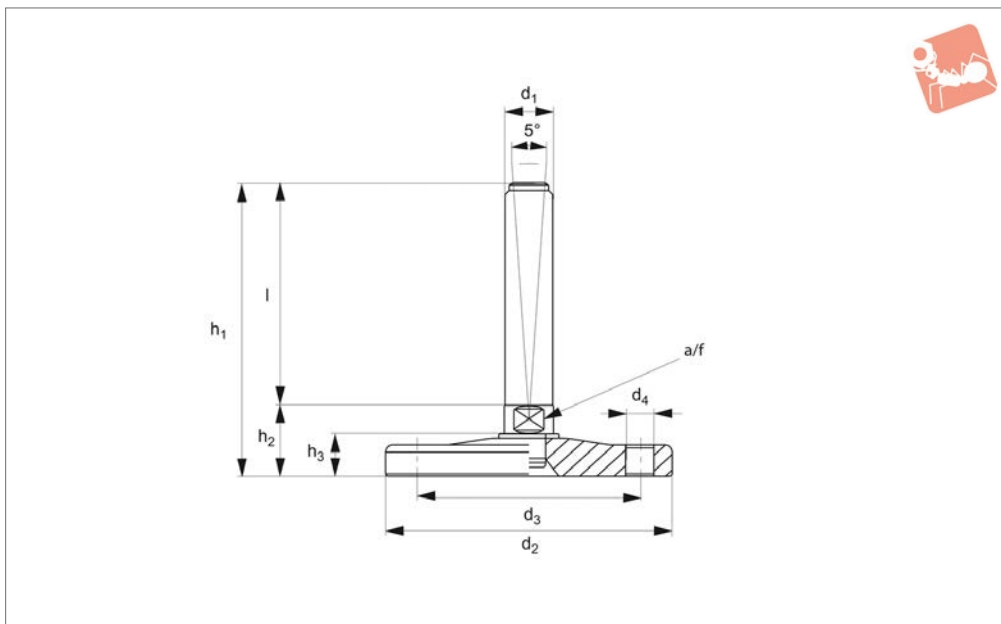


Levelling Feet

Order No.	d ₁	d ₂	d ₃	d ₄	l	h ₁	h ₂	h ₃	A/F	Load kN max.
34718.W3006	M30	159	74	12.5	200	237	37	23	26	70
34718.W3007	M30	159	74	12.5	250	287	37	23	26	70



34717



Material

Stainless steel (AISI 304).
Stainless steel (AISI 316) version available on request.

Technical Notes

Load values refer to static loads, located at half the screw height.
When vibrations or dynamic loads are

present these values should be reduced.

Order No.	d ₁	d ₂	d ₃	d ₄	l	h ₁	h ₂	h ₃	A/F	Load kN max.
34717.W1400	M14	80	62	10.5	50	70	20	11.5	14	20
34717.W1401	M14	80	62	10.5	100	120	20	11.5	14	20
34717.W1402	M14	80	62	10.5	150	170	20	11.5	14	20
34717.W1600	M16	120	62	12.5	75	104	29	16.5	17	40
34717.W1601	M16	120	62	12.5	100	129	29	16.5	17	40
34717.W1602	M16	120	62	12.5	150	179	29	16.5	17	40
34717.W2000	M20	120	62	12.5	75	104	29	16.5	17	40
34717.W2001	M20	120	62	12.5	125	154	29	16.5	17	40
34717.W2002	M20	120	62	12.5	175	204	29	16.5	17	40
34717.W2400	M24	120	62	12.5	100	130	30	16.5	20	45
34717.W2401	M24	120	62	12.5	150	180	30	16.5	20	45
34717.W2402	M24	120	62	12.5	200	230	30	16.5	20	45
34717.W3000	M30	120	62	12.5	125	155	30	16.5	26	45
34717.W3001	M30	120	62	12.5	175	205	30	16.5	26	45
34717.W3002	M30	120	62	12.5	225	255	30	16.5	26	45
34717.W2003	M20	150	62	12.5	75	104	29	16.5	17	50
34717.W2004	M20	150	62	12.5	125	154	29	16.5	17	50
34717.W2005	M20	150	62	12.5	175	204	29	16.5	17	50
34717.W2403	M24	150	62	12.5	100	130	30	16.5	20	55
34717.W2404	M24	150	62	12.5	150	180	30	16.5	20	55
34717.W2405	M24	150	62	12.5	200	230	30	16.5	20	55