

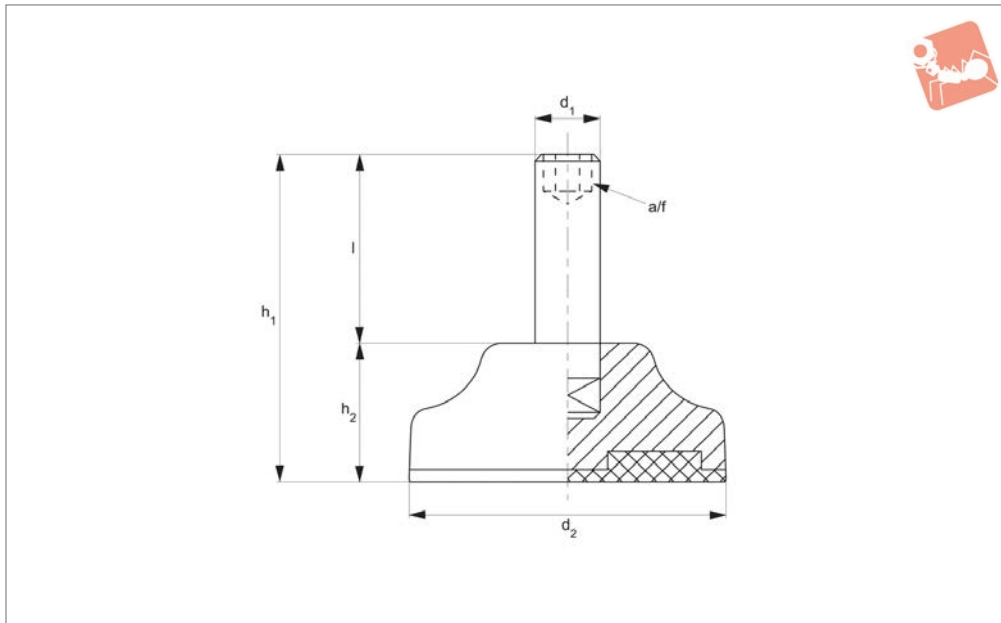


# Fixed Feet

stainless with hex socket



# Levelling Feet



**34612**

LEVELLING FEET

### Material

Pad: polyamide reinforced by fibre glass with anti-slip pad.  
Bolt: stainless steel AISI 304.

### Technical Notes

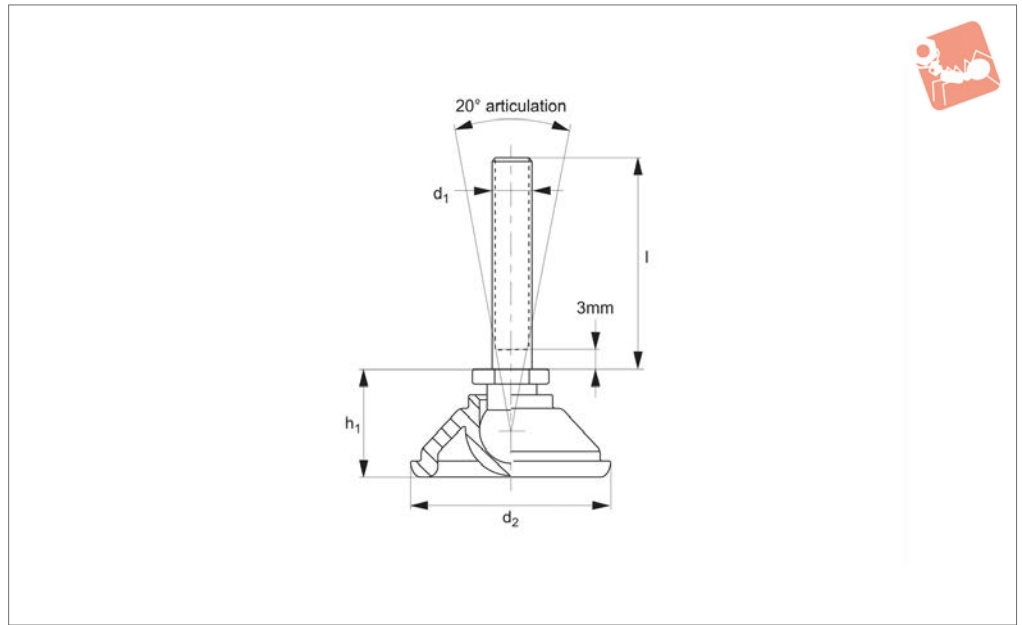
Load values refer to static loads, located at half the screw height.  
When vibrations or dynamic loads are

present these values should be reduced.

Order No.	d <sub>1</sub>	d <sub>2</sub>	l	h <sub>1</sub>	h <sub>2</sub>	A/F	Load kN max.
34612.W0800	M 8	40	25	44	19	4	5
34612.W0801	M 8	40	50	69	19	4	5
34612.W0802	M 8	50	25	48	23	4	6
34612.W0803	M 8	50	50	73	23	4	6
34612.W1000	M10	40	25	44	19	5	5
34612.W1001	M10	40	50	69	19	5	5
34612.W1002	M10	50	25	48	23	5	6
34612.W1003	M10	50	50	73	23	5	6



**34741**

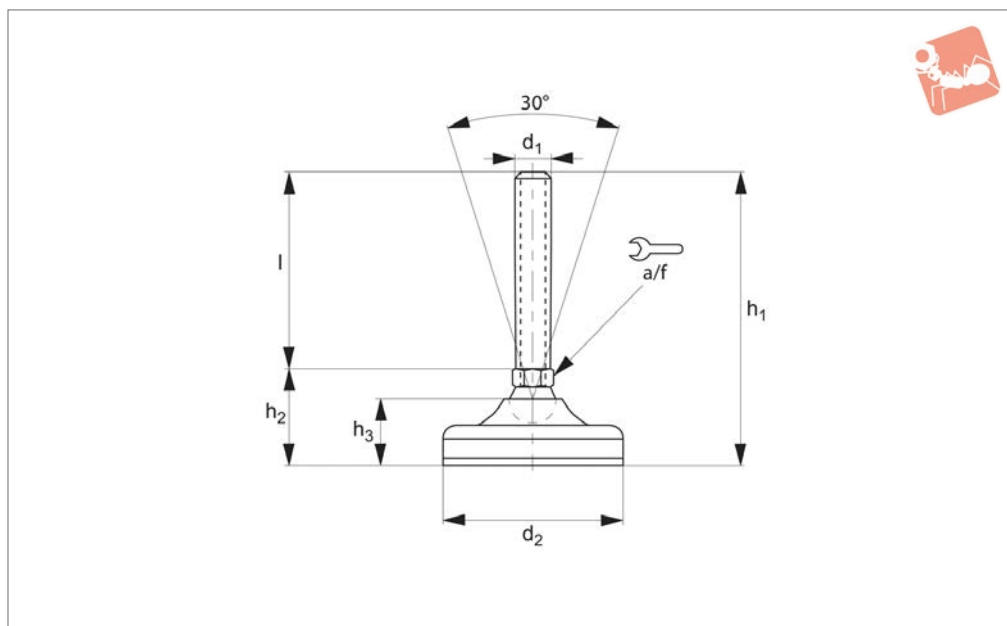


**Material**

Pad: polyamide reinforced nylon.

Bolt: stainless steel, AISI 303.

Order No.	d <sub>1</sub>	d <sub>2</sub>	l	h <sub>1</sub>	Static load kN max.
34741.W0060	M 6	40	20	21	3.0
34741.W0061	M 6	50	20	23	3.0
34741.W0062	M 6	40	40	21	3.0
34741.W0063	M 6	50	40	23	3.0
34741.W0080	M 8	40	25	21	4.5
34741.W0081	M 8	50	25	23	4.5
34741.W0082	M 8	40	40	21	4.5
34741.W0083	M 8	50	40	23	4.5
34741.W0084	M 8	40	60	21	4.5
34741.W0085	M 8	50	60	23	4.5
34741.W0100	M10	40	38	21	5.0
34741.W0101	M10	50	38	23	5.0
34741.W0102	M10	40	60	21	5.0
34741.W0103	M10	50	60	23	5.0
34741.W0104	M10	40	75	21	5.0
34741.W0105	M10	50	75	23	5.0
34741.W0120	M12	40	50	23	6.0
34741.W0121	M12	50	50	25	6.0
34741.W0122	M12	40	75	23	6.0
34741.W0123	M12	50	75	25	6.0
34741.W0124	M12	40	100	23	6.0
34741.W0125	M12	50	100	25	6.0
34741.W0126	M12	40	125	23	6.0
34741.W0127	M12	50	125	25	6.0
34741.W0128	M12	50	160	25	6.0



## 34743

LEVELLING FEET

### Material

Pad: polyamide reinforced by fibre glass with anti-slip pad.

Bolt: stainless steel AISI 304.

### Technical Notes

Load values refer to static loads, located at half the screw height.

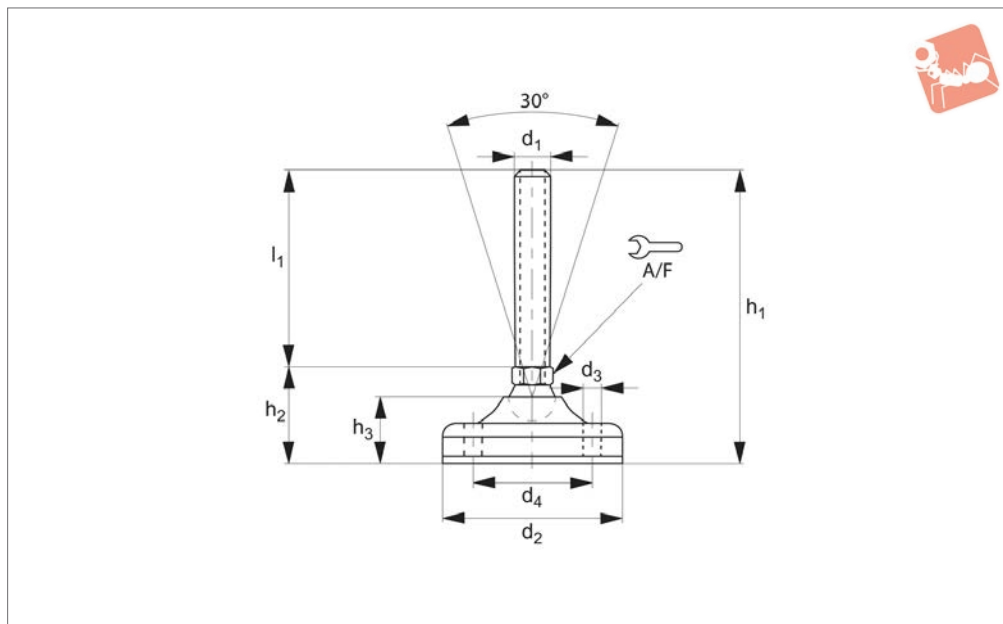
When vibrations or dynamic loads are

present these values should be reduced.

Order No.	d <sub>1</sub>	d <sub>2</sub>	l	h <sub>1</sub>	h <sub>2</sub>	h <sub>3</sub>	A/F	Load kN max.
34743.W0800	M 8	40	25	55	30	19.5	12	10
34743.W0801	M 8	40	50	80	30	19.5	12	10
34743.W0802	M 8	40	75	105	30	19.5	12	10
34743.W0803	M 8	40	100	130	30	19.5	12	10
34743.W1001	M10	65	50	86	36	26.0	14	11
34743.W1002	M10	65	75	111	36	26.0	14	11
34743.W1003	M10	65	100	136	36	26.0	14	11
34743.W1004	M10	65	125	161	36	26.0	14	11
34743.W1200	M12	65	50	86	36	26.0	14	11
34743.W1201	M12	65	75	111	36	26.0	14	11
34743.W1202	M12	65	100	136	36	26.0	14	11
34743.W1203	M12	65	125	161	36	26.0	14	11
34743.W1400	M14	65	50	86	36	26.0	14	15
34743.W1401	M14	65	75	111	36	26.0	14	15
34743.W1402	M14	65	100	136	36	26.0	14	15
34743.W1403	M14	65	125	161	36	26.0	14	15
34743.W1404	M14	65	150	186	36	26.0	14	15
34743.W1405	M14	65	175	211	36	26.0	14	15
34743.W1600	M16	65	50	90	40	26.0	13	15
34743.W1601	M16	65	75	115	40	26.0	13	15
34743.W1602	M16	65	100	140	40	26.0	13	15
34743.W1603	M16	65	125	165	40	26.0	13	15
34743.W1604	M16	65	150	190	40	26.0	13	15
34743.W1605	M16	65	175	215	40	26.0	13	15
34743.W1606	M16	65	200	240	40	26.0	13	15
34743.W2000	M20	65	50	90	40	26.0	17	15
34743.W2001	M20	65	75	115	40	26.0	17	15
34743.W2002	M20	65	100	140	40	26.0	17	15
34743.W2003	M20	65	125	165	40	26.0	17	15
34743.W2004	M20	65	150	190	40	26.0	17	15
34743.W2005	M20	65	175	215	40	26.0	17	15
34743.W2006	M20	65	200	240	40	26.0	17	15



## 34744



### Material

Pad: polyamide reinforced by fibre glass with anti-slip pad.

Bolt: stainless steel AISI 304.

### Technical Notes

Load values refer to static loads, located at half the screw height.

When vibrations or dynamic loads are

present these values should be reduced.

Larger pad size allows for bolt down holes to be drilled through.

Order No.	d <sub>1</sub>	l <sub>1</sub>	d <sub>2</sub>	d <sub>3</sub>	d <sub>4</sub>	h <sub>1</sub>	h <sub>2</sub>	h <sub>3</sub>	A/F	Load kN max.
34744.W1000	M10	50	83	8.5	55	91	38	27	14	15
34744.W1001	M10	75	83	8.5	55	116	38	27	14	15
34744.W1002	M10	100	83	8.5	55	141	38	27	14	15
34744.W1003	M10	125	83	8.5	55	166	38	27	14	15
34744.W1200	M12	50	83	8.5	55	91	38	27	14	15
34744.W1201	M12	75	83	8.5	55	116	38	27	14	15
34744.W1202	M12	100	83	8.5	55	141	38	27	14	15
34744.W1203	M12	125	83	8.5	55	166	38	27	14	15
34744.W1400	M14	50	83	8.5	55	91	38	27	14	20
34744.W1401	M14	75	83	8.5	55	116	38	27	14	20
34744.W1402	M14	100	83	8.5	55	141	38	27	14	20
34744.W1403	M14	125	83	8.5	55	166	38	27	14	20
34744.W1404	M14	150	83	8.5	55	191	38	27	14	20
34744.W1405	M14	175	83	8.5	55	216	38	27	14	20
34744.W1600	M16	50	83	8.5	55	94	41	27	13	20
34744.W1601	M16	75	83	8.5	55	119	41	27	13	20
34744.W1602	M16	100	83	8.5	55	144	41	27	13	20
34744.W1603	M16	125	83	8.5	55	169	41	27	13	20
34744.W1604	M16	150	83	8.5	55	194	41	27	13	20
34744.W1605	M16	175	83	8.5	55	219	41	27	13	20
34744.W1606	M16	200	83	8.5	55	244	41	27	13	20
34744.W1607	M16	50	103	12.5	73	104	51	32	20	25
34744.W1608	M16	75	103	12.5	73	129	51	32	20	25
34744.W1609	M16	100	103	12.5	73	154	51	32	20	25
34744.W1610	M16	125	103	12.5	73	179	51	32	20	25
34744.W1611	M16	150	103	12.5	73	204	51	32	20	25
34744.W1612	M16	175	103	12.5	73	229	51	32	20	25
34744.W1613	M16	200	103	12.5	73	254	51	32	20	25
34744.W1614	M16	225	103	12.5	73	279	51	32	20	25
34744.W2000	M20	75	83	8.5	55	119	41	27	17	20
34744.W2001	M20	100	83	8.5	55	144	41	27	17	20
34744.W2002	M20	125	83	8.5	55	169	41	27	17	20
34744.W2003	M20	150	83	8.5	55	194	41	27	17	20



# Levelling Feet

bolt down option, bolt **stainless steel**



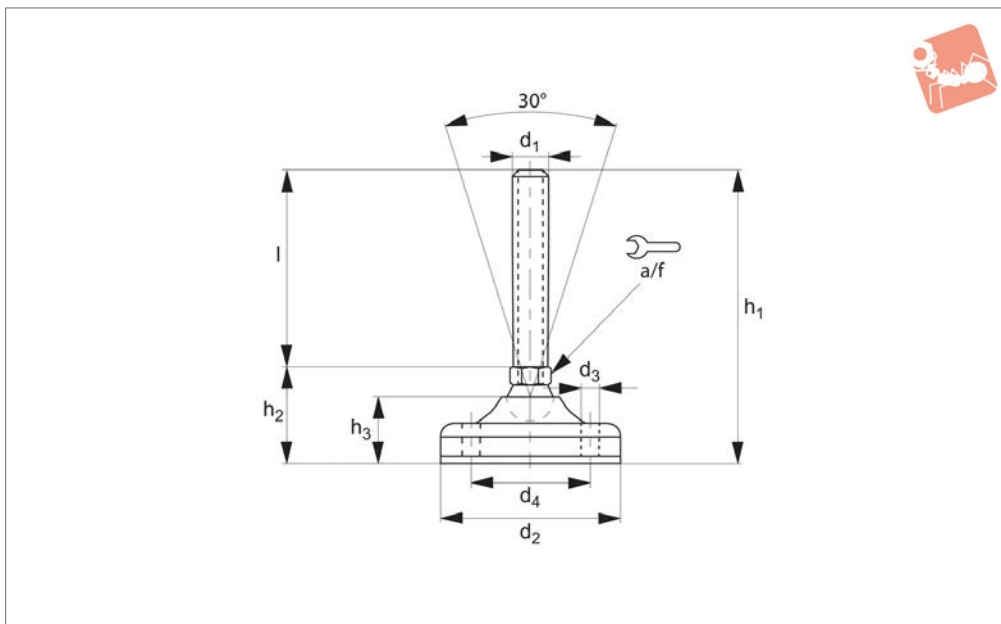
# Levelling Feet

Order No.	d <sub>1</sub>	l <sub>1</sub>	d <sub>2</sub>	d <sub>3</sub>	d <sub>4</sub>	h <sub>1</sub>	h <sub>2</sub>	h <sub>3</sub>	A/F	Load kN max.
<b>34744.W2004</b>	M20	175	83	8.5	55	219	41	27	17	20
<b>34744.W2005</b>	M20	200	83	8.5	55	244	41	27	17	20
<b>34744.W2006</b>	M20	225	83	8.5	55	269	41	27	17	20
<b>34744.W2007</b>	M20	75	103	12.5	73	129	51	32	20	25
<b>34744.W2008</b>	M20	100	103	12.5	73	154	51	32	20	25
<b>34744.W2009</b>	M20	125	103	12.5	73	179	51	32	20	25
<b>34744.W2010</b>	M20	150	103	12.5	73	204	51	32	20	25
<b>34744.W2011</b>	M20	175	103	12.5	73	229	51	32	20	25
<b>34744.W2012</b>	M20	200	103	12.5	73	254	51	32	20	25
<b>34744.W2013</b>	M20	225	103	12.5	73	279	51	32	20	25
<b>34744.W2014</b>	M20	250	103	12.5	73	304	51	32	20	25
<b>34744.W2400</b>	M24	75	103	12.5	73	129	51	32	20	25
<b>34744.W2401</b>	M24	100	103	12.5	73	154	51	32	20	25
<b>34744.W2402</b>	M24	125	103	12.5	73	179	51	32	20	25
<b>34744.W2403</b>	M24	150	103	12.5	73	204	51	32	20	25
<b>34744.W2404</b>	M24	175	103	12.5	73	229	51	32	20	25
<b>34744.W2405</b>	M24	200	103	12.5	73	280	51	32	20	25
<b>34744.W2406</b>	M24	250	103	12.5	73	302	51	32	20	25
<b>34744.W2407</b>	M24	250	103	12.5	73	305	51	32	20	25

LEVELLING FEET



## 34746



### Material

Pad: polyamide reinforced by fibre glass with anti-slip pad.

Bolt: stainless steel AISI 304.

### Technical Notes

Load values refer to static loads, located at half the screw height.

When vibrations or dynamic loads are

present these values should be reduced.

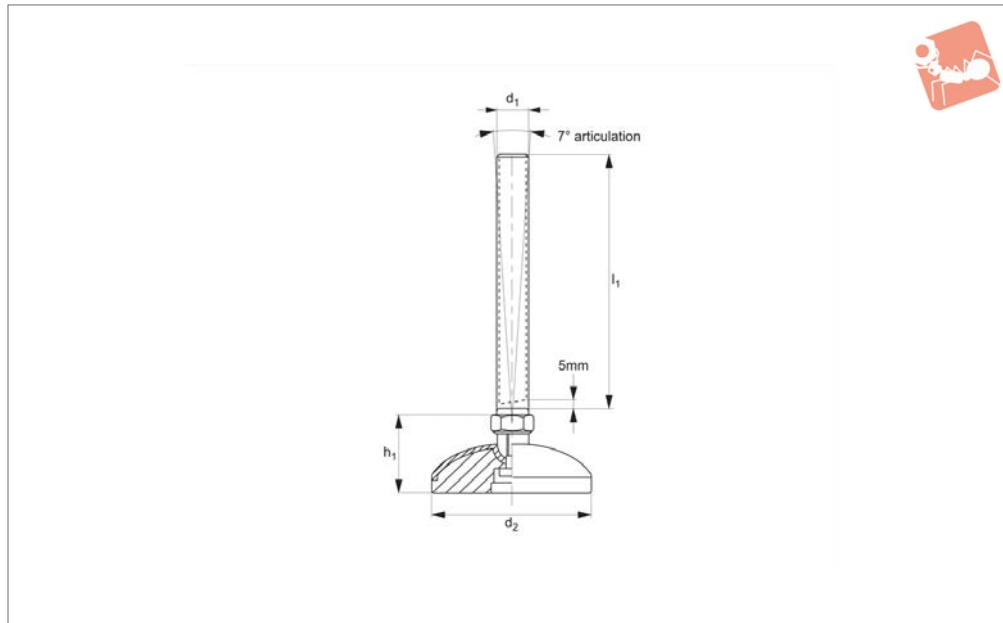
Larger pad size allows for bolt down holes to be drilled through.

Order No.	d <sub>1</sub>	d <sub>2</sub>	l	d <sub>3</sub>	d <sub>4</sub>	h <sub>1</sub>	h <sub>2</sub>	h <sub>3</sub>	A/F	Load kN max.
34746.W1600	M16	123	50	12.5	87	110	60	40	20	35
34746.W1601	M16	123	75	12.5	87	135	60	40	20	35
34746.W1602	M16	123	100	12.5	87	160	60	40	20	35
34746.W1603	M16	123	125	12.5	87	185	60	40	20	35
34746.W1604	M16	123	150	12.5	87	210	60	40	20	35
34746.W1605	M16	123	175	12.5	87	235	60	40	20	35
34746.W1606	M16	123	200	12.5	87	260	60	40	20	35
34746.W1607	M16	123	225	12.5	87	285	60	40	20	35
34746.W2000	M20	123	75	12.5	87	135	60	40	20	35
34746.W2001	M20	123	100	12.5	87	160	60	40	20	35
34746.W2002	M20	123	125	12.5	87	185	60	40	20	35
34746.W2003	M20	123	150	12.5	87	210	60	40	20	35
34746.W2004	M20	123	175	12.5	87	235	60	40	20	35
34746.W2005	M20	123	200	12.5	87	260	60	40	20	35
34746.W2006	M20	123	225	12.5	87	285	60	40	20	35
34746.W2007	M20	123	250	12.5	87	310	60	40	20	35
34746.W2400	M24	123	75	12.5	87	135	60	40	20	35
34746.W2401	M24	123	100	12.5	87	160	60	40	20	35
34746.W2402	M24	123	125	12.5	87	185	60	40	20	35
34746.W2403	M24	123	150	12.5	87	210	60	40	20	35
34746.W2404	M24	123	175	12.5	87	235	60	40	20	35
34746.W2405	M24	123	200	12.5	87	260	60	40	20	35
34746.W2406	M24	123	225	12.5	87	285	60	40	20	35
34746.W2407	M24	123	250	12.5	87	310	60	40	20	35
34746.W3000	M30	123	100	12.5	87	161	61	40	26	35
34746.W3001	M30	123	125	12.5	87	186	61	40	26	35
34746.W3002	M30	123	150	12.5	87	211	61	40	26	35
34746.W3003	M30	123	175	12.5	87	236	61	40	26	35
34746.W3004	M30	123	200	12.5	87	261	61	40	26	35
34746.W3005	M30	123	225	12.5	87	286	61	40	26	35
34746.W3006	M30	123	250	12.5	87	311	61	40	26	35



# Machine Mount - Vibration Damp- pad and bolt - stainless steel

## Levelling Feet



**34751**

LEVELLING FEET

### Material

Pad: pressed stainless steel AISI 303.  
Bolt: stainless steel AISI 303.  
Pad insert: nitril rubber.

part ref 65686.

### Tips

For use in wide range of industries including food processing, medical equipment, electronics and machinery workshops.

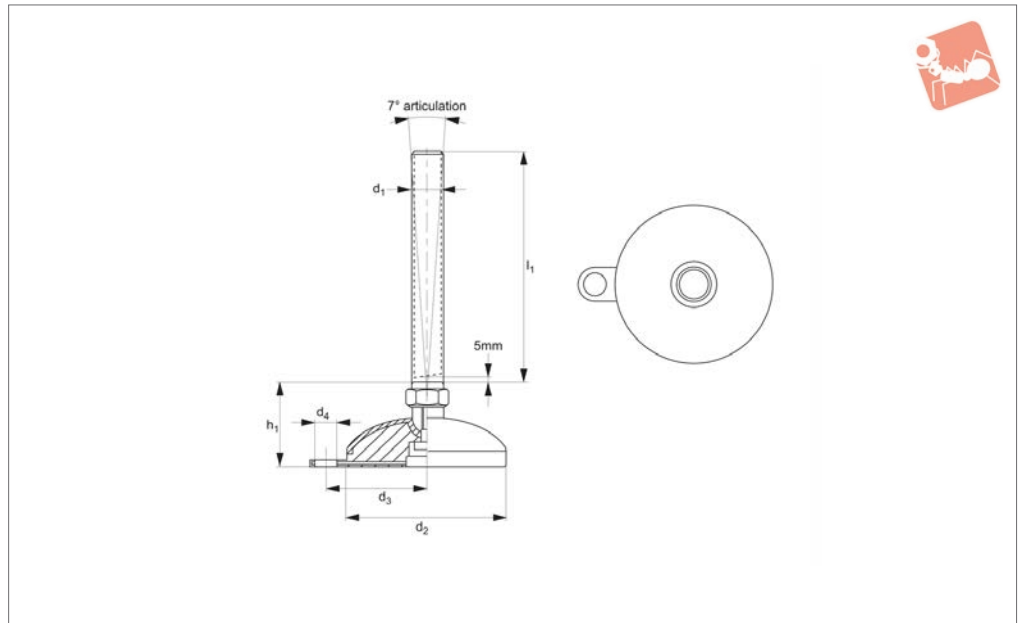
### Technical Notes

Lock nuts available separately. Please see

Order No.	d <sub>1</sub>	l <sub>1</sub>	d <sub>2</sub>	h <sub>1</sub>	Static load kN max.
34751.W0100	M10	50	50	25	3.5
34751.W0101	M10	100	50	25	3.5
34751.W0120	M12	100	50	25	3.5
34751.W0121	M12	150	50	25	3.5
34751.W0160	M16	100	50	28	3.5
34751.W0161	M16	150	50	28	3.5
34751.W0162	M16	100	75	33	7.5
34751.W0163	M16	150	75	33	7.5
34751.W0164	M16	200	75	33	7.5
34751.W0165	M16	100	100	38	10.0
34751.W0166	M16	150	100	38	10.0
34751.W0167	M16	200	100	38	10.0
34751.W0200	M20	150	75	35	7.5
34751.W0201	M20	200	75	35	7.5
34751.W0202	M20	150	100	41	10.0
34751.W0203	M20	200	100	41	10.0
34751.W0240	M24	150	100	43	10.0
34751.W0241	M24	250	100	43	10.0



## 34752



### Material

Pad: pressed stainless steel AISI 303.  
Bolt: stainless steel AISI 303.  
Pad insert: nitril rubber.

### Technical Notes

Use of the bolt down tag allows the

machine mount to be fixed in place.

### Tips

For use in wide range of industries including food processing, medical equipment, electronics and machinery workshops.

Order No.	$d_1$	$l_1$	$d_2$	$d_3$	$d_4$	$h_1$	Static load kN max.
34752.W0662	M16	100	75	52	13	33	7.5
34752.W0663	M16	150	75	52	13	33	7.5
34752.W0664	M16	200	75	52	13	33	7.5
34752.W0665	M16	100	100	67	13	38	10.0
34752.W0666	M16	150	100	67	13	38	10.0
34752.W0667	M16	200	100	67	13	38	10.0
34752.W0700	M20	150	75	52	13	33	7.5
34752.W0701	M20	200	75	52	13	33	7.5
34752.W0702	M20	150	100	67	13	41	10.0
34752.W0703	M20	200	100	67	13	41	10.0
34752.W0740	M24	150	100	67	13	43	10.0
34752.W0741	M24	200	100	67	13	43	10.0



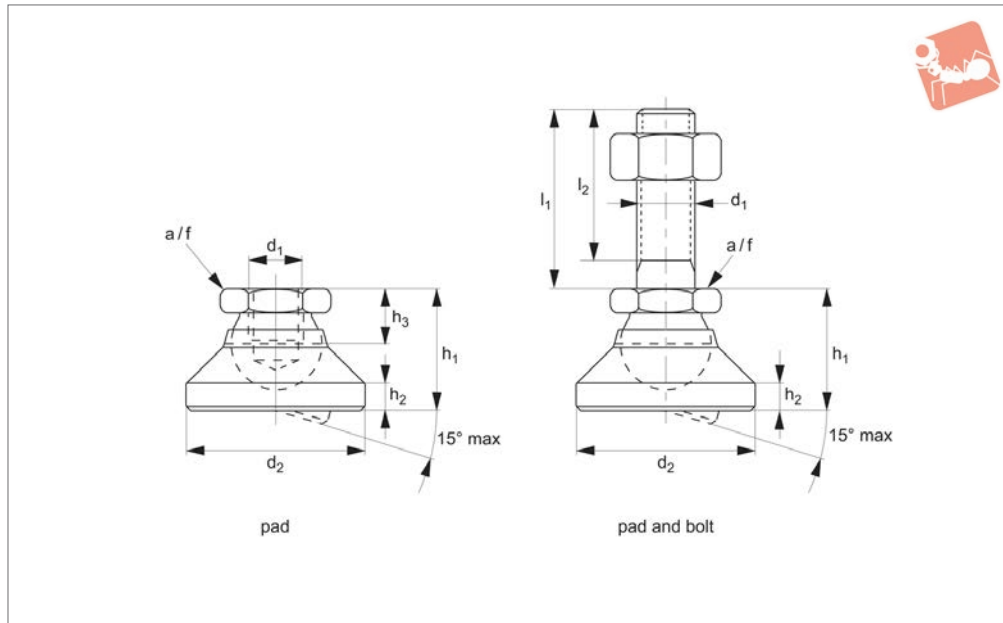


# Levelling Feet

pad thermoplastic, bolt **stainless steel**



# Levelling Feet



## 34760

LEVELLING FEET

### Material

Pad: white thermoplastic (POM).

Bolt: stainless steel 1.4305 (AISI 303).

Lock nut: Stainless steel A2, DIN 934/ISO 4032.

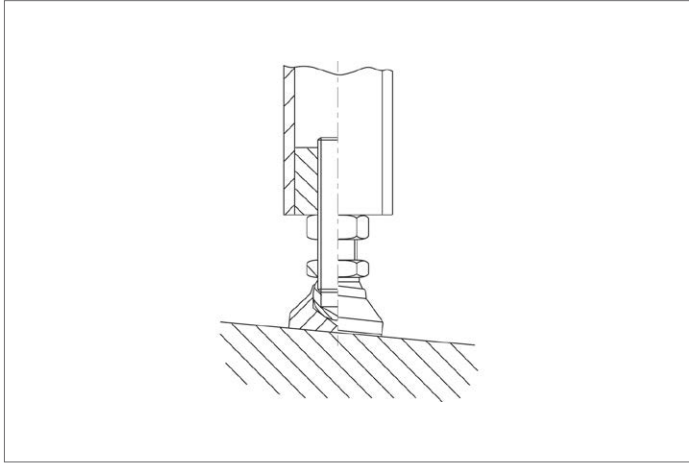
### Technical Notes

For use as feet and thrust pads.

Order No.	Type	d <sub>1</sub>	l <sub>1</sub>	d <sub>2</sub>	l <sub>2</sub>	h <sub>1</sub> ≈	h <sub>2</sub>	h <sub>3</sub>	Static load kN max.	A/F	Weight g
<b>34760.W0106</b>	Pad	M 6	-	20	-	14	2.5	5.0	4	10	6
<b>34760.W0108</b>	Pad	M 8	-	25	-	18	4.0	7.0	7	13	13
<b>34760.W0110</b>	Pad	M10	-	32	-	22	5.0	9.0	10	17	26
<b>34760.W0112</b>	Pad	M12	-	40	-	26	6.0	11.0	18	19	40
<b>34760.W0116</b>	Pad	M16	-	50	-	32	7.0	13.5	20	24	75
<b>34760.W0120</b>	Pad	M20	-	60	-	42	8.0	17.0	22	30	120
<b>34760.W0124</b>	Pad	M24	-	60	-	45	9.5	19.0	25	36	184
<b>34760.W0510</b>	Pad and Bolt	M 6	60	20	57.0	14	2.5	-	4	10	20
<b>34760.W0522</b>	Pad and Bolt	M 8	80	25	76.0	18	4.0	-	7	13	46
<b>34760.W0538</b>	Pad and Bolt	M10	100	32	95.5	22	5.0	-	10	17	92
<b>34760.W0542</b>	Pad and Bolt	M10	150	32	145.5	22	5.0	-	10	17	118
<b>34760.W0552</b>	Pad and Bolt	M12	100	40	94.5	26	6.0	-	18	19	139
<b>34760.W0556</b>	Pad and Bolt	M12	150	40	144.5	26	6.0	-	18	19	173
<b>34760.W0568</b>	Pad and Bolt	M16	100	50	94.0	32	7.0	-	20	24	264
<b>34760.W0572</b>	Pad and Bolt	M16	200	50	194.0	32	7.0	-	20	24	393
<b>34760.W0582</b>	Pad and Bolt	M20	100	60	92.5	42	8.0	-	22	30	463
<b>34760.W0588</b>	Pad and Bolt	M20	200	60	192.5	42	8.0	-	22	30	664
<b>34760.W0595</b>	Pad and Bolt	M24	100	60	91.0	45	9.5	-	25	36	662
<b>34760.W0598</b>	Pad and Bolt	M24	200	60	191.0	45	9.5	-	25	36	960



LEVELLING FEET



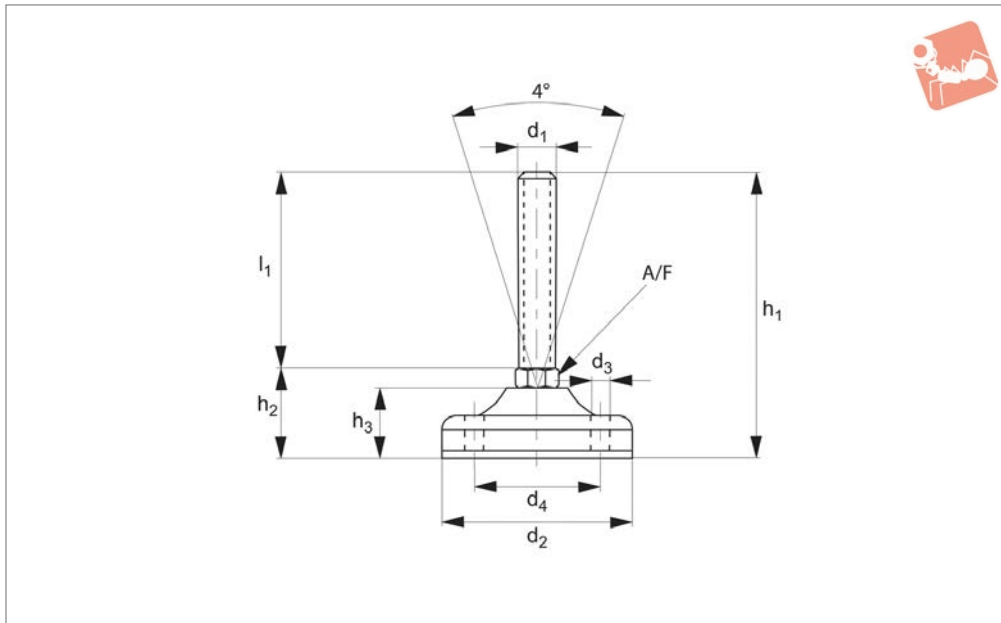


# Machine Mount

plastic pad, bolt black polyamide bolt down option



# Levelling Feet



**34754**

LEVELLING FEET

### Material

Pad: black polyamide.  
Bolt: stainless steel AISI 303.

Pad insert: nitril rubber.

half the screw height.

### Technical Notes

Load values refer to static loads, located at

Order No.	d <sub>1</sub>	l <sub>1</sub>	d <sub>2</sub>	d <sub>3</sub>	d <sub>4</sub>	h <sub>1</sub>	h <sub>2</sub>	h <sub>3</sub>	A/F	Load kN max.
34754.W1000	M10	50	83	8.5	56	89	39	31	14	15
34754.W1001	M10	75	83	8.5	56	114	39	31	14	15
34754.W1002	M10	100	83	8.5	56	139	39	31	14	15
34754.W1003	M10	125	83	8.5	56	164	39	31	14	15
34754.W1200	M12	50	83	8.5	56	89	39	31	14	15
34754.W1201	M12	75	83	8.5	56	114	39	31	14	15
34754.W1202	M12	100	83	8.5	56	139	39	31	14	15
34754.W1203	M12	125	83	8.5	56	164	39	31	14	15
34754.W1400	M14	50	83	8.5	56	89	39	31	14	20
34754.W1401	M14	75	83	8.5	56	114	39	31	14	20
34754.W1402	M14	100	83	8.5	56	139	39	31	14	20
34754.W1403	M14	125	83	8.5	56	164	39	31	14	20
34754.W1404	M14	150	83	8.5	56	189	39	31	14	20
34754.W1405	M14	175	83	8.5	56	215	39	31	14	20
34754.W1600	M16	50	83	8.5	56	93	43	31	13	20
34754.W1601	M16	75	83	8.5	56	118	43	31	13	20
34754.W1602	M16	100	83	8.5	56	143	43	31	13	20
34754.W1603	M16	125	83	8.5	56	168	43	31	13	20
34754.W1604	M16	150	83	8.5	56	193	43	31	13	20
34754.W1605	M16	175	83	8.5	56	218	43	31	13	20
34754.W1606	M16	200	83	8.5	56	243	43	31	13	20
34754.W1607	M16	50	103	12.5	73	98	48	36	17	35
34754.W1608	M16	75	103	12.5	73	123	48	36	17	35
34754.W1609	M16	100	103	12.5	73	148	48	36	17	35
34754.W1610	M16	125	103	12.5	73	173	48	36	17	35
34754.W1611	M16	150	103	12.5	73	198	48	36	17	35
34754.W1612	M16	175	103	12.5	73	223	48	36	17	35
34754.W1613	M16	200	103	12.5	73	248	48	36	17	35
34754.W1614	M16	225	103	12.5	73	273	48	36	17	35
34754.W1615	M16	50	123	12.5	87	103	53	40	20	45
34754.W1616	M16	75	123	12.5	87	128	53	40	20	45
34754.W1617	M16	100	123	12.5	87	153	53	40	20	45
34754.W1618	M16	125	123	12.5	87	178	53	40	20	45
34754.W1619	M16	150	123	12.5	87	203	53	40	20	45



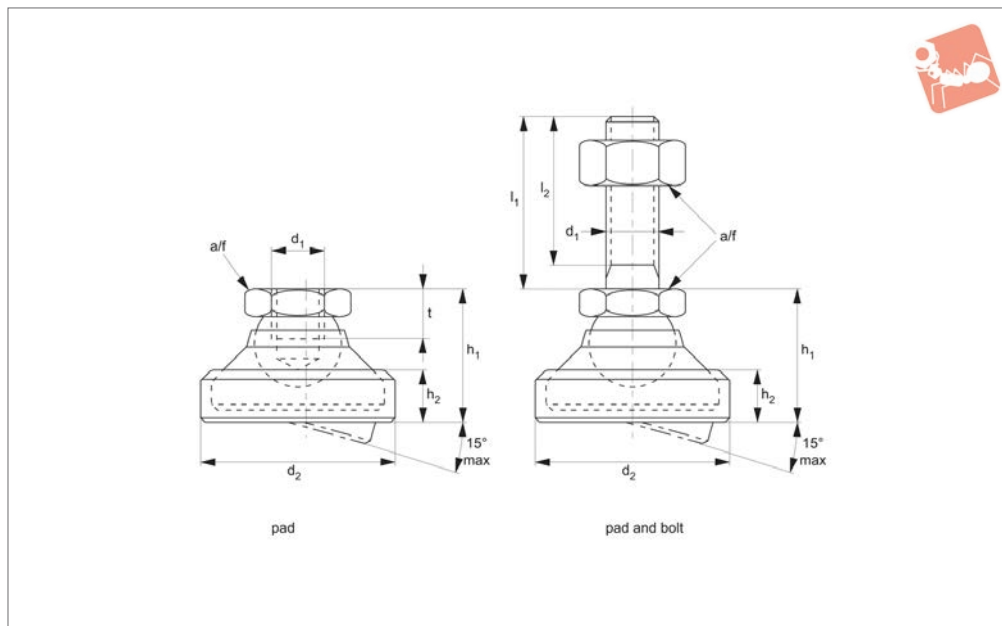
Order No.	d <sub>1</sub>	l <sub>1</sub>	d <sub>2</sub>	d <sub>3</sub>	d <sub>4</sub>	h <sub>1</sub>	h <sub>2</sub>	h <sub>3</sub>	A/F	Load kN max.
34754.W1620	M16	175	123	12.5	87	228	53	40	20	45
34754.W1621	M16	200	123	12.5	87	253	53	40	20	45
34754.W1622	M16	225	123	12.5	87	278	53	40	20	45
34754.W2000	M20	75	83	8.5	56	118	43	34	17	20
34754.W2001	M20	100	83	8.5	56	143	43	34	17	20
34754.W2002	M20	125	83	8.5	56	168	43	34	17	20
34754.W2003	M20	150	83	8.5	56	193	43	34	17	20
34754.W2004	M20	175	83	8.5	56	218	43	34	17	20
34754.W2005	M20	200	83	8.5	56	243	43	34	17	20
34754.W2006	M20	225	83	8.5	56	268	43	34	17	20
34754.W2007	M20	75	103	12.5	73	123	48	36	17	35
34754.W2008	M20	100	103	12.5	73	148	48	36	17	35
34754.W2009	M20	125	103	12.5	73	173	48	36	17	35
34754.W2010	M20	150	103	12.5	73	198	48	36	17	35
34754.W2011	M20	175	103	12.5	73	223	48	36	17	35
34754.W2012	M20	200	103	12.5	73	248	48	36	17	35
34754.W2013	M20	225	103	12.5	73	273	48	36	17	35
34754.W2014	M20	75	123	12.5	87	128	53	40	20	45
34754.W2015	M20	100	123	12.5	87	153	53	40	20	45
34754.W2016	M20	125	123	12.5	87	178	53	40	20	45
34754.W2017	M20	150	123	12.5	87	203	53	40	20	45
34754.W2018	M20	175	123	12.5	87	228	53	40	20	45
34754.W2019	M20	200	123	12.5	87	253	53	40	20	45
34754.W2020	M20	225	123	12.5	87	278	53	40	20	45
34754.W2400	M24	75	103	12.5	73	125	50	36	20	35
34754.W2401	M24	100	103	12.5	73	150	50	36	20	35
34754.W2402	M24	125	103	12.5	73	175	50	36	20	35
34754.W2403	M24	150	103	12.5	73	200	50	36	20	35
34754.W2404	M24	175	103	12.5	73	225	50	36	20	35
34754.W2405	M24	200	103	12.5	73	250	50	36	20	35
34754.W2406	M24	225	103	12.5	73	275	50	36	20	35
34754.W2407	M24	75	123	12.5	87	128	53	40	20	45
34754.W2408	M24	100	123	12.5	87	153	53	40	20	45
34754.W2409	M24	125	123	12.5	87	178	53	40	20	45
34754.W2410	M24	150	123	12.5	87	203	53	40	20	45
34754.W2411	M24	175	123	12.5	87	228	53	40	20	45
34754.W2412	M24	200	123	12.5	87	253	53	40	20	45
34754.W2413	M24	225	123	12.5	87	278	53	40	20	45
34754.W2414	M24	250	123	12.5	87	303	53	40	20	45
34754.W3000	M30	100	123	12.5	87	153	53	40	26	45
34754.W3001	M30	125	123	12.5	87	178	53	40	26	45
34754.W3002	M30	150	123	12.5	87	203	53	40	26	45
34754.W3003	M30	175	123	12.5	87	228	53	40	26	45
34754.W3004	M30	200	123	12.5	87	253	53	40	26	45
34754.W3005	M30	225	123	12.5	87	278	53	40	26	45
34754.W3006	M30	250	123	12.5	87	303	53	40	26	45



# Levelling Feet - Non Slip

pad thermoplastic, bolt stainless steel

# Levelling Feet



## 34761

LEVELLING FEET

### Material

Pad: white thermoplastic (POM).  
 Bolt: stainless steel 1.4305 (AISI 303).  
 Lock nut: Stainless steel A2, DIN 934/ISO 4032.(M10, M12 only).

Cap: Black Rubber

### Tips

To be used as feet and thrust pads. Used for levelling up to 15° on surface.

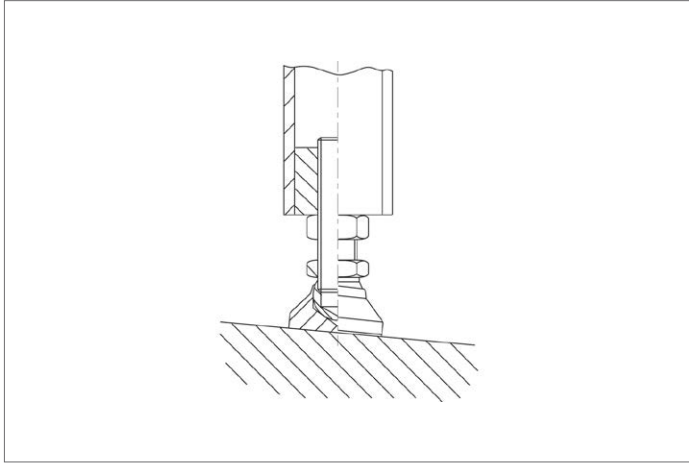
Also used:

34701 - Levelling Feet  
 34700 - Levelling Feet - steel/stainless, non slip.

Order No.	Type	d <sub>1</sub>	l <sub>1</sub>	d <sub>2</sub>	l <sub>2</sub>	h <sub>1</sub> ≈	h <sub>2</sub>	Static load kN max.	t	A/F	Weight g
<b>34761.W1106</b>	Pad	M 6	-	22.5	-	16.5	6.4	4	5.0	10	7
<b>34761.W1108</b>	Pad	M 8	-	28.0	-	20.6	8.3	7	7.0	13	16
<b>34761.W1110</b>	Pad	M10	-	36.0	-	26.0	11.0	10	9.0	17	32
<b>34761.W1112</b>	Pad	M12	-	45.0	-	30.5	13.2	18	11.0	19	51
<b>34761.W1116</b>	Pad	M16	-	56.0	-	37.5	15.5	20	13.5	24	96
<b>34761.W1120</b>	Pad	M20	-	67.0	-	49.5	19.5	22	17.0	30	190
<b>34761.W1124</b>	Pad	M24	-	69.0	-	55.0	24.0	25	19.0	36	240
<b>34761.W1510</b>	Pad and Bolt	M 6	60	22.5	57.0	16.5	6.4	4	-	10	21
<b>34761.W1522</b>	Pad and Bolt	M 8	80	28.0	76.0	20.6	8.3	7	-	13	49
<b>34761.W1538</b>	Pad and Bolt	M10	100	36.0	95.5	26.0	11.0	10	-	17	98
<b>34761.W1542</b>	Pad and Bolt	M10	150	36.0	145.5	26.0	11.0	10	-	17	124
<b>34761.W1552</b>	Pad and Bolt	M12	100	45.0	94.5	30.5	13.2	18	-	19	150
<b>34761.W1556</b>	Pad and Bolt	M12	150	45.0	144.5	30.5	13.2	18	-	19	184
<b>34761.W1568</b>	Pad and Bolt	M16	100	56.0	94.0	37.5	15.5	20	-	24	285
<b>34761.W1572</b>	Pad and Bolt	M16	200	56.0	194.0	37.5	15.5	20	-	24	414
<b>34761.W1582</b>	Pad and Bolt	M20	100	67.0	92.5	49.5	19.5	22	-	30	503
<b>34761.W1588</b>	Pad and Bolt	M20	200	67.0	192.5	49.5	19.5	22	-	30	704
<b>34761.W1595</b>	Pad and Bolt	M24	100	69.0	91.0	55.0	24.0	25	-	36	718
<b>34761.W1598</b>	Pad and Bolt	M24	200	69.0	191.0	55.0	24.0	25	-	36	1016



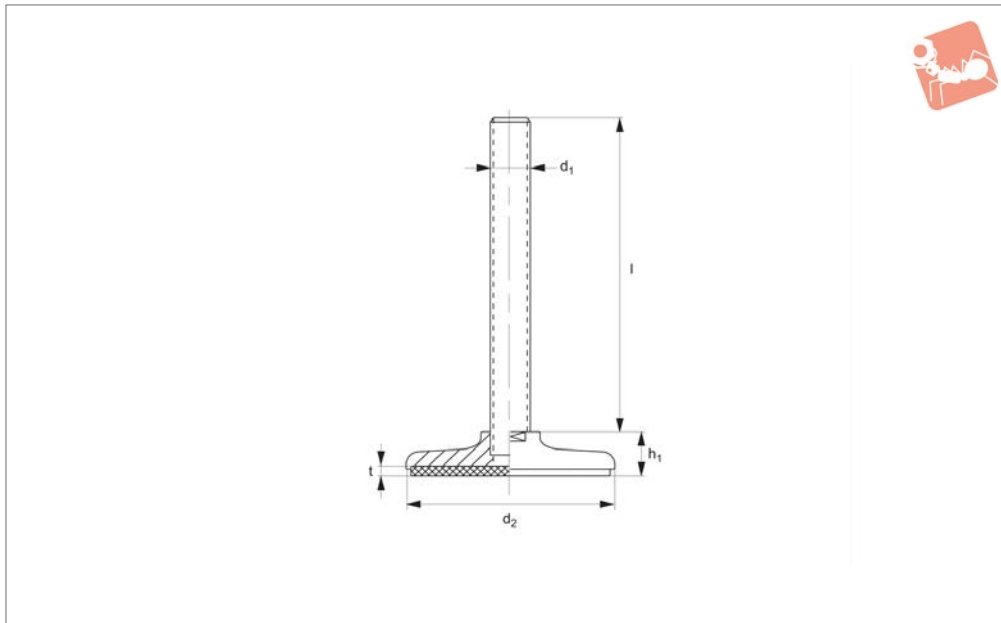
LEVELLING FEET





# Machine Feet - Low Profile pad and bolt stainless steel

## Levelling Feet



**34780**

LEVELLING FEET

### Material

Pad & bolt: AISI 304 stainless steel.  
Inset nitrile rubber pad.

### Technical Notes

Suitable for use in food & drink, pharmaceutical and clean room environments.

Order No.	d <sub>1</sub>	d <sub>2</sub>	l	h <sub>1</sub>	Static load kN max.	t
34780.W0082	M 8	40	40	12	4.5	3
34780.W0084	M 8	40	60	12	4.5	3
34780.W0100	M10	40	40	12	6.0	3
34780.W0102	M10	40	60	12	6.0	3
34780.W0104	M10	40	80	12	6.0	3
34780.W0086	M 8	50	40	14	4.5	3
34780.W0088	M 8	50	60	14	4.5	3
34780.W0106	M10	50	40	14	6.0	3
34780.W0108	M10	50	60	14	6.0	3
34780.W0110	M10	50	80	14	6.0	3
34780.W0120	M12	50	50	15	7.5	3
34780.W0121	M12	50	75	15	7.5	3
34780.W0123	M12	50	100	15	7.5	3
34780.W0125	M12	60	75	15	12.5	3
34780.W0126	M12	60	125	15	12.5	3
34780.W0127	M12	60	150	15	12.5	3
34780.W0128	M12	80	150	21	15.0	3
34780.W0161	M16	80	150	21	20.0	3
34780.W0162	M16	120	150	24	20.0	3
34780.W0201	M20	120	200	24	30.0	3
34780.W0202	M20	150	200	26	30.0	3
34780.W0241	M24	150	200	26	40.0	3