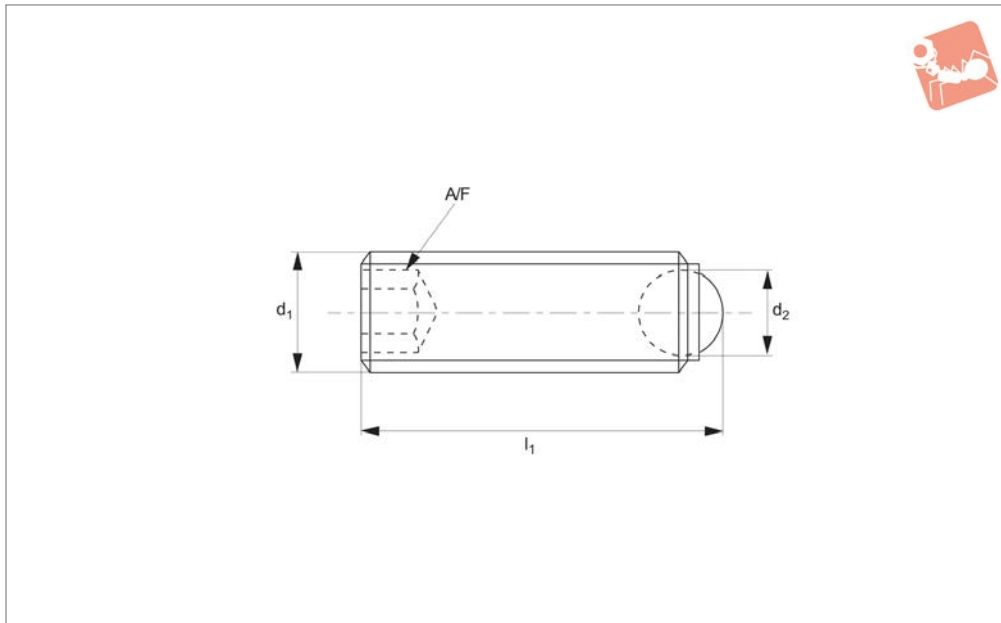




# Thrust Screws - Ball Ended

headless - round ball - metal

# Thrust Screws



## 34041

THRUST SCREWS

### Material

#### Steel type-

Body: steel, heat-treated, 1200 ±100 N/mm<sup>2</sup>.

Ball: ball bearing steel, hardened.

#### Stainless steel type-

Body: stainless steel (AISI 303, 1.4305).

Ball: stainless steel, hardened.

### Technical Notes

For clamping, tightening or supporting of surfaces that are not exactly parallel.

Max. temperature 250°C.

### Tips

Ball not secured against rotation. For other types see following pages.

### Important Notes

\*Max. static load relates to steel version only.

Order No.	Material	Ball type	d <sub>1</sub>	d <sub>2</sub>	l <sub>1</sub>	A/F	Static load kN max.	Weight g
34041.W0032	Steel	Round	M 3	1.5	5.0	1.5	2.5	0.2
34041.W0033	Steel	Round	M 3	1.5	7.5	1.5	2.5	0.2
34041.W0034	Steel	Round	M 3	1.5	10.0	1.5	2.5	0.3
34041.W0042	Steel	Round	M 4	2.5	6.0	2.0	3.5	0.5
34041.W0043	Steel	Round	M 4	2.5	8.0	2.0	3.5	0.6
34041.W0044	Steel	Round	M 4	2.5	10.0	2.0	3.5	0.8
34041.W0045	Steel	Round	M 4	2.5	12.0	2.0	3.5	0.7
34041.W0046	Steel	Round	M 4	2.5	16.0	2.0	3.5	1.2
34041.W0052	Steel	Round	M 5	3.0	8.0	2.5	4.5	0.8
34041.W0053	Steel	Round	M 5	3.0	10.0	2.5	4.5	1.1
34041.W0054	Steel	Round	M 5	3.0	12.0	2.5	4.5	1.3
34041.W0055	Steel	Round	M 5	3.0	16.0	2.5	4.5	1.5
34041.W0056	Steel	Round	M 5	3.0	20.0	2.5	4.5	2.2
34041.W0058	Steel	Round	M 5	3.0	25.0	2.5	4.5	2.8
34041.W0062	Steel	Round	M 6	4.0	10.8	3.0	9.0	1.5
34041.W0063	Steel	Round	M 6	4.0	12.8	3.8	9.0	1.9
34041.W0064	Steel	Round	M 6	4.0	16.8	3.0	9.0	2.5
34041.W0065	Steel	Round	M 6	4.0	20.8	3.0	9.0	3.3
34041.W0066	Steel	Round	M 6	4.0	25.8	3.0	9.0	4.0
34041.W0081	Steel	Round	M 8	5.5	11.2	4.0	15.0	2.6
34041.W0082	Steel	Round	M 8	5.5	13.2	4.0	15.0	3.0
34041.W0083	Steel	Round	M 8	5.5	17.2	4.0	15.0	4.2
34041.W0084	Steel	Round	M 8	5.5	21.2	4.0	15.0	5.4
34041.W0085	Steel	Round	M 8	5.5	26.2	4.0	15.0	6.9
34041.W0086	Steel	Round	M 8	5.5	31.2	4.0	15.0	8.4
34041.W0101	Steel	Round	M10	7.0	13.7	5.0	20.0	4.8
34041.W0102	Steel	Round	M10	7.0	17.7	5.0	20.0	6.2
34041.W0103	Steel	Round	M10	7.0	21.7	5.0	20.0	8.1
34041.W0104	Steel	Round	M10	7.0	26.7	5.0	20.0	11.0
34041.W0105	Steel	Round	M10	7.0	31.7	5.0	20.0	13.0



Order No.	Material	Ball type	d <sub>1</sub>	d <sub>2</sub>	l <sub>1</sub>	A/F	Static load kN max.	Weight g
34041.W0106	Steel	Round	M10	7.0	36.7	5.0	20.0	15.0
34041.W0108	Steel	Round	M10	7.0	41.7	5.0	20.0	15.0
34041.W0121	Steel	Round	M12	8.5	18.0	6.0	30.0	9.3
34041.W0122	Steel	Round	M12	8.5	22.0	6.0	30.0	11.0
34041.W0123	Steel	Round	M12	8.5	27.0	6.0	30.0	15.0
34041.W0124	Steel	Round	M12	8.5	32.0	6.0	30.0	18.0
34041.W0126	Steel	Round	M12	8.5	42.0	6.0	30.0	25.0
34041.W0128	Steel	Round	M12	8.5	52.0	6.0	30.0	32.5
34041.W0161	Steel	Round	M16	12.0	23.3	8.0	30.0	22.0
34041.W0162	Steel	Round	M16	12.0	28.3	8.0	60.0	27.0
34041.W0164	Steel	Round	M16	12.0	38.3	8.0	60.0	40.0
34041.W0166	Steel	Round	M16	12.0	53.3	8.0	60.0	62.0
34041.W0202	Steel	Round	M20	15.0	34.2	10.0	90.0	52.0
34041.W0204	Steel	Round	M20	15.0	42.2	10.0	90.0	72.0
34041.W0205	Steel	Round	M20	15.0	54.2	10.0	90.0	93.0
34041.W0206	Steel	Round	M20	15.0	64.2	10.0	90.0	115.0
34041.W0242	Steel	Round	M24	18.0	39.7	12.0	120.0	87.0
34041.W0244	Steel	Round	M24	18.0	54.7	12.0	120.0	129.0
34041.W0246	Steel	Round	M24	18.0	84.7	12.0	120.0	222.0
34041.W0747	Stainless	Round	M 3	1.5	5.0	1.5	-	0.2
34041.W0748	Stainless	Round	M 3	1.5	7.5	1.5	-	0.2
34041.W0749	Stainless	Round	M 3	1.5	10.0	1.5	-	0.3
34041.W0750	Stainless	Round	M 4	2.5	6.0	2.0	-	0.5
34041.W0752	Stainless	Round	M 4	2.5	8.0	2.0	-	0.6
34041.W0754	Stainless	Round	M 4	2.5	10.0	2.0	-	0.8
34041.W0756	Stainless	Round	M 4	2.5	12.0	2.0	-	0.7
34041.W0758	Stainless	Round	M 4	2.5	16.0	2.0	-	1.2
34041.W0760	Stainless	Round	M 5	3.0	8.0	2.5	-	0.8
34041.W0761	Stainless	Round	M 5	3.0	10.0	2.5	-	1.1
34041.W0762	Stainless	Round	M 5	3.0	12.0	2.5	-	1.3
34041.W0763	Stainless	Round	M 5	3.0	16.0	2.5	-	1.5
34041.W0764	Stainless	Round	M 5	3.0	20.0	2.5	-	2.2
34041.W0765	Stainless	Round	M 5	3.0	25.0	2.5	-	2.8
34041.W0770	Stainless	Round	M 6	4.0	10.8	3.0	-	1.5
34041.W0772	Stainless	Round	M 6	4.0	12.8	3.0	-	1.9
34041.W0774	Stainless	Round	M 6	4.0	16.8	3.0	-	2.5
34041.W0775	Stainless	Round	M 6	4.0	20.8	3.0	-	3.3
34041.W0776	Stainless	Round	M 6	4.0	25.8	3.0	-	4.0
34041.W0780	Stainless	Round	M 8	5.5	11.2	4.0	-	2.6
34041.W0782	Stainless	Round	M 8	5.5	13.2	4.0	-	3.0
34041.W0783	Stainless	Round	M 8	5.5	17.2	4.0	-	4.2
34041.W0784	Stainless	Round	M 8	5.5	21.2	4.0	-	5.4
34041.W0785	Stainless	Round	M 8	5.5	26.2	4.0	-	6.9
34041.W0786	Stainless	Round	M 8	5.5	31.2	4.0	-	8.4
34041.W0790	Stainless	Round	M10	7.0	13.7	5.0	-	4.8
34041.W0792	Stainless	Round	M10	7.0	17.7	5.0	-	6.2
34041.W0793	Stainless	Round	M10	7.0	21.7	5.0	-	8.1
34041.W0794	Stainless	Round	M10	7.0	26.7	5.0	-	11.0
34041.W0795	Stainless	Round	M10	7.0	31.7	5.0	-	13.0
34041.W0796	Stainless	Round	M10	7.0	36.7	5.0	-	15.0
34041.W0798	Stainless	Round	M10	7.0	41.7	5.0	-	15.0
34041.W0800	Stainless	Round	M12	8.5	18.0	6.0	-	9.3
34041.W0802	Stainless	Round	M12	8.5	22.0	6.0	-	11.0
34041.W0803	Stainless	Round	M12	8.5	27.0	6.0	-	15.0
34041.W0804	Stainless	Round	M12	8.5	32.0	6.0	-	18.0
34041.W0806	Stainless	Round	M12	8.5	42.0	6.0	-	25.0
34041.W0808	Stainless	Round	M12	8.5	52.0	6.0	-	32.5
34041.W0810	Stainless	Round	M16	12.0	23.3	8.0	-	22.0
34041.W0812	Stainless	Round	M16	12.0	28.3	8.0	-	27.0
34041.W0814	Stainless	Round	M16	12.0	38.3	8.0	-	40.0
34041.W0816	Stainless	Round	M16	12.0	53.3	8.0	-	62.0



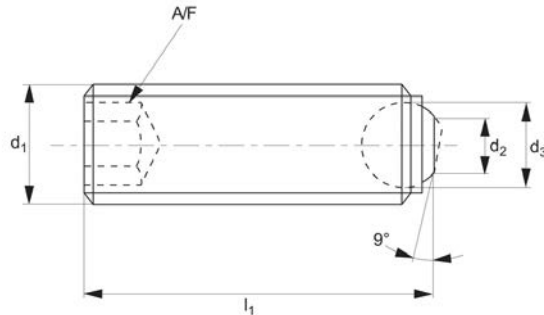
# Thrust Screws - Ball Ended

headless - flat-faced ball - metal

## Thrust Screws



**34043**



THRUST SCREWS

### Material

#### Steel type-

Body: steel, heat-treated, 1200 ±100 N/mm<sup>2</sup>.

Ball: ball bearing steel, hardened.

#### Stainless steel type-

Body: stainless steel (AISI 303, 1.4305).

Ball: stainless steel, hardened.

### Technical Notes

For clamping, tightening or supporting surfaces that are not exactly parallel.

Max. temperature 250°C.

### Tips

Ball not secured against rotation. It is

possible for the flat-faced ball to flip and expose the spherical face of the ball. For other types see following pages.

### Important Notes

\*Max. static load relates to steel version only.

Order No.	Material	Ball type	d <sub>1</sub>	d <sub>2</sub>	d <sub>3</sub>	l <sub>1</sub>	A/F	Static load kN max.	Weight g
34043.W0542	Steel	Flat, Plain	M 4	1.8	2.5	5.6	2	3.5	0.3
34043.W0543	Steel	Flat, Plain	M 4	1.8	2.5	7.6	2	3.5	0.6
34043.W0544	Steel	Flat, Plain	M 4	1.8	2.5	9.6	2	3.5	0.5
34043.W0545	Steel	Flat, Plain	M 4	1.8	2.5	11.6	2	3.5	0.9
34043.W0546	Steel	Flat, Plain	M 4	1.8	2.5	15.6	2	3.5	1.0
34043.W0552	Steel	Flat, Plain	M 5	2.2	3.0	7.5	3	4.5	0.6
34043.W0553	Steel	Flat, Plain	M 5	2.2	3.0	9.5	3	4.5	0.8
34043.W0554	Steel	Flat, Plain	M 5	2.2	3.0	11.5	3	4.5	1.1
34043.W0555	Steel	Flat, Plain	M 5	2.2	3.0	15.5	3	4.5	1.7
34043.W0556	Steel	Flat, Plain	M 5	2.2	3.0	19.5	3	4.5	2.2
34043.W0558	Steel	Flat, Plain	M 5	2.2	3.0	24.5	3	4.5	2.6
34043.W0562	Steel	Flat, Plain	M 6	3.2	4.0	10.0	3	9.0	1.5
34043.W0563	Steel	Flat, Plain	M 6	3.2	4.0	12.0	3	9.0	1.6
34043.W0564	Steel	Flat, Plain	M 6	3.2	4.0	16.0	3	9.0	2.5
34043.W0565	Steel	Flat, Plain	M 6	3.2	4.0	20.0	3	9.0	3.2
34043.W0566	Steel	Flat, Plain	M 6	3.2	4.0	25.0	3	9.0	3.8
34043.W0581	Steel	Flat, Plain	M 8	4.5	5.5	10.0	4	15.0	2.6
34043.W0582	Steel	Flat, Plain	M 8	4.5	5.5	12.0	4	15.0	2.9
34043.W0583	Steel	Flat, Plain	M 8	4.5	5.5	16.0	4	15.0	4.0
34043.W0584	Steel	Flat, Plain	M 8	4.5	5.5	20.0	4	15.0	5.3
34043.W0585	Steel	Flat, Plain	M 8	4.5	5.5	25.0	4	15.0	6.8
34043.W0586	Steel	Flat, Plain	M 8	4.5	5.5	30.0	4	15.0	8.4
34043.W0601	Steel	Flat, Plain	M10	6.0	7.0	12.0	5	20.0	4.7
34043.W0602	Steel	Flat, Plain	M10	6.0	7.0	16.0	5	20.0	6.1
34043.W0603	Steel	Flat, Plain	M10	6.0	7.0	20.0	5	20.0	7.9
34043.W0604	Steel	Flat, Plain	M10	6.0	7.0	25.0	5	20.0	10.0
34043.W0605	Steel	Flat, Plain	M10	6.0	7.0	30.0	5	20.0	13.0
34043.W0606	Steel	Flat, Plain	M10	6.0	7.0	35.0	5	20.0	15.0



Order No.	Material	Ball type	d <sub>1</sub>	d <sub>2</sub>	d <sub>3</sub>	l <sub>1</sub>	A/F	Static load kN max.	Weight g
34043.W0608	Steel	Flat, Plain	M10	6.0	7.0	40.0	5	20.0	18.0
34043.W0621	Steel	Flat, Plain	M12	7.2	8.5	16.0	6	30.0	9.1
34043.W0622	Steel	Flat, Plain	M12	7.2	8.5	20.0	6	30.0	11.0
34043.W0623	Steel	Flat, Plain	M12	7.2	8.5	25.0	6	30.0	14.0
34043.W0624	Steel	Flat, Plain	M12	7.2	8.5	30.0	6	30.0	18.0
34043.W0626	Steel	Flat, Plain	M12	7.2	8.5	40.0	6	30.0	25.0
34043.W0628	Steel	Flat, Plain	M12	7.2	8.5	50.0	6	30.0	32.0
34043.W0661	Steel	Flat, Plain	M16	10.7	12.0	20.0	8	60.0	21.0
34043.W0662	Steel	Flat, Plain	M16	10.7	12.0	25.0	8	60.0	26.0
34043.W0664	Steel	Flat, Plain	M16	10.7	12.0	35.0	8	60.0	39.0
34043.W0666	Steel	Flat, Plain	M16	10.7	12.0	50.0	8	60.0	60.0
34043.W0702	Steel	Flat, Plain	M20	13.5	15.0	30.0	10	90.0	49.0
34043.W0704	Steel	Flat, Plain	M20	13.5	15.0	40.0	10	90.0	70.0
34043.W0705	Steel	Flat, Plain	M20	13.5	15.0	50.0	10	90.0	90.0
34043.W0706	Steel	Flat, Plain	M20	13.5	15.0	60.0	10	90.0	111.0
34043.W0742	Steel	Flat, Plain	M24	15.8	18.0	35.0	12	120.0	86.0
34043.W0744	Steel	Flat, Plain	M24	15.8	18.0	50.0	12	120.0	128.0
34043.W0746	Steel	Flat, Plain	M24	15.8	18.0	80.0	12	120.0	219.0
34043.W0827	Stainless	Flat, Plain	M 4	1.8	2.5	5.6	2	-	0.5
34043.W0828	Stainless	Flat, Plain	M 4	1.8	2.5	7.6	2	-	0.6
34043.W0829	Stainless	Flat, Plain	M 4	1.8	2.5	9.6	2	-	0.5
34043.W0830	Stainless	Flat, Plain	M 4	1.8	2.5	11.6	2	-	0.9
34043.W0832	Stainless	Flat, Plain	M 4	1.8	2.5	15.6	2	-	1.0
34043.W0833	Stainless	Flat, Plain	M 5	2.2	3.0	7.5	3	-	0.6
34043.W0834	Stainless	Flat, Plain	M 5	2.2	3.0	9.5	3	-	0.8
34043.W0835	Stainless	Flat, Plain	M 5	2.2	3.0	11.5	3	-	1.1
34043.W0836	Stainless	Flat, Plain	M 5	2.2	3.0	15.5	3	-	1.7
34043.W0837	Stainless	Flat, Plain	M 5	2.2	3.0	19.5	3	-	2.2
34043.W0838	Stainless	Flat, Plain	M 5	2.2	3.0	24.5	3	-	2.6
34043.W0840	Stainless	Flat, Plain	M 6	3.2	4.0	10.0	3	-	1.5
34043.W0842	Stainless	Flat, Plain	M 6	3.2	4.0	12.0	3	-	1.6
34043.W0844	Stainless	Flat, Plain	M 6	3.2	4.0	16.0	3	-	2.5
34043.W0845	Stainless	Flat, Plain	M 6	3.2	4.0	20.0	3	-	3.2
34043.W0846	Stainless	Flat, Plain	M 6	3.2	4.0	25.0	3	-	3.8
34043.W0850	Stainless	Flat, Plain	M 8	4.5	5.5	10.0	4	-	2.6
34043.W0852	Stainless	Flat, Plain	M 8	4.5	5.5	12.0	4	-	2.9
34043.W0853	Stainless	Flat, Plain	M 8	4.5	5.5	16.0	4	-	4.0
34043.W0854	Stainless	Flat, Plain	M 8	4.5	5.5	20.0	4	-	5.3
34043.W0855	Stainless	Flat, Plain	M 8	4.5	5.5	25.0	4	-	6.8
34043.W0856	Stainless	Flat, Plain	M 8	4.5	5.5	30.0	4	-	8.4
34043.W0860	Stainless	Flat, Plain	M10	6.0	7.0	12.0	5	-	4.7
34043.W0862	Stainless	Flat, Plain	M10	6.0	7.0	16.0	5	-	6.1
34043.W0863	Stainless	Flat, Plain	M10	6.0	7.0	20.0	5	-	7.9
34043.W0864	Stainless	Flat, Plain	M10	6.0	7.0	25.0	5	-	10.0
34043.W0865	Stainless	Flat, Plain	M10	6.0	7.0	30.0	5	-	13.0
34043.W0866	Stainless	Flat, Plain	M10	6.0	7.0	35.0	5	-	15.0
34043.W0868	Stainless	Flat, Plain	M10	6.0	7.0	40.0	5	-	18.0
34043.W0870	Stainless	Flat, Plain	M12	7.2	8.5	16.0	6	-	9.1
34043.W0872	Stainless	Flat, Plain	M12	7.2	8.5	20.0	6	-	11.0
34043.W0873	Stainless	Flat, Plain	M12	7.2	8.5	25.0	6	-	14.0
34043.W0874	Stainless	Flat, Plain	M12	7.2	8.5	30.0	6	-	18.0
34043.W0876	Stainless	Flat, Plain	M12	7.2	8.5	40.0	6	-	25.0
34043.W0878	Stainless	Flat, Plain	M12	7.2	8.5	50.0	6	-	32.0
34043.W0880	Stainless	Flat, Plain	M16	10.7	12.0	20.0	8	-	21.0
34043.W0882	Stainless	Flat, Plain	M16	10.7	12.0	25.0	8	-	26.0
34043.W0884	Stainless	Flat, Plain	M16	10.7	12.0	35.0	8	-	39.0
34043.W0886	Stainless	Flat, Plain	M16	10.7	12.0	50.0	8	-	60.0

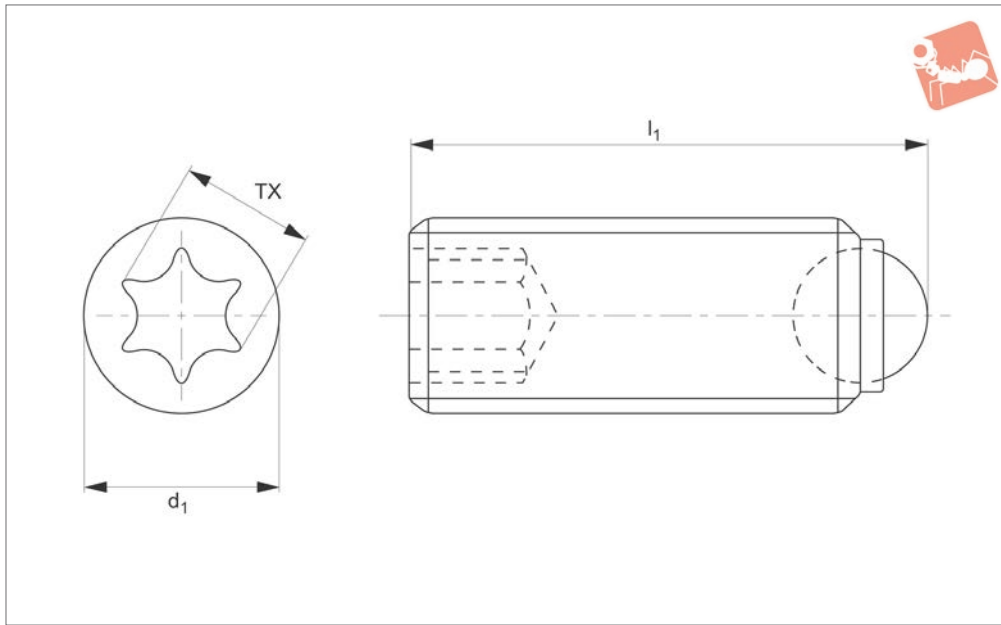


# Thrust Screws - Headless -Torx drive

ball ended - round - metal



## Thrust Screws



**34047**

THRUST SCREWS

### Material

#### Steel type-

Body: heat treated steel, 1200 +/-100 N/mm<sup>2</sup>.

Ball: ball bearing steel hardened.

#### Stainless steel type-

Body: stainless steel 1.4305 (AISI 303).

Ball: stainless steel, hardened.

### Technical Notes

For clamping, tightening or supporting of surfaces that are not exactly parallel.

**\* stated load capacity relate to steel version only.**

Torx drive for improved installation.

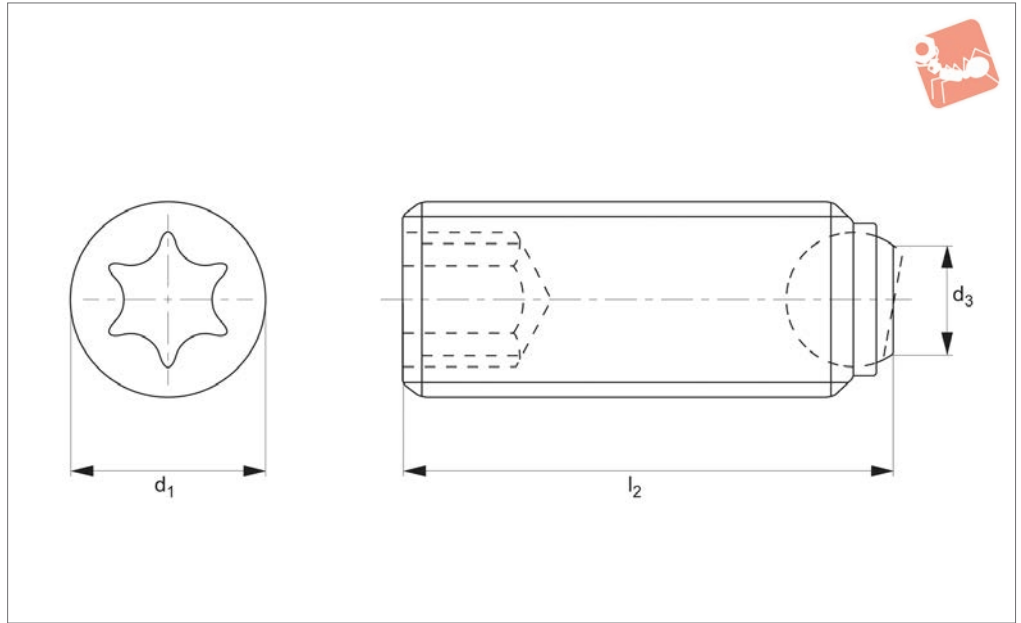
### Tips

**Ball not secured against rotation. For other types see following pages.**

Order No.	Ball type	Material type	d <sub>1</sub>	l <sub>1</sub>	Ball dia.	TX drive	Static load kN max.	Weight g
<b>34047.W1042</b>	Round	Steel 12,9	M4	6.0	2.5	8	3.5	0.5
<b>34047.W2042</b>	Round	Stainless	M4	6.0	2.5	8	3.5	0.5
<b>34047.W1044</b>	Round	Steel 12,9	M4	10.0	2.5	8	3.5	0.6
<b>34047.W2044</b>	Round	Stainless	M4	10.0	2.5	8	3.5	0.6
<b>34047.W1052</b>	Round	Steel 12,9	M5	8.0	3.0	10	4.5	0.8
<b>34047.W2052</b>	Round	Stainless	M5	8.0	3.0	10	4.5	0.8
<b>34047.W1054</b>	Round	Steel 12,9	M5	12.0	3.0	10	4.5	1.3
<b>34047.W2054</b>	Round	Stainless	M5	12.0	3.0	10	4.5	1.3
<b>34047.W1062</b>	Round	Steel 12,9	M6	10.8	4.0	15	9.0	1.5
<b>34047.W2062</b>	Round	Stainless	M6	10.8	4.0	15	9.0	1.5
<b>34047.W1064</b>	Round	Steel 12,9	M6	16.8	4.0	15	9.0	1.9
<b>34047.W2064</b>	Round	Stainless	M6	16.8	4.0	15	9.0	1.9



## 34048



THRUST SCREWS

### Material

#### Steel type-

Body: heat treated steel, 1200 +/-100 N/mm<sup>2</sup>.

Ball: ball bearing steel hardened.

#### Stainless steel type-

Body: stainless steel 1.4305 (AISI 303).

Ball: stainless steel, hardened.

### Technical Notes

For clamping, tightening or supporting of surfaces that are not exactly parallel.

**\* stated load capacity relate to steel version only.**

Torx drive for improved installation.

### Tips

**Ball not secured against rotation. For other types see following pages.**

Order No.	Material	Ball type	d <sub>1</sub>	l <sub>1</sub>	Ball dia.	A/F	Static load kN max.	Weight g
34048.W1542	Steel	Flat, plain	M4	0.5	1.8	8	3.5	5.6
34048.W1544	Steel	Flat, plain	M4	0.5	1.8	8	3.5	9.6
34048.W1552	Steel	Flat, plain	M5	0.6	2.2	10	4.5	7.5
34048.W1554	Steel	Flat, plain	M5	1.1	2.2	10	4.5	11.5
34048.W1562	Steel	Flat, plain	M6	1.5	3.2	15	9.0	10.0
34048.W1564	Steel	Flat, plain	M6	2.5	3.2	15	9.0	16.0
34048.W2542	Stainless	Flat, plain	M4	0.5	1.8	8	3.5	5.6
34048.W2544	Stainless	Flat, plain	M4	0.5	1.8	8	3.5	9.6
34048.W2552	Stainless	Flat, plain	M5	0.6	2.2	10	4.5	7.5
34048.W2554	Stainless	Flat, plain	M5	1.1	2.2	10	4.5	11.5
34048.W2562	Stainless	Flat, plain	M6	1.5	3.2	15	9.0	10.0
34048.W2564	Stainless	Flat, plain	M6	2.5	3.2	15	9.0	16.0

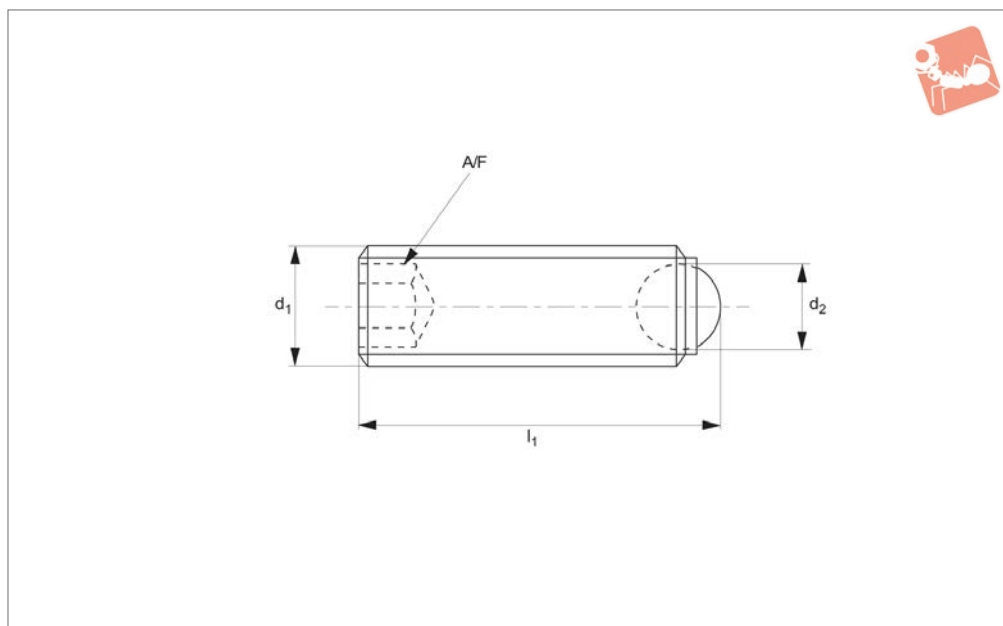


# Thrust Screws - Ball Ended

headless - fine thread - round ball - metal



## Thrust Screws



### 34051

THRUST SCREWS

#### Material

##### Steel type-

Body: steel, heat-treated, 1200 ±100 N/mm<sup>2</sup>.

Ball: ball bearing steel, hardened.

##### Stainless steel type-

Body: stainless steel (AISI 303, 1.4305).

Ball: stainless steel, hardened.

#### Technical Notes

For clamping, tightening or supporting surfaces that are not exactly parallel.

These ball ended thrust screws have a fine thread, for precise adjustment.

#### Tips

Ball not secured against rotation. For other types see following pages.

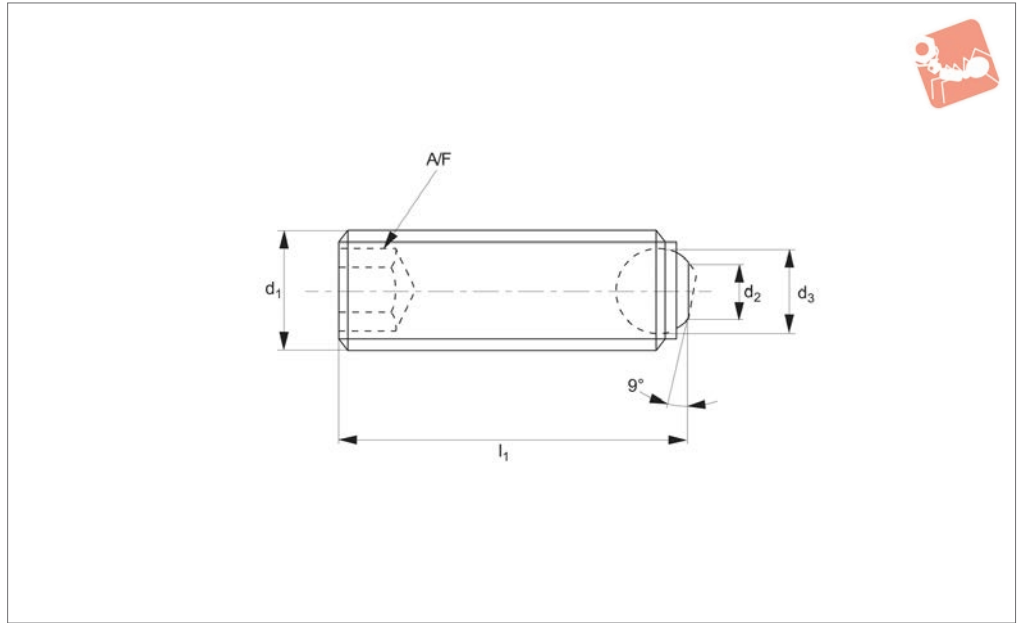
#### Important Notes

\*Max. static load relates to steel version only.

Order No.	Material	Ball type	d <sub>1</sub>	d <sub>2</sub>	l <sub>1</sub>	A/F	Static load kN max.	Weight g
34051.W0030	Steel	Round	M 4x0,35	2.5	6.0	2	3.5	0.4
34051.W0032	Steel	Round	M 4x0,35	2.5	10.0	2	3.5	0.8
34051.W0040	Steel	Round	M 4x0,5	2.5	6.0	2	3.5	0.4
34051.W0042	Steel	Round	M 4x0,5	2.5	6.0	2	3.5	0.4
34051.W0052	Steel	Round	M 5x0,5	3.0	8.0	3	4.5	0.7
34051.W0054	Steel	Round	M 5x0,5	3.0	12.0	3	4.5	1.2
34051.W0062	Steel	Round	M 6x0,5	4.0	10.8	3	9.0	1.3
34051.W0063	Steel	Round	M 6x0,5	4.0	12.8	3	9.0	1.8
34051.W0064	Steel	Round	M 6x0,5	4.0	16.8	3	9.0	2.4
34051.W0065	Steel	Round	M 6x0,5	4.0	20.8	3	9.0	3.0
34051.W0066	Steel	Round	M 6x0,5	4.0	25.8	3	9.0	3.0
34051.W0081	Steel	Round	M 8x1,0	5.5	11.2	4	15.0	2.6
34051.W0084	Steel	Round	M 8x1,0	5.5	21.2	4	15.0	5.4
34051.W0730	Stainless	Round	M 4x0,35	2.5	6.0	2	-	0.4
34051.W0732	Stainless	Round	M 4x0,35	2.5	10.0	2	-	0.8
34051.W0740	Stainless	Round	M 4x0,5	2.5	6.0	2	-	0.4
34051.W0742	Stainless	Round	M 4x0,5	2.5	10.0	2	-	0.8
34051.W0760	Stainless	Round	M 5x0,5	3.0	8.0	3	-	0.7
34051.W0762	Stainless	Round	M 5x0,5	3.0	12.0	3	-	1.2
34051.W0770	Stainless	Round	M 6x0,5	4.0	10.8	3	-	1.3
34051.W0772	Stainless	Round	M 6x0,5	4.0	12.8	3	-	1.8
34051.W0774	Stainless	Round	M 6x0,5	4.0	16.8	3	-	2.4
34051.W0775	Stainless	Round	M 6x0,5	4.0	20.8	3	-	3.0
34051.W0776	Stainless	Round	M 6x0,5	4.0	25.8	3	-	3.0
34051.W0780	Stainless	Round	M 8x1,0	5.5	11.2	4	-	2.6
34051.W0784	Stainless	Round	M 8x1,0	5.5	21.2	4	-	5.4



**34053**



THRUST SCREWS

**Material**

**Steel type-**

Body: steel, heat-treated, 1200 ±100 N/mm<sup>2</sup>.

Ball: ball bearing steel, hardened.

**Stainless steel type-**

Body: stainless steel (AISI 303, 1.4305).

Ball: stainless steel, hardened.

**Technical Notes**

For clamping, tightening or supporting surfaces that are not exactly parallel.

These ball ended thrust screws have a fine thread, for precise adjustment.

**Tips**

Ball not secured against rotation. It is

possible for the flat faced ball to flip and expose the spherical face of the ball. For other types see following pages.

**Important Notes**

\*Max static load relates to steel version only.

Order No.	Material	Type	d <sub>1</sub>	d <sub>2</sub>	d <sub>3</sub>	l <sub>2</sub>	A/F	Static load kN max.	Weight g
34053.W0530	Steel	Flat, Plain	M 4x0,35	1.3	2.5	5.6	2	3.5	0.6
34053.W0532	Steel	Flat, Plain	M 4x0,35	1.3	2.5	9.6	2	3.5	0.8
34053.W0540	Steel	Flat, Plain	M 4x0,5	1.3	2.5	5.6	2	3.5	0.4
34053.W0542	Steel	Flat, Plain	M 4x0,5	1.3	2.5	9.6	2	3.5	0.8
34053.W0552	Steel	Flat, Plain	M 5x0,5	2.2	3.0	7.5	3	4.5	0.7
34053.W0554	Steel	Flat, Plain	M 5x0,5	2.2	3.0	11.5	3	4.5	1.2
34053.W0562	Steel	Flat, Plain	M 6x0,5	3.2	4.0	10.0	3	9.0	1.3
34053.W0563	Steel	Flat, Plain	M 6x0,5	3.2	4.0	12.0	3	9.0	1.8
34053.W0564	Steel	Flat, Plain	M 6x0,5	3.2	4.0	16.0	3	9.0	2.4
34053.W0565	Steel	Flat, Plain	M 6x0,5	3.2	4.0	20.0	3	9.0	3.0
34053.W0566	Steel	Flat, Plain	M 6x0,5	3.2	4.0	25.0	3	9.0	3.0
34053.W0581	Steel	Flat, Plain	M 8x1,0	4.5	5.5	10.0	4	15.0	2.6
34053.W0584	Steel	Flat, Plain	M 8x1,0	4.5	5.5	20.0	4	15.0	5.3
34053.W0830	Stainless	Flat, Plain	M 4x0,35	1.3	2.5	5.6	2	-	0.6
34053.W0832	Stainless	Flat, Plain	M 4x0,35	1.3	2.5	9.6	2	-	0.8
34053.W0838	Stainless	Flat, Plain	M 4x0,5	1.3	2.5	5.6	2	-	0.4
34053.W0839	Stainless	Flat, Plain	M 4x0,5	1.3	2.5	9.6	2	-	0.8
34053.W0833	Stainless	Flat, Plain	M 5x0,5	2.2	3.0	7.5	3	-	0.7
34053.W0835	Stainless	Flat, Plain	M 5x0,5	2.2	3.0	11.5	3	-	1.2
34053.W0840	Stainless	Flat, Plain	M 6x0,5	3.2	4.0	10.0	3	-	1.3
34053.W0842	Stainless	Flat, Plain	M 6x0,5	3.2	4.0	12.0	3	-	1.8
34053.W0844	Stainless	Flat, Plain	M 6x0,5	3.2	4.0	16.0	3	-	2.4
34053.W0845	Stainless	Flat, Plain	M 6x0,5	3.2	4.0	20.0	3	-	3.0
34053.W0846	Stainless	Flat, Plain	M 6x0,5	3.2	4.0	25.0	3	-	3.0
34053.W0850	Stainless	Flat, Plain	M 8x1,0	4.5	5.5	10.0	4	-	2.6
34053.W0854	Stainless	Flat, Plain	M 8x1,0	4.5	5.5	20.0	4	-	5.3





# Thrust Screws - Ball Ended

headless - fine thread - flat faced ball - metal



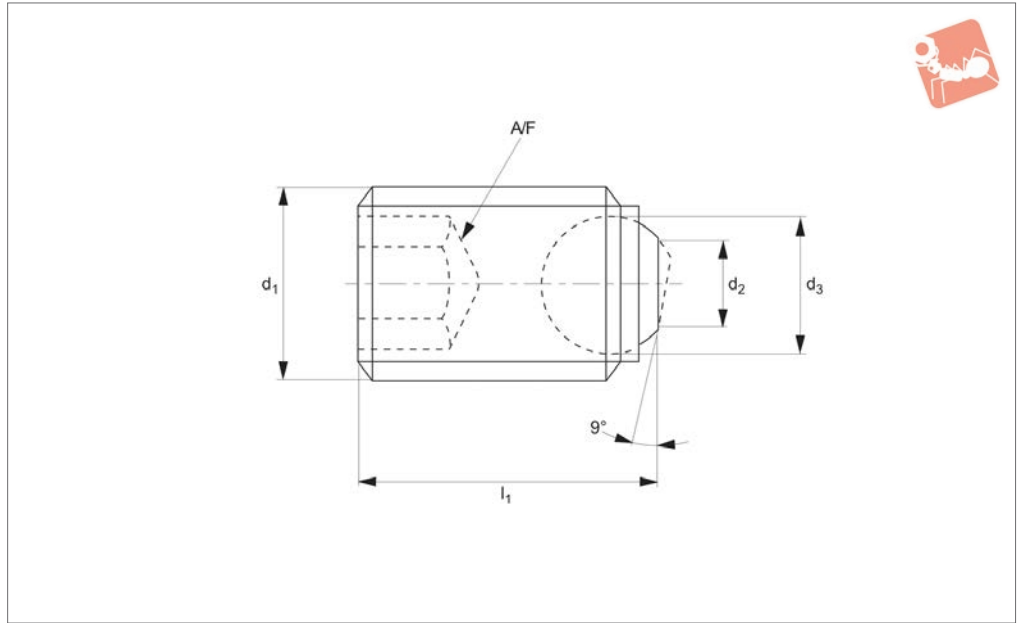
## Thrust Screws



THRUST SCREWS



**34060**



**Material**

Body: steel, heat-treated, 1200 ±100 N/mm<sup>2</sup>.

Ball: ball bearing steel, hardened.

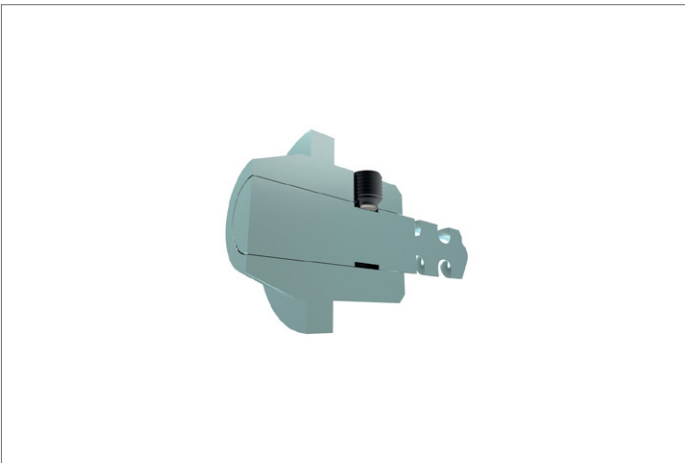
**Technical Notes**

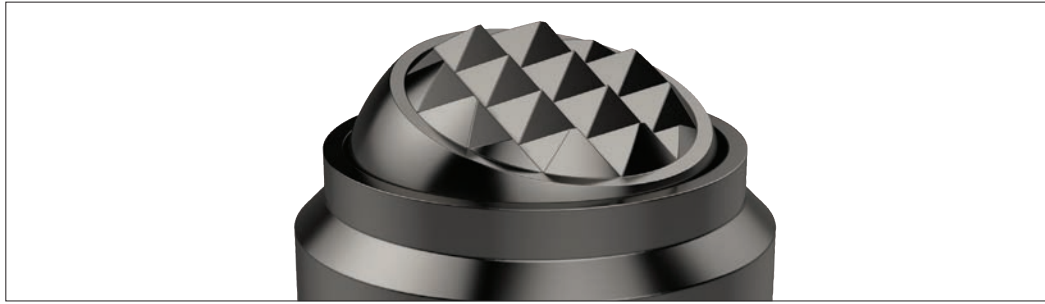
These short ball ended thrust screws are

particularly suited for use with parallel shanks DIN 1835E, in combination with either Whistle Notch or Weldon Tool Holding fixtures.

Maximised load transmission due to movable ball.

Order No.	Ball type	d <sub>1</sub>	d <sub>2</sub>	d <sub>3</sub>	l <sub>1</sub>	A/F	Static load kN max.	Weight g
34060.W0641	Flat, Plain	M14	7.2	8.5	16	6	30	13
34060.W0660	Flat, Plain	M16	7.2	8.5	16	8	30	16
34060.W0682	Flat, Plain	M18x2	10.7	12.0	20	10	60	25
34060.W0692	Flat, Plain	M20x2	10.7	12.0	20	10	60	32
34060.W0693	Flat, Plain	M20x2	10.7	12.0	25	10	60	42
34060.W0730	Flat, Plain	M24x2	13.5	15.0	25	12	90	59



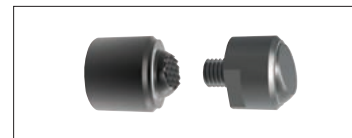
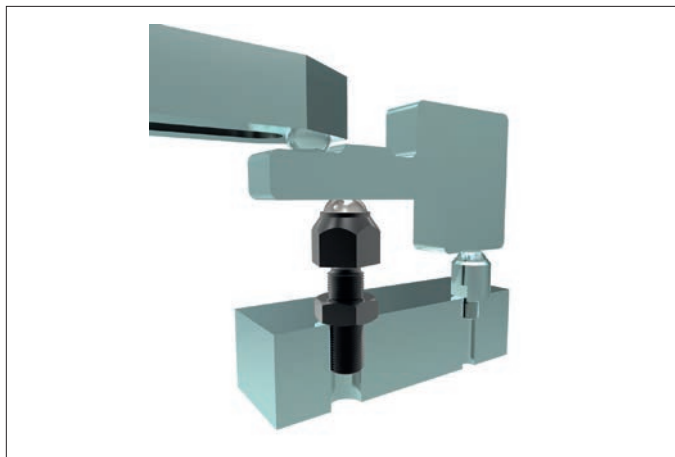


Clamping, supporting and aligning non-parallel and uneven surfaces is greatly simplified with the use of Wixroyd self-aligning pads and thrust screws. Available with ridged faces for improved holding of cast components, or plastic faces for holding more delicate parts.



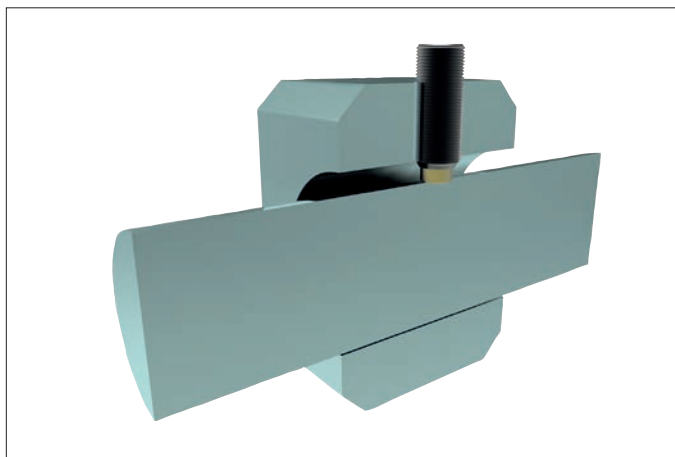
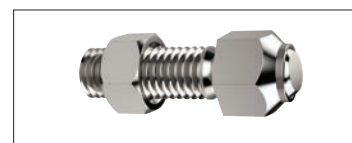
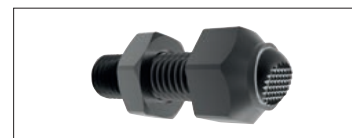
### Self-aligning Thrust Screws

**34000 to 34060** - Self-aligning thrust screws in sizes M6 to M24, ideal for clamping or supporting non-parallel surfaces.



### Self-aligning Pads

**34080 to 34121** - Self-aligning pads, both male and female mounting, ideal for accommodating variations between parts in fixtures.



### Thrust Screws

**34140 to 34160** - Thrust screws, with either brass or thermoplastic pads, are suitable for gentle clamping and positioning more delicate parts.

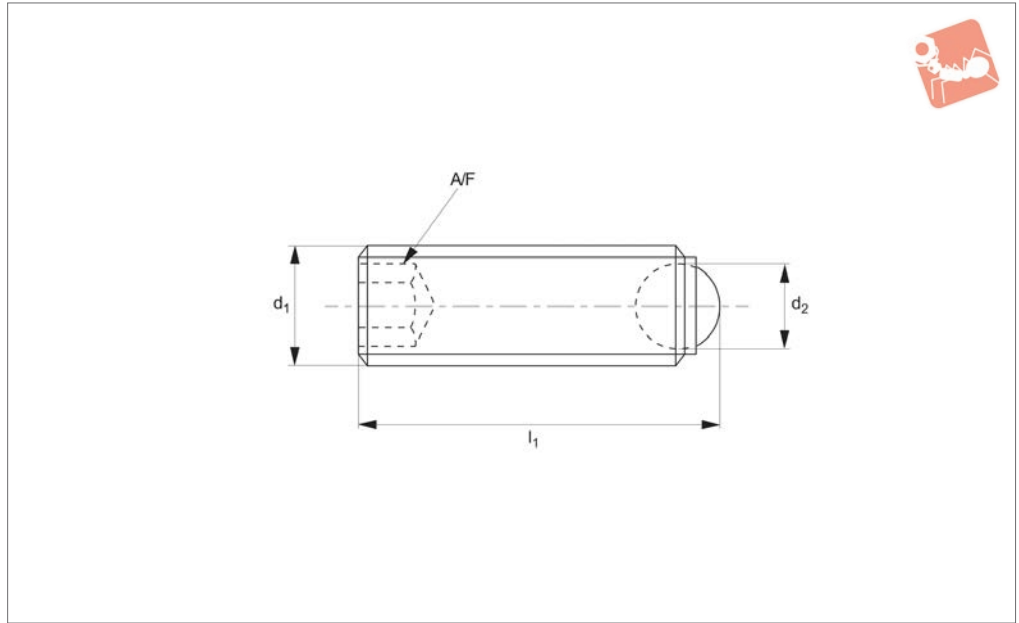


THRUST SCREWS

ov-W34000-A-T-W34160.2-AP0124-T-self-aligning-pads-and-thrust-screws-a-rmh - Updated - 28-10-2022



## 34042



THRUST SCREWS

### Material

#### Steel type-

Body: steel, heat-treated, 1200 ±100 N/mm<sup>2</sup>.

Ball: thermoplastic POM, white.

#### Stainless steel type-

Body: stainless steel (AISI 303, 1.4305).

Ball: thermoplastic POM, white.

### Technical Notes

Ball-ended thrust screws with thermoplastic balls are used for brittle, pressure sensitive parts. For clamping, tightening or supporting surfaces that are not exactly

parallel.

Max temperature -30°C to 80°C.

### Tips

Ball not secured against rotation. For other types see following pages.

Order No.	Material	Ball type	d <sub>1</sub>	d <sub>2</sub>	l <sub>1</sub>	A/F	Static load kN max.	Weight g
34042.W0252	Stainless	Round	M 4	2.5	6.0	2.0	0.3	0.2
34042.W0253	Stainless	Round	M 4	2.5	8.0	2.0	0.3	0.4
34042.W0254	Stainless	Round	M 4	2.5	10.0	2.0	0.3	0.7
34042.W0255	Stainless	Round	M 4	2.5	12.0	2.0	0.3	0.9
34042.W0256	Stainless	Round	M 4	2.5	16.0	2.0	0.3	1.1
34042.W0262	Stainless	Round	M 5	3.0	8.0	2.5	0.5	0.8
34042.W0263	Stainless	Round	M 5	3.0	10.0	2.5	0.5	0.8
34042.W0264	Stainless	Round	M 5	3.0	12.0	2.5	0.5	1.2
34042.W0265	Stainless	Round	M 5	3.0	16.0	2.5	0.5	1.4
34042.W0266	Stainless	Round	M 5	3.0	20.0	2.5	0.5	1.9
34042.W0267	Stainless	Round	M 5	3.0	25.0	2.5	0.5	2.5
34042.W0272	Stainless	Round	M 6	4.0	10.8	3.0	0.9	1.1
34042.W0273	Stainless	Round	M 6	4.0	12.8	3.0	0.9	1.4
34042.W0274	Stainless	Round	M 6	4.0	16.8	3.0	0.9	2.1
34042.W0275	Stainless	Round	M 6	4.0	20.8	3.0	0.9	2.8
34042.W0276	Stainless	Round	M 6	4.0	25.8	3.0	0.9	3.8
34042.W0281	Stainless	Round	M 8	5.5	11.2	4.0	1.5	1.9
34042.W0282	Stainless	Round	M 8	5.5	13.2	4.0	1.5	2.4
34042.W0283	Stainless	Round	M 8	5.5	17.2	4.0	1.5	3.6
34042.W0284	Stainless	Round	M 8	5.5	21.2	4.0	1.5	4.6
34042.W0285	Stainless	Round	M 8	5.5	26.2	4.0	1.5	6.3
34042.W0286	Stainless	Round	M 8	5.5	31.2	4.0	1.5	7.8
34042.W0291	Stainless	Round	M10	7.0	13.7	5.0	2.0	3.5
34042.W0292	Stainless	Round	M10	7.0	17.7	5.0	2.0	4.8
34042.W0293	Stainless	Round	M10	7.0	21.7	5.0	2.0	6.8
34042.W0294	Stainless	Round	M10	7.0	26.7	5.0	2.0	9.4
34042.W0295	Stainless	Round	M10	7.0	31.7	5.0	2.0	12.0
34042.W0296	Stainless	Round	M10	7.0	36.7	5.0	2.0	14.0
34042.W0297	Stainless	Round	M10	7.0	41.7	5.0	2.0	17.
34042.W0301	Stainless	Round	M12	8.5	18.0	6.0	3.0	6.8



# Thrust Screws - Ball Ended

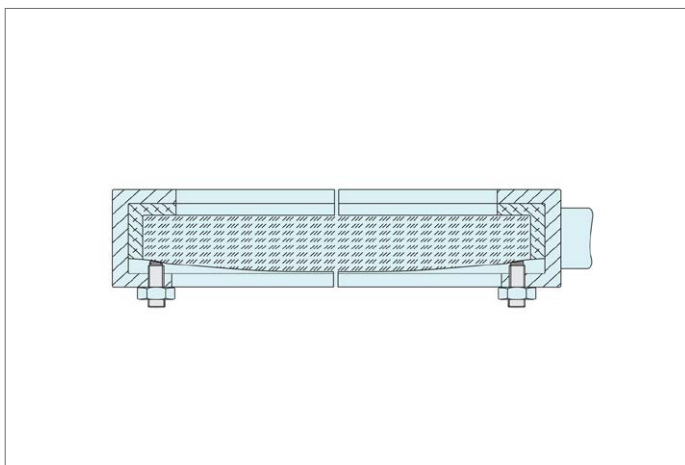
headless - round ball - thermoplastic



## Thrust Screws

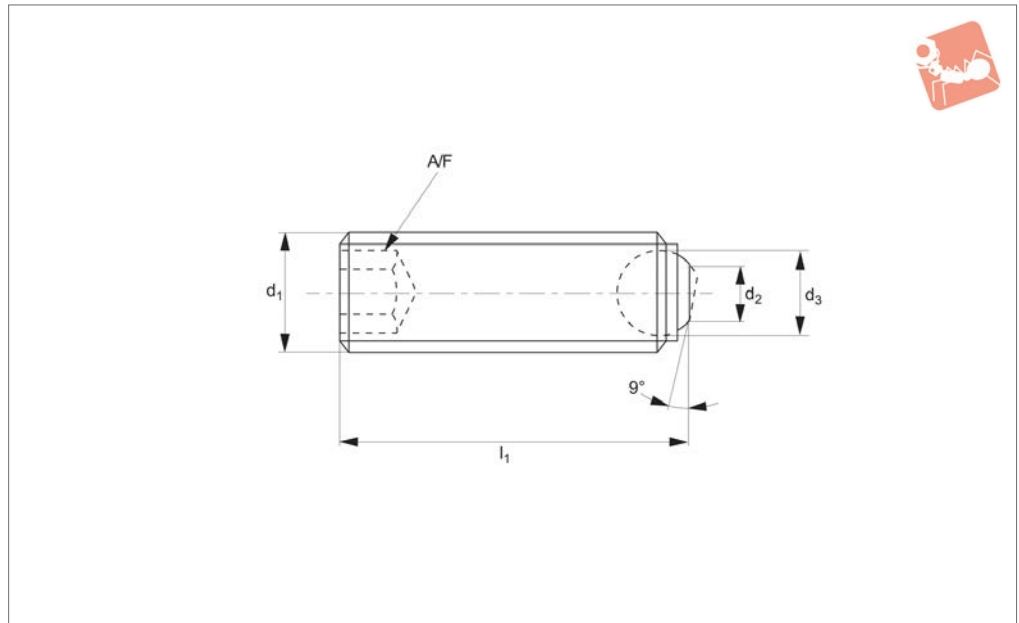
Order No.	Material	Ball type	d <sub>1</sub>	d <sub>2</sub>	l <sub>1</sub>	A/F	Static load kN max.	Weight g
34042.W0302	Stainless	Round	M12	8.5	22.0	6.0	3.0	9.2
34042.W0303	Stainless	Round	M12	8.5	27.0	6.0	3.0	12.0
34042.W0304	Stainless	Round	M12	8.5	32.0	6.0	3.0	16.0
34042.W0306	Stainless	Round	M12	8.5	42.0	6.0	3.0	23.0
34042.W0308	Stainless	Round	M12	8.5	52.0	6.0	3.0	30.0
34042.W0342	Steel	Round	M 4	2.5	6.0	2.0	0.3	0.2
34042.W0343	Steel	Round	M 4	2.5	8.0	2.0	0.3	0.4
34042.W0344	Steel	Round	M 4	2.5	10.0	2.0	0.3	0.7
34042.W0345	Steel	Round	M 4	2.5	12.0	2.0	0.3	0.9
34042.W0346	Steel	Round	M 4	2.5	16.0	2.0	0.3	1.1
34042.W0352	Steel	Round	M 5	3.0	8.0	2.5	0.5	0.8
34042.W0353	Steel	Round	M 5	3.0	10.0	2.5	0.5	0.8
34042.W0354	Steel	Round	M 5	3.0	12.0	2.5	0.5	1.2
34042.W0355	Steel	Round	M 5	3.0	16.0	2.5	0.5	1.4
34042.W0356	Steel	Round	M 5	3.0	20.0	2.5	0.5	1.9
34042.W0358	Steel	Round	M 5	3.0	25.0	2.5	0.5	2.5
34042.W0362	Steel	Round	M 6	4.0	10.8	3.0	0.9	1.1
34042.W0363	Steel	Round	M 6	4.0	12.8	3.0	0.9	1.4
34042.W0364	Steel	Round	M 6	4.0	16.8	3.0	0.9	2.1
34042.W0365	Steel	Round	M 6	4.0	20.8	3.0	0.9	2.7
34042.W0366	Steel	Round	M 6	4.0	25.8	3.0	0.9	3.8
34042.W0381	Steel	Round	M 8	5.5	11.2	4.0	1.5	1.9
34042.W0382	Steel	Round	M 8	5.5	13.2	4.0	1.5	2.4
34042.W0383	Steel	Round	M 8	5.5	17.2	4.0	1.5	3.6
34042.W0384	Steel	Round	M 8	5.5	21.2	4.0	1.5	4.6
34042.W0385	Steel	Round	M 8	5.5	26.2	4.0	1.5	6.3
34042.W0386	Steel	Round	M 8	5.5	31.2	4.0	1.5	7.8
34042.W0401	Steel	Round	M10	7.0	13.7	5.0	2.0	3.5
34042.W0402	Steel	Round	M10	7.0	17.7	5.0	2.0	4.8
34042.W0403	Steel	Round	M10	7.0	21.7	5.0	2.0	6.8
34042.W0404	Steel	Round	M10	7.0	26.7	5.0	2.0	9.4
34042.W0405	Steel	Round	M10	7.0	31.7	5.0	2.0	12.0
34042.W0406	Steel	Round	M10	7.0	36.7	5.0	2.0	14.0
34042.W0408	Steel	Round	M10	7.0	41.7	5.0	2.0	17.0
34042.W0421	Steel	Round	M12	8.5	18.0	6.0	3.0	6.8
34042.W0422	Steel	Round	M12	8.5	22.0	6.0	3.0	9.2
34042.W0423	Steel	Round	M12	8.5	27.0	6.0	3.0	12.0
34042.W0424	Steel	Round	M12	8.5	32.0	6.0	3.0	16.0
34042.W0426	Steel	Round	M12	8.5	42.0	6.0	3.0	23.0
34042.W0428	Steel	Round	M12	8.5	52.0	6.0	3.0	30.0

THRUST SCREWS





## 34044



### Material

Body: steel, heat-treated, 1200 ±100 N/mm<sup>2</sup>.

Ball: ball bearing steel, hardened.

### Technical Notes

For clamping, tightening or supporting of

surfaces that are not exactly parallel.  
Max. operating temperature 250°C.

### Tips

Ball not secured against rotation. It is possible for the flat faced ball to flip and expose the spherical face of the ball. For

other types see following pages.

Order No.	Ball type	d <sub>1</sub>	d <sub>2</sub>	d <sub>3</sub>	l <sub>1</sub>	A/F	Static load kN max.	Weight g
34044.W0891	Flat, Ribbed	M 8	4.5	5.5	10	4	15	3
34044.W0892	Flat, Ribbed	M 8	4.5	5.5	12	4	15	3
34044.W0893	Flat, Ribbed	M 8	4.5	5.5	16	4	15	4
34044.W0894	Flat, Ribbed	M 8	4.5	5.5	20	4	15	5
34044.W0895	Flat, Ribbed	M 8	4.5	5.5	25	4	15	7
34044.W0896	Flat, Ribbed	M 8	4.5	5.5	30	4	15	8
34044.W0901	Flat, Ribbed	M10	6.0	7.0	12	5	20	5
34044.W0902	Flat, Ribbed	M10	6.0	7.0	16	5	20	6
34044.W0903	Flat, Ribbed	M10	6.0	7.0	20	5	20	8
34044.W0904	Flat, Ribbed	M10	6.0	7.0	25	5	20	10
34044.W0905	Flat, Ribbed	M10	6.0	7.0	30	5	20	13
34044.W0906	Flat, Ribbed	M10	6.0	7.0	35	5	20	15
34044.W0908	Flat, Ribbed	M10	6.0	7.0	40	5	20	17
34044.W0921	Flat, Ribbed	M12	7.2	8.5	16	6	30	9
34044.W0922	Flat, Ribbed	M12	7.2	8.5	20	6	30	11
34044.W0923	Flat, Ribbed	M12	7.2	8.5	25	6	30	14
34044.W0924	Flat, Ribbed	M12	7.2	8.5	30	6	30	18
34044.W0926	Flat, Ribbed	M12	7.2	8.5	40	6	30	25
34044.W0928	Flat, Ribbed	M12	7.2	8.5	50	6	30	32
34044.W0961	Flat, Ribbed	M16	10.7	12	20	8	60	21
34044.W0962	Flat, Ribbed	M16	10.7	12	25	8	60	26
34044.W0964	Flat, Ribbed	M16	10.7	12	35	8	60	40
34044.W0966	Flat, Ribbed	M16	10.7	12	50	8	60	60
34044.W0972	Flat, Ribbed	M20	13.5	15	30	10	90	50
34044.W0974	Flat, Ribbed	M20	13.5	15	40	10	90	70
34044.W0975	Flat, Ribbed	M20	13.5	15	50	10	90	89
34044.W0976	Flat, Ribbed	M20	13.5	15	60	10	90	111
34044.W0982	Flat, Ribbed	M24	15.8	18	35	12	120	84
34044.W0984	Flat, Ribbed	M24	15.8	18	50	12	120	125
34044.W0986	Flat, Ribbed	M24	15.5	18	80	12	120	219

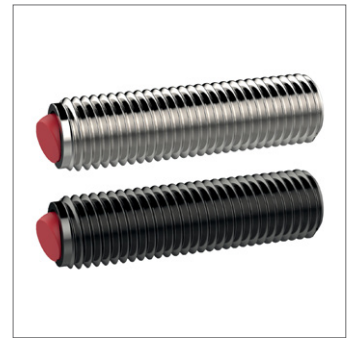
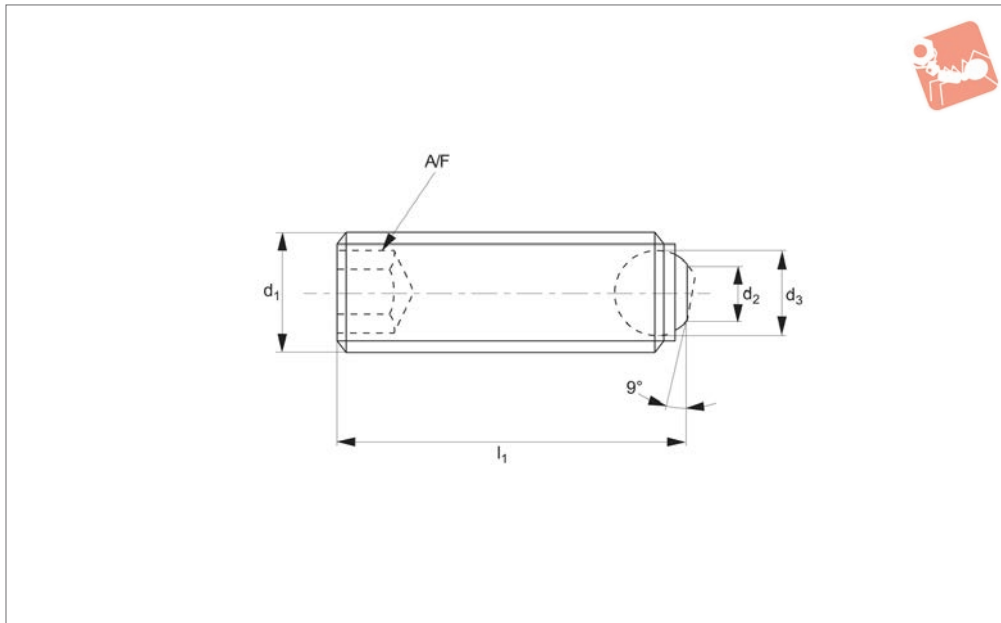


# Thrust Screws - Ball Ended

headless - flat faced ball - thermoplastic



## Thrust Screws



### 34045

THRUST SCREWS

#### Material

##### Steel type-

Body: steel, heat-treated, 1200 ±100 N/mm<sup>2</sup>.

Ball: thermoplastic, red (POM).

##### Stainless steel type-

Body: stainless steel (AISI 303, 1.4305).

Ball: thermoplastic, red (POM).

#### Technical Notes

Ball-ended thrust screws with thermoplastic balls are used for brittle, pressure sensitive parts. For clamping, tightening or supporting surfaces that are not exactly

parallel.

#### Tips

Ball not secured against rotation. It is possible for the flat faced ball to flip and expose the spherical pace of the ball.

Order No.	Material	Type	d <sub>1</sub>	d <sub>2</sub>	d <sub>3</sub>	l <sub>1</sub>	A/F	Static load kN max.	Weight g
34045.W0452	Steel	Flat, Plain	M 4	1.8	2.5	5.9	2	0.3	0.2
34045.W0453	Steel	Flat, Plain	M 4	1.8	2.5	7.9	2	0.3	0.4
34045.W0454	Steel	Flat, Plain	M 4	1.8	2.5	9.9	2	0.3	0.5
34045.W0455	Steel	Flat, Plain	M 4	1.8	2.5	11.9	2	0.3	0.9
34045.W0456	Steel	Flat, Plain	M 4	1.8	2.5	15.9	2	0.3	0.9
34045.W0462	Steel	Flat, Plain	M 5	2.1	3.0	7.8	3	0.5	0.8
34045.W0463	Steel	Flat, Plain	M 5	2.1	3.0	9.8	3	0.5	0.7
34045.W0464	Steel	Flat, Plain	M 5	2.1	3.0	11.8	3	0.5	1.2
34045.W0465	Steel	Flat, Plain	M 5	2.1	3.0	15.8	3	0.5	1.4
34045.W0466	Steel	Flat, Plain	M 5	2.1	3.0	19.8	3	0.5	2.0
34045.W0467	Steel	Flat, Plain	M 5	2.1	3.0	24.8	3	0.5	2.7
34045.W0472	Steel	Flat, Plain	M 6	3.0	4.0	10.3	3	0.9	1.1
34045.W0473	Steel	Flat, Plain	M 6	3.0	4.0	12.3	3	0.9	1.7
34045.W0474	Steel	Flat, Plain	M 6	3.0	4.0	16.3	3	0.9	2.1
34045.W0475	Steel	Flat, Plain	M 6	3.0	4.0	20.3	3	0.9	2.8
34045.W0476	Steel	Flat, Plain	M 6	3.0	4.0	25.3	3	0.9	3.6
34045.W0482	Steel	Flat, Plain	M 8	4.2	5.5	10.4	4	1.5	1.8
34045.W0483	Steel	Flat, Plain	M 8	4.2	5.5	12.4	4	1.5	2.2
34045.W0484	Steel	Flat, Plain	M 8	4.2	5.5	16.4	4	1.5	3.4
34045.W0485	Steel	Flat, Plain	M 8	4.2	5.5	20.4	4	1.5	4.8
34045.W0486	Steel	Flat, Plain	M 8	4.2	5.5	25.4	4	1.5	6.1
34045.W0487	Steel	Flat, Plain	M 8	4.2	5.5	30.4	4	1.5	7.6
34045.W0492	Stainless	Flat, Plain	M 4	1.8	2.5	5.9	2	0.3	0.2
34045.W0493	Stainless	Flat, Plain	M 4	1.8	2.5	7.9	2	0.3	0.4
34045.W0494	Stainless	Flat, Plain	M 4	1.8	2.5	9.9	2	0.3	0.5
34045.W0495	Stainless	Flat, Plain	M 4	1.8	2.5	11.9	2	0.3	0.9
34045.W0496	Stainless	Flat, Plain	M 4	1.8	2.5	15.9	2	0.3	0.9
34045.W0502	Stainless	Flat, Plain	M 5	2.1	3.0	7.8	3	0.5	0.8
34045.W0503	Stainless	Flat, Plain	M 5	2.1	3.0	9.8	3	0.5	0.7
34045.W0504	Stainless	Flat, Plain	M 5	2.1	3.0	11.8	3	0.5	1.2



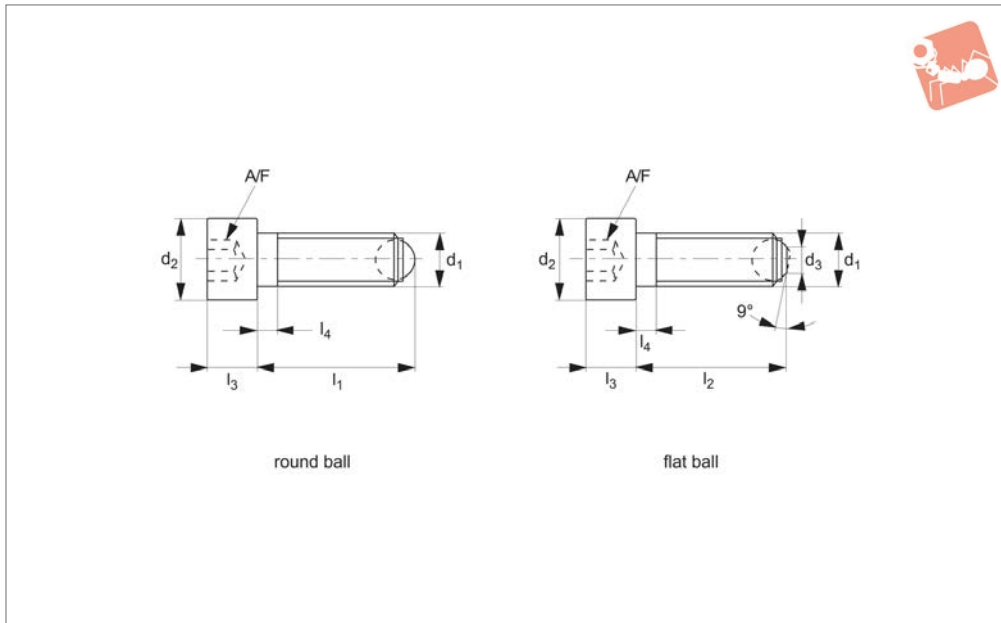
Order No.	Material	Type	d <sub>1</sub>	d <sub>2</sub>	d <sub>3</sub>	l <sub>1</sub>	A/F	Static load kN max.	Weight g
<b>34045.W0505</b>	Stainless	Flat, Plain	M 5	2.1	3.0	15.8	3	0.5	1.4
<b>34045.W0506</b>	Stainless	Flat, Plain	M 5	2.1	3.0	19.8	3	0.5	2.0
<b>34045.W0507</b>	Stainless	Flat, Plain	M 5	2.1	3.0	24.8	3	0.5	2.7
<b>34045.W0512</b>	Stainless	Flat, Plain	M 6	3.0	4.0	10.3	3	0.9	1.1
<b>34045.W0513</b>	Stainless	Flat, Plain	M 6	3.0	4.0	12.3	3	0.9	1.7
<b>34045.W0514</b>	Stainless	Flat, Plain	M 6	3.0	4.0	16.3	3	0.9	2.1
<b>34045.W0515</b>	Stainless	Flat, Plain	M 6	3.0	4.0	20.3	3	0.9	2.8
<b>34045.W0516</b>	Stainless	Flat, Plain	M 6	3.0	4.0	25.3	3	0.9	3.6
<b>34045.W0522</b>	Stainless	Flat, Plain	M 8	4.2	5.5	10.4	4	1.5	1.8
<b>34045.W0523</b>	Stainless	Flat, Plain	M 8	4.2	5.5	12.4	4	1.5	2.2
<b>34045.W0524</b>	Stainless	Flat, Plain	M 8	4.2	5.5	16.4	4	1.5	3.4
<b>34045.W0525</b>	Stainless	Flat, Plain	M 8	4.2	5.5	20.4	4	1.5	4.8
<b>34045.W0526</b>	Stainless	Flat, Plain	M 8	4.2	5.5	25.4	4	1.5	6.1
<b>34045.W0527</b>	Stainless	Flat, Plain	M 8	4.2	5.5	30.4	4	1.5	7.6





# Thrust Screws - Headed ball ended - metal

## Thrust Screws



### 34020

THRUST SCREWS

#### Material

##### Steel type-

Body: heat treated steel, 1200 +/-100 N/mm<sup>2</sup>.

Ball: ball bearing steel, hardened.

##### Stainless steel type-

Body: stainless steel 1.4305 (AISI 303).

Ball: stainless steel, hardened.

#### Technical Notes

For thrust screws secured against turning - see no. 34000/X34000#26 or 34002. For clamping, tightening or supporting surfaces that are not exactly parallel.

\* stated load capacity relate to steel version only.

#### Tips

**Ball not secured against rotation, it is possible for the flat faced ball to flip and expose the spherical face of the ball.**

Order No.	Material	Ball face type	d <sub>1</sub>	l <sub>1</sub>	l <sub>2</sub>	d <sub>2</sub>	d <sub>3</sub>	l <sub>3</sub>	l <sub>4</sub>	Ball dia.	A/F	Static load kN max.	Weight g
34020.W0062	Steel	Round	M_6	20.8	-	10	-	6	3.0	4.0	5	9	6.2
34020.W0064	Steel	Round	M_6	30.8	-	10	-	6	3.0	4.0	5	9	8.0
34020.W0066	Steel	Round	M_6	40.8	-	10	-	6	16.0	4.0	5	9	10.0
34020.W0082	Steel	Round	M_8	21.2	-	13	-	8	3.5	5.5	6	15	13.0
34020.W0084	Steel	Round	M_8	36.2	-	13	-	8	3.5	5.5	6	15	17.0
34020.W0086	Steel	Round	M_8	51.2	-	13	-	8	22.0	5.5	6	15	24.0
34020.W0102	Steel	Round	M10	26.7	-	16	-	10	4.5	7.0	8	20	24.0
34020.W0104	Steel	Round	M10	41.7	-	16	-	10	4.5	7.0	8	20	31.0
34020.W0106	Steel	Round	M10	61.7	-	16	-	10	28.0	7.0	8	20	44.0
34020.W0122	Steel	Round	M12	32.0	-	18	-	12	5.0	8.5	10	30	38.0
34020.W0124	Steel	Round	M12	52.0	-	18	-	12	5.0	8.5	10	30	52.0
34020.W0126	Steel	Round	M12	82.0	-	18	-	12	44.0	8.5	10	30	79.0
34020.W0162	Steel	Round	M16	43.3	-	24	-	16	6.0	12.0	14	60	94.0
34020.W0164	Steel	Round	M16	63.3	-	24	-	16	6.0	12.0	14	60	119.0
34020.W0166	Steel	Round	M16	83.3	-	24	-	16	36.0	12.0	14	60	156.0
34020.W0202	Steel	Round	M20	54.2	-	30	-	20	7.5	15.0	17	90	183.0
34020.W0204	Steel	Round	M20	84.2	-	30	-	20	28.0	15.0	17	90	254.0
34020.W0206	Steel	Round	M20	104.2	-	30	-	20	48.0	15.0	17	90	307.0
34020.W0242	Steel	Round	M24	64.7	-	36	-	24	9.0	18.0	19	120	331.0
34020.W0244	Steel	Round	M24	94.7	-	36	-	24	30.0	18.0	19	120	430.0
34020.W0246	Steel	Round	M24	124.7	-	36	-	24	60.0	18.0	19	120	537.0
34020.W0562	Steel	Flat, Plain	M_6	-	20.0	10	3.2	6	3.0	4.0	5	9	6.1
34020.W0564	Steel	Flat, Plain	M_6	-	30.0	10	3.2	6	3.0	4.0	5	9	7.6
34020.W0566	Steel	Flat, Plain	M_6	-	40.0	10	3.2	6	16.0	4.0	5	9	10.0
34020.W0582	Steel	Flat, Plain	M_8	-	20.0	13	4.5	8	3.5	5.5	6	15	13.0
34020.W0584	Steel	Flat, Plain	M_8	-	35.0	13	4.5	8	3.5	5.5	6	15	17.0
34020.W0586	Steel	Flat, Plain	M_8	-	50.0	13	4.5	8	22.0	5.5	6	15	23.0
34020.W0602	Steel	Flat, Plain	M10	-	25.0	16	6.0	10	4.5	7.0	8	20	24.0
34020.W0604	Steel	Flat, Plain	M10	-	40.0	16	6.0	10	4.5	7.0	8	20	31.0
34020.W0606	Steel	Flat, Plain	M10	-	60.0	16	6.0	10	28.0	7.0	8	20	43.0



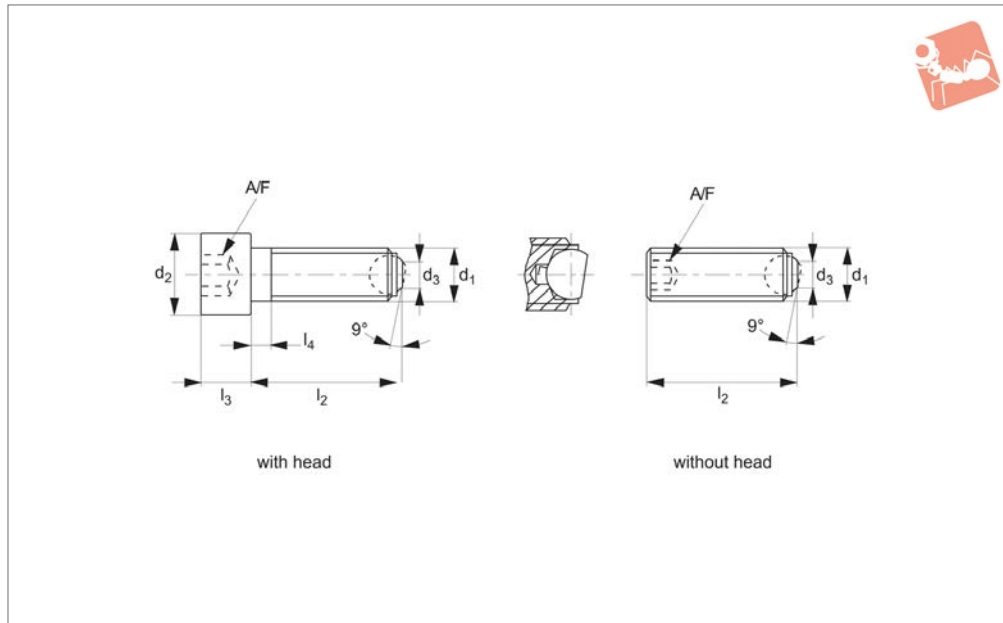
Order No.	Material	Ball face type	d <sub>1</sub>	l <sub>1</sub>	l <sub>2</sub>	d <sub>2</sub>	d <sub>3</sub>	l <sub>3</sub>	l <sub>4</sub>	Ball dia.	A/F	Static load kN max.	Weight g
34020.W0622	Steel	Flat, Plain	M12	-	30.0	18	7.2	12	5.0	8.5	10	30	38.0
34020.W0624	Steel	Flat, Plain	M12	-	50.0	18	7.2	12	5.0	8.5	10	30	52.0
34020.W0626	Steel	Flat, Plain	M12	-	80.0	18	7.2	12	44.0	8.5	10	30	79.0
34020.W0662	Steel	Flat, Plain	M16	-	40.0	24	10.7	16	6.0	12.0	14	60	92.0
34020.W0664	Steel	Flat, Plain	M16	-	60.0	24	10.7	16	6.0	12.0	14	60	120.0
34020.W0666	Steel	Flat, Plain	M16	-	80.0	24	10.7	16	36.0	12.0	14	60	155.0
34020.W0702	Steel	Flat, Plain	M20	-	50.0	30	13.5	20	7.5	15.0	17	90	182.0
34020.W0704	Steel	Flat, Plain	M20	-	80.0	30	13.5	20	28.0	15.0	17	90	255.0
34020.W0706	Steel	Flat, Plain	M20	-	100.0	30	13.5	20	48.0	15.0	17	90	305.0
34020.W0742	Steel	Flat, Plain	M24	-	60.0	36	15.8	24	9.0	18.0	19	120	325.0
34020.W0744	Steel	Flat, Plain	M24	-	90.0	36	15.8	24	30.0	18.0	19	120	422.0
34020.W0746	Steel	Flat, Plain	M24	-	120.0	36	15.8	24	60.0	18.0	19	120	534.0
34020.W0752	Stainless	Round	M_6	20.8	-	10	-	6	3.0	4.0	5	9	6.2
34020.W0754	Stainless	Round	M_6	30.8	-	10	-	6	3.0	4.0	5	9	8.0
34020.W0756	Stainless	Round	M_6	40.8	-	10	-	6	16.0	4.0	5	9	10.0
34020.W0762	Stainless	Round	M_8	21.2	-	13	-	8	3.5	5.5	6	15	13.0
34020.W0764	Stainless	Round	M_8	36.2	-	13	-	8	3.5	5.5	6	15	17.0
34020.W0766	Stainless	Round	M_8	51.2	-	13	-	8	22.0	5.5	6	15	24.0
34020.W0772	Stainless	Round	M10	26.7	-	16	-	10	4.5	7.0	8	20	24.0
34020.W0774	Stainless	Round	M10	41.7	-	16	-	10	4.5	7.0	8	20	31.0
34020.W0776	Stainless	Round	M10	61.7	-	16	-	10	28.0	7.0	8	20	44.0
34020.W0782	Stainless	Round	M12	32.0	-	18	-	12	5.0	8.5	10	30	38.0
34020.W0784	Stainless	Round	M12	52.0	-	18	-	12	5.0	8.5	10	30	52.0
34020.W0786	Stainless	Round	M12	82.0	-	18	-	12	44.0	8.5	10	30	79.0
34020.W0792	Stainless	Round	M16	43.3	-	24	-	16	6.0	12.0	14	60	94.0
34020.W0794	Stainless	Round	M16	63.3	-	24	-	16	6.0	12.0	14	60	119.0
34020.W0796	Stainless	Round	M16	83.3	-	24	-	16	36.0	12.0	14	60	156.0
34020.W0832	Stainless	Flat, Plain	M_6	-	20.0	10	3.2	6	3.0	4.0	5	9	6.1
34020.W0834	Stainless	Flat, Plain	M_6	-	30.0	10	3.2	6	3.0	4.0	5	9	7.6
34020.W0836	Stainless	Flat, Plain	M_6	-	40.0	10	3.2	6	16.0	4.0	5	9	10.0
34020.W0842	Stainless	Flat, Plain	M_8	-	20.0	13	4.5	8	3.5	5.5	6	15	13.0
34020.W0844	Stainless	Flat, Plain	M_8	-	35.0	13	4.5	8	3.5	5.5	6	15	17.0
34020.W0846	Stainless	Flat, Plain	M_8	-	50.0	13	4.5	8	22.0	5.5	6	15	23.0
34020.W0852	Stainless	Flat, Plain	M10	-	25.0	16	6.0	10	4.5	7.0	8	20	24.0
34020.W0854	Stainless	Flat, Plain	M10	-	40.0	16	6.0	10	4.5	8	8	20	31.0
34020.W0856	Stainless	Flat, Plain	M10	-	60.0	16	6.0	10	28.0	7.0	8	20	44.0
34020.W0862	Stainless	Flat, Plain	M12	-	30.0	18	7.2	12	5.0	8.5	10	30	38.0
34020.W0864	Stainless	Flat, Plain	M12	-	50.0	18	7.2	12	5.0	8.5	10	30	52.0
34020.W0866	Stainless	Flat, Plain	M12	-	80.0	18	7.2	12	44.0	8.5	10	30	79.0
34020.W0872	Stainless	Flat, Plain	M16	-	40.0	24	10.7	16	6.0	12.0	14	60	92.0
34020.W0874	Stainless	Flat, Plain	M16	-	60.0	24	10.7	16	6.0	12.0	14	60	120.0
34020.W0876	Stainless	Flat, Plain	M16	-	80.0	24	10.7	16	36.0	12.0	14	60	155.0
34020.W0892	Steel	Flat, Ribbed	M 8	-	20.0	13	4.5	8	3.5	5.5	6	15	12.0
34020.W0894	Steel	Flat, Ribbed	M 8	-	35.0	13	4.5	8	3.5	5.5	6	15	17.0
34020.W0896	Steel	Flat, Ribbed	M 8	-	50.0	13	4.5	8	22.0	5.5	6	15	23.0
34020.W0904	Steel	Flat, Ribbed	M10	-	40.0	16	6.0	10	4.5	7.0	8	20	31.0
34020.W0906	Steel	Flat, Ribbed	M10	-	60.0	16	6.0	10	28.0	7.0	8	20	44.0
34020.W0922	Steel	Flat, Ribbed	M12	-	30.0	18	7.2	12	5.0	8.5	10	30	39.0
34020.W0924	Steel	Flat, Ribbed	M12	-	50.0	18	7.2	12	5.0	8.5	10	30	53.0
34020.W0926	Steel	Flat, Ribbed	M12	-	80.0	18	7.2	12	44.0	8.5	10	30	79.0
34020.W0962	Steel	Flat, Ribbed	M16	-	40.0	24	10.7	16	6.0	12.0	14	60	92.0
34020.W0964	Steel	Flat, Ribbed	M16	-	60.0	24	10.7	16	6.0	12.0	14	60	118.0
34020.W0966	Steel	Flat, Ribbed	M16	-	80.0	24	10.7	16	36.0	12.0	14	60	155.0
34020.W0972	Steel	Flat, Ribbed	M20	-	50.0	30	13.5	20	7.5	15.0	17	90	180.0
34020.W0974	Steel	Flat, Ribbed	M20	-	80.0	30	13.5	20	28.0	15.0	17	90	254.0
34020.W0976	Steel	Flat, Ribbed	M20	-	100.0	30	13.5	20	48.0	15.0	17	90	303.0
34020.W0982	Steel	Flat, Ribbed	M24	-	60.0	36	15.8	24	9.0	18.0	19	120	324.0
34020.W0984	Steel	Flat, Ribbed	M24	-	90.0	36	15.8	24	30.0	18.0	19	120	427.0
34020.W0986	Steel	Flat, Ribbed	M24	-	120.0	36	15.8	24	60.0	18.0	19	120	536.0



# Thrust Screws - Steel

ball ended - flat - metal - secured

# Thrust Screws



**34000**

THRUST SCREWS

### Material

Body: heat treated steel, 1200 +/-100 N/mm<sup>2</sup>.

Ball: ball bearing steel, hardened.

### Technical Notes

For clamping, tightening or supporting of

surfaces that are not exactly parallel.

Special finish in stainless steel possible, price and delivery on request.

### Tips

**Ball secured against rotation so the flat face ball cannot flip over - see technical**

diagram.

Order No.	Type	Ball face	d <sub>1</sub>	l <sub>2</sub>	d <sub>2</sub>	d <sub>3</sub>	l <sub>3</sub>	l <sub>4</sub>	Ball dia.	A/F	Static load kN max.	Weight g
34000.W0062	With Head	Plain	M 6	20	10	3.2	6	3.0	4.0	5	6	6.1
34000.W0064	With Head	Plain	M 6	30	10	3.2	6	3.0	4.0	5	6	7.7
34000.W0066	With Head	Plain	M 6	40	10	3.2	6	16.0	4.0	5	6	10.0
34000.W0082	With Head	Plain	M 8	20	13	4.5	8	3.5	5.5	6	9	13.0
34000.W0084	With Head	Plain	M 8	35	13	4.5	8	3.5	5.5	6	9	17.0
34000.W0086	With Head	Plain	M 8	50	13	4.5	8	22.0	5.5	6	9	23.0
34000.W0102	With Head	Plain	M10	25	16	6.0	10	4.5	7.0	8	12	24.0
34000.W0104	With Head	Plain	M10	40	16	6.0	10	4.5	7.0	8	12	31.0
34000.W0106	With Head	Plain	M10	60	16	6.0	10	28.0	7.0	8	12	44.0
34000.W0122	With Head	Plain	M12	30	18	7.2	12	5.0	8.5	10	18	38.0
34000.W0124	With Head	Plain	M12	50	18	7.2	12	5.0	8.5	10	18	52.0
34000.W0126	With Head	Plain	M12	80	18	7.2	12	44.0	8.5	10	18	80.0
34000.W0162	With Head	Plain	M16	40	24	10.7	16	6.0	12.0	14	36	92.0
34000.W0164	With Head	Plain	M16	60	24	10.7	16	6.0	12.0	14	36	118.0
34000.W0166	With Head	Plain	M16	80	24	10.7	16	36.0	12.0	14	36	153.0
34000.W0172	With Head	Plain	M20	50	30	13.5	20	7.5	15.0	17	60	181.0
34000.W0174	With Head	Plain	M20	80	30	13.5	20	28.0	15.0	17	60	255.0
34000.W0176	With Head	Plain	M20	100	30	13.5	20	48.0	15.0	17	60	304.0
34000.W0182	With Head	Plain	M24	60	36	15.8	24	9.0	18.0	19	80	325.0
34000.W0184	With Head	Plain	M24	90	36	15.8	24	30.0	18.0	19	80	430.0
34000.W0186	With Head	Plain	M24	120	36	15.8	24	60.0	18.0	19	80	535.0
34000.W0192	With Head	Ribbed	M 8	20	13	4.5	8	3.5	5.5	6	9	13.0
34000.W0194	With Head	Ribbed	M 8	35	13	4.5	8	3.5	5.5	6	9	17.0
34000.W0196	With Head	Ribbed	M 8	50	13	4.5	8	22.0	5.5	6	9	23.0
34000.W0202	With Head	Ribbed	M10	25	16	6.0	10	4.5	7.0	8	12	24.0
34000.W0204	With Head	Ribbed	M10	40	16	6.0	10	4.5	7.0	8	12	31.0
34000.W0206	With Head	Ribbed	M10	60	16	6.0	10	28.0	7.0	8	12	44.0
34000.W0222	With Head	Ribbed	M12	30	18	7.2	12	5.0	8.5	10	18	38.0
34000.W0224	With Head	Ribbed	M12	50	18	7.2	12	5.0	8.5	10	18	52.0
34000.W0226	With Head	Ribbed	M12	80	18	7.2	12	44.0	8.5	10	18	80.0



Order No.	Type	Ball face	d <sub>1</sub>	l <sub>2</sub>	d <sub>2</sub>	d <sub>3</sub>	l <sub>3</sub>	l <sub>4</sub>	Ball dia.	A/F	Static load kN max.	Weight g
34000.W0262	With Head	Ribbed	M16	40	24	10.7	16	6.0	12.0	14	36	92.0
34000.W0264	With Head	Ribbed	M16	60	24	10.7	16	6.0	12.0	14	36	118.0
34000.W0266	With Head	Ribbed	M16	80	24	10.7	16	36.0	12.0	14	36	153.0
34000.W0272	With Head	Ribbed	M20	50	30	13.5	20	7.5	15.0	17	60	181.0
34000.W0274	With Head	Ribbed	M20	80	30	13.5	20	28.0	15.0	17	60	255.0
34000.W0276	With Head	Ribbed	M20	100	30	13.5	20	48.0	15.0	17	60	304.0
34000.W0282	With Head	Ribbed	M24	60	36	15.8	24	9.0	18.0	19	80	325.0
34000.W0284	With Head	Ribbed	M24	90	36	15.8	24	30.0	18.0	19	80	430.0
34000.W0286	With Head	Ribbed	M24	120	36	15.8	24	60.0	18.0	19	80	535.0
34000.W0563	W/o Head	Plain	M 6	12	-	3.2	-	-	4.0	3	6	1.6
34000.W0564	W/o Head	Plain	M 6	16	-	3.2	-	-	4.0	3	6	2.3
34000.W0565	W/o Head	Plain	M 6	20	-	3.2	-	-	4.0	3	6	2.9
34000.W0566	W/o Head	Plain	M 6	25	-	3.2	-	-	4.0	3	6	3.8
34000.W0583	W/o Head	Plain	M 8	16	-	4.5	-	-	5.5	4	9	3.7
34000.W0584	W/o Head	Plain	M 8	20	-	4.5	-	-	5.5	4	9	5.1
34000.W0585	W/o Head	Plain	M 8	25	-	4.5	-	-	5.5	4	9	6.5
34000.W0586	W/o Head	Plain	M 8	30	-	4.5	-	-	5.5	4	9	8.1
34000.W0603	W/o Head	Plain	M10	20	-	6.0	-	-	7.0	5	12	7.6
34000.W0604	W/o Head	Plain	M10	25	-	6.0	-	-	7.0	5	12	10.0
34000.W0606	W/o Head	Plain	M10	35	-	6.0	-	-	7.0	5	12	15.0
34000.W0608	W/o Head	Plain	M10	40	-	6.0	-	-	7.0	5	12	17.0
34000.W0622	W/o Head	Plain	M12	20	-	7.2	-	-	8.5	6	18	11.0
34000.W0624	W/o Head	Plain	M12	30	-	7.2	-	-	8.5	6	18	18.0
34000.W0626	W/o Head	Plain	M12	40	-	7.2	-	-	8.5	6	18	24.0
34000.W0628	W/o Head	Plain	M12	50	-	7.2	-	-	8.5	6	18	32.0
34000.W0661	W/o Head	Plain	M16	20	-	10.7	-	-	12.0	8	36	22.0
34000.W0662	W/o Head	Plain	M16	25	-	10.7	-	-	12.0	8	36	28.0
34000.W0664	W/o Head	Plain	M16	35	-	10.7	-	-	12.0	8	36	38.0
34000.W0666	W/o Head	Plain	M16	50	-	10.7	-	-	12.0	8	36	60.0
34000.W0672	W/o Head	Plain	M20	30	-	13.5	-	-	15.0	10	60	52.0
34000.W0674	W/o Head	Plain	M20	40	-	13.5	-	-	15.0	10	60	70.0
34000.W0675	W/o Head	Plain	M20	50	-	13.5	-	-	15.0	10	60	90.0
34000.W0676	W/o Head	Plain	M20	60	-	13.5	-	-	15.0	10	60	111.0
34000.W0682	W/o Head	Plain	M24	35	-	15.8	-	-	18.0	12	80	86.0
34000.W0684	W/o Head	Plain	M24	50	-	15.8	-	-	18.0	12	80	125.0
34000.W0686	W/o Head	Plain	M24	80	-	15.8	-	-	18.0	12	80	216.0
34000.W0693	W/o Head	Ribbed	M 8	16	-	4.5	-	-	5.5	4	9	3.7
34000.W0694	W/o Head	Ribbed	M 8	20	-	4.5	-	-	5.5	4	9	5.1
34000.W0695	W/o Head	Ribbed	M 8	25	-	4.5	-	-	5.5	4	9	6.5
34000.W0696	W/o Head	Ribbed	M 8	30	-	4.5	-	-	5.5	4	9	8.1
34000.W0703	W/o Head	Ribbed	M10	20	-	6.0	-	-	7.0	5	12	7.6
34000.W0704	W/o Head	Ribbed	M10	25	-	6.0	-	-	7.0	5	12	10.0
34000.W0706	W/o Head	Ribbed	M10	35	-	6.0	-	-	7.0	5	12	15.0
34000.W0708	W/o Head	Ribbed	M10	40	-	6.0	-	-	7.0	5	12	17.0
34000.W0722	W/o Head	Ribbed	M12	20	-	7.2	-	-	8.5	6	18	11.0
34000.W0724	W/o Head	Ribbed	M12	30	-	7.2	-	-	8.5	6	18	18.0
34000.W0726	W/o Head	Ribbed	M12	40	-	7.2	-	-	8.5	6	18	24.0
34000.W0728	W/o Head	Ribbed	M12	50	-	7.2	-	-	8.5	6	18	32.0
34000.W0761	W/o Head	Ribbed	M16	20	-	10.7	-	-	12.0	8	36	22.0
34000.W0762	W/o Head	Ribbed	M16	25	-	10.7	-	-	12.0	8	36	28.0
34000.W0764	W/o Head	Ribbed	M16	35	-	10.7	-	-	12.0	8	36	38.0
34000.W0766	W/o Head	Ribbed	M16	50	-	10.7	-	-	12.0	8	36	60.0
34000.W0772	W/o Head	Ribbed	M20	30	-	13.5	-	-	15.0	10	60	52.0
34000.W0774	W/o Head	Ribbed	M20	40	-	13.5	-	-	15.0	10	60	70.0
34000.W0775	W/o Head	Ribbed	M20	50	-	13.5	-	-	15.0	10	60	90.0
34000.W0776	W/o Head	Ribbed	M20	60	-	13.5	-	-	15.0	10	60	111.0
34000.W0782	W/o Head	Ribbed	M24	35	-	15.8	-	-	18.0	12	80	86.0
34000.W0784	W/o Head	Ribbed	M24	50	-	15.8	-	-	18.0	12	80	125.0



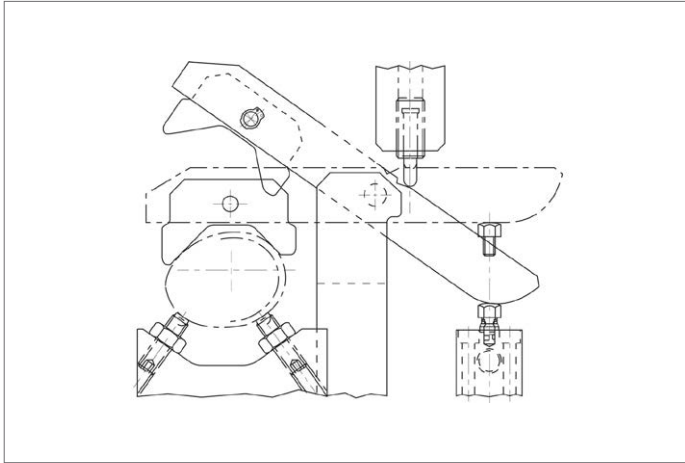
# Thrust Screws - Steel

ball ended - flat - metal - secured



## Thrust Screws

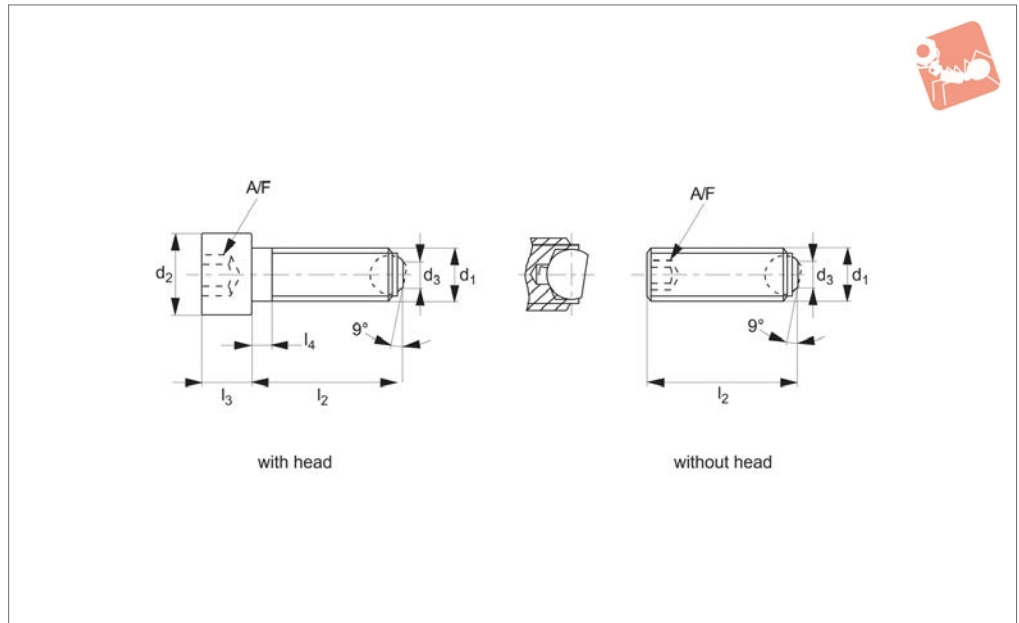
Order No.	Type	Ball face	$d_1$	$l_2$	$d_2$	$d_3$	$l_3$	$l_4$	Ball dia.	A/F	Static load kN max.	Weight g
34000.W0786	W/o Head	Ribbed	M24	80	-	15.8	-	-	18.0	12	80	216.0



THRUST SCREWS



## 34002



### Material

Screw: stainless steel 1.4305 (AISI 303).  
Heat-treated steel, 1200±100 N/mm<sup>2</sup>.  
Ball: stainless steel, hardened

surfaces that are not exactly parallel. Load transmission maximized due to moveable ball.  
Note: thread runout  $l_4$ .

**face ball cannot flip over - see technical diagram**

### Technical Notes

For clamping, tightening or supporting of

### Tips

**Ball secured against rotation so the flat**

Order No.	Type	d <sub>1</sub>	l <sub>2</sub>	d <sub>2</sub>	d <sub>3</sub>	l <sub>3</sub>	l <sub>4</sub>	Ball dia.	A/F	Weight g
34002.W0302	With Head	M 6	20	10	3.2	6	3.0	4.0	5	6.1
34002.W0304	With Head	M 6	30	10	3.2	6	3.0	4.0	5	7.7
34002.W0306	With Head	M 6	40	10	3.2	6	16.0	4.0	5	10.0
34002.W0312	With Head	M 8	20	13	4.5	8	3.5	5.5	6	13.0
34002.W0314	With Head	M 8	35	13	4.5	8	3.5	5.5	6	17.0
34002.W0316	With Head	M 8	50	13	4.5	8	22.0	5.5	6	23.0
34002.W0322	With Head	M10	25	16	6.0	10	4.5	7.0	8	24.0
34002.W0324	With Head	M10	40	16	6.0	10	4.5	7.0	8	31.0
34002.W0326	With Head	M10	60	16	6.0	10	28.0	7.0	8	44.0
34002.W0332	With Head	M12	30	18	7.2	12	5.0	8.5	10	48.0
34002.W0334	With Head	M12	50	18	7.2	12	5.0	8.5	10	52.0
34002.W0336	With Head	M12	80	18	7.2	12	44.0	8.5	10	80.0
34002.W0342	With Head	M16	40	24	10.7	16	6.0	12.0	14	92.0
34002.W0344	With Head	M16	60	24	10.7	16	6.0	12.0	14	118.0
34002.W0346	With Head	M16	80	24	10.7	16	36.0	12.0	14	153.0
34002.W0803	W/o Head	M 6	12	-	3.2	-	-	4.0	3	1.6
34002.W0804	W/o Head	M 6	16	-	3.2	-	-	4.0	3	2.3
34002.W0805	W/o Head	M 6	20	-	3.2	-	-	4.0	3	2.9
34002.W0806	W/o Head	M 6	25	-	3.2	-	-	4.0	3	3.8
34002.W0813	W/o Head	M 8	16	-	4.5	-	-	5.5	4	3.7
34002.W0814	W/o Head	M 8	20	-	4.5	-	-	5.5	4	5.1
34002.W0815	W/o Head	M 8	25	-	4.5	-	-	5.5	4	6.5
34002.W0816	W/o Head	M 8	30	-	4.5	-	-	5.5	4	8.1
34002.W0823	W/o Head	M10	20	-	6.0	-	-	7.0	5	7.6
34002.W0824	W/o Head	M10	25	-	6.0	-	-	7.0	5	10.0
34002.W0826	W/o Head	M10	35	-	6.0	-	-	7.0	5	15.0
34002.W0828	W/o Head	M10	40	-	6.0	-	-	7.0	5	17.0
34002.W0832	W/o Head	M12	20	-	7.2	-	-	8.5	6	11.0
34002.W0834	W/o Head	M12	30	-	7.2	-	-	8.5	6	18.0
34002.W0836	W/o Head	M12	40	-	7.2	-	-	8.5	6	24.0
34002.W0838	W/o Head	M12	50	-	7.2	-	-	8.5	6	32.0



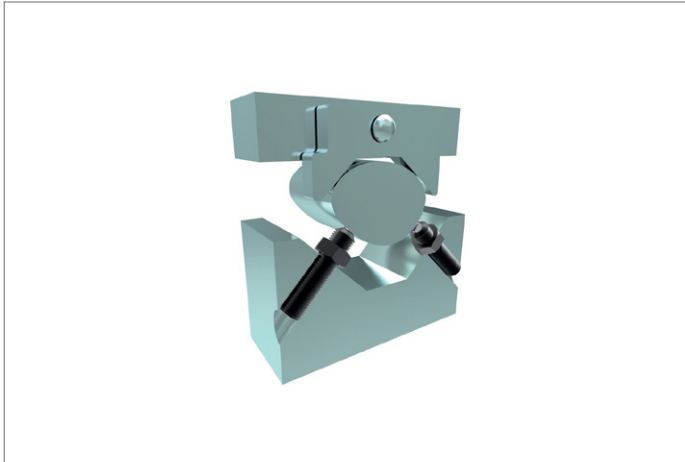
# Thrust Screws - Stainless

ball ended - flat - metal - secured



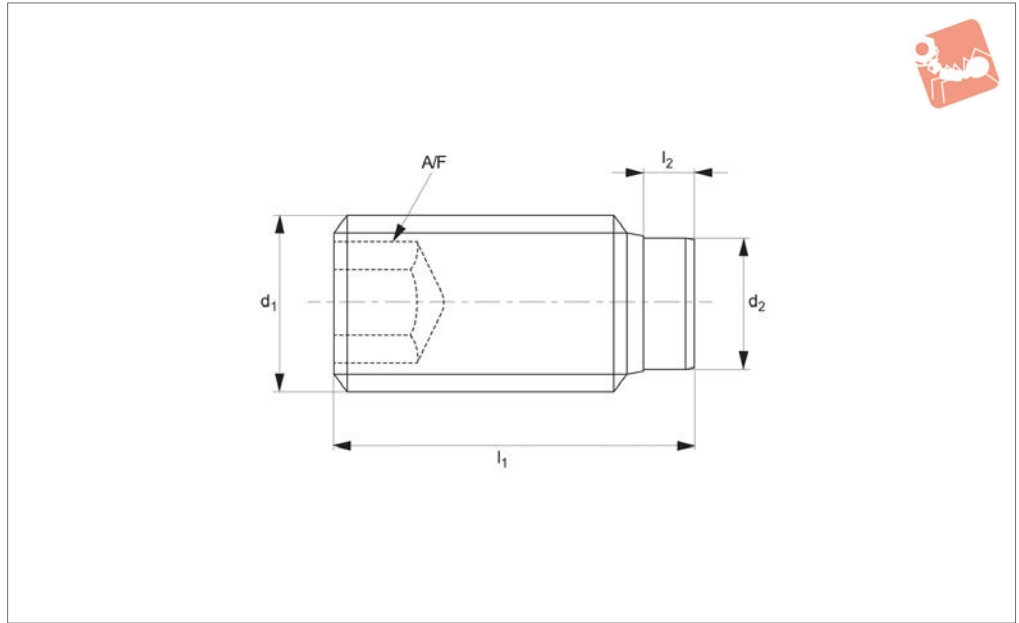
## Thrust Screws

Order No.	Type	d <sub>1</sub>	l <sub>2</sub>	d <sub>2</sub>	d <sub>3</sub>	l <sub>3</sub>	l <sub>4</sub>	Ball dia.	A/F	Weight g
<b>34002.W0841</b>	W/o Head	M16	20	-	10.7	-	-	12.0	8	22.0
<b>34002.W0842</b>	W/o Head	M16	25	-	10.7	-	-	12.0	8	29.0
<b>34002.W0844</b>	W/o Head	M16	35	-	10.7	-	-	12.0	8	38.0
<b>34002.W0846</b>	W/o Head	M16	50	-	10.7	-	-	12.0	8	60.0





## 34140.1



THRUST SCREWS

### Material

Screw: heat treated steel, 1200 +/-100 N/mm<sup>2</sup>.  
Pad: brass.

### Technical Notes

Brass pad pressed in. These thrust screws can be used for gentle clamping or pressing of threaded spindles, axles, shafts or

surface treated parts.

Order No.	Material	Type	d <sub>1</sub>	l <sub>1</sub>	l <sub>2</sub>	d <sub>2</sub>	A/F	Weight g
34140.W0034	Steel	Brass Pad	M 3	7.5	1.0	1.5	1.5	0.3
34140.W0036	Steel	Brass Pad	M 3	10.0	1.0	1.5	1.5	0.5
34140.W0042	Steel	Brass Pad	M 4	6.5	1.2	2.5	2.0	0.3
34140.W0044	Steel	Brass Pad	M 4	10.5	1.2	2.5	2.0	0.8
34140.W0046	Steel	Brass Pad	M 4	16.5	1.2	2.5	2.0	1.2
34140.W0052	Steel	Brass Pad	M 5	8.5	1.3	3.0	2.5	0.9
34140.W0054	Steel	Brass Pad	M 5	12.5	1.3	3.0	2.5	1.4
34140.W0056	Steel	Brass Pad	M 5	20.5	1.3	3.0	2.5	2.1
34140.W0062	Steel	Brass Pad	M 6	11.5	1.9	4.0	3.0	1.7
34140.W0064	Steel	Brass Pad	M 6	17.5	1.9	4.0	3.0	2.7
34140.W0066	Steel	Brass Pad	M 6	26.5	1.9	4.0	3.0	4.2
34140.W0080	Steel	Brass Pad	M 8	8.0	1.4	5.5	4.0	2.2
34140.W0082	Steel	Brass Pad	M 8	12.0	2.5	5.5	4.0	3.0
34140.W0086	Steel	Brass Pad	M 8	22.0	2.5	5.5	4.0	5.8
34140.W0088	Steel	Brass Pad	M 8	32.0	2.5	5.5	4.0	8.9
34140.W0102	Steel	Brass Pad	M10	14.0	2.7	7.0	5.0	5.6
34140.W0104	Steel	Brass Pad	M10	18.0	2.7	7.0	5.0	6.7
34140.W0106	Steel	Brass Pad	M10	27.0	2.7	7.0	5.0	11.0
34140.W0108	Steel	Brass Pad	M10	37.0	2.7	7.0	5.0	16.0
34140.W0122	Steel	Brass Pad	M12	18.5	3.4	8.5	6.0	10.0
34140.W0124	Steel	Brass Pad	M12	22.5	3.4	8.5	6.0	12.0
34140.W0126	Steel	Brass Pad	M12	32.5	3.4	8.5	6.0	20.0
34140.W0128	Steel	Brass Pad	M12	42.5	3.4	8.5	6.0	29.0

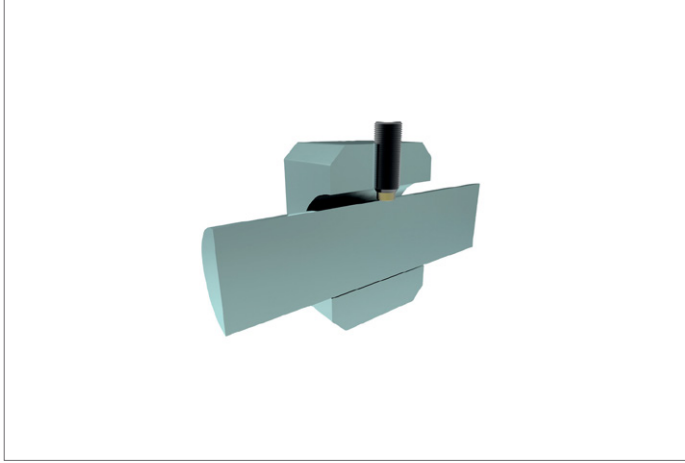




# Thrust Screws - Brass Pad steel



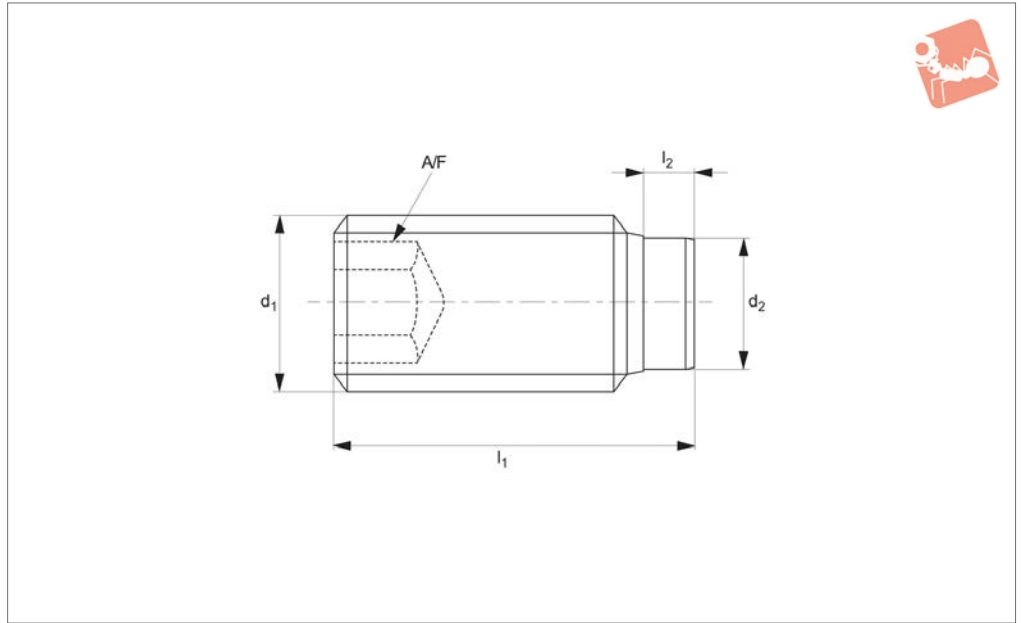
## Thrust Screws



THRUST SCREWS



**34140.2**



THRUST SCREWS

### Material

Screw: stainless steel 1.4305 (AISI 303).  
Pad: brass.

### Technical Notes

Brass pad pressed in. These thrust screws can be used for gentle clamping or pres-

sing of threaded spindles, axles, shafts or surface treated parts.

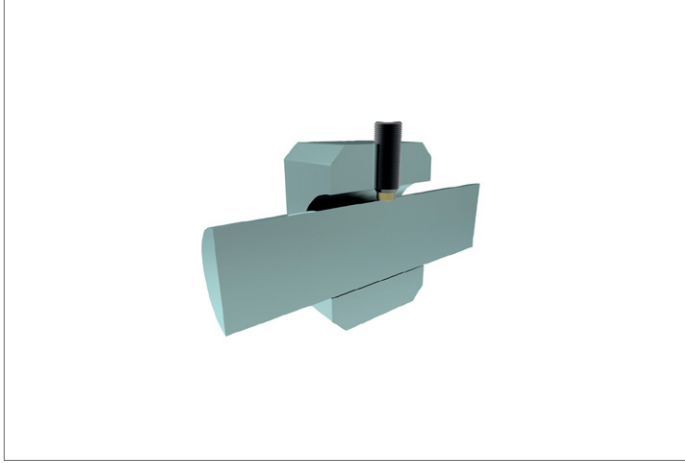
Order No.	Material	Type	d <sub>1</sub>	l <sub>1</sub>	l <sub>2</sub>	d <sub>2</sub>	A/F	Weight g
34140.W0432	Stainless	Brass Pad	M 3	5.0	1.0	1.5	1.5	0.2
34140.W0434	Stainless	Brass Pad	M 3	7.5	1.0	1.5	1.5	0.3
34140.W0436	Stainless	Brass Pad	M 3	10.0	1.0	1.5	1.5	0.5
34140.W0442	Stainless	Brass Pad	M 4	6.5	1.2	2.5	2.0	0.3
34140.W0444	Stainless	Brass Pad	M 4	10.5	1.2	2.5	2.0	0.8
34140.W0446	Stainless	Brass Pad	M 4	16.5	1.2	2.5	2.0	1.2
34140.W0452	Stainless	Brass Pad	M 5	8.5	1.3	3.0	2.5	0.9
34140.W0454	Stainless	Brass Pad	M 5	12.5	1.3	3.0	2.5	1.4
34140.W0456	Stainless	Brass Pad	M 5	20.5	1.3	3.0	2.5	2.1
34140.W0462	Stainless	Brass Pad	M 6	11.5	1.9	4.0	3.0	1.7
34140.W0464	Stainless	Brass Pad	M 6	17.5	1.9	4.0	3.0	2.7
34140.W0466	Stainless	Brass Pad	M 6	26.5	1.9	4.0	3.0	4.2
34140.W0482	Stainless	Brass Pad	M 8	12.0	2.5	5.5	4.0	3.0
34140.W0486	Stainless	Brass Pad	M 8	22.0	2.5	5.5	4.0	5.8
34140.W0488	Stainless	Brass Pad	M 8	32.0	2.5	5.5	4.0	8.9
34140.W0502	Stainless	Brass Pad	M10	14.0	2.7	7.0	5.0	5.6
34140.W0504	Stainless	Brass Pad	M10	18.0	2.7	7.0	5.0	6.7
34140.W0506	Stainless	Brass Pad	M10	27.0	2.7	7.0	5.0	11.0
34140.W0508	Stainless	Brass Pad	M10	37.0	2.7	7.0	5.0	16.0
34140.W0522	Stainless	Brass Pad	M12	18.5	3.4	8.5	6.0	10.0
34140.W0524	Stainless	Brass Pad	M12	22.5	3.4	8.5	6.0	12.0
34140.W0526	Stainless	Brass Pad	M12	32.5	3.4	8.5	6.0	20.0
34140.W0528	Stainless	Brass Pad	M12	42.5	3.4	8.5	6.0	29.0



# Thrust Screws - Brass Pad stainless steel



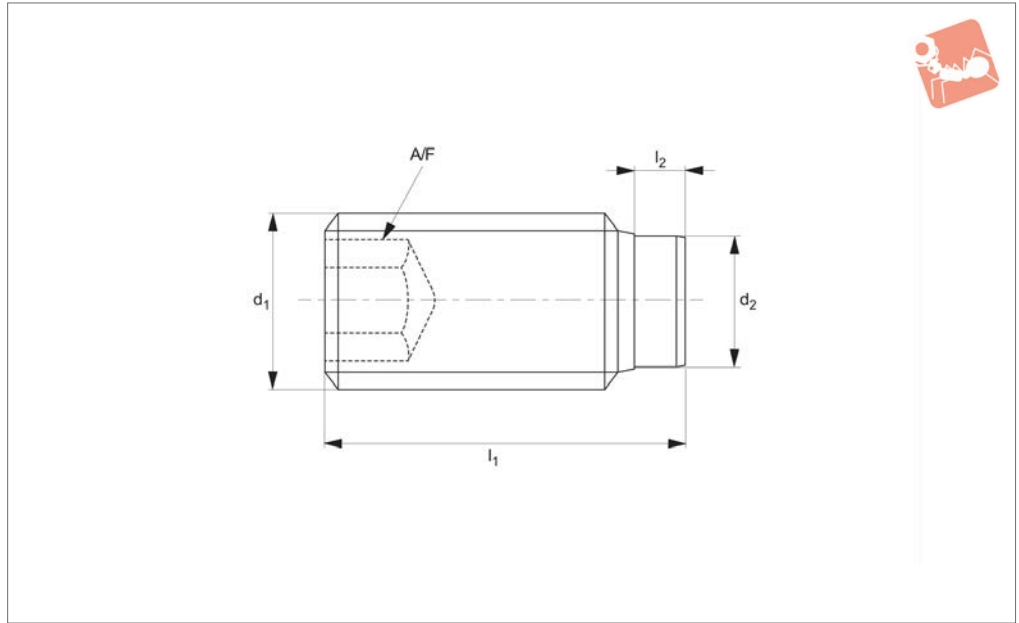
## Thrust Screws



THRUST SCREWS



## 34160.1



THRUST SCREWS

### Material

Screw: heat treated steel, 1200 +/-100 N/mm<sup>2</sup>.

Pad: thermoplastic POM, white.

### Technical Notes

Thermoplastic bolt pressed in.

For gentle clamping or pressing of thread spindles, axles, shafts and surface treated

parts.

Order No.	Material	Type	d <sub>1</sub>	l <sub>1</sub>	l <sub>2</sub>	d <sub>2</sub>	A/F	Weight g
34160.W0242	Steel	Thermo Pad	M 4	7.0	1.0	2.0	2.0	0.3
34160.W0243	Steel	Thermo Pad	M 4	9.0	1.0	2.0	2.0	0.4
34160.W0244	Steel	Thermo Pad	M 4	11.0	1.0	2.0	2.0	0.6
34160.W0245	Steel	Thermo Pad	M 4	13.0	1.0	2.0	2.0	0.7
34160.W0246	Steel	Thermo Pad	M 4	17.0	1.0	2.0	2.0	1.0
34160.W0247	Steel	Thermo Pad	M 4	21.0	1.0	2.0	2.0	1.3
34160.W0252	Steel	Thermo Pad	M 5	9.0	1.0	3.0	2.5	0.7
34160.W0253	Steel	Thermo Pad	M 5	11.0	1.0	3.0	2.5	0.8
34160.W0254	Steel	Thermo Pad	M 5	13.0	1.0	3.0	2.5	1.0
34160.W0255	Steel	Thermo Pad	M 5	17.0	1.0	3.0	2.5	1.2
34160.W0256	Steel	Thermo Pad	M 5	21.0	1.0	3.0	2.5	2.0
34160.W0257	Steel	Thermo Pad	M 5	26.0	1.0	3.0	2.5	2.6
34160.W0262	Steel	Thermo Pad	M 6	11.3	1.3	3.5	3.0	1.2
34160.W0263	Steel	Thermo Pad	M 6	13.3	1.3	3.5	3.0	1.5
34160.W0264	Steel	Thermo Pad	M 6	17.3	1.3	3.5	3.0	2.2
34160.W0265	Steel	Thermo Pad	M 6	21.3	1.3	3.5	3.0	2.8
34160.W0266	Steel	Thermo Pad	M 6	26.3	1.3	3.5	3.0	3.8
34160.W0267	Steel	Thermo Pad	M 6	33.3	1.3	3.5	3.0	4.9
34160.W0268	Steel	Thermo Pad	M 6	41.3	1.3	3.5	3.0	6.3
34160.W0270	Steel	Thermo Pad	M 6	51.3	1.3	3.5	3.0	7.9
34160.W0282	Steel	Thermo Pad	M 8	13.6	1.6	5.0	4.0	2.6
34160.W0283	Steel	Thermo Pad	M 8	17.6	1.6	5.0	4.0	3.6
34160.W0284	Steel	Thermo Pad	M 8	21.6	1.6	5.0	4.0	5.0
34160.W0285	Steel	Thermo Pad	M 8	26.6	1.6	5.0	4.0	6.4
34160.W0286	Steel	Thermo Pad	M 8	33.6	1.6	5.0	4.0	8.5
34160.W0287	Steel	Thermo Pad	M 8	41.6	1.6	5.0	4.0	11.0
34160.W0288	Steel	Thermo Pad	M 8	51.6	1.6	5.0	4.0	14.0
34160.W0290	Steel	Thermo Pad	M 8	64.6	1.6	5.0	4.0	18.0
34160.W0302	Steel	Thermo Pad	M10	17.9	1.9	6.5	5.0	5.2
34160.W0303	Steel	Thermo Pad	M10	21.9	1.9	6.5	5.0	7.1
34160.W0304	Steel	Thermo Pad	M10	26.9	1.9	6.5	5.0	9.9
34160.W0305	Steel	Thermo Pad	M10	33.9	1.9	6.5	5.0	13.0
34160.W0306	Steel	Thermo Pad	M10	41.9	1.9	6.5	5.0	17.0
34160.W0307	Steel	Thermo Pad	M10	51.9	1.9	6.5	5.0	22.0



# Thrust Screws - Plastic Pad steel



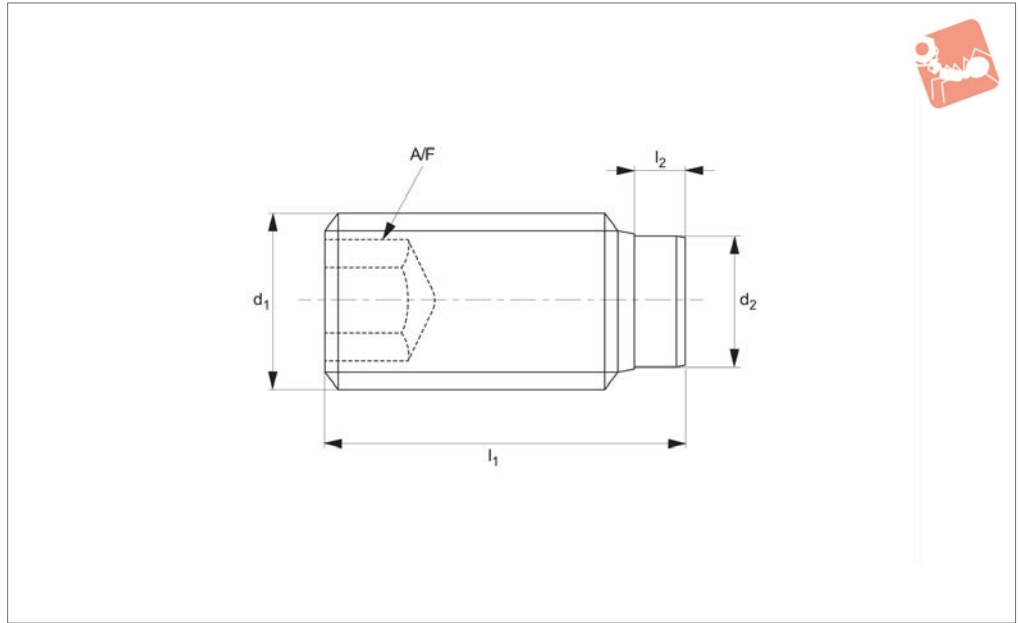
## Thrust Screws

Order No.	Material	Type	d <sub>1</sub>	l <sub>1</sub>	l <sub>2</sub>	d <sub>2</sub>	A/F	Weight g
<b>34160.W0308</b>	Steel	Thermo Pad	M10	64.9	1.9	6.5	5.0	28.0
<b>34160.W0310</b>	Steel	Thermo Pad	M10	81.9	1.9	6.5	5.0	36.0
<b>34160.W0322</b>	Steel	Thermo Pad	M12	22.1	2.1	8.0	6.0	9.0
<b>34160.W0323</b>	Steel	Thermo Pad	M12	27.1	2.1	8.0	6.0	10.0
<b>34160.W0324</b>	Steel	Thermo Pad	M12	34.1	2.1	8.0	6.0	19.0
<b>34160.W0325</b>	Steel	Thermo Pad	M12	42.1	2.1	8.0	6.0	24.0
<b>34160.W0326</b>	Steel	Thermo Pad	M12	52.1	2.1	8.0	6.0	31.0
<b>34160.W0327</b>	Steel	Thermo Pad	M12	65.1	2.1	8.0	6.0	40.0
<b>34160.W0330</b>	Steel	Thermo Pad	M12	82.1	2.1	8.0	6.0	51.0
<b>34160.W0332</b>	Steel	Thermo Pad	M12	102.1	2.1	8.0	6.0	66.0

THRUST SCREWS



**34160.2**



THRUST SCREWS

**Material**

Screw: stainless steel 1.4305 (AISI 303).  
Pad: thermoplastic POM, white.

**Technical Notes**

Thermoplastic bolt pressed in.  
For gentle clamping or pressing of thread

spindles, axles, shafts and surface treated parts.

Order No.	Material	Type	d <sub>1</sub>	l <sub>1</sub>	l <sub>2</sub>	d <sub>2</sub>	A/F	Weight g
34160.W0632	Stainless	Thermo Pad	M 3	3.8	0.8	1.5	1.5	0.2
34160.W0634	Stainless	Thermo Pad	M 3	5.8	0.8	1.5	1.5	0.3
34160.W0636	Stainless	Thermo Pad	M 3	8.8	0.8	1.5	1.5	0.4
34160.W0638	Stainless	Thermo Pad	M 3	10.8	0.8	1.5	1.5	0.5
34160.W0642	Stainless	Thermo Pad	M 4	7.0	1.0	2.0	2.0	0.3
34160.W0643	Stainless	Thermo Pad	M 4	9.0	1.0	2.0	2.0	0.4
34160.W0644	Stainless	Thermo Pad	M 4	11.0	1.0	2.0	2.0	0.6
34160.W0645	Stainless	Thermo Pad	M 4	13.0	1.0	2.0	2.0	0.7
34160.W0646	Stainless	Thermo Pad	M 4	17.0	1.0	2.0	2.0	1.0
34160.W0652	Stainless	Thermo Pad	M 5	9.0	1.0	3.0	2.5	0.7
34160.W0653	Stainless	Thermo Pad	M 5	11.0	1.0	3.0	2.5	0.8
34160.W0654	Stainless	Thermo Pad	M 5	13.0	1.0	3.0	2.5	1.0
34160.W0655	Stainless	Thermo Pad	M 5	17.0	1.0	3.0	2.5	1.2
34160.W0656	Stainless	Thermo Pad	M 5	21.0	1.0	3.0	2.5	2.0
34160.W0662	Stainless	Thermo Pad	M 6	11.3	1.3	3.5	3.0	1.2
34160.W0663	Stainless	Thermo Pad	M 6	13.3	1.3	3.5	3.0	1.5
34160.W0664	Stainless	Thermo Pad	M 6	17.3	1.3	3.5	3.0	2.2
34160.W0665	Stainless	Thermo Pad	M 6	21.3	1.3	3.5	3.0	2.8
34160.W0666	Stainless	Thermo Pad	M 6	26.3	1.3	3.5	3.0	3.8
34160.W0667	Stainless	Thermo Pad	M 6	33.3	1.3	3.5	3.0	4.9
34160.W0682	Stainless	Thermo Pad	M 8	13.6	1.6	5.0	4.0	2.6
34160.W0683	Stainless	Thermo Pad	M 8	17.6	1.6	5.0	4.0	3.6
34160.W0684	Stainless	Thermo Pad	M 8	21.6	1.6	5.0	4.0	5.0
34160.W0685	Stainless	Thermo Pad	M 8	26.6	1.6	5.0	4.0	6.4
34160.W0686	Stainless	Thermo Pad	M 8	33.6	1.6	5.0	4.0	8.5
34160.W0687	Stainless	Thermo Pad	M 8	41.6	1.6	5.0	4.0	11.0
34160.W0702	Stainless	Thermo Pad	M10	17.9	1.9	6.5	5.0	5.2
34160.W0703	Stainless	Thermo Pad	M10	21.9	1.9	6.5	5.0	7.1
34160.W0704	Stainless	Thermo Pad	M10	26.9	1.9	6.5	5.0	9.9
34160.W0705	Stainless	Thermo Pad	M10	33.9	1.9	6.5	5.0	13.0
34160.W0706	Stainless	Thermo Pad	M10	41.9	1.9	6.5	5.0	17.0
34160.W0707	Stainless	Thermo Pad	M10	51.9	1.9	6.5	5.0	22.0
34160.W0722	Stainless	Thermo Pad	M12	22.1	2.1	8.0	6.0	9.0
34160.W0723	Stainless	Thermo Pad	M12	27.1	2.1	8.0	6.0	10.0



# Thrust Screws - Plastic Pad

stainless steel

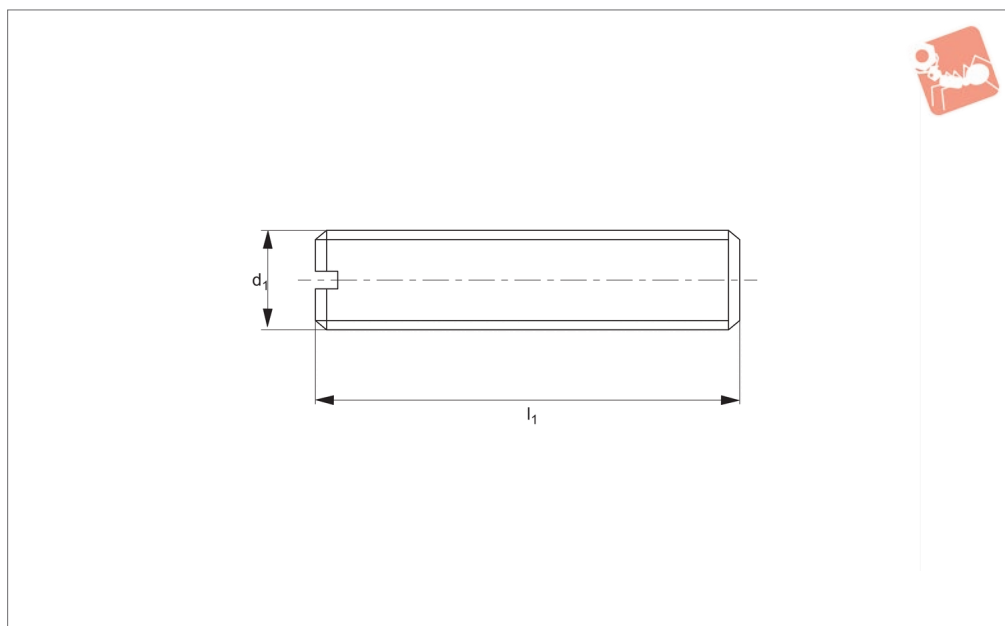


## Thrust Screws

Order No.	Material	Type	d <sub>1</sub>	l <sub>1</sub>	l <sub>2</sub>	d <sub>2</sub>	A/F	Weight g
<b>34160.W0724</b>	Stainless	Thermo Pad	M12	34.1	2.1	8.0	6.0	19.0
<b>34160.W0725</b>	Stainless	Thermo Pad	M12	42.1	2.1	8.0	6.0	24.0
<b>34160.W0726</b>	Stainless	Thermo Pad	M12	52.1	2.1	8.0	6.0	31.0
<b>34160.W0727</b>	Stainless	Thermo Pad	M12	65.1	2.1	8.0	6.0	40.0



**34300**

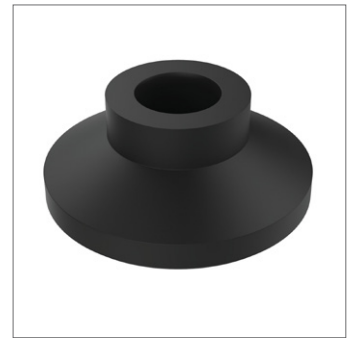
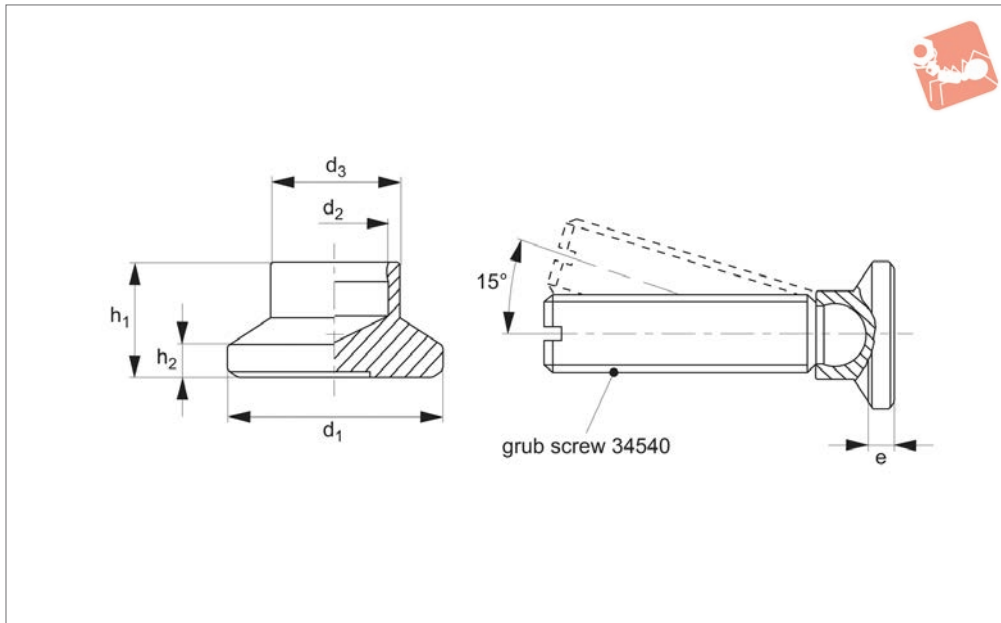


### Material

Body: steel to tensile strength 500 N/mm<sup>2</sup>,  
blackened.

Order No.	d <sub>1</sub>	l <sub>1</sub>
34300.W0060	M 6	20
34300.W0063	M 6	35
34300.W0064	M 6	40
34300.W0065	M 6	45
34300.W0066	M 6	50
34300.W0088	M 8	70
34300.W0089	M 8	80
34300.W0100	M10	25
34300.W0105	M10	50
34300.W0106	M10	55
34300.W0109	M10	80
34300.W0120	M12	30
34300.W0122	M12	40
34300.W0123	M12	45
34300.W0124	M12	50
34300.W0125	M12	55
34300.W0126	M12	60
34300.W0128	M12	80
34300.W0129	M12	100
34300.W0160	M16	30
34300.W0164	M16	50
34300.W0167	M16	70





## 34530

THRUST SCREWS

### Material

Thermoplastic (POM) black, matte.

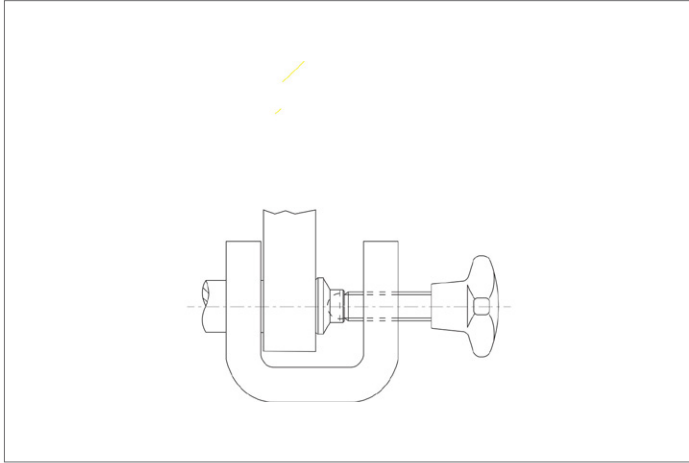
### Technical Notes

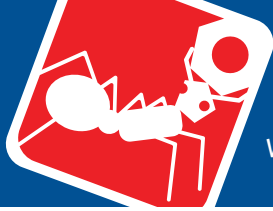
Can be used with grub screw no. 34540<X\ 34540#26>.

Order No.	d <sub>1</sub>	d <sub>2</sub>	d <sub>3</sub>	e ≈	h <sub>1</sub>	h <sub>2</sub>	Load capacity for static load kN max.	For grub screws 34540	Weight g
34530.W0014	15	4.5	8.6	3.6	7.6	2.5	3.5	M 6	1.0
34530.W0015	15	6.1	8.6	2.5	7.6	2.5	3.5	M 8	1.0
34530.W0017	18	6.1	10.8	4.2	9.2	2.5	3.5	M 8	1.8
34530.W0018	18	7.8	10.8	3.4	9.2	2.5	3.5	M10	2.0
34530.W0019	21	6.1	12.8	5.0	10.0	3.0	3.5	M 8	3.0
34530.W0020	21	7.8	12.8	4.3	10.0	3.0	3.5	M10	2.6
34530.W0021	21	9.4	12.8	3.4	10.0	3.0	3.5	M12	3.0
34530.W0023	25	6.1	13.0	5.5	10.5	3.0	3.5	M 8	4.0
34530.W0024	25	7.8	13.0	4.6	10.5	3.0	3.5	M10	3.6
34530.W0025	25	9.4	13.0	3.6	10.5	3.0	3.5	M12	3.4
34530.W0032	32	6.1	14.0	6.0	11.0	3.0	3.5	M 8	5.0
34530.W0033	32	7.8	14.0	5.0	11.0	3.0	3.5	M10	5.0
34530.W0034	32	9.4	14.0	4.2	11.0	3.0	3.5	M12	5.0
34530.W0040	40	6.1	16.0	8.0	13.0	4.0	3.5	M 8	11.0
34530.W0041	40	7.8	16.0	7.0	13.0	4.0	3.5	M10	10.0
34530.W0042	40	9.4	16.0	6.2	13.0	4.0	3.5	M12	10.0



THRUST SCREWS



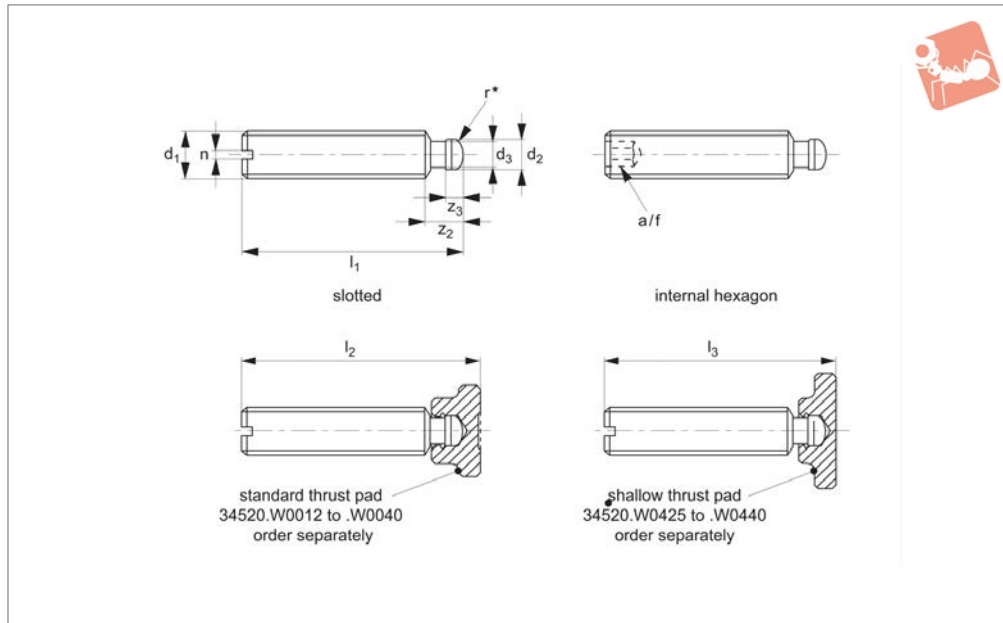


# Grub Screws

with slot or hex end, and thrust point - form S - DIN



# Thrust Screws



## 34500

THRUST SCREWS

### Material

Body: steel to quality 5.8, thrust point hardened, blackened.

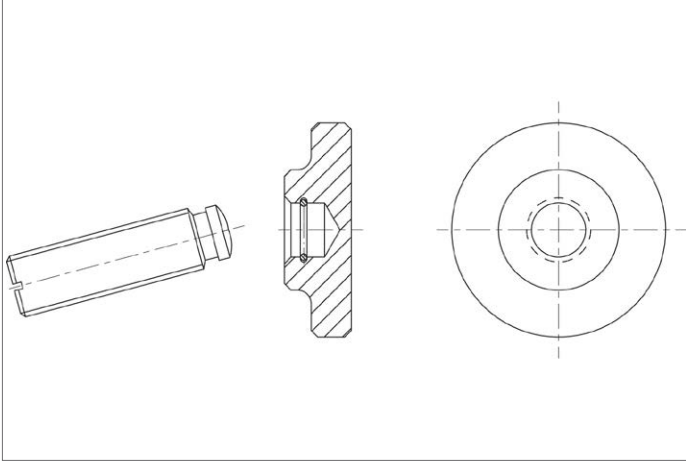
pads no. 34520<X\34520#26> standard or shallow type.

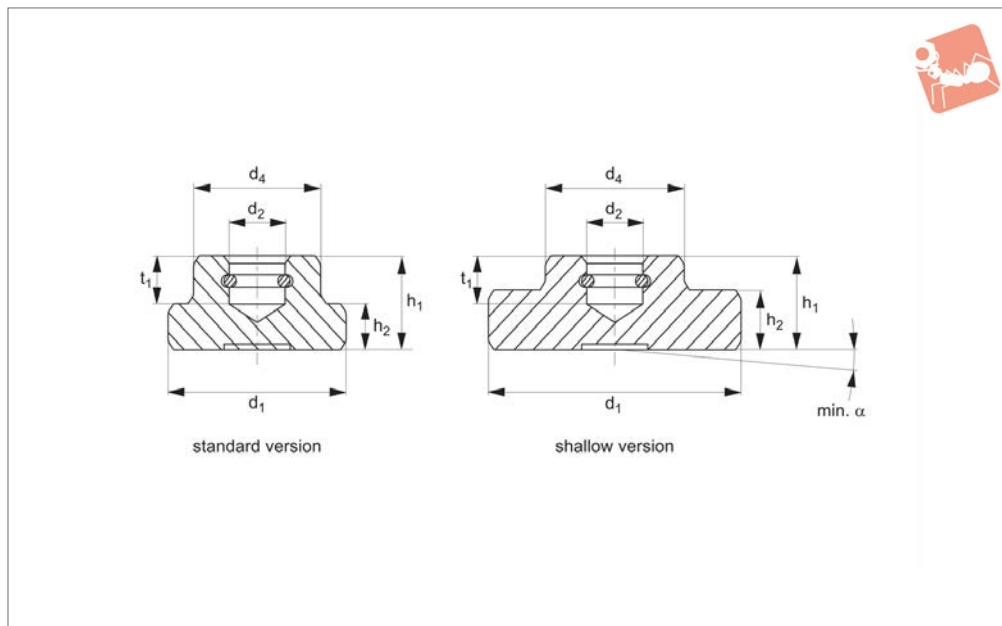
To ease assembly, DIN specification has been amended by addition of radius r\*.

### Technical Notes

The grub screws can be used with thrust

Order No.	Type	d <sub>1</sub>	d <sub>2</sub> tol. h11	d <sub>3</sub>	l <sub>1</sub>	l <sub>2</sub> ≈	l <sub>3</sub> ≈	n	z <sub>2</sub>	z <sub>3</sub>	A/F	Weight g
34500.W0061	Slotted	M 6	4.5	4.0	30	32.1	-	1.0	6.0	2.5	-	4.5
34500.W0062	Slotted	M 6	4.5	4.0	50	52.1	-	1.0	6.0	2.5	-	7.8
34500.W0081	Slotted	M 8	6.0	5.4	40	43.0	42.5	1.2	7.5	3.0	-	11.0
34500.W0082	Slotted	M 8	6.0	5.4	60	63.0	62.5	1.2	7.5	3.0	-	17.0
34500.W0101	Slotted	M10	8.0	7.2	60	63.6	62.6	1.6	9.0	4.5	-	27.0
34500.W0102	Slotted	M10	8.0	7.2	80	83.6	82.6	1.6	9.0	4.5	-	37.0
34500.W0121	Slotted	M12	8.0	7.2	60	64.6	62.6	2.0	10.0	4.5	-	38.0
34500.W0122	Slotted	M12	8.0	7.2	80	84.6	82.6	2.0	10.0	4.5	-	51.0
34500.W0123	Slotted	M12	8.0	7.2	100	104.6	102.6	2.0	10.0	4.5	-	65.0
34500.W0161	Slotted	M16	12.0	11.0	80	85.4	82.9	2.5	12.0	5.0	-	100.0
34500.W0162	Slotted	M16	12.0	11.0	100	105.4	102.9	2.5	12.0	5.0	-	126.0
34500.W0163	Slotted	M16	12.0	11.0	125	130.4	127.9	2.5	12.0	5.0	-	160.0
34500.W0201	Slotted	M20	15.5	14.4	100	105.5	-	3.0	14.0	5.5	-	190.0
34500.W0202	Slotted	M20	15.5	14.4	125	130.5	-	3.0	14.0	5.5	-	240.0
34500.W0203	Slotted	M20	15.5	14.4	150	155.5	-	3.0	14.0	5.5	-	290.0
34500.W0361	Internal Hexagon	M 6	4.5	4.0	30	32.1	-	-	6.0	2.5	3	4.3
34500.W0362	Internal Hexagon	M 6	4.5	4.0	50	52.1	-	-	6.0	2.5	3	7.6
34500.W0381	Internal Hexagon	M 8	6.0	5.4	40	43.0	42.5	-	7.5	3.0	4	11.0
34500.W0382	Internal Hexagon	M 8	6.0	5.4	60	63.0	62.5	-	7.5	3.0	4	17.0
34500.W0401	Internal Hexagon	M10	8.0	7.2	60	63.6	62.6	-	9.0	4.5	5	26.0
34500.W0402	Internal Hexagon	M10	8.0	7.2	80	83.6	82.6	-	9.0	4.5	5	36.0
34500.W0421	Internal Hexagon	M12	8.0	7.2	60	64.6	62.6	-	10.0	4.5	6	36.0
34500.W0422	Internal Hexagon	M12	8.0	7.2	80	84.6	82.6	-	10.0	4.5	6	57.0
34500.W0423	Internal Hexagon	M12	8.0	7.2	100	104.6	102.6	-	10.0	4.5	6	64.0
34500.W0461	Internal Hexagon	M16	12.0	11.0	80	85.4	82.9	-	12.0	5.0	8	91.0
34500.W0462	Internal Hexagon	M16	12.0	11.0	100	105.4	102.9	-	12.0	5.0	8	118.0
34500.W0463	Internal Hexagon	M16	12.0	11.0	125	130.4	127.9	-	12.0	5.0	8	150.0
34500.W0501	Internal Hexagon	M20	15.5	14.4	100	105.5	-	-	14.0	5.5	10	182.0
34500.W0502	Internal Hexagon	M20	15.5	14.4	125	130.5	-	-	14.0	5.5	10	233.0
34500.W0503	Internal Hexagon	M20	15.5	14.4	150	155.5	-	-	14.0	5.5	10	284.0





## 34520

THRUST SCREWS

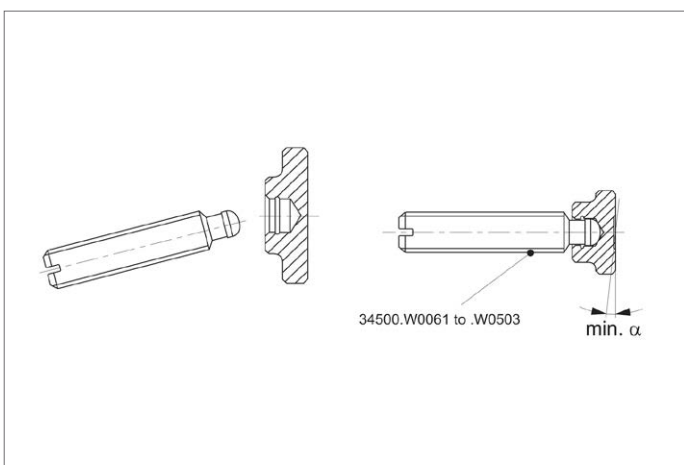
### Material

Case-hardened steel, spring retainer inserted.

### Technical Notes

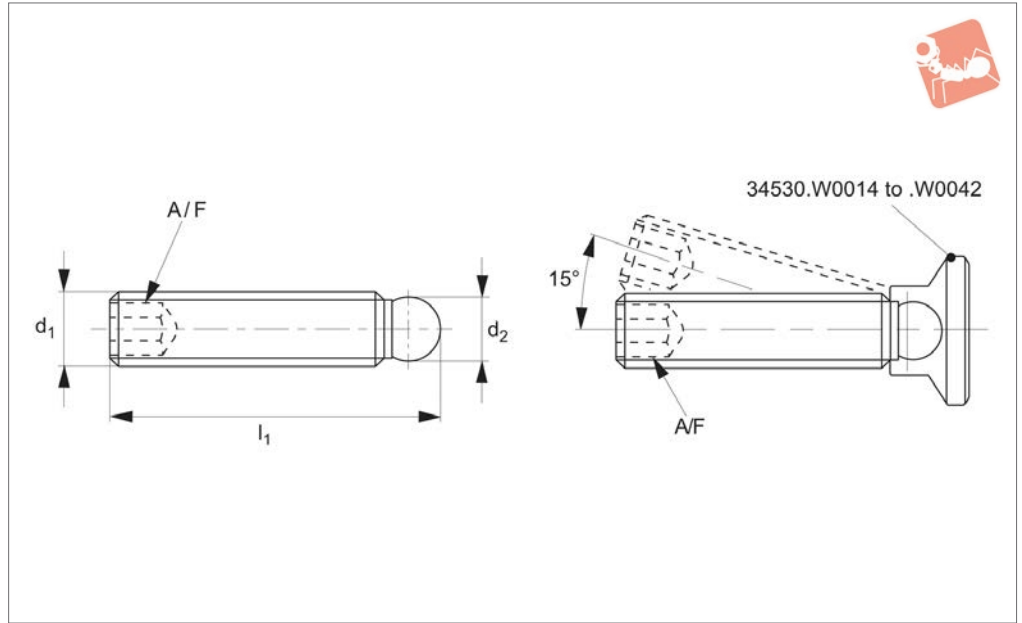
For use with grub screws part no. 34500<X\34500#26>.

Order No.	Type	d <sub>1</sub>	d <sub>2</sub> tol. H12	d <sub>4</sub>	h <sub>1</sub>	h <sub>2</sub>	t <sub>1</sub>	α °	For grub screws 34500	Weight g
34520.W0012	Standard	12	4.6	10	7	2.5	4.0	7	M 6	4.3
34520.W0016	Standard	16	6.1	12	9	4.0	5.0	4	M 8	9.4
34520.W0020	Standard	20	8.1	15	11	5.0	6.0	3	M10	18.0
34520.W0025	Standard	25	8.1	18	13	6.0	7.0	3	M12	30.0
34520.W0032	Standard	32	12.1	22	15	7.0	7.5	5	M16	59.0
34520.W0040	Standard	40	15.6	28	16	9.0	8.0	4	M20	106.0
34520.W0425	Shallow	25	6.1	12	8	4.0	4.5	4	M 8	18.0
34520.W0432	Shallow	32	8.1	18	10	6.0	6.0	3	M10/M12	43.0
34520.W0440	Shallow	40	12.1	22	12	7.0	7.0	5	M16	75.0





## 34540



**Material**

stainless steel 1.4305 (AISI 303).

34530#26>.

**Steel type:**

free cutting steel, quality 5.8, blackened.

**Technical Notes**

Can be used with thrust pads no. 34530<X\

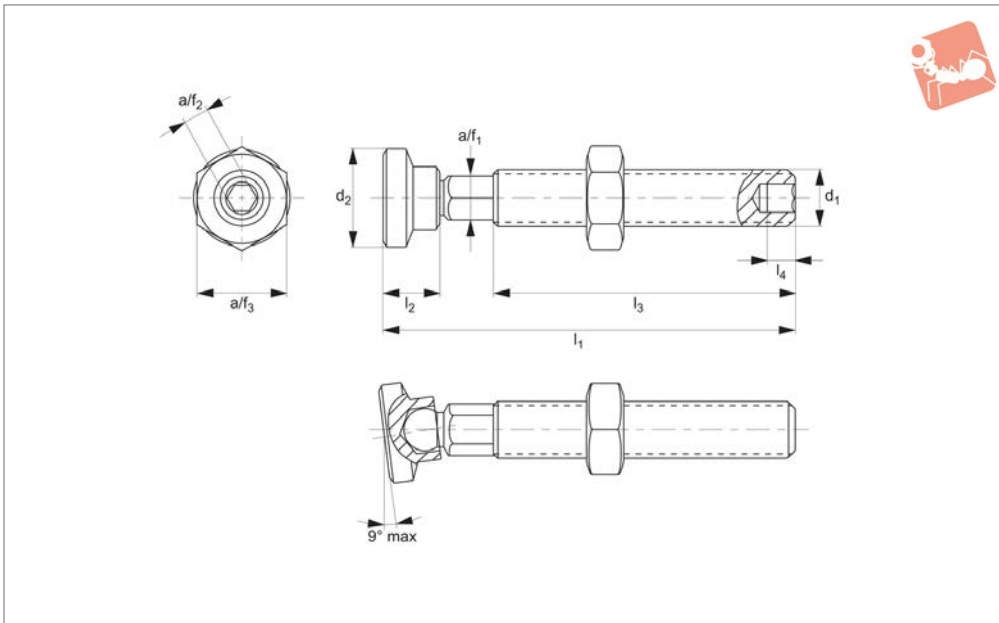
**Stainless steel type:**

Order No.	Material	d <sub>1</sub>	d <sub>2</sub> +0.05	l <sub>1</sub>	A/F	Weight g
34540.W0210	Steel	M 6	4.47	30	3	5.1
34540.W0214	Steel	M 6	4.47	40	3	5.9
34540.W0218	Steel	M 6	4.47	50	3	7.6
34540.W0219	Steel	M 8	6.10	25	4	5.8
34540.W0220	Steel	M 8	6.10	40	4	11.0
34540.W0224	Steel	M 8	6.10	50	4	14.0
34540.W0228	Steel	M 8	6.10	63	4	18.0
34540.W0248	Steel	M10	7.80	40	5	16.0
34540.W0250	Steel	M10	7.80	50	5	21.0
34540.W0254	Steel	M10	7.80	63	5	27.0
34540.W0258	Steel	M10	7.80	80	5	36.0
34540.W0316	Steel	M12	9.40	40	6	23.0
34540.W0320	Steel	M12	9.40	63	6	39.0
34540.W0324	Steel	M12	9.40	80	6	51.0
34540.W0328	Steel	M12	9.40	100	6	65.0
34540.W0710	Stainless	M 6	4.47	30	3	5.1
34540.W0714	Stainless	M 6	4.47	40	3	5.9
34540.W0718	Stainless	M 6	4.47	50	3	7.6
34540.W0719	Stainless	M 8	6.10	25	4	5.8
34540.W0720	Stainless	M 8	6.10	40	4	11.0
34540.W0724	Stainless	M 8	6.10	50	4	14.0
34540.W0728	Stainless	M 8	6.10	63	4	18.0
34540.W0748	Stainless	M10	7.80	40	5	16.0
34540.W0750	Stainless	M10	7.80	50	5	21.0
34540.W0754	Stainless	M10	7.80	63	5	27.0
34540.W0758	Stainless	M10	7.80	80	5	36.0
34540.W0816	Stainless	M12	9.40	40	6	23.0
34540.W0820	Stainless	M12	9.40	63	6	39.0
34540.W0824	Stainless	M12	9.40	80	6	51.0
34540.W0828	Stainless	M12	9.40	100	6	65.0



# Thrust Pads - Self Levelling plastic

# Thrust Screws



**34544**

THRUST SCREWS

**Material**

Ball: stainless steel 1.4305  
Nut: stainless steel A2

Pad: Plastic (PEEK), blue

suitable for non-parallel surfaces.

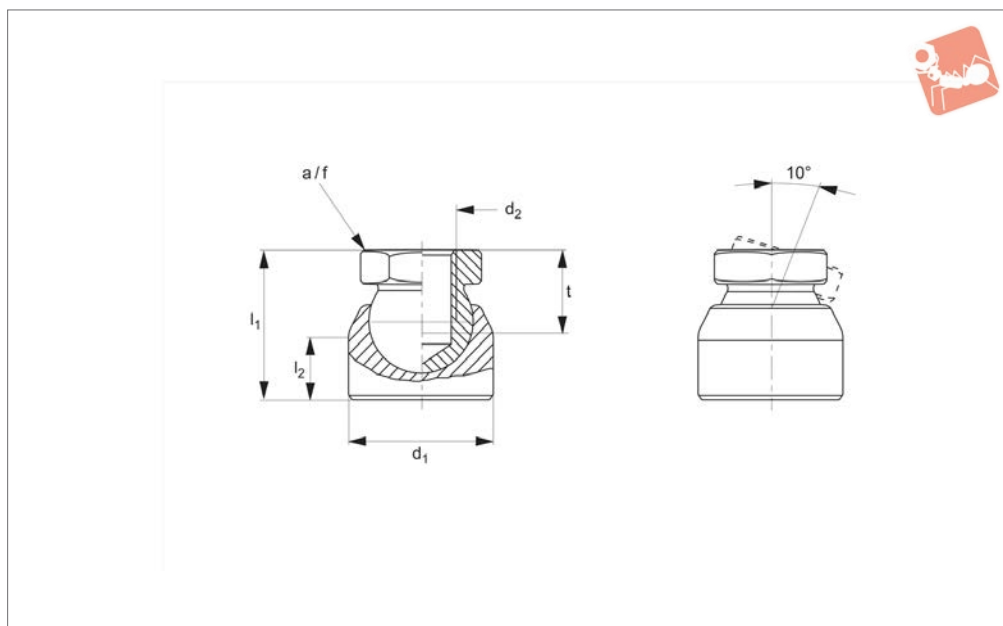
**Tips**

For use on high quality surfaces, design is

Order No.	d <sub>1</sub>	d <sub>2</sub>	l <sub>1</sub>	l <sub>2</sub>	l <sub>3</sub>	l <sub>4</sub>	A/F <sub>1</sub>	A/F <sub>2</sub>	A/F <sub>3</sub>	Weight g
<b>34544.W0005</b>	M 5	8.5	37.0	5.0	27.0	2.5	4.0	2.5	8	6
<b>34544.W0006</b>	M 6	8.5	44.0	5.0	31.5	3.0	4.5	3.0	10	9
<b>34544.W0008</b>	M 8	12.5	63.3	8.7	49.0	4.0	6.0	4.0	13	25
<b>34544.W0010</b>	M10	12.5	73.3	8.7	68.9	5.0	8.0	5.0	17	48
<b>34544.W0012</b>	M12	16.8	84.4	12.0	64.3	6.0	9.0	6.0	19	74
<b>34544.W0016</b>	M16	16.8	84.4	12.0	64.0	8.0	11.0	8.0	24	125



**34600**



**Material**

Steel, tensile strength 500N/mm<sup>2</sup>, zinc plated, blue passivated.

**Important Notes**

Pad swivels 10° from vertical in all directions.

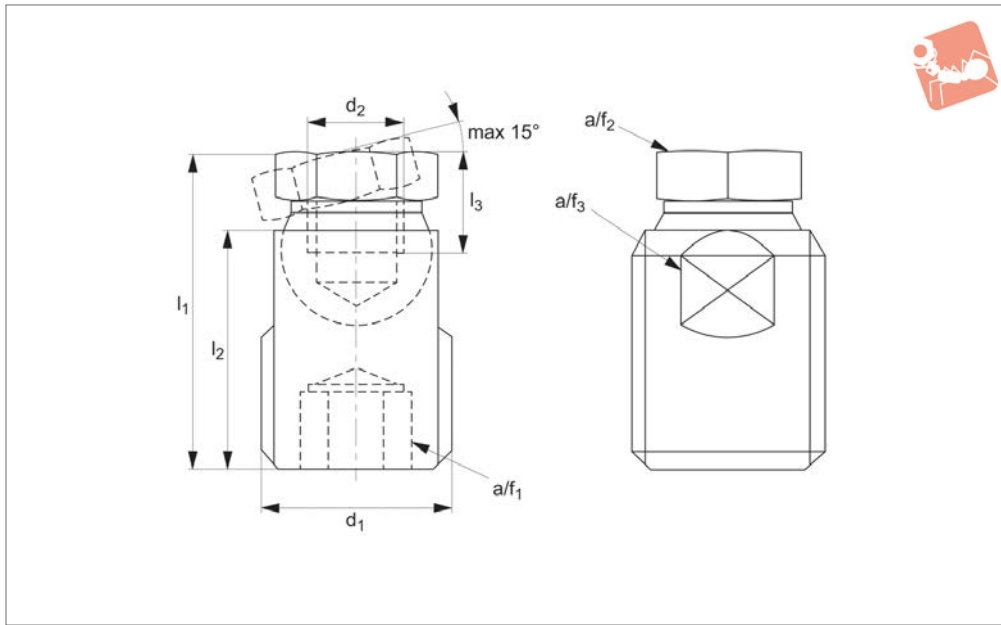
Order No.	d <sub>1</sub>	d <sub>2</sub>	l <sub>1</sub> ≈	l <sub>2</sub>	t min.	Static load N	A/F
34600.W0016	16	M 8	19	7	9	5000	12
34600.W0020	20	M10	22	8	11	7500	15
34600.W0024	24	M12	25	10	12	10000	17
34600.W0030	30	M16	34	13	16	15000	24





# Compact Levelling Fulcrum Screw

# Thrust Screws



**34602**

THRUST SCREWS

**Material steel type:**

Body: heat treated steel, tempered, blackened.  
Ball: free cutting steel, induction hardened.

**Stainless steel type:** Body and ball: stainless steel 1.4305 (AISI 1303)

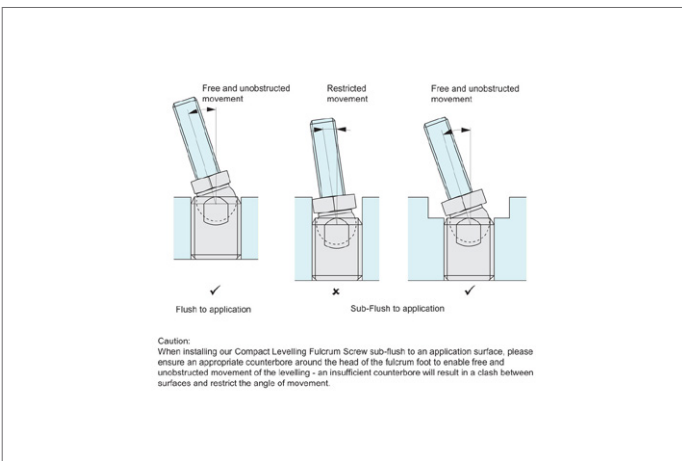
**Technical Notes**

Can be used as foot or thrust pad.  
Compact design for simple levelling by

means of the spanner flat at the bushing or preferably by means of a hexagon socket.

**Should only be used for static loads**

Order No.	Finish	d <sub>1</sub>	d <sub>2</sub>	l <sub>1</sub> ±0.5	l <sub>2</sub>	l <sub>3</sub> min.	A/F <sub>1</sub>	A/F <sub>2</sub>	A/F <sub>3</sub>	Static load kN max.	Weight g
34602.W0006	Steel	M12	M 6	21.2	16	5.0	6	9	10	10	11
34602.W0008	Steel	M16	M 8	26.5	20	7.0	8	12	14	18	24
34602.W0010	Steel	M24	M10	39.9	30	9.0	12	19	20	35	87
34602.W0012	Steel	M24	M12	39.9	30	9.0	12	19	20	35	82
34602.W0016	Steel	M30x2	M16	47.4	36	13.5	12	24	27	45	165
34602.W0206	Stainless	M12	M 6	21.2	16	5.0	6	9	10	8	11
34602.W0208	Stainless	M16	M 8	26.5	20	7.0	8	12	14	14	24
34602.W0210	Stainless	M24	M10	39.9	30	9.0	12	19	20	28	87
34602.W0212	Stainless	M24	M12	39.9	30	9.0	12	19	20	28	82
34602.W0216	Stainless	M30x2	M16	47.4	36	13.5	12	24	27	36	165





## A Range of features to suit your application

### Product selection

To ensure you select the most suitable levelling feet for your application consider the following questions:

- Tilting or fixed?
- Material required - steel, stainless or plastic?
- Load carrying capacity - light, medium or heavy duty?  
(Review the quoted load capacities in the individual product tables).
- Bolt down feature required?
- Threaded or plastic insert required for mounting?
- Optional extras: hygiene seal, rubber pad, (subject to minimum quantity and selected model).

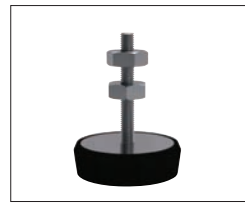
### Key types



Fixed feet



Articulating levelling feet



Machine mounts



Fulcrum screw

### Available features



Articulation



Standard nylon base



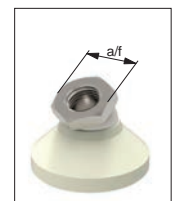
Anti-slip base



Bolt down base



Hygienic seal



Hex for easy installation

### Materials



Steel thread - Nylon base



Stainless thread - Nylon base



Steel thread - Steel base



Stainless thread - Stainless base

### Mounting inserts



Weldable insert



Hollow section insert



Hollow section bushed insert

### Additional technical information



▶ For applications under greater loads and requiring increased precision of adjustment see our range of Precision Height Adjusters.

▶ For applications exposed to extreme vibrations see our range of Anti-Vibration Mounts.

