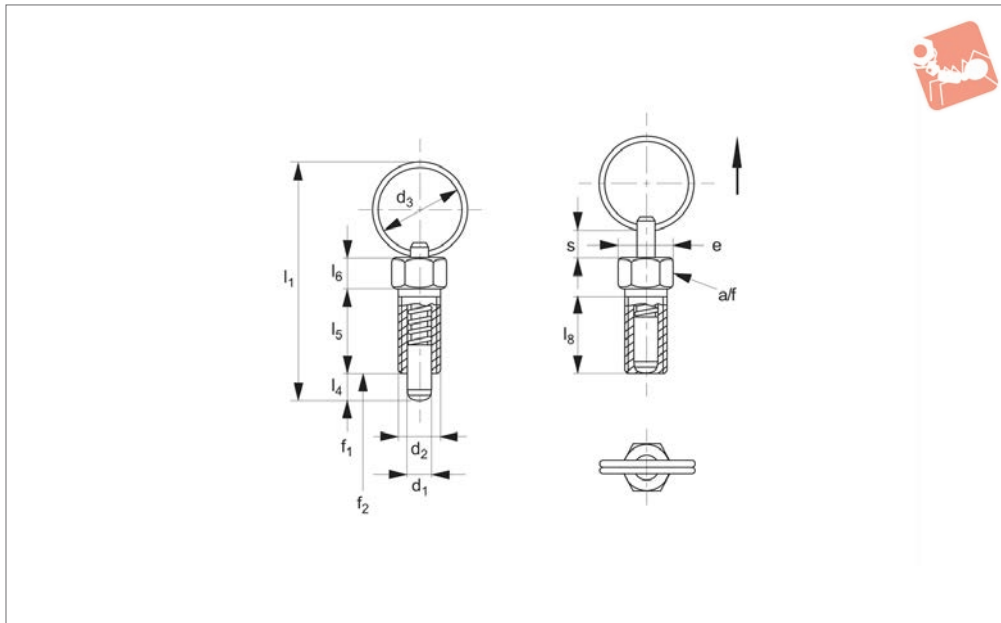


Index Plungers - Pull Ring

non-locking - coarse thread

Index Plunger & Pins



32550

INDEX PLUNGER & PINS

Material

Body: free cutting steel, galvanized.
 Pin: stainless steel 1.4305 (AISI 303).
 Pull Ring: stainless steel 1.4310 (AISI 301).

not required.

Coarse thread.

Temperature resistance up to 250°C

Lock nuts sold separately. See products 65690 and 65692

Technical Notes

For applications where high precision is

Tips

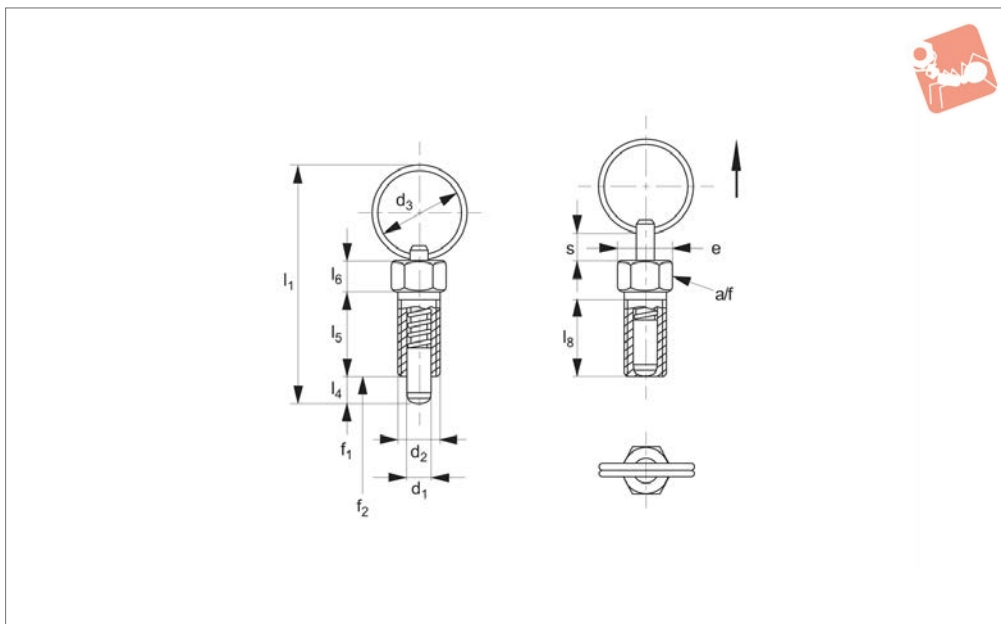
Spring loads * = statistical average

Order No.	Type	d ₁ tol. h9	d ₂	d ₃	e	l ₁	l ₄ =s min.	l ₅	l ₆	l ₈	A/F	Spring load		Tightening torque Nm max.	Weight g
												F ₁ N ≈	F ₂ N ≈		
32550.W0723	Non Locking	3	M 6x1,00	14	6,9	34,0	3,5	12	4,5	10,0	6	3	12	2	3,2
32550.W0724	Non Locking	4	M 6x1,00	14	6,9	34,5	4	12	4,5	10,0	6	3	12	2	3,6
32550.W0725	Non Locking	5	M 8x1,25	18	9,2	45,0	5	15	6,0	13,5	8	5	24	7	8,4
32550.W0726	Non Locking	6	M10x1,50	24	11,5	57,5	6	20	7,5	17,0	10	5	21	15	17,0
32550.W0728	Non Locking	8	M12x1,75	30	13,8	71,0	8	24	9,0	20,5	12	6	22	20	31,0





32551



Material

Body: stainless steel 1.4305 (AISI 303).
 Pin: stainless steel 1.4305 (AISI 303).
 Pull ring: stainless steel 1.4310 (AISI 301).

Coarse thread.

Temperature resistance up to 250°C
Lock nuts sold separately. See products 65690 and 65692

Technical Notes

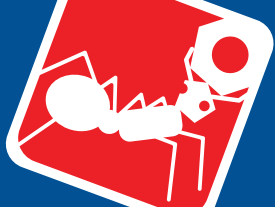
For applications where high precision is not required.

Tips

Spring loads * = statistical average.

Order No.	Type	d_1 tol. h9	d_2	d_3	e	l_1	$l_4 = s$ min.	l_5	l_6	l_8	A/F	Spring load		Tightening torque Nm max.	Weight g
												F_1 N ≈	F_2 N ≈		
32551.W0773	Non Locking	3	M 6x1,00	14	6,9	34,0	3,5	12	4,5	10,0	6	3	12	2	3,2
32551.W0774	Non Locking	4	M 6x1,00	14	6,9	34,5	4	12	4,5	10,0	6	3	12	2	3,6
32551.W0775	Non Locking	5	M 8x1,25	18	9,2	45,0	5	15	6,0	13,5	8	5	24	7	8,4
32551.W0776	Non Locking	6	M10x1,50	24	11,5	57,5	6	20	7,5	17,0	10	5	21	15	17,0
32551.W0778	Non Locking	8	M12x1,75	30	13,8	71,0	8	24	9,0	20,5	12	6	22	30	31,0





A Wide Selection of Solutions

- Locating and positioning.
- Indexing.
- Securing.
- Positive locking.
- Rapid adjustment of all kinds of tables, platforms and fixtures.
- Machine and fixture design.
- OEM products.
- Sports equipment.
- Medical aides (wheelchairs etc.).
- Aerospace.
- Machine cabinets.

Applications

Materials

Locking or Non Locking

Handling and Actuation Methods

Mounting Options

Additional Technical Notes

Spring Loads



Steel with plastic grip



Stainless with plastic grip



Stainless body and grip



Locking (park)



Non locking (spring back)



Push pull



Standard grip



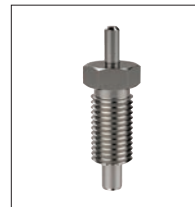
Lever grip



T-handle



Pull ring



Threaded for bespoke handle



Fine threaded (standard)



Coarse thread



Flange mount



Thin wall mount



Weldable

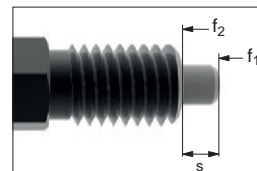
- Unless otherwise stated, grips on index plungers are not removable.
- Many of the pins on index plungers are toleranced to either the pin or the hole. Please refer to the specific product table.
- Index plungers are not recommended for shear load applications.

	Pin Tol.	Hole Tol.
①	h_9	+0,03 +0,08
②	-0,02 -0,04	H_7

s Stroke, or movement of plunger's pin.

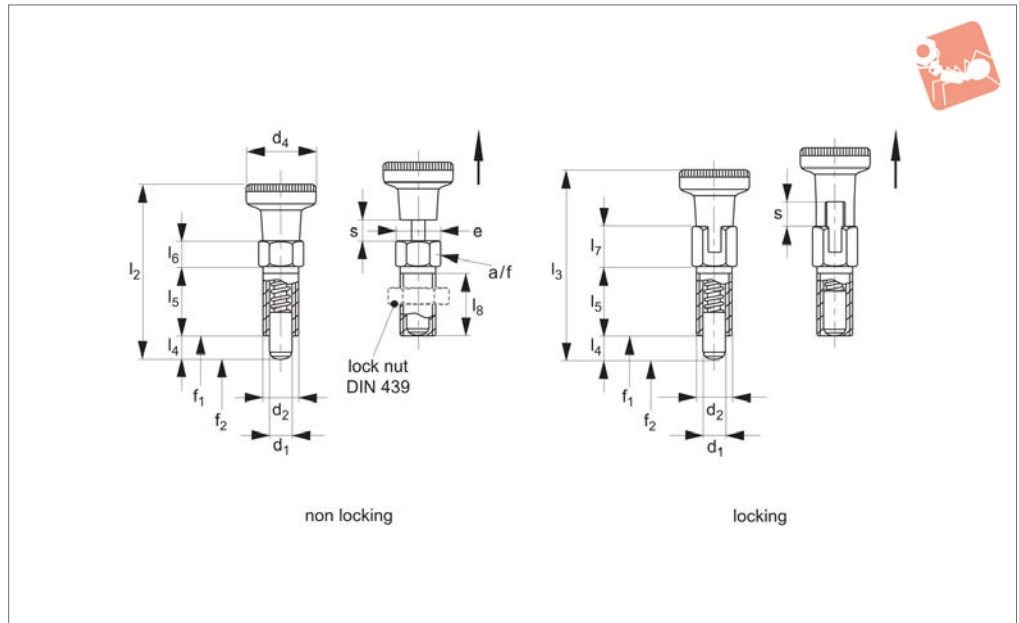
f₁ The force required in Newtons (N) to overcome the static strength of the spring and achieve initial movement of the plunger's pin.

f₂ The force required in Newtons (N) to fully compress the spring until the pin is fully depressed against the plunger's body.





32570



Material

Body: steel, galvanized.
Pin: stainless steel 1.4305 (AISI 303).
Grip: thermoplastic PA 6, black.

back grip, turn 90° to engage ,locking' on a notched catch.
„Non Locking“ type- pin simply springs back when grip released.

Temperature resistance -30° C to +80° C.
Lock nuts sold separately. See products 65690 and 65692

Technical Notes

„Locking“ type- enable pin to be held in retracted/non-projecting position; pull

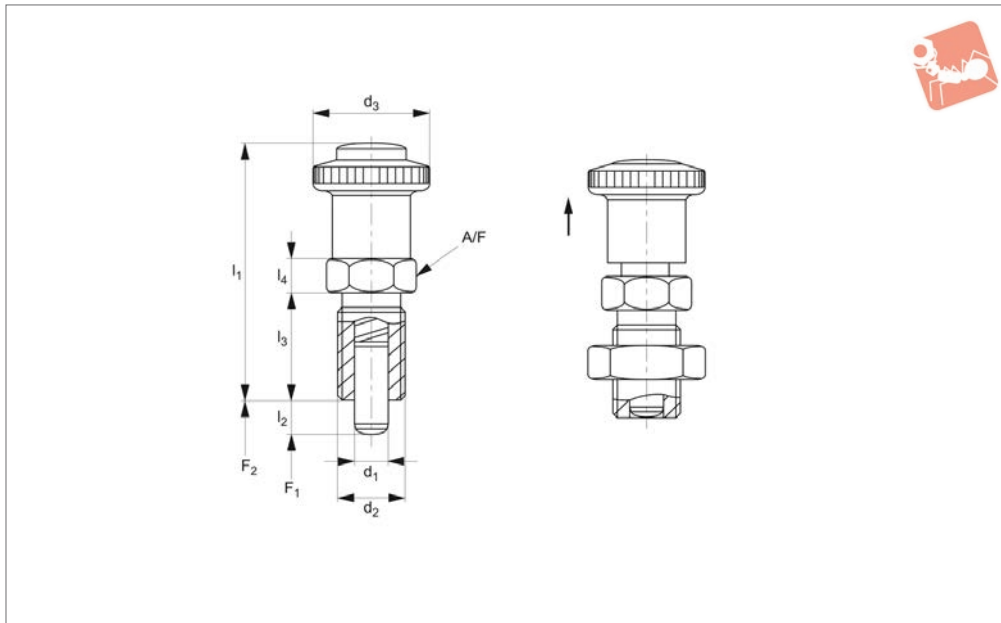
For applications where high precision is not required.
Coarse thread.

Tips

Grip non-removable.
Spring loads * = statistical average.

Order No.	Type	Material	d ₁	d ₂	d ₄	l ₂	l ₃	Weight g
32570.W0743	Non Lock	-	3	M 6x1,00	12	30.0	-	3.6
32570.W0744	Non Lock	Steel	4	M 6x1,00	12	30.5	-	4.0
32570.W0745	Non Lock	Steel	5	M 8x1,25	16	40.0	-	9.2
32570.W0746	Non Lock	Steel	6	M10x1,50	18	49.0	-	18.0
32570.W0748	Non Lock	Steel	8	M12x1,75	21	59.0	-	32.0
32570.W0763	Lock	-	3	M 6x1,00	12	-	32.5	3.8
32570.W0764	Lock	Steel	4	M 6x1,00	12	-	33.0	4.2
32570.W0765	Lock	Steel	5	M 8x1,25	16	-	43.5	9.8
32570.W0766	Lock	Steel	6	M10x1,50	18	-	52.0	18.0
32570.W0768	Lock	Steel	8	M12x1,75	21	-	63.5	32.0

Order No.	l ₄ =s	l ₅	l ₆	l ₇	l ₈	e	A/F	Spring load F ₁ N	Spring load F ₂ N	Tightening torque Nm
32570.W0743	3.5	12	4.5	-	10.0	6.9	6	3	12	2
32570.W0744	4	12	4.5	-	10.0	6.9	6	3	12	2
32570.W0745	5	16	6.0	-	13.5	9.2	8	5	24	7
32570.W0746	6	20	7.5	-	17.0	11.5	10	5	21	15
32570.W0748	8	24	9.0	-	20.5	13.8	12	6	22	20
32570.W0763	3.5	12	-	7.0	10.0	6.9	6	3	12	2
32570.W0764	4	12	-	7.0	10.0	6.9	6	3	12	2
32570.W0765	5	16	-	9.5	13.5	9.2	8	5	24	7
32570.W0766	6	20	-	10.5	17.0	11.5	10	5	21	15
32570.W0768	8	24	-	13.5	20.5	13.8	12	6	22	20



32494

INDEX PLUNGER & PINS

Material

Body: steel, blackened or stainless steel 1.4305.

Knob: thermoplastic, black-grey, matt.

Button: thermoplastic POM, red.

Locking pin: steel, hardened or stainless steel, nickel-plated.

Technical Notes

Press red button and hold whilst pulling

knob to release pin.

Temperature range -30 to +80°C.

Tips

Knob is non removable.

Lock nuts available separately.

Used with:

32510 Mounting blocks.

32700 Lock nut .

32750 Distance collars.

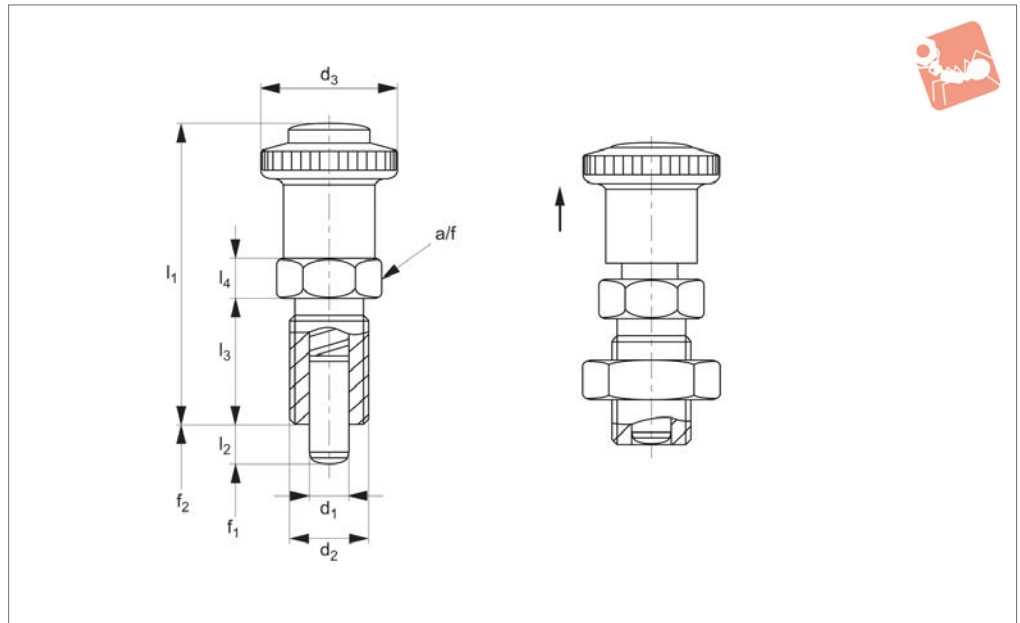
32752 Locating bushes.

32753 Locating bushes.

Order No.	Type	d_1 -0.02 -0.04	d_2	d_3	l_1 ≈	l_2 min.	l_3	l_4	A/F	Spring load F_1 N ≈	Spring load F_2 N ≈	Weight g
32494.W0005	Steel	6	M12x1,5	28	56	6	22	6	19	6.5	19	44
32494.W0010	Steel	6	M12x1,5	28	56	9	22	6	19	6.0	25	45
32494.W0015	Steel	8	M16x1,5	28	62	8	26	8	19	8.5	26	70
32494.W0020	Steel	8	M16x1,5	28	62	12	26	8	19	8.5	28	72
32494.W0025	Steel	10	M16x1,5	28	62	12	26	8	19	9.5	38	74
32494.W0105	Stainless	6	M12x1,5	28	56	6	22	6	19	6.5	19	44
32494.W0110	Stainless	6	M12x1,5	28	56	9	22	6	19	6.0	25	45
32494.W0115	Stainless	8	M16x1,5	28	62	8	26	8	19	8.5	26	70
32494.W0120	Stainless	8	M16x1,5	28	62	12	26	8	19	8.5	28	72
32494.W0125	Stainless	10	M16x1,5	28	62	12	26	8	19	9.5	38	74



32495



Material

Body:
 Steel: Steel, blackened.
 Stainless: Stainless steel 1.4305.
 Knob: thermoplastic, black-grey, matt.
 Button: thermoplastic POM, red.
 Locking pin. Steel: hardened.
 Stainless: stainless steel 1.4305, nickel-plated.

Technical Notes

Pull knob up, red button flush = pin locked.
 Press red button, red button out = pin unlocked.
 Temperature range -30 to +80 °C.

Tips

Knob is non removable.
 Lock nuts available separately.

Used with:
 32510 Mounting blocks.
 32700 Lock nut .
 32750 Distance collars.
 32752 Locating bushes.
 32753 Locating bushes.

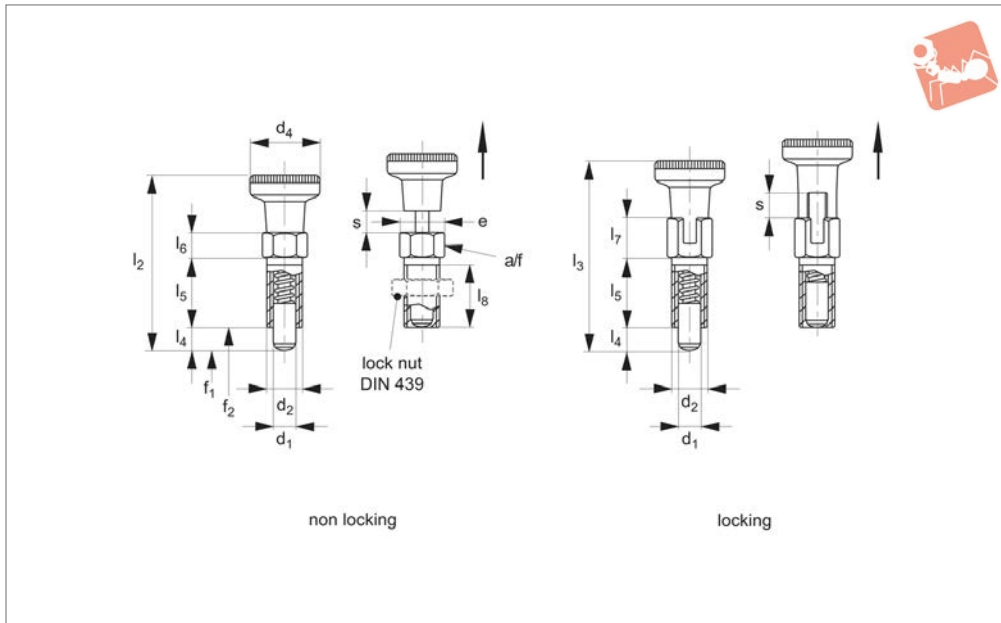
Order No.	Type	d_1 -0.02 -0.04	d_2	d_3	l_1 ≈	l_2 min.	l_3	l_4	A/F	Spring load F_1 N ≈	Spring load F_2 N ≈	Weight g
32495.W0205	Steel	6	M12x1,5	30	53.5	6	22	6	19	6.5	19	47
32495.W0210	Steel	6	M12x1,5	30	53.5	9	22	6	19	6.0	25	48
32495.W0215	Steel	8	M16x1,5	30	59.5	8	26	8	19	8.5	26	74
32495.W0220	Steel	8	M16x1,5	30	59.5	12	26	8	19	8.5	28	77
32495.W0225	Steel	10	M16x1,5	30	59.5	12	26	8	19	9.5	38	78
32495.W0305	Stainless	6	M12x1,5	30	53.5	6	22	6	19	6.5	19	47
32495.W0310	Stainless	6	M12x1,5	30	53.5	9	22	6	19	6.0	25	48
32495.W0315	Stainless	8	M16x1,5	30	59.5	8	26	8	19	8.5	26	74
32495.W0320	Stainless	8	M16x1,5	30	59.5	12	26	8	19	8.5	28	77
32495.W0325	Stainless	10	M16x1,5	30	59.5	12	26	8	19	9.5	38	78



Index Plungers - Pull Grip

stainless - coarse thread

Index Plunger & Pins



32571

INDEX PLUNGER & PINS

Material

Body: stainless steel 1.4305 (AISI 303).
Pin: stainless steel 1.4305 (AISI 303).
Grip: thermoplastic PA 6, black.

Technical Notes

„Locking“ type- enable pin to be held in

retracted/non-projecting position; pull back grip, turn 90° to engage „locking“ on a notched catch.

„Non Locking“ type- pin simply springs back when grip released.

For applications where high precision is

not required.

Coarse thread.

Temperature resistance -30° C to +80° C.

Tips

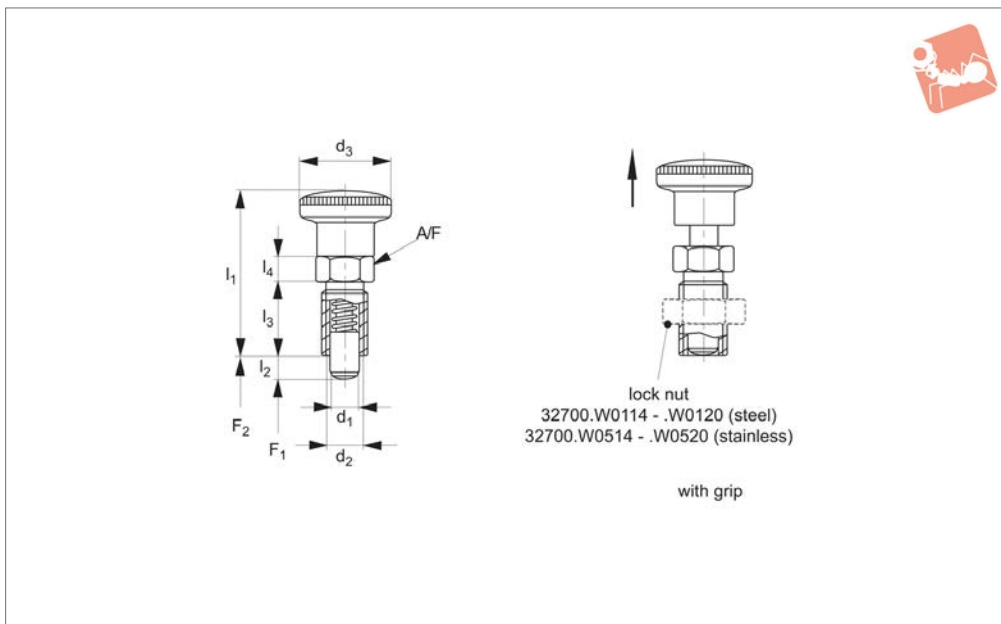
Grip non-removable.

Spring loads * = statistical average.

Order No.	Type	Material	d ₁ tol. h9	d ₂	d ₄	l ₂	l ₃	l ₄ =s min.	l ₅	l ₆	l ₇	l ₈	e	A/F	Spring load F ₁ N ≈	Spring load F ₂ N ≈	Tightening torque Nm max.	Weight g
32571.W0783	Non Lock	Stainless	3	M 6x1,00	12	30,0		3,5	12	4,5	10,0	6,9	6	3	12	2	3,2	
32571.W0784	Non Lock	Stainless	4	M 6x1,00	12	30,5		4,0	12	4,5	10,0	6,9	6	3	12	2	4,0	
32571.W0785	Non Lock	Stainless	5	M 8x1,25	16	40,0		5,0	16	6,0	13,5	9,2	8	5	24	7	9,2	
32571.W0786	Non Lock	Stainless	6	M10x1,50	18	49,0		6,0	20	7,5	17,0	11,5	10	5	21	15	18,0	
32571.W0788	Non Lock	Stainless	8	M12x1,75	21	59,0		8,0	24	9,0	20,5	13,8	12	6	22	20	32,0	
32571.W0793	Lock	Stainless	3	M 6x1,00	12		32,5	3,5	12		7,0	10,0	6,9	6	3	12	2	3,8
32571.W0794	Lock	Stainless	4	M 6x1,00	12		33,0	4,0	12		7,0	10,0	6,9	6	3	12	2	4,2
32571.W0795	Lock	Stainless	5	M 8x1,25	16		43,5	5,0	16		9,5	13,5	9,2	8	5	24	7	9,8
32571.W0796	Lock	Stainless	6	M10x1,50	18		52,0	6,0	20		10,5	17,0	11,5	10	5	21	15	18,0
32571.W0798	Lock	Stainless	8	M12x1,75	21		63,5	8,0	24		13,5	20,5	13,8	12	6	22	20	32,0



32680



Material

Free cutting steel type-

Body: free cutting steel, blackened.

Pin: steel, hardened.

Grip: thermoplastic PA6, black.

Stainless steel type -

Body: stainless steel 1.4305 (AISI 303).

Pin: stainless steel 1.4305 (AISI 303),

nickel plated.

Grip: thermoplastic PA6, black.

Technical Notes

„Non Locking“ type- pin simply springs back when grip released.

Thread recess on body allows full engagement of thread length. Hexagon collar improves leverage for secure installation.

Benefits from a more compact design and hence shorter overall length.

Temperature resistance from -30° to +80°C.

Distance collars no. 32750 can be used to adapt screw length.

Lock nuts sold separately. See products 65690 and 65692

Tips

Grip non-removable.

Spring loads * = statistical average.

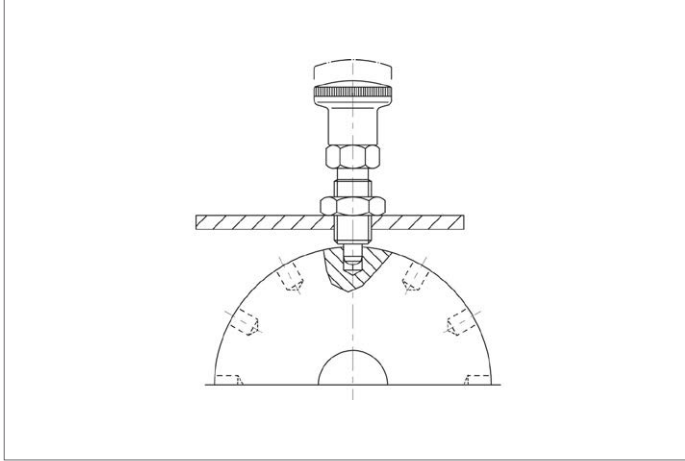
Order No.	Type	Material	d ₁ -0.02 -0.04	d ₂	d ₃	l ₁	l ₂ min.	l ₃	l ₄	A/F	Spring load F ₁ N ≈	Spring load F ₂ N ≈	Weight g
32680.W0103	No Lock	Steel	4	M 8x1,0	16	35.0	4	16	5	10	4.5	12.0	10
32680.W0104	No Lock	Steel	4	M 8x1,0	16	35.0	6	16	5	10	4.0	12.5	10
32680.W0106	No Lock	Steel	5	M10x1,0	19	40.0	5	18	6	12	5.0	15.5	18
32680.W0107	No Lock	Steel	5	M10x1,0	19	40.0	8	18	6	12	5.0	18.0	18
32680.W0109	No Lock	Steel	6	M12x1,5	23	48.0	6	22	6	14	6.5	19.0	29
32680.W0110	No Lock	Steel	6	M12x1,5	23	48.0	9	22	6	14	6.0	25.0	29
32680.W0112	No Lock	Steel	8	M16x1,5	28	58.0	8	26	8	17	8.5	26.0	62
32680.W0113	No Lock	Steel	8	M16x1,5	28	58.0	12	26	8	17	8.5	28.0	62
32680.W0115	No Lock	Steel	10	M16x1,5	28	58.0	12	26	8	17	9.5	38.0	63
32680.W0116	No Lock	Steel	12	M20x1,5	33	67.0	15	33	10	22	11.5	40.0	117
32680.W0117	No Lock	Steel	16	M24x 2	33	78.5	20	38	12	27	13.0	54.0	204
32680.W0203	No Lock	Stainless	4	M 8x1,0	16	35.0	4	16	5	10	4.5	12.0	10
32680.W0204	No Lock	Stainless	4	M 8x1,0	16	35.0	6	16	5	10	4.0	12.5	10
32680.W0206	No Lock	Stainless	5	M10x1,0	19	40.0	5	18	6	12	5.0	15.5	18
32680.W0207	No Lock	Stainless	5	M10x1,0	19	40.0	8	18	6	12	5.0	18.0	18
32680.W0209	No Lock	Stainless	6	M12x1,5	23	48.0	6	22	6	14	6.5	19.0	29
32680.W0210	No Lock	Stainless	6	M12x1,5	23	48.0	9	22	6	14	6.0	25.0	29
32680.W0212	No Lock	Stainless	8	M16x1,5	28	58.0	8	26	8	17	8.5	26.0	62
32680.W0213	No Lock	Stainless	8	M16x1,5	28	58.0	12	26	8	17	8.5	28.0	62
32680.W0215	No Lock	Stainless	10	M16x1,5	28	58.0	12	26	8	17	9.5	38.0	63
32680.W0216	No Lock	Stainless	12	M20x1,5	33	67.0	15	33	10	22	11.5	40.0	117
32680.W0217	No Lock	Stainless	16	M24x 2	33	78.5	20	38	12	27	-	-	204



Index Plungers - Pull Grip

compact - non-locking

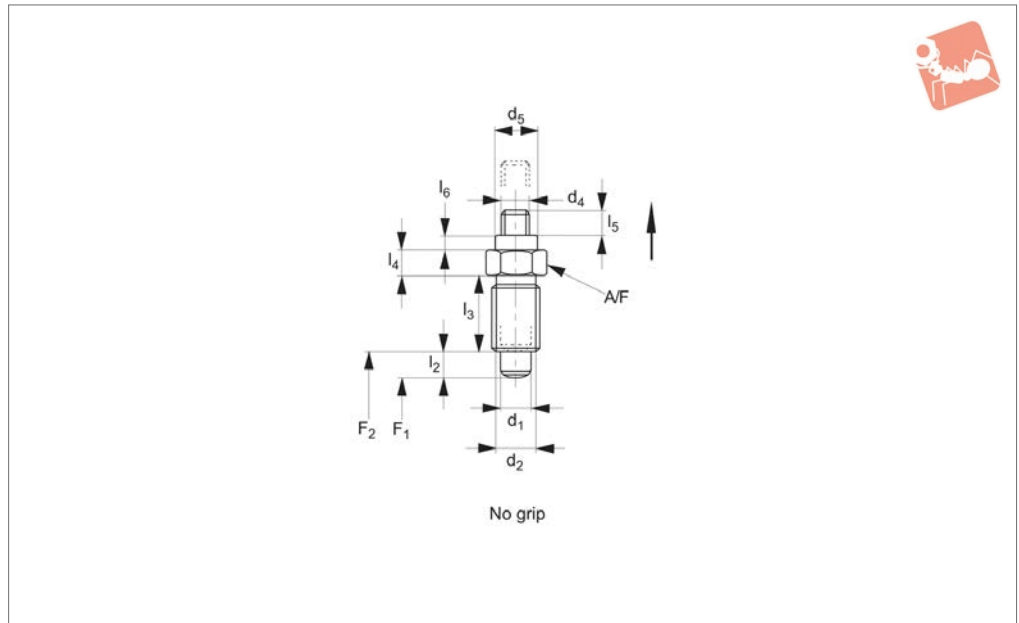
Index Plunger & Pins



INDEX PLUNGER & PINS



32681



Material

Free cutting steel type-

Body: free cutting steel, blackened.
Pin: steel, hardened.

Stainless steel type -

Body: stainless steel 1.4305 (AISI 303).
Pin: stainless steel 1.4305 (AISI 303), nickel plated.

Technical Notes

„Non Locking“ type- pin simply springs

back when grip released.

Thread recess on body allows full engagement of thread length. Hexagon collar improves leverage for secure installation. Benefits from a more compact design and hence shorter overall length. Temperature resistance up to 250°C Distance collars no. 32750 can be used to adapt screw length.

Lock nuts sold separately See products 65690 & 65692

Tips

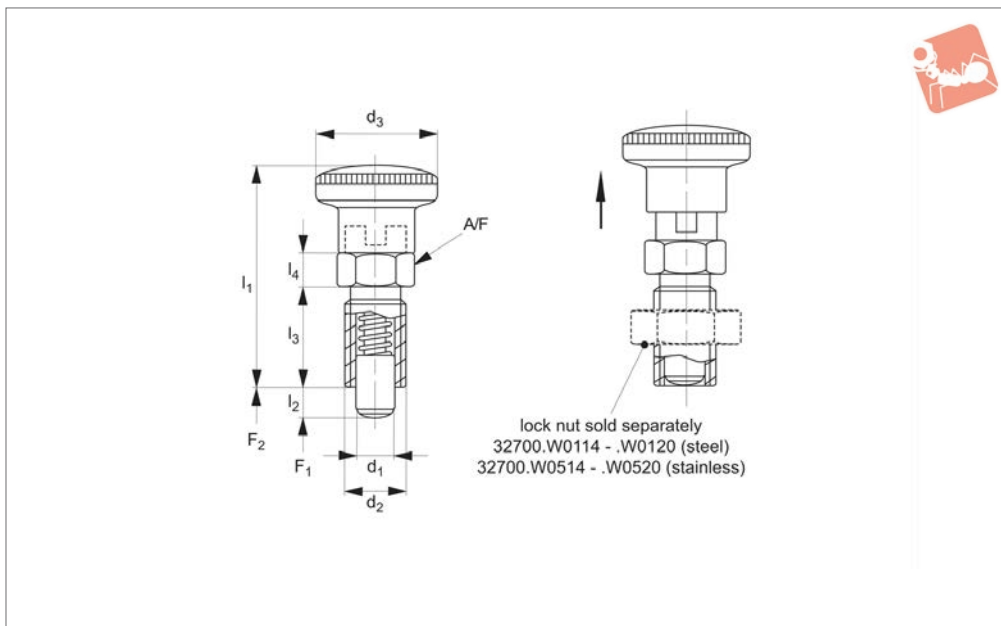
Spring loads * = statistical average. Threaded head of d_4 enables use of larger handle or grip better suited to your application. See palm grip no. 70000, or similar.

Order No.	Type	Material	d_1	d_2	d_4	d_5	l_2	l_3	l_4	l_5	l_6	A/F	Spring load F_1 N	Spring load F_2 N	Weight g
32681.W0143	No Grip	Steel	4	M 8x1,0	M 3	7	4	16	5	4.5	2.5	10	4.5	12.0	9
32681.W0144	No Grip	Steel	4	M 8x1,0	M 3	7	6	16	5	4.5	2.5	10	4.0	12.5	9
32681.W0146	No Grip	Steel	5	M10x1,0	M 4	8	5	18	6	5.5	3.0	12	5.0	15.0	16
32681.W0147	No Grip	Steel	5	M10x1,0	M 4	8	8	18	6	5.5	3.0	12	5.0	18.0	16
32681.W0149	No Grip	Steel	6	M12x1,5	M 5	9	6	22	6	7.0	3.5	14	6.5	19.0	25
32681.W0150	No Grip	Steel	6	M12x1,5	M 5	9	9	22	6	7.0	3.5	14	6.0	25.0	25
32681.W0152	No Grip	Steel	8	M16x1,5	M 6	10	8	26	8	8.5	4.0	17	8.5	26.0	55
32681.W0153	No Grip	Steel	8	M16x1,5	M 6	10	12	26	8	8.5	4.0	17	8.5	28.0	55
32681.W0155	No Grip	Steel	10	M16x1,5	M 6	10	12	26	8	8.5	4.0	17	9.5	38.0	56
32681.W0156	No Grip	Steel	12	M20x1,5	M 6	12	15	33	10	8.5	4.0	22	11.5	40.0	111
32681.W0157	No Grip	Steel	16	M24 x 2	M8	15	20	38	12	11.5	5.0	27	13.0	54.0	194
32681.W0243	No Grip	Stainless	4	M 8x1,0	M 3	7	4	16	5	4.5	2.5	10	4.5	12.0	9
32681.W0244	No Grip	Stainless	4	M 8x1,0	M 3	7	6	16	5	4.5	2.5	10	4.0	12.5	9
32681.W0246	No Grip	Stainless	5	M10x1,0	M 4	8	5	18	6	5.5	3.0	12	5.0	15.0	16
32681.W0247	No Grip	Stainless	5	M10x1,0	M 4	8	8	18	6	5.5	3.0	12	5.0	18.0	16
32681.W0249	No Grip	Stainless	6	M12x1,5	M 5	9	6	22	6	7.0	3.5	14	6.5	19.0	25
32681.W0250	No Grip	Stainless	6	M12x1,5	M 5	9	9	22	6	7.0	3.5	14	6.0	25.0	25
32681.W0252	No Grip	Stainless	8	M16x1,5	M 6	10	8	26	8	8.5	4.0	17	8.5	26.0	55
32681.W0253	No Grip	Stainless	8	M16x1,5	M 6	10	12	26	8	8.5	4.0	17	8.5	28.0	55
32681.W0255	No Grip	Stainless	10	M16x1,5	M 6	10	12	26	8	8.5	4.0	17	9.5	38.0	56
32681.W0256	No Grip	Stainless	12	M20x1,5	M 6	12	15	33	10	8.5	4.0	22	11.5	40.0	111
32681.W0257	No Grip	Stainless	16	M24 x 2	M8	15	20	38	12	11.5	5.0	27	13.0	54.0	194



Index Plungers - Compact compact -locking

Index Plunger & Pins



32690

INDEX PLUNGER & PINS

Material

Free cutting steel type-

Body: free cutting steel, blackened.

Pin: steel, hardened.

Grip: thermoplastic PA6, black.

Stainless steel type -

Body: stainless steel 1.4305 (AISI 303).

Pin: stainless steel 1.4305 (AISI 303), nickel plated.

Grip: thermoplastic PA6, black.

retracted/non-projecting position; pull back grip, turn 90° to engage ,locking' on a notched catch.

Thread recess on body allows full engagement of thread length. Hexagon collar improves leverage for secure installation. Benefits from a more compact design and hence shorter overall length.

Temperature resistance from -30° to +80°C.

adapt screw length.

Lock nuts sold separately See products 65690 & 65692

Tips

Grip non-removable.

Spring loads * = statistical average.

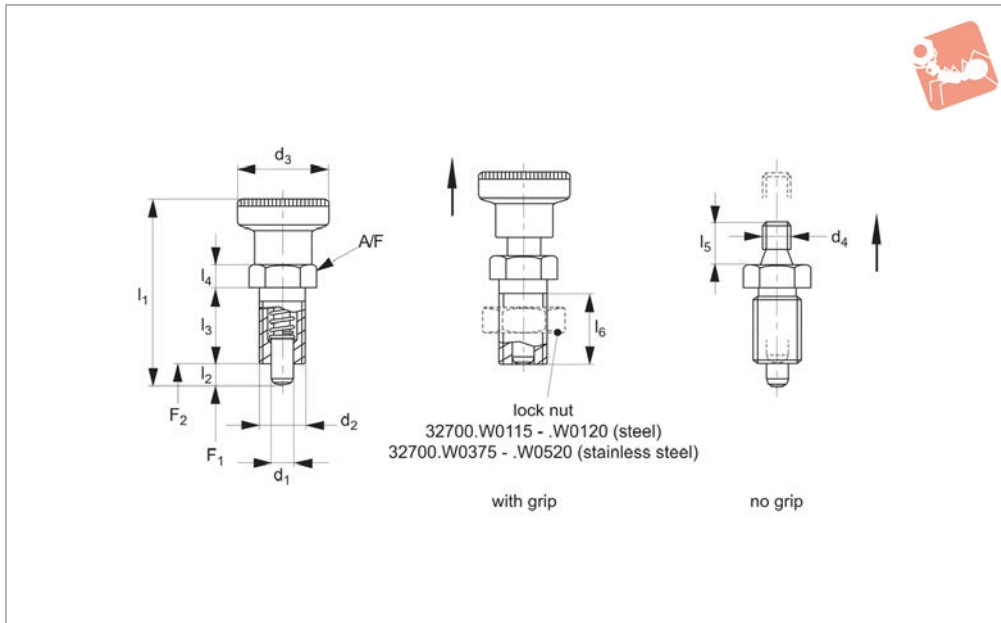
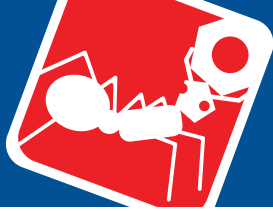
Technical Notes

„Locking“ type- enable pin to be held in

Distance collars no. 32750 can be used to

Order No.	Type	Material	d ₁ -0.02 -0.04	d ₂	d ₃	l ₁	l ₂ min.	l ₃	l ₄	A/F	Spring load F ₁ N ≈	Spring load F ₂ N ≈	Weight g
32690.W0123	Locking	Steel	4	M 8x1,0	16	35	4	16	5	10	4.5	12.0	12.0
32690.W0124	Locking	Steel	4	M 8x1,0	16	35	6	16	5	10	4.0	12.5	12.0
32690.W0126	Locking	Steel	5	M10x1,0	19	40	5	18	6	12	5.0	15.0	20.0
32690.W0127	Locking	Steel	5	M10x1,0	19	40	8	18	6	12	5.0	18.0	20.0
32690.W0129	Locking	Steel	6	M12x1,5	23	48	6	22	6	14	6.5	19.0	31.0
32690.W0130	Locking	Steel	6	M12x1,5	23	48	9	22	6	14	6.0	25.0	33.0
32690.W0132	Locking	Steel	8	M16x1,5	28	58	8	26	8	17	8.5	26.0	65.0
32690.W0133	Locking	Steel	8	M16x1,5	28	58	12	26	8	17	8.5	28.0	68.0
32690.W0135	Locking	Steel	10	M16x1,5	28	58	12	26	8	17	9.5	38.0	69.0
32690.W0136	Locking	Steel	12	M20x1,5	33	67	15	33	10	22	11.5	40.0	125.0
32690.W0137	Locking	Steel	16	M24 x 2	33	78.5	20	38	12	27	13.0	54.0	220
32690.W0223	Locking	Stainless	4	M 8x1,0	16	35	4	16	5	10	4.5	12.0	12.0
32690.W0224	Locking	Stainless	4	M 8x1,0	16	35	6	16	5	10	4.0	12.5	12.0
32690.W0226	Locking	Stainless	5	M10x1,0	19	40	5	18	6	12	5.0	15.0	20.0
32690.W0227	Locking	Stainless	5	M10x1,0	19	40	8	18	6	12	5.0	18.0	20.0
32690.W0229	Locking	Stainless	6	M12x1,5	23	48	6	22	6	14	6.5	19.0	31.0
32690.W0230	Locking	Stainless	6	M12x1,5	23	48	9	22	6	14	6.0	25.0	33.0
32690.W0232	Locking	Stainless	8	M16x1,5	28	58	8	26	8	17	8.5	26.0	65.0
32690.W0233	Locking	Stainless	8	M16x1,5	28	58	12	26	8	17	8.5	28.0	68.0
32690.W0235	Locking	Stainless	10	M16x1,5	28	58	12	26	8	17	9.5	38.0	69.0
32690.W0236	Locking	Stainless	12	M20x1,5	33	67	15	33	10	22	11.5	40.0	125.0
32690.W0237	Locking	Stainless	16	M24 x 2	33	78.5	20	38	12	27	13.0	54.0	220





32700

INDEX PLUNGER & PINS

Material

Free cutting steel type-

Body: free cutting steel, blackened.

Pin: steel, hardened.

Grip: thermoplastic PA6, black.

Stainless steel type -

Body: stainless steel 1.4305 (AISI 303).

Pin: stainless steel 1.4305 (AISI 303), nickel plated.

Grip: thermoplastic PA6, black.

Technical Notes

„Non Locking“ type- pin simply springs back when pull ring released.

Thread recess on body allows full engagement of thread length. Hexagon collar improves leverage for secure installation. Without grip temperature resistance up to 250°C .

Distance collars no. 32750 can be used to adapt screw length.

Lock nuts sold separately See Products 65690 and 65692

Tips

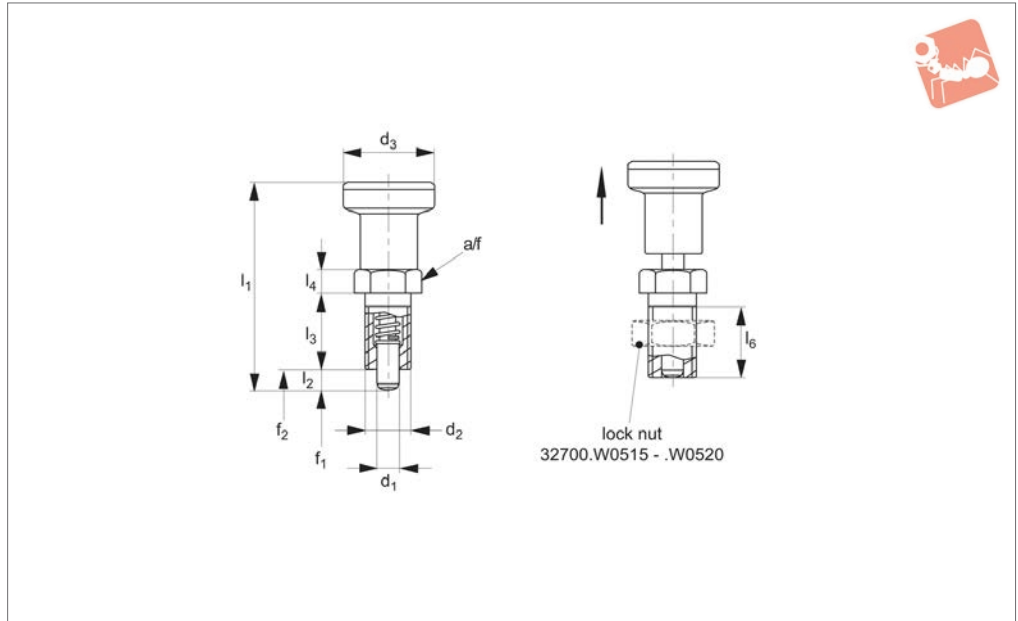
Grip non-removable.

Spring loads * = statistical average.

Order No.	Type	Material	d ₁ -0.02 -0.04	d ₂	d ₃	d ₄	l ₁ ≈	l ₂ min.	l ₃	l ₄	l ₅	l ₆ min.	A/F	Spring load	Spring load	Weight g
														F ₁ N ≈	F ₂ N ≈	
32700.W0005	With Grip	Steel	5	M10x1,0	21		45,0	5	17	5		15	12	6,0	14	19,0
32700.W0006	With Grip	Steel	6	M12x1,5	25		54,5	6	20	6		17	14	5,5	13	31,0
32700.W0008	With Grip	Steel	8	M16x1,5	31		69,0	8	26	8		23	19	11,5	28	71,0
32700.W0010	With Grip	Steel	10	M20x1,5	31		80,0	10	33	10		30	22	23,0	54	115,0
32700.W0025	No Grip	Steel	5	M10x1,0		M 5		5	17	5	6	15	12	6,0	14	14,0
32700.W0026	No Grip	Steel	6	M12x1,5		M 6		6	20	6	10	17	14	5,5	13	23,0
32700.W0028	No Grip	Steel	8	M16x1,5		M 8		8	26	8	12	23	19	11,5	28	54,0
32700.W0030	No Grip	Steel	10	M20x1,5		M 8		10	33	10	12	30	22	23,0	54	79,0
32700.W0405	With Grip	Stainless	5	M10x1,0	21		45,0	5	17	5		15	12	6,0	14	19,0
32700.W0406	With Grip	Stainless	6	M12x1,5	25		54,5	6	20	6		17	14	5,5	13	31,0
32700.W0408	With Grip	Stainless	8	M16x1,5	31		69,0	8	26	8		23	19	11,5	28	71,0
32700.W0410	With Grip	Stainless	10	M20x1,5	31		80,0	10	33	10		30	22	23,0	54	115,0
32700.W0425	No Grip	Stainless	5	M10x1,0		M 5		5	17	5	6	15	12	6,0	14	14,0
32700.W0426	No Grip	Stainless	6	M12x1,5		M 6		6	20	6	10	17	14	5,5	13	23,0
32700.W0428	No Grip	Stainless	8	M16x1,5		M 8		8	26	8	12	23	19	11,5	28	54,0
32700.W0430	No Grip	Stainless	10	M20x1,5		M 8		10	33	10	12	30	22	23,0	54	79,0



32702



Material

All Stainless Steel Type-

Body: stainless steel 1.4305 (AISI 303).

Pin: stainless steel 1.4305 (AISI 303), nickel plated.

Grip: stainless steel 1.4305 (AISI 303).

Spring: stainless steel 1.4310 (AISI 301).

Technical Notes

„Non Locking“ type- pin simply springs

back when pull ring released.

Thread recess on body allows full engagement of thread length. Hexagon collar improves leverage for secure installation.

Temperature resistance from -30° to +80°C.

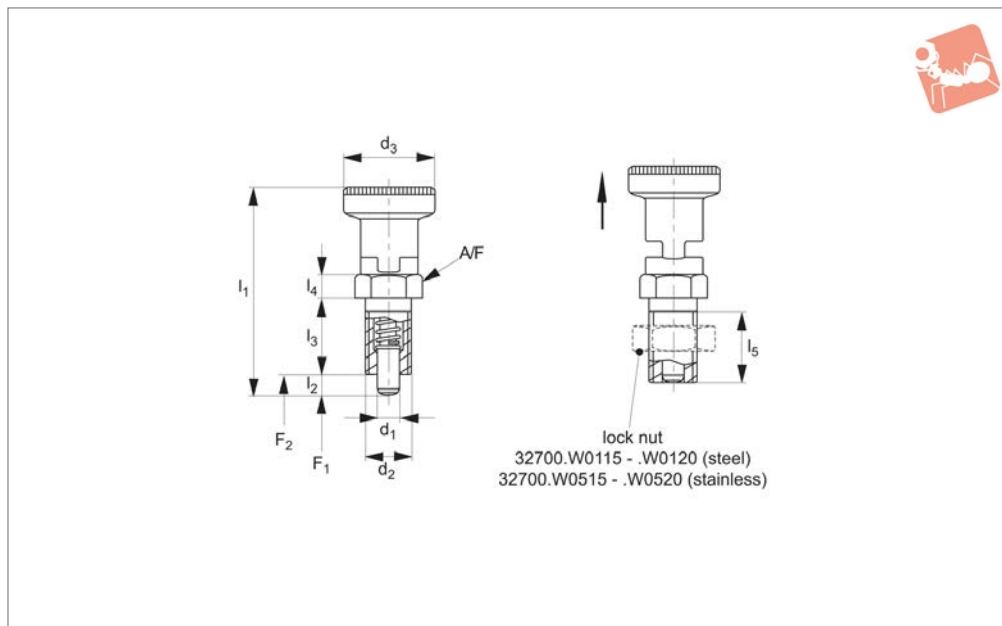
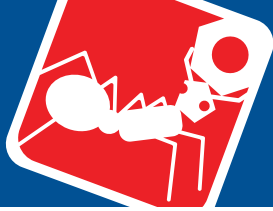
Distance collars no. 32750 can be used to adapt screw length.

Lock nuts sold separately. See Products 65690 and 65692

Tips

Complete stainless steel construction designed with specific demands of food processing, pharmaceutical and water treatment industries in mind. Grip non-removable. Spring Loads* = statistical average.

Order No.	Type	d_1 -0.02 -0.04	d_2	d_3	l_1 ≈	l_2 min.	l_3	l_4	l_6 min.	A/F	Spring load F_1 N ≈	Spring load F_2 N ≈	Weight g
32702.W0705	Non locking	5	M10x1,0	21	45.0	5	17	5	15	12	6.0	14	39.0
32702.W0706	Non locking	6	M12x1,5	25	54.5	6	20	6	17	14	5.5	13	65.0
32702.W0707	Non locking	8	M16x1,5	31	69.0	8	26	8	23	19	11.5	28	132.0
32702.W0710	Non locking	10	M20x1,5	31	80.0	10	33	10	30	22	23.0	54	175.0



32710

INDEX PLUNGER & PINS

Material

Free cutting steel type-

Body: free cutting steel, blackened.

Pin: hardened steel.

Grip: thermoplastic PA6, black.

Stainless steel type -

Body: stainless steel 1.4305 (AISI 303).

Pin: stainless steel 1.4305 (AISI 303), nickel plated.

Grip: thermoplastic PA6, black.

Technical Notes

„Locking“ type- enable pin to be held in retracted/non-projecting position; pull back grip, turn 90° to engage ‚locking‘ on a notched catch.

Thread recess on body allows full engagement of thread length. Hexagon collar improves leverage for secure installation. Temperature resistance from -30° to +80°C.

Distance collars no. 32750 can be used to adapt screw length.

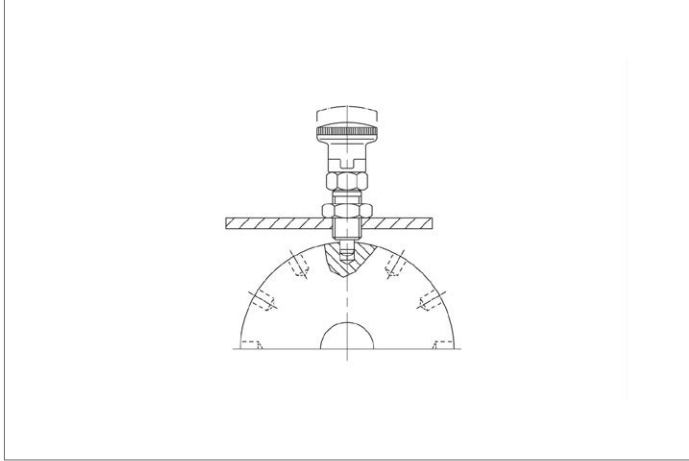
Lock nuts sold separately. See Products 65690 and 65692

Tips

Grip non-removable.

Spring loads * = statistical average.

Order No.	Type	Material	d ₁ -0.02 -0.04	d ₂	d ₃	l ₁ ≈	l ₂ min.	l ₃	l ₄	l ₅ min.	A/F	Spring load F ₁ N ≈	Spring load F ₂ N ≈	Weight g
32710.W0205	Locking	Steel	5	M10x1,0	21	51.0	5	17	5	15	12	6.0	14	22
32710.W0206	Locking	Steel	6	M12x1,5	25	61.0	6	20	6	17	14	5.5	13	36
32710.W0208	Locking	Steel	8	M16x1,5	31	75.5	8	26	8	23	19	1.5	28	79
32710.W0210	Locking	Steel	10	M20x1,5	31	91.0	10	33	10	30	22	28.0	54	134
32710.W0605	Locking	Stainless	5	M10x1,0	21	51.0	5	17	5	15	12	6.0	14	22
32710.W0606	Locking	Stainless	6	M12x1,5	25	61.0	6	20	6	17	14	5.5	13	36
32710.W0608	Locking	Stainless	8	M16x1,5	31	75.5	8	26	8	23	19	1.5	28	79
32710.W0610	Locking	Stainless	10	M20x1,5	31	91.0	10	33	10	30	22	28.0	54	134

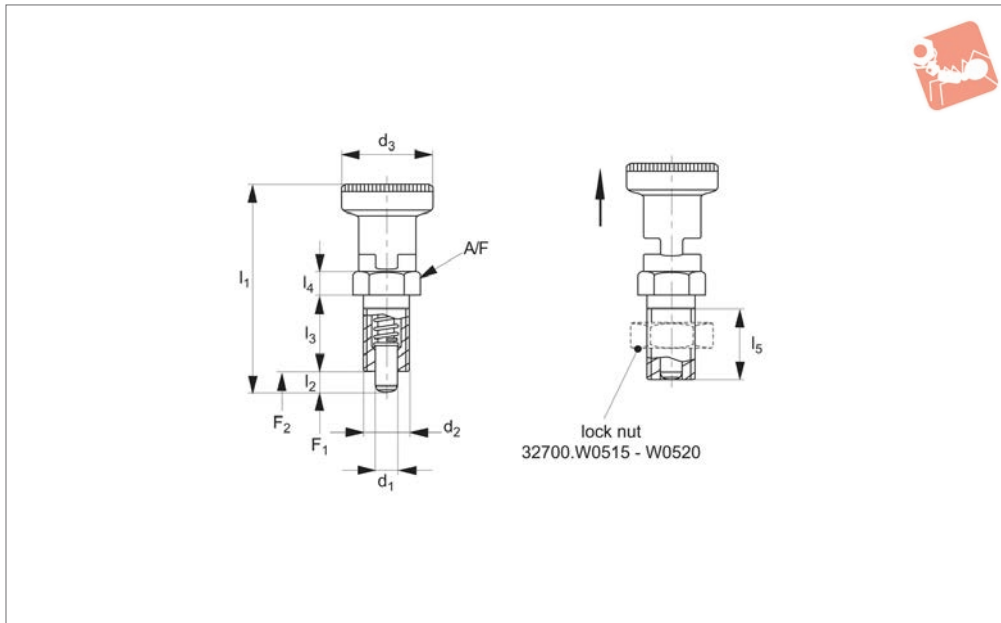




Index Plunger - Pull Grip

locking - all stainless

Index Plunger & Pins



32712

INDEX PLUNGER & PINS

Material

All Stainless Steel Type-

Body: stainless steel 1.4305 (AISI 303).
Pin: stainless steel 1.4305, nickel plated.
Grip: stainless steel 1.4305 (AISI 303).
Spring: stainless steel 1.4310 (AISI 301).

Technical Notes

„Locking“ type- enable pin to be held in retracted/non-projecting position; pull

back grip, turn 90° to engage ‚locking‘ on a notched catch.

Thread recess on body allows full engagement of thread length. Hexagon collar improves leverage for secure installation. Temperature resistance from -30° to +80°C.

Distance collars no. 32750 can be used to adapt screw length.

Lock nuts sold separately. See Products 65690 and 65692

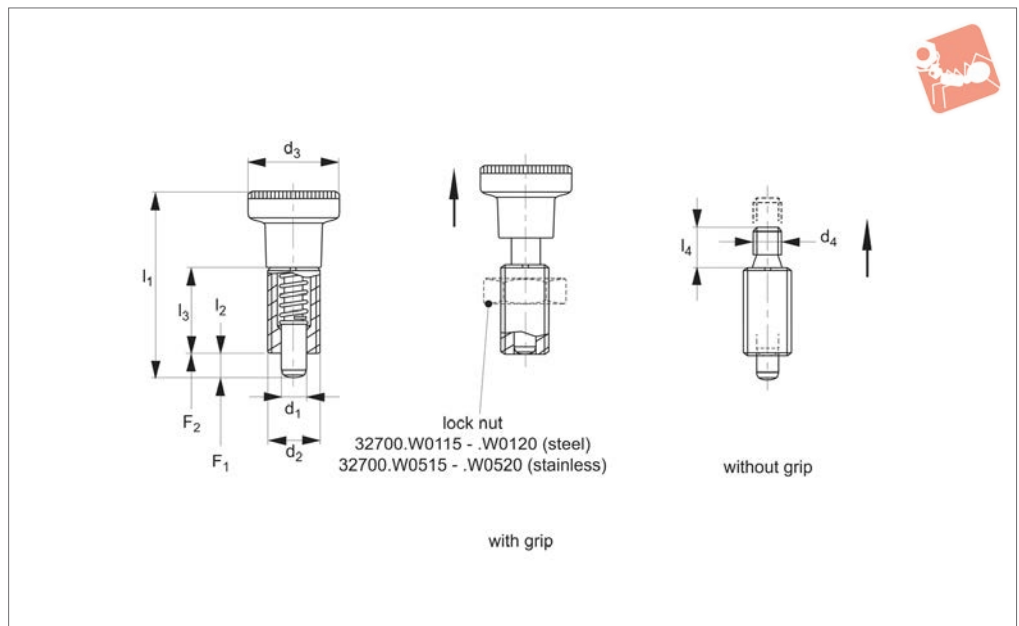
Tips

Complete stainless steel construction designed with specific demands of food processing, pharmaceutical and water treatment industries in mind. Grip non-removable. Spring Loads* = statistical average.

Order No.	Type	d_1 -0.02 -0.04	d_2	d_3	l_1 ≈	l_2 min.	l_3	l_4	l_5	A/F	Spring load F_1 N ≈	Spring load F_2 N ≈	Weight g
32712.W0705	Locking	5	M10x1,0	21	51.0	5	17	5	15	12	6.0	14	43
32712.W0706	Locking	6	M12x1,5	25	61.0	6	20	6	17	14	5.5	13	71
32712.W0708	Locking	8	M16x1,5	31	75.5	7	26	8	23	19	11.5	28	144
32712.W0710	Locking	10	M20x1,5	31	91.0	10	33	10	30	22	28.0	54	202



32740



Material

Free Cutting Steel Type-

Body: free cutting steel, blackened.

Pin: steel, hardened.

Grip: thermoplastic PA6, black.

Stainless steel type -

Body: stainless steel 1.4305 (AISI 303).

Pin: stainless steel 1.4305 (AISI 303),

nickel plated.

Grip: thermoplastic PA6, black.

Technical Notes

„Non Locking“ type- pin simply springs back when pull ring released.

Plungers without grip enable your own adaptation with actuation grip/lever to your own design. Installation requires use of specific assembly tool, see data table.

Without grip temperature resistance up to 250°C.

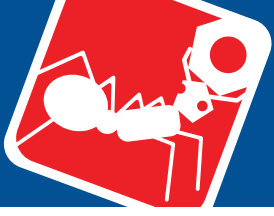
Lock nuts sold separately. See Products 65690 and 65692

Tips

Grip non-removable.

Spring loads * = statistical average.

Order No.	Type	Material	d ₁	d ₂	d ₃	d ₄	l ₁	l ₂	l ₃	l ₄	Spring load F ₁ N	Spring load F ₂ N	Weight g
32740.W0045	With Grip	Steel	5	M10x1,0	21	-	45.0	5	22	-	6.0	14	17
32740.W0046	With Grip	Steel	6	M12x1,5	25	-	54.5	6	26	-	5.5	13	27
32740.W0048	With Grip	Steel	8	M16x1,5	31	-	69.0	8	34	-	11.5	28	63
32740.W0050	With Grip	Steel	10	M20x1,5	31	-	80.0	10	41	-	23.0	54	104
32740.W0065	No Grip	Steel	5	M10x1,0	-	M 5	-	5	22	6	6.0	14	12
32740.W0066	No Grip	Steel	6	M12x1,5	-	M 6	-	6	26	10	5.5	13	12
32740.W0068	No Grip	Steel	8	M16x1,5	-	M 8	-	8	34	12	11.5	28	46
32740.W0070	No Grip	Steel	10	M20x1,5	-	M 8	-	10	43	12	23.0	54	87
32740.W0445	With Grip	Stainless	5	M10x1,0	21	-	45.0	5	22	-	6.0	14	17
32740.W0446	With Grip	Stainless	6	M12x1,5	25	-	54.5	6	26	-	5.5	13	27
32740.W0448	With Grip	Stainless	8	M16x1,5	31	-	69.0	8	34	-	11.5	28	63
32740.W0450	With Grip	Stainless	10	M20x1,5	31	-	80.0	10	41	-	23.0	54	104
32740.W0465	No Grip	Stainless	5	M10x1,0	-	M 5	-	5	22	6	6.0	14	12
32740.W0466	No Grip	Stainless	6	M12x1,5	-	M 6	-	6	26	10	5.5	13	12
32740.W0468	No Grip	Stainless	8	M16x1,5	-	M 8	-	8	34	12	11.5	28	46
32740.W0470	No Grip	Stainless	10	M20x1,5	-	M 8	-	10	43	12	23.0	54	87
32740.W0955	Assembly Tool	Steel	-	for M10x1,0	-	-	-	-	-	-	-	-	10
32740.W0956	Assembly Tool	Steel	-	for M12x1,5	-	-	-	-	-	-	-	-	14
32740.W0958	Assembly Tool	Steel	-	for M16x1,5	-	-	-	-	-	-	-	-	25
32740.W0960	Assembly Tool	Steel	-	for M20x1,5	-	-	-	-	-	-	-	-	27



Index Plunger - Pull Grip non-locking

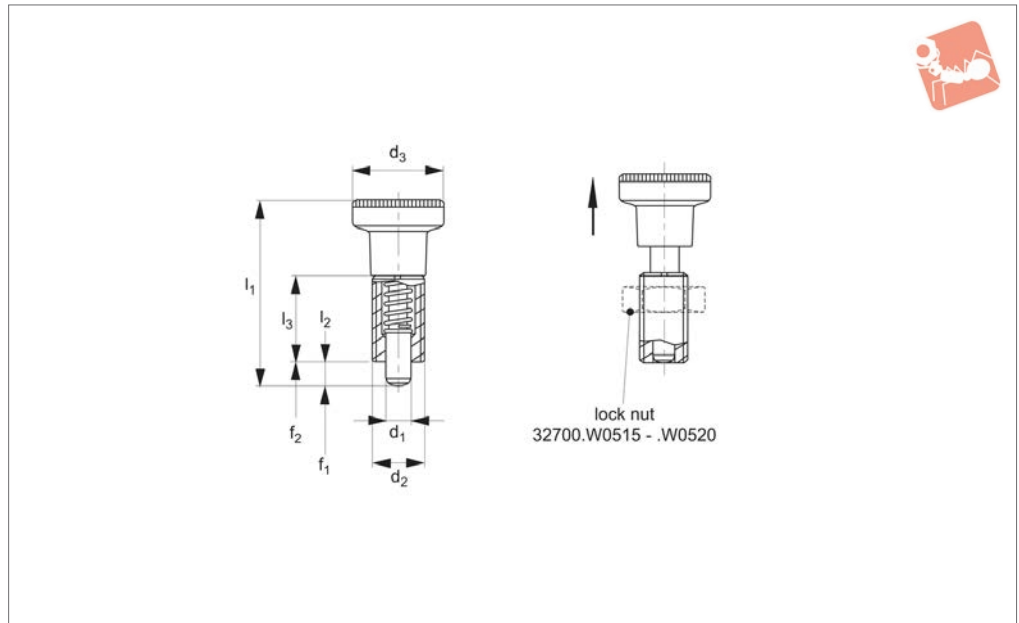
Index Plunger & Pins



INDEX PLUNGER & PINS



32742



Material

All Stainless Steel Type-

Body: stainless steel 1.4305 (AISI 303).

Locking pin: stainless steel 1.4305 (AISI 303), nickel plated.

Grip: stainless steel 1.4305 (AISI 303).

Spring: stainless steel 1.4310 (AISI 301).

Technical Notes

„Non Locking“ type- pin simply springs

back when pull ring released.

Temperature resistance -30°C to +80°C

Installation requires use of specific assembly tool, see part nos. 32740.W0955 to .W0960.

Lock nuts sold separately. See Products 65690 and 65692

Tips

Complete stainless steel construction designed with specific demands of food processing, pharmaceutical and water treatment industries in mind. Grip non-removable. Spring Load* = statistical average.

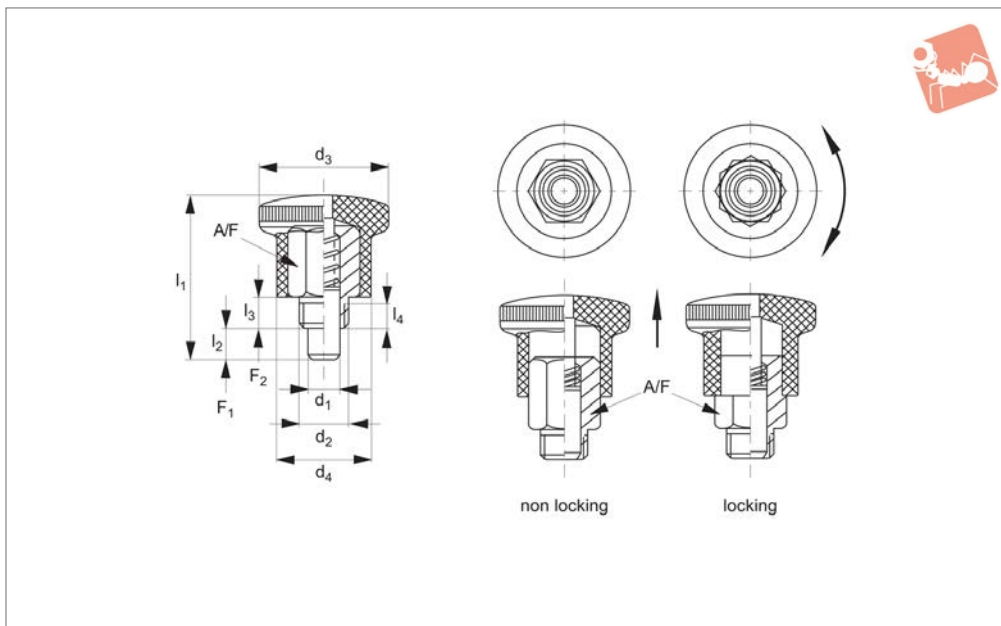
Order No.	Type	d_1 -0.02 -0.04	d_2	d_3	l_1 ≈	l_2 min.	l_3	Spring load F_1 N ≈	Spring load F_2 N ≈	Weight g
32742.W0705	Non Locking	5	M10x1,0	21	45.0	5	22	6.0	14	37.0
32742.W0706	Non Locking	6	M12x1,5	25	54.5	6	26	5.5	13	62.0
32742.W0707	Non Locking	8	M16x1,5	31	69.0	8	34	11.5	28	124.0
32742.W0710	Non Locking	10	M20x1,5	31	80.0	10	43	23.0	54	165.0



Index Plungers - Pull Grip

mini - for thin walled parts - extra fine thread

Index Plunger & Pins



32600

INDEX PLUNGER & PINS

Material

Free cutting steel type-

Body: free cutting steel, galvanized.
Pin: stainless steel 1.4305 (AISI 303).
Grip: thermoplastic PA 6, black.

Stainless steel type-

Body: stainless steel 1.4305 (AISI 303).
Pin: stainless steel 1.4305 (AISI 303).
Grip: thermoplastic PA 6, black.

Technical Notes

„Locking“ type- enable pin to be held in

retracted/non-projecting position; pull back grip, turn 90° to engage „locking“ on a notched catch.

„Non Locking“ type- pin simply springs back when grip released.

For positioning and indexing in the smallest of spaces. Particularly suited for use on sheet metal assemblies; e.g shopfitting displays, electrical cabinets and enclosures etc.

Extra fine thread

Temperature resistance from -30° to +80°C.

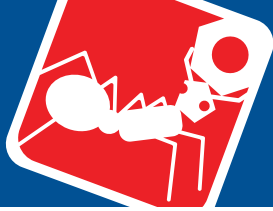
Distance collars no. 32750 can be used to adapt screw length.

Tips

Grip non-removable.
Spring loads * = statistical average.

Order No.	Material	Type	d ₁ 0 -0.06	d ₂	d ₃	d ₄	l ₁	l ₂ min.	l ₃	l ₄ min.	A/F	Spring load F ₁ N ≈	Spring load F ₂ N ≈	Weight g
32600.W0024	Steel	Non Locking	4	M 8x0,75	21	15	26,5	5	5	3,5	10	4,5	12	14
32600.W0026	Steel	Non Locking	5	M 8x0,75	21	15	26,5	5	5	3,5	10	4,5	12	14
32600.W0028	Steel	Non Locking	6	M10x1,00	25	18	34,0	7	7	4,5	12	5,0	18	25
32600.W0030	Steel	Non Locking	7	M10x1,00	25	18	34,0	7	7	4,5	12	5,0	18	26
32600.W0034	Steel	Locking	4	M 8x0,75	21	15	26,5	5	5	3,5	10	4,5	12	13
32600.W0036	Steel	Locking	5	M 8x0,75	21	15	26,5	5	5	3,5	10	4,5	12	14
32600.W0038	Steel	Locking	6	M10x1,00	25	18	34,0	7	7	4,5	12	5,0	18	24
32600.W0040	Steel	Locking	7	M10x1,00	25	18	34,0	7	7	4,5	12	5,0	18	25
32600.W0224	Stainless	Non Locking	4	M 8x0,75	21	15	26,5	5	5	3,5	10	4,5	12	14
32600.W0226	Stainless	Non Locking	5	M 8x0,75	21	15	26,5	5	5	3,5	10	4,5	12	14
32600.W0228	Stainless	Non Locking	6	M10x1,00	25	18	34,0	7	7	4,5	12	5,0	18	25
32600.W0230	Stainless	Non Locking	7	M10x1,00	25	18	34,0	7	7	4,5	12	5,0	18	26
32600.W0234	Stainless	Locking	4	M 8x0,75	21	15	26,5	5	5	3,5	10	4,5	12	13
32600.W0236	Stainless	Locking	5	M 8x0,75	21	15	26,5	5	5	3,5	10	4,5	12	14
32600.W0238	Stainless	Locking	6	M10x1,00	25	18	34,0	7	7	4,5	12	5,0	18	24
32600.W0240	Stainless	Locking	7	M10x1,00	25	18	34,0	7	7	4,5	12	5,0	18	25

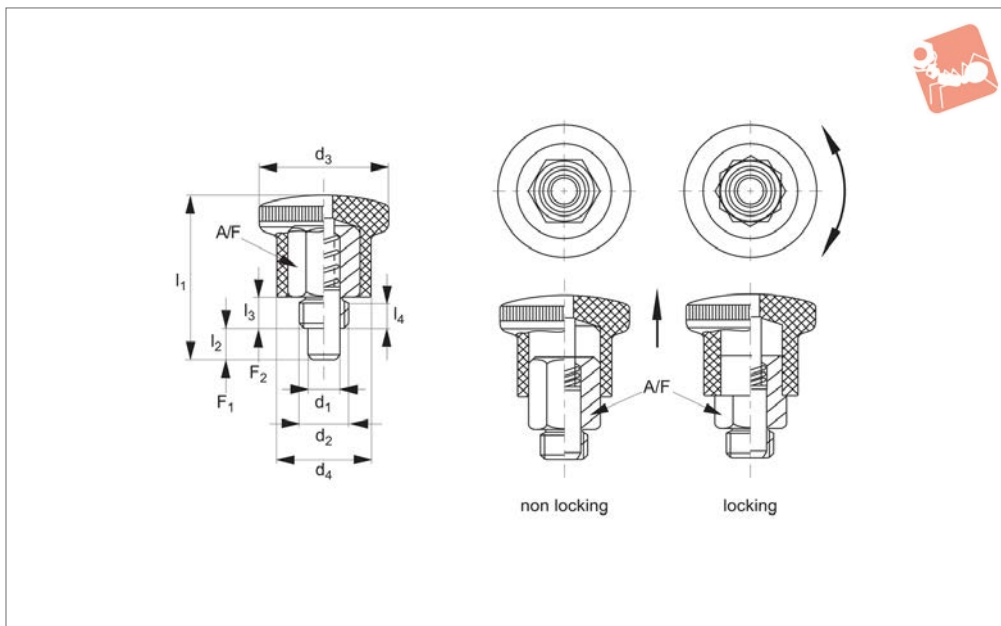




Index Plungers - Pull Grip

mini - for thin walled parts - fine thread

Index Plunger & Pins



32602

INDEX PLUNGER & PINS

Material

Free cutting steel type-

Body: free cutting steel, galvanized.
Pin: stainless steel 1.4305 (AISI 303).
Grip: thermoplastic PA 6, black.

Stainless steel type-

Body: stainless steel 1.4305 (AISI 303).
Pin: stainless steel 1.4305 (AISI 303).
Grip: thermoplastic PA 6, black.

Technical Notes

„Locking“ type- enable pin to be held in

retracted/non-projecting position; pull back grip, turn 90° to engage „locking“ on a notched catch.

„Non Locking“ type- pin simply springs back when grip released.

For positioning and indexing in the smallest of spaces. Particularly suited for use on sheet metal assemblies; e.g shopfitting displays, electrical cabinets and enclosures etc.

Temperature resistance from -30° to

+80°C.

Distance collars no. 32750 can be used to adapt screw length.

Fine Thread

Tips

Grip non-removable.
Spring loads * = statistical average.

Order No.	Material	Finish	d ₁	d ₂	d ₃	d ₄	l ₁	l ₂	l ₃	A/F	Spring load F ₁ N ≈	Spring load F ₂ N ≈	Weight g
32602.W0604	Steel	Non Locking	4	M 8x1,00	21	15	27.5	5	6	10	4	12	14
32602.W0608	Steel	Non Locking	5	M10x1,00	25	18	34.0	6	8	12	6	16	25
32602.W0612	Steel	Non Locking	6	M10x1,00	25	18	34.0	6	8	12	6	16	25
32602.W0616	Steel	Non Locking	6	M12x1,50	28	20	40.5	7	10	14	10	23	40
32602.W0620	Steel	Non Locking	7	M12x1,50	28	20	40.5	7	10	14	10	23	41
32602.W0624	Steel	Non Locking	8	M16x1,50	33	23	47.5	10	12	17	11	35	67
32602.W0628	Steel	Non Locking	10	M16x1,50	33	23	47.5	10	12	17	11	35	69
32602.W0632	Steel	Locking	4	M 8x1,00	21	15	27.5	5	6	10	4	12	13
32602.W0636	Steel	Locking	5	M10x1,00	25	18	34.0	6	8	12	6	16	23
32602.W0640	Steel	Locking	6	M10x1,00	25	18	34.0	6	8	12	6	16	25
32602.W0644	Steel	Locking	6	M12x1,50	28	20	40.5	7	10	14	10	23	39
32602.W0648	Steel	Locking	7	M12x1,50	28	20	40.5	7	10	14	10	23	39
32602.W0652	Steel	Locking	8	M16x1,50	33	23	47.5	10	12	17	11	35	65
32602.W0656	Steel	Locking	10	M16x1,50	33	23	47.5	10	12	17	11	35	67
32602.W0704	Stainless	Non Locking	4	M 8x1,00	21	15	27.5	5	6	10	4	12	14
32602.W0708	Stainless	Non Locking	5	M10x1,00	25	18	34.0	6	8	12	6	16	25
32602.W0712	Stainless	Non Locking	6	M10x1,00	25	18	34.0	6	8	12	6	16	25
32602.W0716	Stainless	Non Locking	6	M12x1,50	28	20	40.5	7	10	14	10	23	40
32602.W0720	Stainless	Non Locking	7	M12x1,50	28	20	40.5	7	10	14	10	23	41
32602.W0724	Stainless	Non Locking	8	M16x1,50	33	23	47.5	10	12	17	11	35	67
32602.W0728	Stainless	Non Locking	10	M16x1,50	33	23	47.5	10	12	17	11	35	69
32602.W0732	Stainless	Locking	4	M 8x1,00	21	15	27.5	5	6	10	4	12	13
32602.W0736	Stainless	Locking	5	M10x1,00	25	18	34.0	6	8	12	6	16	23
32602.W0740	Stainless	Locking	6	M10x1,00	25	18	34.0	6	8	12	6	16	25

Index Plunger & Pins



Index Plungers - Pull Grip mini - for thin walled parts - fine thread



Order No.	Material	Finish	d ₁	d ₂	d ₃	d ₄	l ₁	l ₂	l ₃	A/F	Spring load F ₁ N ≈	Spring load F ₂ N ≈	Weight g
32602.W0744	Stainless	Locking	6	M12x1,50	28	20	40.5	7	10	14	10	23	39
32602.W0748	Stainless	Locking	7	M12x1,50	28	20	40.5	7	10	14	10	23	39
32602.W0752	Stainless	Locking	8	M16x1,50	33	23	47.5	10	12	17	11	35	65
32602.W0756	Stainless	Locking	10	M16x1,50	33	23	47.5	10	12	17	11	35	67

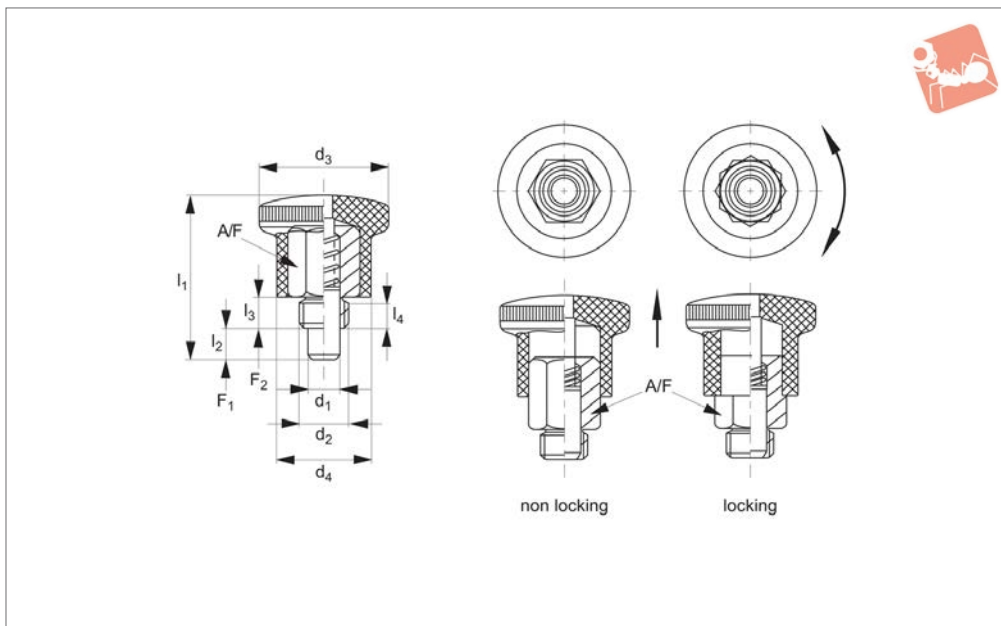
INDEX PLUNGER & PINS



Index Plungers - Pull Grip

mini - for thin walled parts - coarse thread

Index Plunger & Pins



32604

INDEX PLUNGER & PINS

Material

Free cutting steel type-

Body: free cutting steel, galvanized.
Pin: stainless steel 1.4305 (AISI 303).
Grip: thermoplastic PA 6, black.

Stainless steel type-

Body: stainless steel 1.4305 (AISI 303).
Pin: stainless steel 1.4305 (AISI 303).
Grip: thermoplastic PA 6, black.

Technical Notes

„Locking“ type- enable pin to be held in

retracted/non-projecting position; pull back grip, turn 90° to engage „locking“ on a notched catch.

„Non Locking“ type- pin simply springs back when grip released.

For positioning and indexing in the smallest of spaces. Particularly suited for use on sheet metal assemblies; e.g shopfitting displays, electrical cabinets and enclosures etc.

Temperature resistance from -30° to

+80°C.

Distance collars no. 32750 can be used to adapt screw length.

Coarse thread.

Tips

Grip non-removable.

Spring loads * = statistical average

Order No.	Material	Finish	d ₁	d ₂	d ₃	d ₄	l ₁	l ₂	l ₃	A/F	Spring load F ₁ N ≈	Spring load F ₂ N ≈	Weight g
32604.W0602	Steel	Non Locking	4	M 8x1,25	21	15	27.5	5	6	10	4	12	14
32604.W0606	Steel	Non Locking	5	M10x1,50	25	18	34.0	6	8	12	6	16	25
32604.W0610	Steel	Non Locking	6	M10x1,50	25	18	34.0	6	8	12	6	16	25
32604.W0614	Steel	Non Locking	6	M12x1,75	28	20	40.5	7	10	14	10	23	40
32604.W0618	Steel	Non Locking	7	M12x1,75	28	20	40.5	7	10	14	10	23	41
32604.W0622	Steel	Non Locking	8	M16x2,00	33	23	47.5	10	12	17	11	35	66
32604.W0626	Steel	Non Locking	10	M16x2,00	33	23	47.5	10	12	17	11	35	68
32604.W0630	Steel	Locking	4	M 8x1,25	21	15	27.5	5	6	10	4	12	13
32604.W0634	Steel	Locking	5	M10x1,50	23	18	34.0	6	8	12	6	16	23
32604.W0638	Steel	Locking	6	M10x1,50	25	18	34.0	6	8	12	6	16	24
32604.W0642	Steel	Locking	6	M12x1,75	28	20	40.5	7	10	14	10	23	38
32604.W0646	Steel	Locking	7	M12x1,75	28	20	40.5	7	10	14	10	23	39
32604.W0650	Steel	Locking	8	M16x2,00	33	23	47.5	10	12	17	11	35	64
32604.W0654	Steel	Locking	10	M16x2,00	33	23	47.5	10	12	17	11	35	66
32604.W0702	Stainless	Non Locking	4	M 8x1,25	21	15	27.5	5	6	10	4	12	14
32604.W0706	Stainless	Non Locking	5	M10x1,50	25	18	34.0	6	8	12	6	16	25
32604.W0710	Stainless	Non Locking	6	M10x1,50	25	18	34.0	6	8	12	6	16	25
32604.W0714	Stainless	Non Locking	6	M12x1,75	28	20	40.5	7	10	14	10	23	40
32604.W0718	Stainless	Non Locking	7	M12x1,75	28	20	40.5	7	10	14	10	23	41
32604.W0722	Stainless	Non Locking	8	M16x2,00	33	23	47.5	10	12	17	11	35	66
32604.W0726	Stainless	Non Locking	10	M16x2,00	33	23	47.5	10	12	17	11	35	68
32604.W0730	Stainless	Locking	4	M 8x1,25	21	15	27.5	5	6	10	4	12	13
32604.W0734	Stainless	Locking	5	M10x1,50	23	18	34.0	6	8	12	6	16	23
32604.W0738	Stainless	Locking	6	M10x1,50	25	18	34.0	6	8	12	6	16	24

Index Plunger & Pins



Index Plungers - Pull Grip mini - for thin walled parts - coarse thread



Order No.	Material	Finish	d ₁	d ₂	d ₃	d ₄	l ₁	l ₂	l ₃	A/F	Spring load F ₁ N ≈	Spring load F ₂ N ≈	Weight g
32604.W0742	Stainless	Locking	6	M12x1,75	28	20	40.5	7	10	14	10	23	38
32604.W0746	Stainless	Locking	7	M12x1,75	28	20	40.5	7	10	14	10	23	39
32604.W0750	Stainless	Locking	8	M16x2,00	33	23	47.5	10	12	17	11	35	64
32604.W0754	Stainless	Locking	10	M16x2,00	33	23	47.5	10	12	17	11	35	66

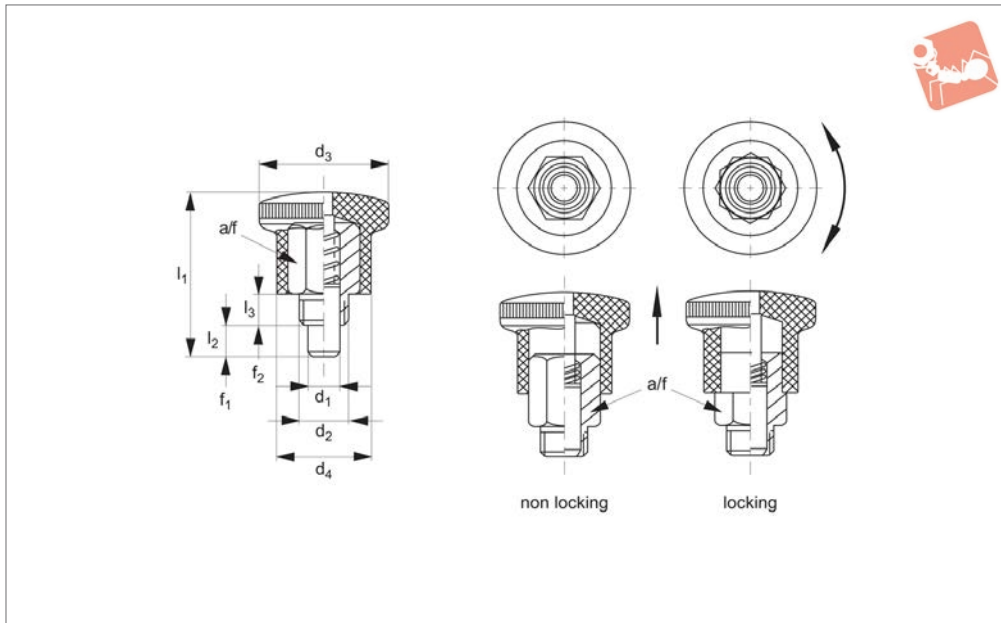
INDEX PLUNGER & PINS



Index Plungers - Pull Grip

mini - for thin walled parts - extra fine thread

Index Plunger & Pins



32606

INDEX PLUNGER & PINS

Material

Stainless steel type-

Body: stainless steel 1.4305 (AISI 303).
Pin: stainless steel 1.4305 (AISI 303).
Grip: stainless steel 1.4308 (AISI 304).

Technical Notes

„**Locking**” type- enable pin to be held in retracted/non-projecting position; pull back grip, turn 90° to engage ‚locking’ on a

notched catch.

„**Non Locking**” type- pin simply springs back when grip released.

For positioning and indexing in the smallest of spaces. Particularly suited for use on sheet metal assemblies; e.g shopfitting displays, electrical cabinets and enclosures etc.

Extra fine thread

Temperature resistance up to 250°C.
Distance collars no. 32750 can be used to adapt screw length.

Tips

Grip non-removable.
Spring loads * = statistical average.

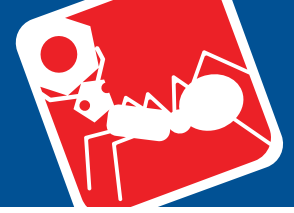
Order No.	Type	d ₁ 0,1-0,06	d ₂	d ₃	d ₄	l ₁	l ₂ min.	l ₃	A/F	Spring load F ₁ N ≈	Spring load F ₂ N ≈	Weight g
32606.W1102	Non-Locking	4	M 8	21	15	27.5	5	6	10	4	12	28
32606.W1104	Non-Locking	4	M 8x1	21	15	27.5	5	6	10	4	12	28
32606.W1106	Non-Locking	5	M10	25	18	34.0	6	8	12	6	16	49
32606.W1108	Non-Locking	5	M10x1	25	18	34.0	6	8	12	6	16	50
32606.W1110	Non-Locking	6	M10	25	18	34.0	6	8	12	6	16	50
32606.W1112	Non-Locking	6	M10x1	25	18	34.0	6	8	12	6	16	50
32606.W1114	Non-Locking	6	M12	28	20	40.5	7	10	14	10	23	74
32606.W1116	Non-Locking	6	M12x1,5	28	20	40.5	7	10	14	10	23	75
32606.W1118	Non-Locking	7	M12	28	20	40.5	7	10	14	10	23	75
32606.W1120	Non-Locking	7	M12x1,5	28	20	40.5	7	10	14	10	23	75
32606.W1122	Non-Locking	8	M16	33	23	47.5	10	12	17	11	34	110
32606.W1124	Non-Locking	8	M16x1,5	33	23	47.5	10	12	17	11	35	113
32606.W1126	Non-Locking	10	M16	33	23	47.5	10	12	17	11	35	113
32606.W1128	Non-Locking	10	M16x1,5	33	23	47.5	10	12	17	11	35	113
32606.W1130	Locking	4	M 8	21	15	27.5	5	6	10	4	12	28
32606.W1132	Locking	4	M 8x1	21	15	27.5	5	6	10	4	12	28
32606.W1134	Locking	5	M10	25	18	34.0	6	8	12	6	16	49
32606.W1136	Locking	5	M10x1	25	18	34.0	6	8	12	6	16	50
32606.W1138	Locking	6	M10	25	18	34.0	6	8	12	6	16	50
32606.W1140	Locking	6	M10x1	25	18	34.0	6	8	12	6	16	50
32606.W1142	Locking	6	M12	28	20	40.5	7	10	14	10	23	74
32606.W1144	Locking	6	M12x1,5	28	20	40.5	7	10	14	10	23	75
32606.W1146	Locking	7	M12	28	20	40.5	7	10	14	10	23	75
32606.W1148	Locking	7	M12x1,5	28	20	40.5	7	10	14	10	23	75
32606.W1150	Locking	8	M16	33	23	47.5	10	12	17	11	35	110
32606.W1152	Locking	8	M16x1,5	33	23	47.5	10	12	17	11	35	113
32606.W1154	Locking	10	M16	33	23	47.5	10	12	17	11	35	113

Index Plunger & Pins



Index Plungers - Pull Grip

mini - for thin walled parts - extra fine thread

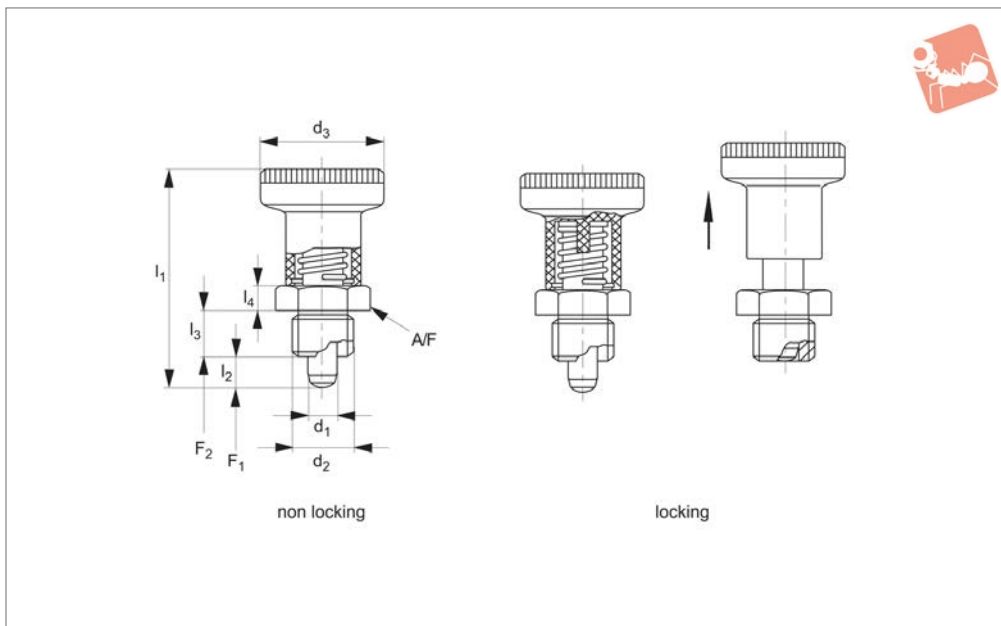


Order No.	Type	d_1 0 -0.06	d_2	d_3	d_4	l_1	l_2 min.	l_3	A/F	Spring load F_1 N ≈	Spring load F_2 N ≈	Weight g
32606.W1156	Locking	10	M16x1,5	33	23	47.5	10	12	17	11	35	113



Index Plungers - Pull Grip for thin walled parts

Index Plunger & Pins



32730

INDEX PLUNGER & PINS

Material

Free Cutting Steel type-

Body: free cutting steel, blackened.
Pin: steel, hardened.
Grip: thermoplastic PA6, black.

Stainless steel type -

Body: stainless steel 1.4305 (AISI 303).
Pin: stainless steel 1.4305 (AISI 303),
nickel plated.
Grip: thermoplastic PA6, black.

Technical Notes

„Locking“ type- enable pin to be held in retracted/non-projecting position; pull back grip, turn 90° to engage ‚locking‘ on a notched catch.

„Non Locking“ type- pin simply springs back when grip released.
Short bodied index plungers for compact applications. Hexagon collar improves leverage for secure installation.

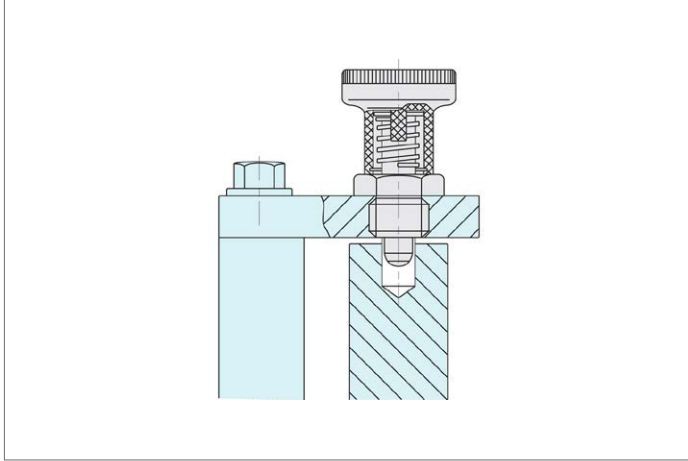
Temperature resistance from -30° to +80°C.

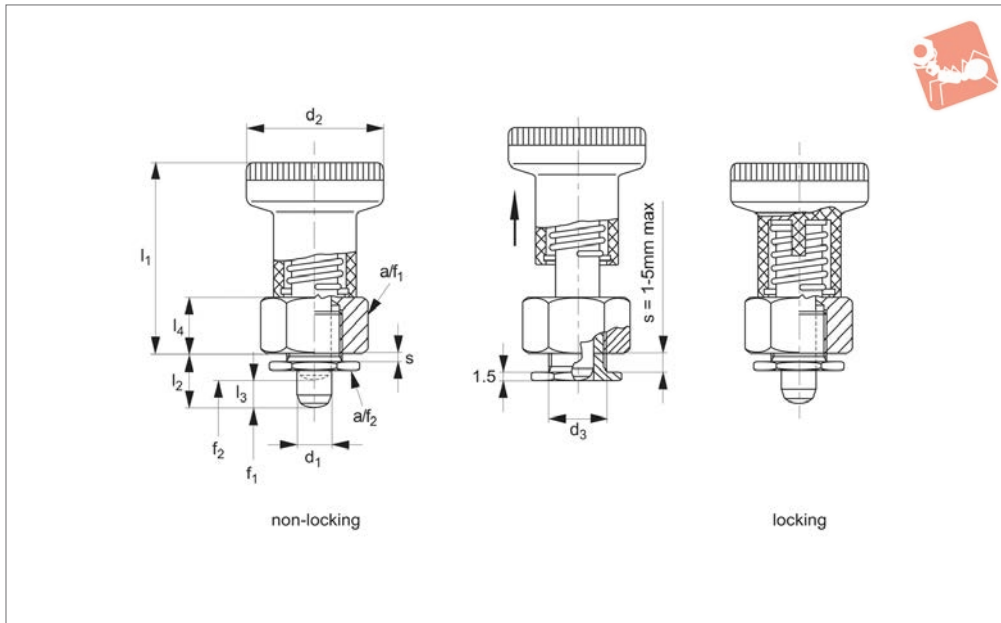
Lock nuts sold separately. See Products 65690 and 65692

Tips

Distance collars no. 32750 can be used to adapt screw length.
Spring loads * = statistical average.

Order No.	Material	Type	d ₁ -0.02 -0.04	d ₂	d ₃	l ₁ ≈	l ₂ min.	l ₃ -0.15	l ₄	A/F	Spring load F ₁ N ≈	Spring load F ₂ N ≈	Weight g
32730.W0226	Non Locking	Steel	6	M12x1,5	25	45	6	10	5	17	7	19	35.0
32730.W0228	Non Locking	Steel	8	M16x1,5	31	54	8	12	6	19	14	24	62.0
32730.W0236	Locking	Steel	6	M12x1,5	25	45	6	10	5	17	7	19	35.0
32730.W0238	Locking	Steel	8	M16x1,5	31	54	8	12	6	19	14	24	61.0
32730.W0246	Non Locking	Stainless	6	M12x1,5	25	45	6	10	5	17	7	19	35.0
32730.W0248	Non Locking	Stainless	8	M16x1,5	31	54	8	12	6	19	14	24	62.0
32730.W0256	Locking	Stainless	6	M12x1,5	25	45	6	10	5	17	7	19	35.0
32730.W0258	Locking	Stainless	8	M16x1,5	31	54	8	12	6	19	14	24	61.0





32770

INDEX PLUNGER & PINS

Material

Body: steel galvanised.
Pin: stainless steel 1.4305, nickel plated.
Grip: thermoplastic PA6, black.

Technical Notes

„Locking“ type- enable pin to be held in retracted position; pull back grip, turn 90°

to engage ‚locking‘ on a notched catch.
„Non Locking“ type- pin simply springs back when grip released.
For installation on thin walled panels/ sheet metal of thickness 1 to 5mm.
Pin does not fully retract in all cases - protrusion of pin ‚l₃‘ dependant upon

panel thickness of installation ‚s‘
Temperature resistance -30°C to +80°C

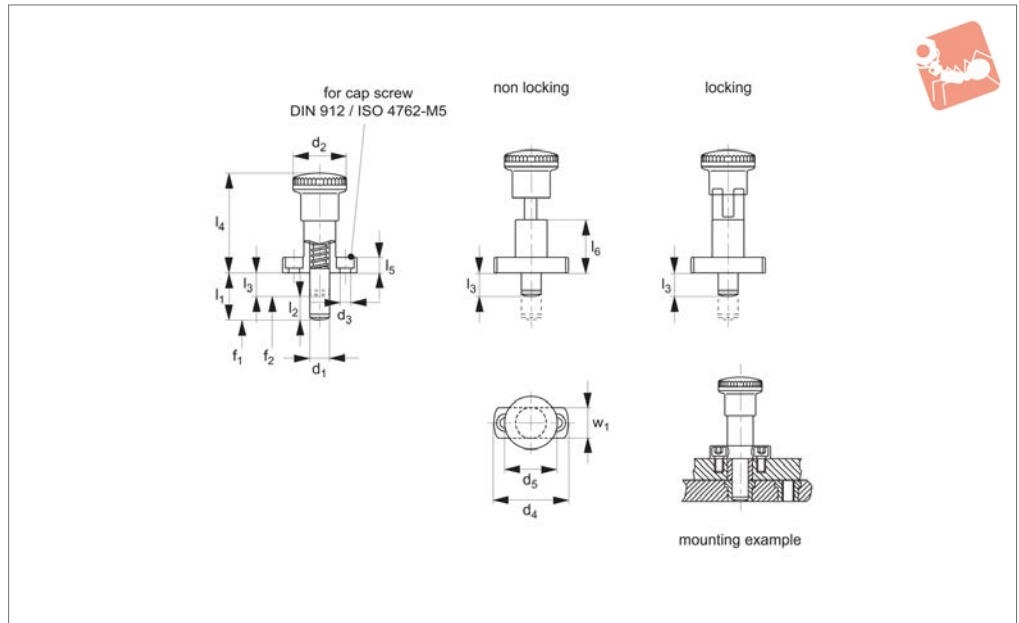
Tips

Grip non-removable.
Spring loads* = statistical average.

Order No.	Type	d ₁	d ₂	d ₃	l ₁	l ₂	l ₃	l ₄	s	Spring load F ₁ N	Spring load F ₂ N	A/F ₁	A/F ₂	Weight g
32770.W0266	Locking	6	25	10	34	8.5	6.0	10	1-5	8.5	22	17	14	39
32770.W0267	Locking	6	25	10	34	10.5	6.0	10	1-5	8.5	22	17	14	40
32770.W0268	Locking	8	31	12	40	10.0	7.5	12	1-5	15.5	28	19	16	63
32770.W0269	Locking	8	31	12	40	12.0	7.5	12	1-5	15.5	28	19	16	63
32770.W0286	Non Locking	6	25	10	34	8.5	6.0	10	1-5	8.5	22	17	14	39
32770.W0287	Non Locking	6	25	10	34	10.5	6.0	10	1-5	8.5	22	17	14	39
32770.W0288	Non Locking	8	31	12	40	10.0	7.5	12	1-5	15.5	28	19	16	61
32770.W0289	Non Locking	8	31	12	40	12.0	7.5	12	1-5	15.5	28	19	16	62
32770.W0299	Spanner = a/f2	-	-	-	-	-	-	-	-	-	-	-	-	27



32530



Material

Body: steel, blackened.
Pin: steel, hardened and ground.
Grip: thermoplastic PA6, black.

Technical Notes

„**Locking**“ type- enable pin to be held in retracted position; pull back grip, turn 90° to engage ‚locking‘ on a notched catch.
„**Non Locking**“ type- pin simply springs

back when grip is released.
Due to extended length pin does not fully retreat into plunger body when grip activated - note dimension l_3 for length pin remains exposed.
Extended pin assists locating and indexing of components. Due to its extended length the pin does not fully retract flush to the plunger body - please note dimensions l_1

for extended pin length and l_3 for retracted pin length. Pin is tolerated to h7 for improved location accuracy. Accuracy dependant upon suitable tolerance of bush, we suggest H7, with min. pin engagement to dim. l_3 .

Tips

Grip non-removable.
Spring Loads* = statistical average.

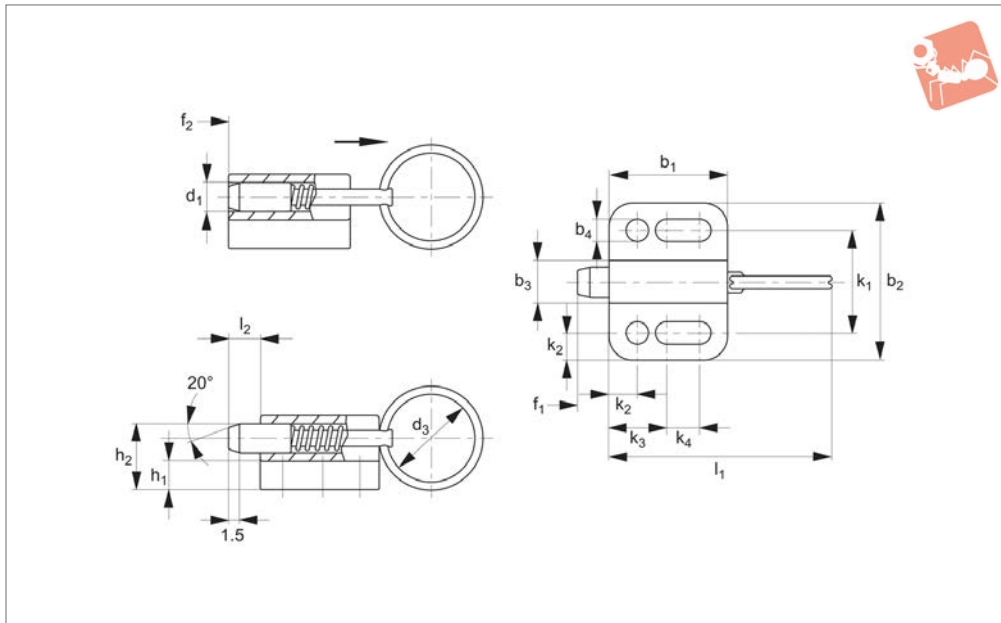
Order No.	Type	d_1 tol. h7	d_2	d_3	d_4	d_5	l_1	l_3	l_4	l_5	l_6	w_1	Spring load F_1 N ≈	Spring load F_2 N ≈	Stroke l_2	Weight g
32530.W0081	Non Locking	8	28	5,5	38	26	20	10	51	8	27	16	8,5	28	10	74
32530.W0083	Non Locking	8	28	5,5	38	26	26	16	51	8	27	16	8,5	28	10	77
32530.W0102	Non Locking	10	28	5,5	38	26	24	12	51	8	27	16	9,5	38	12	77
32530.W0104	Non Locking	10	28	5,5	38	26	32	20	51	8	27	16	9,5	38	12	80
32530.W0281	Locking	8	28	5,5	38	26	20	10	51	8	27	16	8,5	28	10	80
32530.W0283	Locking	8	28	5,5	38	26	26	16	51	8	27	16	8,5	28	10	83
32530.W0202	Locking	10	28	5,5	38	26	24	12	51	8	27	16	9,5	38	12	83
32530.W0204	Locking	10	28	5,5	38	26	32	20	51	8	27	16	9,5	38	12	100



Index Plungers - Pull Grip & Pull Ring

flange mounting - non-locking

Index Plunger & Pins



32540

INDEX PLUNGER & PINS

Material

Body: die cast zinc, black.

Pin: stainless steel 1.4305 (AISI 303).

Pull ring: stainless steel 1.4305 (AISI 303).

Integral mounting flange simplifies installation on flat surfaces.

Temperature resistant to 100°C.

Technical Notes

„Non Locking“ type- pin simply springs back when pull ring released.

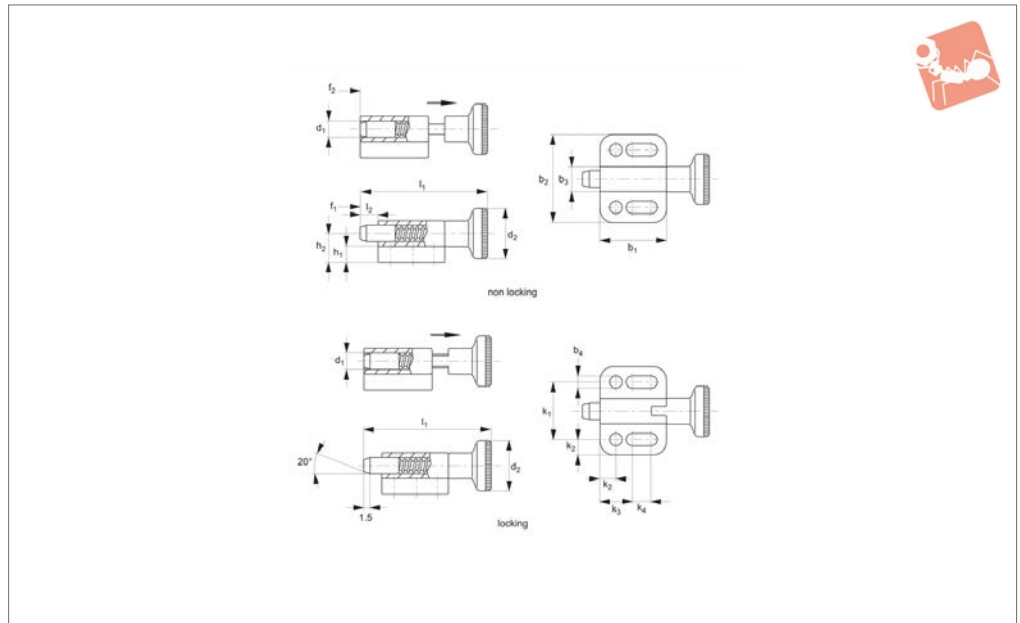
Tips

Spring loads * = statistical average.

Order No.	Type	d ₁ tol. h9	d ₃	b ₁	b ₂	b ₃	b ₄ -0.2	h ₁	h ₂	k ₁ ±0.05	k ₂	k ₃	k ₄	l ₁	l ₂ min.	Spring load		Weight g
																F ₁ N ≈	F ₂ N ≈	
32540.W0304	Non Locking	4	14	16,5	22	6	3,3	4,0	7,0	14	4,0	8	4,5	34,5	4	3	12	10
32540.W0305	Non Locking	5	18	22,0	28	8	4,3	4,5	9,5	18	5,0	10	7,0	45,0	5	5	24	20
32540.W0306	Non Locking	6	24	27,5	32	10	5,4	5,0	10,5	21	5,5	12	10,0	57,5	6	5	21	40
32540.W0308	Non Locking	8	30	33,0	34	12	5,4	6,0	12,5	23	5,5	12	15,5	71,0	8	6	22	58
32540.W0310	Non Locking	10	30	35,0	39	14,5	6,5	6,0	14,5	27	6,0	15	13,5	75,0	10	4	25	83



32542



Material

Body: die cast zinc, black.
Pin: stainless steel 1.4305 (AIAI 303).
Grip: thermoplastic PA6, black.

Technical Notes

„Locking“ type- enable pin to be held in retracted/non-projecting position; pull

back grip, turn 90° to engage ‚locking‘ on a notched catch.
„Non Locking“ type- pin simply springs back when grip released.

Integral mounting flange simplifies installation of index plunger on horizontal

surfaces.
Temperature resistance from -30°C up to +80°C.

Tips

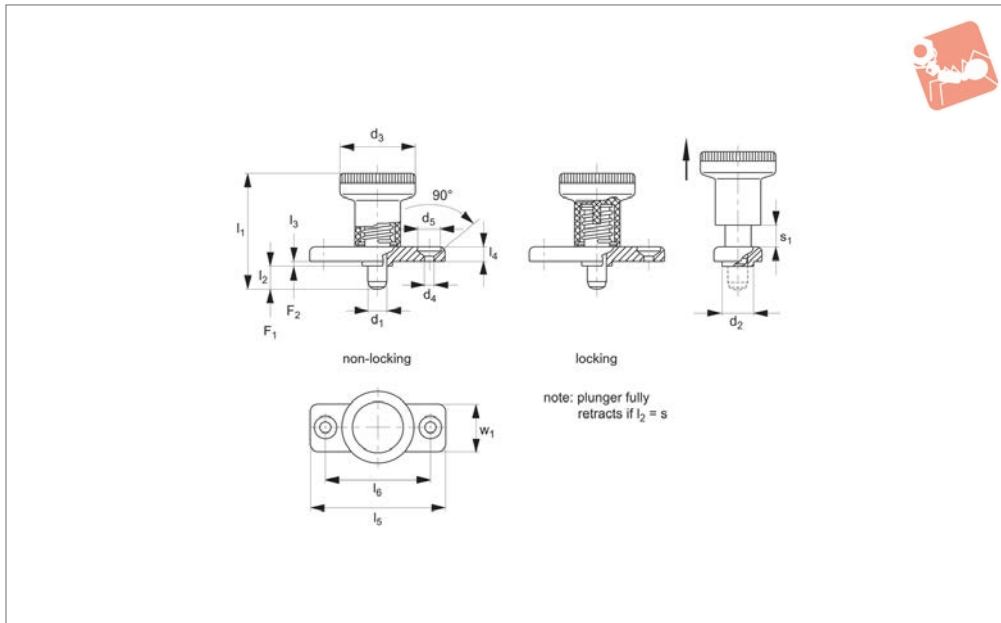
Grip non-removable.
Spring loads * = statistical average.

Order No.	Type	d ₁ tol. h9	d ₂	b ₁	b ₂	b ₃	b ₄ -0.2	h ₁	h ₂	k ₁ ±0.05	k ₂	k ₃	k ₄	l ₁	l ₂ min.	Spring load		Weight g
																F ₁ N ≈	F ₂ N ≈	
32542.W0324	Non Locking	4	12	16,5	22	6	3,3	4,0	7,0	14	4,0	8	4,5	30,5	4	3	12	11
32542.W0325	Non Locking	5	16	22,0	28	8	4,3	4,5	9,5	18	5,0	10	7,0	40,0	5	5	24	20
32542.W0326	Non Locking	6	18	27,5	32	10	5,4	5,0	10,5	21	5,5	12	10,0	49,0	6	5	21	37
32542.W0328	Non Locking	8	21	33,0	34	12	5,4	6,0	12,5	23	5,5	12	15,5	59,0	8	6	22	61
32542.W0330	Non Locking	10	25	35,0	39	14,5	6,5	6,0	14,5	27	6,0	15	13,5	67,5	10	4	25	90
32542.W0344	Locking	4	12	19,0	22	6	3,3	4,0	7,0	14	4,0	8	7,0	33,0	4	3	12	10
32542.W0345	Locking	5	16	25,5	28	8	4,3	4,5	9,5	18	5,0	10	10,5	43,5	5	5	24	26
32542.W0346	Locking	6	18	30,5	32	10	5,4	5,0	10,5	21	5,5	12	13,0	52,0	6	5	21	40
32542.W0348	Locking	8	21	37,5	34	12	5,4	6,0	12,5	23	5,5	12	20,0	63,5	8	6	22	67
32542.W0350	Locking	10	25	40,0	39	14,5	27	6,0	14,5	27	6,0	15	18,5	72,5	10	4	25	98



Index Plunger - Pull Grip flange mounting

Index Plunger & Pins



32760

INDEX PLUNGER & PINS

Material

Free Cutting Steel Type-

Body: die cast zinc, galvanised.

Pin: steel, hardened.

Grip: thermoplastic PA6, black

Stainless Steel Type-

Body: die-cast zinc, galvanised.

Pin: stainless steel, 1.4305 (AISI 303), nickel plated.

Grip: thermoplastic PA6, black

Technical Notes

„Locking” type- enable pin to be held in retracted position; pull back grip, turn 90° to engage ‚locking’ on a notched catch.

„Non Locking” type- pin simply springs back when grip released.

Integral mounting flange simplifies installation on flat surfaces.

Pin does not fully retract in all cases - note dimension ‚s’ the stroke of the pin,

i.e. the amount by which the pin retracts when actuated.

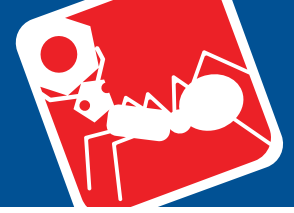
Temperature resistance -30°C to +80°C

Tips

Grip non-removable.

Spring loads * = statistical average.

Order No.	Type	Material	d_1 -0.02 - 0.04	d_2 -0.02 - 0.1	d_3	d_4	d_5	l_1	l_2	l_3 -0.15	l_4	l_5	l_6	w_1	Spring load F_1 N ≈	Spring load F_2 N ≈	Stroke s_1	Weight g
32760.W0926	Non Locking	Steel	6	10	25	4,3	8,3	37	6	2,5	4,5	40	30	18	8,5	22	6	26
32760.W0927	Non Locking	Steel	6	10	25	4,3	8,3	45	14	2,5	4,5	40	30	18	8,5	22	6	38
32760.W0928	Non Locking	Steel	8	12	31	5,3	10,4	44	8	2,5	5,5	46	34	20	15,5	28	8	59
32760.W0929	Non Locking	Steel	8	12	31	5,3	10,4	54	18	2,5	5,5	46	34	20	15,5	28	8	63
32760.W0936	Locking	Steel	6	10	25	4,3	8,3	37	6	2,5	4,5	40	30	18	8,5	22	6	36
32760.W0937	Locking	Steel	6	10	25	4,3	8,3	45	14	2,5	4,5	40	30	18	8,5	22	6	38
32760.W0938	Locking	Steel	8	12	31	5,3	10,4	44	8	2,5	5,5	46	34	20	15,5	28	8	60
32760.W0939	Locking	Steel	8	12	31	5,3	10,4	54	18	2,5	5,5	46	34	20	15,5	28	8	63
32760.W0966	Non Locking	Stainless	6	10	25	4,3	8,3	37	6	2,5	4,5	40	30	18	8,5	22	6	26
32760.W0967	Non Locking	Stainless	6	10	25	4,3	8,3	45	14	2,5	4,5	40	30	18	8,5	22	6	38
32760.W0968	Non Locking	Stainless	8	12	31	5,3	10,4	44	8	2,5	5,5	46	34	20	15,5	28	8	59
32760.W0969	Non Locking	Stainless	8	12	31	5,3	10,4	54	18	2,5	5,5	46	34	20	15,5	28	8	63
32760.W0976	Locking	Stainless	6	10	25	4,3	8,3	37	6	2,5	4,5	40	30	18	8,5	22	6	36
32760.W0977	Locking	Stainless	6	10	25	4,3	8,3	45	14	2,5	4,5	40	30	18	8,5	22	6	38
32760.W0978	Locking	Stainless	8	12	31	5,3	10,4	44	8	2,5	5,5	46	34	20	15,5	28	8	60
32760.W0979	Locking	Stainless	8	12	31	5,3	10,4	54	18	2,5	5,5	46	34	20	15,5	28	8	63

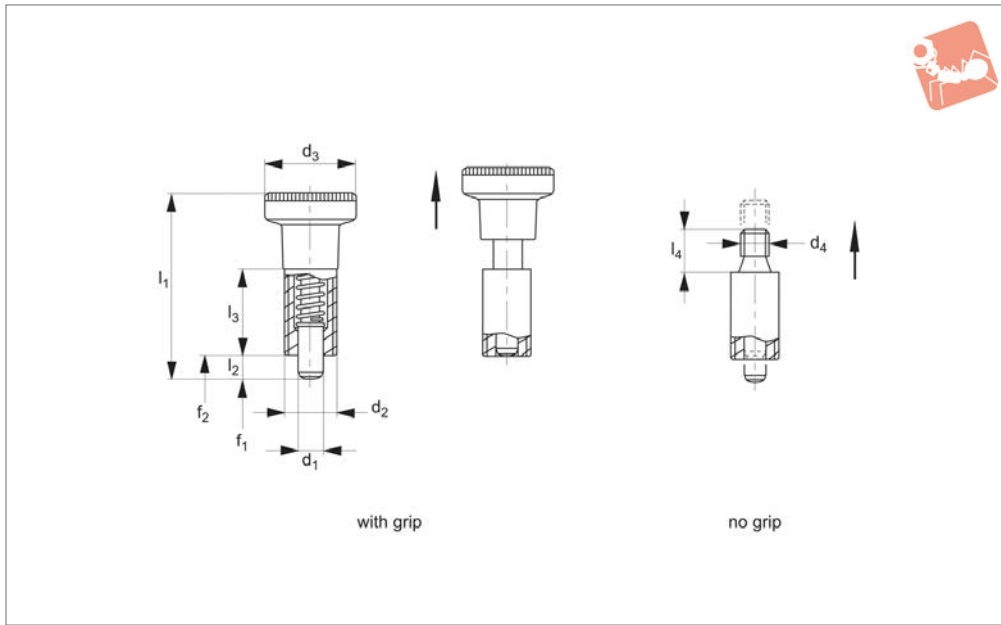




Index Plunger - Pull Grip

weldable - non-locking

Index Plunger & Pins



32720

INDEX PLUNGER & PINS

Material

Body: free cutting steel, blackened, weldable.
Pin: hardened steel.
Grip: plastic (PA 6), black, non-removable.

Technical Notes

„Non Locking“ type- pin simply springs

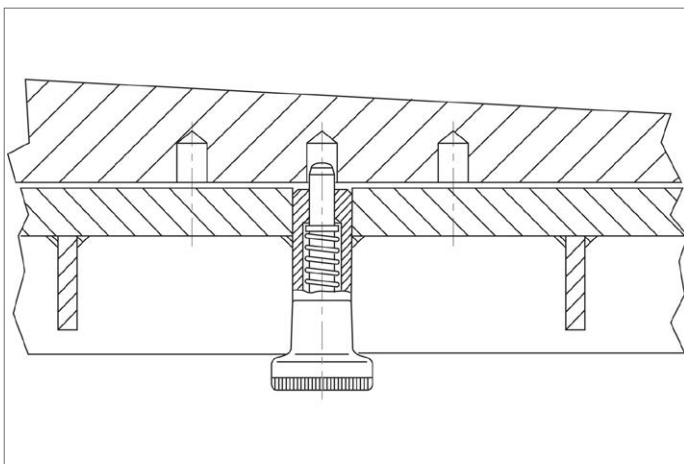
back when pull ring released.
Designed specifically for installation via welding or use of glues. Plungers without grip enable your own adaptation with actuation grip/lever to your own design. Without grip temperature resistance up to 250°C .

Tips

Grip non-removable.
Spring loads * = statistical average.

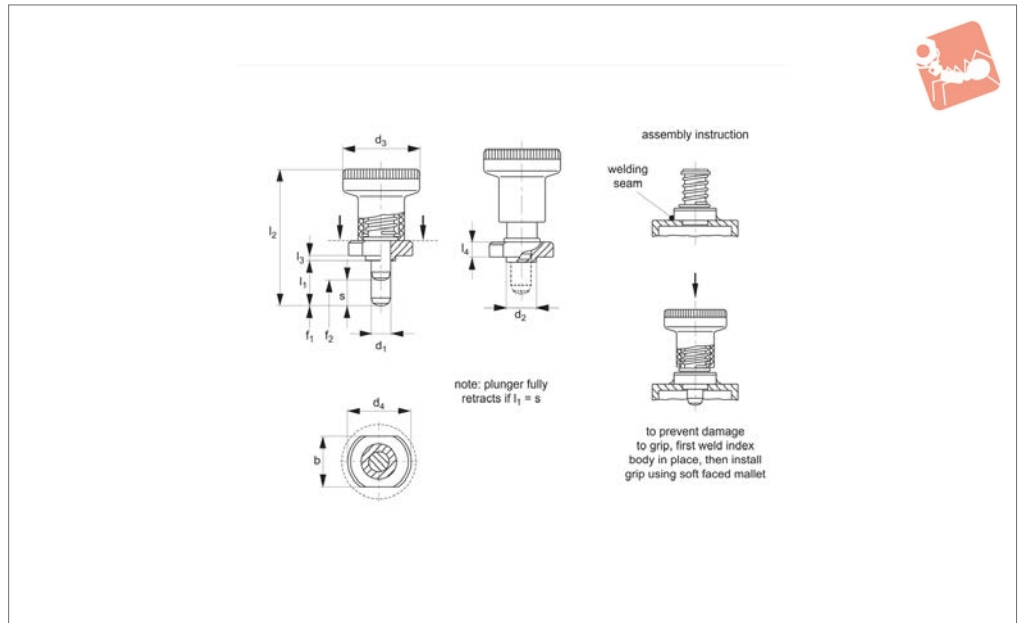
Order No.

- 32720.W0805
- 32720.W0806
- 32720.W0808
- 32720.W0825
- 32720.W0826
- 32720.W0828





32762



Material

Body: steel blackened.
 Locking Pin: hardened.
 Grip: black matte finish, not removable.

Technical Notes

„**Locking**“ type- enable pin to be held in retracted position; pull back grip, turn 90° to engage ‚locking‘ on a notched catch.

„**Non Locking**“ type- pin simply springs back when grip released.

Installation requires welding of plunger body to component. To avoid damage to plastic grip, item is supplied part assembled. Grip is driven in indexing mechanism with a light mallet. Non removable once installed.

Pin does not fully retract in all cases - note dimension ,s‘ the stroke of the pin, i.e. the amount by which the pin retracts when actuated.

Temperature resistance -30°C to +80°C

Tips

Spring load* = statistical average.

Important Notes

Only parts 32762.W0826,W0828,W0836 and W0838 have fully retractable index bolt. Bolt of other parts do not fully retract into body, instead bolt will protrude by l_1-s when grip actuated.

Order No.	Type	d_1 -0.02 -0.1	l_1	b	d_2 -0.02 -0.04	d_3	Weight g
32762.W0826	Non Locking	6	6	18	10	25	35
32762.W0828	Non Locking	8	8	20	12	31	55
32762.W0829	Non Locking	8	18	20	12	31	60
32762.W0836	Locking	6	6	18	10	25	35
32762.W0839	Locking	8	18	20	12	31	60
32762.W0827	Non Locking	6	14	18	10	25	36
32762.W0837	Locking	6	14	18	10	25	36
32762.W0838	Locking	8	8	20	12	31	55

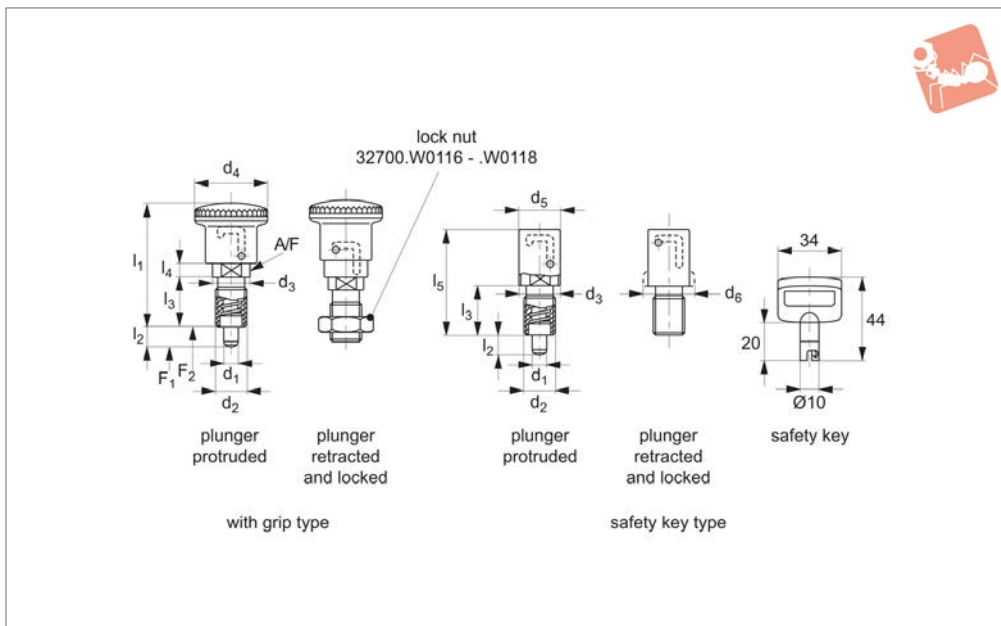
Order No.	d_4	l_2	l_3	l_4	s	Spring load F_1 N ≈	Spring load F_2 N ≈	Axial load N
32762.W0826	22	37	1.5	5.5	6	8.5	22	400
32762.W0828	25	44	2.0	6.5	8	15.5	28	500
32762.W0829	25	44	2.0	6.5	8	15.5	28	500
32762.W0836	22	37	1.5	5.5	6	8.5	22	400
32762.W0839	25	44	2.0	6.5	8	15.5	28	500
32762.W0827	22	37	1.5	5.5	6	8.5	22	400
32762.W0837	22	37	1.5	5.5	6	8.5	22	400
32762.W0838	25	44	2.0	6.5	8	15.5	28	500



Index plungers - Pull Grip

locking - tamper resistant - pin protruding at start

Index Plunger & Pins



32781

INDEX PLUNGER & PINS

Material

Body: free cutting steel, zinc plated, blue passivated.

Pin: stainless steel, 1.4305 (AISI 303).

Spring: stainless steel, 1.4310 (AISI 301).

Grip: thermoplastic PA6, black.

Technical Notes

Tamper resistant against unauthorised or accidental actuation.

At start position pin is protruding, when lever is actuated pin retracts.

Two different types available;

with grip - enables pin to be held in retracted/non projecting position; pull back grip, turn 90° to engage ,locking' via a deep notch in plunger body.

with safety key - use key to hold pin in retracted/non-projecting position; acuate

key (please order seperately) turn 90° to engage ,locking via a deep notch in plunger body.

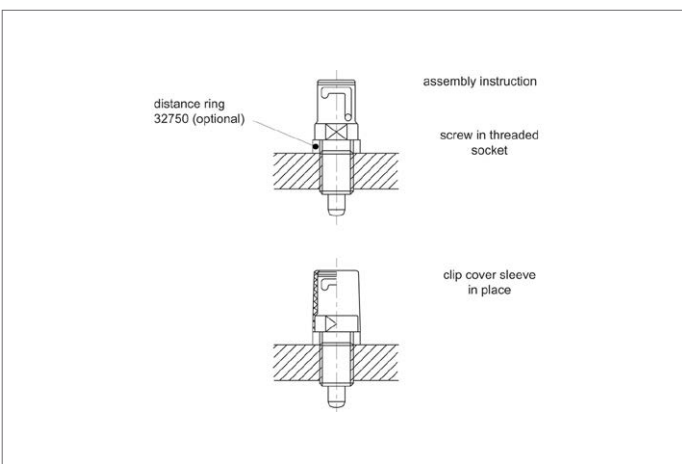
Lock nuts sold separately See products 65690 and 65692

Tips

Grip non-removable.

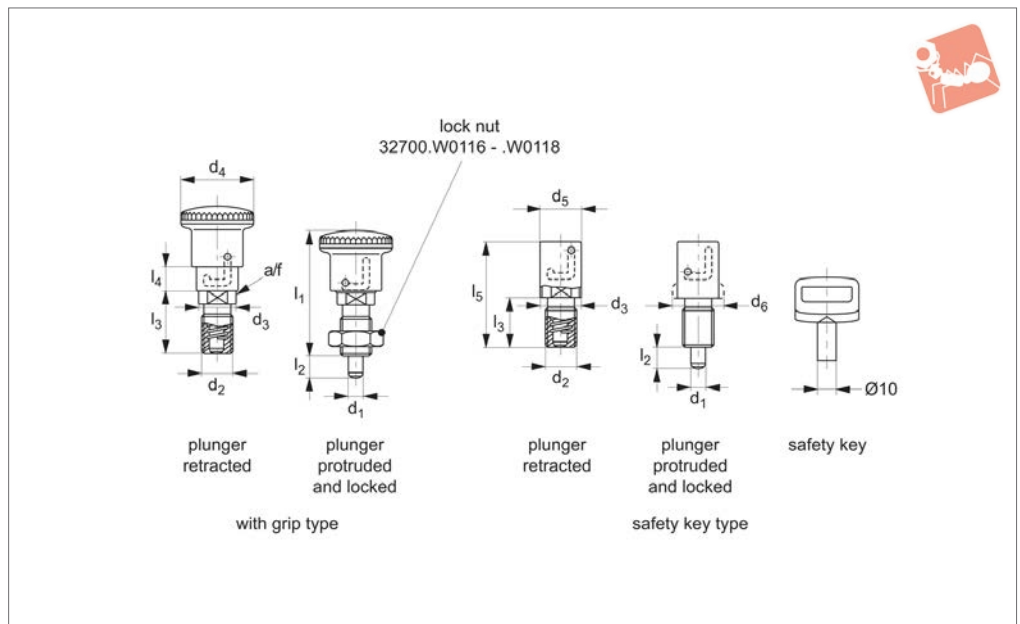
Spring loads* = statistical average.

Order No.	Type	d ₁ 0 -0.05	d ₂	d ₃	d ₄	d ₅	d ₆	l ₁ ≈	l ₂	l ₃	l ₄ ≈	l ₅	A/F	Spring load F ₁ N ≈	Spring load F ₂ N ≈	Weight kg
32781.W0006	With Grip	6	M12x1,5	16	28	17		50	8	20	6	43	14	13	28	0,05
32781.W0008	With Grip	8	M16x1,5	18	28	17	20	52	10	22	6	48	16	14	38	0,05
32781.W0026	For Safety key	6	M12x1,5	16	28	17		50	8	20	6	43	14	13	28	0,03
32781.W0028	For Safety key	8	M16x1,5	18	28	17	20	52	10	22	6	48	16	14	38	0,05
32781.W0998	Safety key															





32782



Material

Body: free cutting steel, zinc plated, blue passivated.

Pin: stainless steel, 1.4305 (AISI 303).

Spring: stainless steel, 1.4301 (AISI301).

Grip: thermoplastic PA6, black.

Technical Notes

Tamper resistant against unauthorised or accidental actuation.

At start position pin is retracted, when lever is actuated pin protrudes.

Two different types available;

with grip - use key to hold pin in protruding position; pull back grip, turn 90° to engage ,locking' via a deep notch in plunger body.

with safety key - use key to hold pin in

protruding position; acuate key (please order seperately) turn 90° to engage ,locking via a deep notch in plunger body.

Lock nuts sold separately See products 65690 and 65692

Tips

Grip non-removable.

Spring loads* = statistical average.

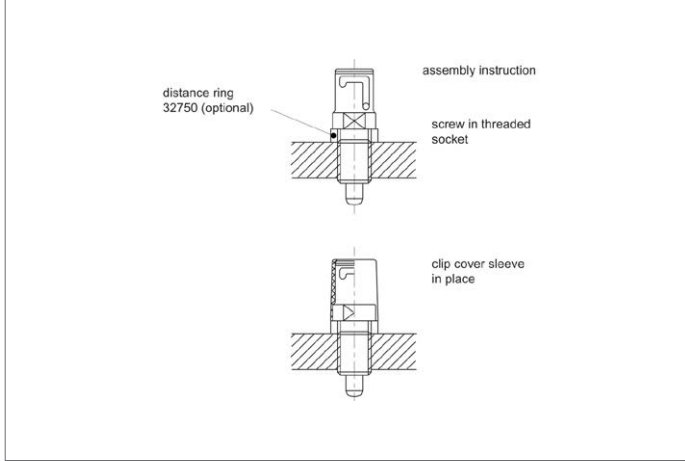
Order No.	Type	d ₁ 0 -0.05	d ₂	d ₃	d ₄	d ₅	Weight kg
32782.W0356	With Grip	6	M12x1,5	16	28	17	0.05
32782.W0358	With Grip	8	M16x1,5	18	28	17	0.05
32782.W0366	For Safety Key	6	M12x1,5	16	28	17	0.05
32782.W0368	For Safety Key	8	M16x1,5	18	28	17	0.05
32782.W0999	Key	-	-	-	-	-	-

Order No.	d ₆	l ₁ ≈	l ₂	l ₃	l ₄ ≈	l ₅	A/F	Spring load F ₁ N ≈	Spring load F ₂ N ≈
32782.W0356	-	51.5	8	20	6	43	14	12	27
32782.W0358	20	54.5	10	22	6	48	16	12	35
32782.W0366	-	51.5	8	20	6	43	14	12	27
32782.W0368	20	54.5	10	22	6	48	16	12	35
32782.W0999	-	-	-	-	-	-	-	-	-



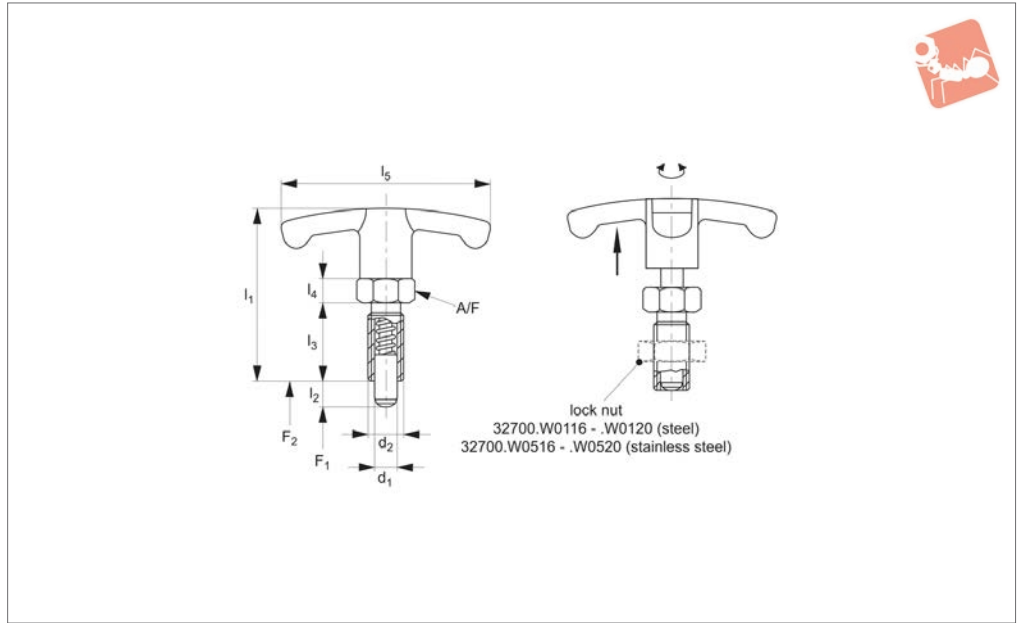
Index plungers - Pull Grip locking - tamper resistant - pin retracted at start

Index Plunger & Pins





32502



Material

Free cutting Steel Type-

Body: Free cutting steel, blackened.

Pin: Steel, hardened.

Grip: Thermoplastic PA6, black, dull.

Stainless Steel Type-

Body: Stainless steel 1.4305 (AISI 303).

Pin: Stainless steel 1.4305 (AISI 303), nickel plated.

Grip: Thermoplastic PA6, black, dull.

Technical Notes

T-handle grip makes for improved hand-

ling, especially when operator is using safety gloves etc.

Thread recess on body allows full engagement of thread length. Hexagon collar improves leverage for secure installation.

„Non Locking“ type- pin simply springs back when grip released.

Lock nuts sold separately. See products 65690 and 65692

Tips

Distance collars no. 32750 can be used to adapt screw length.

Grip non-removable.

Spring loads* = statistical average.

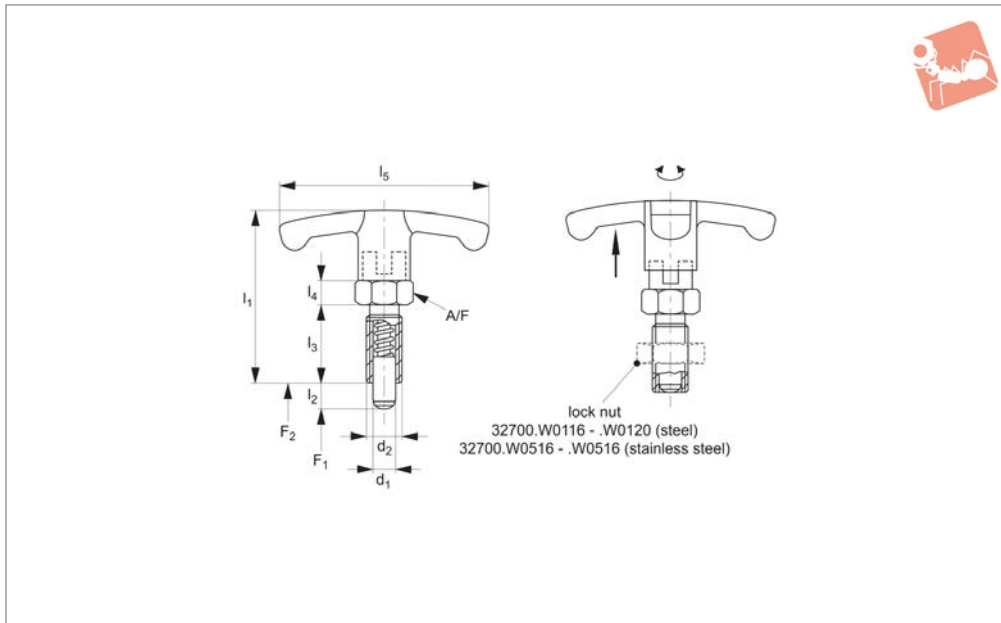
Order No.	Type	Material	d_1 -0.02 -0.04	l_2	d_2	l_1	l_3	l_4	l_5	A/F	Spring load F_1 N ≈	Spring load F_2 N ≈	Weight g
32502.W0820	Non Locking	Steel	6	6	M12x1,5	48	22	6	54	14	6,5	19	31,0
32502.W0822	Non Locking	Steel	6	9	M12x1,5	48	22	6	54	14	6,0	25	32,0
32502.W0824	Non Locking	Steel	8	8	M16x1,5	59	26	8	59	17	8,5	26	64,0
32502.W0826	Non Locking	Steel	8	12	M16x1,5	59	26	8	59	17	8,5	28	65,0
32502.W0828	Non Locking	Steel	10	12	M16x1,5	59	26	8	59	17	9,5	38	66,0
32502.W0830	Non Locking	Steel	12	15	M20x1,5	68	33	10	59	22	11,5	40	120,0
32502.W0920	Non Locking	Stainless steel	6	6	M12x1,5	48	22	6	54	14	6,5	19	31,0
32502.W0922	Non Locking	Stainless steel	6	9	M12x1,5	48	22	6	54	14	6,0	25	32,0
32502.W0924	Non Locking	Stainless steel	8	8	M16x1,5	59	26	8	59	17	8,5	26	64,0
32502.W0926	Non Locking	Stainless steel	8	12	M16x1,5	59	26	8	59	17	8,5	28	65,0
32502.W0928	Non Locking	Stainless steel	10	12	M16x1,5	59	26	8	59	17	9,5	38	66,0
32502.W0930	Non Locking	Stainless steel	12	15	M20x1,5	68	33	10	59	22	11,5	40	120,0



Index Plungers - T-handle Grip

compact - locking

Index Plunger & Pins



32504

INDEX PLUNGER & PINS

Material

Free cutting Steel Type-

Body: free cutting steel, blackened.

Pin: steel, hardened.

Grip: thermplastic PA6, black, dull.

Stainless Steel Type-

Body: stainless steel 1.4305 (AISI 303).

Pin: stainless steel 1.4305 (AISI 303), nickel plated.

Grip: thermosplastic PA6, black, dull.

Technical Notes

T-handle grip makes for improved hand-

ling, especially when operator is using safety gloves etc.

Thread recess on body allows full engagement of thread length. Hexagon collar improves leverage for secure installation.

„Locking“ type- enable pin to be held in retracted/non-projecting position; pull back grip, turn 90° to engage ‚locking‘ on a notched catch.

Lock nuts sold separately. See products 65690 and 65692

Tips

Distance collars no. 32750 can be used to adapt screw length.

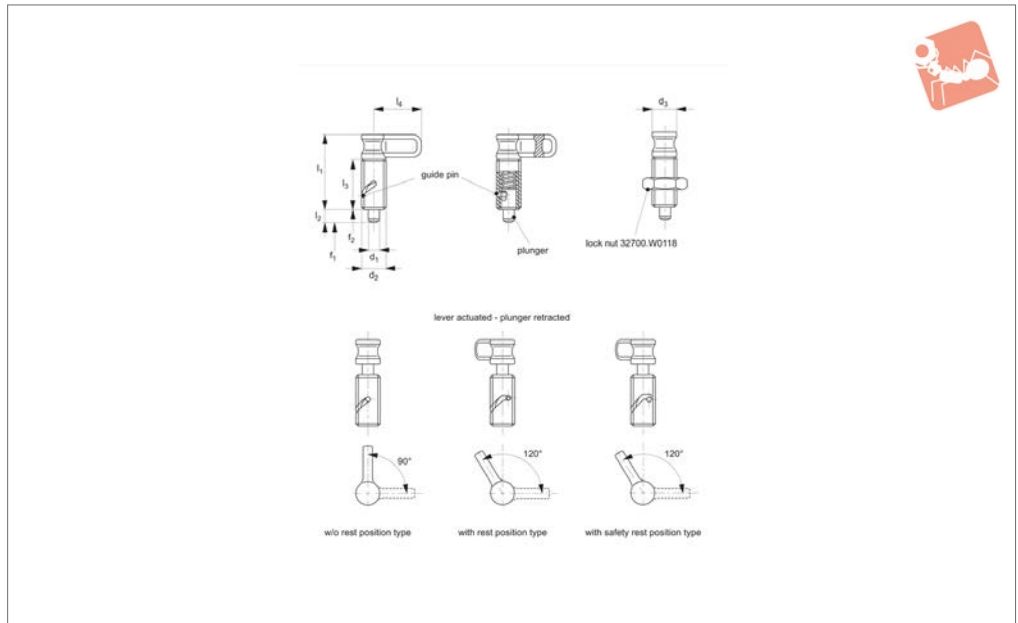
Grip non-removable.

Spring loads* = statistical average.

Order No.	Type	Material	d ₁	l ₂	d ₂	l ₁	l ₃	l ₄	l ₅	A/F	Spring load F ₁ N ≈	Spring load F ₂ N ≈	Weight g
32504.W0832	Locking	Steel	6	6	M12x1,5	48	22	6	54	14	6.5	19	33.0
32504.W0834	Locking	Steel	6	9	M12x1,5	48	22	6	54	14	6.0	25	34.0
32504.W0836	Locking	Steel	8	8	M16x1,5	59	26	8	59	17	8.5	26	68.0
32504.W0838	Locking	Steel	8	12	M16x1,5	59	26	8	59	17	8.5	28	71.0
32504.W0840	Locking	Steel	10	12	M16x1,5	59	26	8	59	17	9.5	38	72.0
32504.W0842	Locking	Steel	12	15	M20x1,5	68	33	10	59	22	11.5	40	127.0
32504.W0932	Locking	Stainless	6	6	M12x1,5	48	22	6	54	14	6.5	19	33.0
32504.W0934	Locking	Stainless	6	9	M12x1,5	48	22	6	54	14	6.0	25	34.0
32504.W0936	Locking	Stainless	8	8	M16x1,5	59	26	8	59	17	8.5	26	68.0
32504.W0938	Locking	Stainless	8	12	M16x1,5	59	26	8	59	17	8.5	28	71.0
32504.W0940	Locking	Stainless	10	12	M16x1,5	59	26	8	59	17	9.5	38	72.0
32504.W0942	Locking	Stainless	12	15	M20x1,5	68	33	10	59	22	11.5	40	127.0



32491



Material

Body: steel zinc plated, blue passivated.
Pin: stainless steel 1.4305 (AISI 303).
Grip/Lever: thermoplastic, black.

Technical Notes

At start position locking pin is protruding, when lever is actuated locking pin retracts.

The lever can be turned anti-clockwise by 90° or 120°, over a cam guide, to retract

the pin.

Three different types available;

1) without rest position- sprung loaded pin which springs back to start position whenever released.

2) with rest position- pin held in retracted position via indexed notch on cam.

3) with safety rest position- pin held in retracted position via deep notch, to avoid

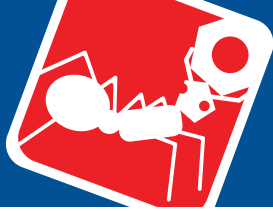
accidental actuation, lever must first be pulled out of notch prior to release.

Lock nuts sold separately. See products 65690 and 65692

Tips

Spring Loads* = statistical average.

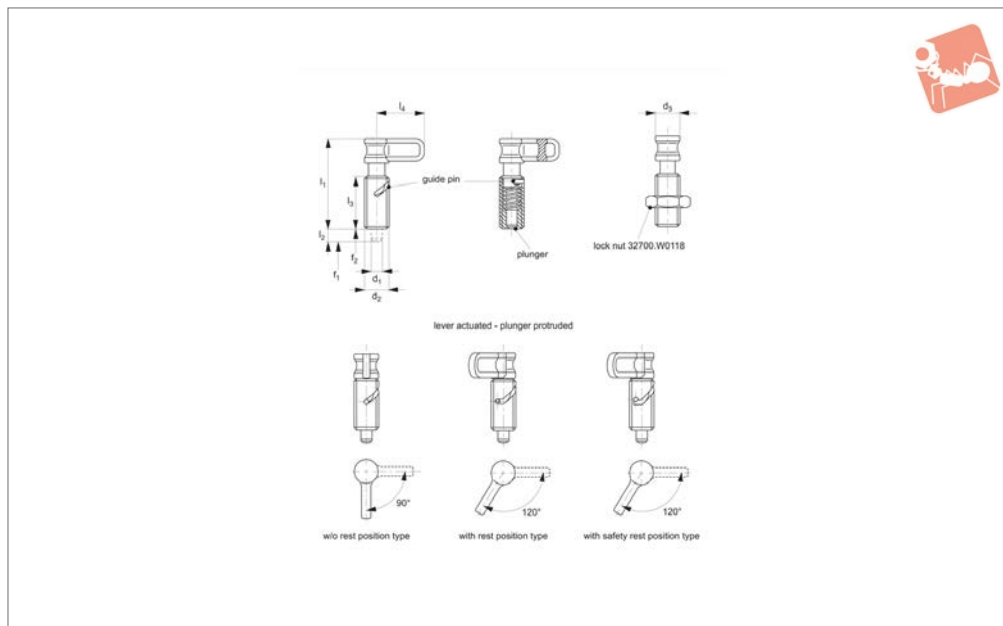
Order No.	Type	d ₁	d ₂	d ₃	l ₁ ≈	l ₂	l ₃ min.	l ₄	Spring load F ₁ N ≈	Spring load F ₂ N ≈
32491.W0006	W/o Rest Position - Spring Back	6	M16x1,5	16	51	8	35	32	6.5	20
32491.W0007	W/o Rest Position - Spring Back	8	M16x1,5	16	51	8	35	32	6.5	20
32491.W0009	W/o Rest Position - Spring Back	10	M16x1,5	16	51	8	35	32	6.5	20
32491.W0356	With Rest Position	6	M16x1,5	16	51	8	35	32	6.5	20
32491.W0357	With Rest Position	8	M16x1,5	16	51	8	35	32	6.5	20
32491.W0359	With Rest Position	10	M16x1,5	16	51	8	35	32	6.5	20
32491.W0456	With Safety Rest Position	6	M16x1,5	16	51	8	35	32	6.5	20
32491.W0457	With Safety Rest Position	8	M16x1,5	16	51	8	35	32	6.5	20
32491.W0459	With Safety Rest Position	10	M16x1,5	16	51	8	35	32	6.5	20



Index Plungers - Lever Grip

pin retracted at start

Index Plunger & Pins



32492

INDEX PLUNGER & PINS

Material

Body: steel, zinc plated, blue passivated.
Pin: stainless steel, 1.4305 (AISI 303).
Grip/Lever: thermoplastic, black.

Technical Notes

At start position locking pin is retracted, when lever is actuated locking pin protrudes.

The lever can be turned anti-clockwise by

90° or 120°, over a cam guide, to extend the pin.

Three different types available;

1) without rest position- sprung loaded pin which springs back to start position whenever released.

2) with rest position- pin held in protruding position via indexed notch on cam,

3) with safety rest position- pin held in

protruding position via deep notch, to avoid accidental actuation, lever must first be pulled out of notch prior to release.

Lock nuts sold separately. See products 65690 and 65692

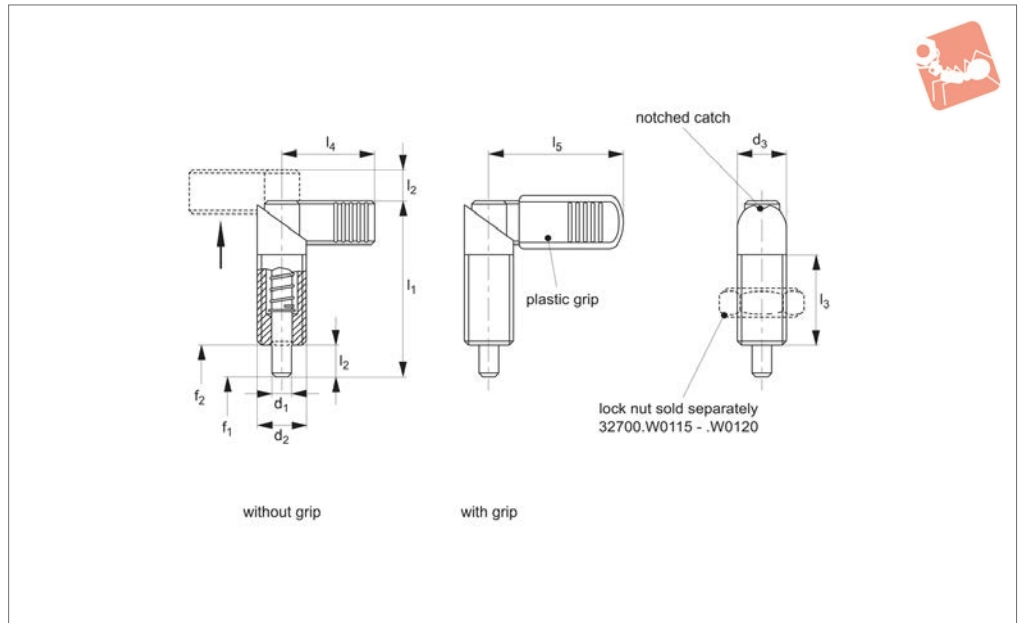
Tips

Spring Loads* = statistical average.

Order No.	Type	d ₁	d ₂	d ₃	l ₁ ≈	l ₂	l ₃ min.	l ₄	Spring load F ₁ N ≈	Spring load F ₂ N ≈
32492.W0326	W/o Rest Position - Spring Back	6	M16x1,5	16	60	8	35	32	7	16.5
32492.W0327	W/o Rest Position - Spring Back	8	M16x1,5	16	60	8	35	32	7	16.5
32492.W0366	With Rest Position	6	M16x1,5	16	60	8	35	32	7	16.5
32492.W0367	With Rest Position	8	M16x1,5	16	60	8	35	32	7	16.5
32492.W0466	With Safety Rest Position	6	M16x1,5	16	60	6	35	32	7	16.5
32492.W0467	With Safety Rest Position	8	M16x1,5	16	60	6	35	32	7	16.5



32500



Material

Body: free-cutting steel, blackened.

Pin: hardened steel.

Plastic grip: thermoplastic, black, dull.

Technical Notes

Turn lever 180° to retract pin. To enable

pin to be held in retracted position, secure lever in notched catch on plunger body.

Plastic grip type, improves handling.

Temperature resistance of type with plastic grip is -30°C to +80°C

Lock nuts sold separately. See products 65690 and 65692

Tips

Spring loads * = statistical average.

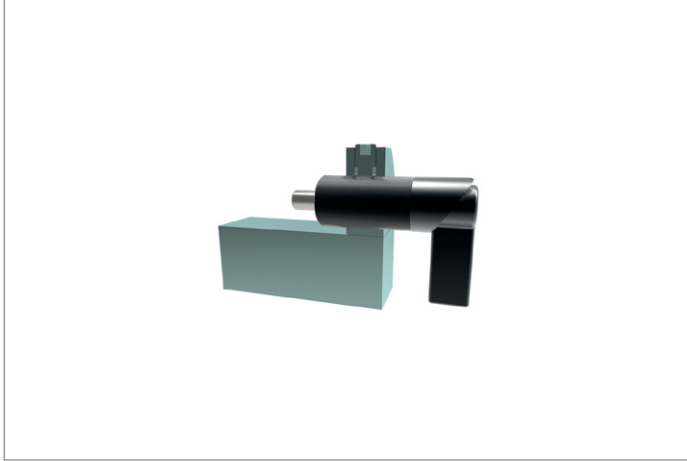
Order No.	Type	d_1 -0.02 -0.04	d_2	d_3	l_1 ≈	l_2 min.	l_3 +1.5	l_4	l_5	Spring load F_1 N ≈	Spring load F_2 N	Weight g
32500.W0000	Without Grip	4	M10x1,0	10	37.5	6	19	21	-	8.5	25.0	17.0
32500.W0001	Without Grip	5	M10x1,0	10	37.5	6	19	21	-	8.5	25.0	18.0
32500.W0002	Without Grip	6	M10x1,0	10	37.5	6	19	21	-	8.5	25.0	18.0
32500.W0003	Without Grip	5	M12x1,5	12	47.0	8	26	26	-	8.5	19.5	29.0
32500.W0004	Without Grip	6	M12x1,5	12	47.0	8	26	26	-	8.5	19.5	29.0
32500.W0006	Without Grip	6	M16x1,5	16	56.0	10	30	32	-	11.5	30.5	59.0
32500.W0005	Without Grip	8	M12x1,5	12	47.0	8	26	26	-	8.5	19.5	30.0
32500.W0007	Without Grip	8	M16x1,5	16	56.0	10	30	32	-	11.5	30.5	61.0
32500.W0008	Without Grip	8	M20x1,5	20	69.0	12	36	37	-	21.0	57.5	121.0
32500.W0009	Without Grip	10	M16x1,5	16	56.0	10	30	32	-	11.5	30.5	64.0
32500.W0010	Without Grip	10	M20x1,5	20	69.0	12	36	37	-	21.0	57.5	123.0
32500.W0012	Without Grip	12	M20x1,5	20	69.0	12	36	37	-	21.0	57.5	127.0
32500.W0353	With Grip	5	M12x1,5	12	47.0	8	26	-	32	8.5	19.5	30.0
32500.W0354	With Grip	6	M12x1,5	12	47.0	8	26	-	32	8.5	19.5	30.0
32500.W0356	With Grip	6	M16x1,5	16	56.0	10	30	-	42	11.5	30.5	61.0
32500.W0355	With Grip	8	M12x1,5	12	47.0	8	26	-	32	8.5	19.5	32.0
32500.W0357	With Grip	8	M16x1,5	16	56.0	10	30	-	42	11.5	30.5	63.0
32500.W0358	With Grip	8	M20x1,5	20	69.0	12	36	-	52	21.0	57.5	124.0
32500.W0359	With Grip	10	M16x1,5	16	56.0	10	30	-	42	11.5	30.5	66.0
32500.W0360	With Grip	10	M20x1,5	20	69.0	12	36	-	52	21.0	57.5	128.0
32500.W0362	With Grip	12	M20x1,5	20	69.0	12	36	-	52	21.0	57.5	131.0



Index Plungers - Lever Grip

locking - steel

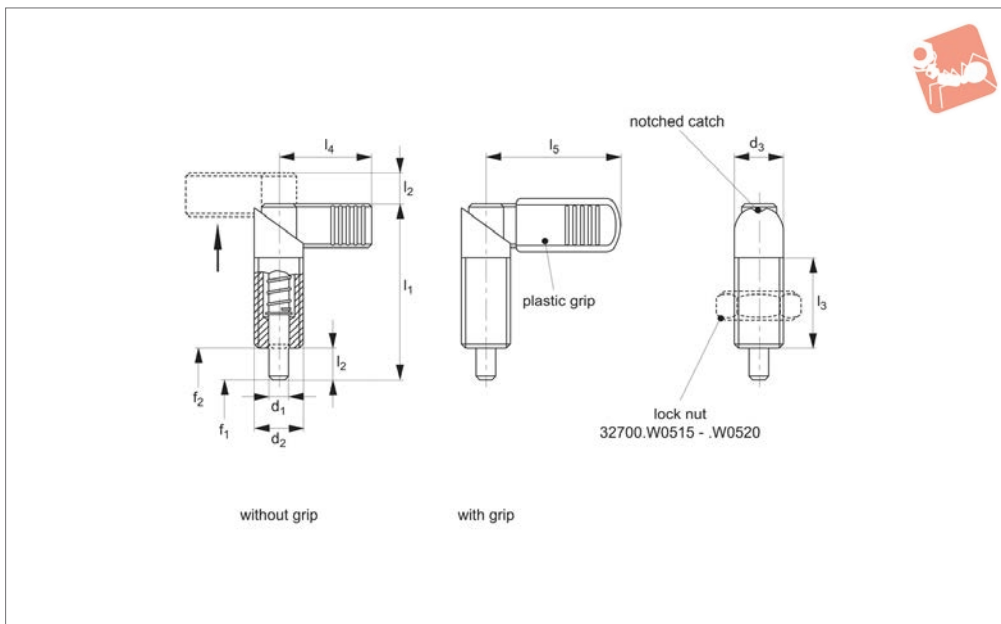
Index Plunger & Pins



INDEX PLUNGER & PINS



32501



Material

Body: stainless steel 1.4305 (AISI 303).

Pin: stainless steel 1.4305 (AISI 303).

Plastic Grip: thermoplastic, black, dull.

Technical Notes

Turn lever 180° to retract pin. To enable

pin to be held in retracted position, secure lever in notched catch on plunger body.

Plastic grip type, improves handling.
Temperature resistance of type with plastic grip is -30°C to +80°C

Lock nuts sold separately. See products 65690 and 65692

Tips

Spring loads * = statistical average.

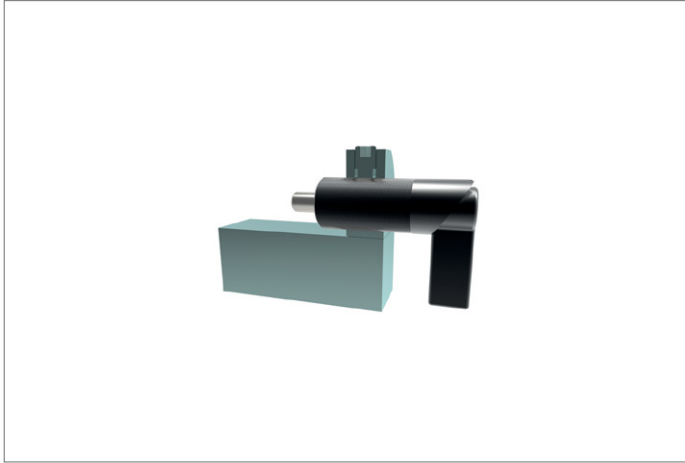
Order No.	Type	d_1 -0.02 ^{-0.04}	d_2	d_3	l_1 ≈	l_2 min.	l_3 +1.5	l_4	l_5	Spring load F_1 N ≈	Spring load F_2 N	Weight g
32501.W0308	Without Grip	4	M10x1,0	10	37.5	6	19	21	-	8.5	25.0	17
32501.W0310	Without Grip	5	M10x1,0	10	37.5	6	19	21	-	8.5	25.0	18
32501.W0312	Without Grip	6	M10x1,0	10	37.5	6	19	21	-	8.5	25.0	18
32501.W0323	Without Grip	5	M12x1,5	12	47	8	26	26	-	8.5	19.5	29.0
32501.W0324	Without Grip	6	M12x1,5	12	47	8	26	26	-	8.5	19.5	29.0
32501.W0326	Without Grip	6	M16x1,5	16	56	10	30	32	-	11.5	30.5	59.0
32501.W0325	Without Grip	8	M12x1,5	12	47	8	26	26	-	8.5	19.5	30.0
32501.W0327	Without Grip	8	M16x1,5	16	56	10	30	32	-	11.5	30.5	61.0
32501.W0328	Without Grip	8	M20x1,5	20	69	12	36	37	-	21.0	57.5	121.0
32501.W0329	Without Grip	10	M16x1,5	16	56	10	30	32	-	11.5	30.5	64.0
32501.W0330	Without Grip	10	M20x1,5	20	69	12	36	37	-	21.0	57.5	123.0
32501.W0332	Without Grip	12	M20x1,5	20	69	12	36	37	-	21.0	57.5	127.0
32501.W0363	With Grip	5	M12x1,5	12	47	8	26	-	32	8.5	19.5	30.0
32501.W0364	With Grip	6	M12x1,5	12	47	8	26	-	32	8.5	19.5	30.0
32501.W0366	With Grip	6	M16x1,5	16	56	10	30	-	42	11.5	30.5	61.0
32501.W0365	With Grip	8	M12x1,5	12	47	8	26	-	32	8.5	19.5	32.0
32501.W0367	With Grip	8	M16x1,5	16	56	10	30	-	42	11.5	30.5	63.0
32501.W0368	With Grip	8	M20x1,5	20	69	12	36	-	52	21.0	57.5	124.0
32501.W0369	With Grip	10	M16x1,5	16	56	10	30	-	42	11.5	30.5	66.0
32501.W0370	With Grip	10	M20x1,5	20	69	12	36	-	52	21.0	57.5	128.0
32501.W0372	With Grip	12	M20x1,5	20	69	12	36	-	52	21.0	57.5	131.0



Index Plungers - Lever Grip

locking - stainless

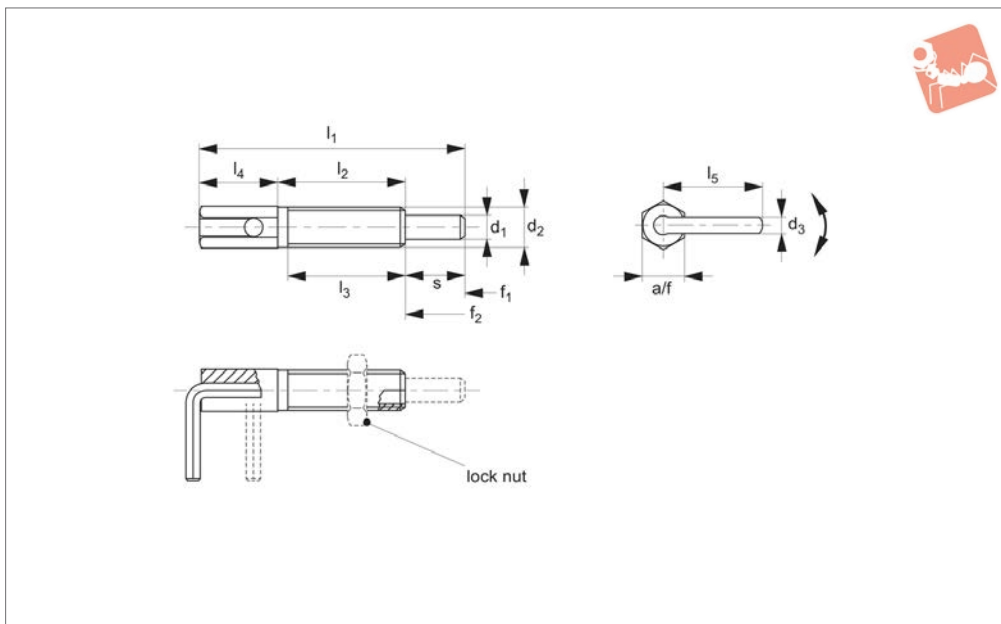
Index Plunger & Pins



INDEX PLUNGER & PINS



32555



Material

Body: free cutting steel, zinc plated.

Pin: steel, galvanised.

Lever: steel, galvanised.

Technical Notes

Pull back and turn lever 180° to retract pin.

To enable pin to be held in retracted position, secure lever in notched catch on plunger body.

For applications where high precision is not required.

Coarse thread.

Temperature resistance up to 250°C

Lock nuts sold separately. See products 65690 and 65692

Tips

Spring loads* = statistical average.

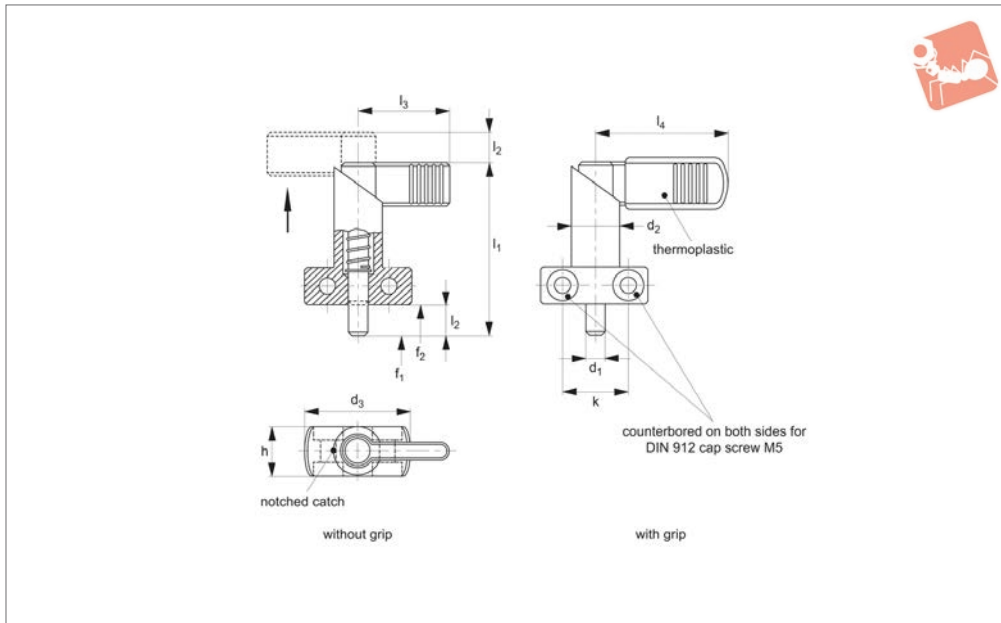
Order No.	Type	d ₁	d ₂	d ₃	l ₁	l ₂	l ₃	l ₄	l ₅	s	A/F	Spring load	Spring load	Tightening	Weight
												F ₁ N ≈	F ₂ N ≈	torque Nm max.	g
32555.W0105	Locking	4	M 6x1,00	2,3	41,5	20,0	17,0	12,0	15,5	9,5	6	3,0	10,0	1,6	6
32555.W0110	Locking	5	M 8x1,25	3,0	54,0	27,0	24,0	15,0	19,2	12,0	8	3,5	13,5	4,5	14
32555.W0115	Locking	6	M10x1,50	3,5	65,0	33,5	30,0	17,5	22,9	14,0	10	4,0	16,0	10,0	26
32555.W0120	Locking	8	M12x1,75	4,7	73,0	31,8	28,0	22,2	31,2	19,0	12	4,0	22,0	13,0	55
32555.W0125	Locking	10	M16x2,00	4,7	102,5	50,5	44,5	27,0	32,7	25,0	16	4,0	23,0	42,0	103



Index Plungers - Lever Grip

flange mounting - locking

Index Plunger & Pins



32520

INDEX PLUNGER & PINS

Material

Body & Lever: free cutting steel, blackened.
 Pin: steel, nitrided, black.
 Plastic Grip: thermoplastic, black, dull.

Technical Notes

Turn lever 180° to retract pin. To enable

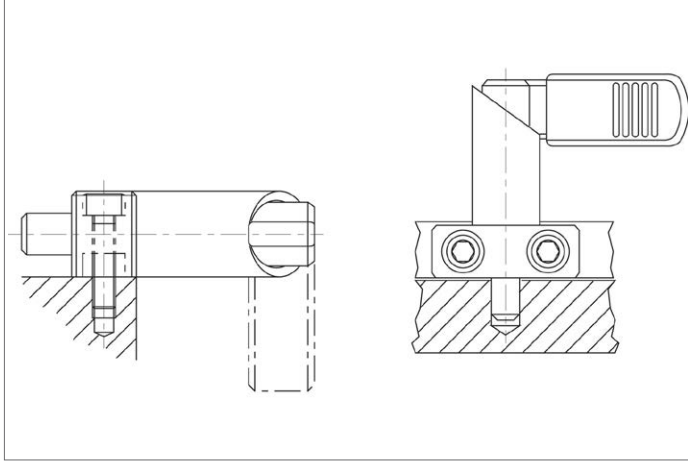
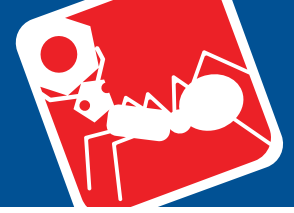
pin to be held in retracted position, secure lever in notched catch on plunger body.
 Countersunk holes on both sides of mounting flange enable both right or left mounting.
 Plastic grip type, improves handling.
 Temperature resistance of type with plastic

grip is -30°C to +80°C.

Tips

Spring loads * = statistical average.

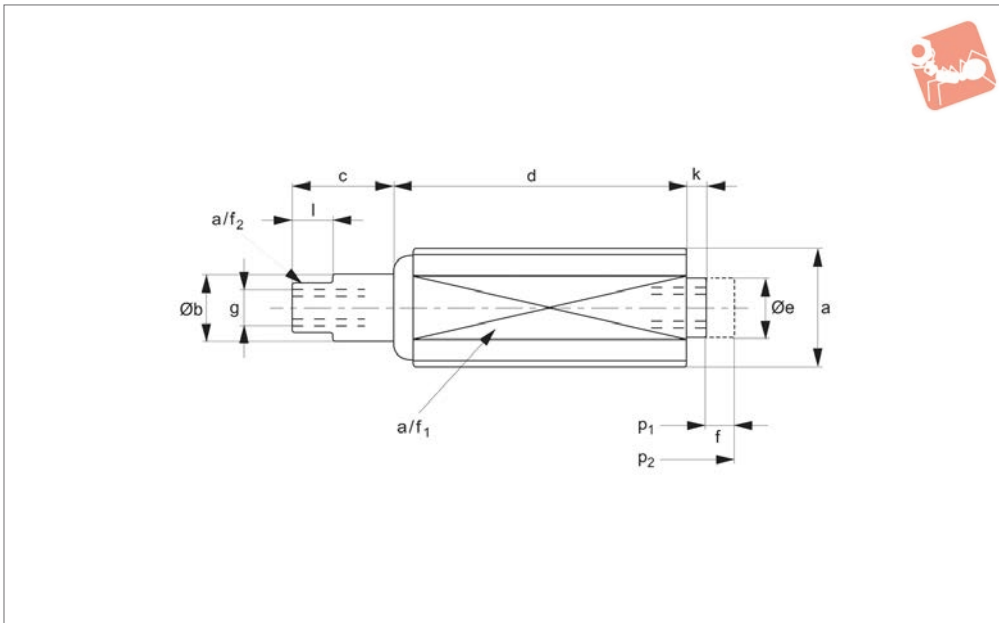
Order No.	Type	d ₁ 0 -0.05	l ₂	d ₂	d ₃	h	k	l ₁	l ₃	l ₄	s	Spring load F ₁ N ≈	Spring load F ₂ N ≈	Weight g
32520.W0376	Without Grip	6	10	16	35	16	20	56	32	-	12	12	32	82
32520.W0378	Without Grip	8	10	16	35	16	20	56	32	-	12	12	32	85
32520.W0379	Without Grip	8	12	20	40	20	22	69	37	-	15	21	58	163
32520.W0381	Without Grip	10	10	16	35	16	20	56	32	-	12	12	32	85
32520.W0382	Without Grip	10	12	20	40	20	22	69	37	-	15	21	58	167
32520.W0384	Without Grip	12	12	20	40	20	22	69	37	-	15	21	58	168
32520.W0386	With Grip	6	10	16	35	16	20	56	-	42	12	12	32	83
32520.W0388	With Grip	8	10	16	35	16	20	56	-	42	12	12	32	85
32520.W0389	With Grip	8	12	20	40	20	22	69	-	52	15	21	58	169
32520.W0391	With Grip	10	10	16	35	16	20	56	-	42	12	12	32	86
32520.W0392	With Grip	10	12	20	40	20	22	69	-	52	15	21	58	171
32520.W0394	With Grip	12	12	20	40	20	22	69	-	52	15	21	58	171





Index plungers - Push-Pull non-locking

Index Plunger & Pins



32790

INDEX PLUNGER & PINS

Material

Body: steel, blue galvanised.
Pins: steel, burnished.

Technical Notes

Ideal for either pressure (push) and

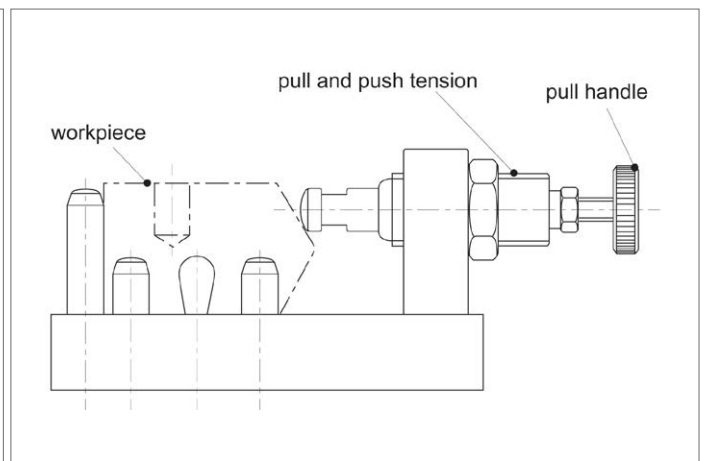
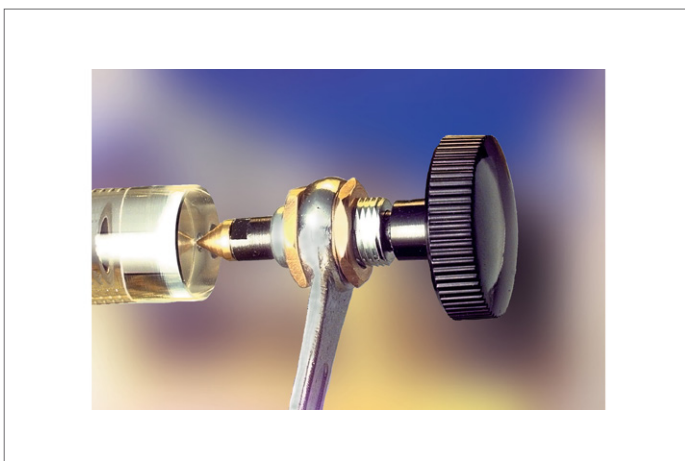
tension (pull) applications, due to the unique designs spring loaded pin with threads at both ends to allow installation of your own adaptor or handle.

A wide range of application: pressure

bolts, holding or magnets etc.

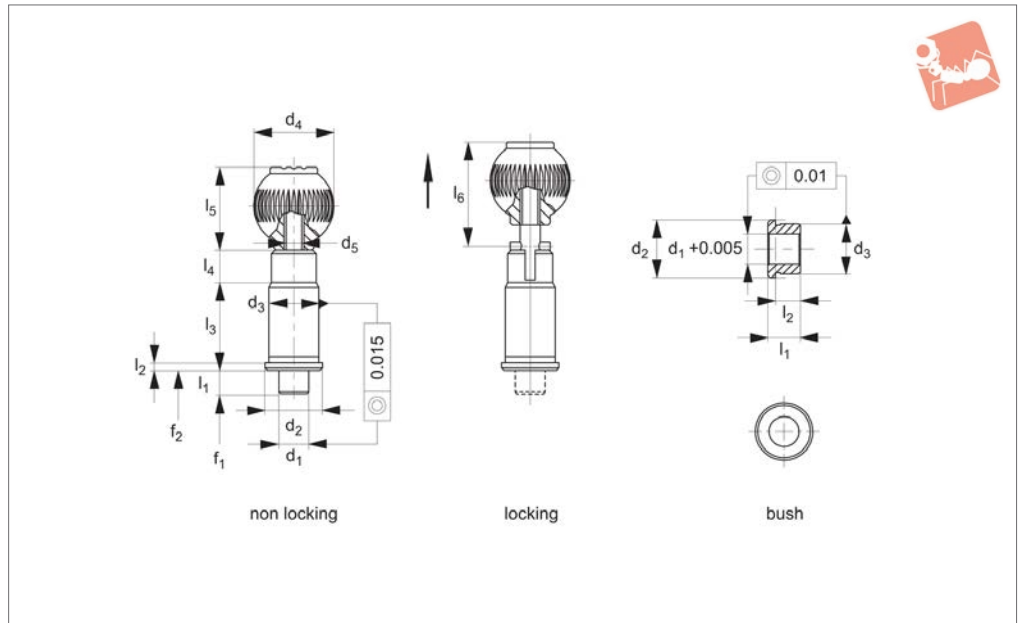
Requires very small space requirements.

Order No.	a	Øb	c	d ₁	Øe	f	g	A/F ₁	k	l	p ₁ N	p ₂ N	A/F ₂	Weight g
32790.W0120	M12	7	4.5	11.0	6	3.5	M 4x8	10	1.5	5	5	20	6	5
32790.W0121	M12	7	7.0	18.5	6	6.0	M 4x8	10	1.5	5	5	20	6	8
32790.W0122	M12	7	11.0	26.0	6	10.0	M 4x8	10	1.5	5	5	20	6	12
32790.W0130	M12	7	4.5	11.0	6	3.0	M 4x8	10	1.5	5	15	80	6	5
32790.W0131	M12	7	7.0	18.5	6	5.0	M 4x8	10	1.5	5	15	80	6	8
32790.W0132	M12	7	11.0	26.0	6	8.0	M 4x8	10	1.5	5	15	80	6	12
32790.W0140	M12	7	4.5	11.0	6	3.0	M 4x8	10	1.5	5	30	125	6	5
32790.W0141	M12	7	7.0	18.5	6	5.0	M 4x8	10	1.5	5	30	125	6	8
32790.W0142	M12	7	11.0	26.0	6	8.0	M 4x8	10	1.5	5	30	125	6	13
32790.W0180	M18x1,5	11	6.0	17.0	10	4.0	M 6x12	16	2.0	6	50	150	9	22
32790.W0181	M18x1,5	11	11.5	29.5	10	7.0	M 6x12	16	2.0	6	50	150	9	43
32790.W0182	M18x1,5	11	16.0	45.5	10	12.5	M 6x12	16	2.0	6	50	150	9	66





32460



Material

Pin, Body & Bush: case-hardened steel, blackened and ground.
Grip: thermoplastic, black.

Technical Notes

Supplied part assembled to enable precise setting, grip and body must be glued after

mounting. Non removable once installed.

„Locking“ type - enable pin to be held in retracted/non-projecting position; pull back grip, turn 90 to engage „locking“ on a notched catch.

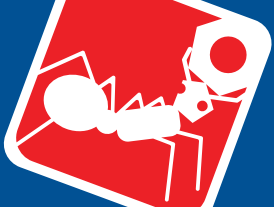
„Non Locking“ type - pin simply springs

back when grip released.

Tips

When used for alignment of two sub-plates, the plunger's precise finish guarantees high repetition accuracy.
Spring loads * = statistical average.

Order No.	Type	d_1 -0.005 -0.01	d_2	d_3 tol. n6	d_4	d_5	l_1 min.	l_2	l_3	l_4	l_5	l_6	Spring load F_1 N ≈	Spring load F_2 N ≈	Weight g
32460.W0010	Non Locking	10	19	16	25	M 6	10	2,5	31	13	25,0		15	30	79
32460.W0012	Non Locking	12	23	20	32	M 8	10	3,0	35	13	33,0		15	35	138
32460.W0016	Non Locking	16	28	25	40	M10	10	3,0	42	13	41,5		20	50	226
32460.W0020	Non Locking	20	33	30	40	M10	10	3,0	50	13	41,5		36	63	350
32460.W0025	Non Locking	25	42	38	50	M10	10	3,0	60	13	51,0		20	73	649
32460.W0060	Locking	10	19	16	25	M 6	10	2,5	31	13	25,0	36,5	15	30	79
32460.W0062	Locking	12	23	20	32	M 8	10	3,0	35	13	33,0	44,5	15	35	136
32460.W0066	Locking	16	28	25	40	M10	10	3,0	42	13	41,5	53,0	20	50	228
32460.W0070	Locking	20	33	30	40	M10	10	3,0	50	13	41,5	53,0	36	63	350
32460.W0075	Locking	25	42	38	50	M10	10	3,0	60	13	51,0	62,5	20	73	649
32460.W0090	Bush	10	19	16			11	8,5							11
32460.W0092	Bush	12	23	20			13	10,0							22
32460.W0093	Bush	16	28	25			17	14,0							40
32460.W0094	Bush	20	33	30			16	13,0							51
32460.W0096	Bush	25	42	38			19	16,0							99



Index Plungers - Precision cylindrical pin

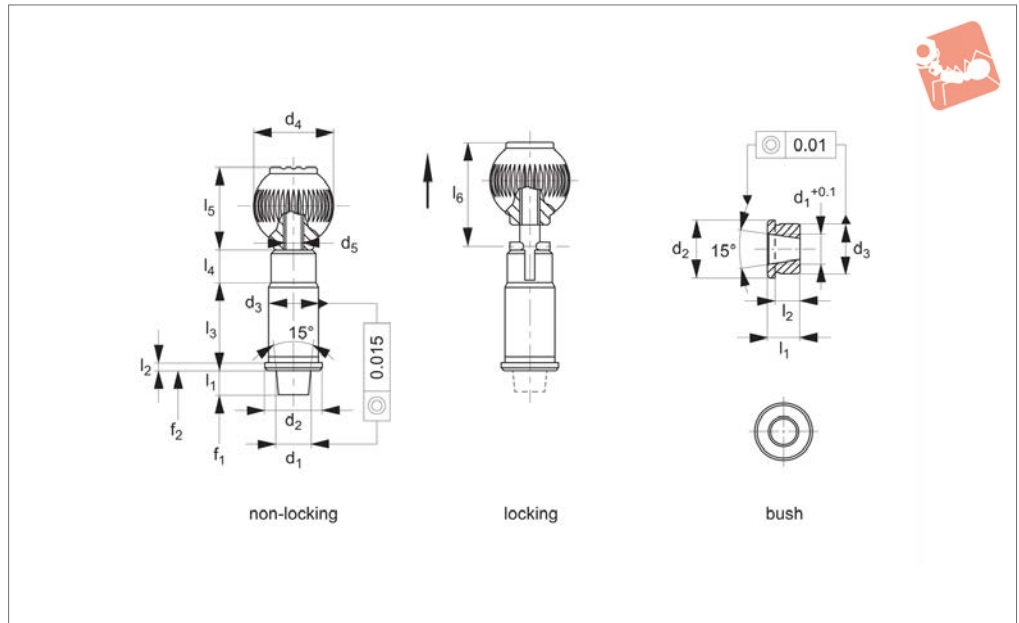
Index Plunger & Pins



INDEX PLUNGER & PINS



32480



Material

Pin, body & bush: case hardened steel, blackened and ground.
Grip: thermoplastic, black.

Technical Notes

Supplied part assembled to enable precise setting, grip and body must be glued after

mounting. Non removable once installed.

„**Locking**” type - enable pin to be held in retracted/non-projecting position; pull back grip, turn 90° to engage ‚locking’ on a notched catch.

„**Non Locking**” type - pin simply springs

back when grip released.

Tips

When used for alignment of two sub-plates, the plunger’s precise finish on pin allows easier alignment of pin and bushing.

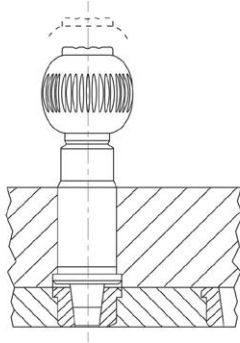
Spring loads * = statistical average.

Order No.	Type	Dia. Ø nom.	d ₁	d ₂	d ₃ tol. n6	d ₄	d ₅	l ₁ min.	l ₂	l ₃	l ₄	l ₅	l ₆	Spring load F ₁ N ≈	Spring load F ₂ N ≈	Weight g
32480.W0110	Non Locking	10	10,00	19	16	25	M 6	6	2,5	31	13	25,0		19	29	78
32480.W0112	Non Locking	12	12,00	23	20	32	M 8	6	3,0	35	13	33,0		22	35	135
32480.W0116	Non Locking	16	16,00	28	25	40	M10	6	3,0	42	13	41,5		30	50	227
32480.W0120	Non Locking	20	20,00	33	30	40	M10	6	3,0	50	13	41,5		46	63	348
32480.W0125	Non Locking	25	25,00	42	38	50	M10	6	3,0	60	13	51,0		39	73	654
32480.W0160	Locking	10	10,00	19	16	25	M 6	6	2,5	31	13	25,0	32,5	19	29	78
32480.W0162	Locking	12	12,00	23	20	32	M 8	6	3,0	35	13	33,0	40,5	22	35	135
32480.W0166	Locking	16	16,00	28	25	40	M10	6	3,0	42	13	41,5	49,0	30	50	228
32480.W0170	Locking	20	20,00	33	30	40	M10	6	3,0	50	13	41,5	49,0	46	63	348
32480.W0175	Locking	25	25,00	42	38	50	M10	6	3,0	60	13	51,0	58,5	39	73	651
32480.W0190	Tapered Bush	10	7,10	19	16			11	8,5							13
32480.W0192	Tapered Bush	12	8,28	23	20			13	10,0							25
32480.W0193	Tapered Bush	16	11,52	28	25			17	14,0							47
32480.W0194	Tapered Bush	20	15,49	33	30			16	13,0							60
32480.W0196	Tapered Bush	25	19,70	42	38			19	16,0							114



Index Plungers - Precision tapered pin

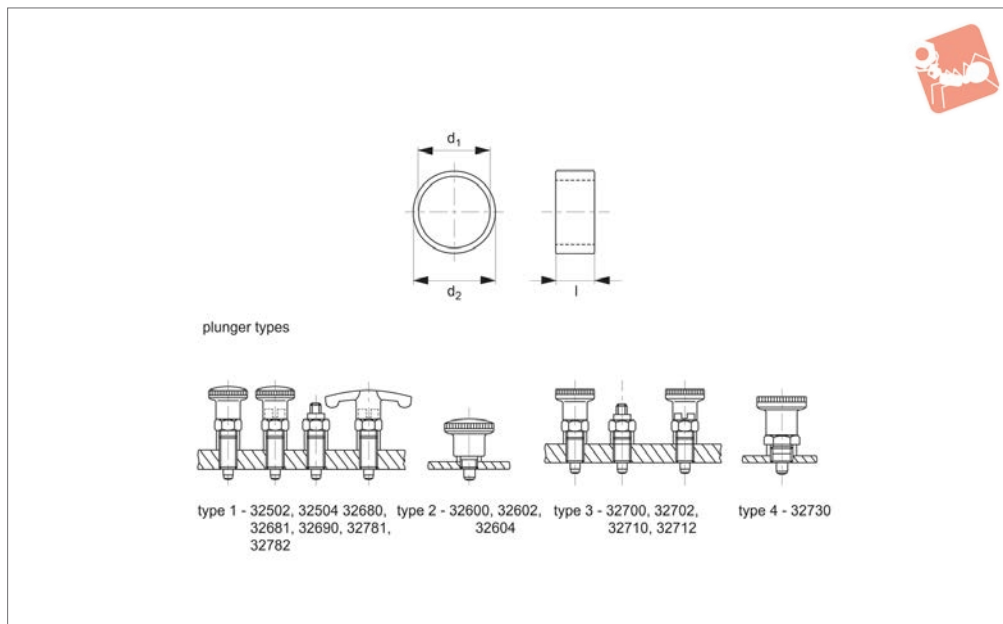
Index Plunger & Pins



INDEX PLUNGER & PINS



32750



Material

Stainless steel 1.4305 (AISI 303).

index plungers to enable different thread reaches. Order while stocks last.

Technical Notes

Distance collars adapt the thread length of

Order No.	d ₁ tol. H12	d ₂ -0.1	For index plungers size d ₁	Suitable for plunger type	l ₁ ±0.1	Weight g
32750.W0933	8	10	M 8	1	3	0.8
32750.W0934	8	10	M 8	1	4	0.9
32750.W0936	8	10	M 8	1	6	1.2
32750.W0938	8	10	M 8	1	8	1.6
32750.W0940	8	10	M 8	1	10	2.0
32750.W0942	10	12	M10	1/2/3	2	0.6
32750.W0944	10	12	M10	1/2/3	4	1.1
32750.W0946	10	12	M10	1/3	6	1.6
32750.W0948	10	12	M10	1/3	8	2.1
32750.W0950	10	12	M10	1/3	10	2.7
32750.W0952	10	12	M10	1/3	12	3.0
32750.W0962	12	14	M12	1	2	0.6
32750.W0964	12	14	M12	1	4	2.5
32750.W0966	12	14	M12	1	6	1.9
32750.W0968	12	14	M12	1	8	2.4
32750.W0972	12	17	M12	3/4	2	2.0
32750.W0974	12	17	M12	3/4	4	3.4
32750.W0975	12	17	M12	3/4	5	4.4
32750.W0976	16	17	M16	1	4	0.7
32750.W0977	16	17	M16	1	6	1.2
32750.W0978	16	17	M16	1	8	1.4
32750.W0979	16	17	M16	1	10	2.0
32750.W0980	16	17	M16	1	12	2.1
32750.W0982	16	19	M16	3/4	2	1.3
32750.W0984	16	19	M16	3/4	4	2.8
32750.W0986	16	19	M16	3/4	6	3.8
32750.W0988	16	19	M16	3/4	8	4.8
32750.W0990	16	19	M16	3	10	6.1
32750.W0992	16	19	M16	3	12	9.2
32750.W0993	20	22	M20	1/3	6	3.0
32750.W0994	20	22	M20	1/3	8	4.0
32750.W0995	20	22	M20	1/3	10	4.9
32750.W0996	20	22	M20	1/3	12	5.9
32750.W0997	20	22	M20	1/3	14	6.9



Distance Collars for index plungers

Index Plunger & Pins

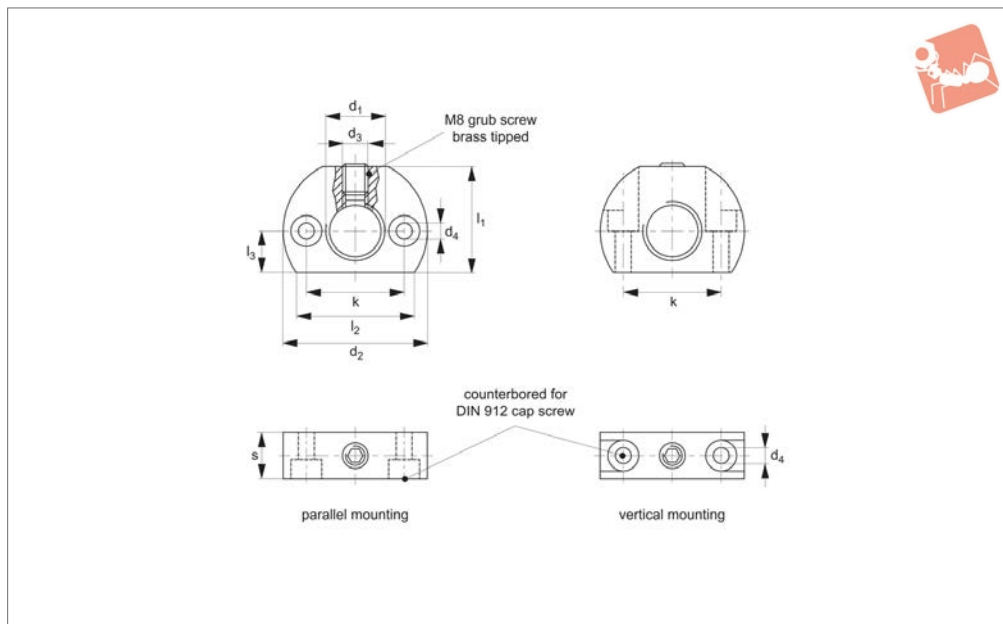


Order No.	d_1 tol. H12	d_2 -0.1	For index plungers size d_1	Suitable for plunger type	l_1 ± 0.1	Weight g
32750.W0998	20	22	M20	1/3	16	9.3
32750.W0999	20	22	M20	1/3	18	9.0





32510



Material

Steel type-

Body: Steel, blackened.

Grub Screw: M8 with brass tip.

Stainless steel type-

Body: Stainless steel 1.4305 (AISI 303).

Technical Notes

Mounting blocks provide assembly support for mounting of index plungers. **(Not**

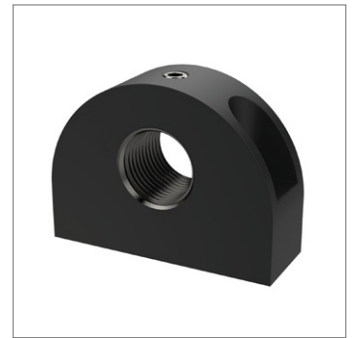
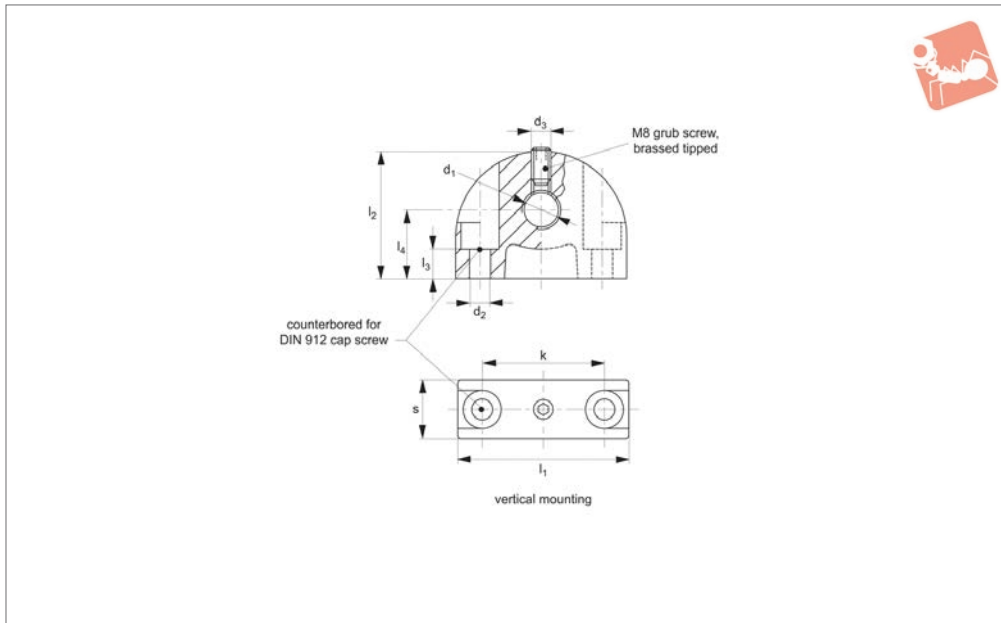
suitable for index plungers with coarse thread).

Order No.	Material	Type	d ₁	d ₂	d ₃	d ₄	k ±0.1	l ₁	l ₂ ≈	l ₃	s	Weight g
32510.W0345	Steel	Parallel	M12x1,5	32	M 5	4.5	21	22	26.5	9	12	43
32510.W0346	Steel	Parallel	M16x1,5	46	M 8	5.5	32	33	38.0	13	15	122
32510.W0347	Steel	Vertical	M12x1,5	32	M 5	4.5	21	22	26.5	9	12	37
32510.W0348	Steel	Vertical	M16x1,5	46	M 8	5.5	32	33	38.0	13	15	106
32510.W0350	Steel	Parallel	M20x1,5	46	M 8	5.5	32	33	37.0	13	15	109
32510.W0352	Steel	Vertical	M20x1,5	46	M 8	5.5	32	33	38.0	13	15	94
32510.W0545	Stainless	Parallel	M12x1,5	32	M 5	4.5	21	22	26.5	9	12	43
32510.W0546	Stainless	Parallel	M16x1,5	46	M 8	5.5	32	33	38.0	13	15	122
32510.W0547	Stainless	Vertical	M12x1,5	32	M 5	4.5	21	22	26.5	9	12	37
32510.W0548	Stainless	Vertical	M16x1,5	46	M 8	5.5	32	33	38.0	13	15	106
32510.W0550	Stainless	Parallel	M20x1,5	46	M 8	5.5	32	33	37.0	13	15	109
32510.W0552	Stainless	Vertical	M20x1,5	46	M 8	5.5	32	33	38.0	13	15	94



Mounting Blocks for index plungers - fine thread

Index Plunger & Pins



32512

INDEX PLUNGER & PINS

Material

Body: die-cast zinc, black plastic coated.
Grub screw: M8 with brass tip.

for mounting of index plungers. **(Not suitable for index plungers with coarse thread).**

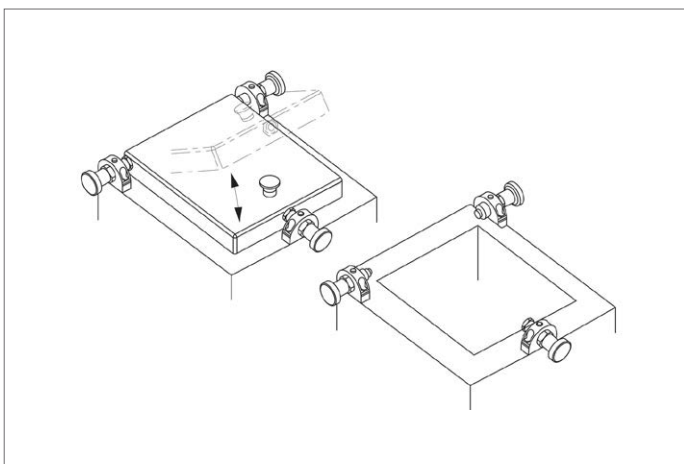
d_1 on countersunk side.

Technical Notes

Mounting blocks provide assembly support

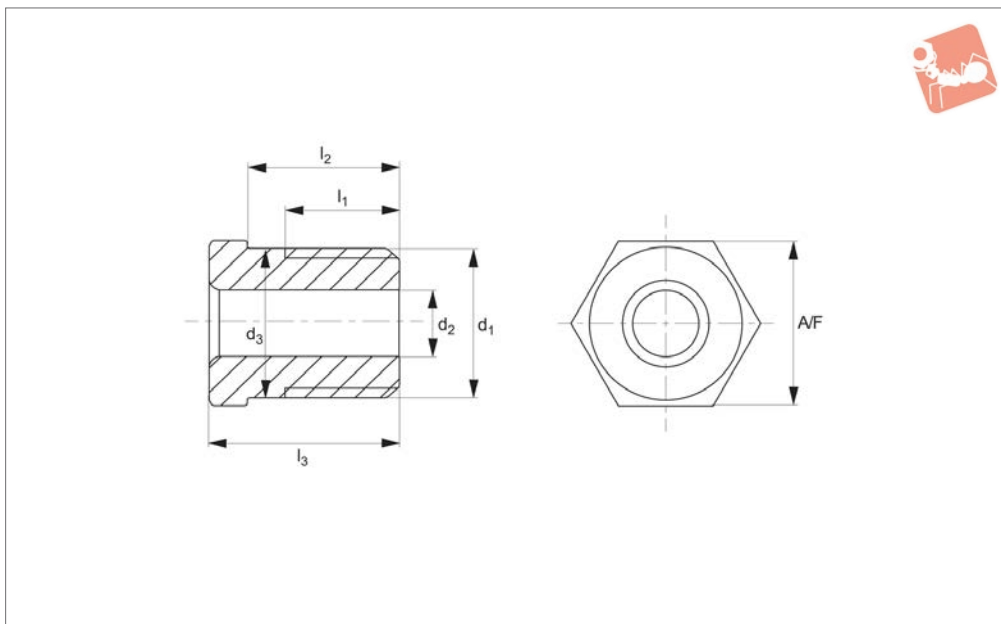
Index plunger must be assembled in hole

Order No.	Type	d_1	d_2	d_3	k	l_1	l_2	l_3 -0.2	l_4	Weight g
32512.W0408	Vertical	M 8x1,0	4.3	M 4	25	35	26	11.5	14	39
32512.W0410	Vertical	M10x1,0	4.3	M 4	25	35	26	11.5	14	36
32512.W0412	Vertical	M12x1,5	4.3	M 4	25	35	26	11.5	14	41
32512.W0416	Vertical	M16x1,5	5.3	M 5	35	47	34	15.5	18	77
32512.W0420	Vertical	M20x1,5	5.3	M 5	35	47	34	15.5	18	68





32752



Material

Steel, nitrided.

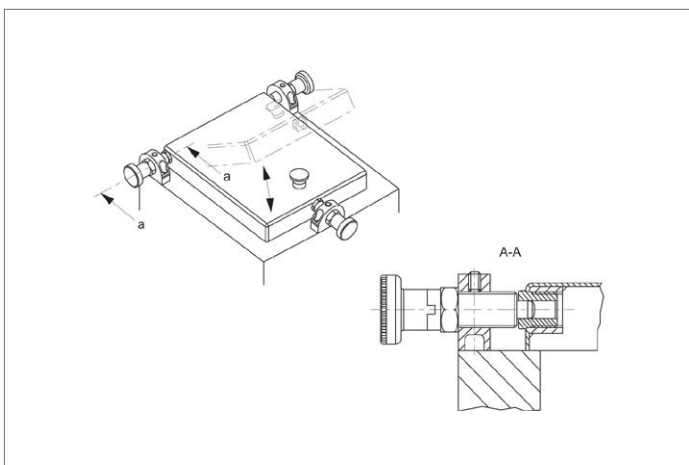
Technical Notes

For use with our wide range of index plun-

gers. Provide a durable location bush for index plunger pins of diameter d_2 . See „for pin dia.“ column in data table and refer to individual index plunger production infor-

mation for matching pin diameters.

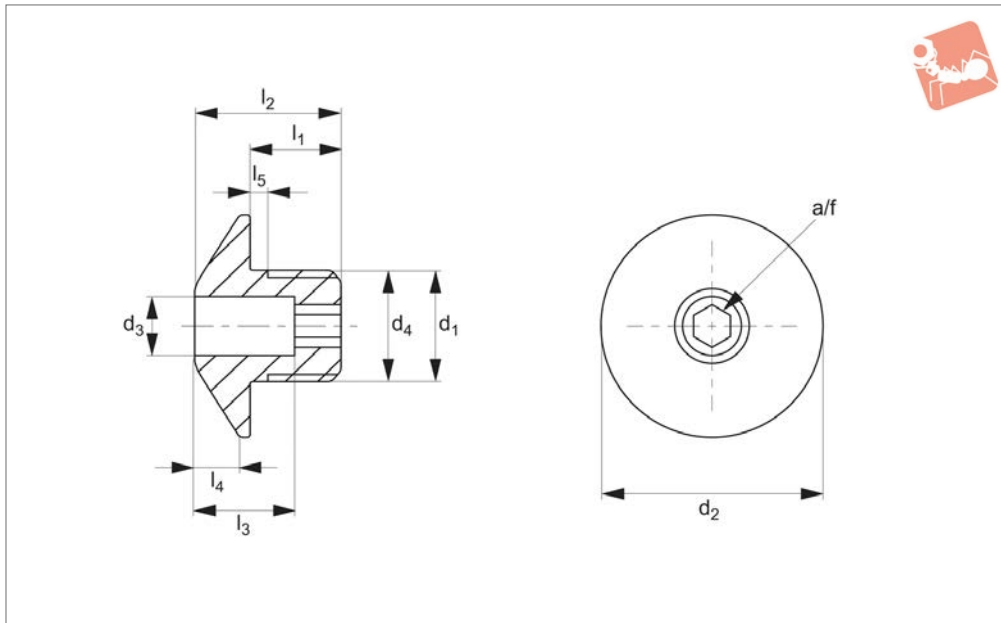
Order No.	d_1	For pin dia.	d_2 +0.1	d_3 ± 0.3	l_1 min.	l_2 -0.3	l_3	A/F	Weight g
32752.W0454	M12x1,5	4	4.2	12.1	9	10	13	13	10
32752.W0455	M12x1,5	5	5.2	12.1	9	10	13	13	10
32752.W0456	M12x1,5	6	6.2	12.1	9	10	13	13	9
32752.W0458	M16x1,5	8	8.2	16.1	11	12	15	17	18
32752.W0460	M16x1,5	10	10.2	16.1	11	12	15	17	14
32752.W0462	M16x1,5	12	12.2	16.1	11	12	15	17	9





Locating Bushes - Hardened for index plungers

Index Plunger & Pins



32753

INDEX PLUNGER & PINS

Material

Body:

Steel: Hardened, blackened

Stainless: Stainless steel hardened

Technical Notes

For use with our wide range of index bolts

and plungers. Provide a durable location bush for index plunger pins of diameter d_3 , refer to individual index plunger production information for matching pin diameters.

Tips

Low wear option due to hardened material.

Order No.	Type	d_1	d_2	d_3 +0,1	d_4 -0,05	l_1	l_2	l_3	l_4	l_5 +0,5	For pin	A/F	Weight g
32753.W0464	Steel	M12x1,5	24	4.2	12	10	16	11	5	1.5	4	4	17
32753.W0465	Steel	M12x1,5	24	5.2	12	10	16	11	5	1.5	5	4	16
32753.W0466	Steel	M12x1,5	24	6.2	12	10	16	11	5	1.5	6	4	16
32753.W0468	Steel	M16x1,5	32	8.2	16	12	20	13	7	1.5	8	6	36
32753.W0470	Steel	M16x1,5	32	10.2	16	12	20	13	7	1.5	10	6	33
32753.W0472	Steel	M16x1,5	32	12.2	16	12	20	13	7	1.5	12	6	33
32753.W0474	Stainless	M12x1,5	24	4.2	12	10	16	11	5	1.5	4	4	17
32753.W0475	Stainless	M12x1,5	24	5.2	12	10	16	11	5	1.5	5	4	16
32753.W0476	Stainless	M12x1,5	24	6.2	12	10	16	11	5	1.5	6	4	16
32753.W0478	Stainless	M16x1,5	32	8.2	16	12	20	13	7	1.5	8	6	36
32753.W0480	Stainless	M16x1,5	32	10.2	16	12	20	13	7	1.5	10	6	33
32753.W0482	Stainless	M16x1,5	32	12.2	16	12	20	13	7	1.5	12	6	33