

24420

NUTS

Material

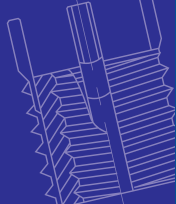
Stainless steel (AISI 303, 1.4305).

*DIN standards do not include these dimensions.

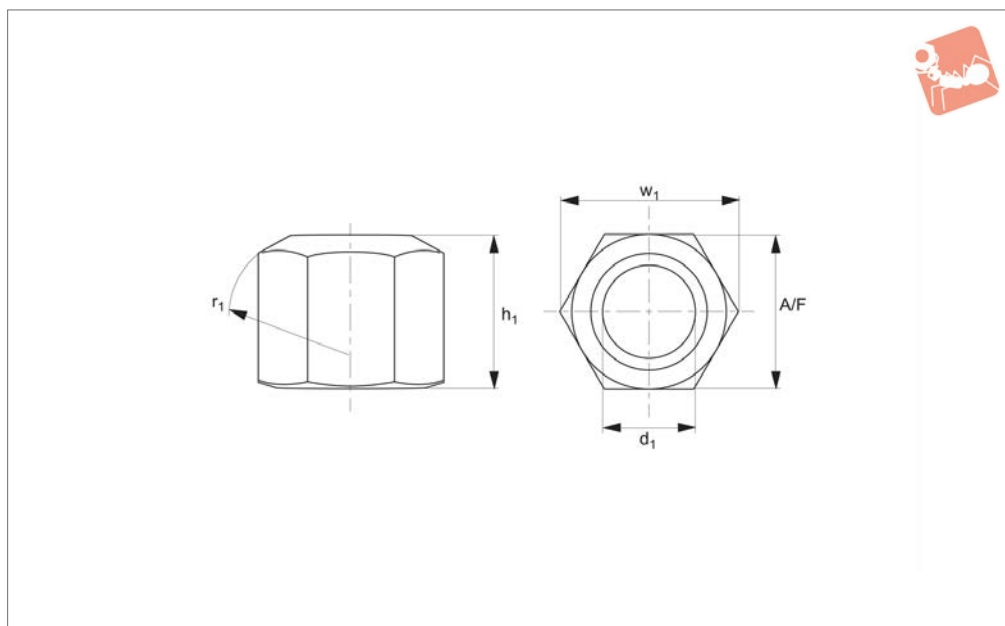
Technical Notes

Produced to DIN 6331.

Order No.	d ₁	d ₂	h ₁	h ₂	w ₁	A/F	Weight g
24420.W0108	M 8	18	12	3.5	15.0	13	12
24420.W0110	M10	22	15	4.0	18.5	17*	22
24420.W0112	M12	25	18	4.0	20.8	19*	30
24420.W0116	M16	31	24	5.0	27.7	24	67
24420.W0120	M20	37	30	6.0	34.6	30	129



24320



Material

Stainless steel (AISI 303, 1.4305).

Technical Notes

Produced to DIN 6330B.

Order No.	d_1	h_1	r_1	w_1	A/F	Weight g
24320.W0106	M 6	9	9	11.5	10	4
24320.W0108	M 8	12	11	15.0	13	8
24320.W0110	M10	15	15	18.5	17	17
24320.W0112	M12	18	17	20.8	19	24
24320.W0116	M16	24	22	27.7	24	55
24320.W0120	M20	30	27	34.6	30	110

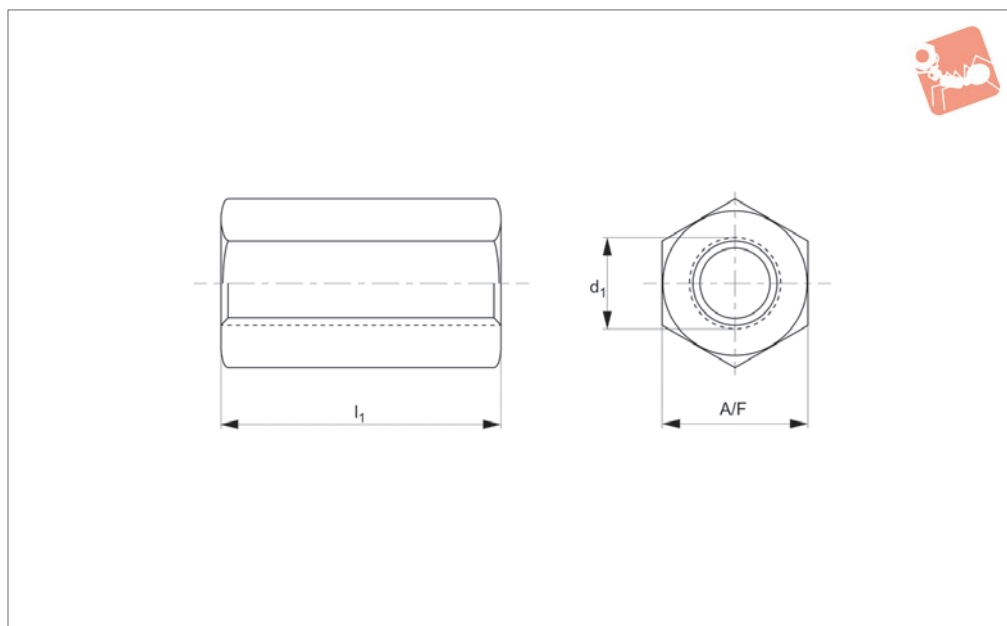


Hexagonal Coupler Nuts

A2 & A4 stainless



Nuts



24602

NUTS

Material

Stainless steel (A2 & A4)

Order No.	d_1	l_1	A/F	Material
24602.W2006	M 6	20	10	A2 s/s
24602.W2008	M 8	25	13	A2 s/s
24602.W2010	M10	30	17	A2 s/s
24602.W2012	M12	35	19	A2 s/s
24602.W2016	M16	40	24	A2 s/s
24602.W2020	M20	50	30	A2 s/s
24602.W2024	M24	50	36	A2 s/s
24602.W4006	M 6	20	10	A4 s/s
24602.W4008	M 8	25	13	A4 s/s
24602.W4010	M10	30	17	A4 s/s
24602.W4012	M12	35	19	A4 s/s
24602.W4016	M16	40	24	A4 s/s
24602.W4020	M20	50	30	A4 s/s
24602.W4024	M24	50	36	A4 s/s