

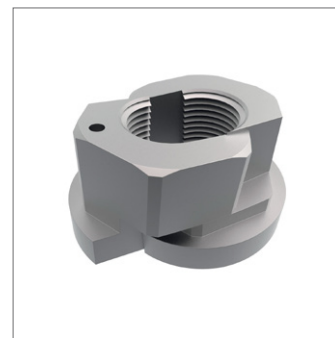
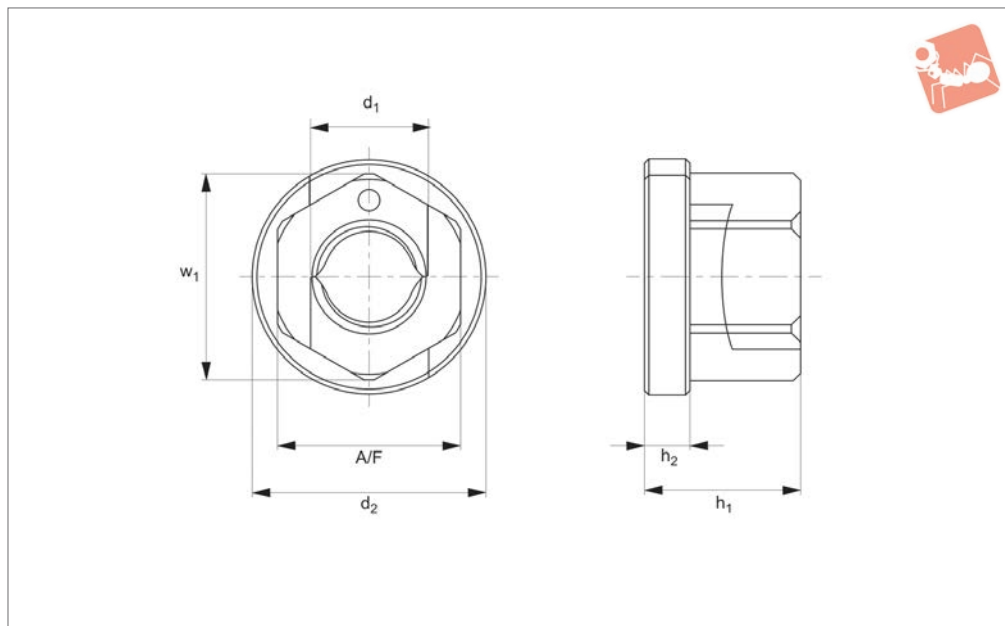


# Fast Nut - With Collar

rapid assembly nut



## Nuts



**24502**

NUTS

### Material

Steel, heat treated.

### Technical Notes

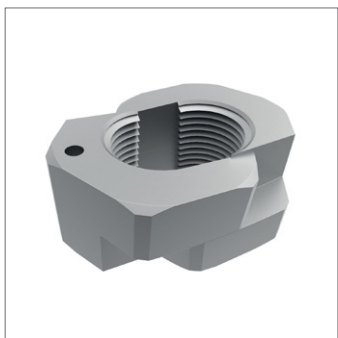
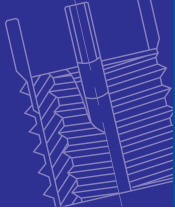
For rapid mounting and dismounting of nuts over long or damaged studding, and

even a studding bent by up to 20°. Where nut components are held together and are unattachable - simply push over thread, engage and a quarter or half turn is adequate for locking.

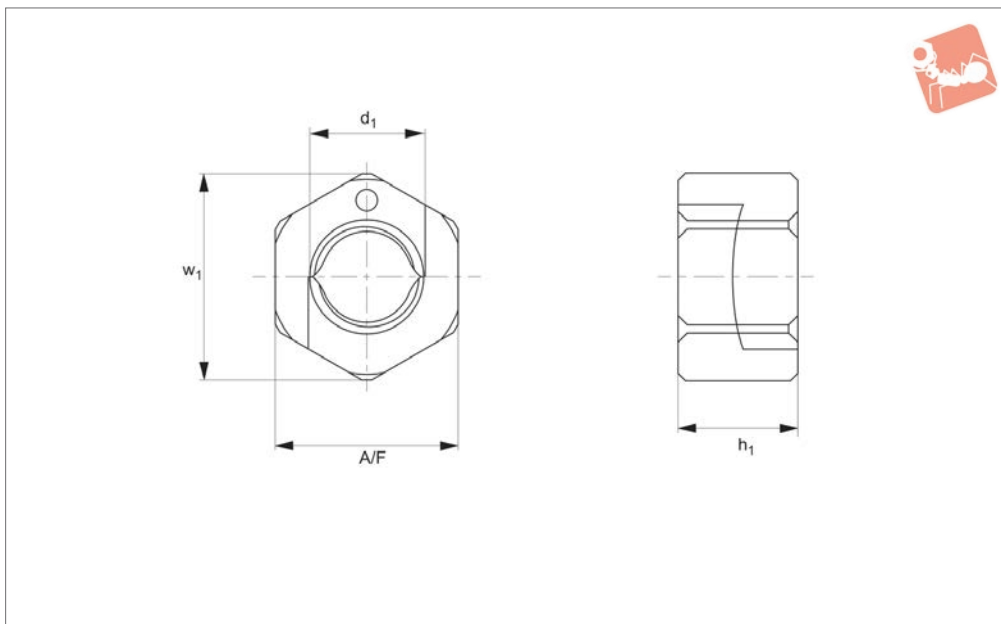
Provides clamping similar to solid nuts of the same thread size. Time saving when dealing with long or damaged studding.

Order No.	d <sub>1</sub>	d <sub>2</sub>	w <sub>1</sub>	h <sub>1</sub>	h <sub>2</sub>	A/F	Weight g
24502.W0106	M 6	14	11	9	3.0	10	5
24502.W0108	M 8	18	14	12	3.5	13	12
24502.W0110	M10	22	19	14	4.0	17	24
24502.W0112	M12	25	21	16	4.0	19	33
24502.W0116	M16	31	27	21	5.0	24	62
24502.W0120	M20	37	33	26	6.0	30	114
24502.W0124	M24	45	40	30	6.0	36	188





### 24504



#### Material

Steel, heat treated, zinc plated.  
Strength class 10.

#### Technical Notes

For rapid mounting and dismounting of

nuts over long or damaged studding, and even a studding bent by up to 20°. Where nut components are held together and are unattachable - simply push over thread, engage and a quarter or half turn is

adequate for locking. Provides clamping similar to solid nuts of the same thread size. Time saving when dealing with long or damaged studding.

Order No.	d <sub>1</sub>	w <sub>1</sub>	h <sub>1</sub>	A/F	Weight g
24504.W0106	M 6	11	6	10	3
24504.W0108	M 8	14	8	13	6
24504.W0110	M10	19	10	17	14
24504.W0112	M12	21	12	19	20
24504.W0116	M16	27	16	24	39
24504.W0120	M20	33	20	30	75
24504.W0124	M24	40	24	36	131





# Wixroyd Fast Nut

fast assembly nut, no loss of performance

24502 - 24504

Fixing Elements

The Fast Nut is quickly assembled, simply pull apart the segments to open - slide nut over thread to required location. Push the two threaded segments together to engage on thread. Lock the nut in place with a simple quarter to half turn of a standard spanner.



- There are no problems if the top of a threaded rod is damaged, the Fast Nut can slip over the damaged section.
- There are no issue of cross threading.
- Easy assembly in confined spaces.
- Flexibility to leave clamping to the last moment.

## Quick Fastening

Ease the nut off a quarter turn with a spanner, unlock the Fast Nut and remove from the thread.

## Disassembly

- For quick release and disassembly of the nut simply pull apart the nut casing to release.
- Zinc plated for a degree of rust protection.
- The Fast Nut simply slips over a rusted or paint covered thread to the fixing area.
- No issue of thread seizing.
- Time saving, yet just as high holding force!
- Can slip over damaged or bent studding up to an angle of approx. 20°.

## Quick Release

- M6, M8, M10, M12, M16, M20, M24.

## Available Sizes

- Construction industry.
- Temporary buildings, scaffolding.
- Automotive.
- Flange and instrument fittings.
- Jig and fixture builds.
- Mechanical applications.

## Applications

- Up to 50% faster assembly and disassembly (up to 500% in difficult and confined environments).
- One piece, so individual parts can't be lost
- Maintenance free and re-usable.
- Corrosion resistant, ideal for outdoors.

## Saving Time, Effort and Cost

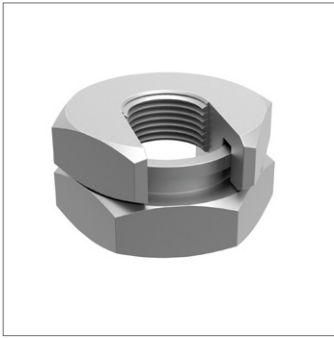
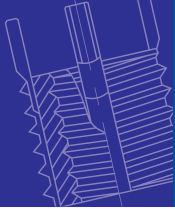
- Two part construction, with parts retained (und detachable).
- Tempering and surface protection to DIN/ISO standards as for a normal nut.
- Thread interference up to 180% of a standard nut.
- No need for a special spanner.

## Technical Data

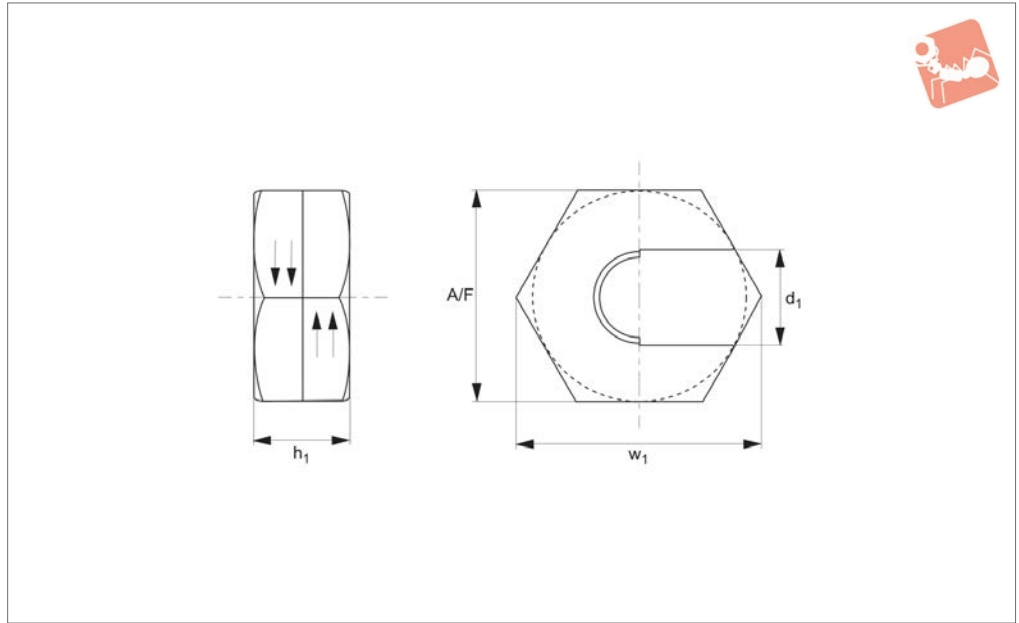
- Heat treated steel, zinc plated.
- Strength class 10 = 1060 N/mm<sup>2</sup>.
- Temperature resistant to +150°C.

## Material





24520



**Material**

Steel, strength class 6, hardened and zinc plated.  
Coarse thread.

**Technical Notes**

Avoid time consuming winding & unwin-

ding on long threads and overcome issues of damaging threads. The slip-on lock nut is easy to position at any point on a thread. Just open the lock nut, position where required, twist the lock nut closed and tighten with a spanner. Still with high load

forces. Safety factor of 2.5 times in load recommendations. Tested from 5 to 2000 Hz over a 10 minute period with no evidence of loosening.

Order No.	d <sub>1</sub>	w <sub>1</sub>	h <sub>1</sub>	A/F	Load kN max.	Torque to Nm max.	Weight g
24520.W0106	M 6	18.2	9.5	16	2.9	8-11	9
24520.W0108	M 8	22.0	9.5	19	-	18-25	15
24520.W0110	M10	25.7	12.4	22	8.9	26-34	25
24520.W0112	M12	31.1	15.9	27	17.8	68-81	45
24520.W0114	M14	31.1	15.9	27	17.8	68-81	45
24520.W0116	M16	38.5	16.5	33	22.2	136-271	71
24520.W0118	M18	38.5	16.5	33	22.2	136-271	71
24520.W0120	M20	47.7	20.3	41	35.6	244-271	141
24520.W0122	M22	58.6	25.4	51	-	-	259
24520.W0124	M24	58.6	25.4	51	-	-	249

