



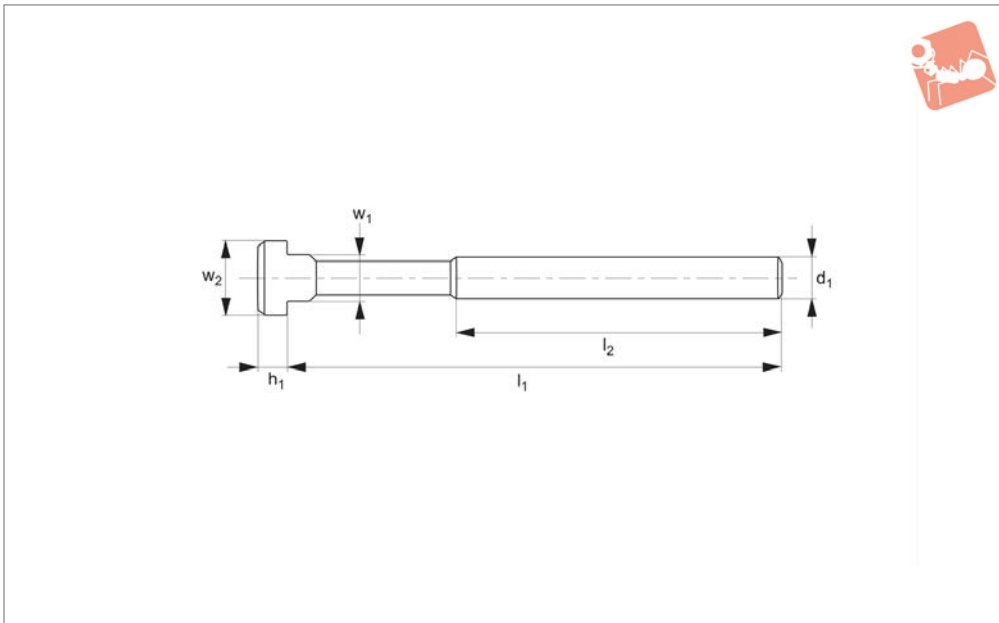
T-Slot Bolts

strength class 8,8/10,9



21000

T-NUTS & T-BOLTS



Material

Forged steel, rolled thread.
Milled T-slot flat faces.

Technical Notes

Produced to DIN787.

Sizes M 6-M12 strength class 10.9.
Sizes M14-M42 strength class 8.8.

represented by w_2 .

Tips

The T-nut element of all T-slot bolts are square, the dimension of which is repre-

Order No.	$d_1 \times \text{T-Slot} \times l_1$	l_2	w_1	w_2	h_1	Weight g
21000.W0061	M 6x6x25	15	5.7	10	4	9
21000.W0062	M 6x6x40	28	5.7	10	4	12
21000.W0081	M 8x8x32	22	7.7	13	6	20
21000.W0082	M 8x8x50	35	7.7	13	6	25
21000.W0083	M 8x8x80	50	7.7	13	6	30
21000.W0101	M10x10x40	30	9.7	15	6	30
21000.W0102	M10x10x63	45	9.7	15	6	50
21000.W0103	M10x10x100	60	9.7	15	6	70
21000.W0104	M10x10x80	50	9.7	15	6	60
21000.W0121	M12x12x50	33	11.7	18	7	60
21000.W0122	M12x12x63	40	11.7	18	7	65
21000.W0123	M12x12x80	55	11.7	18	7	75
21000.W0124	M12x12x125	75	11.7	18	7	110
21000.W0126	M12x12x100	65	11.7	18	7	90
21000.W0127	M12x12x160	100	11.7	18	7	135
21000.W0125	M12x12x200	120	11.7	18	7	160
21000.W0141	M12x14x50	33	13.7	22	8	70
21000.W0142	M12x14x63	45	13.7	22	8	80
21000.W0143	M12x14x80	55	13.7	22	8	100
21000.W0144	M12x14x125	75	13.7	22	8	120
21000.W0145	M12x14x200	120	13.7	22	8	180
21000.W0146	M12x14x100	65	13.7	22	8	110
21000.W0147	M12x14x160	100	13.7	22	8	150
21000.W0159	M14x16x80	55	15.7	25	9	130
21000.W0160	M14x16x125	75	15.7	25	9	180
21000.W0161	M14x16x63	45	15.7	25	9	115
21000.W0162	M14x16x100	65	15.7	25	9	150
21000.W0163	M14x16x160	100	15.7	25	9	220
21000.W0164	M14x16x250	150	15.7	25	9	300
21000.W0165	M16x16x63	45	15.7	25	9	140
21000.W0166	M16x16x80	55	15.7	25	9	160
21000.W0167	M16x16x100	65	15.7	25	9	180



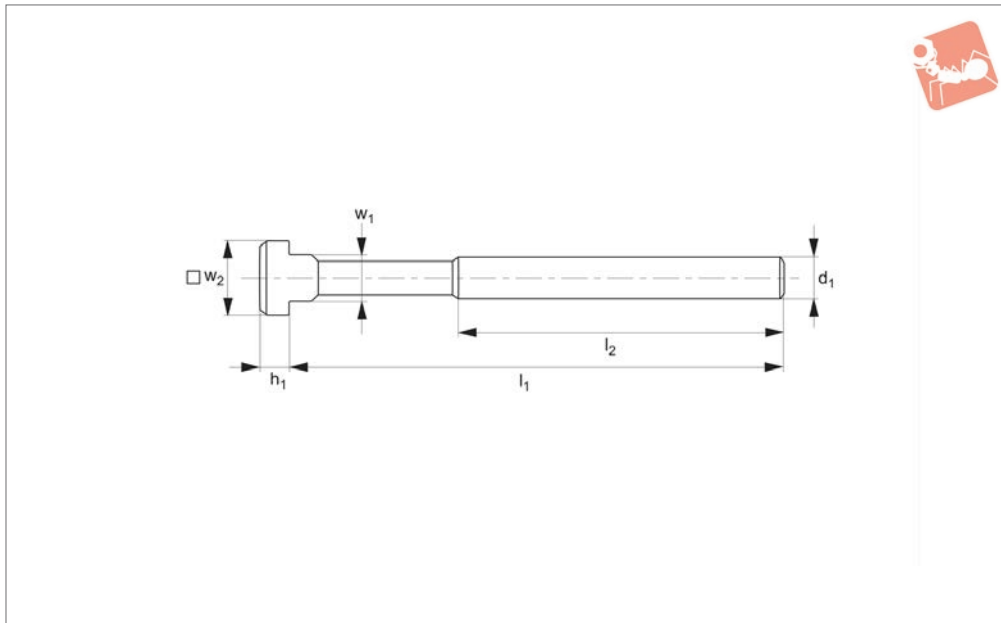
Order No.	d ₁ x T-Slot x l ₁	l ₂	w ₁	w ₂	h ₁	Weight g
21000.W0168	M16x16x160	100	15.7	25	9	270
21000.W0169	M16x16x200	125	15.7	25	9	315
21000.W0170	M16x16x250	150	15.7	25	9	380
21000.W0171	M16x16x125	85	15.7	25	9	225
21000.W0181	M16x18x63	45	17.7	28	10	160
21000.W0182	M16x18x80	55	17.7	28	10	185
21000.W0183	M16x18x100	65	17.7	28	10	203
21000.W0187	M16x18x125	85	17.7	28	10	245
21000.W0184	M16x18x160	100	17.7	28	10	280
21000.W0185	M16x18x200	125	17.7	28	10	330
21000.W0186	M16x18x250	150	17.7	28	10	430
21000.W0201	M20x20x80	55	19.7	32	12	290
21000.W0202	M20x20x100	65	19.7	32	12	340
21000.W0203	M20x20x125	85	19.7	32	12	390
21000.W0204	M20x20x160	110	19.7	32	12	470
21000.W0205	M20x20x200	125	19.7	32	12	550
21000.W0206	M20x20x250	150	19.7	32	12	670
21000.W0207	M20x20x315	190	19.7	32	12	800
21000.W0221	M20x22x80	55	21.7	35	14	330
21000.W0222	M20x22x100	65	21.7	35	14	370
21000.W0223	M20x22x125	85	21.7	35	14	428
21000.W0224	M20x22x160	110	21.7	35	14	500
21000.W0225	M20x22x200	125	21.7	35	14	570
21000.W0226	M20x22x250	150	21.7	35	14	680
21000.W0227	M20x22x315	190	21.7	35	14	820
21000.W0241	M24x24x100	70	23.7	40	16	540
21000.W0242	M24x24x125	85	23.7	40	16	600
21000.W0243	M24x24x160	110	23.7	40	16	770
21000.W0244	M24x24x200	125	23.7	40	16	900
21000.W0245	M24x24x250	150	23.7	40	16	960
21000.W0246	M24x24x315	190	23.7	40	16	1270
21000.W0247	M24x24x400	240	23.7	40	16	1410
21000.W0281	M24x28x100	70	27.7	44	18	650
21000.W0282	M24x28x125	85	27.7	44	18	720
21000.W0283	M24x28x160	110	27.7	44	18	800
21000.W0284	M24x28x200	125	27.7	44	18	950
21000.W0285	M24x28x250	150	27.7	44	18	1120
21000.W0286	M24x28x315	190	27.7	44	18	1350
21000.W0287	M24x28x400	240	27.7	44	18	1490
21000.W0288	M27x32x160	100	31.6	50	20	1168
21000.W0289	M27x32x200	135	31.6	50	20	1245
21000.W0290	M27x32x315	200	31.6	50	20	1828
21000.W0361	M30x36x125	80	35.6	54	22	1250
21000.W0362	M30x36x160	110	35.6	54	22	1440
21000.W0363	M30x36x200	135	35.6	54	22	1630
21000.W0364	M30x36x250	150	35.6	54	22	1920
21000.W0365	M30x36x315	200	35.6	54	22	2100
21000.W0366	M30x36x500	300	35.6	54	22	3300
21000.W0421	M36x42x160	100	41.6	65	26	2200
21000.W0422	M36x42x250	175	41.6	65	26	2820
21000.W0423	M36x42x400	250	41.6	65	26	3930
21000.W0424	M36x42x600	340	41.6	65	26	5480
21000.W0481	M42x48x160	100	47.6	75	30	3400
21000.W0482	M42x48x250	175	47.6	75	30	4300
21000.W0483	M42x48x400	250	47.6	75	30	5800



T-Slot Bolts

extra strength - class 12,9

T-Nuts & T-Bolts



21050

T-NUTS & T-BOLTS

Material

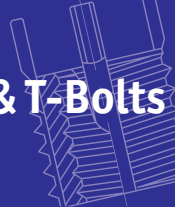
Forged steel, rolled threads.
T-slot guide faces milled.
Strength class 12.9 punched into head.

Tips

For use where higher clamping forces are required. The T-nut element of all T-slot bolts are square, the dimension of which is

represented by w_2 .

Order No.	$d_1 \times \text{slot} \times l_1$	l_2	w_1	w_2	h_1	Weight g
21050.W0101	M10x10x40	30	9.7	15	6	30
21050.W0102	M10x10x50	35	9.7	15	6	40
21050.W0103	M10x10x80	50	9.7	15	6	60
21050.W0104	M10x10x100	60	9.7	15	6	70
21050.W0121	M12x12x50	35	11.7	18	7	60
21050.W0126	M12x12x63	40	11.7	18	7	65
21050.W0122	M12x12x80	55	11.7	18	7	75
21050.W0127	M12x12x100	65	11.7	18	7	90
21050.W0123	M12x12x125	75	11.7	18	7	110
21050.W0128	M12x14x160	100	11.7	18	7	135
21050.W0124	M12x12x200	120	11.7	18	7	160
21050.W0141	M12x14x50	35	13.7	22	8	70
21050.W0146	M12x14x63	45	13.7	22	8	80
21050.W0142	M12x14x80	55	13.7	22	8	100
21050.W0147	M12x14x100	65	13.7	22	8	110
21050.W0143	M12x14x125	75	13.7	22	8	120
21050.W0148	M12x14x160	100	13.7	22	8	150
21050.W0144	M12x14x200	120	13.7	22	8	180
21050.W0161	M16x16x63	45	15.7	25	9	140
21050.W0165	M16x16x80	55	15.7	25	9	160
21050.W0162	M16x16x100	65	15.7	25	9	180
21050.W0166	M16x16x125	85	15.7	25	9	225
21050.W0163	M16x16x160	100	15.7	25	9	270
21050.W0167	M16x16x200	125	15.7	25	9	315
21050.W0164	M16x16x250	150	15.7	25	9	380
21050.W0181	M16x18x63	45	17.7	28	10	160
21050.W0186	M16x18x80	55	17.7	28	10	185
21050.W0182	M16x18x100	65	17.7	28	10	203
21050.W0187	M16x18x125	85	17.7	28	10	230
21050.W0183	M16x18x160	100	17.7	28	10	280
21050.W0188	M16x18x200	125	17.7	28	10	330
21050.W0184	M16x18x250	150	17.7	28	10	430
21050.W0201	M20x20x80	55	19.7	32	12	290
21050.W0202	M20x20x125	85	19.7	32	12	390



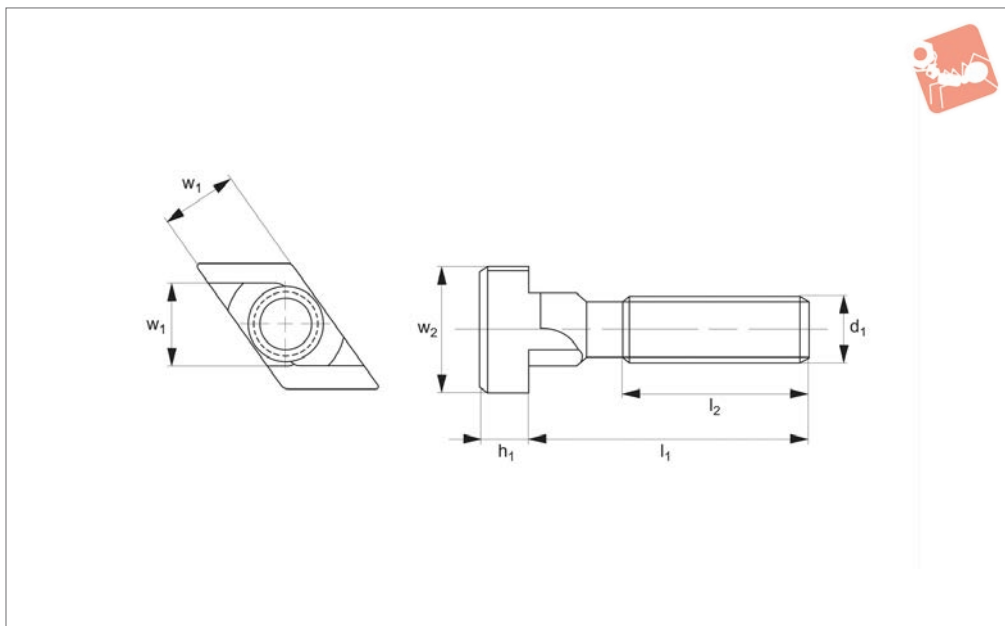
Order No.	d ₁ x slot x l ₁	l ₂	w ₁	w ₂	h ₁	Weight g
21050.W0205	M20x20x160	110	19.7	32	12	470
21050.W0203	M20x20x200	125	19.7	32	12	550
21050.W0206	M20x20x250	150	19.7	32	12	670
21050.W0204	M20x20x315	190	19.7	32	12	800
21050.W0221	M20x22x80	55	21.7	35	14	330
21050.W0222	M20x22x125	85	21.7	35	14	428
21050.W0225	M20x22x160	110	21.7	35	14	500
21050.W0223	M20x22x200	125	21.7	35	14	570
21050.W0226	M20x22x250	150	21.7	35	14	680
21050.W0224	M20x22x315	190	21.7	35	14	820
21050.W0241	M24x24x100	70	23.7	40	16	540
21050.W0242	M24x24x160	110	23.7	40	16	770
21050.W0245	M24x24x200	125	23.7	40	16	900
21050.W0243	M24x24x250	150	23.7	40	16	960
21050.W0244	M24x24x400	240	23.7	40	16	1410
21050.W0281	M24x28x100	70	27.7	44	18	650
21050.W0282	M24x28x160	110	27.7	44	18	800
21050.W0285	M24x28x200	125	27.7	44	18	950
21050.W0283	M24x28x250	150	27.7	44	18	1120
21050.W0284	M24x28x400	240	27.7	44	18	1490
21050.W0361	M30x36x160	110	35.6	54	22	1950
21050.W0362	M30x36x200	135	35.6	54	22	2230
21050.W0363	M30x36x250	150	35.6	54	22	2555
21050.W0364	M30x36x315	200	35.6	54	22	2950



Rhombus T-Slot Bolt

strength class 8,8

T-Nuts & T-Bolts



21060

T-NUTS & T-BOLTS

Material

Forged steel, rolled thread, heat-treated.

Technical Notes

Tensile strength 8,8.

Tips

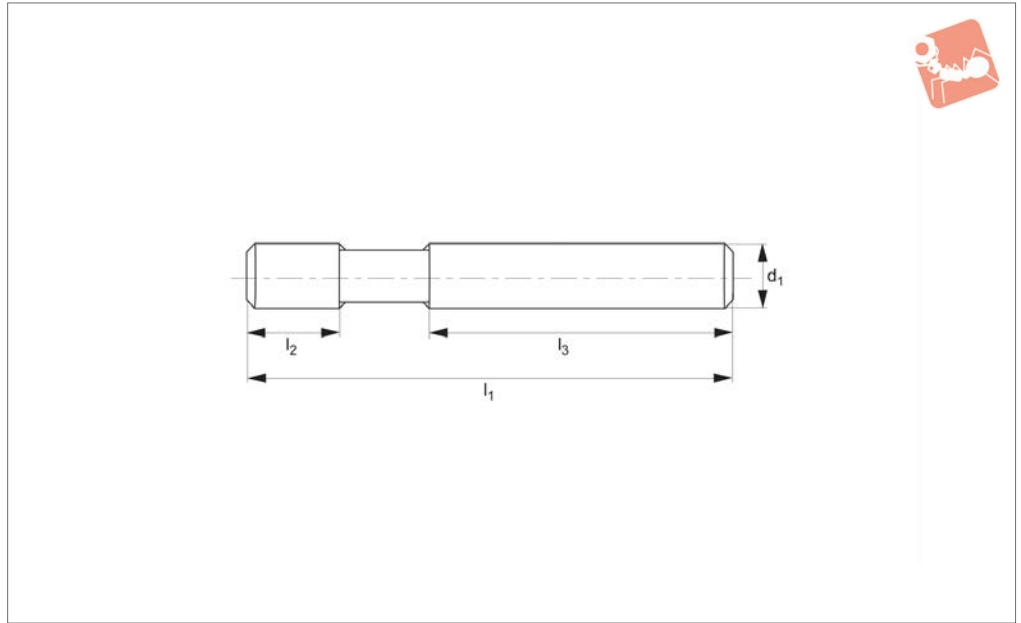
This unique T-slot bolt combines the integral strength of a one piece T-bolt, with the functionality of a rhombus type nut to

provide access to T-slots where workpiece layout prohibits the introduction of standard T-slot bolts no. 21000.

Order No.	$d_1 \times \text{T-Slot} \times l_1$	l_2	w_1	w_2	h_1	Weight g
21060.W0141	M12x14x50	35	13.7	22	8	70
21060.W0142	M12x14x80	55	13.7	22	8	100
21060.W0143	M12x14x125	75	13.7	22	8	120
21060.W0181	M16x18x63	45	17.7	28	10	160
21060.W0182	M16x18x100	65	17.7	28	10	220
21060.W0183	M16x18x160	100	17.7	28	10	280
21060.W0221	M20x22x80	55	21.7	35	14	330
21060.W0223	M20x22x125	85	21.7	35	14	430
21060.W0225	M20x22x200	120	21.7	35	14	570
21060.W0282	M24x28x125	85	27.7	44	18	770
21060.W0285	M24x28x250	150	27.7	44	18	1120



21100



Material

Forged steel, rolled thread, heat-treated.

M 6-M12 - tensile strength class 10,9.
M14-M42 tensile strength class 8,8.

and 25000 for appropriate T-nuts, fixture nuts, collar nuts and washers.

Technical Notes

Produced to DIN 6379.

Tips

Please refer to nos. 24000, 24300, 24400

Order No.	$d_1 \times l_1$	l_2	l_3	Weight g
21100.W0061	M 6x32	9	16	8
21100.W0062	M 6x40	9	20	9
21100.W0063	M 6x50	9	30	11
21100.W0064	M 6x63	9	40	14
21100.W0065	M 6x80	9	50	18
21100.W0081	M 8x40	11	20	10
21100.W0082	M 8x63	11	40	20
21100.W0083	M 8x80	11	50	25
21100.W0084	M 8x100	11	63	30
21100.W0085	M 8x160	11	100	45
21100.W0086	M 8x125	11	75	36
21100.W0101	M10x50	13	25	25
21100.W0102	M10x80	13	50	40
21100.W0103	M10x100	13	75	50
21100.W0104	M10x125	13	75	62
21100.W0105	M10x160	13	100	80
21100.W0106	M10x200	13	125	100
21100.W0121	M12x50	15	25	37
21100.W0122	M12x63	15	32	45
21100.W0123	M12x80	15	50	55
21100.W0124	M12x100	15	63	70
21100.W0125	M12x125	15	75	90
21100.W0126	M12x160	15	100	113
21100.W0127	M12x200	15	125	140
21100.W0141	M14x63	17	32	80
21100.W0142	M14x100	17	63	90
21100.W0143	M14x160	17	100	150
21100.W0144	M14x200	17	125	195
21100.W0145	M14x250	17	160	240
21100.W0146	M14x80	17	50	85
21100.W0147	M14x125	17	75	120
21100.W0161	M16x63	19	32	85
21100.W0162	M16x80	19	50	105
21100.W0163	M16x100	19	63	130



Studs

strength class 8,8/10,9



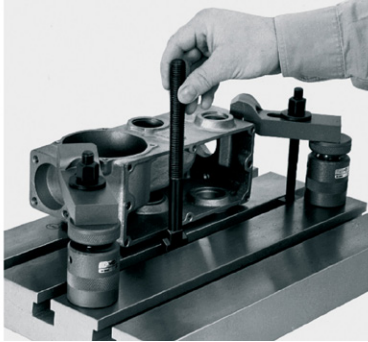
T-Nuts & T-Bolts

Order No.	d ₁ x l ₁	l ₂	l ₃	Weight g
21100.W0164	M16x125	19	75	160
21100.W0165	M16x160	19	100	218
21100.W0166	M16x200	19	125	280
21100.W0167	M16x250	19	160	325
21100.W0168	M16x315	19	180	425
21100.W0169	M16x500	19	315	650
21100.W0181	M18x80	23	50	130
21100.W0182	M18x125	23	75	200
21100.W0183	M18x160	23	100	255
21100.W0184	M18x200	23	125	320
21100.W0185	M18x250	23	150	400
21100.W0186	M18x315	23	180	500
21100.W0201	M20x80	27	32	185
21100.W0202	M20x125	27	70	255
21100.W0203	M20x160	27	100	330
21100.W0204	M20x200	27	125	410
21100.W0205	M20x250	27	160	510
21100.W0206	M20x315	27	200	640
21100.W0207	M20x400	27	250	815
21100.W0208	M20x500	27	315	1020
21100.W0221	M22x100	31	45	270
21100.W0222	M22x160	31	100	430
21100.W0223	M22x200	31	125	500
21100.W0224	M22x250	31	160	670
21100.W0225	M22x315	31	180	790
21100.W0226	M22x400	31	250	1070
21100.W0241	M24x100	35	45	290
21100.W0242	M24x125	35	70	380
21100.W0243	M24x160	35	100	470
21100.W0244	M24x200	35	125	580
21100.W0245	M24x250	35	160	730
21100.W0246	M24x315	35	200	920
21100.W0247	M24x400	35	250	1160
21100.W0248	M24x500	35	315	1460
21100.W0249	M24x630	35	315	1850
21100.W0271	M27x125	39	56	485
21100.W0272	M27x200	39	125	770
21100.W0273	M27x315	39	200	1110
21100.W0274	M27x400	39	250	1535
21100.W0275	M27x500	39	315	1930
21100.W0301	M30x125	43	56	590
21100.W0302	M30x200	43	125	950
21100.W0303	M30x315	43	200	1490
21100.W0304	M30x500	43	315	2360
21100.W0305	M30x700	43	400	3300
21100.W0306	M30x1000	43	400	4700
21100.W0361	M36x160	51	80	1100
21100.W0362	M36x200	51	125	1340
21100.W0363	M36x250	51	160	1710
21100.W0364	M36x315	51	200	2150
21100.W0365	M36x400	51	250	2700
21100.W0366	M36x500	51	315	3450
21100.W0367	M36x700	51	400	4750
21100.W0421	M42x315	59	200	2950
21100.W0422	M42x400	59	250	3750

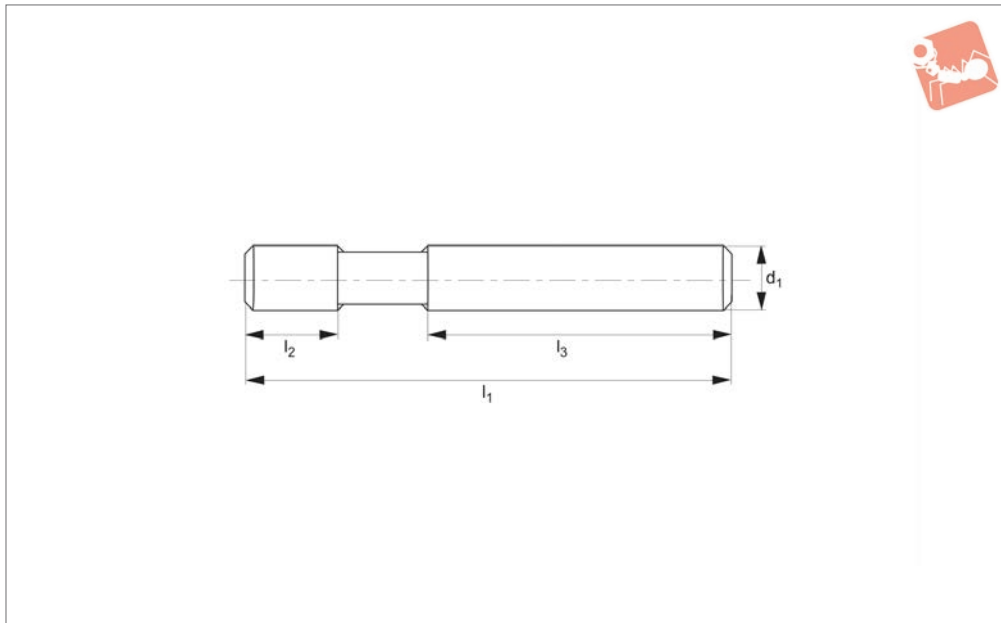
T-NUTS & T-BOLTS



Order No.	$d_1 \times l_1$	l_2	l_3	Weight g
21100.W0423	M42x500	59	315	4690



T-NUTS & T-BOLTS



21120

T-NUTS & T-BOLTS

Material

Forged steel, rolled thread, heat treated to tensile strength 12,9.

please refer to part no. 21100.

Tips

Please refer to Nos. 24000, 24300, 24400 and 25000 for appropriate T-nuts, fixture nuts, collar nuts and washers.

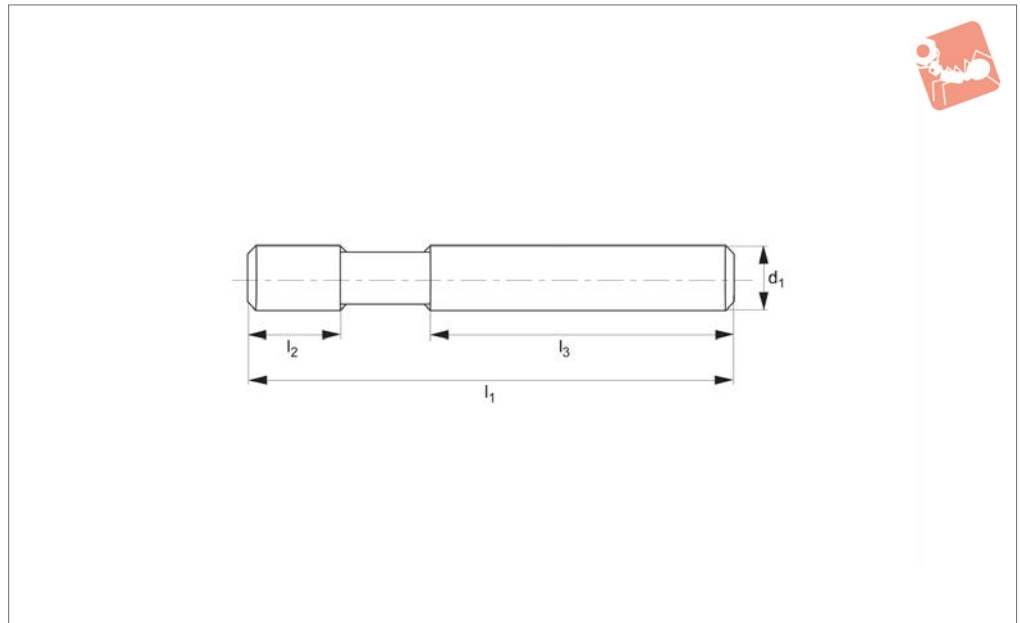
Technical Notes

For studs of tensile strength 8,8 and 10,9

Order No.	$d_1 \times l_1$	l_2	l_3	Weight g
21120.W0123	M12x80	15	50	55
21120.W0124	M12x100	15	63	70
21120.W0125	M12x125	15	75	90
21120.W0126	M12x160	15	100	113
21120.W0162	M16 x 80	19	50	105
21120.W0163	M16x100	19	63	130
21120.W0164	M16x125	19	75	160
21120.W0165	M16x160	19	100	218
21120.W0166	M16x200	19	125	280
21120.W0167	M16x250	19	160	325
21120.W0202	M20x125	27	70	255
21120.W0203	M20x160	27	100	330
21120.W0204	M20x200	27	125	410
21120.W0205	M20x250	27	160	510
21120.W0206	M20x315	27	200	640
21120.W0208	M20x500	27	315	1020
21120.W0243	M24x160	35	100	470
21120.W0244	M24x200	35	125	580
21120.W0245	M24x250	35	160	730
21120.W0246	M24x315	35	200	920
21120.W0247	M24x400	35	250	1160
21120.W0248	M24x500	35	315	1460



21150



T-NUTS & T-BOLTS

Material

Heat treated steel, blackened.
Strength class 10,9 for M6- M12.
Strength class 8,8 for M16.

Technical Notes

l_2 longer than DIN 6379 version, part no. 21100. Longer thread length provides added security.

Items marked * have full length threaded (hence l_2 and l_3 no longer valid).

Order No.	$d_1 \times l_1$	l_2	l_3	Weight g
21150.W1202	M20x125*	-	-	305
21150.W1207	M20x160*	-	-	328
21150.W1203	M20x200	55	100	404
21150.W1204	M20x250	55	125	585
21150.W1205	M20x315	55	180	740
21150.W1208	M20x400	55	250	943
21150.W1206	M20x500	55	315	1175
21150.W1246	M24x125*	-	-	365
21150.W1242	M24x160*	-	-	467
21150.W1247	M24x200*	-	-	585
21150.W1243	M24x250*	-	-	733
21150.W1248	M24x315	70	180	1075
21150.W1244	M24x400	70	250	1366
21150.W1249	M24x500	70	315	1700
21150.W0562	M 6x50	15	30	8
21150.W0563	M 6x63	15	40	11
21150.W0564	M 6x80	15	50	14
21150.W0582	M 8x63	20	40	19
21150.W0583	M 8x100	20	63	31
21150.W0584	M 8x160	20	100	49
21150.W0602	M10x80	25	50	39
21150.W0603	M10x100	25	75	49
21150.W0604	M10x125	25	75	61
21150.W0605	M10x160	25	100	78
21150.W0606	M10x200	25	125	98
21150.W0622	M12x63*	-	-	44
21150.W0623	M12x80*	-	-	56
21150.W0624	M12x100	30	63	70
21150.W0625	M12x125	30	75	88
21150.W0626	M12x160	30	100	112
21150.W0627	M12x200	30	125	140
21150.W0662	M16x80*	-	-	103
21150.W0664	M16x125	40	63	161
21150.W0665	M16x160	40	75	207



Studs

l_2 longer than DIN 6379 version

T-Nuts & T-Bolts



Order No.	$d_1 \times l_1$	l_2	l_3	Weight g
21150.W0666	M16x200	40	100	260
21150.W0667	M16x250	40	125	325