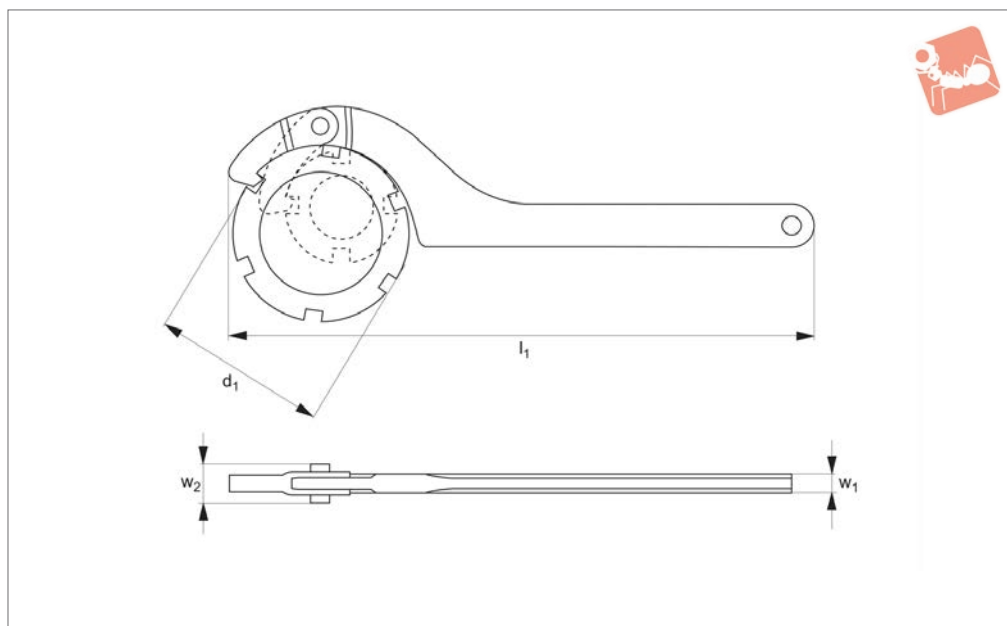




Hook Spanners - with Hook Nose hinge type - traditional

Spanners & Hook Spanners



95100

SPANNERS & HOOK SPANNERS

Material

Steel (C35/C45), hardened, blackened, or stainless steel.

Technical Notes

Spanners for adjustment of nuts to DIN 1804, DIN 981 and DIN 11851.

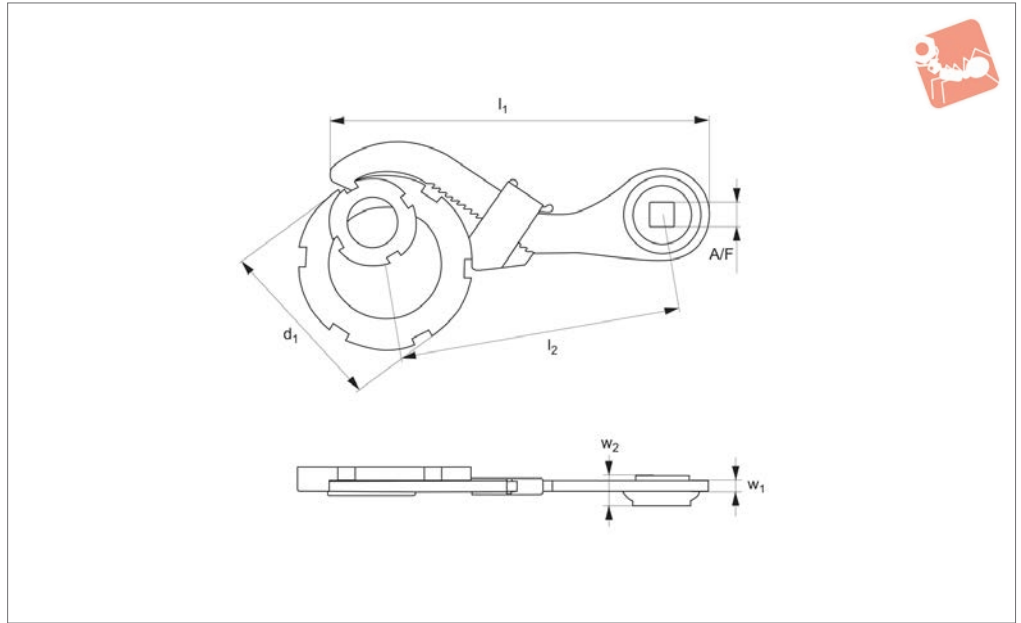
Rounded edges.

Order No.	Finish	d ₁ for nut Ø	Thread size of nut DIN 1804 M	Weight g
95100.W0035	Blackened steel	20-35	8-18	40
95100.W0060	Blackened steel	35-60	20-38	85
95100.W0070	Blackened steel	60-90	20-38	250
95100.W0075	Blackened steel	90-155	20-38	425
95100.W0080	Blackened steel	155-230	20-38	1015
95100.W0901	Stainless steel	20-35	8-18	35
95100.W0902	Stainless steel	35-60	20-38	75
95100.W0903	Stainless steel	60-90	40-60	185
95100.W0904	Stainless steel	90-155	58-110	320
95100.W0905	Stainless steel	155-230	105-170	860

Order No.	Thread size of nut DIN 981 M	DIN 11851-F DN	l ₁	w ₁	w ₂
95100.W0035	1-4	-	135	3	8
95100.W0060	5-8	-	175	4	11
95100.W0070	5-8	-	240	6	13
95100.W0075	5-8	-	300	7	15
95100.W0080	5-8	-	420	8	18
95100.W0901	1-4	-	135	3	8
95100.W0902	5-8	Oct-20	175	4	11
95100.W0903	9-13	25-40	240	5	13
95100.W0904	14-24	50-100	300	6	15
95100.W0905	24-36	125-150	420	8	18



95105



SPANNERS & HOOK SPANNERS

Material

Special steel, hardened and blued.

Technical Notes

Spanner for adjustment of nuts to DIN

1804 and DIN 981. For use with torque wrenches for more accurate installation and adjustment.

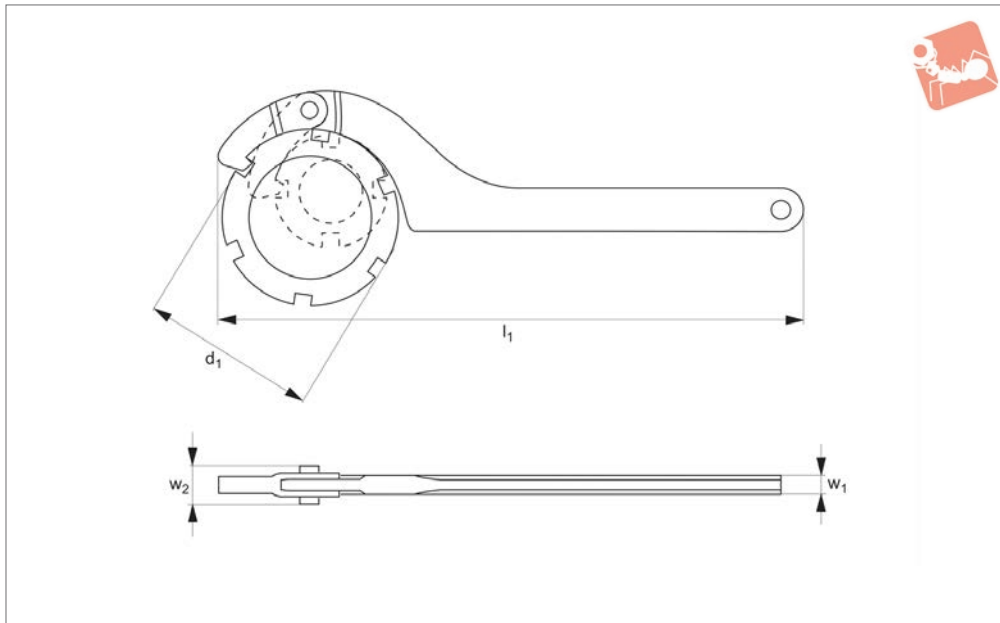
The required torque wrench value is dependent upon dimension l_2 . Please refer to the operating manual of your torque wrench.

dent upon dimension l_2 . Please refer to the operating manual of your torque wrench.

Order No.	d_1 for nut \emptyset	l_1	l_2	w_1	w_2	Drive A/F	Weight g
95105.W0042	20-42	135	100	4	16.0	1/2"	165
95105.W0090	45-90	192	150	6	16.0	1/2"	310
95105.W0165	95-165	272	200	10	16.0	1/2"	680
95105.W0166	95-165	298	220	10	20.5	3/4"	910



Hook Spanners - with Hook Nose hinge type - long version



95110

Material

Steel (C35/C45), edgewise ground, hardened.

Available in steel (blackened or nickel plated), or stainless steel.

Technical Notes

Spanners for adjustment of nuts to DIN

1804, DIN 981 and DIN 11851. Extended hook and shank, strengthened rivet, spring washer.

Rounded edges for better handling.

Tips

The long version spanner allows greater torque to be applied.

Order No.	Finish	d_1 for nut \varnothing	Thread size of nut DIN 1804 M	Weight g
95110.W0035	Blackened steel	20-35	8-18	85
95110.W0060	Blackened steel	35-60	20-38	170
95110.W0090	Blackened steel	60-90	40-60	360
95110.W0155	Blackened steel	90-155	58-110	610
95110.W0230	Blackened steel	155-230	105-170	1200
95110.W0535	Nickel plated steel	20-35	8-18	85
95110.W0560	Nickel plated steel	35-60	20-38	170
95110.W0590	Nickel plated steel	60-90	40-60	360
95110.W0655	Nickel plated steel	90-155	58-110	610
95110.W0730	Nickel plated steel	155-230	105-170	1200
95110.W0901	Stainless steel	20-35	8-18	85
95110.W0902	Stainless steel	35-60	20-38	170
95110.W0903	Stainless steel	60-90	40-60	360
95110.W0904	Stainless steel	90-155	58-110	580
95110.W0905	Stainless steel	155-230	105-170	1200

Order No.	Thread size of nut DIN 981 M	DIN 11851-F DN	l_1	w_1	w_2
95110.W0035	1-4	-	165	4	10.5
95110.W0060	5-8	-	210	5	12.5
95110.W0090	9-13	-	280	6	14.5
95110.W0155	14-24	-	335	7	17.5
95110.W0230	24-36	-	460	8	17.5
95110.W0535	1-4	-	165	4	10.5
95110.W0560	5-8	-	210	5	12.5
95110.W0590	9-13	-	280	6	14.5
95110.W0655	14-24	-	335	7	17.5
95110.W0730	24-36	-	460	8	17.5
95110.W0901	1-4	-	165	4	10.5
95110.W0902	5-8	Oct-20	210	5	12.5
95110.W0903	9-13	25-40	280	6	14.5

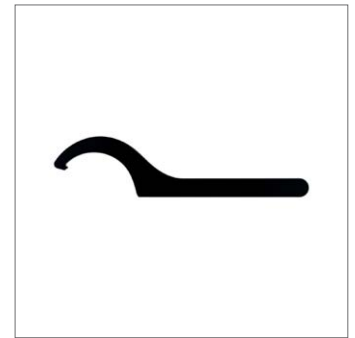
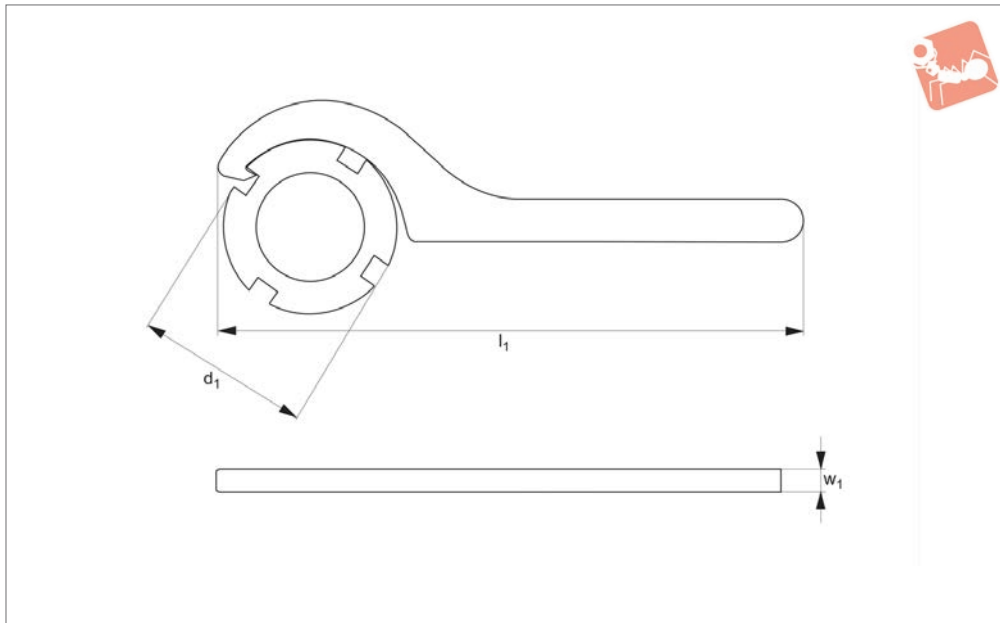


Order No.	Thread size of nut DIN 981 M	DIN 11851-F DN	l_1	w_1	w_2
95110.W0904	14-24	50-100	335	6	17.5
95110.W0905	24-36	125-150	460	8	17.5



Hook Spanners - with Hook Nose fixed

Spanners & Hook Spanners



95400

SPANNERS & HOOK SPANNERS

Material

Steel (C35/C45), hardened and blackened.
Edgewise ground.

request, subject to minimum order quantities.

DIN 981.

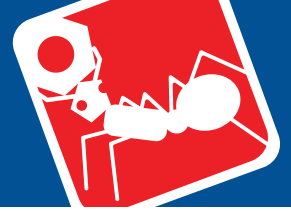
Tips

Items marked (), width varies from DIN standard. For slotted nuts to DIN 1804 and

Technical Notes

To DIN 1810A. Specials available on

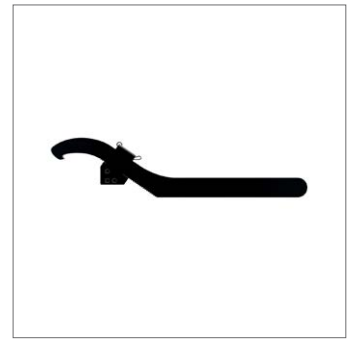
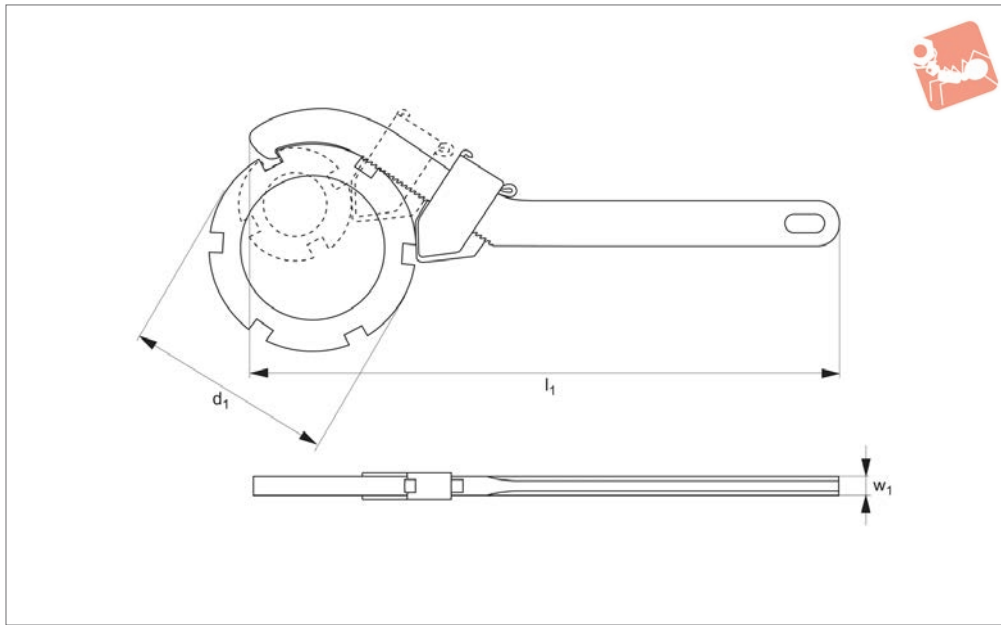
Order No.	d ₁ for nut Ø	l ₁	w ₁	Weight g
95400.W0014	12-24	110	3	25
95400.W0020	16-20	110	3	25
95400.W0028	25-28	136	4	45
95400.W0032	30-32	136	4	50
95400.W0036	34-36	170	5	90
95400.W0038	(38-45)	170	5	95
95400.W0042	40-42	170	5	90
95400.W0050	45-50	206	6	155
95400.W0055	52-55	206	6	160
95400.W0062	58-62	240	7	260
95400.W0064	(65-70)	240	7	255
95400.W0075	68-75	240	7	255
95400.W0090	80-90	280	8	410
95400.W0092	(85-92)	280	8	410
95400.W0100	95-100	280	8	405
95400.W0102	(98-105)	290	8	405
95400.W0115	110-115	335	10	745
95400.W0130	120-130	335	10	720
95400.W0146	135-145	385	10*	1000
95400.W0166	155-165	385	10*	965
95400.W0196	180-195	470	10*	1500
95400.W0221	205-220	470	10*	1580
95400.W0246	230-245	568	10*	2250
95400.W0271	260-270	568	10*	2250
95400.W0300	280-300	680	15	5150
95400.W0320	300-320	695	15	5100
95400.W0345	320-345	695	15	5200
95400.W0375	350-375	735	15	5200
95400.W0400	380-400	770	15	6700
95400.W0500	480-500	988	20	13000





Hook Spanners - with Hook Nose

adjustable - spring loaded



95420

Material

Steel (C35/C45), hardened and blackened.

Tips

For slotted nuts DIN 1804 and DIN 981.

Order No.	d ₁ for nut Ø	l ₁	w ₁	Weight g
95420.W0002	20-42	180	4	100
95420.W0005	45-90	240	6	250
95420.W0009	95-165	335	10	710





Applications and Size Ranges Hook Wrenches DIN 1810A

95400

SPANNERS & HOOK SPANNERS

Size	DIN 1804	DIN 981	DIN 981	DIN 981	KMT	DIN 70852	DIN 11851-F
	M	M	KM	KML		M	DN
12 - 14	-	-	-	-	-	-	-
16 - 20	6 8	-	-	-	-	10	-
25 - 28	10 12	15 17	2 3	-	- 0	- 16	-
30 - 32	14 16	- 20	- 4	-	- 1	- 20	-
34 - 36	18 20	-	-	-	-	- 22	-
38 - 45	26	25 30	5 6	-	-	24 -	10 15
40 - 42	22 24	-	-	-	- 4	26 28	-
45 - 50	26 28 - 30	30 -	6 -	-	-	- 35	-
52 - 55	32 35	35 -	7 -	-	-	-	20
58 - 62	38 40 - 42	40 -	8 -	-	-	- 45	- 25
65 - 70	-	45 50	9 10	-	- 9	48 52	- 32
68 - 75	45 48 - 50	- 55	- 11	-	- 10	50 55	-
80 - 90	52 - 55 58 - 60	60 -	12 -	-	- 12	60 70	-
85 - 92	-	65 70	13 14	-	-	65 -	- 50
95 - 100	62 - 65 68 - 70	-	-	-	13 14	75 80	-
98 - 105	-	75 80	15 16	-	- 15	-	-
110 - 115	72 - 75 80	85 -	17 -	-	- 16	-	65
120 - 130	85 90	90 100	18 20	-	17 19	- 105	-
135 - 145	95 100	110 120	22 -	- 24	20 22	- 115	-
155 - 165	105 - 110 115 - 120	120 - 130 130 - 140	24 26	26 28	24 26	125 135	-
180 - 195	125 - 130 140	140 - 150 150	28 30	30 -	- 32	150 -	-
205 - 220	150 160	- 170 - 190	- 34	- 38	34 -	175 180	-
230 - 245	170 180	180 -	36 -	-	-	190 -	-
Size	DIN 1804	DIN 981	DIN 981				
	M	Tr	HM				
260 - 270	190 200	220x4 210x4	3044 42 T	-	-	-	-
280 - 300	-	220x4 140x4	44 T 48 T	-	-	-	-
300 - 320	-	240x4 250x4	48 T 50 T	-	-	-	-
320 - 345	-	250x4 -	50 T -	-	-	-	-
350 - 375	-	-	-	-	-	-	-
380 - 400	-	-	-	-	-	-	-
480 - 500	-	-	-	-	-	-	-

We specialise in the non-standard, supplying a range of DIN hand tools from socket wrenches to hook spanners, pin spanners to drill drifts, and beyond. These parts have various applications for DIN and other standard nuts and tooling. **The following pages cross reference the suitability of our hand tools to specific DIN sizings.**

Adjustable Hook Wrenches with Nose

Size	DIN 1804 M	DIN 981 M	DIN 981 KM	DIN 981 KML	DIN 11851-F DN	95420 and 95105
20 - 42	8 - 24	12 - 25	1 - 5	-	10	
45 - 90	26 - 60	30 - 65	6 - 13	-	15 - 50	
95 - 165	62 - 120	75 - 140	15 - 26	24 - 28	65 - 100	

Hook Wrenches

Size	DIN 1804 M	DIN 981 M	DIN 981 KM	DIN 981 KML	DIN 11851-F KMT	DIN 11851-F DN	DIN 70852 M	95100 and 95110
20 - 35	8 - 18	12 - 20	1 - 4	-	0 - 2	-	10 - 20	
35 - 60	20 - 38	25 - 40	5 - 8	-	3 - 7	10 - 20	22 - 42	
60 - 90	40 - 60	45 - 65	9 - 13	-	8 - 12	25 - 40	42 - 70	
90 - 155	58 - 110	70 - 130	14 - 24	24, 26	13 - 24	50 - 100	70 - 125	
155 - 230	105 - 170	120 - 190	24 - 36	26 - 38	24 - 38	125 - 150	125 - 190	

Hook Wrenches DIN 1810B

1810B Size	DIN 1816 M	776 Size	1810B Size	DIN 1816 M	776 Size	95151, 95152, 95450, 95154
16 - 18	6	16 - 22		72	95 - 155	
20 - 22	8	22 - 35	110 - 115	75	95 - 155	
25 - 28	10	22 - 35		80	95 - 155	
30 - 32	12	22 - 35	120 - 130	85	95 - 155	
	14	22 - 35		90	95 - 155	
	16	22 - 35	135 - 145	95	95 - 155	
34 - 36	18	22 - 35		100	95 - 155	
	20	35 - 60		105	95 - 155	
40 - 42	22	35 - 60	155 - 165	110	95 - 155	
	24	35 - 60		115	165 - 230	
	26	35 - 60		120	165 - 230	
45 - 50	28	35 - 60		125	165 - 230	
	30	35 - 60	180 - 195	130	165 - 230	
	32	35 - 60		140	165 - 230	
52 - 55	35	35 - 60	205 - 220	150	165 - 230	
	38	35 - 60		160	165 - 230	
58 - 62	40	60 - 90	230 - 245	170	165 - 230	
	42	60 - 90		180	-	
	45	60 - 90	260 - 270	190	-	
68 - 75	48	60 - 90		200	-	
	50	60 - 90				
	52	60 - 90				
80 - 90	55	60 - 90				
	58	60 - 90				
	60	60 - 90				
95 - 100	62	95 - 155				
	65	95 - 155				
	68	95 - 155				
	70	95 - 155				