

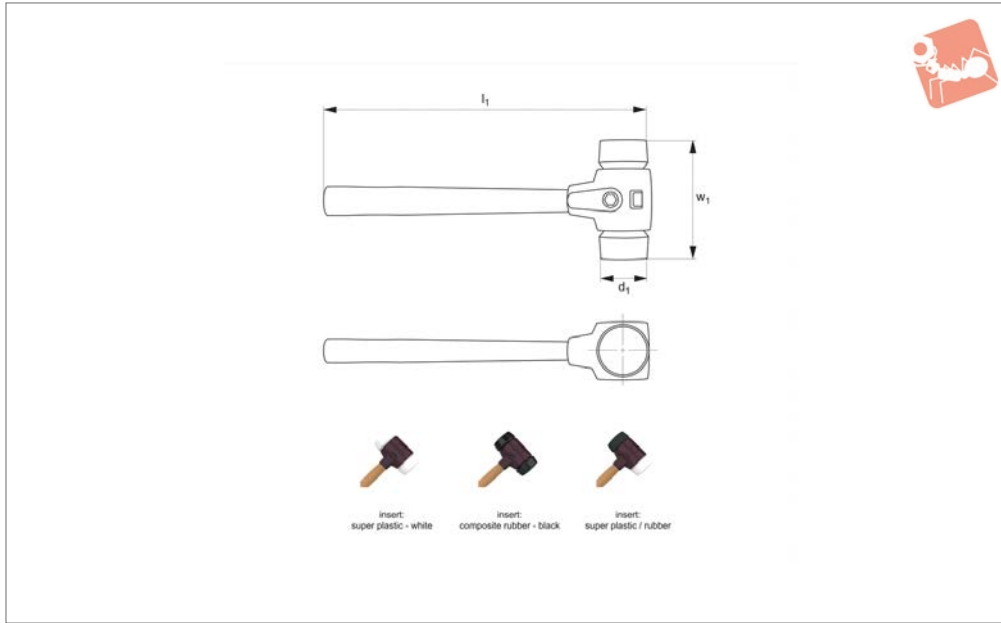


Simplex Sledge Hammer - Complete

cast iron housing - wooden handle



Mallets & Hammers



98201

MALLETS & HAMMERS

Material

Handle: wood.
Housing: cast iron.
Inserts: see table.

modular system with replaceable handle, housing and inserts. Suitable replacement items for Simplex sledge hammer 98201 are;

- inserts no. 98204

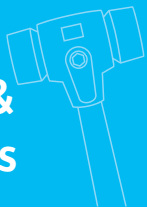
Tips

Simplex sledge hammers are a flexible

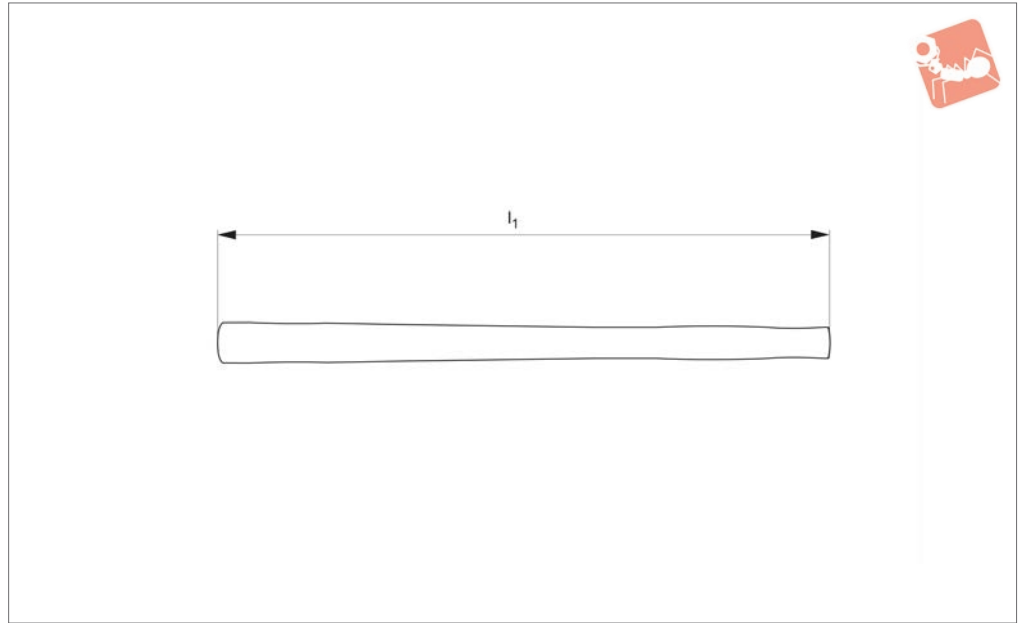
- handle no. 98202
- housing no. 98002

Order No.	Inserts	Ø d ₁	w ₁	l ₁	Weight g
98201.W0081	Superplastic - White	80	175	800	3090
98201.W0100	Superplastic - White	100	200	1000	5200
98201.W0125	Superplastic - White	125	215	1040	7700
98201.W0140	Superplastic - White	140	215	1045	7900
98201.W1081	Composite Rubber - Black	80	175	800	3270
98201.W1100	Composite Rubber - Black	100	200	1000	5500
98201.W2081	Composite Rubber Superplastic	80	175	800	3170
98201.W2100	Composite Rubber Superplastic	100	200	1000	5350





98202



Material
Wood.

Order No.	For mallet head dia. d_1	l_1
98202.W0208	80	700
98202.W0210	100/125/140	900

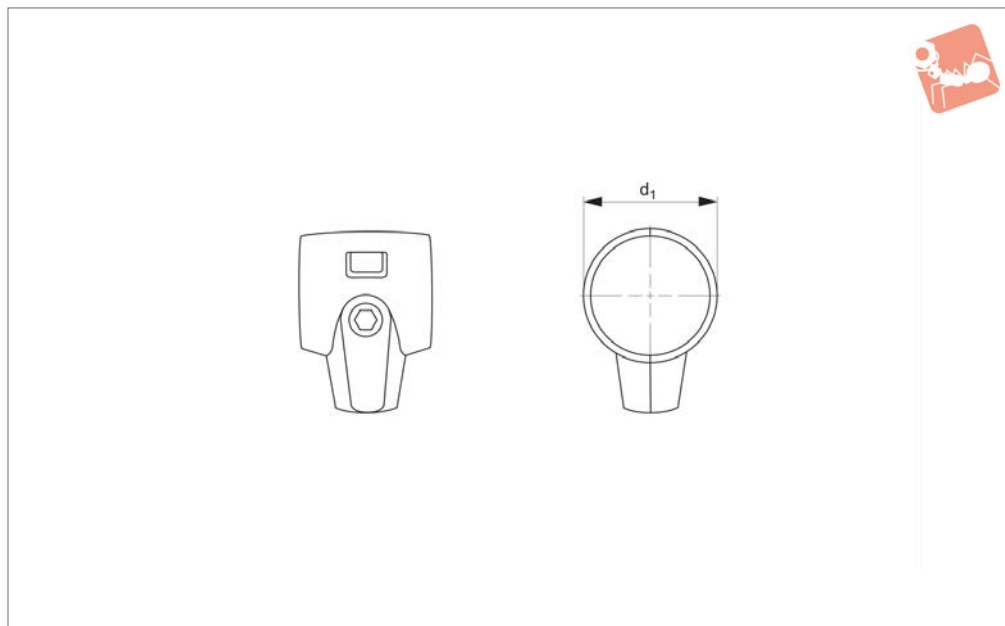


Simplex Sledge Hammers

housing for no. 98201



Mallets & Hammers



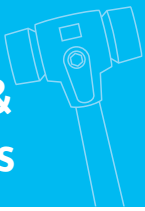
98203

MALLETS & HAMMERS

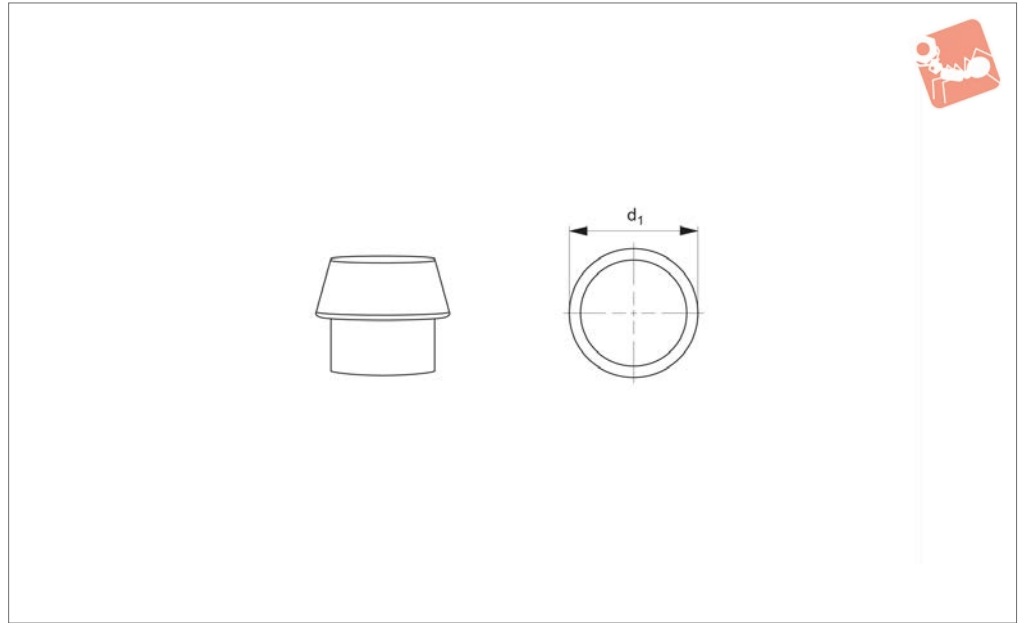
Material

Cast iron housing (2 parts).

Order No.	For mallet head dia. d_1	d_1
98203.W0260	30	30
98203.W0270	40	40
98203.W0280	50	50
98203.W0290	60	60
98203.W0300	80	80
98203.W0310	100	100
98203.W0325	125	125
98203.W0340	140	140



98204



Material

Black: composite rubber.

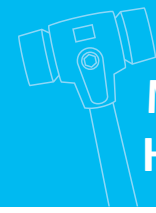
White: superplastic.

Order No.	For mallet head dia. d_1	Insert type
98204.W0288	80	Composite Rubber - Black
98204.W0588	80	Superplastic - White
98204.W0590	100	Superplastic - White
98204.W0592	125	Superplastic - White
98204.W0594	140	Superplastic - White

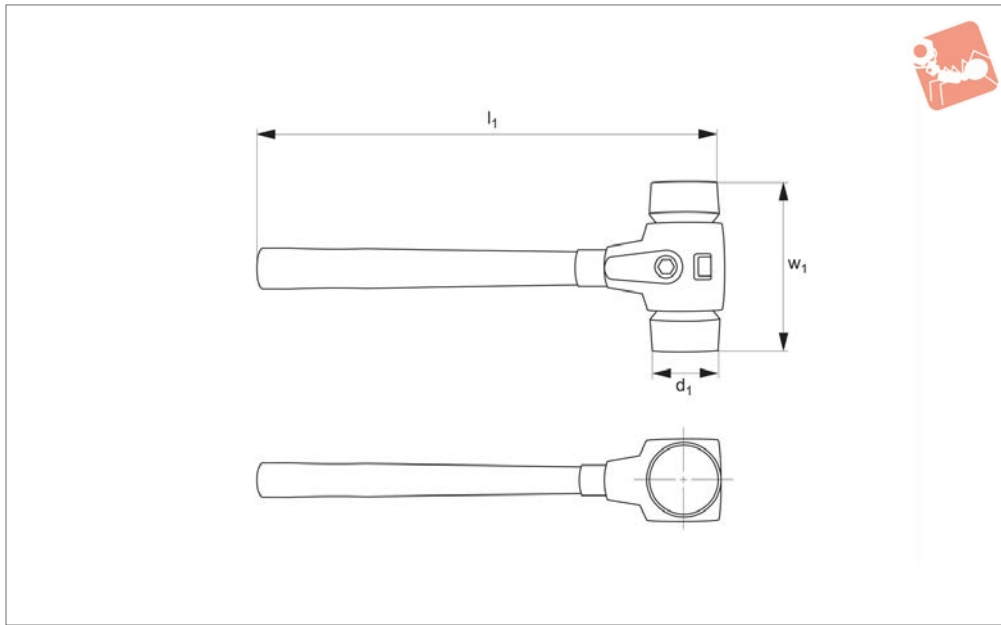


Simplex Sledge Hammer - Complete

reinforced cast iron housing - fibreglass handle



Mallets & Hammers



98221

MALLETS & HAMMERS

Material

Insert: aluminium.
Handle: fibreglass.

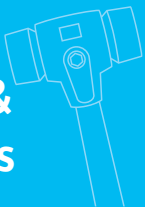
modular system with replaceable handle, housing and inserts. Suitable replacement items for Simplex sledge hammer 98221 are;
- handle no. 98223

- housing no. 98102
- inserts no. 98224

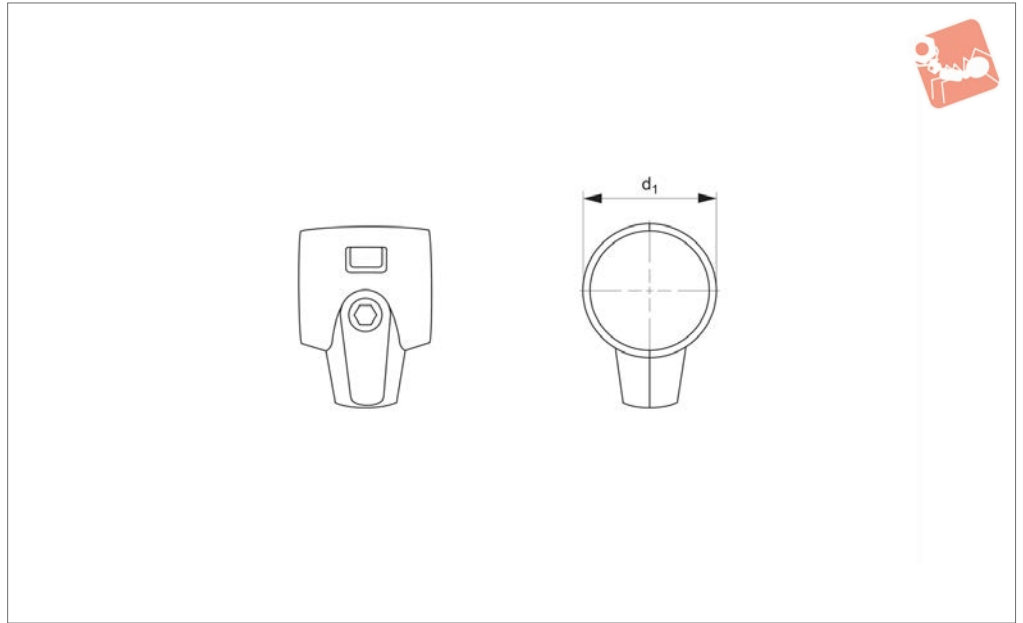
Tips

Simplex sledge hammers are a flexible

Order No.	$\varnothing d_1$	w_1	l_1	Weight g
98221.W0081	80	175	800	4650



98222



Material

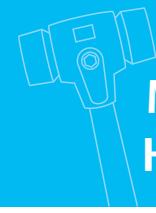
Reinforced housing (2 parts, malleable cast iron).

Order No.	For mallet head dia. d_1
98222.W0141	40
98222.W0151	40
98222.W0161	50
98222.W0171	60
98222.W0181	80

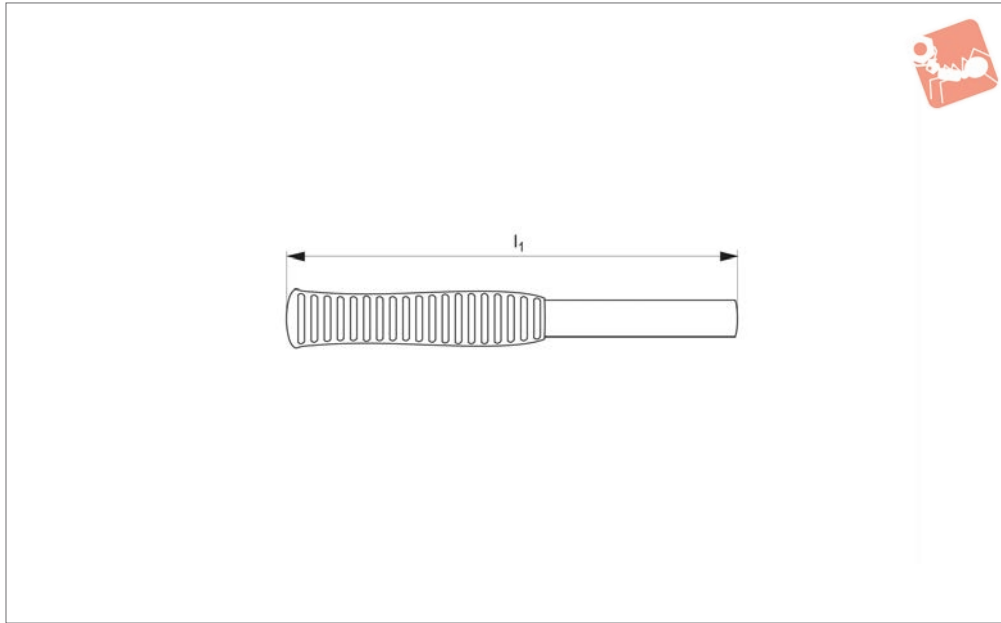


Handle - for Simplex Sledge Hammers

fibreglass - for no. 98221



Mallets & Hammers



98223

MALLETS & HAMMERS

Material

Handle: fibreglass.
Grip: rubber.

Important Notes

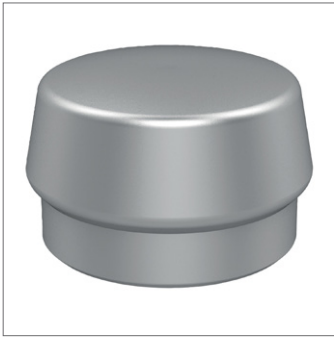
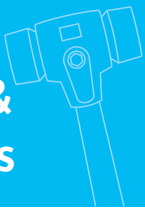
Fibreglass handles must only be mounted on reinforced malleable cast iron housing -

black, part no. 98102.W0181.

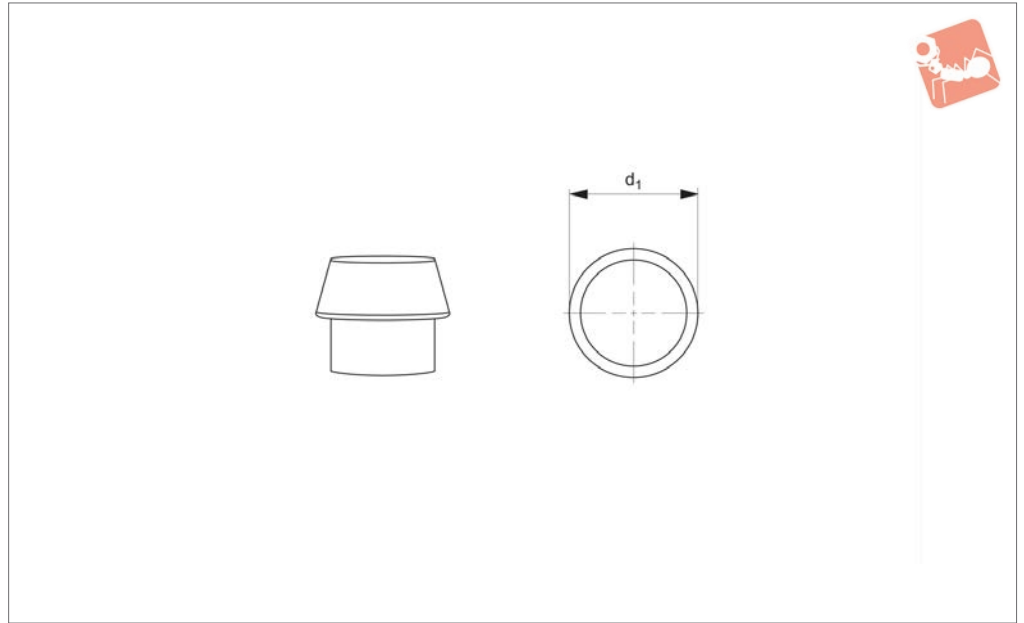
Order No.
98223.W0208

For mallet head dia. d_1
80

l_1
700



98224



Material
Aluminium.

Order No.
98224.W0788

For mallet head dia. d_1
80

Insert type
Aluminium

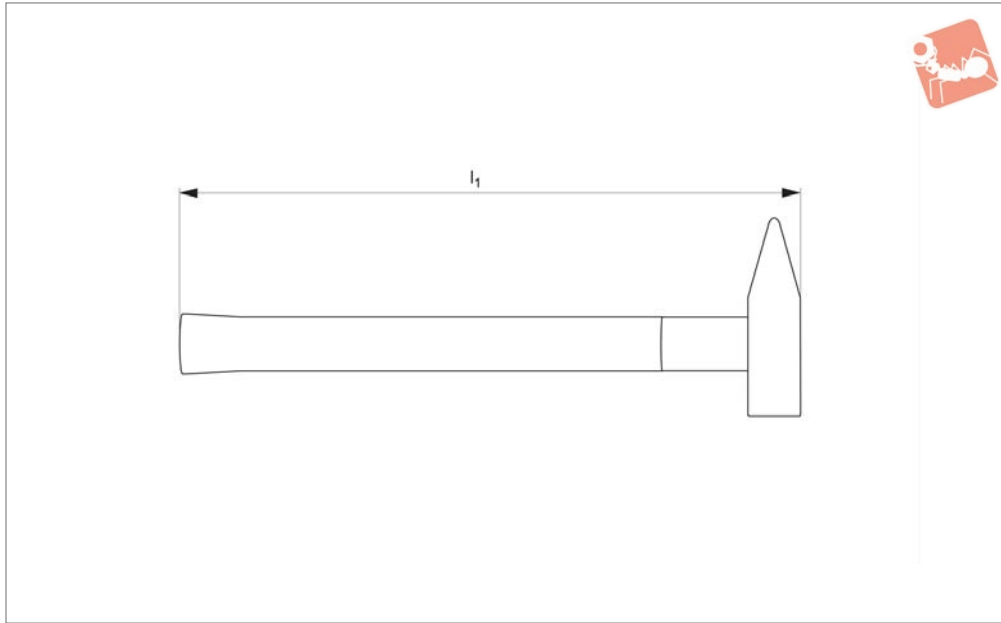


Maxx Craft Hammer - Complete

cast iron head - wooden handle



Mallets & Hammers



98501

MALLETS & HAMMERS

Material

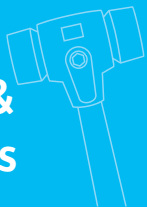
Head: drop-forged, high quality steel. Face ground, chamfered edge.
Handle: hickory wood, with protective

rubber sleeve to reduce rebound and increase power of impact while reducing shock and vibration in the user's arm.

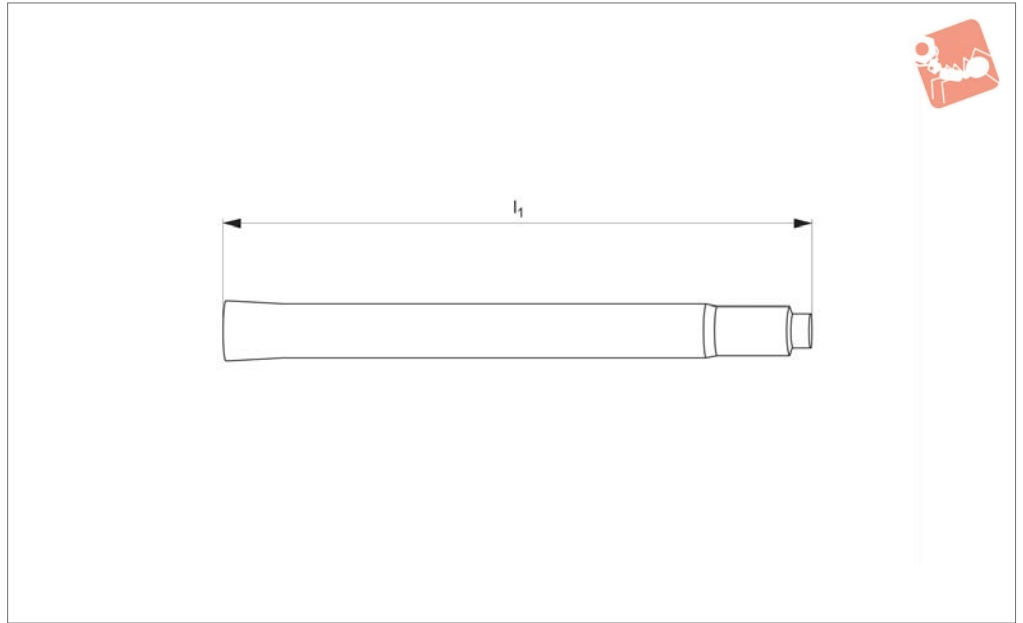
Tips

For replacement handle see;
- inserts no. 98502

Order No.	h_1	Weight g
98501.W0030	300	300
98501.W0032	320	500
98501.W0035	350	800
98501.W0036	360	1000



98502



Material
Hickory wood.

Order No.	For	l_1	Weight g
98502.W0203	MaxxCraft 300	265	100
98502.W0205	MaxxCraft 500	280	120
98502.W0208	MaxxCraft 800	305	170
98502.W0210	MaxxCraft 1000	310	180



Application Selection Chart

Application selection chart

TPE-soft	Com-posite rubber	TPE-mid	Plastic	Super plastic	Nylon	Alu	Copper	98301 wood	98301 steel	98301 fibre	98310	98321	98401	98330
Soft	Med	Med	Hard	Med	Hard	Hard	Hard							
Range of inserts for Simplex mallets 98001 to 98224								Range of mallet handle types						

Construction applications

	TPE-soft	Com-posite rubber	TPE-mid	Plastic	Super plastic	Nylon	Alu	Copper	98301 wood	98301 steel	98301 fibre	98310	98321	98401	98330
Paving		•	•		•										
Floor tiling	•		•												
Curbstone setting / Masonry work		•			•										
Concrete form set-up		•		•											
Scaffold construction		•		•	•	•									
Tent and hall construction					•	•			•						
Gardening and landscaping		•			•										
Home construction		•	•												

Metal-working industry applications

	TPE-soft	Com-posite rubber	TPE-mid	Plastic	Super plastic	Nylon	Alu	Copper	98301 wood	98301 steel	98301 fibre	98310	98321	98401	98330
Automotive assembly and repair work				•	•	•	•	•	•	•	•	•	•	•	•
Positioning of workpieces in a vice									•	•	•	•	•		
Straightening work							•		•	•	•	•			
Joining of workpieces						•			•	•	•	•		•	•
Repair and maintenance work				•				•	•	•	•	•		•	•
Car body work				•	•		•		•	•	•	•	•		•
Sheet metal working				•	•	•			•	•	•	•	•		•
Dent removal	•	•		•	•	•						•	•		•
Housing assembly					•	•			•	•	•		•	•	•
Mould construction						•	•								•
Assembly of sharp-edged workpieces					•	•			•	•	•				•

Wood-working applications

	TPE-soft	Com-posite rubber	TPE-mid	Plastic	Super plastic	Nylon	Alu	Copper	98301 wood	98301 steel	98301 fibre	98310	98321	98401	98330
Furniture assembly	•		•										•		•
Window and door construction	•		•										•		•
Prefabricated house construction		•													
Joiner's work	•		•										•		•
Carpenter's work		•													
Floor parqueting / laminating													•		

Agriculture and forestry applications

	TPE-soft	Com-posite rubber	TPE-mid	Plastic	Super plastic	Nylon	Alu	Copper	98301 wood	98301 steel	98301 fibre	98310	98321	98401	98330
Fence construction		•							•						
Wood splitting with wedge					•				•						
Maintenance and repair work on agricultural machinery						•			•						•